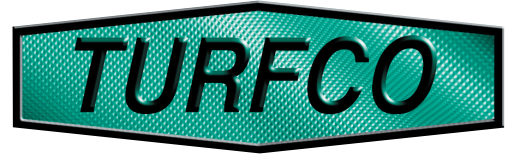


TRI WAVE[™]
60" Inch Seeder



**OPERATOR'S MANUAL
MAINTENANCE MANUAL
PARTS LIST**

TURFCO[®]

TRI WAVE[™]
60" Inch Seeder

Product Number 85850
Starting Serial Number H00801

PATENT PENDING

Manual Number 664681

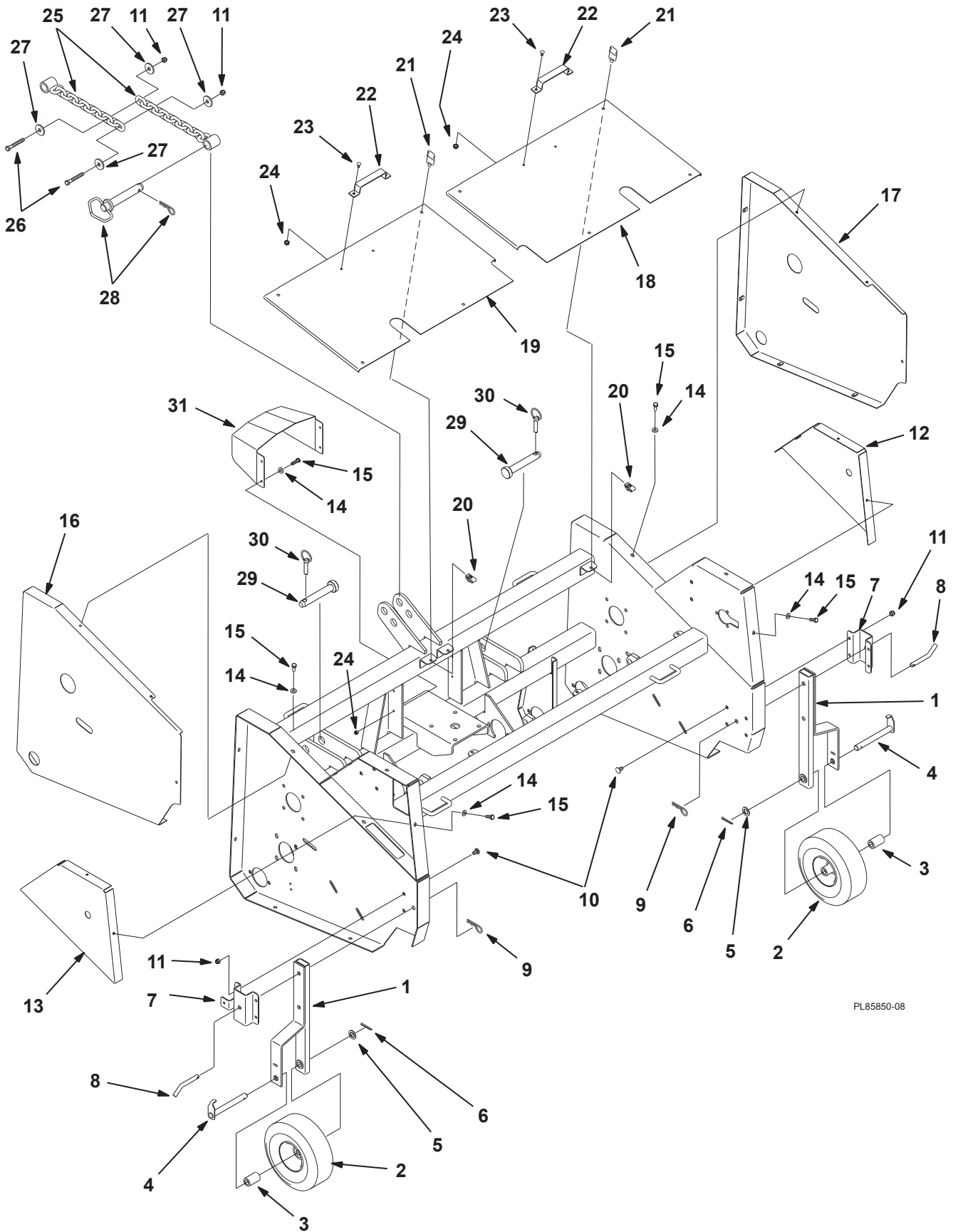


DANGER - IF INCORRECTLY USED THIS MACHINE CAN CAUSE SEVERE INJURY. THOSE WHO USE AND MAINTAIN THIS MACHINE SHOULD BE TRAINED IN ITS PROPER USE, WARNED OF ITS DANGERS, AND SHOULD READ THE ENTIRE MANUAL BEFORE ATTEMPTING TO SET-UP, OPERATE OR SERVICE THE MACHINE.

TURFCO MFG. INC.

1655 101st. Avenue NE • Minneapolis, MN 55449-4420 USA
Phone (763) 785-1000 • FAX (763) 785-0556 • www.turfc.com
2006 Turfco Mfg., Inc.

Guards, Shields and Storage Wheels

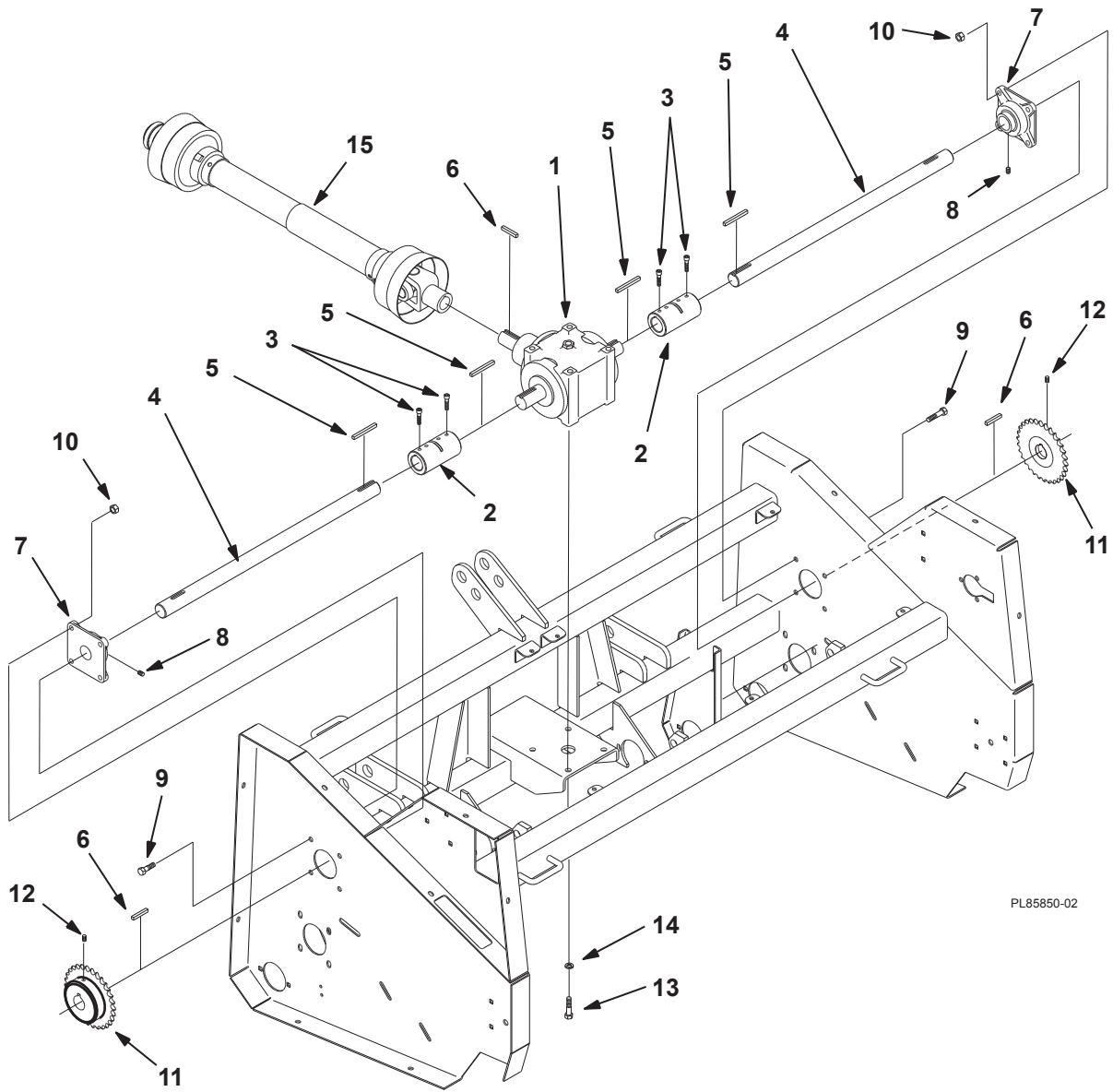


PL85850-08

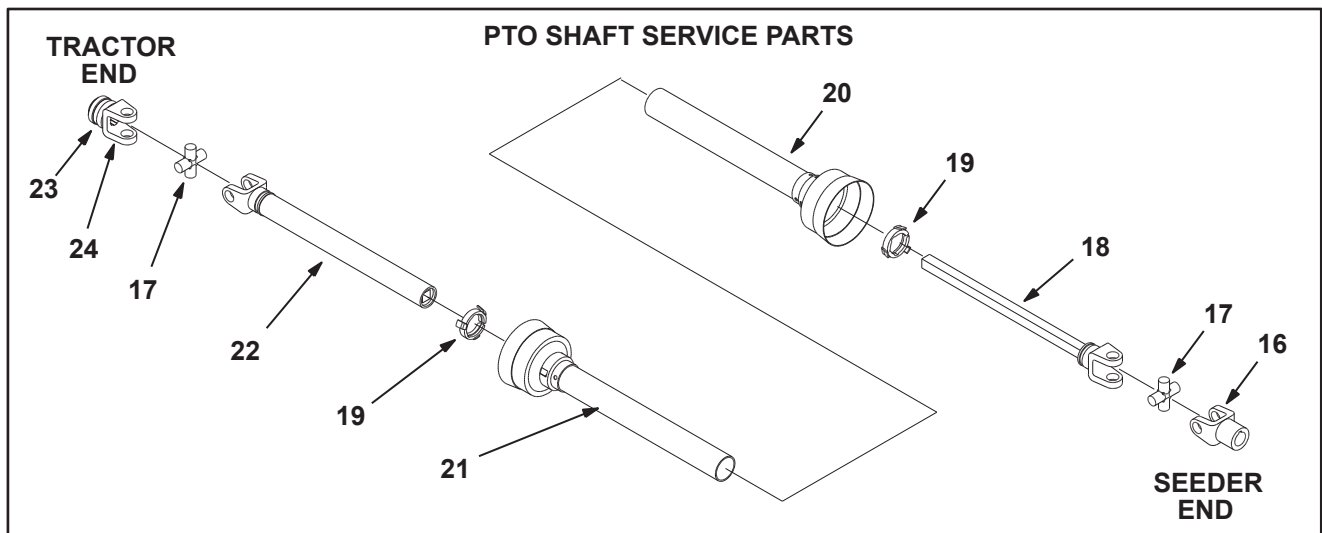
Guards, Shields and Storage Wheels

Item No.	Part No.	Description	Qty.
1	664402	Wheel Caster	2
2	661300	Wheel and Tire Assembly.....	2
3	664401	Spacer.....	2
4	664406	Axle, Caster Wheel	2
5	660836	Washer, Flat, 49/64" ID x 1-5/16" OD x 3/32" Thick	2
6	460052	Pin, Cotter, 3/16" x 1"	2
7	664409	Gauge, Wheel	2
8	664419	Pin, Wheel Retainer	2
9	660076	Pin, Hair, .148 Wire x 2-3/4" Long	2
10	657766	Bolt, Carriage, 3/8"-16 x 3/4"	8
11	444810	Nut, Hex, 3/8"-16 Flexloc	10
12	664542	Cover, Upper Side Panel, Right Hand.....	1
13	664547	Cover, Upper Side Panel, Left Hand	1
14	453023	Washer, Flat, 9/32" ID x 5/8" OD x 1/16" Thick	24
15	400108	Screw, Hex Head, 1/4"-20 x 3/4"	24
16	664417	Cover, Side, Left Hand	1
17	664414	Cover, Side, Right Hand.....	1
18	664549	Panel, Front Cover, Right Hand	1
19	664551	Panel, Front Cover, Left Hand.....	1
20	662620	Nut, 1/4"-20 U-Type.....	8
21	663971	Screw, T-Handle Knob, 1/4"-20	8
22	664550	Handle, Cover	2
23	658224	Bolt, Carriage, 1/4"-20 x 1/2"	4
24	444830	Nut, Hex, 1/4"-20 Flexloc	8
25	664675	Flex Link.....	2
26	499480	Screw, Hex Head, 3/8"-16 x 2-3/4"	2
27	499002	Washer, Flat, 1/2" ID x 1-1/2" OD 5/32" Thick.....	4
28	661727	Pin, Hitch, Includes Hair Pin Cotter.....	1
29	664618	Pin, Lower Link Arm	2
30	658297	Pin, Lynch	2
31	664835	Guard, PTO Shaft	1

PTO, Gearbox and Drive Shafts



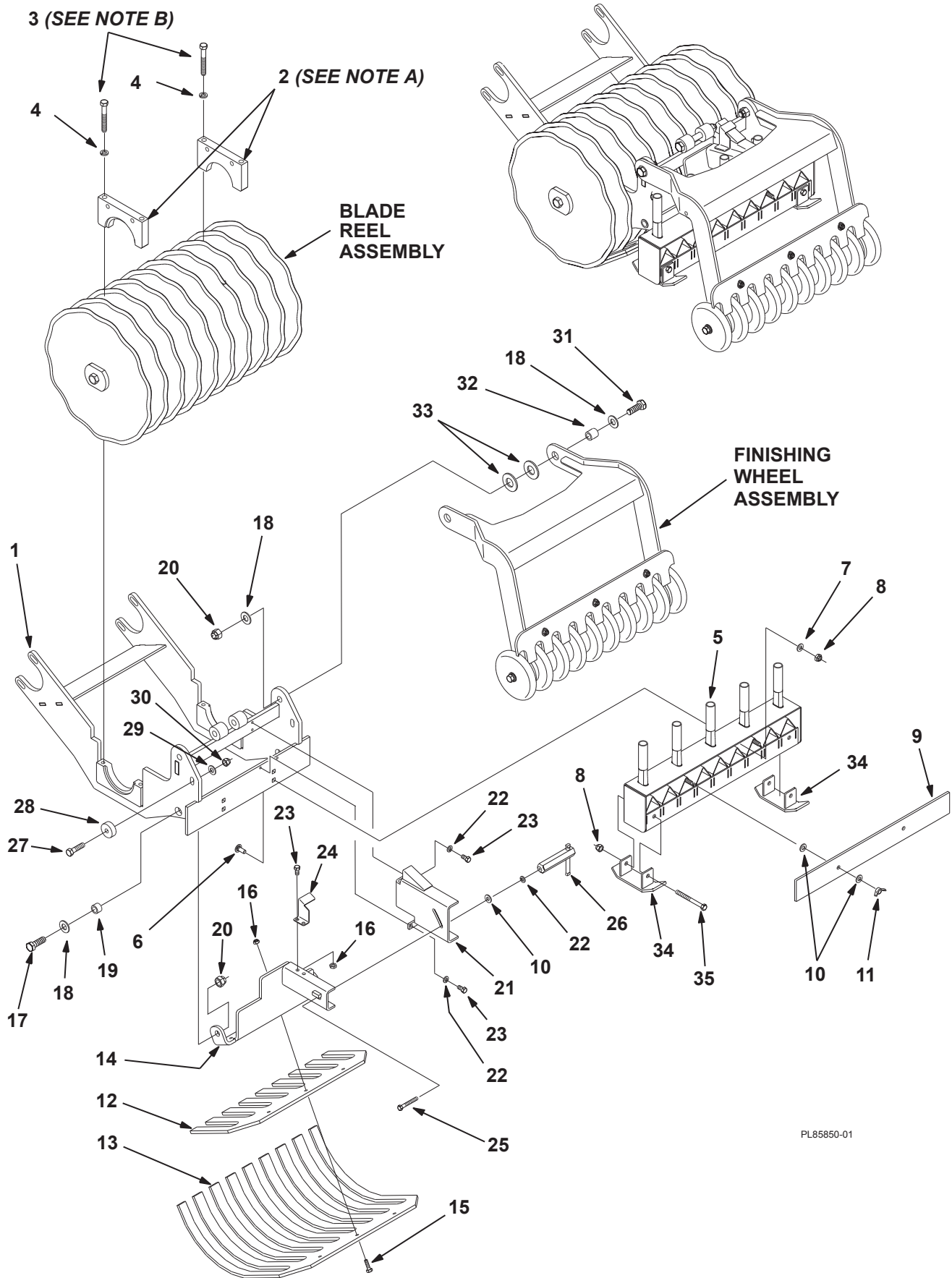
PL85850-02



PTO, Gearbox and Drive Shafts

Item No.	Part No.	Description	Qty.
1	664413	Gearbox, Right Angle	1
2	664397	Coupling, Includes Screws	2
3	-----	Screw, Socket Head, 1/4"-28 x 5/8"	8
4	664389	Shaft, Drive	2
5	499166	Key, Square, 5/16" x 1-3/4"	4
6	657852	Key, Square, 5/16" x 1-1/4"	3
7	664398	Bearing	2
8	415561	Screw, Set, 5/16"-24 x 5/16"	4
9	400374	Screw, Hex Head, 7/16"-20 x 1-1/4"	8
10	444832	Nut, Hex, 7/16"-20 Flexloc	8
11	664394	Sprocket, 60B25	2
12	415553	Screw, Set, 5/16"-18 x 5/16"	4
13	400404	Screw, Hex Head, 1/2"-13 x 1"	4
14	446154	Washer, Lock, 1/2"	4
15	664412	PTO Drive Shaft	1
16	664840	Yoke (Seeder End)	1
17	664841	Bearing Kit, Includes Cross	2
18	664842	Yoke and Shaft	1
19	664843	Guard Repair Kit	2
20	664844	Guard, Outer	1
21	664845	Guard, Inner	1
22	664846	Yoke and Tube	1
23	664847	Spring-Lok Repair Kit (Tractor End Yoke)	1
24	664848	Spring-Loc Yoke Assembly (Tractor End Yoke)	1

Cutting Head Assembly



PL85850-01

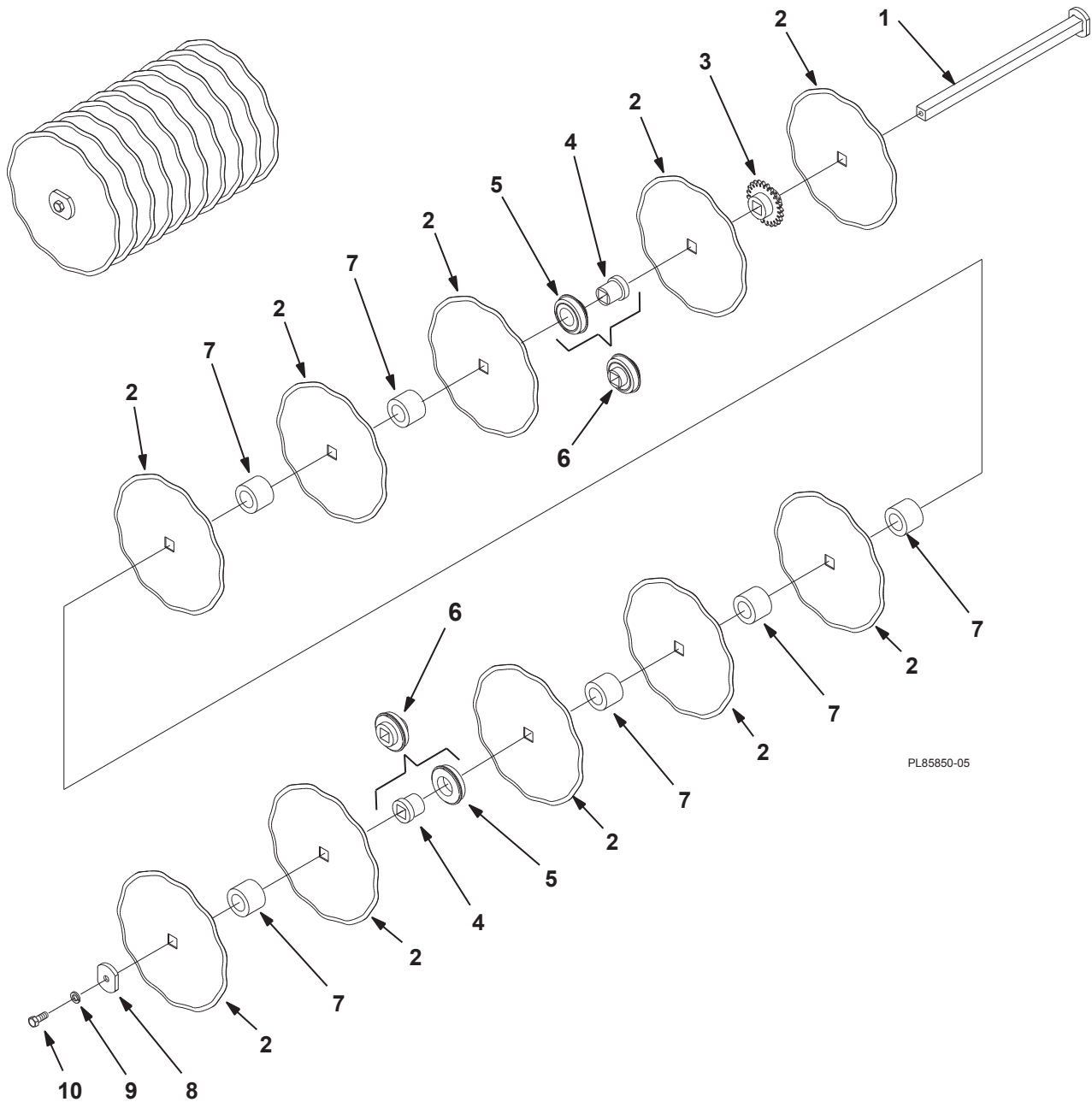
Cutting Head Assembly

Item No.	Part No.	Description	Qty.
1	664553	Frame, Blade Support.....	1
2	664560	Top Cap, Bearing (See Note A)	2
3	664588	Screw, Hex Head, 3/8"-16 x 3-1/2" (See Note B)	4
4	446142	Washer, Lock, 3/8".....	4
5	664364	Box, Seed Distribution.....	1
6	658240	Bolt, Carriage, 5/16"-18 x 3/4".....	2
7	453009	Washer, Flat, 5/16" SAE.....	2
8	444808	Nut, Hex, 5/16"-18 Flexloc.....	4
9	664370	Cover, Plexiglas.....	1
10	453023	Washer, Flat, 9/32" ID x 5/8" OD x 1/16" Thick.....	5
11	658238	Wing Nut, 5/16"-18.....	2
12	664626	Plate, Finger Support.....	1
13	664625	Plate, Depth.....	1
14	664573	Pivot, Depth Adjuster.....	1
15	400112	Screw, Hex Head, 1/4"-20 x 1".....	3
16	444830	Nut, Hex, 1/4"-20 Flexloc.....	5
17	400442	Screw, Hex Head, 1/2"-20 x 1-1/2".....	2
18	660832	Washer, Flat, 1/2" SAE.....	6
19	664587	Tube, Spacer.....	2
20	444816	Nut, Hex, 1/2"-20 Flexloc.....	4
21	664582	Clamp, Handle.....	1
22	446128	Washer, Lock, 1/4".....	5
23	400106	Screw, Hex Head, 1/4"-2- x 5/8".....	6
24	664838	Indicator, Depth Gauge.....	1
25	400118	Screw, Hex Head, 1/4"-20 x 1-3/4".....	1
26	664619	Nut, Depth Adjustment Lock.....	1
27	400266	Screw, Hex Head, 3/8"-16 x 1-1/2".....	2
28	664363	Spacer.....	2
29	660820	Washer, Flat, 3/8" SAE.....	2
30	444810	Nut, Hex, 3/8"-16 Flexloc.....	2
31	400446	Screw, Hex Head, 1/2"-20 x 2".....	2
32	664586	Tube, Spacer.....	2
33	660836	Washer, Flat, 49/64" ID x 1-5/16" OD x 3/32" Thick.....	4
34	664903	Skid, Seed Distribution Box.....	2
35	400202	Screw, Hex Head, 5/16"-18 x 3".....	2

NOTE A: Do Not Mix Or Exchange Caps From One Side To Other Side Or To Other Cutting Head Assemblies. Caps are matched with Bottoms.

NOTE B: Torque Screws To 180 To 200 Inch Pounds
(15 to 16.7 ft/lbs - 20.3 to 22.6 newton meters)

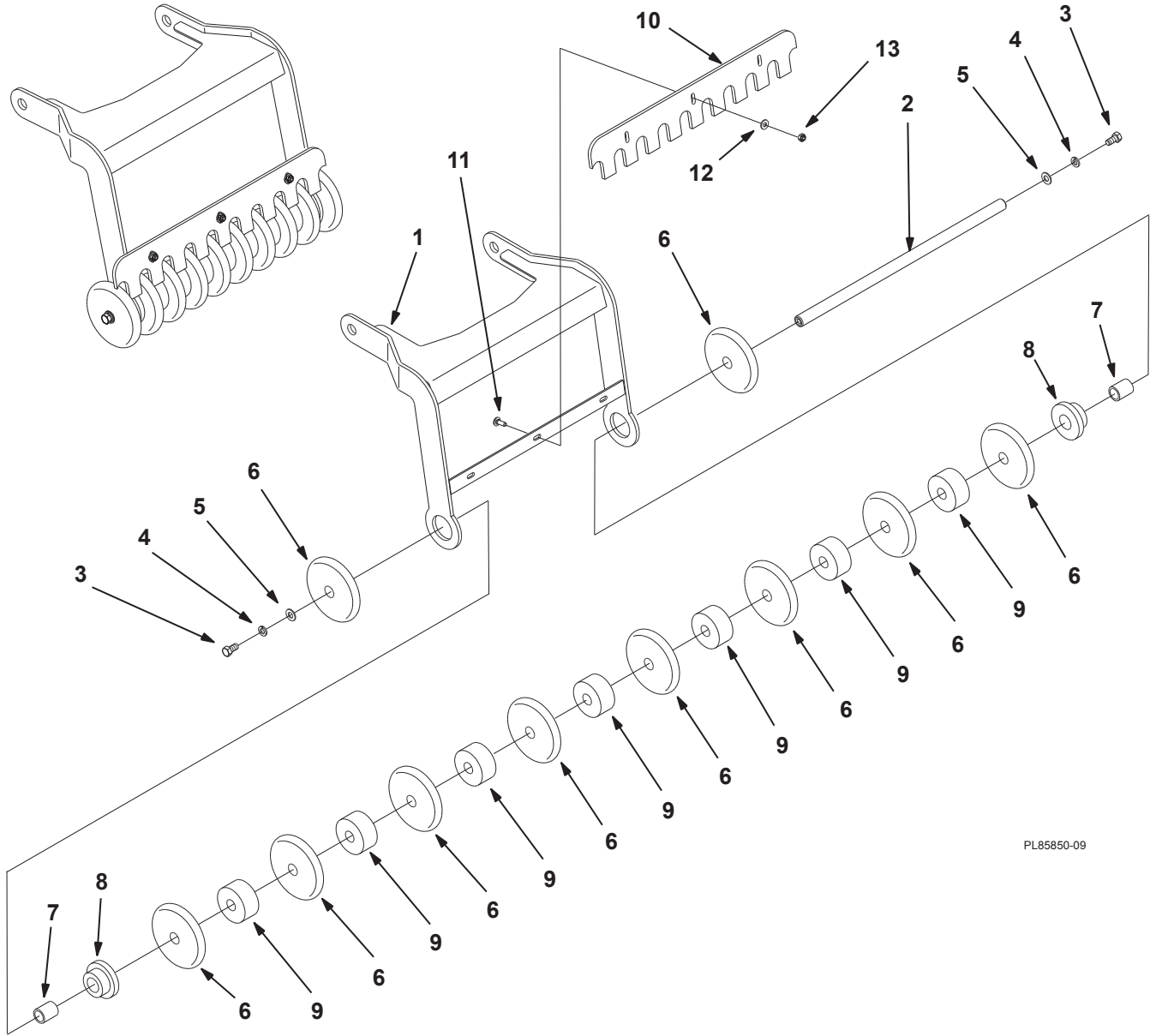
Blade Assembly



PL85850-05

Item No.	Part No.	Description	Qty.
1	664329	Axle	1
2	87500	Blade, 12 Point Offset (1 each)	10
3	664332	Sprocket, Drive	1
4	664360	Bushing	2
5	664361	Bearing	2
6	664362	Bearing Assembly, Includes Bearing and Bushing	2
7	664359	Spacer, Plastic	6
8	664331	Plate, End Cap	1
9	446154	Washer, Lock, 1/2"	1
10	400406	Screw, Hex Head, 1/2"-13 x 1-1/4"	1

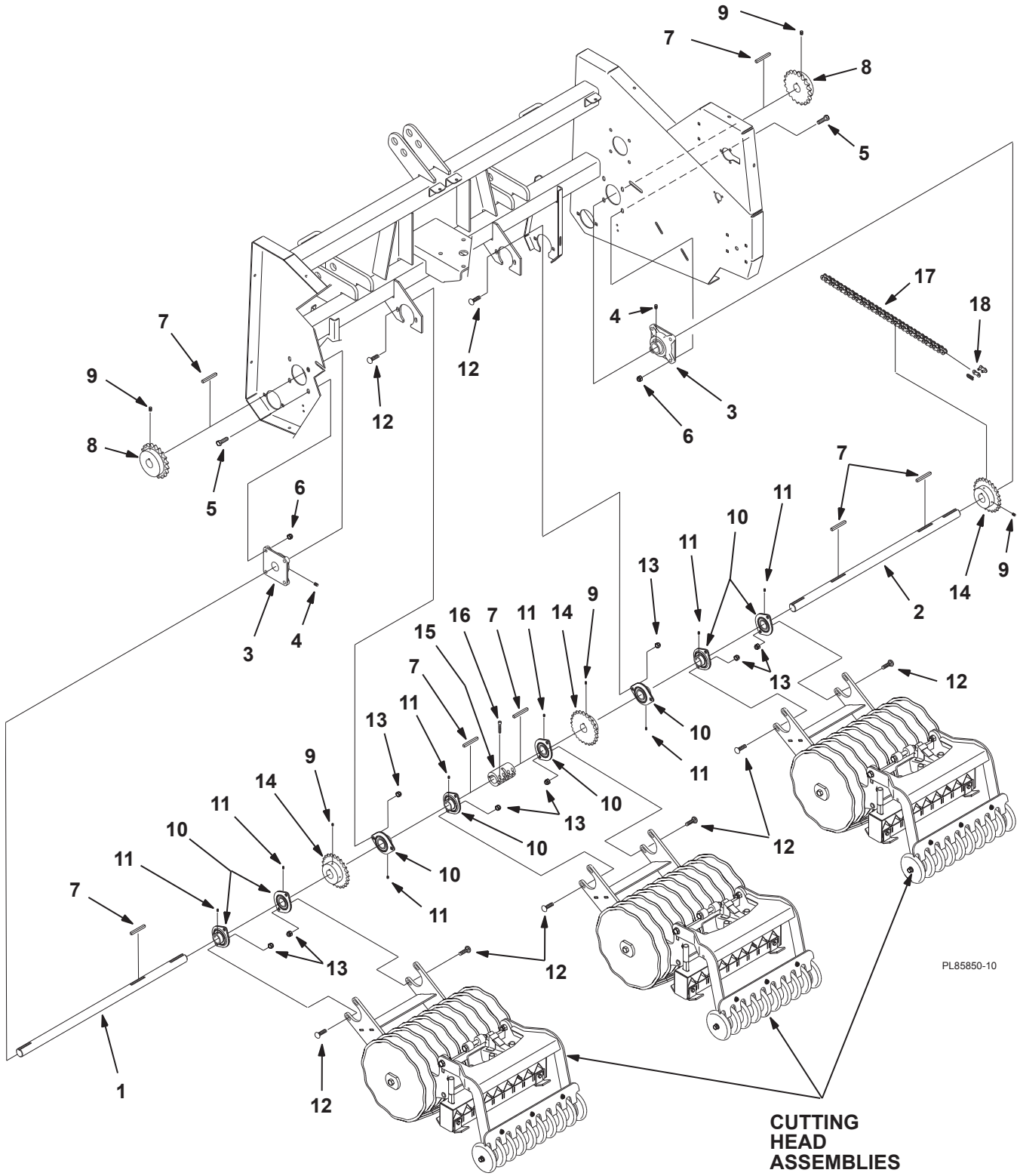
Finishing Wheel Assembly



PL85850-09

Item No.	Part No.	Description	Qty.
1	664669	Frame, Finishing Wheel Arm.....	1
2	664665	Rod, Finishing Wheel Axle.....	1
3	400258	Screw, Hex Head, 3/8"-16 x 3/4".....	2
4	446142	Washer, Lock, 3/8".....	2
5	452008	Washer, Flat, 7/16" ID x 1" OD x 5/64" Thick.....	2
6	664663	Disc, Finishing Wheel.....	10
7	664668	Spacer,.....	2
8	664664	Spacer, End, Finishing Wheel.....	2
9	664667	Spacer, Center, Finishing Wheel.....	7
10	664672	Scrapper.....	1
11	661467	Bolt, Carriage, 1/4"-20 x 3/4".....	3
12	453023	Washer, Flat, 9/32" ID x 5/8" OD x 1/16" Thick.....	3
13	444830	Nut, Hex, 1/4"-20 Flexloc.....	3

Cutter Head Drive Shafts

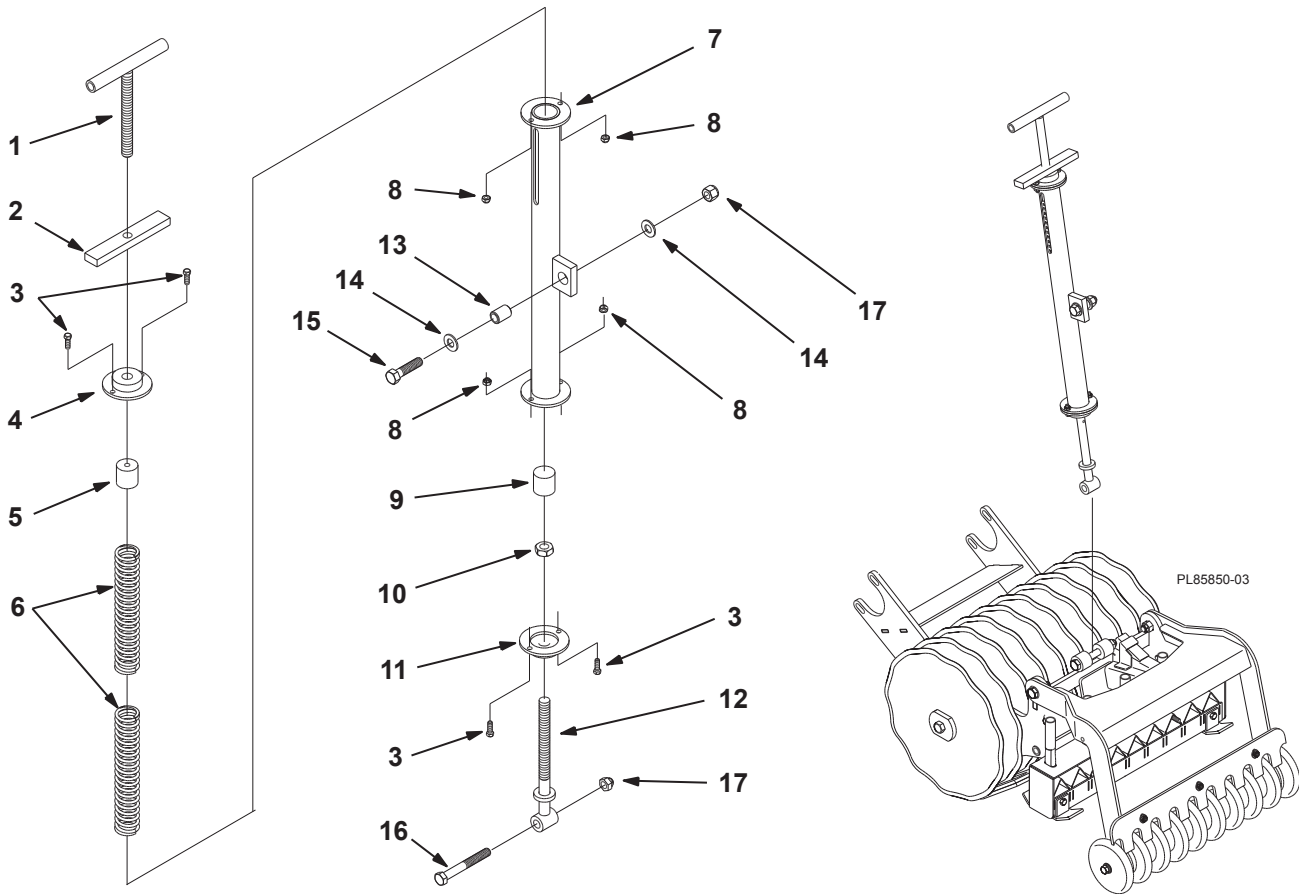


PL85850-10

Cutter Head Drive Shafts

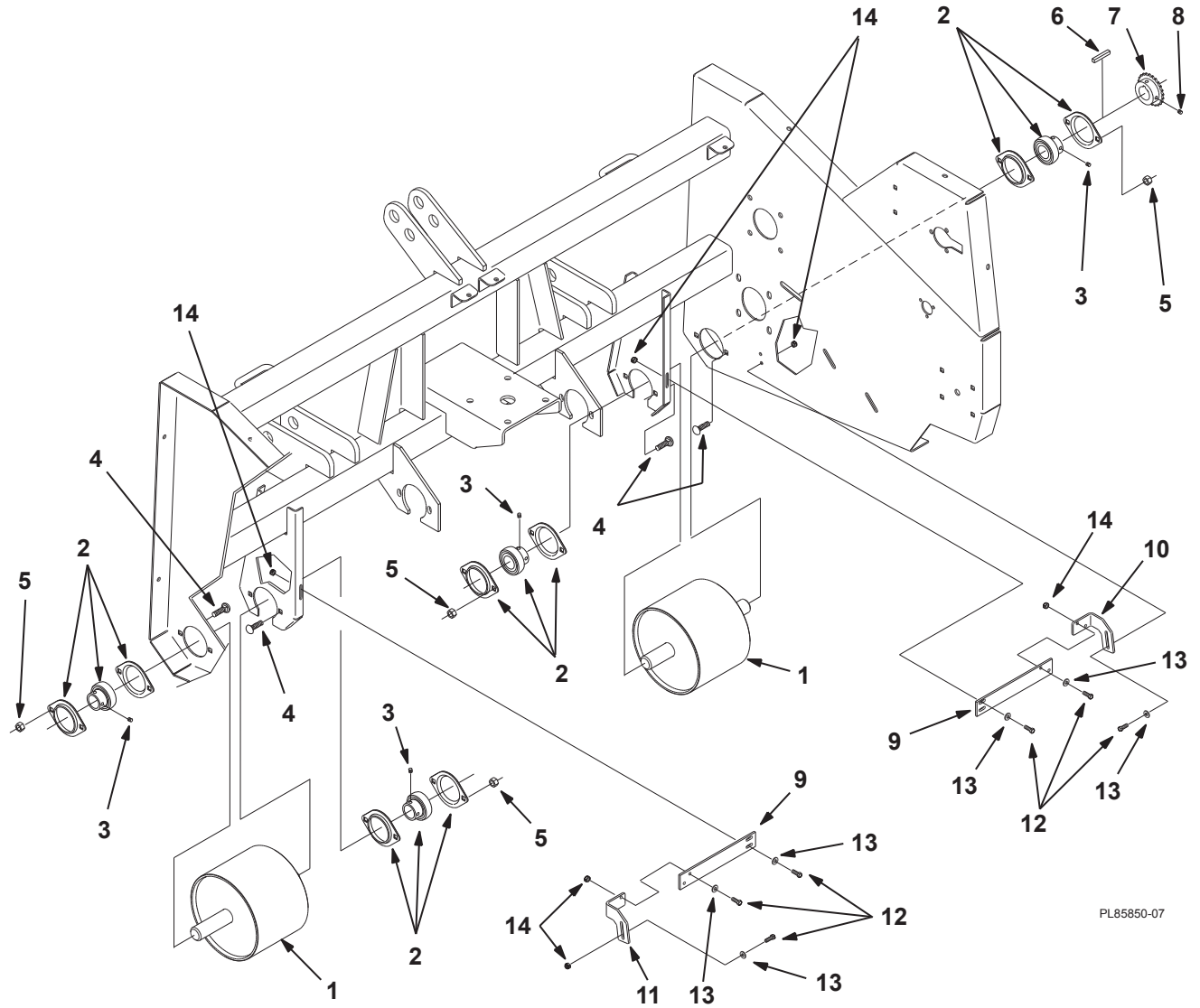
Item No.	Part No.	Description	Qty.
1	664387	Shaft, Jack, Cutter Head Drive, Left Hand	1
2	664388	Shaft, Jack, Cutter Head Drive, Right Hand.....	1
3	664399	Bearing, 4 Bolt.....	2
4	415561	Screw, Set, 5/16"-24 x 5/16".....	4
5	400374	Screw, Hex Head, 7/16"-20 x 1-1/2".....	8
6	444832	Nut, Hex, 7/16"-20 Flexloc	8
7	499154	Key, Square, 1/4" x 1-1/2"	7
8	664395	Sprocket, 60B15.....	2
9	415553	Screw, Set, 5/16"-18 x 5/16".....	10
10	658541	Bearing, Flange, Includes Set Screws and Flangettes	8
11	499051	Screw, Set, 1/4"-28 x 1/4".....	16
12	664220	Bolt, Carriage, 3/8"-16 x 1-1/4" Short Neck.....	16
13	444810	Nut, Hex, 3/8"-16 Flexloc	16
14	664590	Sprocket, 50B24.....	3
15	664396	Coupling, Split, Includes Socket Head Screws	1
16	-----	Screw, Socket Head, 1/4"-28 x 5/8"	4
17	664545	Chain, RC-50 x 62 Pitch, Includes Master Link.....	3
18	650013	Link, Master, RC-50	3

Down Pressure Assembly



Item No.	Part No.	Description	Qty.
1	664347	T-Handle.....	1
2	664357	Bar, Hold Down Jam Nut.....	1
3	400108	Screw, Hex Head, 1/4"-20 x 3/4".....	4
4	664343	End Cap, Threaded.....	1
5	664350	Spacer, Upper Spring Gauge.....	1
6	664358	Spring, Compression.....	2
7	664339	Tube, Hold Down.....	1
8	444830	Nut, Hex, 1/4"-20 Flexloc.....	4
9	664351	Spacer, Lower Spring Stop.....	1
10	443826	Nut, Hex, 5/8"-18 Jam.....	1
11	664345	End Cap.....	1
12	664352	Connecting Rod.....	1
13	664356	Bushing.....	1
14	660832	Washer, Flat, 1/2" SAE.....	2
15	400446	Screw, Hex Head, 1/2"-20 x 2".....	1
16	400456	Screw, Hex Head, 1/2"-20 x 4".....	1
17	444816	Nut, Hex, 1/2"-20 Flexloc.....	2

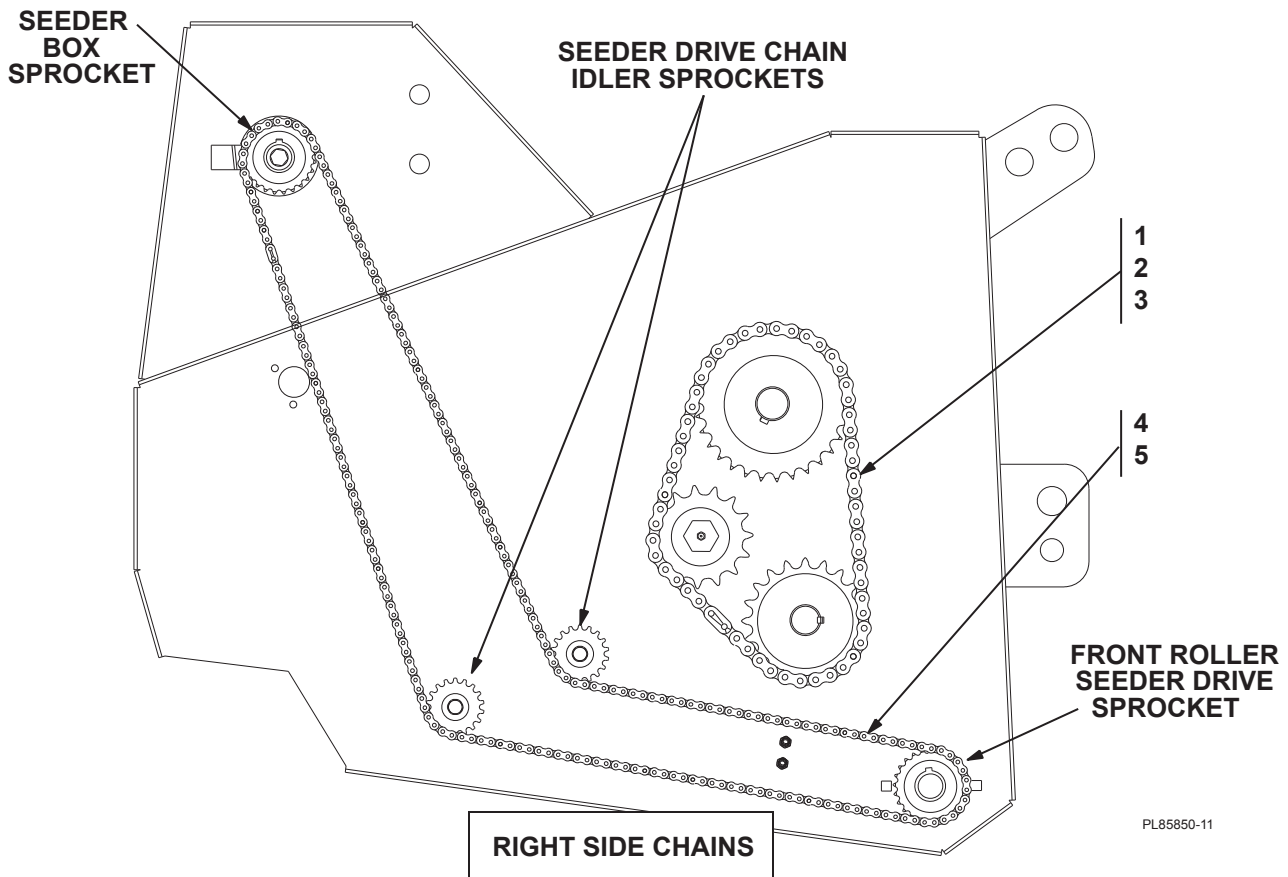
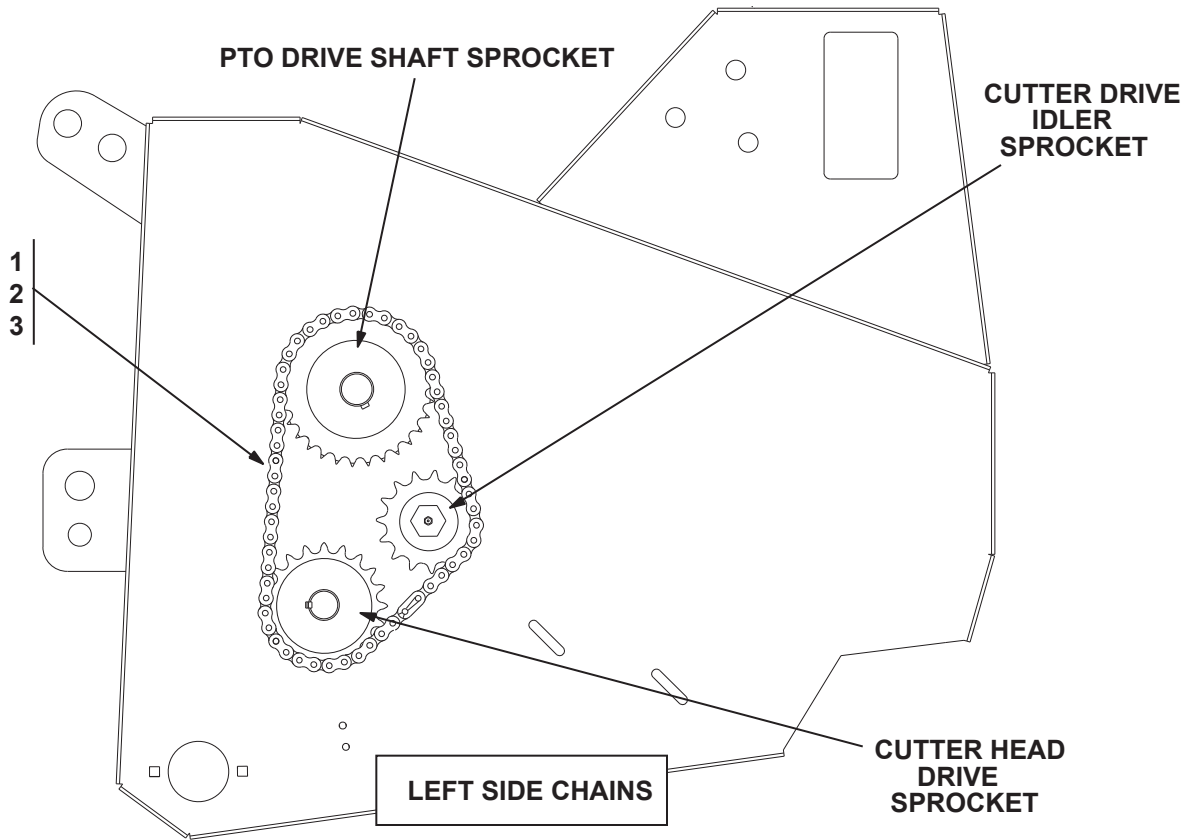
Front Rollers and Roller Scrapers



PL85850-07

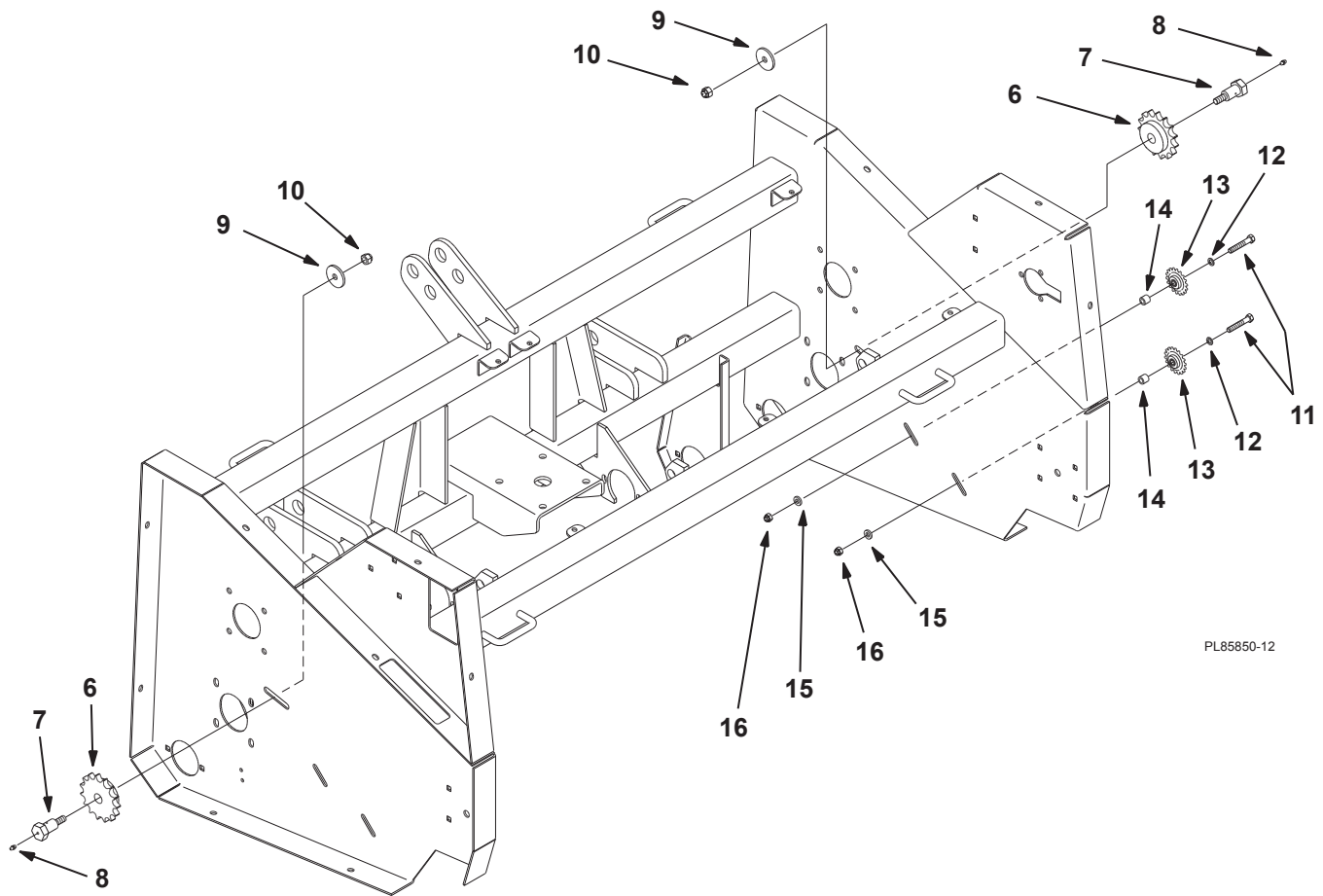
Item No.	Part No.	Description	Qty.
1	664390	Roller, Front.....	2
2	658541	Bearing, Flange.....	4
3	499051	Screw, Set, 1/4"-28 x 1/4".....	8
4	664220	Bolt, Carriage, 3/8"-16 x 1-1/4" Short Neck.....	8
5	444810	Nut, Hex, 3/8"-16 Flexloc.....	8
6	499154	Key, Square, 1/4" x 1-1/2" Long.....	1
7	664593	Sprocket, 35B24.....	1
8	415553	Screw, Set, 5/16"-18 x 5/16".....	2
9	664597	Scraper, Front Roller.....	2
10	664599	Angle, Scraper Holder, Right Hand.....	1
11	664598	Angle, Scraper Holder, Left Hand.....	1
12	400108	Screw, Hex Head, 1/4"-20 x 3/4".....	12
13	453023	Washer, Flat, 9/32" ID x 5/8" OD x 1/16" Thick.....	12
14	444830	Nut, Hex, 1/4"-20 Flexloc.....	12

Chains and Chain Idlers



PL85850-11

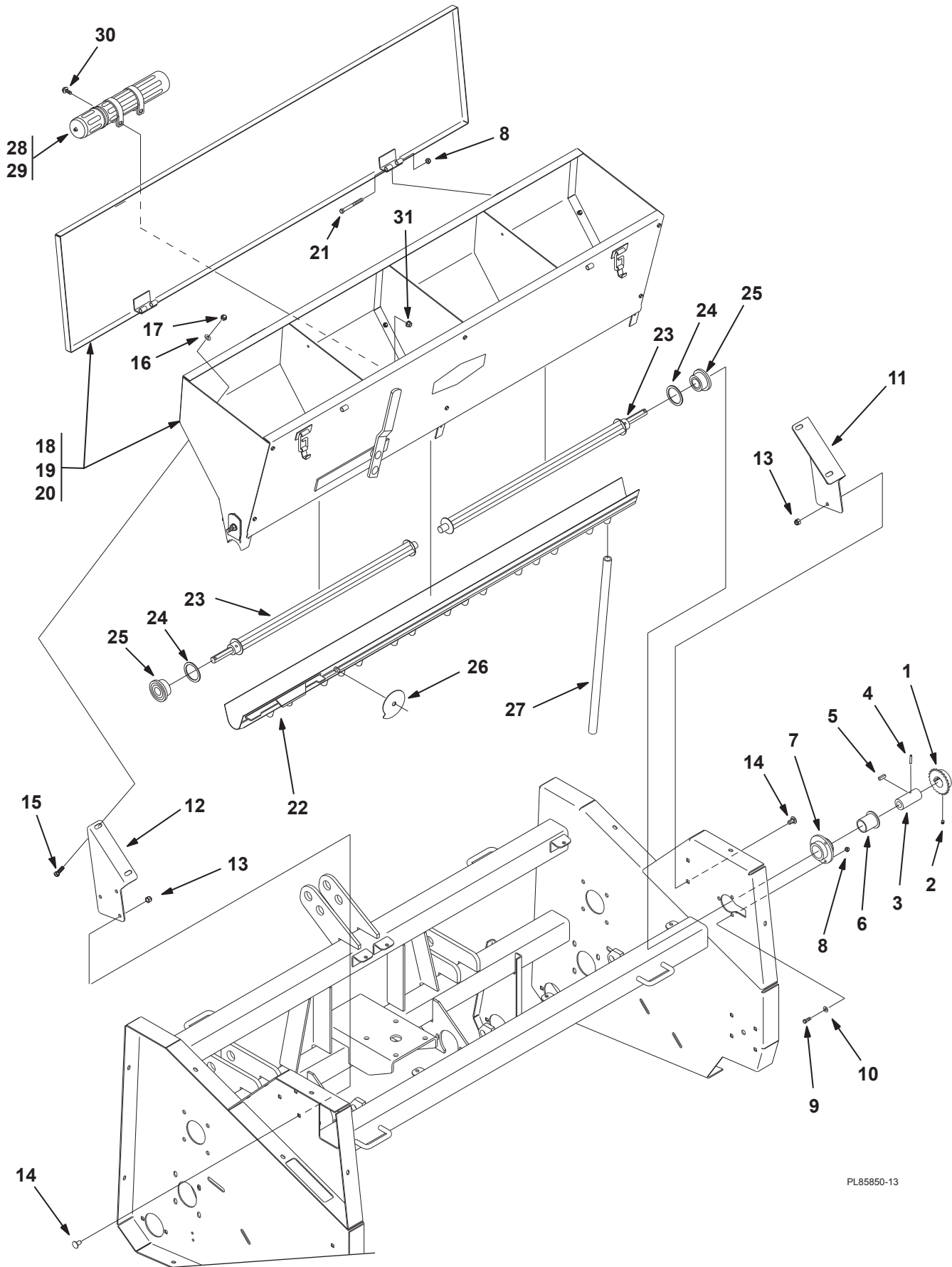
Chains and Chain Idlers



PL85850-12

Item No.	Part No.	Description	Qty.
1	664544	Chain, RC-60 x 45 Pitch, Includes Master Link and Half Link.....	2
2	660437	Link, Master, RC-60	2
3	664890	Link, Half, RC-60.....	2
4	664546	Chain, RC-35 x 244 Pitch, Includes Master Link.....	1
5	661664	Link, Master, RC-35	1
6	663639	Sprocket, 60B15.....	2
7	664595	Screw, Shoulder, 1/2"-20 Special	2
8	471214	Fitting, Lube, Straight, 1/4"-28.....	2
9	499002	Washer, Flat, 1/2" ID x 1-1/2" OD x 5/32" Thick	2
10	444816	Nut, Hex, 1/2"-20 Flexloc	2
11	499398	Screw, Hex Head, 3/8"-16 x 2-1/4"	2
12	499021	Washer, Flat, 25/64" ID x 5/8" OD x 1/16" Thick	2
13	661649	Sprocket, Idler, 18 Tooth, RC-35	2
14	664661	Spacer.....	2
15	499167	Washer, Flat, 25/64" ID x 3/4" OD x 9/64" Thick	2
16	444810	Nut, Hex, 3/8"-16 Flexloc	2

Seed Box

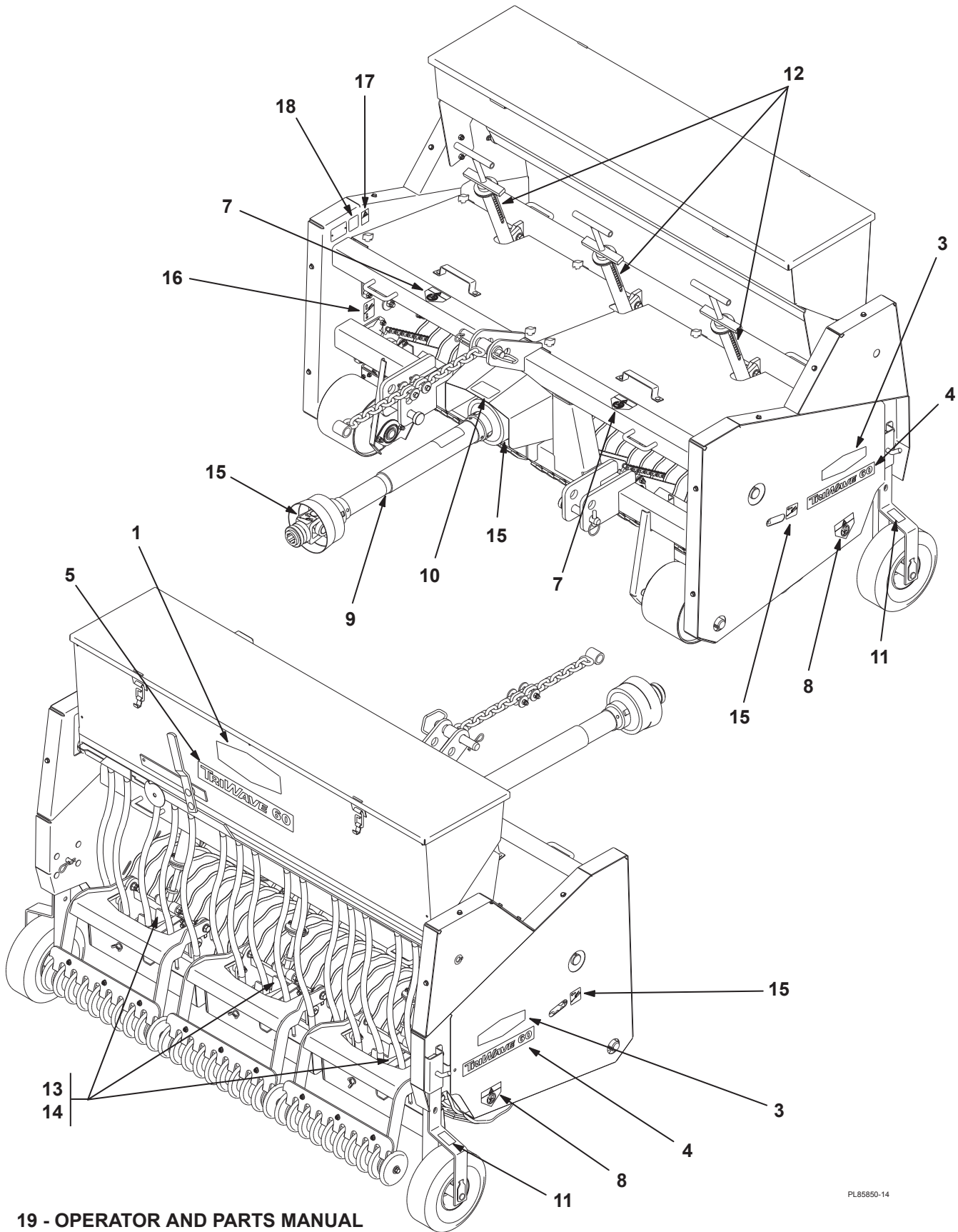


PL85850-13

Seed Box

Item No.	Part No.	Description	Qty.
1	664593	Sprocket, 35B24.....	1
2	415553	Screw, Set, 5/16"-18 x 5/16".....	2
3	664627	Sleeve	1
4	662453	Pin, Spring, 3/16" x 1"	1
5	499423	Key, Square, 1/4" x 7/8"	1
6	650542	Bearing, Flange, Oilite.....	1
7	664596	End Cap, Seed Box Bearing	1
8	444830	Nut, Hex, 1/4"-20 Flexloc	5
9	400108	Screw, Hex Head, 1/4"-20 x 3/4".....	3
10	453023	Washer, Flat, 9/32" ID x 5/8" OD x 1/16" Thick	3
11	664615	Angle Support, Seed Box, Right Hand.....	1
12	664616	Angle Support, Seed Box, Left Hand	1
13	444810	Nut, Hex, 3/8"-16 Flexloc	5
14	657766	Bolt, Carriage, 3/8"-16 x 3/4".....	5
15	400260	Screw, Hex Head, 3/8"-16 x 7/8".....	4
16	446142	Washer, Lock, 3/8"	4
17	443110	Nut, Hex, 3/8"-16.....	4
18	664600	Seed Box, Includes Box and Cover, Without Seed Gate	1
19	664601	Seed Box, Without Cover and Seed Gate.....	1
20	664610	Cover, Seed Box	1
21	660164	Screw, Hex Head, 1/4"-20 x 3"	2
22	661660	Seed Gate, Bottom and Slide.....	1
23	660946	Rotor Bar, Rubber, Includes Hex Journal.....	2
24	660944	Gasket.....	2
25	660943	Bearing, End	2
26	661661	Gauge, Seed Dial Cam	1
27	664624	Tube, Clear Vinyl, 5?8" ID x 24" Long	15
28	662885	Tube, Manual (Tube and Cap)	1
29	662901	Clamp, Loop.....	2
30	661619	Screw, Hex Head, 1/4"-20 X 5/8" Whizlock	2
31	661620	Nut, Hex, 1/4"-20 Whizlock	2

Decals



PL85850-14

Decals

Item No.	Part No.	Description	Qty.
1	660972	Decal, Turfco Logo, 12", Green and Almond.....	1
2	664682	Decal Sheet, Product Identification, TriWave Seeder, Includes Items 3 Thru 5.....	1
3		Decal, Turfco Logo, 7", Green and Almond.....	2
4		Decal, TriWave Logo, 12".....	2
5		Decal, TriWave Logo, 15".....	1
6	664836	Decal Sheet, Warnings and Controls, PTO Seeder, Includes Items 7 Thru 18.....	1
7		Decal, Hand Hazard Warning	2
8		Decal, Foot Hazard Warning.....	2
9		Decal, PTO Length Warning	1
10		Decal, PTO Hazard Warning.....	1
11		Decal, Storage Only Warning.....	2
12		Decal, Down Pressure Scale	3
13		Decal, Depth Setting Scale	3
14		Decal, Pointer, Depth Setting Scale	3
15		Decal, Grease Fitting, PTO Shaft and Idler Sprockets.....	4
16		Decal, Grease Fitting, Drive Shaft Bearings	2
17		Decal, Read Manual Warning	1
18		Decal, Product Identification	1
19	664681	Manual, Operator and Parts Lists, TriWave Seeder.....	1



TURFCO MFG. INC.
1655 101st Avenue NE
Minneapolis, Minnesota USA
55449-4420

Phone 763-785-1000 • FAX 763-785-0556
Internet - www.turfc.com • E-mail - service@turfc.com