

# SUPER CERTES

## 51cm, 61cm

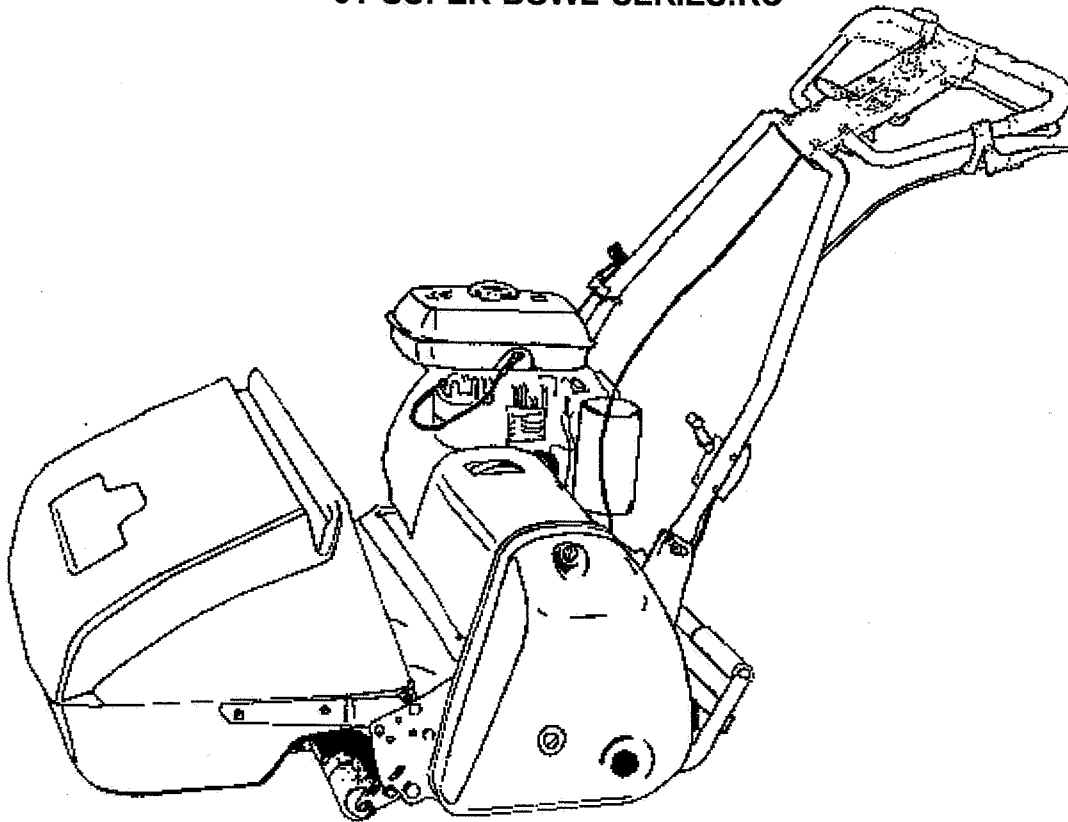
---

LIST OF PARTS / ONDERELENJIST  
LISTE DE PIÈCES / ERSATZTEILLISTE  
LISTA DE PIEZAS / RESERVDIELSLISTA  
RESERVDIELISTE / LISTA DEI COMPONENTI

---

GB NL F D E DK S I

51 SUPER CERTES SERIES:RA  
61 SUPER CERTES SERIES:RB  
51 SUPER BOWL SERIES:RC



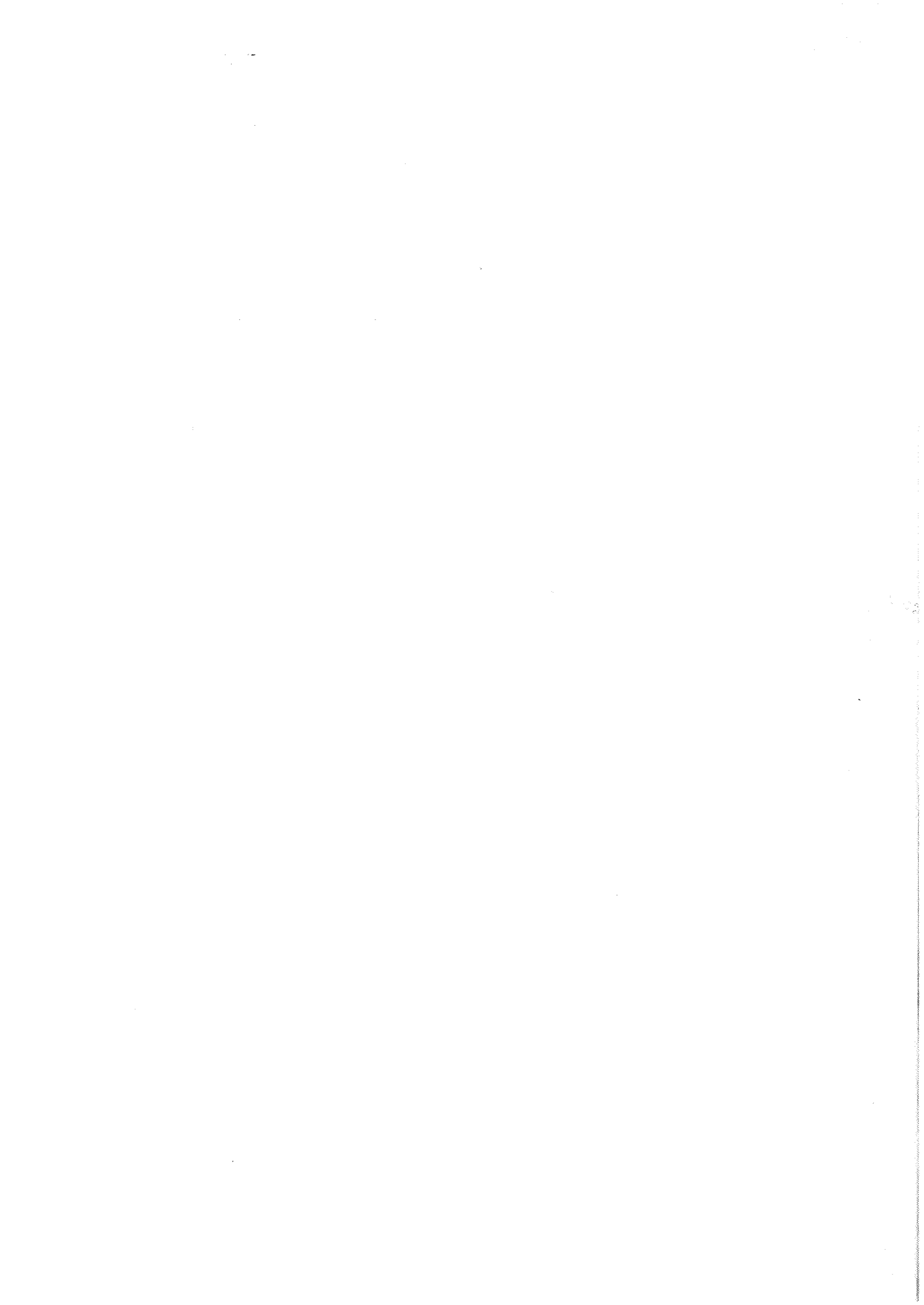
**TEXTRON**  
**PARTS X PRESS**  
TURF CARE AND SPECIALTY PRODUCTS

**RANSOMES**

Ransomes Way, Ipswich, England, IP3 9QG

Publication No. 23954G (Rev.0) (RSJ 100 071998)

**TEXTRON**  
TURF CARE AND SPECIALTY PRODUCTS



# INTRODUCTION

## ITEM NUMBER

Each part which is identified in the illustrations has an item number. Parts which do not have an item number may not be readily identified in the illustration but are usually closely associated with the immediately adjacent part.

## ASSEMBLIES

A complete assembly, e.g. a wheel motor or hydraulic motor or roll assembly, is listed as a complete item with subsequent individual components listed separately.

The assembly is listed under its part number with component parts being listed offset to the right, e.g.:-

ITEM	RANSOMES PART NO.	DESCRIPTION	QTY
1	LMSD798	Roll Assy.	1
2	MBB4490	Tube	1
3	LMSD926	End Cap Assy.	2
4	MBB6851	End Cap	1
5	H009116	Bearing	1
6	MBB2356	Seal Housing	1
7	A224016	Seal	2
*	A122192	Screw	2

It may not be possible to illustrate every item. With certain items purchased from outside suppliers some component parts may not be available from Ransomes and may need to be specially ordered from the supplier e.g. Volvo hydraulic motor components.

## QUANTITIES

Quantities shown are for one assembly or sub-assembly.

## USING THE PARTS LIST

Determine the function and application of the part required. Turn to the main index page and select the appropriate section. Locate the part on the illustration and parts list and read off the quantity from the appropriate MODEL column.

## NUMERICAL INDEX

This is a summary of all part numbers used in the manual arranged in numerical sequence and showing the page and item number under which the parts appear.

## ORDERING OF SPARE PARTS

When ordering replacement parts, it is most important to quote the SERIAL NUMBER of the machine, PART NUMBER, DESCRIPTION and QUANTITY required.

# SPECIFICATIONS

## ENGINE SPECIFICATION

51 cm machines

TYPE: Kubota 2.3KW (3.1HP) @  
3600 RPM, single cylinder ,  
30cc (7.9 cu.in), recoil start

Model: GS130

Maximum Speed: 3150 to 3200 RPM (No load)

Idle Speed: 1250 to 1300 RPM (No load)

Oil Sump Capacity: 0.55 litres (1 Imp.pints)  
(0.58 US qts)

Fuel: Lead free petrol

Fuel Tank Capacity: 3 litres (5.28 Imp. pints)  
(3.2 US qts)

61cm machines

TYPE: Kubota 2.7KW (3.7HP) @  
3600 RPM, single cylinder ,  
154cc (9.4 cu.in), recoil start

Model: GS160

Maximum Speed: 3150 to 3200 RPM (No load)

Idle Speed: 1250 to 1300 RPM (No load)

Oil Sump Capacity: 0.6 litres (1.05 Imp.pints)  
(0.63 US qts)

Fuel: Lead free petrol

Fuel Tank Capacity: 3.4 litres (6.0 Imp. pints)  
(3.6 US qts)

## MACHINE SPECIFICATION

Chassis: Pressed steel welded  
fabrication.

Transmission: By heavy duty roller chains.

Clutches: Main centrifugal clutch.  
Separate landroll clutch.  
Separate cylinder clutch on  
Super Bowl only.

Front roll: One piece steel roll running  
on ball bearings.

Landroll: Super Bowl:  
Fully machined cast iron.

Super Certes:  
Fully machined aluminium.

51cm machine:  
2 piece with pawl box  
differential.

61cm machine:  
3 piece with pawl box  
differential.

Cutting cylinder: All welded 10 knife cylinder  
running on ball  
bearings.

Cutting ratio: Super Bowl:  
142 cuts / metre  
(130 cuts / yard).

Super Certes:  
138cuts / metre

Height of cut: 3 - 13mm (1/8 - 1/2in.)

Handles: Tubular steel adjustable at  
top and bottom.

Grassbox: Moulded polyethelene with  
air vent

Cutting width: 51cm (20in.)  
61cm (24in.)

Cutting performance:  
51cm machine  
1100 sq. m./ hour (1330 sq. yd./hour)

61cm machine  
1660 sq. m./ hour (1920 sq. yd./ hour)

Ground pressure: 0.28 kg / cm<sup>2</sup> (4lb / in<sup>2</sup>)

## DIMENSIONS

	51cm	61cm
Overall height	95cm (37in)	95cm (37in)
Overall length	145cm (57in)	145cm (57in)
Overall width	77cm (30in)	87cm (34in)
Width of cut	51cm (20in)	61cm (24in)
Gross weight (incl. grassbox)	97kg (203lb)	104kg (229lb)

## NOISE EMISSION

Conforms to the specification of Directive EEC 79/113,  
84/558, 87/252, 88/180, 88/181.

51cm Sound Power Level: 89 dB(A) LWA (Bystander)

61cm Sound Power Level: 97 dB(A) LWA (Bystander)

## RECOMMENDED LUBRICANTS

Engine oil: Should be to MIL-L-2104B/ or to A.P.I.  
Classification SC grades and as given in  
the table below:

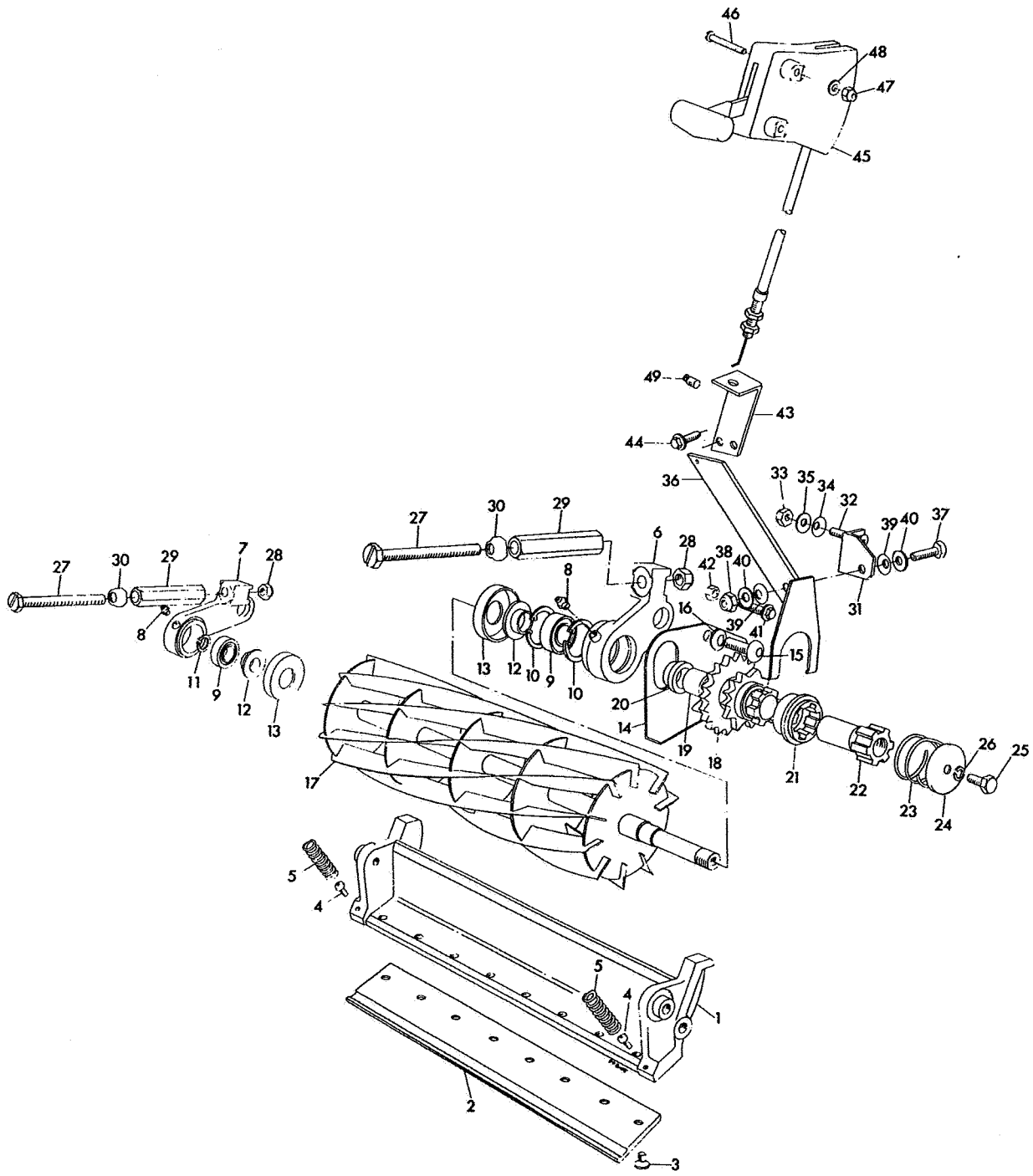
Temperature	Oil Viscosity
ABOVE 25°C (77°F)	SAE 30
0°C to 25°C (32°F to 77°F)	SAE 20
BELOW 0°C (32°F)	SAE 10W or SAE10W-30

Grease: Multipurpose Lithium based automotive  
grease with good water resisting  
properties.

## INDEX TO SECTIONS

	PAGE
Cutting Unit .....	5
Decal .....	29
Front Roll .....	17
Landroll .....	21
Main Frame, Engine and Grassbox .....	9
Operator Presence controls .....	13
Pressure Clutch and Drives .....	25

# RANSOMES SUPER CERTES



**CUTTING UNIT**

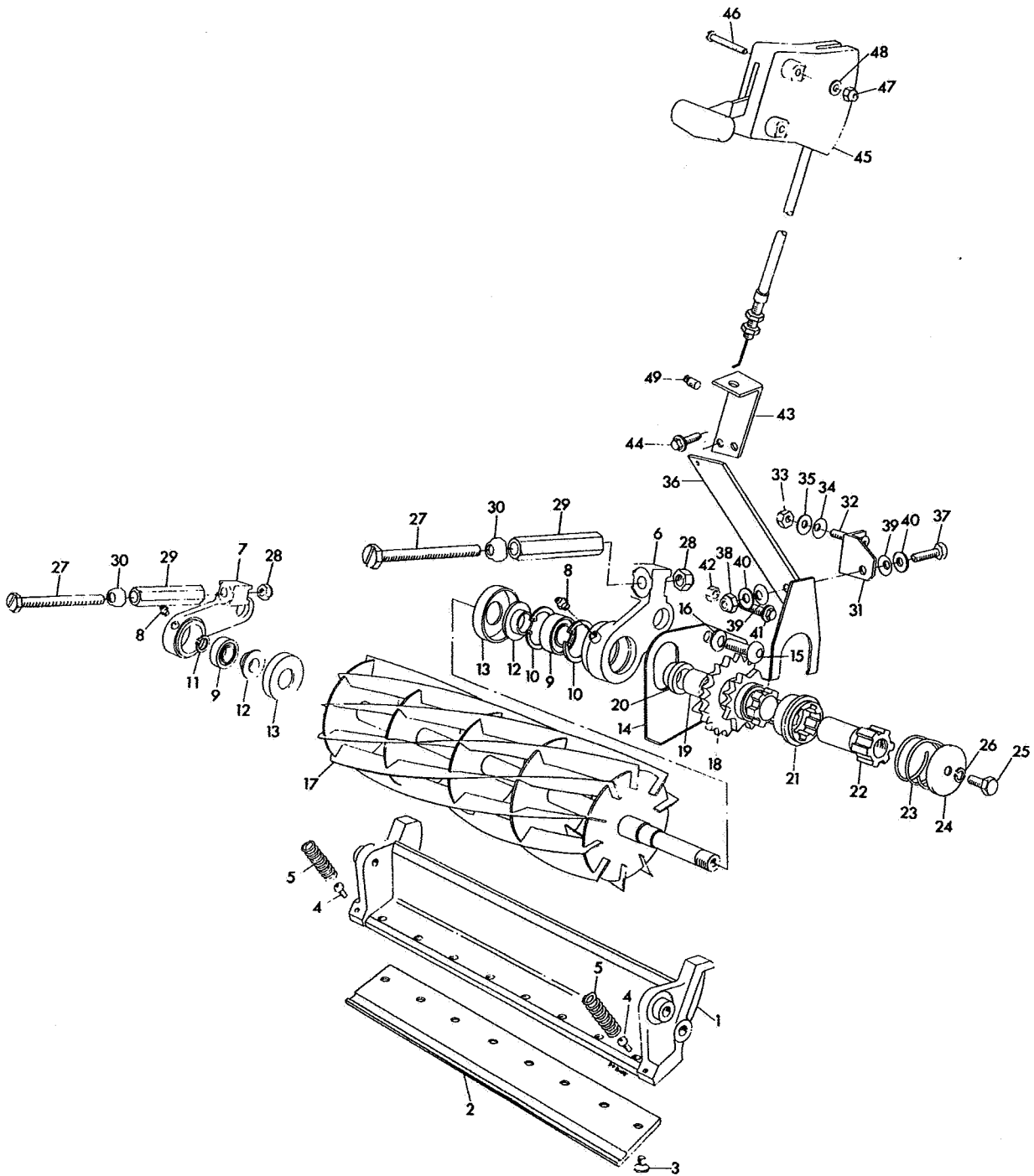
**LIST OF PARTS**

ITEM	RANSOMES PART NO	DESCRIPTION <b>GB</b>	QTY	REMARKS
1	LMAY588	BOTTOM BLOCK ASSY. 51CM	1	
*	LMAA786	BOTTOM BLOCK ASSY. 61CM	1	
2	MBA7051	BOTTOM BLADE 51CM	1	
*	MBA7083	BOTTOM BLADE 61CM	1	
3	A119002	SCREW	8	
4	A128053	SCREW	2	
5	GSF2240KT	SPRING	2	
6	MBC3980	BEARING HOUSING LH	1	
7	MBC3979	BEARING HOUSING RH	1	
8	A299301	LUBRICATOR	2	
9	A203603	BEARING	2	
10	A170040	CIRCLIP	2	
11	A171017	CIRCLIP	1	
12	MBC5915	GREASE RING	2	
13	LOY0013	DUST COVER	2	
14	MBC4686A	SLOT COVER	1	
15	A129009	SCREW	2	LH SIDE OF FRAME
16	A292083	DISC SPRING	2	
*	GSF2002EF	SCREW	2	RH SIDE OF FRAME
*	A151010	S.L.WASHER 10MM	2	
17	MBC3139B	CYLINDER ASSY. 51CM	1	
*	MBC3140B	CYLINDER ASSY. 61CM	1	
18	MBC8154	PINION ASSY.	1	
19	A210642	BUSH	1	
20	MBC3183	DISTANCE PIECE	1	
21	MBC5294	SLIDING CLUTCH	1	
22	MBC3003	CLUTCH SLEEVE	1	
23	A291076	SPRING	1	
24	MBC5316	RETAINING PLATE	1	
25	A110394	SCREW M8 X 12	1	
26	A151008	S.L.WASHER 8MM	1	
27	A100905	ADJUSTING SCREW	2	
28	A133210	STIFFNUT M10	2	
29	MBC7028	LOCKNUT	2	
30	A229935	SEAL	2	
31	MBC5093	BRACKET	1	
32	A113305	SCREW M8 X 25	1	
33	A133208	STIFFNUT M8	1	
34	A292050	DISC SPRING	1	
35	A150008	WASHER 8MM	1	

\* NOT ILLUSTRATED

**RANSOMES  
SUPER CERTES**

---





**CUTTING UNIT**

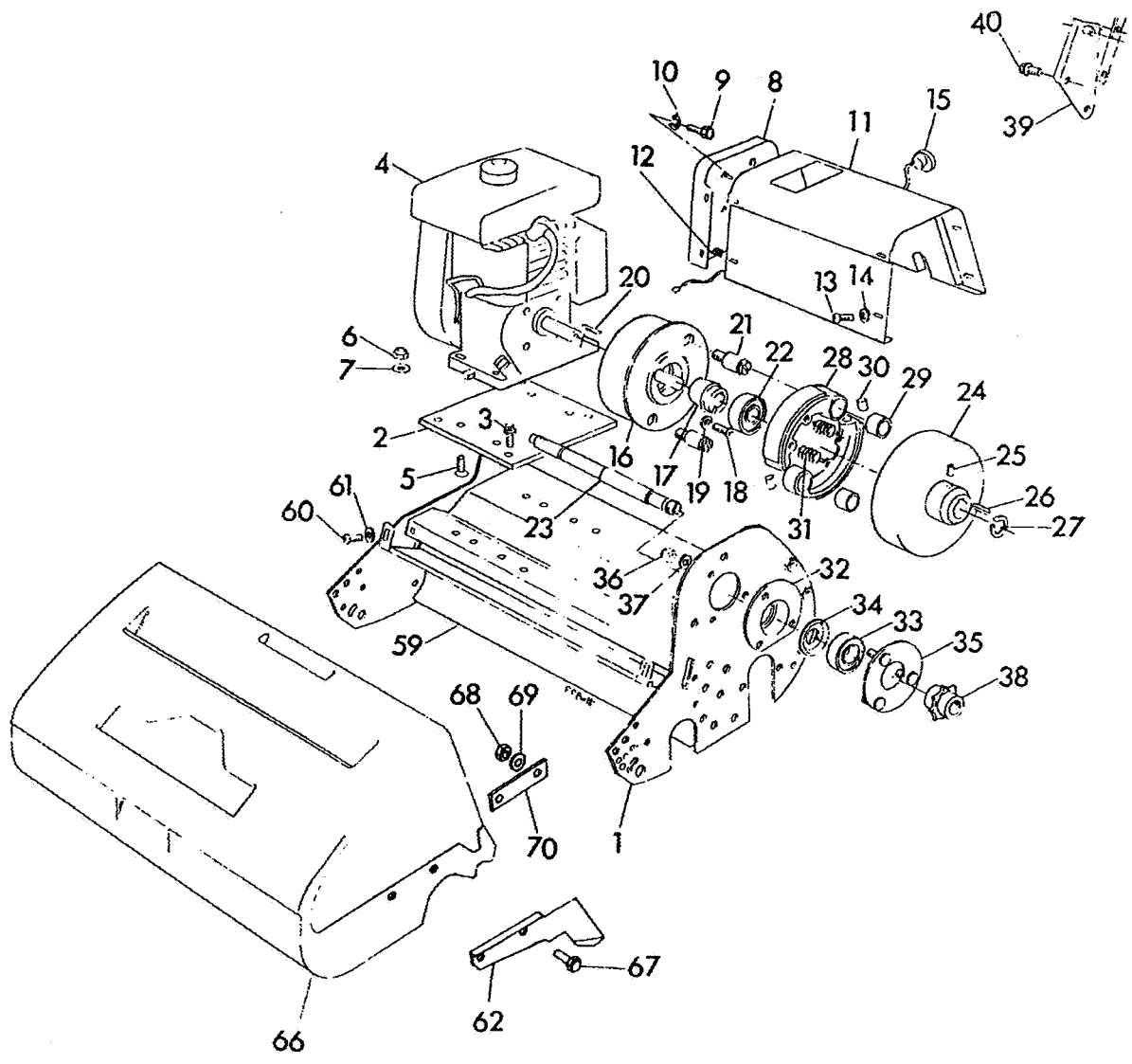
**LIST OF PARTS**

ITEM	RANSOMES PART NO	DESCRIPTION <b>GB</b>	QTY	REMARKS
36	MBC3962	CLUTCH LEVER	1	
37	A110304	SCREW M8 X 20	1	
38	A133208	STIFFNUT M8	1	
39	A292050	DISC SPRING	2	
40	A150008	WASHER 8MM	2	
41	A100207	BOLT M6 X 35	1	
42	A130006	NUT M6	1	
43	MBC4348	BRACKET	1	
44	A115296	SCREW M6 X 16	2	
45	A906077	CONTROL ASSY.	1	
46	A119202	SCREW	2	
47	A133205	STIFFNUT M5	2	
48	A150005	WASHER 5MM	2	
49	H300403	NIPPLE	1	
		ALTERNATIVE FITTINGS		
*	MBA7057	BOTTOM BLADE (THIN) 51CM	1	
*	MBA7092	BOTTOM BLADE (THIN) 61CM	1	

\* NOT ILLUSTRATED

**RANSOMES  
SUPER CERTES**

---



**MAIN FRAME,ENGINE & GRASSBOX**

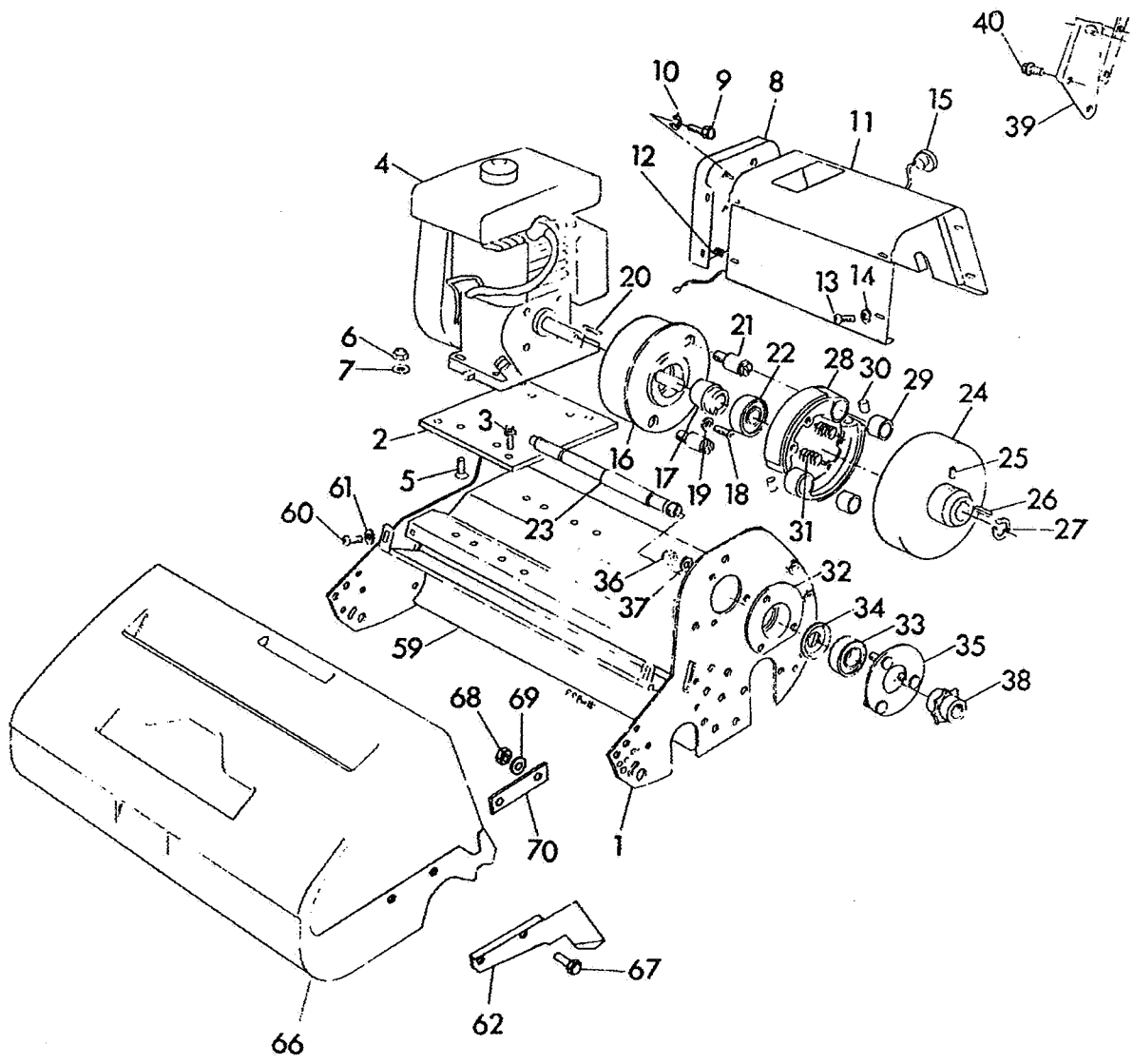
**LIST OF PARTS**

ITEM	RANSOMES PART NO	DESCRIPTION <b>GB</b>	QTY	REMARKS
1	MBC3966C	FRAME 51CM	1	
*	MBC3967C	FRAME 61CM	1	
2	MBC3600A	MOUNTING PLATE 51CM	1	
3	A110305	SCREW M8 X 25	4	51CM
4	A610106	ENGINE (GS130) 51CM	1	
*	A610107	ENGINE (GS160) 61CM	1	
5	A121307	SCREW M8 X 35	4	51CM
*	A116308	SCREW 61CM	4	
6	A133208	STIFFNUT M8 51CM	4	
7	A150008	WASHER 8MM 51CM	4	
8	MBC8991	END PLATE	1	
9	GSF2002CB	SCREW	4	
10	A151008	S.L. WASHER	4	
11	MBC9074	TOP COVER 51CM	1	
*	A914869	ACOUSTIC PAD 51CM	1	
*	MBC9075	TOP COVER 61CM	1	
*	A914871	ACOUSTIC PAD 61CM	1	
12	A139401	SPEED NUT	8	
13	A112296	SCREW	4	
*	A110296	SCREW	4	
*	A115296	SCREW M6 X 16	2	
14	A150006	WASHER 6MM	8	
15	A829542	STOP SWITCH	1	
16	MBC4580	FLYWHEEL	1	
17	MBB2023	TAPER BUSH	1	
18	A129031	SCREW	2	
19	MBB4758	WASHER	2	
20	GSF2200BN	KEY	1	
21	MBC4583	PIN	2	
22	H001202	BEARING	1	
23	MBC3029	SPINDLE 51CM	1	
*	MBC3111	SPINDLE 61CM	1	
24	LCO0457	CLUTCH RING	1	
25	GSF2020JE	SCREW	1	
26	GSF2202ET	KEY	1	
27	GSF1056AX	CIRCLIP	1	
	LMAY014A	CLUTCH SHOE ASSY.	1	
28	MBC0993B	SHOE	2	
29	GSF3002DR	BUSH	2	
30	LAJ0038	BUFFER	2	
31	A290087	SPRING	2	
32	MBC3116	BEARING HOUSING	1	
33	H001202	BEARING	1	
34	A228913	NILOS RING	1	
35	MBC3604	PLATE ASSY.	1	
36	A133206	STIFFNUT M6	3	

\* NOT ILLUSTRATED

**RANSOMES  
SUPER CERTES**

---



**MAIN FRAME,ENGINE & GRASSBOX (Contd.)**

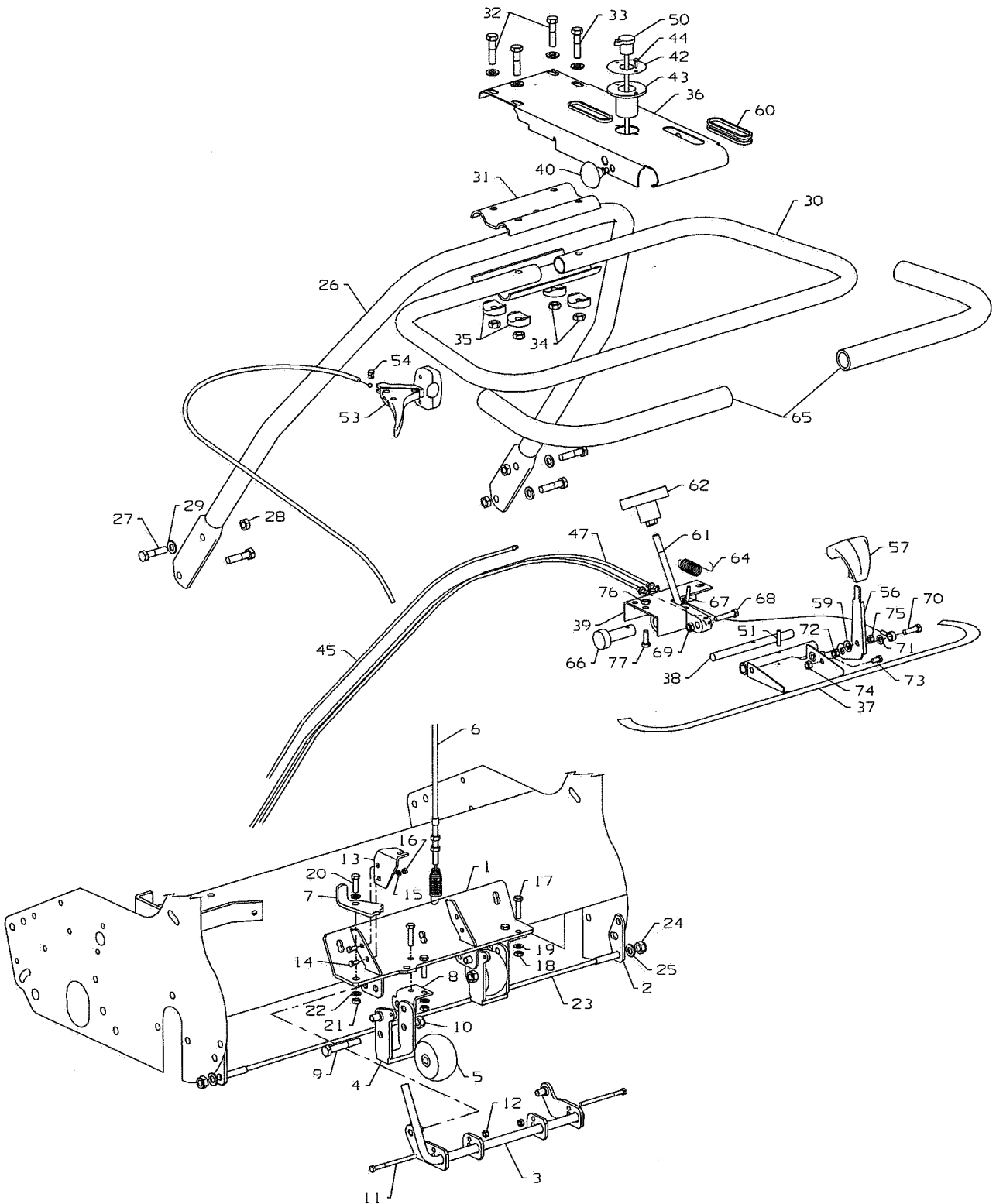
**LIST OF PARTS**

ITEM	RANSOMES PART NO	DESCRIPTION <b>GB</b>	QTY	REMARKS
37	A150006	WASHER 6MM	3	
38	A917015	DRIVE PINION	1	
39	MBC5155	HANDLE BRACKET	1	
40	A115304	SCREW M8 X 20	2	
59	MBB0204	CONCAVE 51CM	1	
*	MBC3478	CONCAVE 61CM	1	
60	A115296	SCREW M6 X 16	2	
61	A150006	WASHER 6MM	2	
62	MBC9893	BRACKET LH	1	
*	MBC9892	BRACKET RH	1	
66	A913341	GRASSBOX 51CM	1	
*	A913342	GRASSBOX 61CM	1	
67	A112304	SCREW M8 X 20	4	
68	A133208	STIFFNUT M8	4	
69	A150008	WASHER 8MM	4	
70	MBC9900	PLATE	2	
*	MBC7047	PLATE 61CM	1	
*	A110396	SCREW M8 X 16	1	61CM
*	A130008	NUT M8 61CM	1	
*	A151008	S.L.WASHER 8MM 61CM	1	
*	MBC7029	DRAIN PLUG	1	
*	A186902	WASHER	1	
*	MBC9657	COVER PLATE	1	
*	A119135	SCREW	2	
*	A150004	WASHER	2	
*	A110004	SCREW M4 X 20	1	) THROTTLE
*	A130004	NUT M4	2	) CABLE
*	A151004	S.L.WASHER 4MM	1	) TO
*	A110296	SCREW M6 X 16	1	) ENGINE

\* NOT ILLUSTRATED

**RANSOMES  
SUPER CERTES**

---



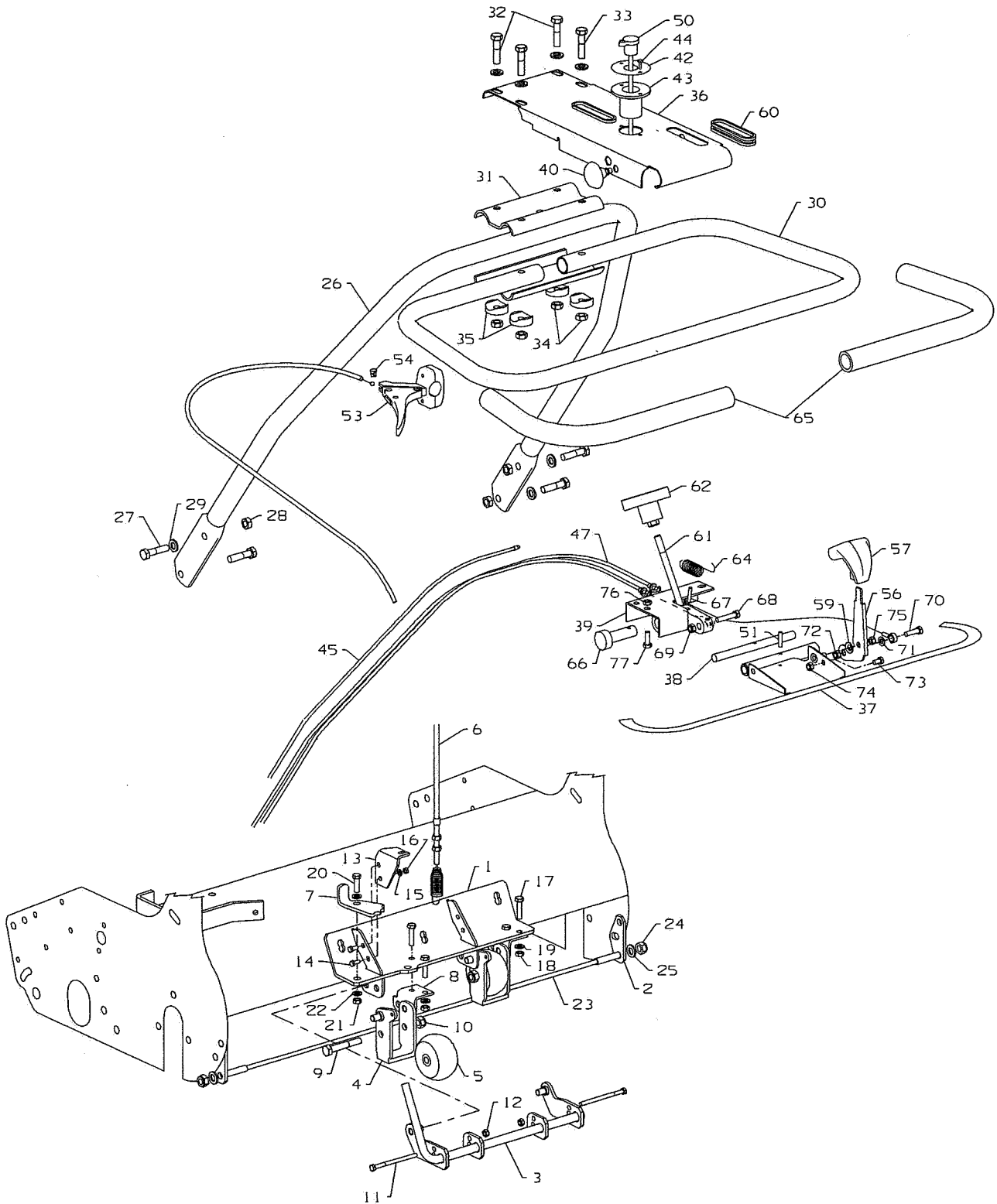
**OPERATOR PRESENCE CONTROL**

**LIST OF PARTS**

ITEM	RANSOMES PART NO	DESCRIPTION <b>GB</b>	QTY	REMARKS
		<b>BRAKE ASSEMBLY</b>		
1	MBF0503A	BRAKE FRAME	1	
2	MBG1335	SCRAPER SUPPORT	1	
3	MBF0504A	BRAKE LEVER	1	
4	MBF0509A	PIVOT LEVER	2	
5	A904247	ROLLER	2	
6	A906734	BRAKE CABLE	2	
7	MBG1263A	BRAKE CATCH	1	
8	MBG1258	SUPPORT BRKT	2	
9	A100311	BOLT M8 X 55	2	
10	A133208	NUT M8	2	
11	A100214	BOLT M6 X 70	2	
12	A133206	NUT M6	2	
13	MBG1360	ABUTMENT BRACKET	1	
14	A110296	SCREW M6 X 16	2	
15	A150006	WASHER 6MM	2	
16	A133206	NUT M6	2	
17	A110296	SCREW M6 X 16	4	
18	A133206	NUT M6	4	
19	A150006	WASHER 6MM	4	
20	A110396	SCREW M8 X 16	1	
21	A133208	NUT M8	1	
22	A150008	WASHER 8MM	1	
23	A906713	WIRE SCRAPER 51CM	1	
23	A906715	WIRE SCRAPER 61 CM	1	
24	A133208	NUT M8	2	
25	A150008	WASHER 8MM	2	
		<b>HANDLES AND CONTROLS</b>		
26	MBG0638	HANDLE TUBE BOTTOM 51 CM	1	
26	MBG0639	HANDLE TUBE BOTTOM 61 CM	1	
27	A110304	SCREW M8 X 20	3	
28	A133208	NUT M8	3	
29	A150008	WASHER 8MM	3	
30	MBG0648A	TOP HANDLE	1	
31	MBG0353A	HANDLE CLAMP	2	
32	A100308	BOLT M8 X 40	2	
33	A100309	BOLT M8 X 50	2	
34	A133208	NUT M8	4	
35	MBA5261	CLAMP WASHER	4	
36	MBG1310A	TOP COVER	1	
37	MBF0516A	OPC LEVER	1	
38	MBF0147	PIVOT PIN	1	

\* NOT ILLUSTRATED

# RANSOMES SUPER CERTES





**OPERATOR PRESENCE CONTROL**

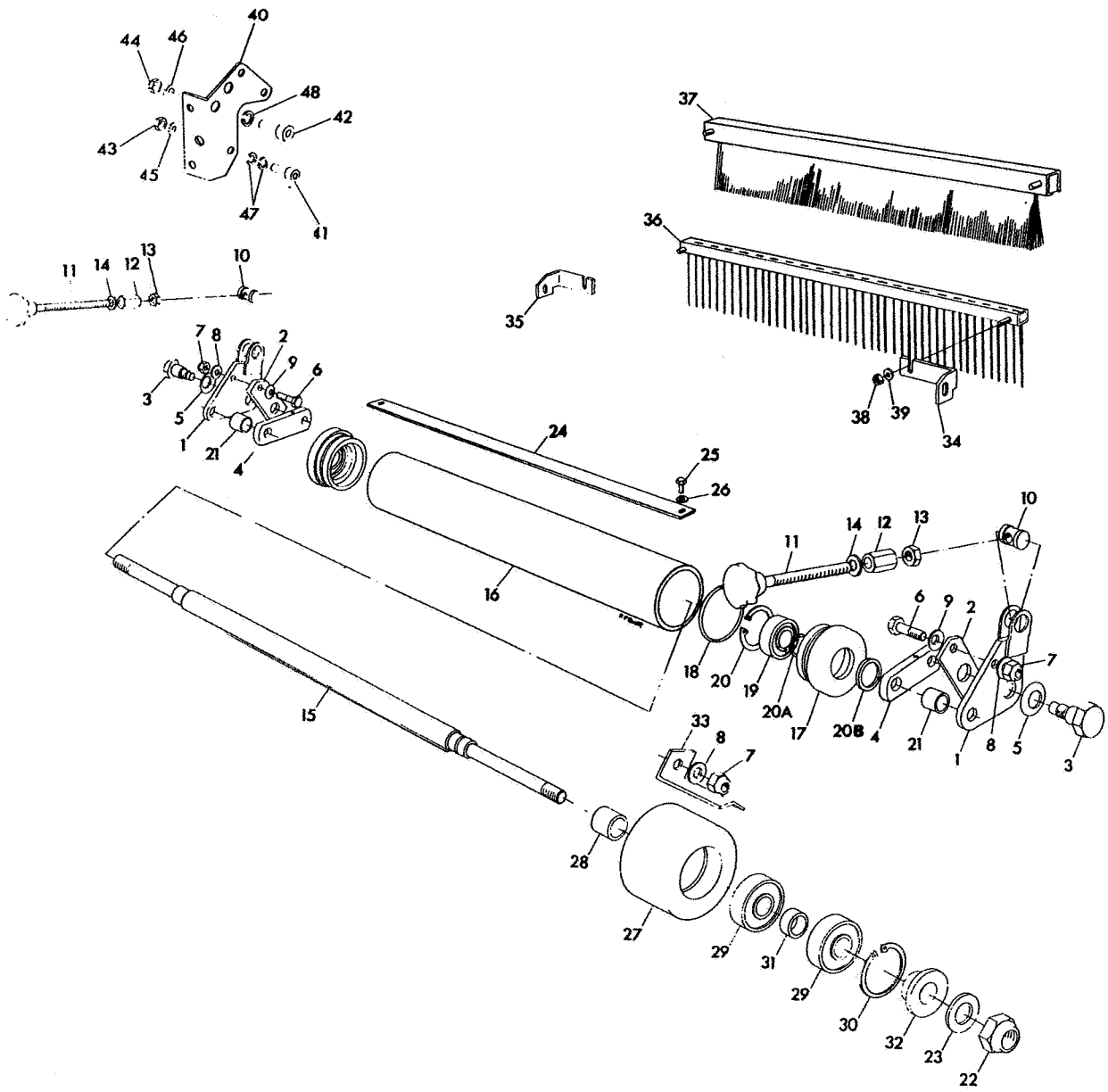
**LIST OF PARTS**

ITEM	RANSOMES PART NO	DESCRIPTION <b>GB</b>	QTY	REMARKS
39	MBF0515A	ABUTMENT BRKT	1	
40	A299083	KNOB	1	
41*	A650040	RECOIL ROPE GUIDE	1	
42	MBE0968	SWITCH PLATE	1	
43	MBE1028	SWITCH HOUSING	1	
44	A128022	SCREW NO6 X 9.5	2	
45	A905564	WIRING HARNESS	1	
46*	A199226	CABLE CLIP	1	
47	A906733	THROTTLE CABLE	1	
48*	A298071DQ	SLEEVING	1	
49*	A906303	SPRING (CABLE TO ENGINE)	1	
50	A829542	STOP SWITCH	1	
51	A141426	TENSION PIN	1	
52*	A115294	SCREW M6 X 12	4	
53	A811055	CLUTCH LEVER	2	
54	A811056	DRUM NIPPLE	2	
55*	H499802	CABLE TIE	1	
56	MBG1286A	THROTTLE LEVER	1	
57	A299081	'T' HANDLE	1	
58*	A219335	NYLINER BEARING	2	
59	A292070	DISC SPRING	1	
60	A295339	GROMMET	2	
61	MBF0517	BRAKE LEVER	1	
62	A299080	'T' HANDLE	1	
63*	A219336	NYLINER BEARING	2	
64	A906308	SPRING	1	
65	A914215	HANDLE SLEEVE	2	
66	MBF0147	PIVOT PIN	1	
67	A141426	PIN 3 X 20	1	
68	A100310	SCREW M8 X 50	1	
69	A133208	NUT M8	1	
70	A110204	SCREW M6 X 20	1	
71	A150006	WASHER 6MM	1	
72	A133206	NUT M6	1	
73	A110194	SCREW M5 X 12	1	
74	A133205	NUT M5	1	
75	A133205	NUT M5	1	
76	A130006	NUT M6	3	
77	A115294	SCREW M6 X 12	3	
78*	A906041	CLUTCH CABLE	1	

\* NOT ILLUSTRATED


# RANSOMES SUPER CERTES

---



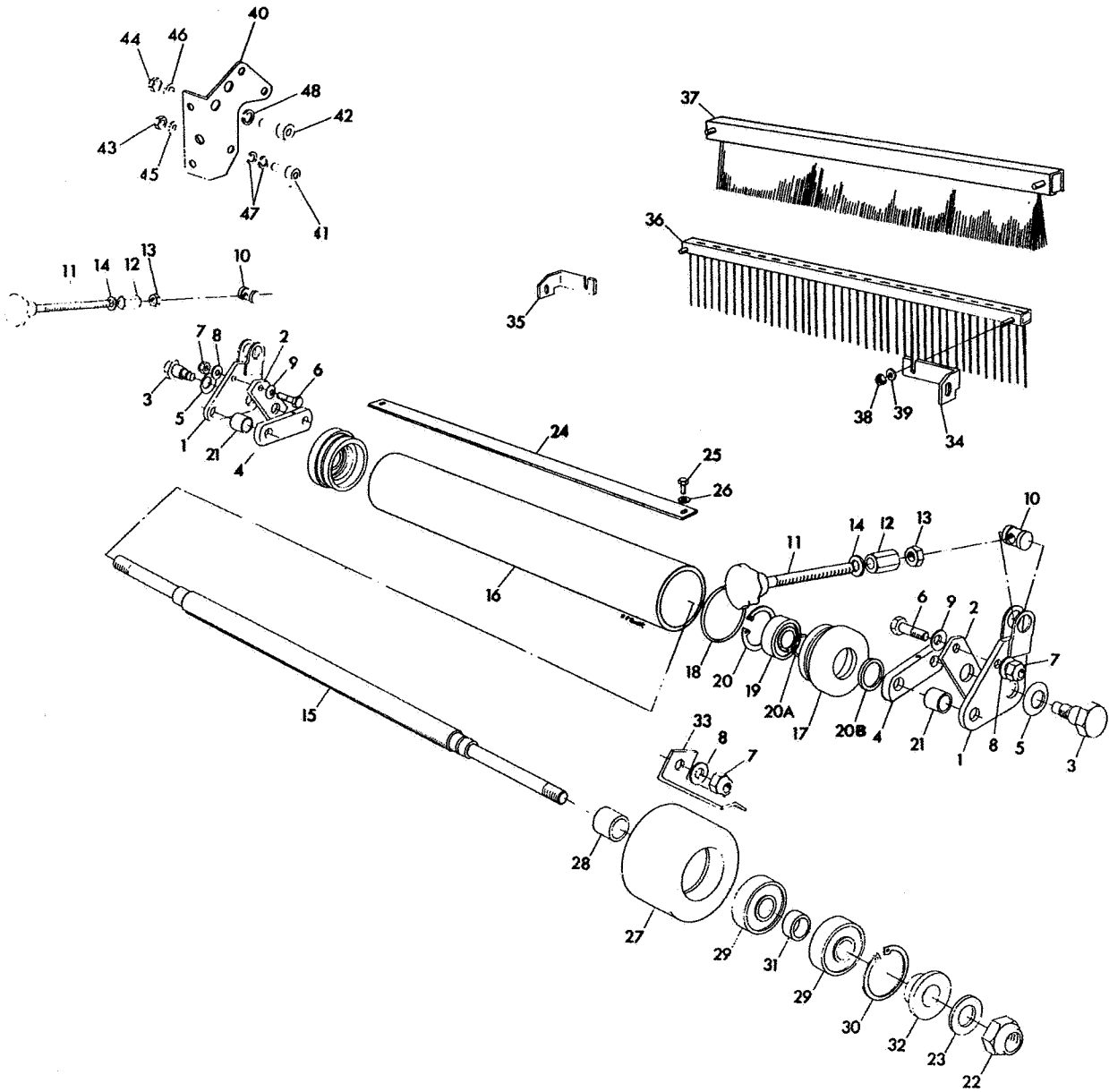
## FRONT ROLL

## LIST OF PARTS

ITEM	RANSOMES PART NO	DESCRIPTION 	QTY	REMARKS
1	MBE0342	CARRIAGE	2	
2	MBC5914A	PACKER (6MM)	2	
2A*	MBC9872	PACKER (2MM)	2	
3	MBC5917A	PIVOT PIN	2	
4	MBC3973	LINK	2	
5	A292122	DISC SPRING	2	
6	A100307	BOLT M8 X 35	2	
7	A133208	STIFFNUT M8	2	
8	A150008	WASHER 8MM	2	
9	A292050	DISC SPRING	2	
10	MBC5274A	TRUNNION	2	
11	A907009	ADJUSTING SCREW	2	
12	MBC7026	ADJUSTING COLLAR	2	
13	A130008	NUT M8	2	
14	A150008	WASHER 8MM	2	
15	MBE2281	SPINDLE 51CM	1	
15*	MBE2322	SPINDLE 61CM	1	
16	MBE2280	FRONT ROLL 51CM	1	FRONT ROLL ASSY. LMSE035
16 *	MBE1470	FRONT ROLL 61CM	1	
17	MBE1471A	END COVER	2	
18	GSF3599HA	O RING	2	
19	A203602	BEARING	2	
20	A171035	CIRCLIP	2	
20A	A179923	CIRCLP	2	
20B	A221912	QUAD RING	2	
21	AF13020	SPACER	2	
22	A133212	STIFFNUT M12	2	
23	A150012	WASHER 12MM	2	
24	MBA5439	SCRAPER 51CM	1	
24 *	MBC3976A	SCRAPER 61CM	1	
25	A110194	SCREW M5 X 12	2	
26	A150005	WASHER 5MM	2	
27	MBC3102A	OUTRIGGER ROLL	2	
28	AF13018	SPACER	2	
29	A203601	BEARING	4	
30	A170032	CIRCLIP	2	
31	MBC3105	DISTANCE PIECE	2	
32	MBC5313	DUST COVER	2	
33	MBC3976A	SCRAPER	2	
34	MBC5705A	BRACKET LH	1	
35	MBC5706A	BRACKET RH	1	
36	MBA5477	RAKE ASSY. 51CM	1	
36 *	A915106	RAKE ASSY. 61CM	1	
37	MBA5479	BRUSH ASSY. 51CM	1	
37 *	A915107	BRUSH ASSY. 61CM	1	
38	GSF2051AA	NUT	2	
39	GSF2150C	WASHER	2	

\* NOT ILLUSTRATED

**RANSOMES  
SUPER CERTES**



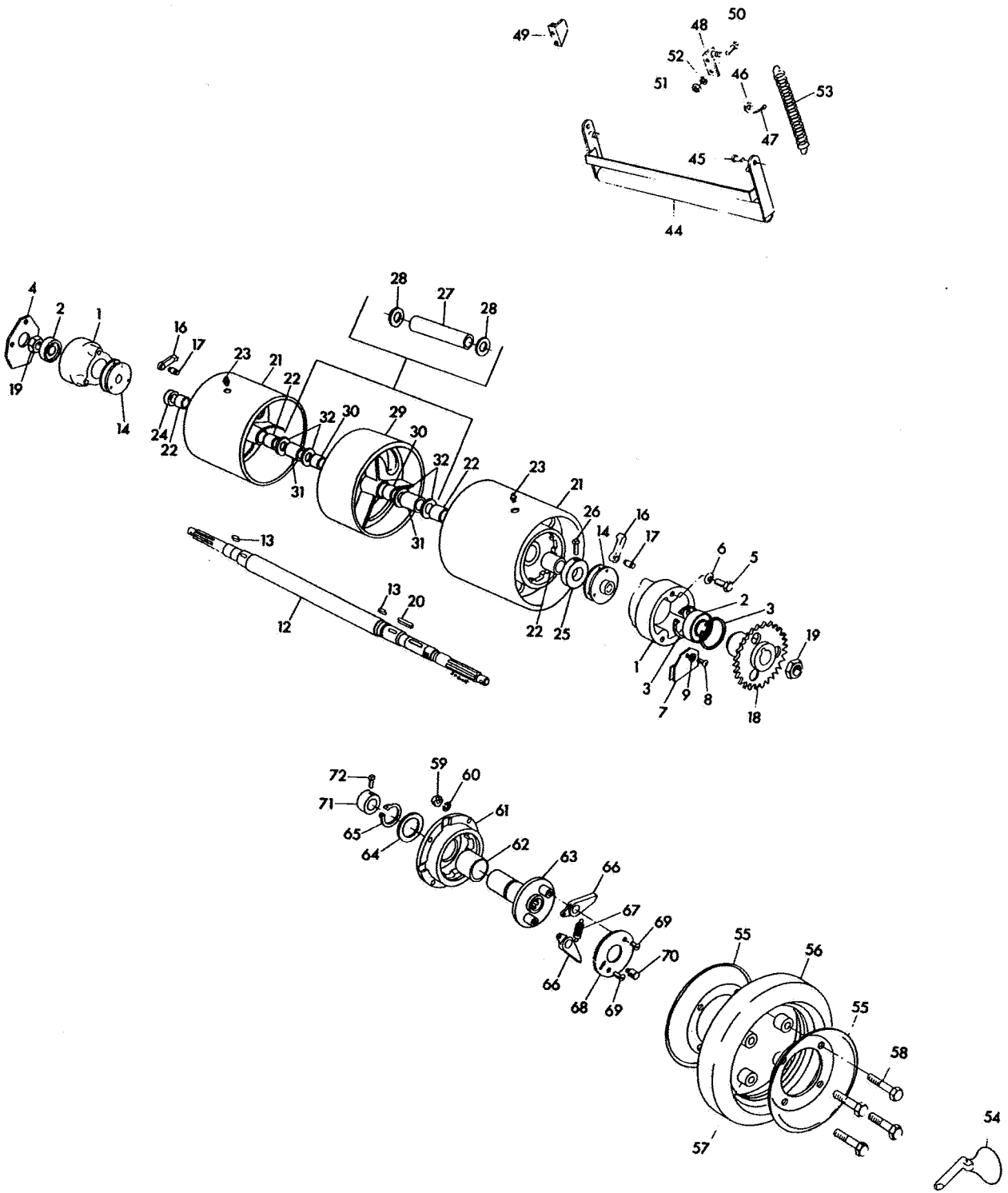
**FRONT ROLL**


**LIST OF PARTS**

ITEM	RANSOMES PART NO	DESCRIPTION <b>GB</b>	QTY	REMARKS
40	MBC9637	BRACKET RH	1	
*	MBC9636	BRACKET LH	1	
41	A120204	SCREW M6 X 20	6	
42	A120304	SCREW M8 X 20	2	
43	A133206	STIFFNUT M6	6	
44	A133208	STIFFNUT M8	2	
45	A150006	WASHER 6MM	6	
46	A150008	WASHER 8MM	2	
47	A151006	S.L.WASHER 6MM	12	
48	A151008	S.L.WASHER 8MM	2	

\* NOT ILLUSTRATED

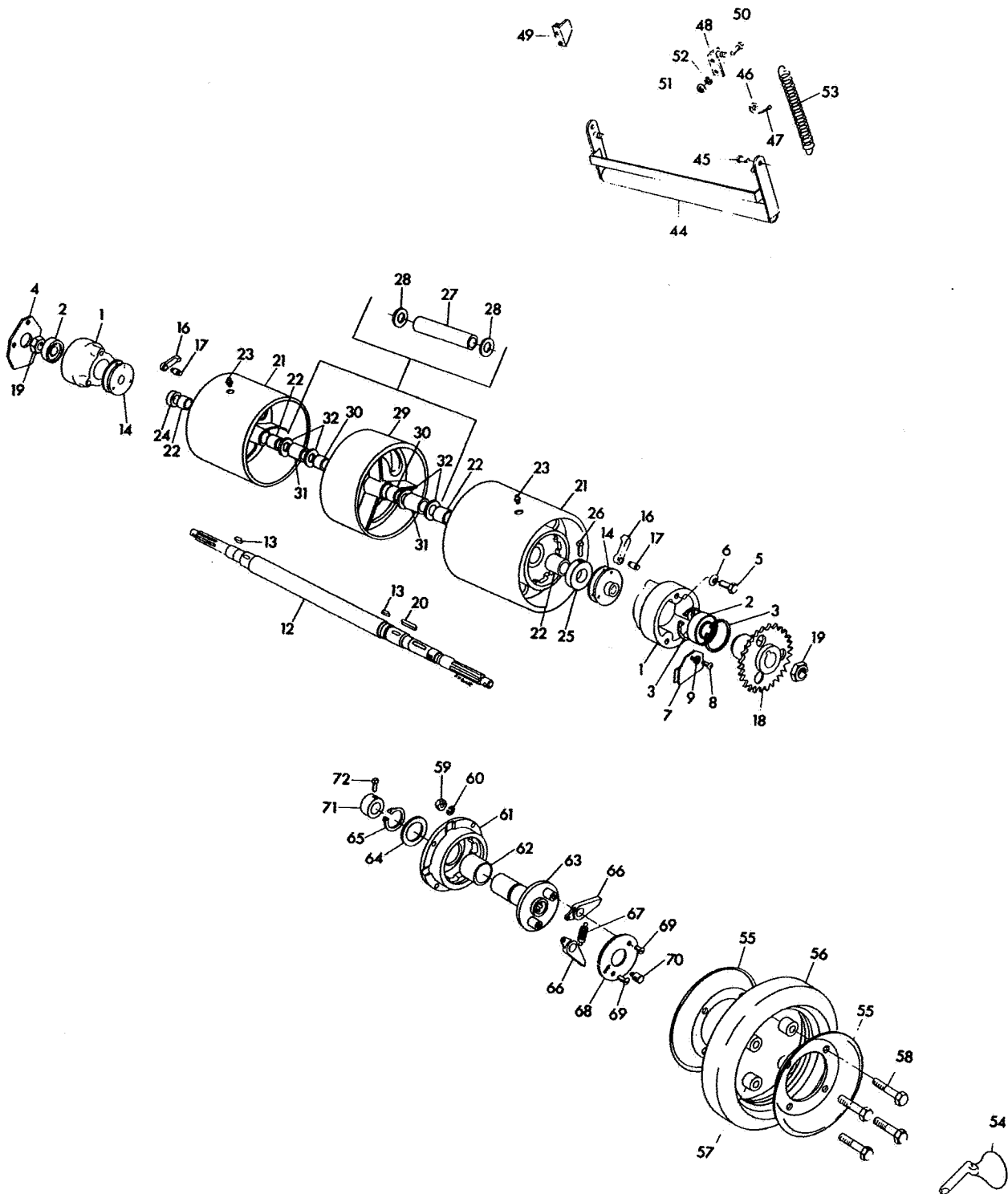
**RANSOMES  
SUPER CERTES**



ITEM	RANSOMES PART NO	DESCRIPTION 	QTY	REMARKS
1	MBC9099	BEARING HOUSING	2	
2	A203604	BEARING	2	
3	A170047	CIRCLIP	2	
4	MBC4955	COVER PLATE	1	
5	A110396	SCREW M8 X 16	6	
6	A292050	DISC SPRING	6	
7	MBC5191	COVER PLATE	1	
8	A119133	SCREW	1	
9	A150005	WASHER 5MM	1	
12	MBC4659	SPINDLE 51CM	1	
*	MBC4660	SPINDLE 61CM	1	
13	A160088	KEY	2	
14	MBC9278A	PAWL CARRIER	1	
16	LTC0017	PAWL	3	
17	A149080	RIVET	3	
18	MBE1142	CHAIN WHEEL	1	
19	MBC5464	NUT	2	
20	A160094	KEY	1	
21	MBC3145	LANDROLL	2	
22	A219310	BUSH	4	
23	GSF2542AB	LUBRICATOR	2	
24	MBC5311	DISTANCE PIECE	1	
25	MBC5312	CLAMPING COLLAR	1	
26	A119063	SCREW	1	
27	MBC3146	DISTANCE PIECE 51CM	1	
28	MBC3186	WASHER 51CM	2	
29	MBC3091	LANDROLL CENTRE 61CM	1	
30	A219310	BUSH 61CM	2	
31	MBC3147	DISTANCE PIECE 61CM	2	
32	MBC3186	WASHER 61CM	4	

\* NOT ILLUSTRATED

# RANSOMES SUPER CERTES

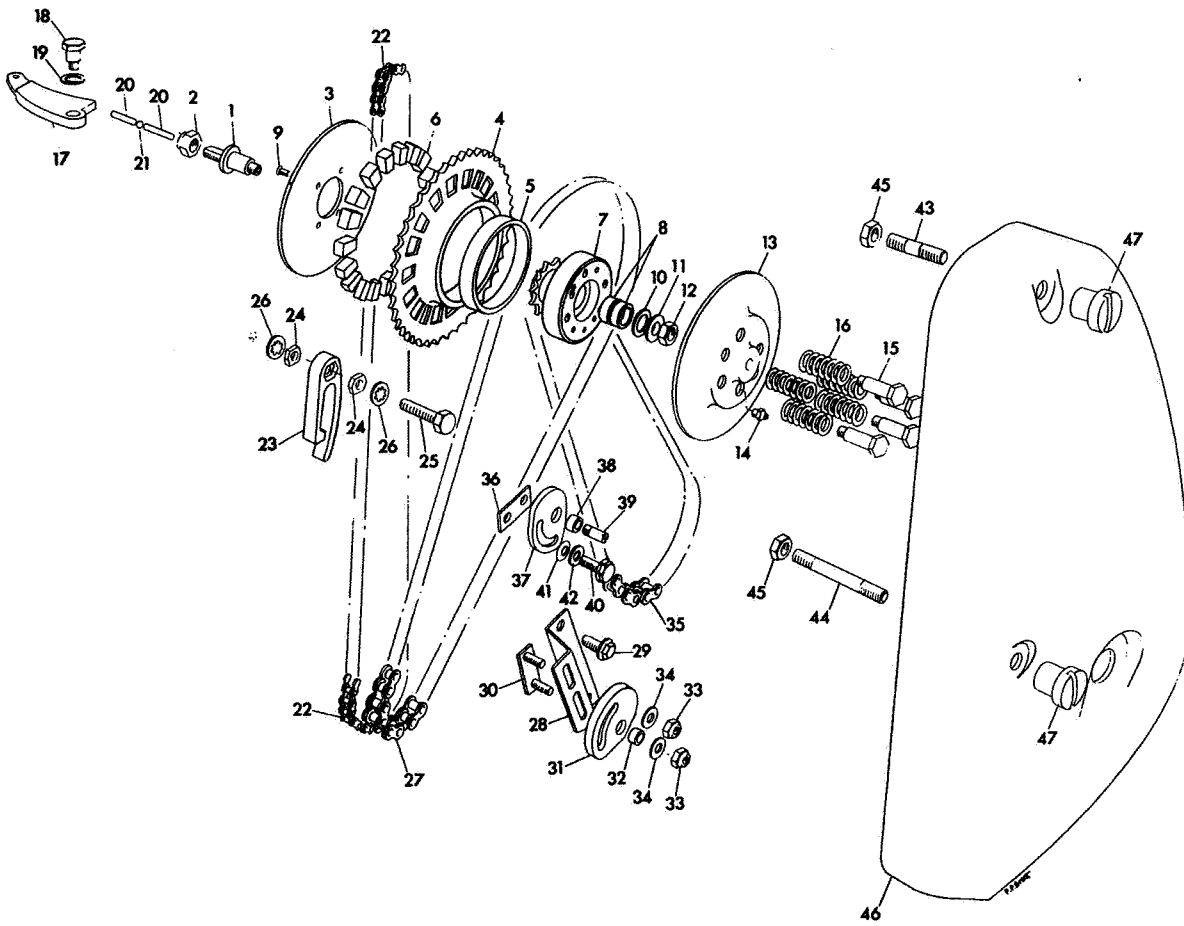




ITEM	RANSOMES PART NO	DESCRIPTION <b>GB</b>	QTY	REMARKS
45	GSF1045ED	PIN	2	
46	A150008	WASHER 8MM	2	
47	A140023	SPLIT PIN	2	
48	MBC4158	ANCHOR BRKT. LH	1	
49	MBC4157	ANCHOR BRKT. RH	1	
50	A110396	SCREW M8 X 16	4	
51	A130008	NUT M8	4	
52	A151008	S.L.WASHER 8MM	4	
53	A290094	SPRING	2	
54	H089005	PIN & RING	2	
55	MAA0618A	WHEEL FLANGE	4	
56	H931019	TYRE	2	
57	A890062	SPACER	8	
58	A100306	BOLT M8 X 30	8	
59	A130008	NUT M8	8	
60	A151008	S.L.WASHER 8MM	8	
61	MBC3090	HUB	2	
62	A219303	BUSH	2	
63	MBC4654	DRIVE FLANGE	1	
*	MBA5469	PIN	2	
*	MBC4654	DRIVE FLANGE	1	
*	MBA5469	PIN	2	
64	A150030	WASHER 30MM	2	
65	A171030	CIRCLIP	2	
66	MBA5471	PAWL	4	
67	GSF2242AF	SPRING	2	
68	MBC3997	COVER PLATE	2	
69	GSF1979AC	SCREW	4	
70	MBA5475	SCREW	2	
71	MBC4664A	DISTANCE PIECE	1	
72	A119063	SCREW	2	


\* NOT ILLUSTRATED

# RANSOMES SUPER CERTES



**PRESSURE CLUTCH & DRIVES**

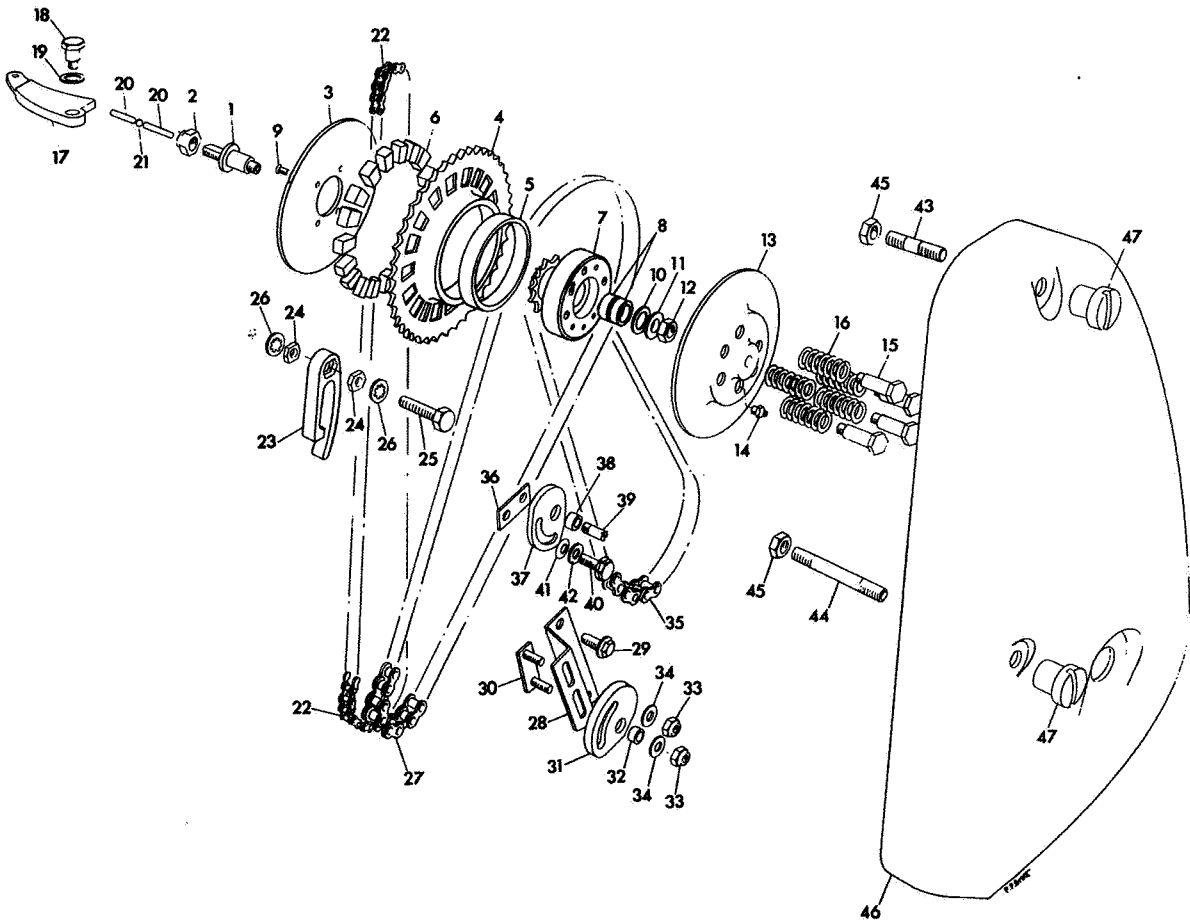
**LIST OF PARTS**

ITEM	RANSOMES PART NO	DESCRIPTION 	QTY	REMARKS
1	MBC5118ZA	SHAFT	1	
2	A133216	STIFFNUT M16	1	
3	LCG1474B	INNER PLATE	1	
4	LCG1451A	CHAINWHEEL	1	
5	LCG1453	BUSH	1	
6	LCG1452	CLUTCH PAD	18	
7	MBE2571	BODY ASSY.	1	
8	A210624	BUSH	2	
9	A119131	SCREW M5 X 16	1	
10	A219203	THRUST COLLAR	1	
11	MBC4641	COLLAR	1	
12	A139336	NUT LH	1	
13	A920054	OUTER PLATE	1	
14	A299301	LUBRICATOR	1	
15	MBC5916	SPRING BOLT	5	
16	A291101	SPRING	5	
17	MBC4430	LEVER (NON OPC M/C'S)	1	
18	MBC5918	SHOULDER PIN	1	
19	A292085	DISC SPRING	1	
20	A143408	OPERATING PIN	2	
21	A299201	BALL	1	
22	A300076	CHAIN-PRIMARY 76P	1	
22A*	A380002	CONNECTING LINK	1	
22B*	A380004	CRANKED LINK	AR	
23	LMSD991	CHAIN TENSIONER	1	
24	MBC8881	SPACER	2	
25	A110407	SCREW M10 X 35	1	
26	GSF2168AR	S.P.WASHER	2	
27	A393166	CHAIN-SECONDARY 66P	1	
27A*	A389003	CONNECTING LINK	1	
28	MBC4428	BRACKET	1	
29	A115396	SCREW M8 X 16	2	
30	MBC3955	CLAMP	1	
31	A913192	CHAIN TENSIONER	1	
32	MBC3171	BUSH	1	
33	A133208	STIFFNUT M8 (FOR 29,30, 40)	5	
34	A150008	WASHER 8MM (FOR 29, 30,40)	6	
35	A393142	CHAIN-FINAL 42P	1	
35A*	A389003	CONNECTING LINK	1	
36	MBC5095	PLATE	1	
37	A913192	CHAIN TENSIONER	1	
38	MBC3171	BUSH	1	
39	MBC9758	STUD	1	
40	A116308	SCREW	1	
41	A292050	DISC SPRING	1	

\* NOT ILLUSTRATED

# RANSOMES SUPER CERTES

---



**PRESSURE CLUTCH & DRIVES**

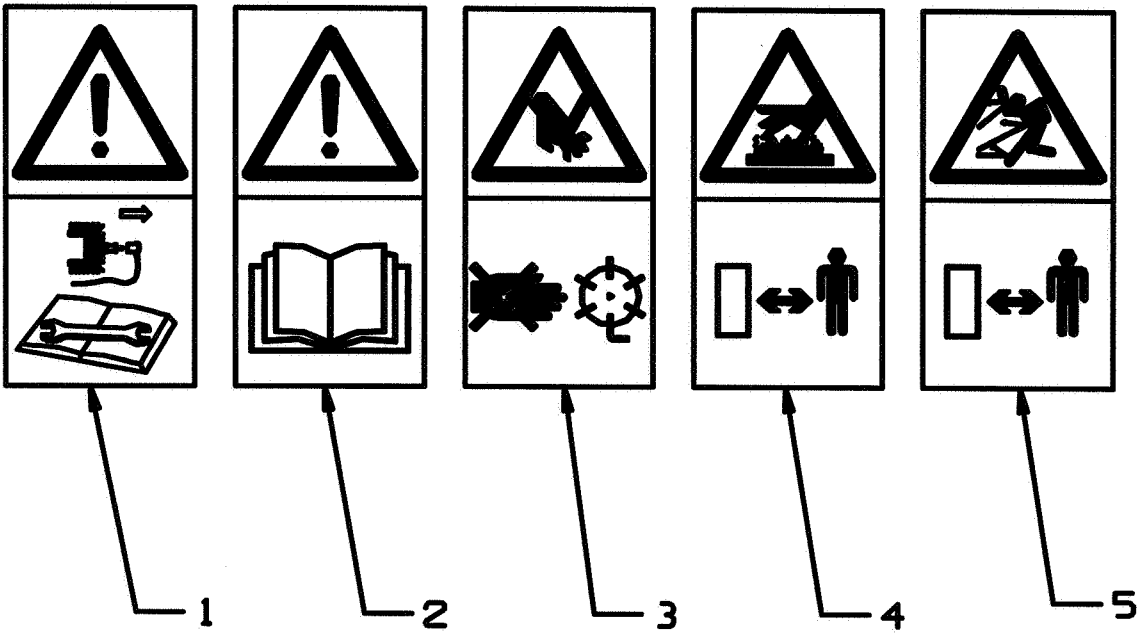
**LIST OF PARTS**

ITEM	RANSOMES PART NO	DESCRIPTION <b>GB</b>	QTY	REMARKS
42	A150008	WASHER 8MM	1	
43	A109226	STUD	1	
44	MBC7111	STUD	1	
45	A130008	NUT M8	2	
46	MBC4705	COVER ASSEMBLY	1	
46A*	A914872	• INSULATION	1	FOR ITEM 46.
47	MBE3667	NUT	2	
*	A295222	PLUG	1	

\* NOT ILLUSTRATED

**RANSOMES  
SUPER CERTES**

---



**DECALS**

**LIST OF PART**

ITEM	RANSOMES PART NO	DESCRIPTION <b>GB</b>	QTY	REMARKS
*	A903713	LABEL/RANSOMES 51 SUPER CERTES	1	
*	A903714	LABEL/RANSOMES 61 SUPER CERTES	1	
*	A903622	LABEL/RANSOMES- HANDLES (NON OPC M/C'S)	1	
*	A903613	LABEL/RANSOMES- GRASSBOX	1	
*	A903320	LABEL/ON-OFF- TOP COVER (NON OPC M/C'S)	1	
*	A903462	LABEL/HOC	1	
*	A903476	LABEL - NOISE SOUND POWER		
1	A903497	LABEL	1	
2	A903491	LABEL	1	
3	A903494	LABEL	1	
4	A903492	LABEL	1	
5	A903489	LABEL	1	
*	A903929	LABEL - CE	1	
*	A903495	LABEL - ON/OFF (OPC M/C'S)	1	

\* NOT ILLUSTRATED







