

## Parts Manual

---

### **Ransomes Super Certes 51 & 61, Super Bowl 51 and Marquis 51 & 61 Walkbehind Reel Mowers**

Super Certes 51	Series: EC3	Product Code: LDFC500	Engine type: Honda GX120-QX9
Super Certes 61	Series: JG	Product Code: LDFC600	Engine type: Honda GX120-QX9
Super Bowl 51	Series: JF	Product Code: LDFD500	Engine type: Honda GX120-QX9
Marquis 51	Series: EF3	Product Code: LDAA500	Engine type: Honda GX120-QX9
Marquis 61	Series: EG3	Product Code: LDCB600	Engine type: Honda GX120-QX9



**WARNING:** If incorrectly used this machine can cause severe injury. Those who use and maintain this machine should be trained in its proper use, warned of its dangers and should read the entire manual before attempting to set up, operate, adjust or service the machine.



Ransomes Jacobsen Limited reserves the right to make design changes without obligation to make these changes on units previously sold and the information contained in this manual is subject to change without notice.

# TABLE OF CONTENTS

SECTION	PAGE	SECTION	PAGE
1.1	MAINFRAME .....		6
1.2	ENGINE .....		8
1.3	TRANSMISSION CLUTCH.....		10
2	CUTTING CYLINDER.....		12
3	HANDLE .....		16
4.1	BRAKES AND LANDROLL SCRAPER FOR MARQUIS AND SUPER BOWL .....		18
4.2	BRAKES AND LANDROLL SCRAPER FOR SUPER CERTES .....		20
5.1	FRONT ROLL FOR SUPER BOWL AND SUPER CERTES .....		22
5.2	FRONT ROLL FOR MARQUIS 51.....		26
5.3	FRONT ROLL FOR MARQUIS 61.....		28
6.1	LANDROLL FOR SUPER CERTES 51 AND 61.....		30
6.2	LANDROLL FOR MARQUIS 51 & 61 AND SUPER BOWL 51 .....		32
7	KICKSTAND .....		34
8.1	DRIVES AND LANDROLL CLUTCH .....		36
8.2	CHAIN TENSIONER.....		40
9	DECALS .....		42
10	TRANSPORT WHEELS (SUPER CERTES ONLY) .....		44
11.1	PLAIN STEEL ROLL.....		46
11.2	GROOVED FRONT ROLL.....		48
11.3	VERTI-GROOM KIT .....		50
11.4	TOW BAR FOR MARQUIS 61 ONLY.....		54
11.5	TRAILING SEAT FOR MARQUIS 61 ONLY.....		56

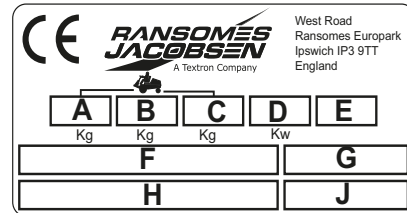
# SMALL PEDESTRIAN MOWERS

## INTRODUCTION

### PRODUCT IDENTIFICATION

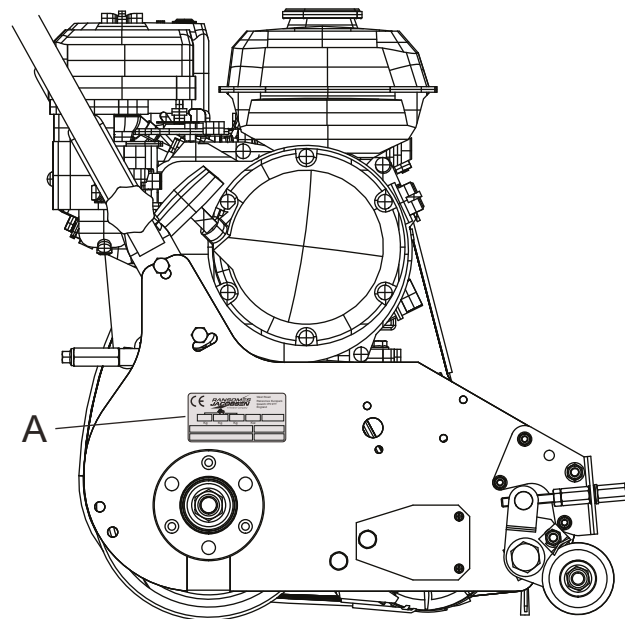
#### 2.2 PRODUCT IDENTIFICATION

- A Maximum front axle load in Kg (for machines being driven on the highway)
- B Gross weight (mass) in Kg
- C Maximum rear axle load in Kg (for machines being driven on the highway)
- D Power in Kw
- E Date code
- F Machine type (Designation)
- G Product code
- H Product name
- J Serial number



#### Serial Plate Location

The serial plate A is located on the right hand chassis side plate.



### SPARES STOCKING GUIDE

To keep your equipment fully operational and productive, Ransomes suggests you maintain a stock of the more commonly used maintenance items. We have included part numbers for the additional support materials and training aids.

SERVICE SUPPORT MATERIAL	
Part No.	Description
<a href="http://engines.honda.com/parts-and-support/owners-manuals">http://engines.honda.com/parts-and-support/owners-manuals</a>	Engine Parts Manual
	Engine Operators Manual
	Engine Service Manual

## HOW TO USE THE PARTS MANUAL

### ITEM NUMBER

Each part which is identified in the illustrations has an item number. Parts which do not have an item number may not be readily identified in the illustration but are usually closely associated with the immediately adjacent part.

### ASSEMBLIES

A complete assembly, e.g. a wheel motor or hydraulic motor or roll assembly, is listed as a complete item with subsequent individual components listed separately.

The assembly is listed under it's part number with component parts being listed offset to the right, e.g:-

ITEM	PART NO.	DESCRIPTION	QTY	REMARKS
4295	MBG2504	Bracket	1	
4296	MBG3848	Latch	2	
4298	450865	Screw, M8 X 20, Sckt Csk Hd	2	
4300	450378	Nut, M8 Nyloc	2	
4301	WI001	Set Of Wheels	1	
4301.1	008162130	• Wheel & Hub Assy	1	(Rear)
4301.2	008170390	•• Tyre	1	
4301.3	008161830	•• Rim	1	
4301.4	008169140	•• Hub Assy.	1	
4301.5	008169150	•• Cap	1	
4301.6	002993010	•• Lubricator	1	
4301.7	008161990	• Wheel & Tyre	2	(Front)
4301.8	008170780	•• Tyre	2	

It may not be possible to illustrate every item. With certain items purchased from outside suppliers some component parts may not be available from Ransomes and may need to be specially ordered from the supplier.

### QUANTITIES

Quantities shown are for one assembly or sub-assembly.

### USING THE PARTS LIST

Determine the function and application of the part required. Turn to the main index page and select the appropriate section. Locate the part on the illustration and parts list and read off the quantity from the appropriate MODEL column.

### NUMERICAL INDEX

This is a summary of all part numbers used in the manual arranged in numerical sequence and showing the page and item number under which the parts appear.

### ORDERING OF SPARE PARTS

When ordering replacement parts, it is most important to quote the SERIAL NUMBER of the machine, PART NUMBER, DESCRIPTION and QUANTITY required.

Any arbitrary modifications carried out on this machine may relieve the manufacturer of liability for any resulting damage or injury.

### ABBREVIATIONS

N/A Not Available  
AR As Required

## GUIDELINES FOR THE DISPOSAL OF SCRAP PRODUCTS

### DURING SERVICE LIFE

Used oil, oil filters and engine coolant are hazardous materials and should be handled in a safe and environmentally responsible way.

In the event of a fluid leak, contain the spill to prevent it entering the ground or drainage system. Local legislation will dictate how such spills are to be treated.

Following the maintenance procedures laid out in this manual will ensure that the impact the machine has on the local environment is controlled.

When it has been identified that a turf care product has no further functional value and requires disposal, the following actions should be taken.

### END OF SERVICE LIFE

These guidelines should be used in conjunction with applicable Health, Safety and Environmental legislation and use of approved local facilities for waste disposal and recycling.

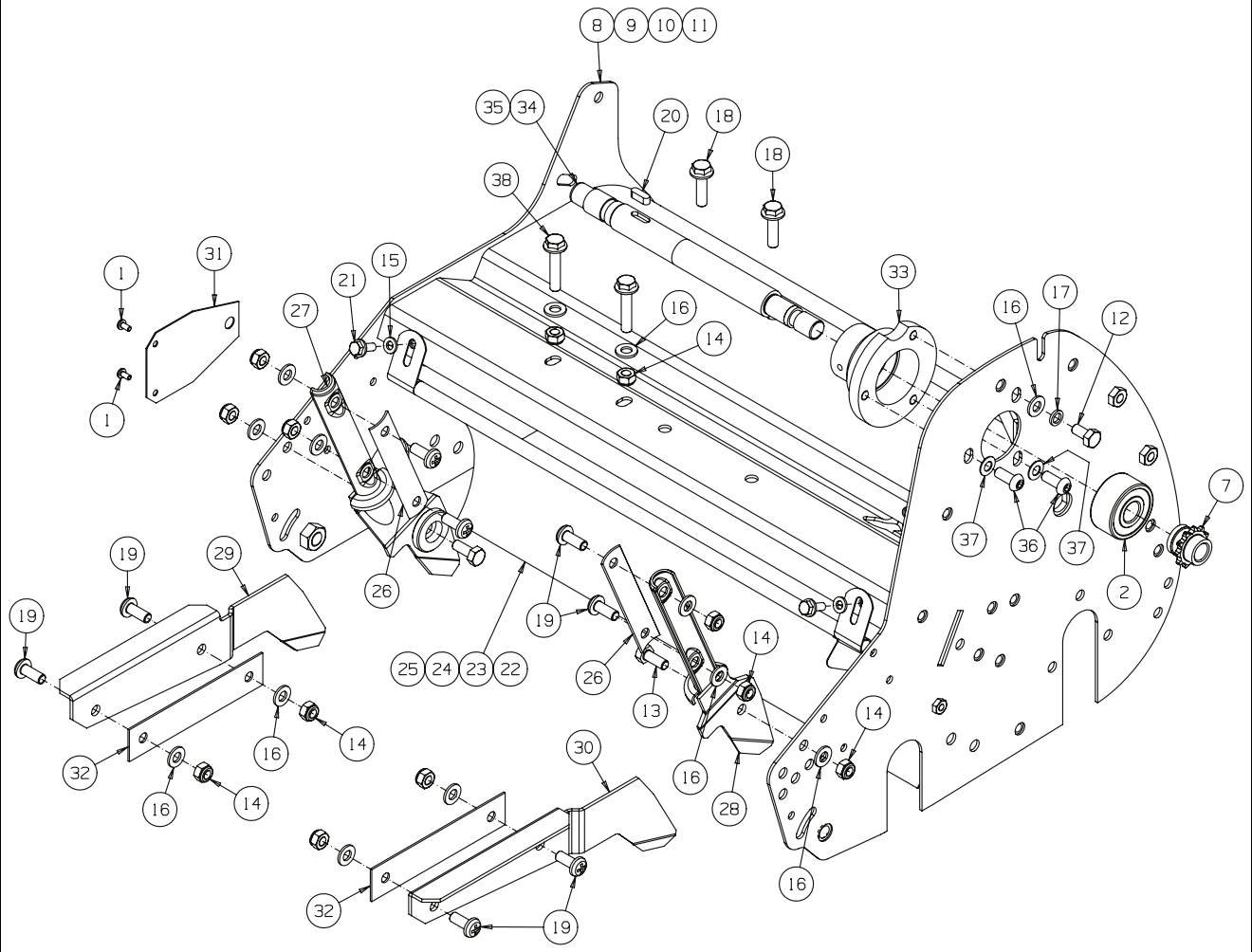
- Position the machine in a suitable location for any necessary lifting equipment to be used.
- Use appropriate tools and Personal Protective Equipment (PPE) and take guidance from the technical manuals applicable to the machine.
- Remove and store appropriately:
  1. Batteries
  2. Fuel residue
  3. Engine coolant
  4. Oils
- Disassemble the structure of the machine referring to the technical manuals where appropriate. Special attention should be made for dealing with 'stored energy' within pressurised elements of the machine or tensioned springs.
- Any items that still have a useful service life as second hand components or can be re-serviced should be separated and returned to the relevant centre.
- Other worn out items should be separated into material groups for recycling and disposal consistent with available facilities. More common separation types are as follows:
  - Steel
  - Non ferrous metals
    - Aluminium
    - Brass
    - Copper
  - Plastics
    - Identifiable
    - Recyclable
    - Non recyclable
    - Not identified
  - Rubber
  - Electrical & Electronic Components
- Items that cannot be separated economically into different material groups should be added to the 'General waste' area.
- Do not incinerate waste.

Finally update machinery records to indicate that the machine has been taken out of service and scrapped. Provide this serial number to Ranmsomes Jacobsen Warranty department to close off relevant records.



1.1 MAINFRAME

Illustration Number: 4246970-2



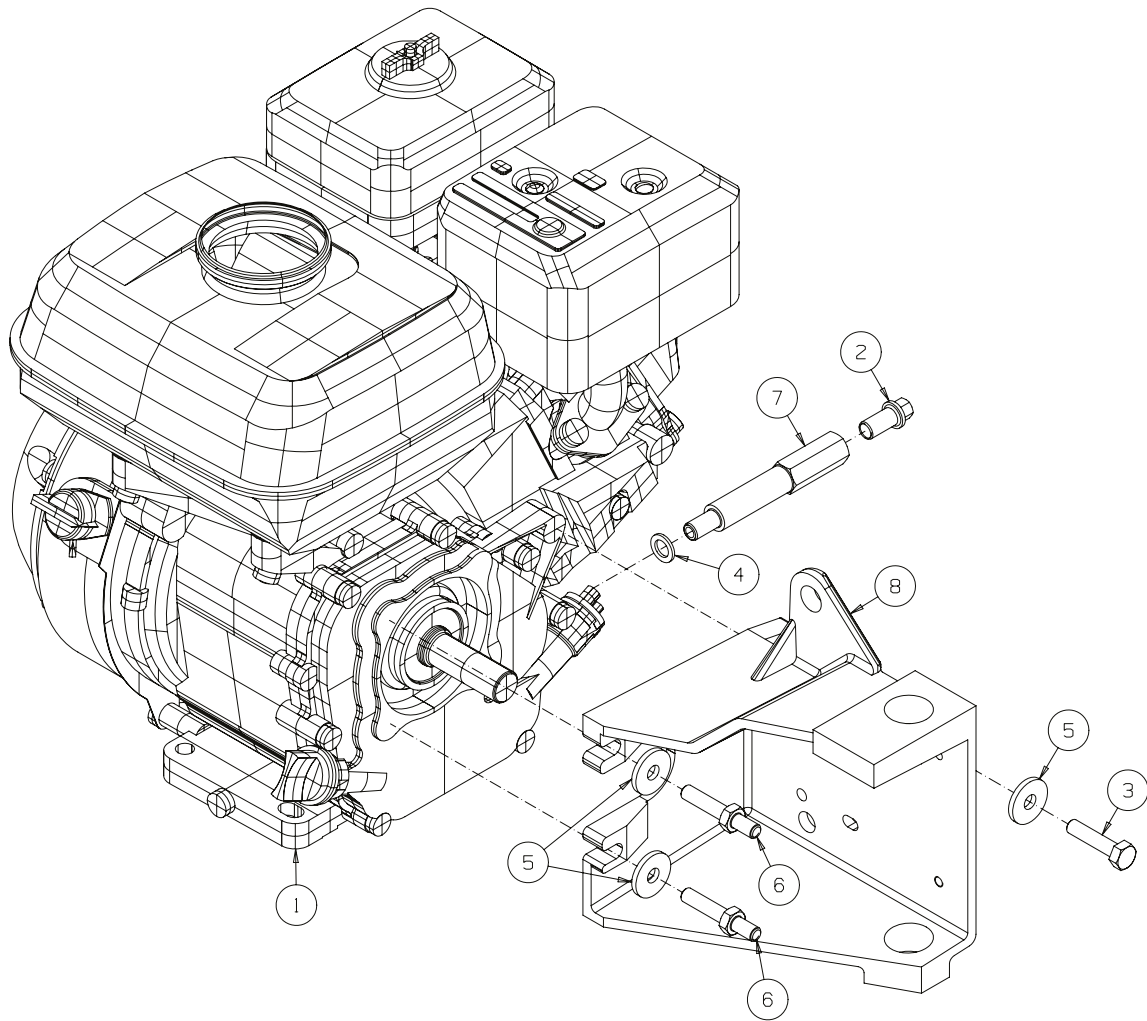


## 1.1 MAINFRAME

ITEM	PART NO.	DESCRIPTION	QTY	
1	001191357	Scrw-Pan Hd M4 x 8, Taptite	2	
2	002090580	Brg-Ball 17 x 47 x 22.2	1	
3	009133066	Grassbox	1	Marquis 51 & S/Bowl 51
4	009133074	Grassbox	1	Marquis 61
5	009133414	Grassbox	1	Super Certes 51
6	009133422	Grassbox	1	Super Certes 61
7	MBG6386	Pinion-11T x 3/8 Pitch	1	
8	4139972	Wldmt-Main Frame	1	S/Bowl & S/Certes 51
9	4139973	Wldmt-Main Frame	1	Super Certes 61
10	4139974	Wldmt-Main Frame	1	Marquis 51
11	4139975	Wldmt-Main Frame	1	Marquis 61
12	450190	Scrw-Hex M8 x 16	1	
13	450191	Scrw-Hex M8 x 20	2	
14	450378	Nut-Hex M8 Nyloc	12	
15	450389	Wshr-M6 x 12.5 x 1.8	2	
16	450390	Wshr-M8 x 17 x 1.8	13	
17	450411	Lockwshr-M8 x 12.75 x 2	1	
18	450473	Scrw-Hex M8 x 30 Verbus Ripp	2	
19	450552	Scrw-Pan Hd M8 x 20	8	
20	452174	Key - 6 x 6 x 18	1	
21	452694	Scrw-Hex M6 x 16 Taptite	2	
22	MBA5024	51 cm Concave	1	Marquis
23	MBB0204	51 cm Concave	1	Super Bowl & Super Certes
24	MBC3478	61 cm Concave	1	Super Certes
25	MBC4526	61 cm Concave	1	Marquis
26	MBC7064	Plate	2	For Marquis
27	MBC8847	Wldmt-Grassbox Brkt RH	1	For Marquis
28	MBC8850	Wldmt-Grassbox Brkt LH	1	For Marquis
29	MBC9892	Grassbox Bracket RH	1	For S/Bowl & S/Certes
30	MBC9893	Grassbox Bracket LH	1	For S/Bowl & S/Certes
31	MBC9657	Cover Plate	1	
32	MBC9900	Plate	2	For S/Bowl & S/Certes
33	MBG6358	Housing-Bearing	1	
34	MBG6377	Shaft-Drive, 51 Pedstrns	1	
35	MBG6379	Shaft-Drive, 61 Pedstrns	1	
36	001290337	Scrw-Button Hd M8 x 20	2	
37	002920501	Sprg-Disc 8.2 x 16 x 0.9	2	
38	450474	Scrw-Hex M8 x 40 Verbus Ripp	2	

1.2 ENGINE

Illustration Number: 4246975-2

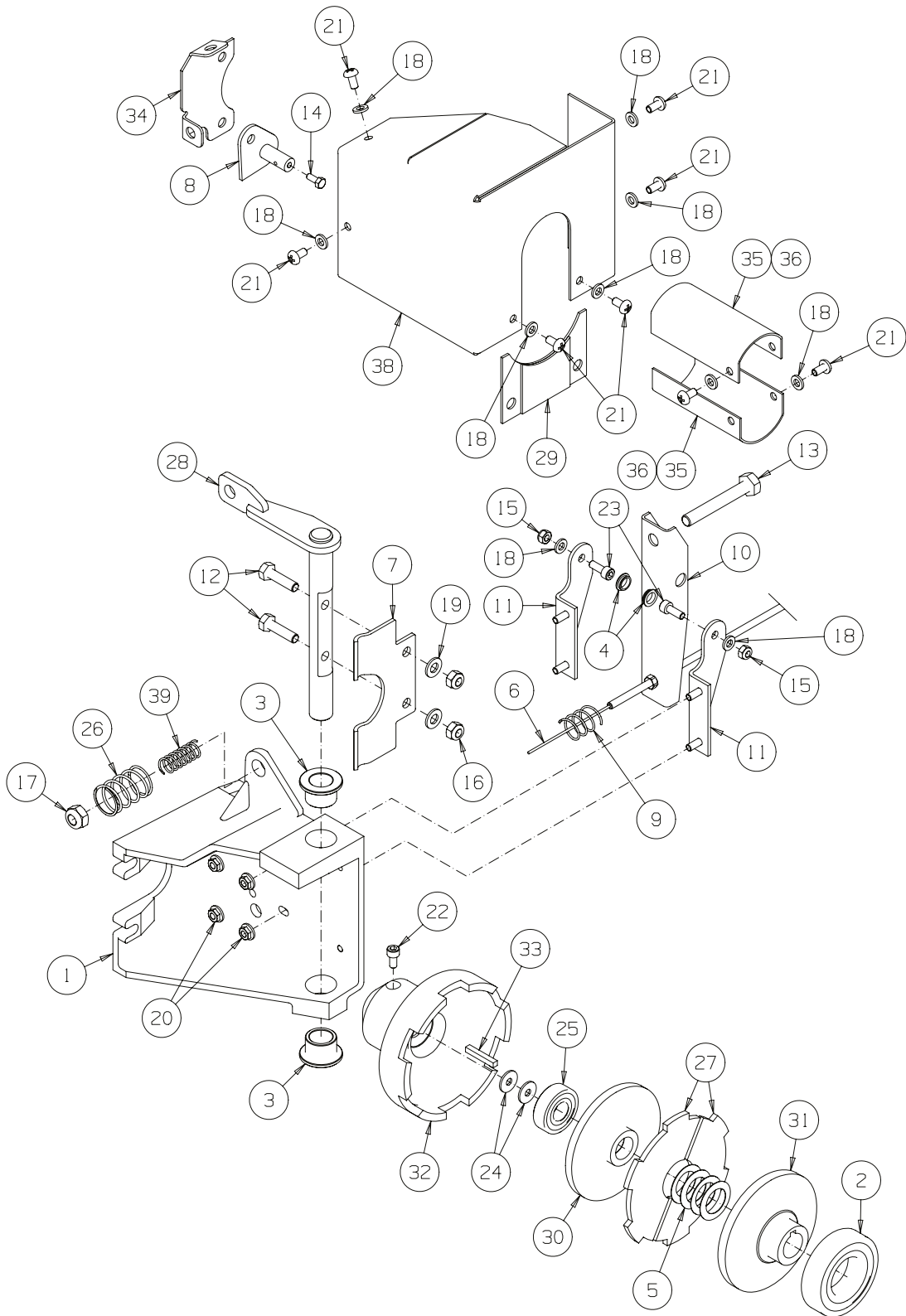


## 1.2 ENGINE

ITEM	PART NO.	DESCRIPTION	QTY	
1	4246270	Engine-Honda Gx120-QX9	1	
2	Ex Honda	Drain Plug	1	
3	450015	Bolt-Hex M8 x 35	1	
4	670000116	Wshr-Fibre 25/64 x 5/8 x 1/16	1	
5	MBA5289A	Wshr-6.6 x 11 x 2	3	
6	MBG6202	Stud-Clutch Mounting	2	
7	MBG6288	Drain Plug Extension	1	
8	MBG6195	Housing-Clutch	1	

1.3 TRANSMISSION CLUTCH

Illustration Number: 4246976-2

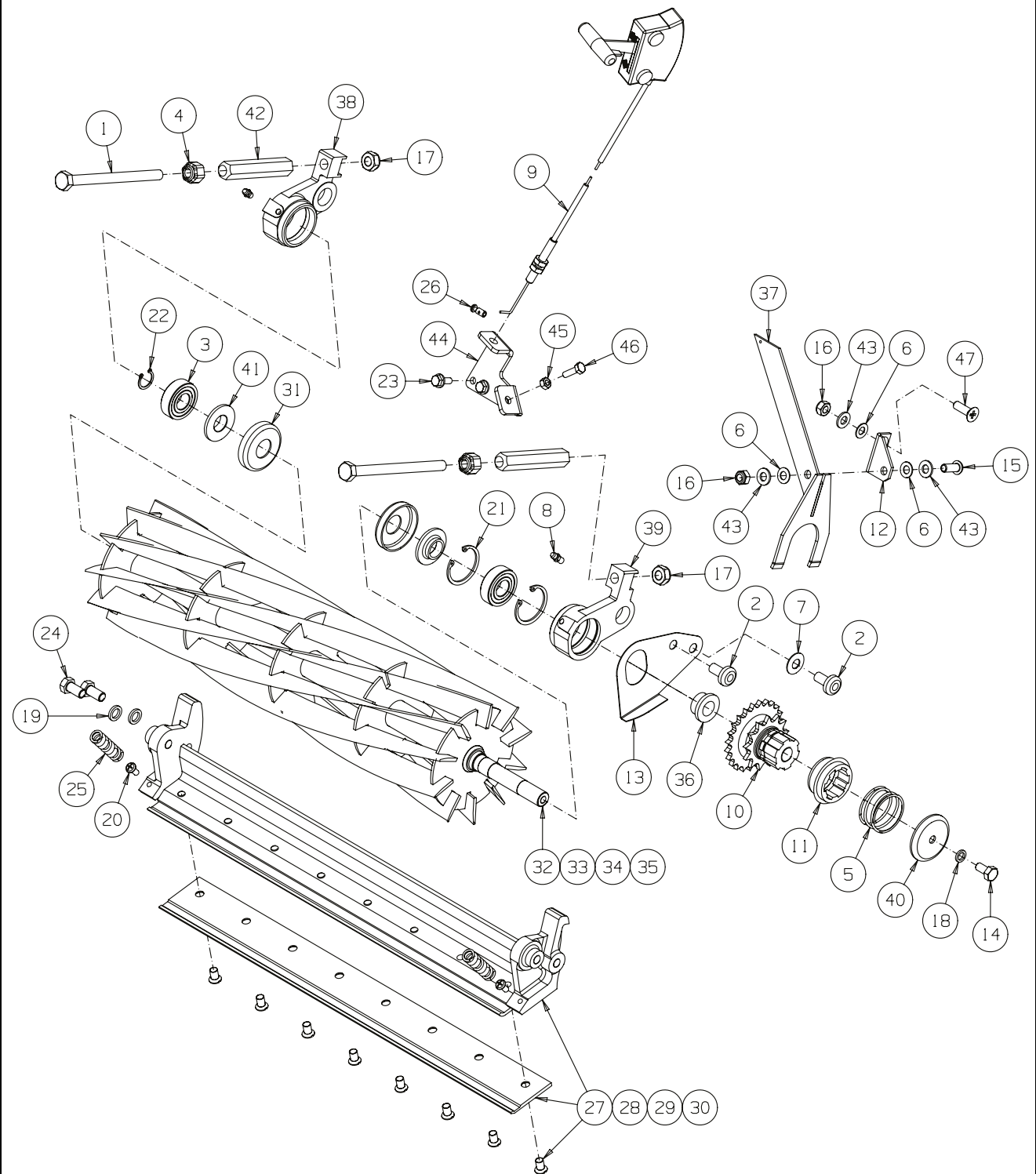


## 1.3 TRANSMISSION CLUTCH

ITEM	PART NO.	DESCRIPTION	QTY	
1	MBG6195	Housing-Clutch	1	
2	002036070	Brg-Ball 35 x 72 x 17	1	
3	002190220	Bush-Flng 3/4 x 1 x 3/4	2	
4	002193360	Brg-Nyliner 10 x 11.6 x 2	2	
5	002921240	Sprg-Disc 22.4 x 34.6 x 0.5	4	
6	009067840	L/R Clutch Cable	1	
7	3005380	Fingers, Clutch	1	
8	4130976	Wldmt-Cable Bracket	1	
9	4130986	Spring	1	
10	4132655	Lever-Main Clutch	1	
11	4132657	Wldmt-Brkt, Lever Mtg	2	
12	450014	Bolt-Hex M8 x 30	2	
13	450036	Bolt-Hex M10 x 70	1	
14	450149	Scrw-Hex M5 x 12	1	
15	450377	Nut-Hex M6 Nyloc	2	
16	450378	Nut-Hex M8 Nyloc	2	
17	450379	Nut-Hex M10 Nyloc	1	
18	450389	Wshr-M6 x 12.5 x 1.8	10	
19	450390	Wshr-M8 x 17 x 1.8	2	
20	450452	Nut-Hex M6 Verbus Ripp	4	
21	450539	Scrw-Pan Hd M6 x 12	8	
22	450710	Capscrw-Sckt M6 x 12	1	
23	450711	Capscrw-Sckt M6 x 16	2	
24	452000237	Wshr-1/4 x 3/4 x .064	2	
25	820000036	Brg-Align 12 x 40 x 12	1	
26	J3004610	Spring	1	
27	J555795	Split Clutch Disc	2	
28	MBF2221	Asm-Clutch Arm	1	
29	MBF2239	Plate-Cover	1	
30	MBG5955	Clutch Plate	1	
31	MBG5958	Clutch Plate	1	
32	MBG6065	Clutch Housing	1	
33	Ex Honda	Key-3/16 x 3/16 x 1-1/4	1	
34	MBG6527	Bracket-Cover	1	
35	MBG6571	Tube-Cover	2	For Marquis, S/Bowl & S/Certes 51
36	MBG6576	Tube-Cover	2	For Marquis & S/Certes 61
37	MBG6239	Spacer-Tapped 32 x 45 x 20	1	For Marquis & S/Certes 61
38	MBG6724	Cover-Front	1	
39	461102831	Sprg-Comp 5/8 x .056 x 1-1/2	1	

2 CUTTING CYLINDER

Illustration Number: 4246978-2

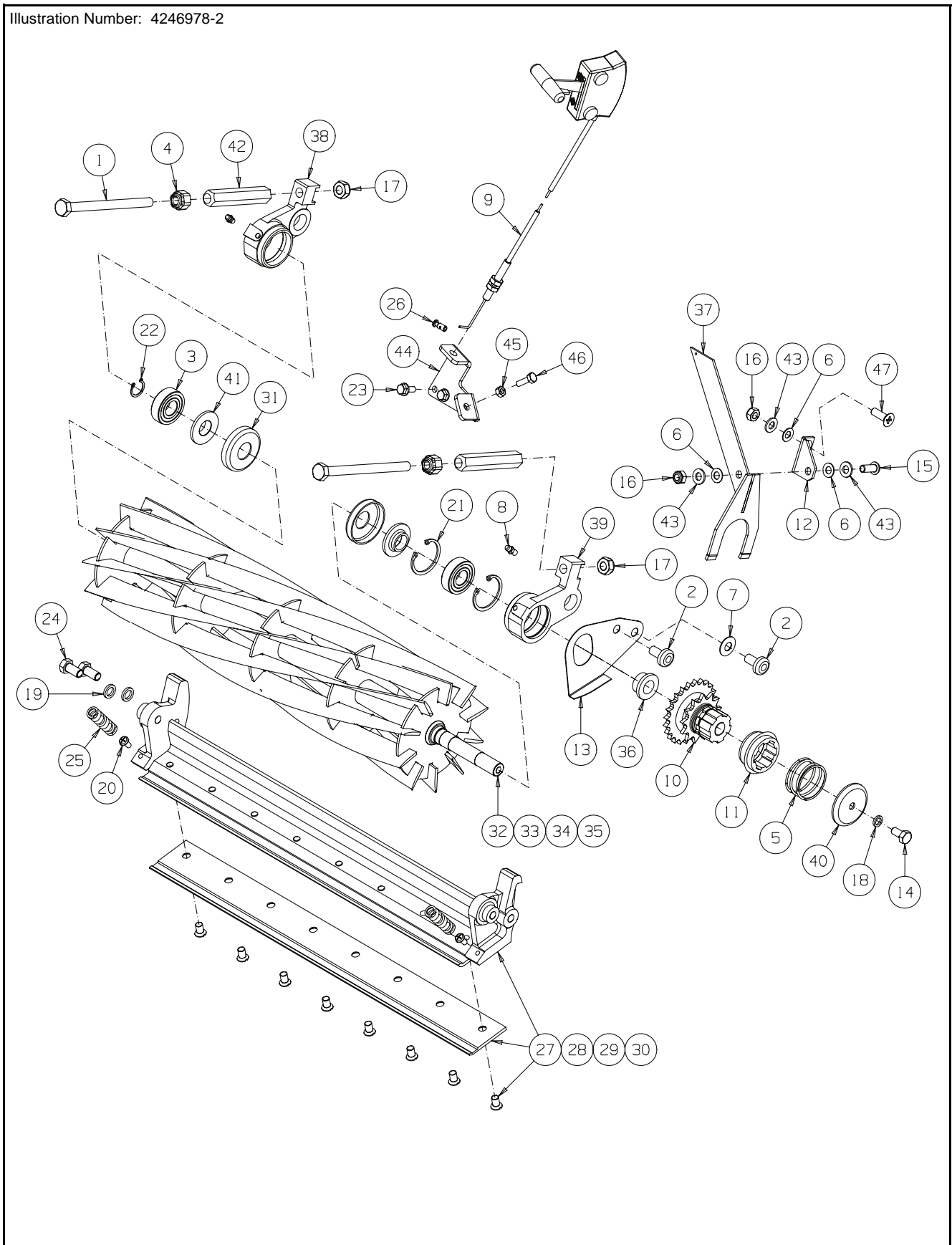


## 2 CUTTING CYLINDER

ITEM	PART NO.	DESCRIPTION	QTY	
1	001090731	Bolt-Hex M10 x 140 (75THD)	2	
2	001290094	Scrw-Button Hd 3/8-24 x 3/4	2	
3	002036031	Brg-Ball 17 x 40 x 12	2	
4	002299358	Seal	2	
5	002910760	Spring-Comp 43 I/D x .092" x 20	1	
6	002920501	Sprg-Disc 8.2 x 16 x 0.9	3	
7	002920836	Sprg-Disc 10.2 x 23 x 1	1	
8	002993013	Lubricator-M6 Str	2	
9	008111210	Clutch Cable	1	
10	LMSE122	Pinion & Sleeve, Reel Drive	1	
*	002106424	o Bush-Oilite 22 x 27 x 25	1	
11	MBC5294	Sliding Clutch	1	
12	MBC5093	Bracket	1	
13	MBC4686A	Cover Plate	1	
14	450190	Scrw-Hex M8 x 16	1	
15	001290337	Scrw-Button Hd M8 x 20	1	
16	450378	Nut-Hex M8 Nyloc	2	
17	450379	Nut-Hex M10 Nyloc	2	
18	450411	Lockwshr-M8 x 12.75 x 2	1	
19	450412	Lockwasher-M10 x 15.9 x 2.5	2	
20	451153	Scrw-Pan Hd No.12 x 13	2	
21	451970	Circlip-Int 40 x 1.75 T	2	
22	452042	Circlip-Ext 17 x 1 T	1	
23	452694	Scrw-Hex M6 x 16 Taptite	2	
24	456010331	Scrw-Hex 3/8-24 x 3/4	2	
25	461003665	Spring	2	
26	804100288	Solderless Nipple	1	
27	LMAY588A	Block & Blade Asm	1	S/Bowl & S/Certes 51
*	MBA7051	• Bottom Blade	1	
*	001190026	• Scrw-Csk 5/16-18 x 3/8	8	
28	LMAA786A	Block & Blade Asm	1	Super Certes 61
*	MBA7083	• Bottom Blade	1	
*	001190026	• Scrw-Csk 5/16-18 x 3/8	8	
29	LMAY590A	Block & Blade Asm	1	Marquis 51
*	MBA7017	• Bottom Blade	1	
*	001190026	• Scrw-Csk 5/16-18 x 3/8	6	
30	LMAA787A	Block & Blade Asm	1	Marquis 61
*	MBA7050	• Bottom Blade	1	
*	001190026	• Scrw-Csk 5/16-18 x 3/8	7	
31	LOY0013	Dust Cover	2	
32	MBC3139E	Wldmt-Cyl 10K x 51 cm	1	S/Bowl & S/Certes 51
33	MBC3140E	Wldmt-Cyl 10K x 61 cm	1	Super Certes 61
34	MBF2159	Wldmt-Cyl 6K x 51 cm	1	Marquis 51

2 CUTTING CYLINDER

Illustration Number: 4246978-2



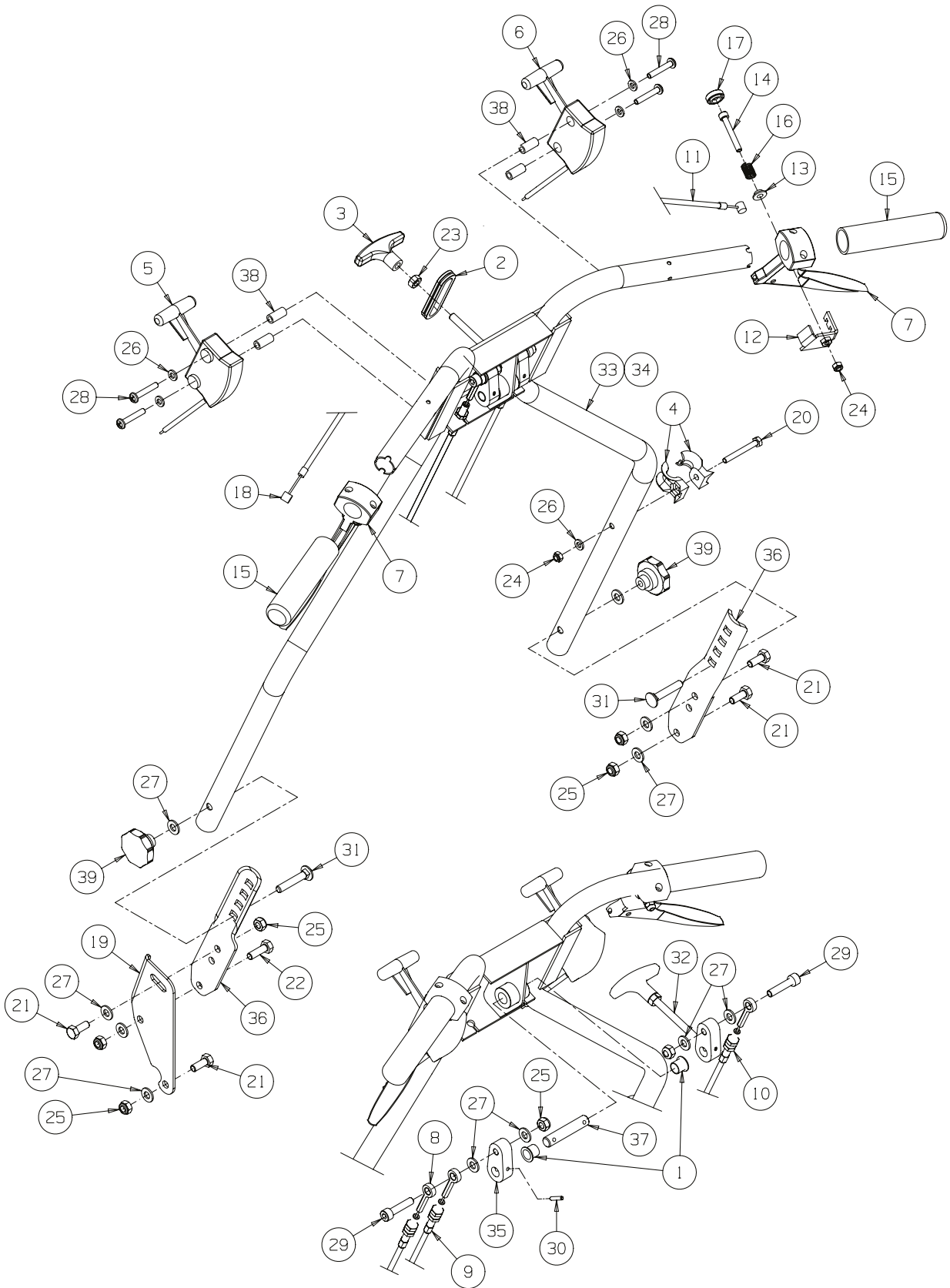


## 2 CUTTING CYLINDER

ITEM	PART NO.	DESCRIPTION	QTY	
35	MBC4518E	Wldmt-Cyl 5K x 61 cm	1	Marquis 61
36	MBC3183	Distance Piece	1	
37	MBC3962B	Wldmt-Clutch Lever	1	
38	MBC3979	Bearing Housing RH	1	
39	MBC3980	Bearing Housing LH	1	
40	MBC5316	Retaining Plate	1	
41	MBC5915	Grease Ring	2	
42	MBC7028	Locknut-Hex M10 x 95 Lg	2	
43	450390	Wshr-M8 x 17 x 1.8	3	
44	MBC4348	Bracket	1	
45	450323	Nut-Hex M6	1	
46	450171	Scrw-Hex M6 x 20	1	
47	450634	Scrw-Csk M8 x 25	1	
		ALTERNATIVE FITTINGS		
*	MBA7057	Bottom Blade (Thin) 51cm	1	Super Bowl & Super Certes 51
*	MBA7092	Bottom Blade (Thin) 61cm	1	Super Certes 61

3 HANDLES

Illustration Number: 4246993-2

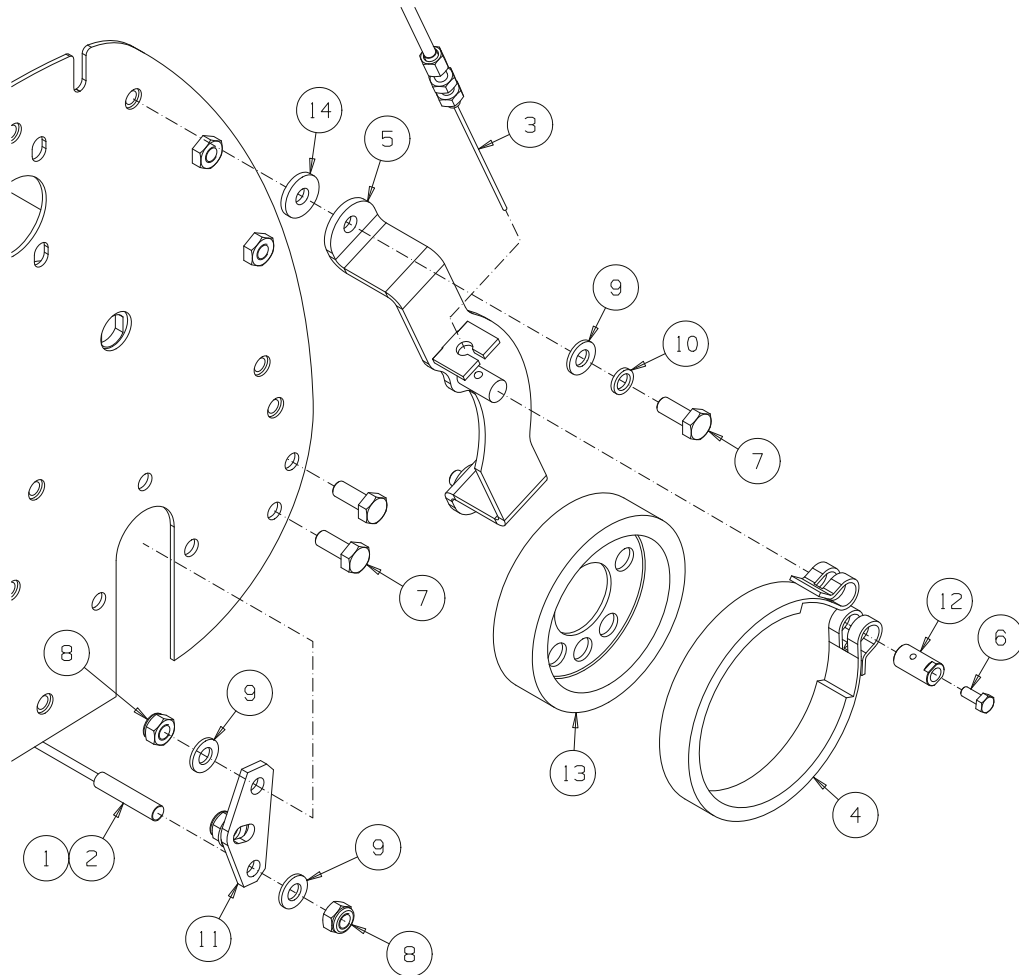


## 3 HANDLES

ITEM	PART NO.	DESCRIPTION	QTY	
1	002193350	Brg-Nyliner 12 x 13.6 x 12	2	
2	002953390	Grommet	1	
3	002990800	Tee Handle	1	
4	006500400	Recoil Rope Guide	1	
5	008111210	Clutch Cable	1	
6	008111230	Throttle Control	1	
7	008111400	Lever-Landroll Clutch, Pedestrians	2	
8	009067800	Cable-Brake	1	Super Certes Only
9	009067810	Cable-Brake	1	Marquis & Super Bowl Only
10	009067820	Cable-Brake	1	Super Certes Only
11	009067840	L/R Clutch Cable	1	
12	4130979	Handle Bracket	1	
13	4130982	Spring Spigot	1	
14	4130983	Special Cap Screw	1	
15	4130984	Handle Grip	2	
16	4130985	Conical Spring	1	
17	4131063	Knurled Knob	1	
18	4139803	L/R Clutch Cable	1	
19	MBG6219	Handle Bracket Lh	1	
20	450177	Scrw-Hex M6 x 50	1	
21	450191	Scrw-Hex M8 x 20	4	
22	450192	Scrw-Hex M8 x 25	1	
23	450324	Nut-Hex M8	1	
24	450377	Nut-Hex M6 Nyloc	2	
25	450378	Nut-Hex M8 Nyloc	7	
26	450389	Wshr-M6 x 12.5 x 1.8	5	
27	450390	Wshr-M8 x 17 x 1.8	11	
28	450545	Scrw-Pan Hd M6 x 35	4	
29	450726	Capscrw-Sckt M8 x 35	2	
30	451617	Pin-Tension 4 x 20	2	
31	452568	Bolt-Crg M8 x 45	2	
32	MBF2097	Asm-Brake Lever	1	
33	MBF2143	Wldmt-Handles, 51 cm	1	
34	MBF2149	Wldmt-Handles, 61 cm	1	
35	MBG5994.07	Lever-Brake	1	
36	MBG6150	Dagger Plate	2	
37	MBG6191	Pivot Shaft	1	
38	MBG6428	Spacer-6.3 x 10 x 21.5	4	
39	002990293	Plastic Star Knob-M8 x 40	2	

4.1 BRAKES AND LANDROLL SCRAPER FOR MARQUIS AND SUPER BOWL

Illustration Number: 4246982



## 4.1 BRAKES AND LANDROLL SCRAPER FOR MARQUIS AND SUPER BOWL

ITEM	PART NO.	DESCRIPTION	QTY	
1	009067130	Scraper	1	Marquis & S/Certes 61
2	009067150	Scraper	1	Marquis, S/Bowl & S/Certes 51
3	009067810	Cable-Brake	1	Marquis & S/Bowl Only
4	009151220	Brake Band	1	
5	MBF2157	Wldmt-Brake Bracket	1	
6	450149	Scrw-Hex M5 x 12	1	
7	450191	Scrw-Hex M8 x 20	6	
8	450378	Nut-Hex M8 Nyloc	6	
9	450390	Wshr-M8 x 17 x 1.8	8	
10	450411	Lockwshr-M8 x 12.75 x 2	2	
11	MBG1335	Scraper Bracket	2	
12	MBG6091	Cable Clamp	1	
13	MBG6396	Brake Drum	1	For Marquis Only
14	009072070	Wshr-M8 x 22 x 3	2	

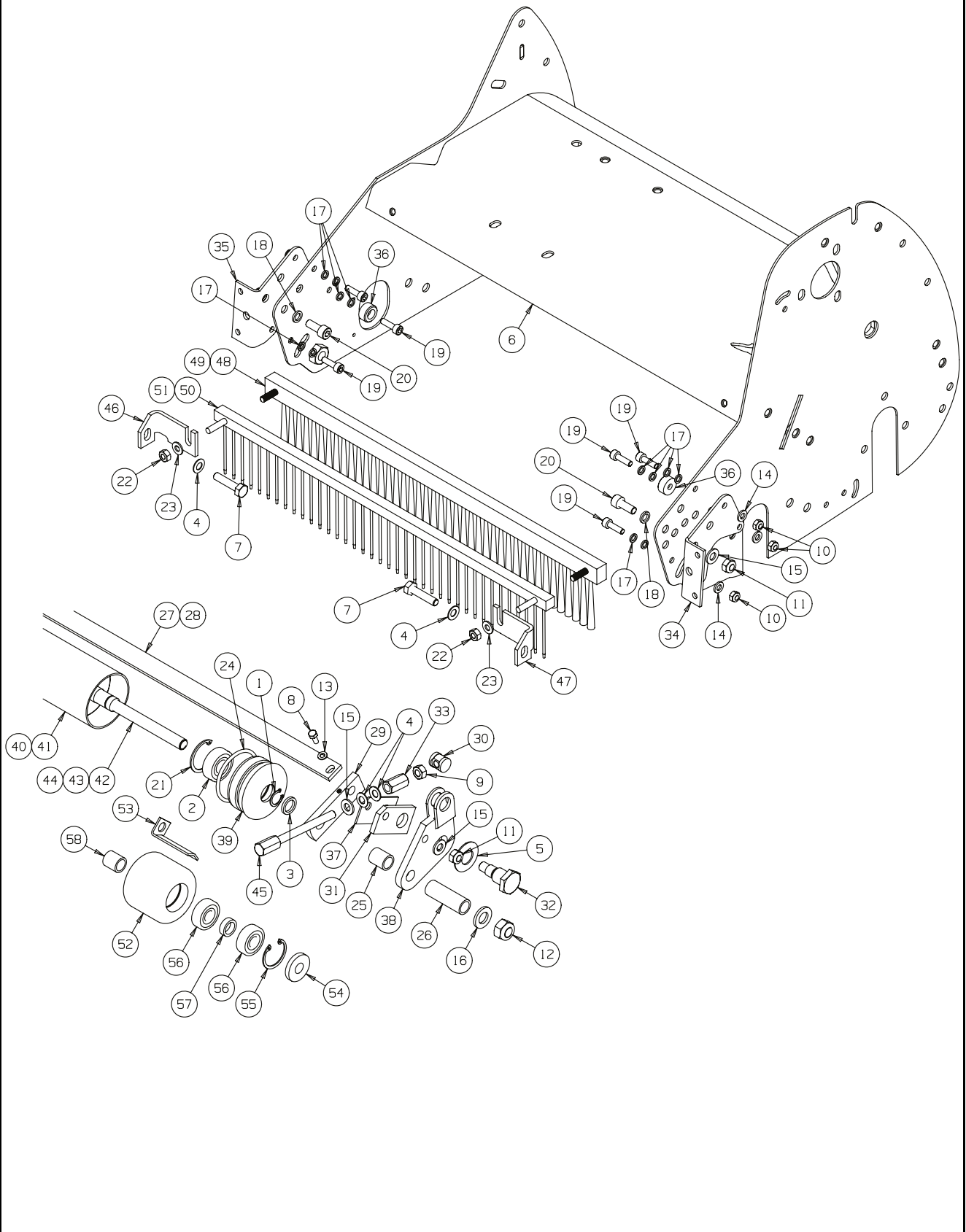


## 4.2 BRAKES AND LANDROLL SCRAPER FOR SUPER CERTES

ITEM	PART NO.	DESCRIPTION	QTY	
1	009067130	Scraper	1	Super Certes 61
2	009167150	Scraper	1	Super Certes 51
3	009067800	Cable-Brake	1	
4	009067820	Cable-Brake	1	
5	009151210	Brake Band	2	
6		Wldmt-Main Frame	1	
7	450149	Screw-Hex M5 x 12	1	
8	450191	Screw-Hex M8 x 20	6	
9	450378	Nut-Hex M8 Nyloc	6	
10	450390	Washer-M8 x 17 x 1.8	8	
11	450411	Lockwshr-M8 x 12.75 x 2	2	
12	450865	Scrw-Sckt Csk M8 x 20	2	
13	450949	Scrw-Set M5 x 5, Cup Pnt	1	
14	MBF2025	Wldmt-Brake Plate LH	1	
15	MBF2028	Wldmt-Brake Plate RH	1	
16	MBG1335	Scraper Bracket	2	
17	MBG6091	Cable Clamp	2	

5.1 FRONT ROLL FOR SUPER BOWL & SUPER CERTES

Illustration Number: 2970005-2



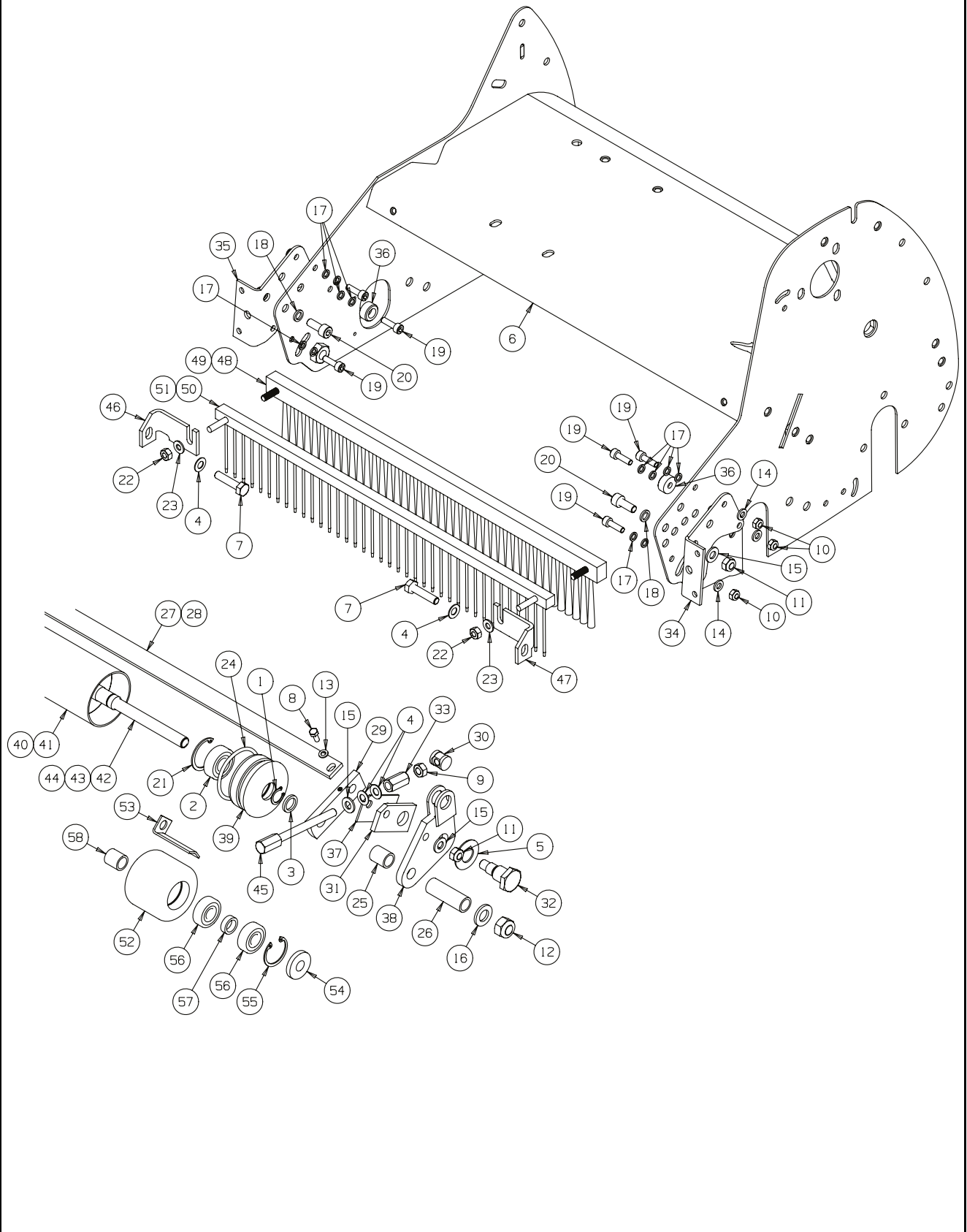


## 5.1 FRONT ROLL FOR SUPER BOWL &amp; SUPER CERTES

ITEM	PART NO.	DESCRIPTION	QTY	
1	001799230	Ext Circlip, 15 mm	2	
2	002036023	Brg-Ball 15 x 35 x 11	2	
3	002219120	Quad Ring 13.95 ID x 2.62 Sect	2	
4	002920501	Sprg-Disc 8.2 x 16 x 0.9	6	
5	002921222	Spring-Disc 16.3 x 34 x 1.5	2	
6		Wldmt-Main Frame	1	
7	450015	Bolt-Hex M8 x 35	2	
8	450149	Screw-Hex M5 x 12	2	
9	450324	Nut-Hex M8	2	
10	450377	Nut-Hex M6 Nyloc	6	
11	450378	Nut-Hex M8 Nyloc	4	
12	450380	Nut-Hex M12 Nyloc	2	
13	450388	Washer-M5 x 10 x 1.1	2	
14	450389	Washer-M6 x 12.5 x 1.8	6	
15	450390	Washer-M8 x 17 x 1.8	6	
16	450392	Washer-M12 x 24 x 2.7	2	
17	450410	Lockwasher-M6 x 9.6 x 1.5	12	
18	450411	Lockwshr-M8 x 12.75 x 2	2	
19	450712	Capscrw-Sckt M6 x 20	6	
20	450723	Capscrw-Sckt M8 x 20	2	
21	451965	Circlip-Int 35 x 1.5 T	2	
22	450020037	Nut-Hex 1/4-28	2	
23	452000211	Wshr-1/4 x 9/16 x .056	2	
24	640001084	O-Ring 53.57 ID x 3.53 Sect	2	
25	AF13020	Spacer-13 x 17.1 x 20	2	
26	AF13050	Spacer-13 x 17.1 x 50	2	
27	MBA5439	Scraper	1	51 Super Bowl & Super Certes
28	MBC3974	Scraper	1	61 Super Certes
29	MBC3973	Link	2	
30	MBC5274B	Trunnion	2	
31	MBC5914A	Packer	2	
32	MBC5917A	Pivot Pin	2	
33	MBC7026	Adjusting Collar	2	
34	MBC9636	Bracket LH	1	
35	MBC9637	Bracket RH	1	
36	MBC9836	Spacer	2	For Super Certes Only
37	MBC9872	Packer Shim	2	
38	MBE0342	Carriage	2	
39	MBE1471C	Roll End	2	
40	MBE1470	Roll Tube	1	61 Super Certes
41	MBE2280	Roll Tube	1	51 Super Bowl & Super Certes
42	MBE2281	Front Roll Spindle	1	51 Super Certes
43	MBE2282	Front Roll Spindle	1	51 Super Bowl

5.1 FRONT ROLL FOR SUPER BOWL & SUPER CERTES

Illustration Number: 2970005-2

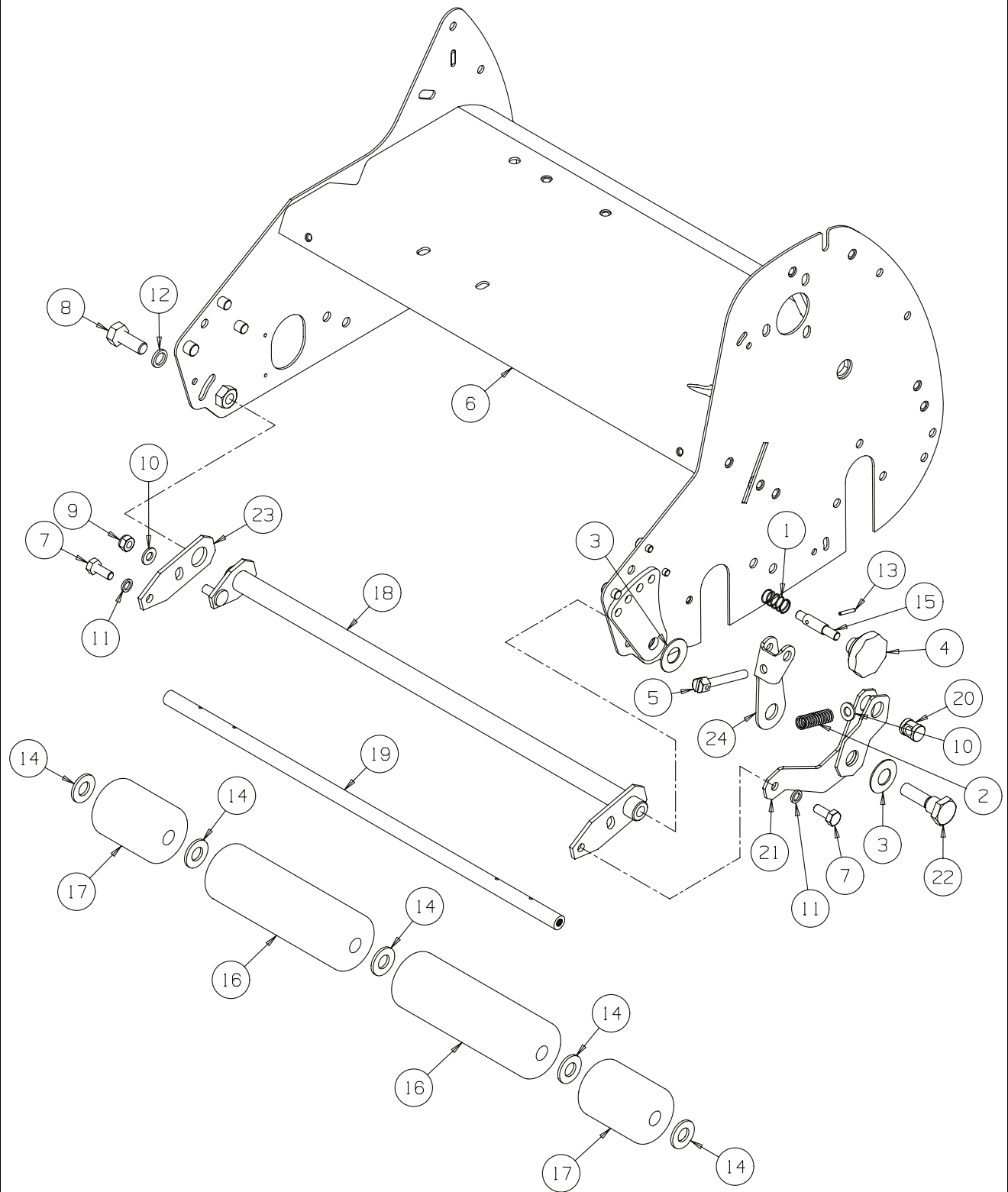


## 5.1 FRONT ROLL FOR SUPER BOWL &amp; SUPER CERTES

ITEM	PART NO.	DESCRIPTION	QTY	
44	MBE2322	Front Roll Spindle	1	61 Super Certes
45	MBF2219	Asm-Front Roll Adj Scrw	2	
46	MBG1272A	Bracket RH	1	
47	MBG1275A	Bracket LH	1	
48	009151117	Brush Assy 51 cm	1	
49	009151078	Brush Assy 61 cm	1	
50	890013488	Rake Assy 51 cm	1	
51	009151060	Rake Assy 61 cm	1	
<b>OUTRIGGER ROLLS (LMAA831- Use on Super Certes Models Only)</b>				
52	MBC3102A	Outrigger Roll	2	
53	MBC3976A	Scraper	2	
54	MBC5313	Dust Cover	2	
55	451962	Circlip-Int 32 x 1.2 T	2	
56	002036015	Brg-Ball 12 x 32 x 10	4	
57	MBC3105	Spacer-.542 x 3/4 x 6 mm	2	
58	AF13018	Spacer-13 x 17.1 x 18	2	
*	LMSE149	Asm-Grooved Front Roll, 51cm	1	See 'Accessories' Section 11
*	LMSE150	Asm-Grooved Front Roll, 61cm	1	See 'Accessories' Section 11

5.2 FRONT ROLL FOR MARQUIS 51

Illustration Number: 2990005-2

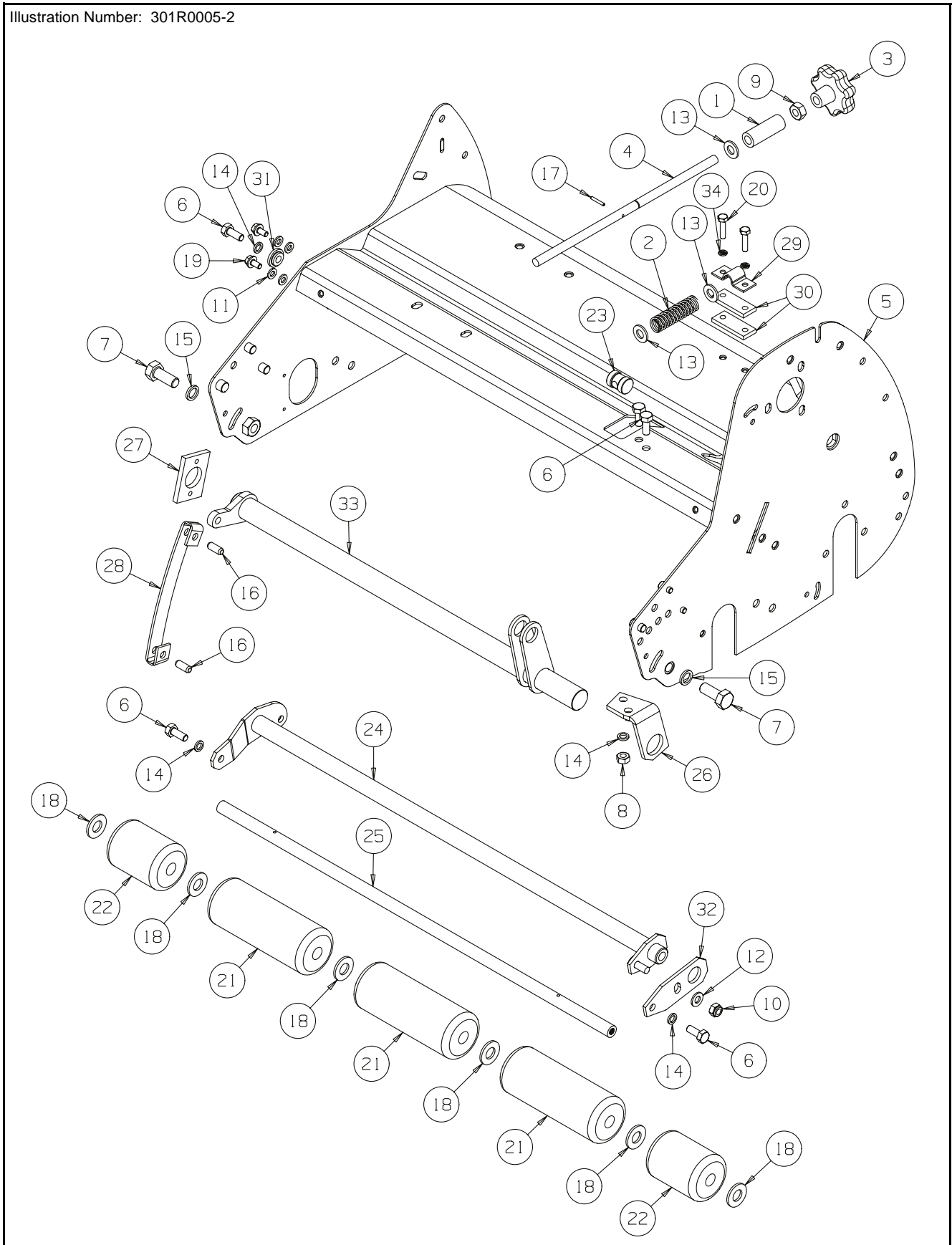


## 5.2 FRONT ROLL FOR MARQUIS 51

ITEM	PART NO.	DESCRIPTION	QTY	
1	002910540	Sprg-Comp 14 x 1 x 25	1	
2	002910859	Sprg-Comp 11.13 x 1.42 x 38.1	1	
3	002921222	Spring-Disc 16.3 x 34 x 1.5	2	
4	002990293	Plastic Star Knob-M8 x 40	1	
5	009070107	Adjuster	1	
6	4143028	Wldmt-Main Frame	1	51 Marquis
7	450191	Screw-Hex M8 x 20	2	
8	450241	Screw-Hex M12 x 30	1	
9	450378	Nut-Hex M8 Nyloc	1	
10	450390	Washer-M8 x 17 x 1.8	2	
11	450411	Lockwshr-M8 x 12.75 x 2	2	
12	450413	Lockwshr-M12 x 17.9 x 2.5	1	
13	451581	Pin-Tension 3 x 20	1	
14	452000473	Wshr-9/16 x 1-1/8 x .104	5	
15	482102539	Pin	1	
16	603000700	Wood Roll	2	LSD5988Z
17	603000742	Wood Roll	2	MBA4357Z
18	MBC3953A	Roll Carriage	1	
19	MBC5201	Spindle	1	
*	451241	Split Pin-3.2 x 22	2	Only used when centre rolls are removed.
20	MBC5328A	Trunnion	1	
*	001993038	• Insert-Helicoil M8 x 1D	1	
21	MBC5330A	Adjusting Lever	1	
22	MBC9862	Pivot LH	1	
23	MBE3426	Carriage	1	
24	MBF1340	Inner Carriage	1	
*	LMSE152	Asm-Steel Front Roll, 51 Marquis	1	See 'Accessories' Section 11

5.3 FRONT ROLL FOR MARQUIS 61

Illustration Number: 301R0005-2

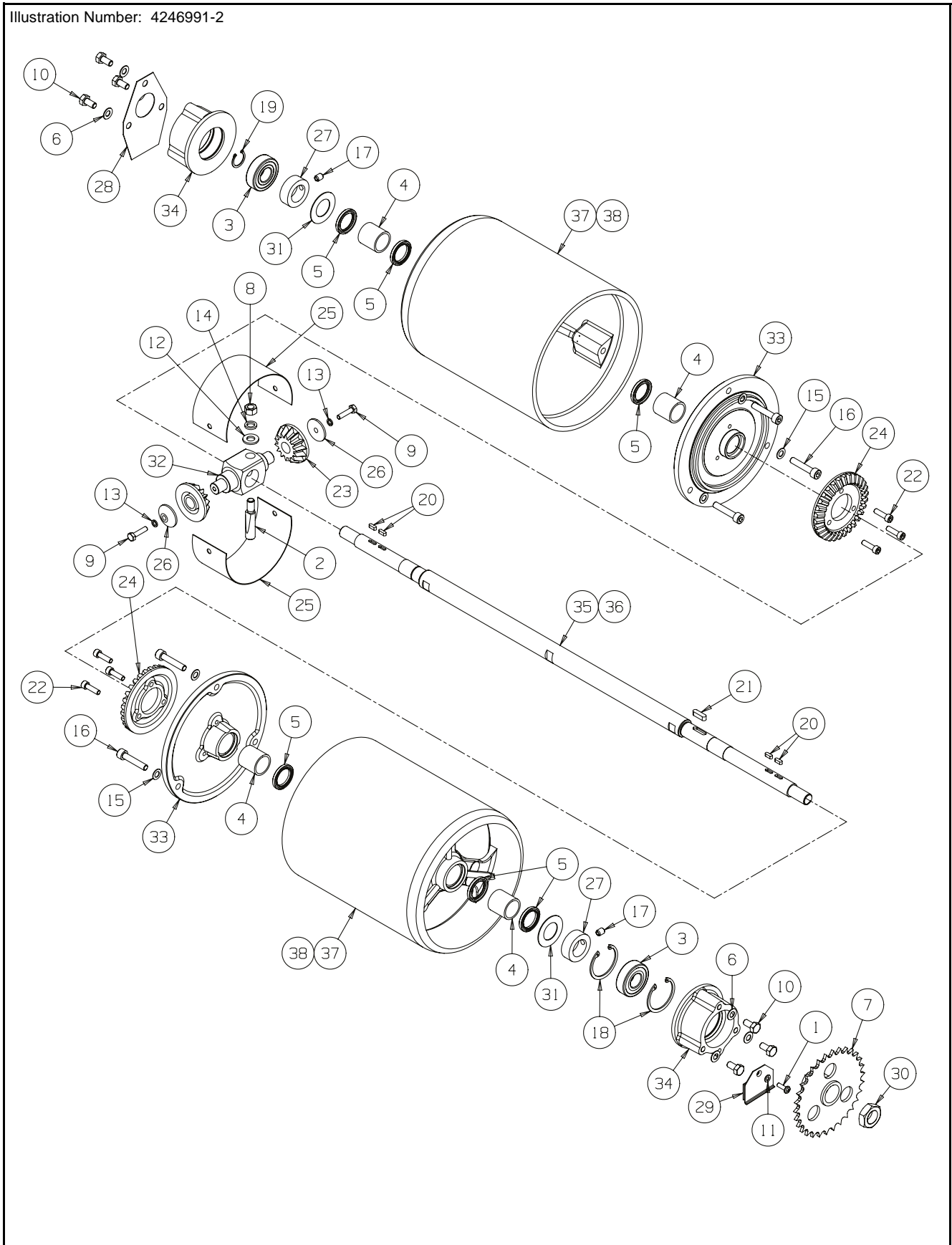


## 5.3 FRONT ROLL FOR MARQUIS 61

ITEM	PART NO.	DESCRIPTION	QTY		
1	002193295	Bush-Nylon 10.4 x 18 x 50	1	61 Marquis	
2	002910794	Sprg-Comp 15.88 x 1.83 x 63.5	1		
3	002990552	M10 Handwheel	1		
4	009071030	Adjusting Screw	1		
5	4143029	Wldmt-Main Frame	1		
6	450191	Screw-Hex M8 x 20	5		
7	450241	Screw-Hex M12 x 30	2		
8	450324	Nut-Hex M8	2		
9	450325	Nut-Hex M10	1		
10	450378	Nut-Hex M8 Nyloc	1		
11	450389	Washer-M6 x 12.5 x 1.8	4		
12	450390	Washer-M8 x 17 x 1.8	1		
13	450391	Washer-M10 x 21 x 2.2	3		
14	450411	Lockwshr-M8 x 12.75 x 2	5		
15	450413	Lockwshr-M12 x 17.9 x 2.5	2		
16	451488	Pin-Spirol 8 x 20	2		
17	451581	Pin-Tension 3 x 20	1		
18	452000473	Wshr-9/16 x 1-1/8 x .104	6		
19	452692	Screw-Hex M6 x 12 Taptite	2		
20	452695	Screw-Hex M6 x 20 Taptite	2		
21	603000734	Woodroll	3		MBA4356Z
22	603000742	Woodroll	2		MBA4357Z
23	MBC3218	Ferrule	1		
24	MBC4544A	Roll Carriage	1		
25	MBC4548A	Spindle	1		
26	MBC5383	Bearing Bracket	1		
27	MBC5384	Bearing Plate	1		
28	MBC5385	Link	1		
29	MBC5387	Support Bracket	1		
30	MBC5389	Packer	2		
31	MBE3426	Collar	1		
32	MBE3426	Carriage	1		
33	MBF2176	Wldmt-Cross Shaft	1		
34	450410	Wshr - M6 Slw	2		
*	LMSE153	Asm-Steel Front Roll, 61 Marquis	1	See 'Accessories' Section 11	

6.1 LANDROLL FOR SUPER CERTES 51 AND 61

Illustration Number: 4246991-2



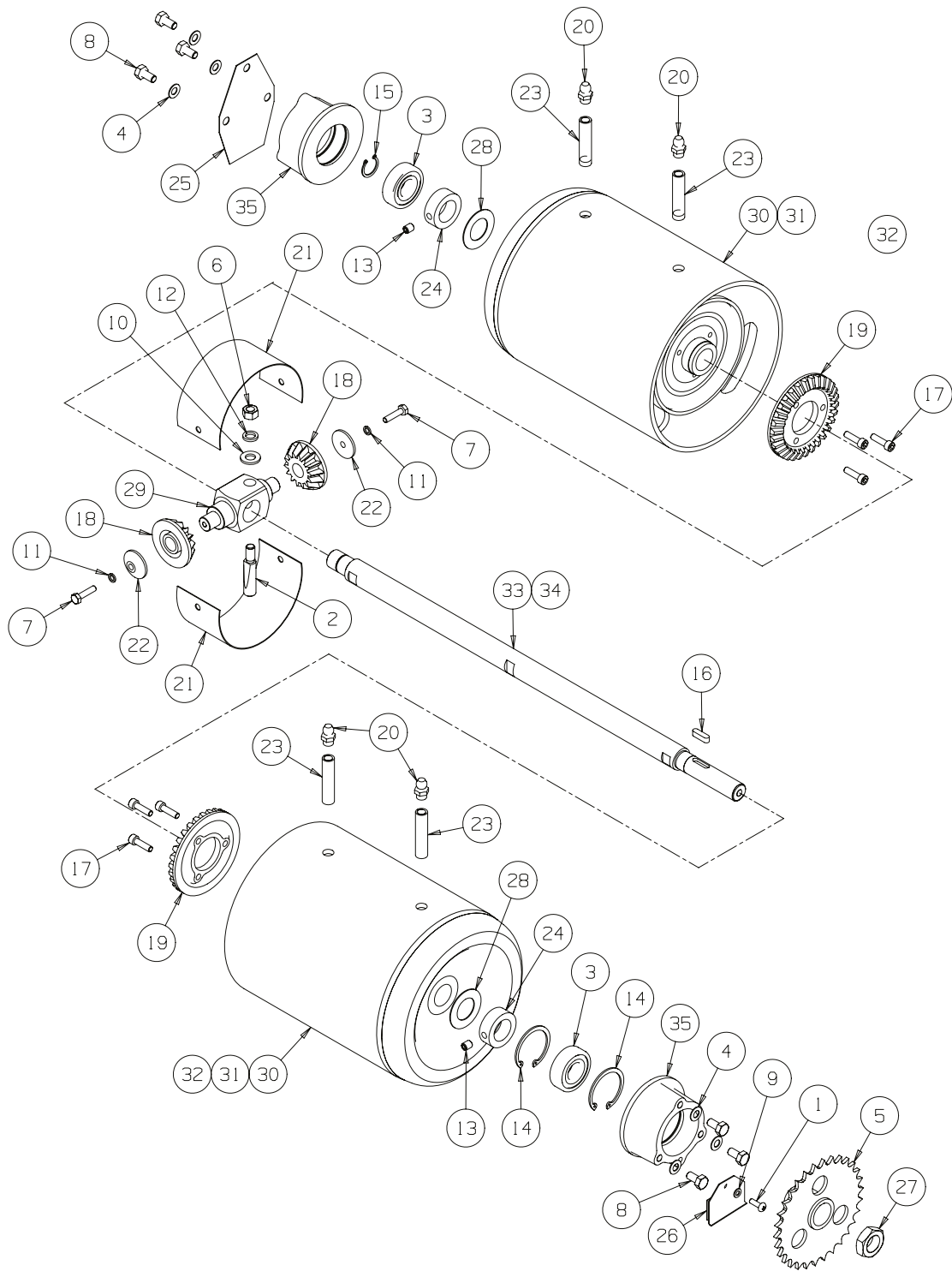


## 6.1 LANDROLL FOR SUPER CERTES 51 AND 61

ITEM	PART NO.	DESCRIPTION	QTY	
1	001191331	Scrw-Pan Hd M5 x 16, Taptite	1	
2	001490658	Cotter Pin	1	
3	002036049	Brg-Ball 20 x 47 x 14	2	
4	002193106	Bush-Devol 25 x 30 x 30	4	
5	002300580	Sealing Ring	6	
6	002920501	Sprg-Disc 8.2 x 16 x 0.9	6	
7	MBF2030	Chain Wheel	1	
8	450020087	Nut-Hex 3/8-24	1	
9	450172	Scrw-Hex M6 x 25	2	
10	450190	Scrw-Hex M8 x 16	6	
11	450388	Wshr-M5 x 10 x 1.1	1	
12	450391	Wshr-M10 x 21 x 2.2	1	
13	450410	Lockwasher-M6 x 9.6 x 1.5	2	
14	450412	Lockwasher-M10 x 15.9 x 2.5	1	
15	450433	Lockwshr-M8 x 15 x 0.8 Ext Tooth	6	
16	450727	Capscrw-Sckt M8 x 40	7	
17	450968	Scrw-Set M8 x 10, Cup Pnt	2	
18	451977	Circlip-Int 47 x 1.75 T	2	
19	452045	Circlip-Ext 20 x 1.2 T	1	
20	452145	Key - 4 x 4 x 12	4	
21	452176	Key - 6 x 6 x 22	1	
22	456090042	Cap Head Screw	6	
23	690040344	Bevel Gear	2	
24	690040352	Bevel Gear	2	
25	MBA5284A	Dust Shield	2	
26	MBA5347A	Distance Collar	2	
27	MBC4559	Adjusting Collar	2	
28	MBC4955	Cover Plate	1	
29	MBC5191A	Cover Plate	1	
30	MBC5464	Nut-Hex M20-1.0	1	
31	MBC7008A	Wshr-25.4 x 45 x 1	2	
32	MBF1370	Gear Carrier	1	
33	MBG0106A	Gear Flange	2	
34	MBG5819	Housing	2	
35	MBG5837	Landroll Shaft	1	Super Certes 51
36	MBG5848	Landroll Shaft	1	Super Certes 61
37	MBG6102	Landroll	2	Super Certes 51
38	MBG6255	Landroll	2	Super Certes 61

6.2 LANDROLL FOR MARQUIS 51 & 61 AND SUPER BOWL 51

Illustration Number: 4246986-2

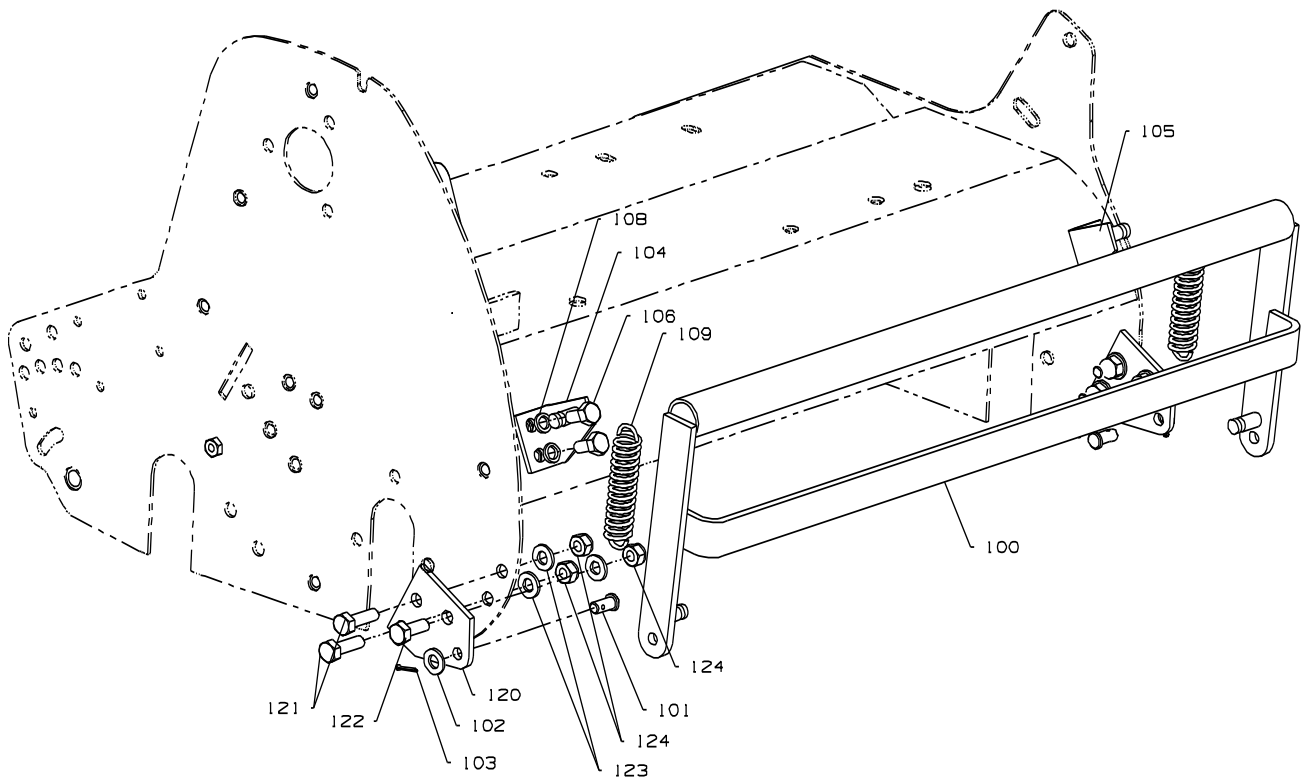


## 6.2 LANDROLL FOR MARQUIS 51 &amp; 61 AND SUPER BOWL 51

ITEM	PART NO.	DESCRIPTION	QTY	
1	001191331	Scrw-Pan Hd M5 x 16, Taptite	1	
2	001490658	Cotter Pin	1	
3	002036049	Brg-Ball 20 x 47 x 14	2	
4	002920501	Sprg-Disc 8.2 x 16 x 0.9	6	
5	MBF2030	Chain Wheel	1	
6	450020087	Nut-Hex 3/8-24	1	
7	450172	Scrw-Hex M6 x 25	2	
8	450190	Scrw-Hex M8 x 16	6	
9	450388	Wshr-M5 x 10 x 1.1	1	
10	450391	Wshr-M10 x 21 x 2.2	1	
11	450410	Lockwasher-M6 x 9.6 x 1.5	2	
12	450412	Lockwasher-M10 x 15.9 x 2.5	1	
13	450968	Scrw-Set M8 x 10, Cup Pnt	2	
14	451977	Circlip-Int 47 x 1.75 T	2	
15	452045	Circlip-Ext 20 x 1.2 T	1	
16	452176	Key - 6 x 6 x 22	1	
17	456090042	Cap Head Screw	6	
18	690040344	Bevel Gear	2	
19	690040352	Bevel Gear	2	
20	840000270	Lubricator-1/8 BSP Str	4	
21	MBA5284A	Dust Shield	2	
22	MBA5347A	Distance Collar	2	
23	MBC3307	Grease Tube	4	
24	MBC4559	Adjusting Collar	2	
25	MBC4954	Cover Plate	1	
26	MBC5191A	Cover Plate	1	
27	MBC5464	Nut-Hex M20-1.0	1	
28	MBC7008A	Collar	2	
29	MBF1370	Gear Carrier	1	
30	MBF2037A	Asm-Landroll, Plain	2	Super Bowl 51
31	MBF2036	Asm-Landroll, Ribbed	2	Marquis 51
32	MBC3308	Asm-Landroll, Ribbed	2	Marquis 61
33	MBG5797	Landroll Shaft	1	Marquis & Super Bowl 51
34	MBG5867	Landroll Shaft	1	Marquis 61
35	MBG5819	Housing	2	

7 KICKSTAND

Illustration Number: KICKSTAND

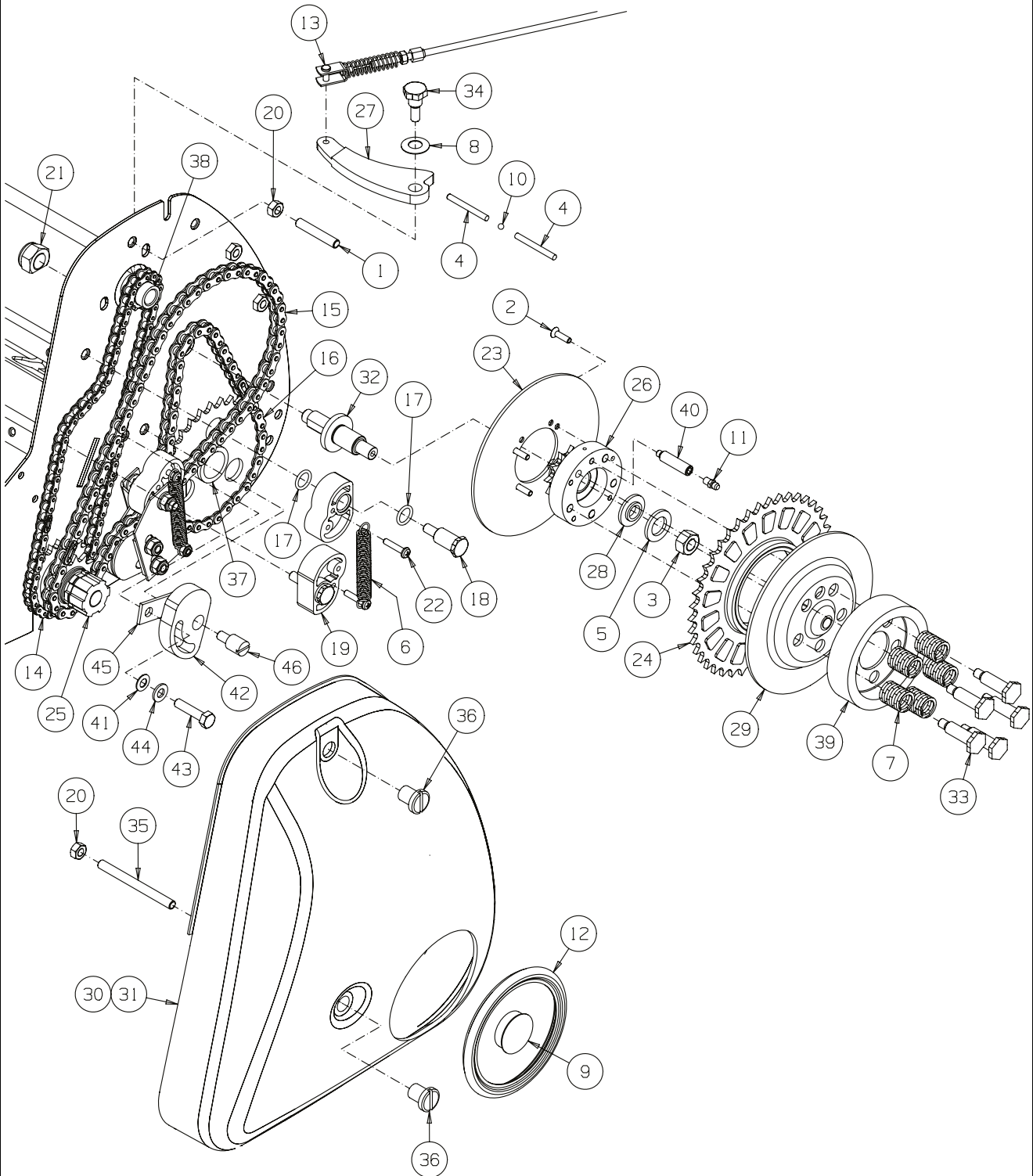


## 7 KICKSTAND

ITEM	PART NO.	DESCRIPTION	QTY	
100	MBC4150C	Kickstand 51cm	1	For Super Certes 51 only
*	MBC4151C	Kickstand 61cm	1	For Super Certes 61 only
101	454400245	Clevis Pin, 5/16" Dia x 5/8" Lg	2	
102	450390	Wshr-M8 x 17 x 1.8	2	
103	451208	Split Pin-2 x 14	2	
104	MBC4158	Anchor Bracket	1	
105	MBC4157	Anchor Bracket	1	
106	450190	Scrw-hex M8 x 16	4	
108	450411	Lockwshr-M8 x 12.75 x 2	4	
109	002900950	Sprg-ten 18 x 2.5 x 85.8	2	
120	MBC5703A	Plate	2	
121	450192	Scrw-hex M8 x 25	4	
122	450191	Scrw-hex M8 x 20	2	
123	450390	Wshr-M8 x 17 x 1.8	6	
124	450378	Nut-hex M8 Nyloc	6	

8.1 DRIVES AND LANDROLL CLUTCH

Illustration Number: 4246984-2



## 8.1 DRIVES AND LANDROLL CLUTCH

ITEM	PART NO.	DESCRIPTION	QTY	
1	001092262	Cover Stud	1	
2	001191315	Scrw-Csk M5 x 16, Taptite	4	
3	001393361	Nut-Hex M12 LH	1	
4	001434086	Pin	2	
5	002192037	Thrust Collar	1	
6	002900686	Sprg-Ten 7/16 x 0.056 x 3	1	
7	002911017	Sprg-Comp 17.5 x 2.75 x 35	5	
8	002920852	Sprg-Disc 12.2 x 25 x 0.7	1	
9	002952227	Plastic Plug	1	For Marquis & Super Bowl
10	002992017	Steel Ball	1	
11	002993013	Lubricator-M6 Str	1	
12	009125100	Seal-Grommet	1	For Super Certes
13	4139803	L/R Clutch Cable	1	
14	4246272	Primary Chain-3/8 Pitch x 76 Links	1	
*	003800025	o Connecting Link	1	
15	4246273	Intermediate Chain-1/2 P x 66 Links	1	
*	003890030	o Connecting Link	1	
16	4246274	Final Chain-1/2 Pitch x 42 Links	1	
*	003890030	o Connecting Link	1	
17	4246731	O-Ring 14 ID x 2.5 Sect	4	
18	4246732	Bolt-Shoulder M8-1.25 x 40	2	
19	4246733	Chain Tensioner	2	
20	450324	Nut-Hex M8	2	
21	450382	Nut-Hex M16 Nyloc	1	
22	450530	Scrw-Pan Hd M5 x 25	2	
23	LCG1474B	Inner Clutch Plate	1	
24	LMAY408	Asm-Chain Wheel	1	
*	690403314	o Ferodo Pad	18	
*	539000836	o Bush	1	
25	LMSE122	Pinion & Sleeve, Reel Drive	1	
*	002106424	o Bush-Oilite 22 x 27 x 25	1	
26	LMSE155	Asm-Clutch Body	1	
*	002106246	o Bush-Oilite 18 x 22 x 12	2	
27	MBC4430	Clutch Lever	1	
28	MBC4641	Collar	1	
29	MBC4704	Outer Clutch Plate	1	
30	MBC4705	Side Cover	1	Marquis & Super Bowl
31	MBG6240	Side Cover	1	Super Certes
32	MBC5118ZA	Shaft	1	
33	MBC5916	Spring Bolt	5	
34	MBC5918	Shoulder Bolt	1	
35	MBC7111	Stud, M8 x 90	1	
36	MBE3667A	Cover Nut	2	



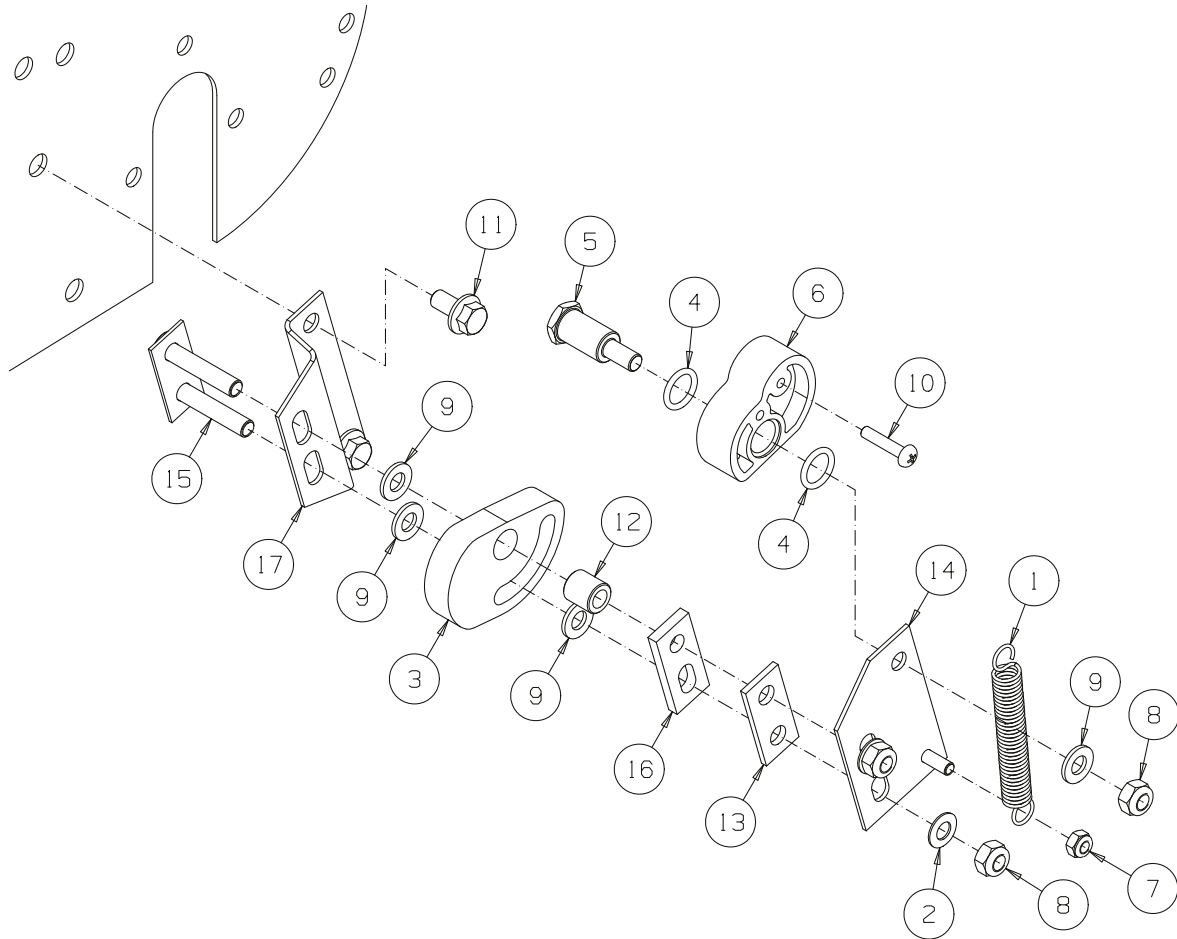


## 8.1 DRIVES AND LANDROLL CLUTCH

ITEM	PART NO.	DESCRIPTION	QTY	
37	MBF2030	Chain Wheel	1	
38	MBG6386	Pinion-11T x 3/8 Pitch	1	
39	MBG6396	Brake Drum	1	For Marquis Only
40	MBG6878	Oil Tube	1	
41	002920501	Sprg-Disc 8.2 x 16 x 0.9	1	
42	009131925	Chain Tensioner	1	
43	450194	Scrw-Hex M8 x 35	1	
44	450390	Wshr-M8 x 17 x 1.8	1	
45	MBC5095	Plate	1	
46	MBC9758	Stud	1	

8.2 CHAIN TENSIONER

Illustration Number: 4246734

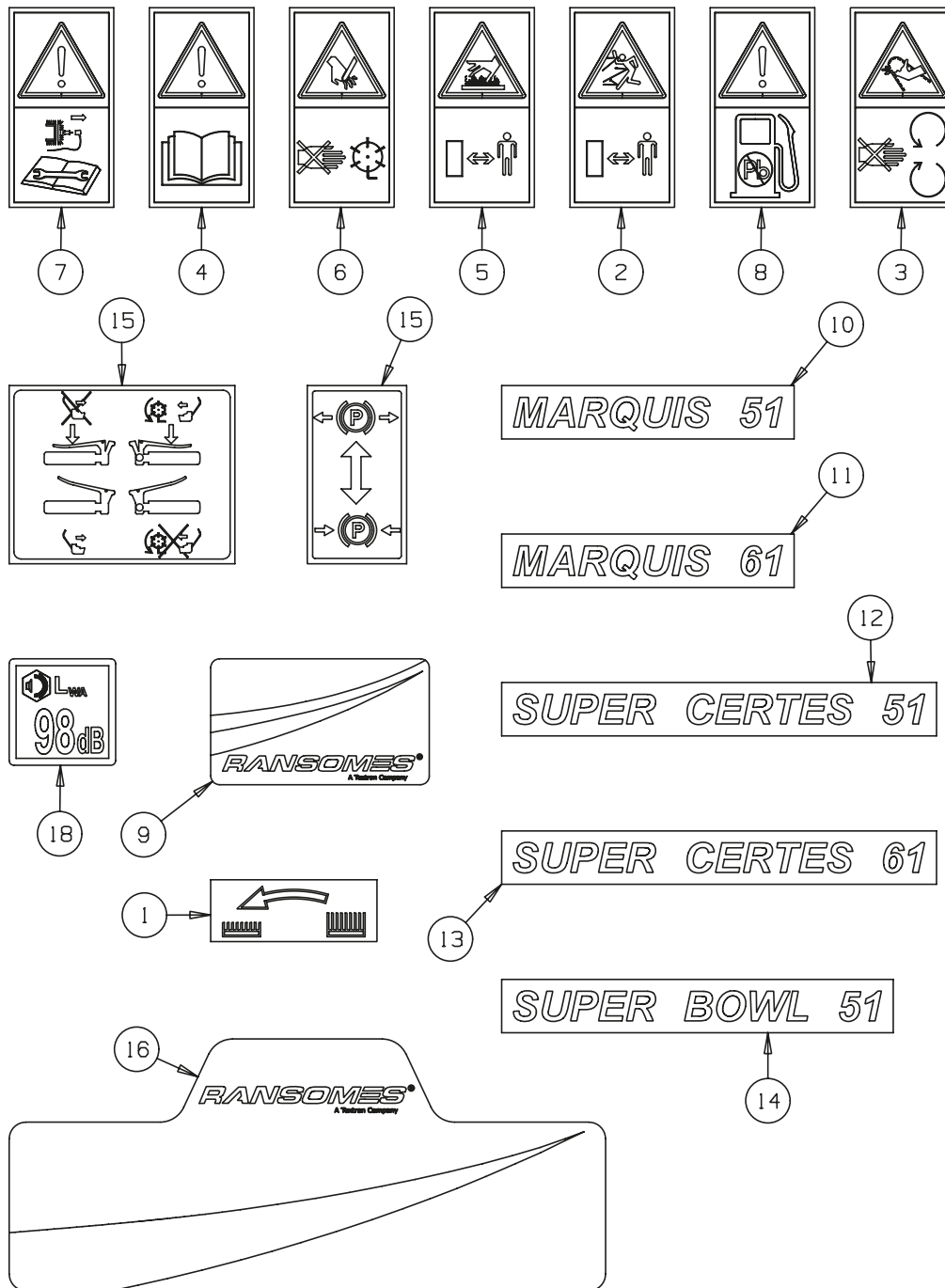


## 8.2 CHAIN TENSIONER

ITEM	PART NO.	DESCRIPTION	QTY	
1	002900686	Sprg-Ten 7/16 x 0.056 x 3	1	
2	002920501	Sprg-Disc 8.2 x 16 x 0.9	2	
3	009131925	Chain Tensioner	1	
4	4246731	O-Ring 14 ID x 2.5 Sect	2	
5	4246732	Bolt-Shoulder M8-1.25 x 40	1	
6	4246733	Chain Tensioner	1	
7	450377	Nut-Hex M6 Nyloc	1	
8	450378	Nut-Hex M8 Nyloc	3	
9	450390	Wshr-M8 x 17 x 1.8	4	
10	450530	Scrw-Pan Hd M5 x 25	1	
11	452701	Scrw-Hex M8 x 16 Taptite	2	
12	MBC3171	Bush-Steel 8.5 x 14 x 15	1	
13	MBC5095	Plate	1	
14	MBF1890	Cam Plate Assy	1	
15	MBG1887	Clamp	1	
16	MBG5269	Spacer Block	1	
17	MBG5429	Bracket	1	

9 DECALS

Illustration Number: 000\_619\_decals



## 9 DECALS

ITEM	PART NO.	DESCRIPTION	QTY	
1	009034620	Decal-Height of Cut	1	Marquis 61 Only
2	009034890	Decal-Bystander Warning	1	
3	009034900	Decal-Belt	1	
4	009034910	Decal-Instruction	1	
5	009034920	Decal-Hot	1	
6	009034940	Decal-Cylinder Hazard	1	
7	009034970	Decal-Spark Plug	1	
8	009114240	Decal-Petrol Hazard	1	
9	4124185	Decal-"Ransomes" Emblem	1	
10	4130713	Decal- 51 Marquis	1	
11	4130714	Decal-61 Marquis	1	
12	4130715	Decal- 51 Super Certes	1	
13	4130716	Decal- 61 Super Certes	1	
14	4130717	Decal- 51 Super Bowl	1	
15	4130883	Decal-OPC/Brakes	1	
16	4131813	Decal-Grassbox	1	For 51 cm Machines
17	4131814	Decal-Grassbox	1	For 61 cm Machines
18	4142985	Decal-98db Noise	1	

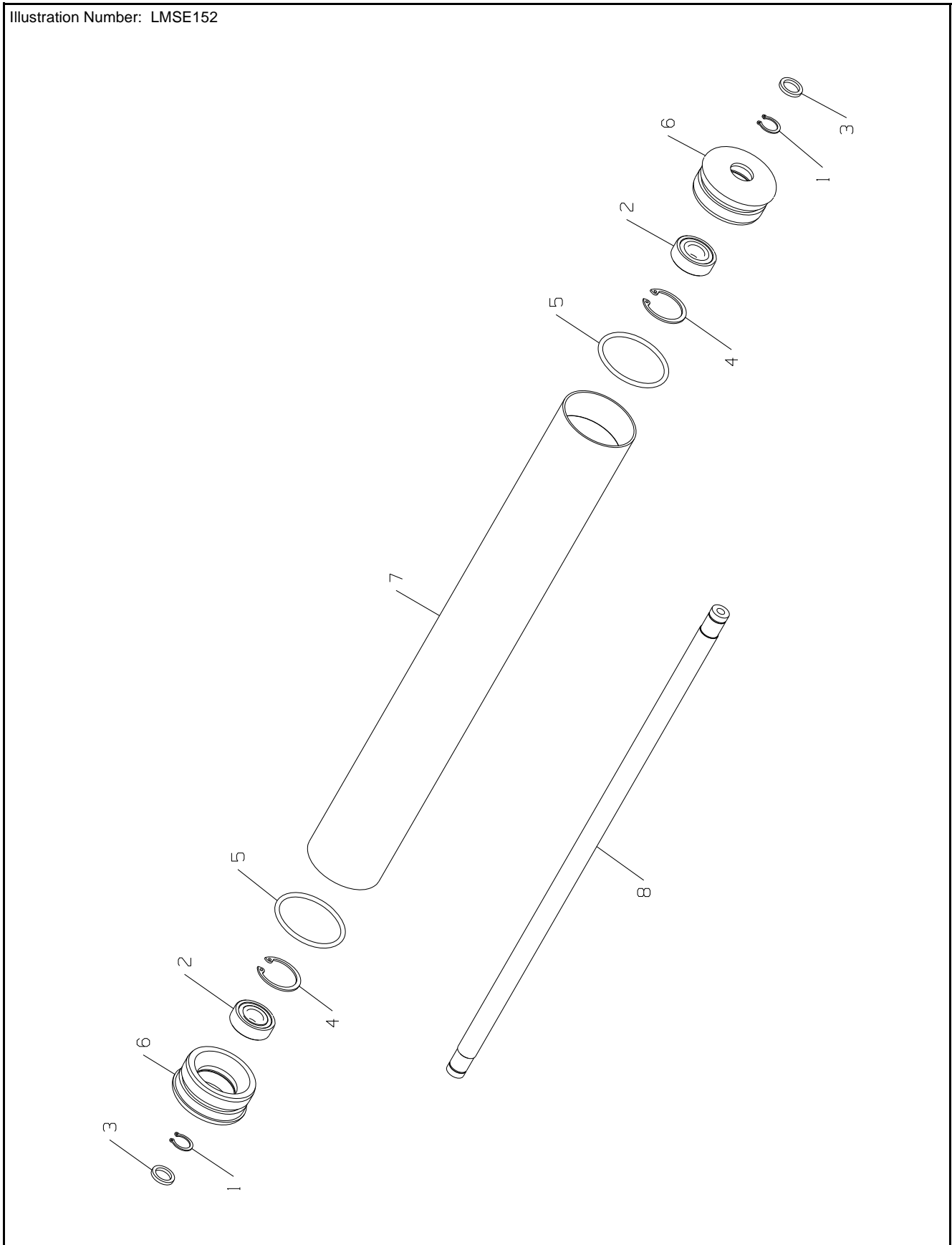


## 10 TRANSPORT WHEELS (SUPER CERTES ONLY)

ITEM	PART NO.	DESCRIPTION	QTY	
2	4228300	Wheel Complete	2	
3	MBF0278A	Lever	2	
4	009063060	Spring	2	
5	MBF0277	Spacer-6.2 x 8.9 x 3.6	8	
6	450719	Capscrw-Sckt M6 x 55	6	
7	450171	Scrw-Hex M6 x 20	2	
8	450377	Nut-Hex M6 Nyloc	6	
9	450389	Wshr-M6 x 12.5 x 1.8	7	
10	MBG3688	Wheel Spacer	1	
11	452000237	Wshr-1/4 x 3/4 x .064	1	
12	450172	Scrw-Hex M6 x 25	1	
13	MBG6741	Wheel Lock Spacer	2	
14	MBG6742	Wheel Spacer	2	
80	MBG6026	Hub Spacer	1	
81	MBG6021	Brake Hub RH	1	
82	MBF0140	Spacer, Wheel Hub	1	
83	MBG6017	Brake Hub LH	1	
84	002300590	Sealing Ring	4	
85	002075320	30 mm Roller Clutch	2	
86	MBF0132	Clutch Sleeve	2	
88	MBF0136	Wshr-Thrust 30 x 45 x 3	2	
89	MBF0137	Landwheel Collar	2	
90	450393	Wshr-M16 x 30 x 3.3	1	
91	450382	Nut-Hex M16 Nyloc	2	
92	MBC4664	Spacer-19 x 30 x 17	1	
*	001190636	Screw-Sq Hd M6 x 16	1	Thro Item 92 to Landroll Shaft
93	MBB2245A	Thrust Washer	1	

11.1 PLAIN STEEL ROLL

Illustration Number: LMSE152



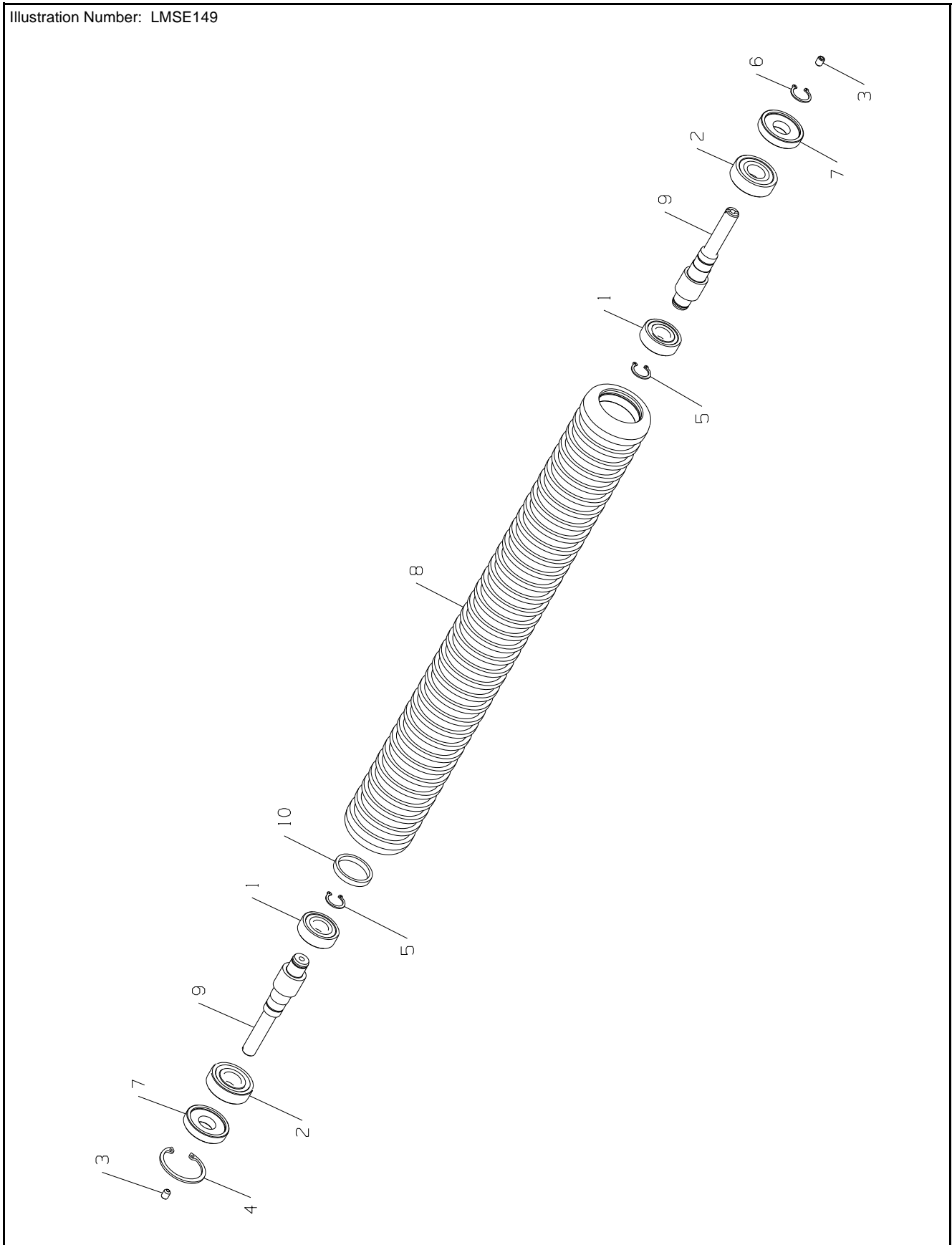


## 11.1 PLAIN STEEL ROLL

ITEM	PART NO.	DESCRIPTION	QTY	
	<b>LMSE152</b>	<b>Asm-Steel Front Roll</b>	<b>1</b>	<b>For Marquis 51</b>
1	001799230	• Circlip-Ext 15 x 1 T	2	
2	002036023	• Brg-Ball 15 x 35 x 11	2	
3	002219120	• Quad Ring 13.95 ID x 2.62 Sect	2	
4	451965	• Circlip-Int 35 x 1.5 T	2	
5	640001084	• O-Ring 2.109 ID x .139 Sect	2	
6	MBE1471C	• Roll End	2	
7	MBG6504	• Roll Tube-63.5 x 494.4	1	
8	MBG6506	• Shaft-51 Marquis Steel Roll	1	
	<b>LMSE153</b>	<b>Asm-Steel Front Roll</b>	<b>1</b>	<b>For Marquis 61</b>
1	001799230	• Circlip-Ext 15 x 1 T	2	
2	002036023	• Brg-Ball 15 x 35 x 11	2	
3	002219120	• Quad Ring 13.95 ID x 2.62 Sect	2	
4	451965	• Circlip-Int 35 x 1.5 T	2	
5	640001084	• O-Ring 2.109 ID x .139 Sect	2	
6	MBE1471C	• Roll End	2	
7	MBG6505	• Roll Tube-63.5 x 596.4	1	
8	MBG6507	• Shaft-61 Marquis Steel Roll	1	

11.2 GROOVED FRONT ROLL

Illustration Number: LMSE149

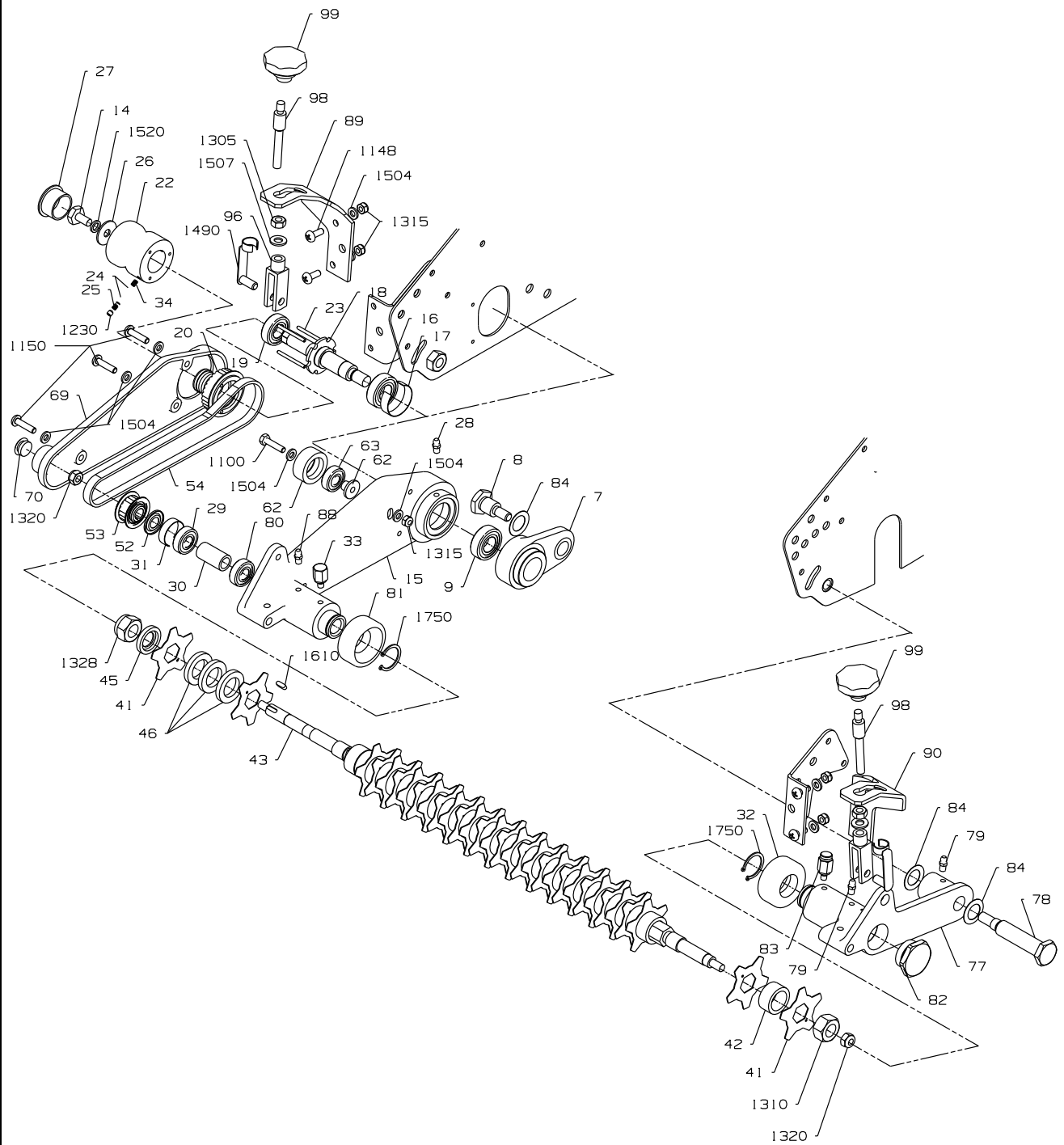


## 11.2 GROOVED FRONT ROLL

ITEM	PART NO.	DESCRIPTION	QTY	
	<b>LMSE149</b>	<b>Asm-Grooved Front Roll, 51cm</b>	<b>1</b>	<b>For Super Bowl &amp; Super Certes 51</b>
1	002036023	• Brg-Ball 15 x 35 x 11	2	
2	002036031	• Brg-Ball 17 x 40 x 12	2	
3	450959	• Scrw-Set M6 x 8, Cup Pnt	2	
4	451970	• Circlip-Int 40 x 1.75 T	1	
5	452040	• Circlip-Ext 15 x 1 T	2	
6	452041	• Circlip-Ext 16 x 1 T	1	
7	MBF1294	• End Cap-Front Roll	2	
8	MBG6454	• Roll Tube-51cm Grooved	1	
9	MBG6463	• Shaft-Front Roll	2	
10	MBG6474	• Spacer-29 x 35 x 5	1	
	<b>LMSE150</b>	<b>Asm-Grooved Front Roll, 61cm</b>	<b>1</b>	<b>For Super Certes 61</b>
1	002036023	• Brg-Ball 15 x 35 x 11	2	
2	002036031	• Brg-Ball 17 x 40 x 12	2	
3	450959	• Scrw-Set M6 x 8, Cup Pnt	2	
4	451970	• Circlip-Int 40 x 1.75 T	1	
5	452040	• Circlip-Ext 15 x 1 T	2	
6	452041	• Circlip-Ext 16 x 1 T	1	
7	MBF1294	• End Cap-Front Roll	2	
8	MBG6455	• Roll Tube-61cm Grooved	1	
9	MBG6463	• Shaft-Front Roll	2	
10	MBG6474	• Spacer-29 x 35 x 5	1	

11.3 VERTI-GROOM KIT

Illustration Number: Vertigroom

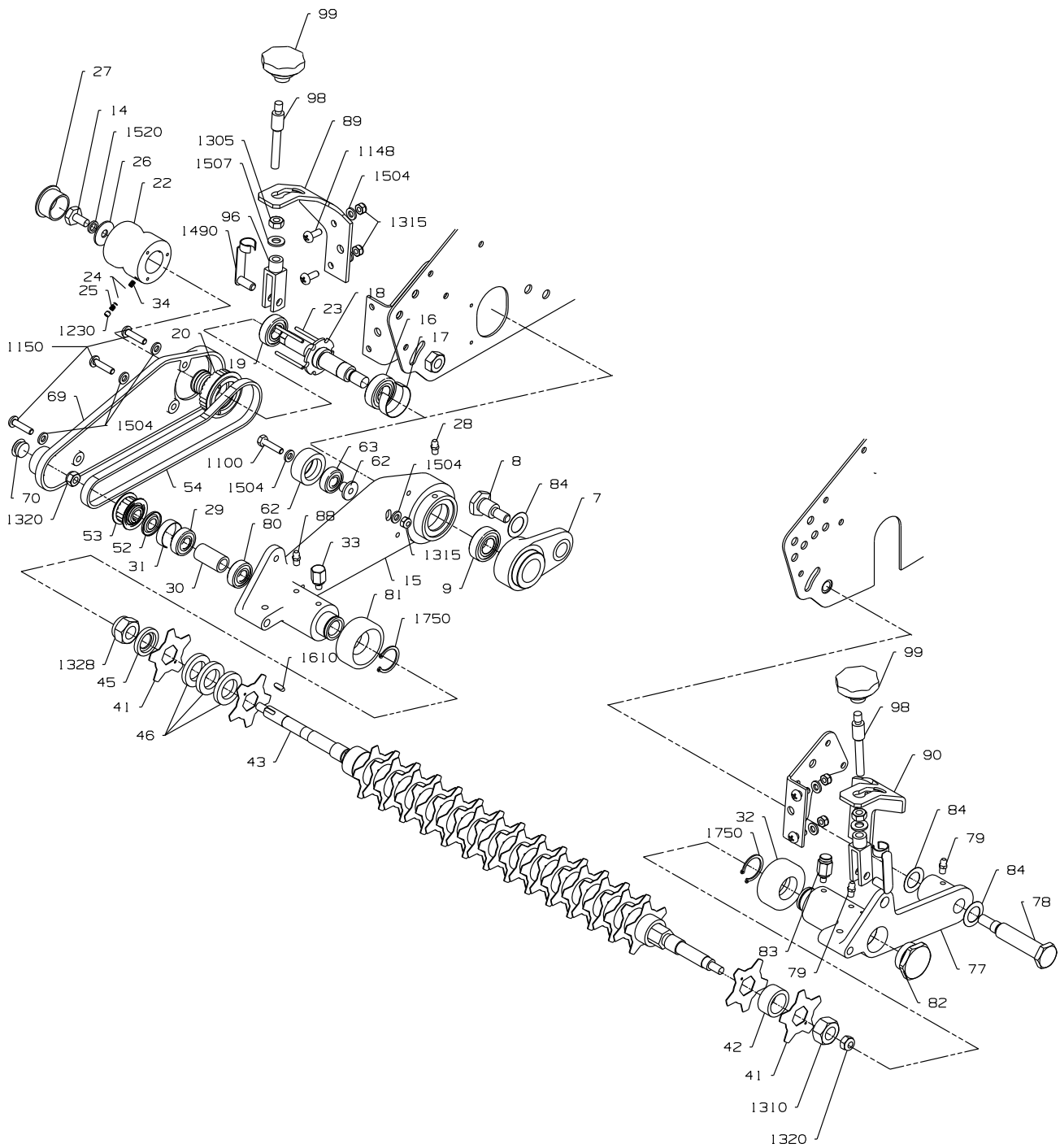


## 11.3 VERTI-GROOM KIT

ITEM	PART NO.	DESCRIPTION	QTY	
	LMAA937A	Verti-Groom Kit 51cm		
	LMAA937B	Verti-Groom Kit 61cm		
7	MBC9568	Bearing Housing	1	
8	002039291	Brg-Ball 17 x 35 x 10	1	
9	MBC9569	Pivot Bolt	1	
14	MBE1137	Screw	1	
15	MBC9527	Drive Belt Housing	1	
16	002039291	Brg-Ball 17 x 35 x 10	1	
17	002925022	Tolerance Ring	1	
18	MBE1120	Drive Disc	1	
19	002039267	Brg-Ball 15 x 32 x 9	1	
20	009175109	Pulley	1	
22	MBC9262A	Clutch Handwheel	1	
23	MBE0992	Dowel Pin	3	
24	459000014	Steel Balls	2	
25	002911059	Spring, 3.83 O/D x 7.8 Lg	1	
26	MBC9297	Wshr-8.5 x 26.5 x 1.6	1	
27	002952586	Cover Plug	1	
28	002993013	Lubricator-M6 Str	2	
29	002039275	Brg-ball 12 x 28 x 8	2	
30	002960066	Spacer	1	
31	002925006	Tolerance Ring	1	
32	009133105	Wheel	1	
33	MBE0456	Stop	1	
34	002911114	Sprg-Comp 3.83 x 0.63 x 5.5	1	
41	009202869	Groomer Blade	31	51cm
41	009202869	Groomer Blade	38	61cm
42	MBC9552	Spacer	29	51cm
42	MBC9552	Spacer	36	61cm
43	MBC9611A	Shaft 51cm	1	
43	MBC9530	Shaft 61cm	1	
45	MBC9346A	Collar	1	
46	009042655	Spacer	3	
52	002289185	Nilos Ring	1	
53	MBE3474	Pulley	1	
54	004921120	Drive Belt	1	
61	MBC9627	Collar	1	
62	MBC9695	Tensioner	1	
63	824100472	Brg-Ball 10 x 26 x 8	1	
69	MBC9528	Lid	1	
70	002953273	Grommet	1	
71	009034646	Label	1	
77	MBC9577	Groomer Link	1	

11.3 VERTI-GROOM KIT

Illustration Number: Vertigroom

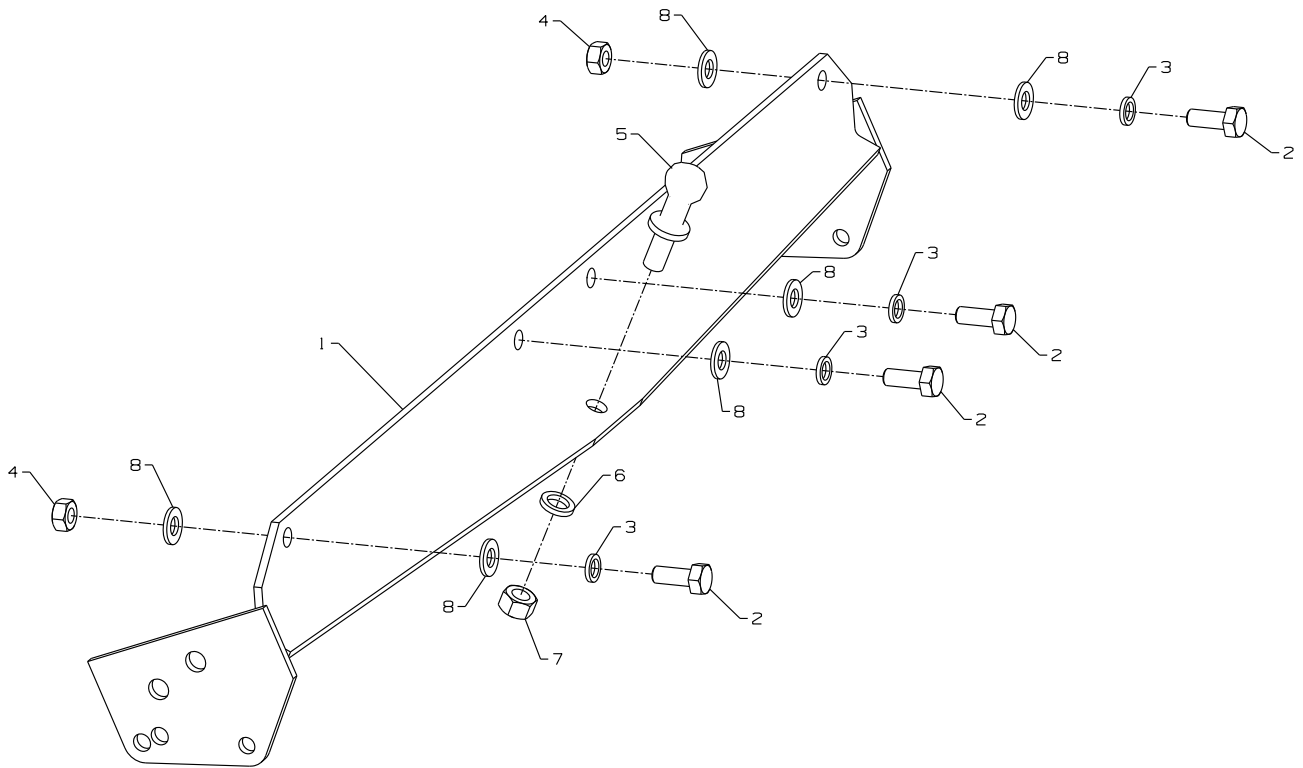


## 11.3 VERTI-GROOM KIT

ITEM	PART NO.	DESCRIPTION	QTY	
78	MBE1484	Pivot Pin	1	
79	002993013	Lubricator-M6 Str	2	
80	002039275	Brg-ball 12 x 28 x 8	1	
81	009133105	Wheel	1	
82	MBC9544	Plug	1	
83	MBE0455	Locking Pin	1	
84	002922935	Sprg-Disc 17.3 x 27.7 x 0.4	3	
89	MBC9555	Groomer Brkt RH	1	
90	MBC9556	Groomer Brkt LH	1	
96	001949047	Clevis, M8	2	
98	MBC9613A	Stud Adaptor	2	
99	002990293	Plastic Star Knob-M8 x 40	2	
*	LMSE149	Grooved Roller Assy (51cm)	1	
*	LMSE150	Grooved Roller Assy (61cm)	1	
1100	450172	Scrw-Hex M6 x 25	1	
1148	450541	Scrw-Pan Hd M6 x 16	4	
1150	450543	Scrw-Pan Hd M6 x 25	3	
1230	450950	Scrw-Set M5 x 6, Cup Pnt	1	
1305	450324	Nut-Hex M8	2	
1310	450327	Nut-Hex M16	1	
1315	450377	Nut-Hex M6 Nyloc	5	
1320	450378	Nut-Hex M8 Nyloc	2	
1325	450382	Nut-Hex M16 Nyloc	1	
1490	001490666	Spring Clip	2	
1504	450389	Wshr-M6 x 12.5 x 1.8	9	
1505	450389	Wshr-M6 x 12.5 x 1.8	0	
1507	450390	Wshr-M8 x 17 x 1.8	3	
1520	450411	Lockwshr-M8 x 12.75 x 2	1	
1610	452145	Key-4 x 4 x 12	1	
1750	452050	Circlip-Ext 25 x 1.2 T	2	

11.4 TOW BAR FOR MARQUIS 61 ONLY

Illustration Number: TOW-BAR



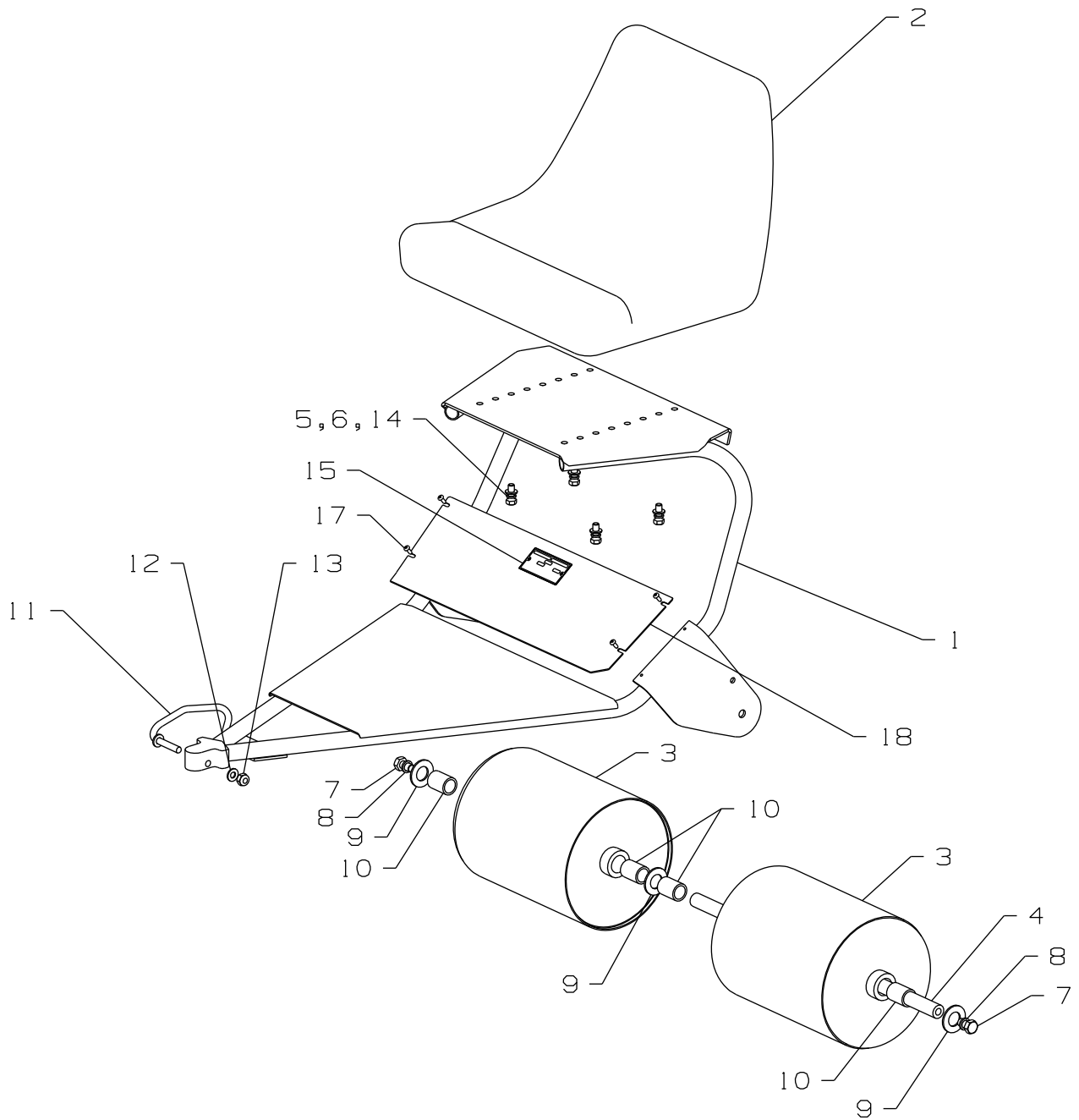


## 11.4 TOW BAR FOR MARQUIS 61 ONLY

ITEM	PART NO.	DESCRIPTION	QTY	
1	MBF2274	Tow Bar Bracket-Marquis 61	1	
2	450191	Screw-Hex M8 x 20	4	
3	450411	Lockwshr-M8 x 12.75 x 2	4	
4	450324	Nut-Hex M8	2	
5	MBC8043	Ball Joint	1	
6	450412	Lockwshr-M10 x 15.9 x 2.5	1	
7	450020087	Nut-Hex 3/8-24	1	
8	450390	Wshr-M8 x 17 x 1.8	6	

11.5 TRAILING SEAT FOR MARQUIS 61 ONLY

Illustration Number: LMAA628



## 11.5 TRAILING SEAT FOR MARQUIS 61 ONLY

ITEM	PART NO.	DESCRIPTION	QTY	
1	MBC5881C	Seat Frame	1	
2	699524927	Seat Assy	1	
3	MBA5360	Land Roll	2	
4	MBA5364	Spindle	1	
5	452200087	Lockwshr-3/8 x .590 x .092	4	
6	456110066	Scrw-Hex 3/8-16 x 1	4	
7	456010789	Scrw-Hex 1/2-20 x 7/8	2	
8	452200168	Lockwshr-1/2 x .763 x .116	2	
9	452100823	Wshr-15/16 x 1-3/4 x .104	3	
10	590002752	Bush-Oilite 7/8 x 1-1/8 x 1-1/2	4	
11	MBC5869	Pin - Fabrication	1	
12	450391	Wshr-M10 x 21 x 2.2	1	
13	450379	Nut-Hex M10 Nyloc	1	
14	452000326	Wshr-3/8 x 3/4 x .072	4	
15	MBG5007	Name Plate	1	
16	001496052	Rivet-Pop 1/8 x 5/16	2	
17	451144	Scrw-Pan Hd #10 x 13	4	
18	MBC5887A	Guard	1	
19	MBC7776	Anti-Slip Strip	1	
20	MBC7777	Anti-Slip Strip	1	







---

Ransomes Jacobsen Limited  
West Road, Ransomes Europark, Ipswich,  
England, IP3 9TT  
English Company Registration No. 1070731  
[www.ransomesjacobsen.com](http://www.ransomesjacobsen.com)

Jacobsen, A Textron Company  
11108 Quality Drive, Charlotte,  
NC 28273, USA  
[www.Jacobsen.com](http://www.Jacobsen.com)