

## Parts manual

---

### **RANSOMES Super Certes 51 & 61, Super Bowl 51 & Marquis 51 & 61**

Super Certes 51:	Series:EC2 Product codes: LDFC510 From Serial Number EC200438	Engine type: Honda GX120-Q4
Super Certes 61:	Series:ED2 Product codes: LDFC610 From Serial Number ED200462	Engine type: Honda GX120-Q4
Super Bowl 51:	Series:EE2 Product codes: LDFD510 From Serial Number EE200405	Engine type: Honda GX120-Q4
Marquis 51:	Series:EF2 Product codes: LDAA510 From Serial Number EF200410	Engine type: Honda GX120-Q4
Marquis 61:	Series:EG2 Product codes: LDCB610 From Serial Number EG200490	Engine type: Honda GX120-Q4



**WARNING:** If incorrectly used this machine can cause severe injury. Those who use and maintain this machine should be trained in its proper use, warned of its dangers and should read the entire manual before attempting to set up, operate, adjust or service the machine.

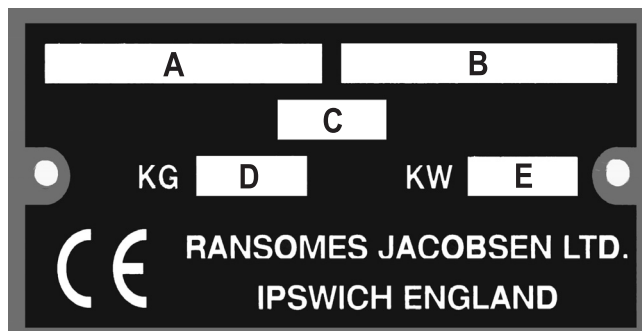


CONTENTS.....	PAGE
PRODUCT IDENTIFICATION .....	2
SPARES STOCKING GUIDE.....	2
SERVICE PARTS.....	2
HOW TO USE THE PARTS MANUAL.....	3
GUIDELINES FOR THE DISPOSAL OF SCRAP PRODUCTS.....	4
1a. MAINFRAME, CLUTCH AND GRASSBOX.....	6
1b. MAINFRAME, CLUTCH AND GRASSBOX .....	8
1c. MAINFRAME, CLUTCH AND GRASSBOX.....	10
2. CUTTING CYLINDER .....	12
3. HANDLES .....	16
4a. BRAKES & LANDROLL SCRAPER FOR MARQUIS & SUPER BOWL.....	18
4b. BRAKES & LANDROLL SCRAPER FOR SUPER CERTES.....	20
5a. FRONT ROLL FOR SUPER BOWL & SUPER CERTES.....	22
5b. FRONT ROLL FOR 51 MARQUIS.....	26
5c. FRONT ROLL FOR MARQUIS 61 .....	28
6a. LANDROLL - SUPER CERTES 51 & 61 .....	30
6b. LANDROLL - 51 & 61 MARQUIS and 51 SUPER BOWL .....	32
7. KICKSTAND.....	34
8. DRIVES AND LANDROLL CLUTCH.....	36
9. DECALS.....	40
10. TRANSPORT WHEELS (SUPER CERTES ONLY).....	42
11a. PLAIN STEEL ROLL.....	44
11b. GROOVED FRONT ROLL.....	46
11c. VERTI-GROOM KIT .....	48
11d. TOW BAR (61 MARQUIS ONLY).....	52
11e. TRAILING SEAT (61 MARQUIS ONLY).....	54

# SMALL PEDESTRIAN MOWERS

## INTRODUCTION

### PRODUCT IDENTIFICATION



- A Machine Name
- B Serial Number
- C Year of Manufacture
- D Machine Weight
- E Engine Power

### SPARES STOCKING GUIDE

To keep your equipment fully operational and productive, Ransomes suggests you maintain a stock of the more commonly used maintenance items. We have included part numbers for the additional support materials and training aids.

#### SERVICE SUPPORT MATERIAL

Part No.	Description	Part No.	Description
24791G-**	Safety Operation & Maintenance Manual		
** = Country code			

#### SERVICE PARTS

Part No.	Description	Part No.	Description
MBC3139E	Cutting Cylinder 51cm - 10 knife - Super Bowl / Super Certes	MBA7050	Standard Bottom Blade 61cm - Marquis
MBC3140E	Cutting Cylinder 61cm - 10 knife - Super Certes	MBA7057	Thin Bottom Blade 51cm - Super Bowl / Super Certes
MBF2159	Cutting Cylinder 51cm - 6 knife - Marquis	MBA7092	Thin Bottom Blade 61cm - Super Certes
MBC4518E	Cutting Cylinder 61cm - 6 knife - Marquis	4136403	Primary Drive Belt-Poly V-Engine to Cutting Cylinder
MBA7051	Standard Bottom Blade 51cm - Super Bowl / Super-Certes	4136404	Secondary Belt Drive-Toothed-Cutting Cylinder to Intermediate Cylinder
MBA7083	Standard Bottom Blade 61cm - Super Certes	4136405	Final Belt Drive - Toothed - Intermediate to Landroll
MBA7017	Standard Bottom Blade 51cm - Marquis		

## HOW TO USE THE PARTS MANUAL

### ITEM NUMBER

Each part which is identified in the illustrations has an item number. Parts which do not have an item number may not be readily identified in the illustration but are usually closely associated with the immediately adjacent part.

### ASSEMBLIES

A complete assembly, e.g. a wheel motor or hydraulic motor or roll assembly, is listed as a complete item with subsequent individual components listed separately.

The assembly is listed under its part number with component parts being listed offset to the right, e.g.:-

ITEM	PART NO.	DESCRIPTION	QTY	REMARKS
4295	MBG2504	Bracket	1	
4296	MBG3848	Latch	2	
4298	450865	Screw, M8 X 20, Sckt Csk Hd	2	
4300	450378	Nut, M8 Nyloc	2	
4301	WI001	Set Of Wheels	1	
4301.1	008162130	• Wheel & Hub Assy	1	(Rear)
4301.2	008170390	•• Tyre	1	
4301.3	008161830	•• Rim	1	
4301.4	008169140	•• Hub Assy.	1	
4301.5	008169150	•• Cap	1	
4301.6	002993010	•• Lubricator	1	
4301.7	008161990	• Wheel & Tyre	2	(Front)
4301.8	008170780	•• Tyre	2	

It may not be possible to illustrate every item. With certain items purchased from outside suppliers some component parts may not be available from Ransomes and may need to be specially ordered from the supplier.

### QUANTITIES

Quantities shown are for one assembly or sub-assembly.

### USING THE PARTS LIST

Determine the function and application of the part required. Turn to the main index page and select the appropriate section. Locate the part on the illustration and parts list and read off the quantity from the appropriate MODEL column.

### NUMERICAL INDEX

This is a summary of all part numbers used in the manual arranged in numerical sequence and showing the page and item number under which the parts appear.

### ORDERING OF SPARE PARTS

When ordering replacement parts, it is most important to quote the SERIAL NUMBER of the machine, PART NUMBER, DESCRIPTION and QUANTITY required.

Any arbitrary modifications carried out on this machine may relieve the manufacturer of liability for any resulting damage or injury.

### ABBREVIATIONS

N/A Not Available

ARAs Required

## GUIDELINES FOR THE DISPOSAL OF SCRAP PRODUCTS

When it has been identified that a turf care product has no further functional value and requires disposal, the following actions should be taken.

These guidelines should be used in conjunction with applicable Health, Safety and Environmental legislation and use of approved local facilities for waste disposal and recycling.

- Position the machine in a suitable location for any necessary lifting equipment to be used.
- Use appropriate tools and Personal Protective Equipment (PPE) and take guidance from the technical manuals applicable to the machine.
- Remove and store appropriately:
  1. Batteries
  2. Fuel residue
  3. Engine coolant
  4. Oils
- Disassemble the structure of the machine referring to the technical manuals where appropriate. Special attention should be made for dealing with 'stored energy' within pressurised elements of the machine or tensioned springs.
- Any items that still have a useful service life as second hand components or can be re-serviced should be separated and returned to the relevant centre.

- other worn out items should be separated into material groups for recycling and disposal consistent with available facilities. More common separation types are as follows:
  - Steel
  - Non ferrous metals
    - Aluminium
    - Brass
    - Copper
  - Plastics
    - Identifiable
    - Recyclable
    - Non recyclable
    - Not identified
  - Rubber
  - Electrical & Electronic Components
- Items that cannot be separated economically into different material groups should be added to the 'General waste' area.
- Do not incinerate waste.

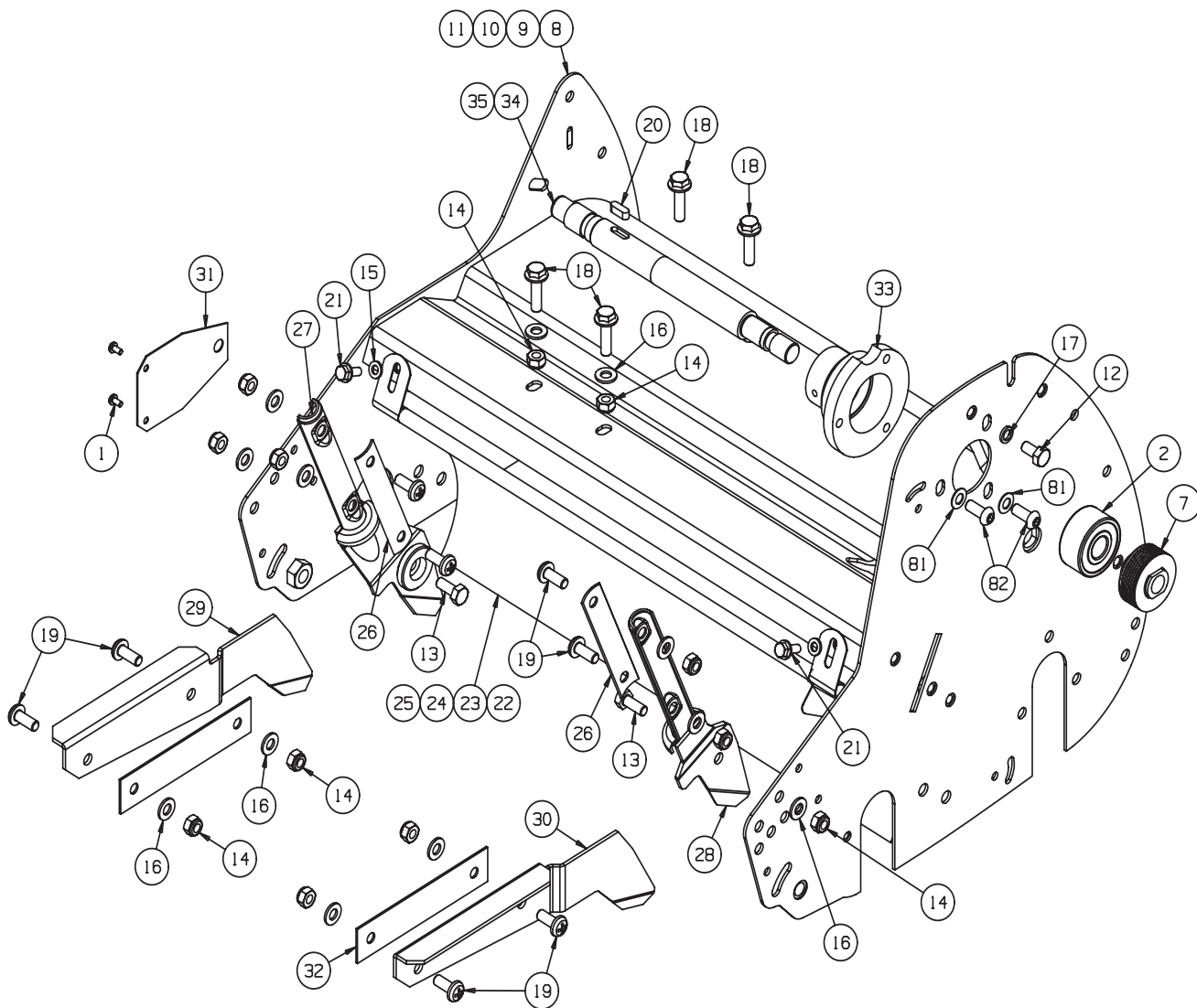
Finally update machinery records to indicate that the machine has been taken out of service and scrapped.



# SMALL PEDESTRIAN MOWERS

## 1a MAINFRAME, CLUTCH AND GRASSBOX

Illustration Number: 4147239-2





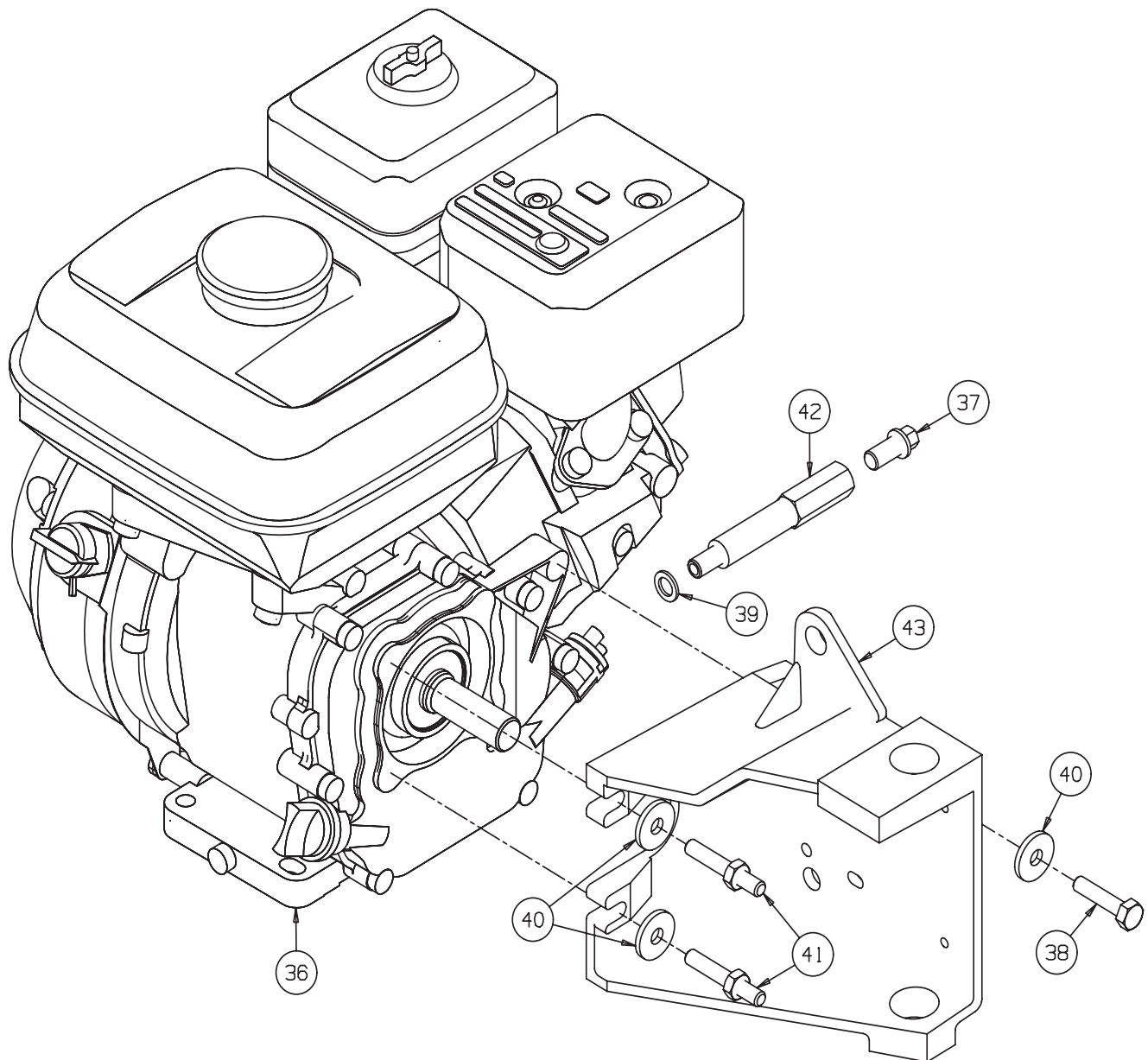
## SMALL PEDESTRIAN MOWERS

ITEM	PART NO.	DESCRIPTION	QTY.	REMARKS
1	001191357	Screw-Pan Head M4 x 8 Taptite	2	
2	002090580	Brg-Ball 17 x 47 x 22.2	1	
3*	009133066	51cm Grassbox	1	51 Marquis & Super Bowl
4*	009133074	61cm Grassbox	1	61 Marquis
5*	009133414	51cm Grassbox	1	51 Super Certes
6*	009133422	61cm Grassbox	1	61 Super Certes
7	4136398	Drive Pulley 7 Groove PJ	1	
8	4143026	Wldmt-Main Frame	1	51 Super Certes/Super Bowl
9	4143027	Wldmt-Main Frame	1	61 Super Certes
10	4143028	Wldmt-Main Frame	1	51 Marquis
11	4143029	Wldmt-Main Frame	1	61 Marquis
12	450190	Screw-Hex M8 x 16	3	
13	450191	Screw-Hex M8 x 20	2	
14	450378	Nut-Hex M8 Nyloc	12	
15	450389	Washer-M6 x 12.5 x 1.8	2	
16	450390	Washer-M8 x 17 x 1.8	12	
17	450411	Lockwshr-M8 x 12.75 x 2	3	
18	450473	Scrw-Hex M8 x 30 Verbus Ripp	4	
19	450552	Screw-Pan Hd M8x20	8	
20	452174	Key-6 x 6 x 18	1	
21	452694	Scrw-Hex M6 x 16 Taptite	2	
22	MBA5024	Concave 3 Deflector	1	51 Marquis
23	MBB0204	Concave	1	51 Super Bowl & Super Certes
24	MBC3478	Concave	1	61 Super Certes
25	MBC4526	Concave	1	61 Marquis
26	MBC7064	Plate	2	For Marquis
27	MBC8847	Bracket RH	1	For Marquis
28	MBC8850	Bracket LH	1	For Marquis
29	MBC9892	Bracket, RH Grassbox	1	For Super Bowl & Super Certes
30	MBC9893	Bracket, LH Grassbox	1	For Super Bowl & Super Certes
31	MBC9657	Cover Plate	1	
32	MBC9900	Plate	2	For Super Bowl & Super Certes
33	MBG6358	Housing-Bearing	1	
34	MBG6377	Shaft-Drive, 51 Pedstrns	1	
35	MBG6379	Shaft-Drive, 61 Pedstrns	1	
81	002920501	Disc Spring 8.2 x 16 x 0.9	2	
82	001290337	Screw-Button Hd M8 x 20	2	

# SMALL PEDESTRIAN MOWERS

## 1b MAINFRAME, CLUTCH AND GRASSBOX

Illustration Number: 4147239-4



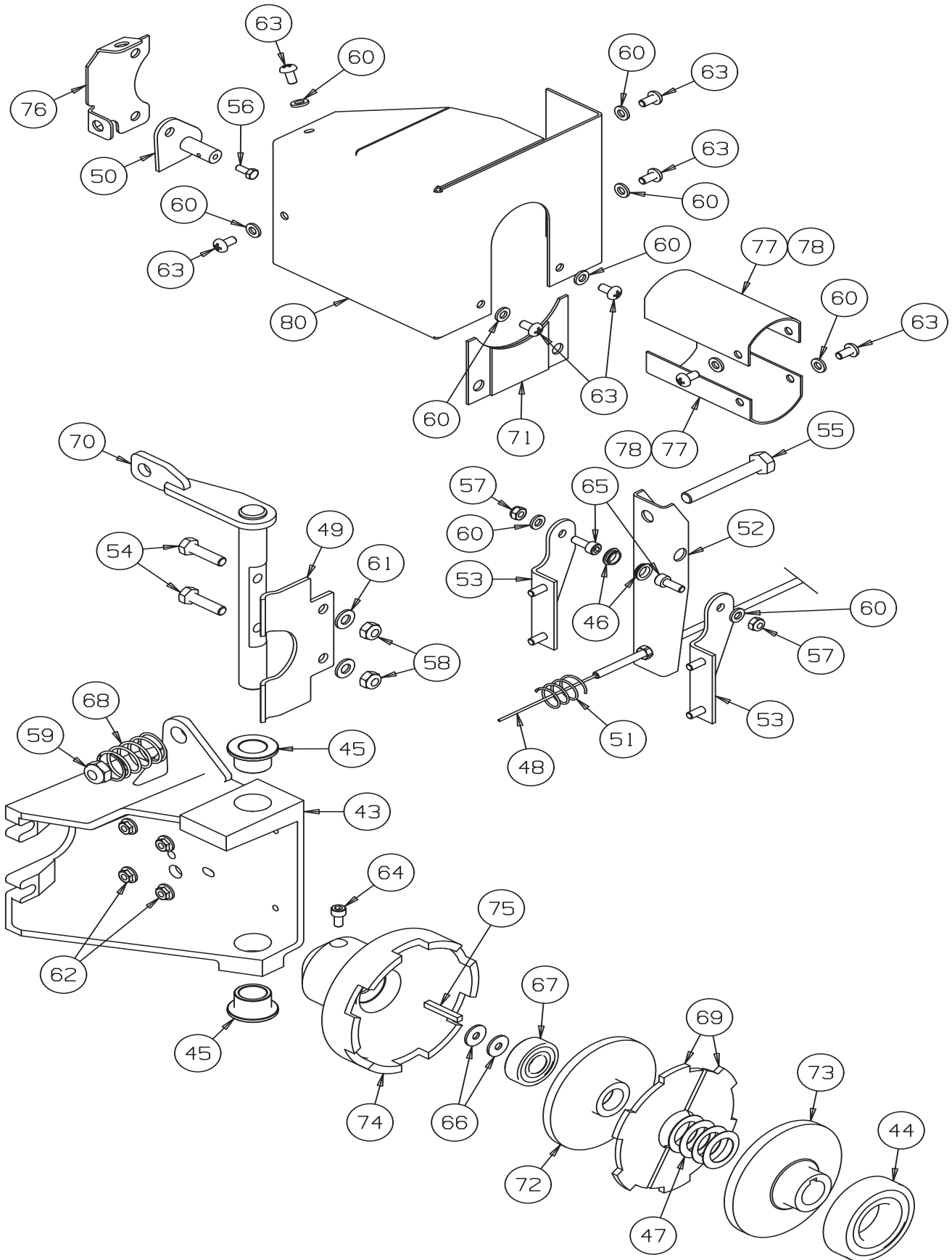
SMALL PEDESTRIAN MOWERS

ITEM	PART NO.	DESCRIPTION	QTY.	REMARKS
36	006890140	Engine-Honda GX120-Q4	1	
37	Ex Honda	Drain Plug	1	
38	450015	Bolt-Hex M8 x 35	1	
39	670000116	Wshr-Fibre 25/64 x 5/8 x 1/16	1	
40	MBA5289A	Wshr-8.5 x 25.5 x 3	3	
41	MBG6202	Stud-Clutch Mounting	2	
42	MBG6288	Drain plug Extension	1	
43	MBG6195	Housing- Clutch	1	

# SMALL PEDESTRIAN MOWERS

## 1c MAINFRAME, CLUTCH AND GRASSBOX

Illustration Number: 4147239-6



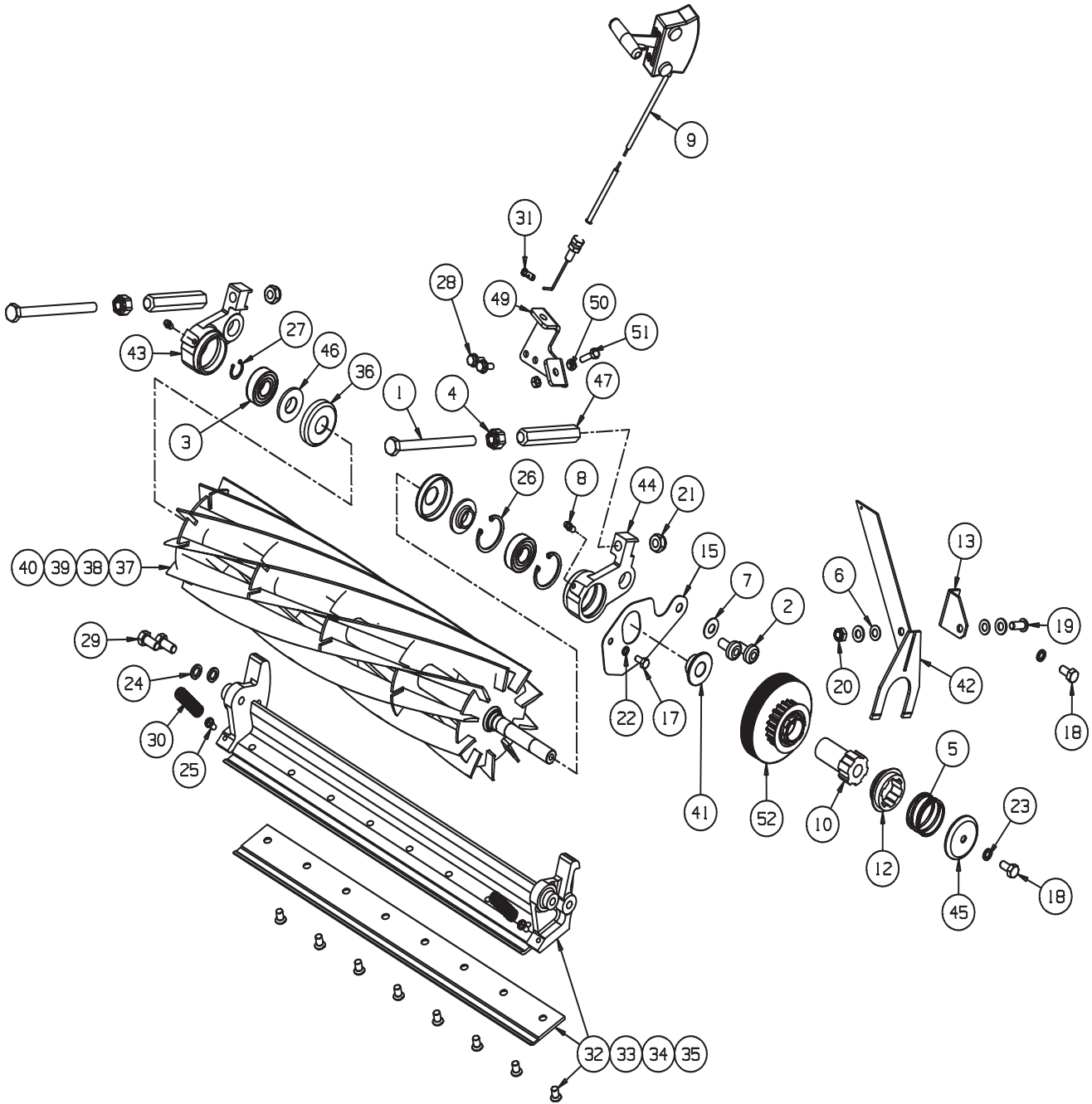
SMALL PEDESTRIAN MOWERS

ITEM	PART NO.	DESCRIPTION	QTY.	REMARKS
43	MBG6195	Housing-Cluth	1	
44	002036070	Brg-Ball 35 x 72 x 17	1	
45	002190220	Bush-Fing 3/4 x 1 x 3/4	2	
46	002193360	Brg-Nyliner 10 x 11.6 x 2	2	
47	002921240	Sprg-Disc 22.4 x 34.6 x 0.5	4	
48	009067840	Cable-Landroll Clutch	1	
49	3005380	Fingers, Clutch	1	
50	4130976	OPC Cable Bracket	1	
51	4130986	Compression Spring	1	
52	4132655	Lever-Main Clutch	1	
53	4132657	Wldmt-Brkt, Lever Mtg	2	
54	450014	Bolt-Hex M8 x 30	2	
55	450036	Bolt-Hex M10 x 70	1	
56	450149	Screw-Hex M5 x 12	1	
57	450377	Nut-Hex M6 Nyloc	2	
58	450378	Nut-Hex M8 Nyloc	2	
59	450379	Nut-Hex M10 Nyloc	1	
60	450389	Washer-M6 x 12.5 x 1.8	10	
61	450390	Washer-M8 x 17 x 1.8	2	
62	450452	Nut-Hex M6 Verbus Ripp	4	
63	450539	Scr-pan Hd M6 x 12	8	
64	450710	Capscrew-Sckt M6 x 12	1	
65	450711	Capscrew-Sckt M6 x 16	2	
66	452000237	Wshr-1/4 x 3/4 x .064	2	
67	820000036	Brg-Align 17 x 40 x 12	1	
68	J3004610	Spring	1	
69	J555795	Split Clutch Disc	2	
70	MBF2239	Plate-Cover	1	
71	MBF2239	Plate-Cover	1	
72	MBG5955	Clutch Plate	1	
73	MBG5958	Clutch Plate-Sliding	1	
74	MBG6065	Clutch Housing	1	
75	Ex Honda	Key-3/16 x 3/16 x 1-1/4	1	
76	MBG6527	Cover Bracket	1	
77	MBG6571	Tube-Cover	2	For 51 Marquis, Super Bowl & Super Certes
78	MBG6576	Tube-Cover	2	For 61 Marquis & Super Certes
79 *	MBG6239	Spacer-Tapped 32 x 45 x 20	1	For 61 Marquis & Super Certes
80	MBG6724	Cover-Font	1	

# SMALL PEDESTRIAN MOWERS

## 2 CUTTING CYLINDER

Illustration Number: 4147235-2-new



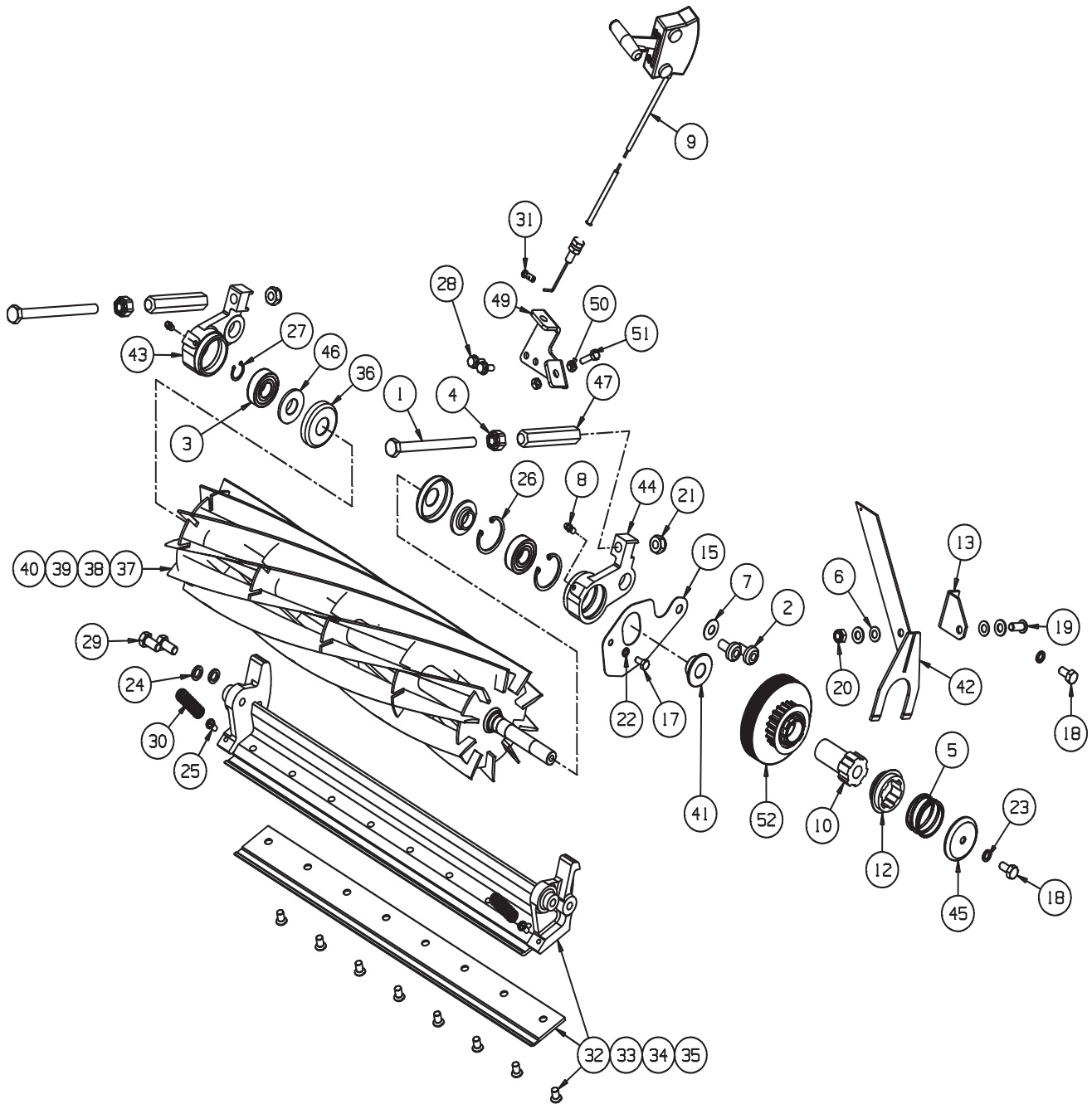
SMALL PEDESTRIAN MOWERS

ITEM	PART NO.	DESCRIPTION	QTY.	REMARKS
1	001090731	Bolt-Hex M10 x 140 (75 Thd)	2	
2	001290094	Scrw-Button Hd 3/8-24 x 3/4	2	
3	002036031	Brg-Ball 17 x 40 x 12	2	
4	002299358	Seal	2	Not used on 51 & 61 Marquis
5	002910760	Spring-Comp 43 I/D x .92" x 20	1	
6	002920501	Spring-Disc 8.2 x 16 x 0.9	2	
7	002920836	Spring-Disc 10.2 x 23x 1	2	
8	002993013	Lubricator-M6 Straight	2	
9	008111210	Cable-Cyl Clutch, Pedstrns	1	
10	4140286	Clutch sleeve-Belt Drive	1	
12	4142834	Sliding Clutch	1	
13	4142986	Bracket-Cyl Clutch Arm Pivot	1	
15	4143067	CoverPlate	1	
17	450168	Screw-Hex M6 x 12	1	
18	450190	Screw-Hex M8 x 16	2	
19	001290337	Screw-Button Hd M8 x 20	1	
20	450378	Nut-Hex M8 Nyloc	1	
21	450379	Nut-Hex M10 Nyloc	2	
22	450410	Lockwasher-M6 x 9.6 x 1.5	1	
23	450411	Lockwasher-M8 x 12.75 x 2	2	
24	450412	Lockwasher-M10 x 15.9 x 2.5	2	
25	451153	Scrw-Pan Hd No. 12 x 13	2	
26	451970	Circlip-Int 40 x 1.75 T	2	
27	452042	Circlip-Ext 17 x 1T	1	
28	452694	Screw-Hex M6 x 16 Taptite	2	
29	456010331	Screw-Hex 3/8-24 x 3/4	2	
30	461003665	Spring	2	
31	804100288	Nipple, Solderless	1	
32	LMAY588A	Block & Blade Asm	1	51 Super Bowl & Super Certes
*	MBA7051	• Bottom Blade	1	
*	001190026	• Screw-Csk 5/16-18 x 3/8	8	
33	LMAA786A	Block & Blade Asm	1	61 Super Certes
*	MBA7083	• Bottom Blade		
*	001190026	• Screw-Csk 5/16-18 x 3/8	7	
34	LMAY590A	Block & Blade Asm	1	51 marquis
*	MBA7017	• Bottom Blade	1	
*	001190026	• Screw-Csk 5/16-18 x 3/8	6	
35	LMAA787A	Block & Blade Asm	1	61 marquis
*	MBA7050	• Bottom Blade	1	
*	001190026	• Screw-Csk 5/16-18 x 3/8	7	

# SMALL PEDESTRIAN MOWERS

## 2 CUTTING CYLINDER

Illustration Number: 4147235-2-new





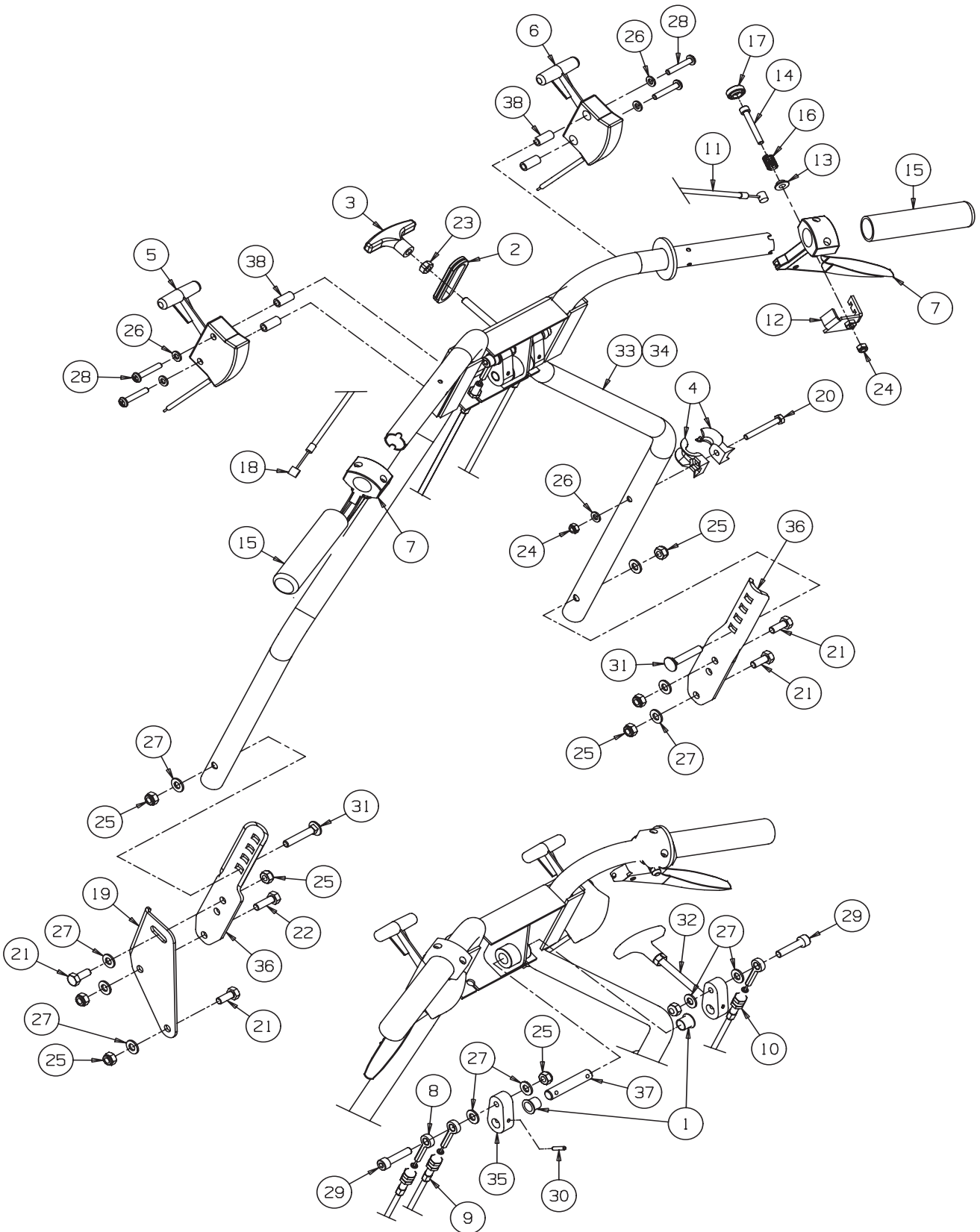
## SMALL PEDESTRIAN MOWERS

ITEM	PART NO.	DESCRIPTION	QTY.	REMARKS
36	LOY0013	Dust Cover	2	
37	MBC3139E	Wldmt-Cyl 10K x 51 cm	1	51 Super Bowl & Super Certes
38	MBC3140E	Wldmt-Cyl 10K x 61 cm	1	61 Super Certes
39	MBF2159	Wldmt-Cyl 6K x 51 cm	1	51 Marquis
40	MBC4518E	Wldmt-Cyl 5K x 61 cm	1	61 Marquis
41	4177622	Distance Piece	1	
42	MBC3962B	Clutch Lever	1	
43	MBC3979	Bearing Housing RH	1	
44	MBC3980	Bearing Housing LH	1	
45	MBC4348	Bracket	1	No Longer Fitted
46	MBC5316	Retaining Plate	1	
47	MBC5915	Grease Ring	2	
48	MBC7028	Locknut-Hex M10 x 95 lg	2	Not used on 51 & 61 Marquis
49	4165080	Clutch Cable Bracket	1	Fitted when Item 45 Superceded
50	450323	Nut Hex M6	2	
51	450171	Scrw-Hex M6 x 20	1	
52	4178180	Spares Assy -Drive Pulley + Bush	1	
	• 4178080	Cylindrical Bush, DU 24 x 27 x 30	1	
	or			
	• 4145025	Cylindrical Bush, DU 24 x 27 x 25	1	
		ALTERNATIVE FITTINGS		
*	MBA7057	Bottom Blade (Thin) 51cm	1	51 Super Bowl & Super Certes
*	MBA7092	Bottom Blade (Thin) 61cm	1	61 Super Certes

# SMALL PEDESTRIAN MOWERS

## 3 HANDLES

Illustration Number: 4143585-2



SMALL PEDESTRIAN MOWERS

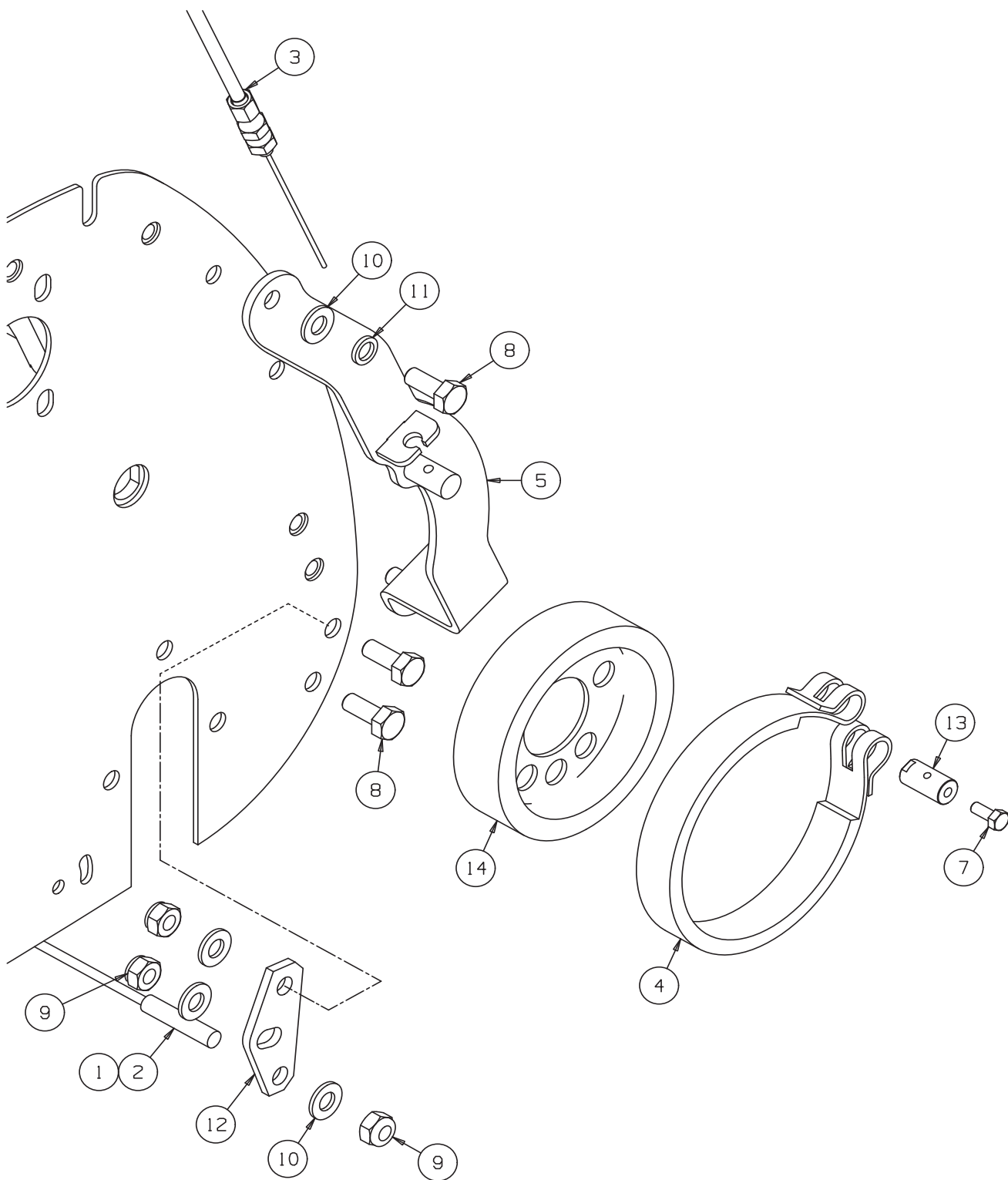
ITEM	PART NO.	DESCRIPTION	QTY.	REMARKS
1	002193350	Brg-Nyliner 12 x 13.6 x 12	2	
2	002953390	Grommet	1	
3	002990800	Tee Handle	1	
4	006500400	Recoil Rope Guide	1	
5	008111210	Clutch Cable	1	
6	008111230	Cable-Throttle, Pedstrns	1	
7	008111400	Lever-Landroll Clutch	2	LH Handlebar
*	4131062	OPC Lever Assy	1	RH Handlebar - comprising: Items 7, 12, 13, 14, 16, 17 & 24
8	009067800	Cable-Brake	1	Super Certes Only
9	009067810	Cable-Brake	1	Marquis & Super Bowl Only
10	009067820	Cable-Brake	1	Super Certes Only
11	009067840	Cable-Landroll Clutch	1	
12	4130979	Handle Bracket	1	
13	4130982	Spring Spigot	1	
14	4130983	Special Cap Screw	1	
15	4130984	Handle Grip	2	
16	4130985	Conical Spring	1	
17	4131063	Knurled Knob	1	
18	4139803	Landroll Clutch Cable	1	
19	4144207	Bracket-Handle LH	1	
20	450177	Scrw-Hex M6 x 50	1	
21	450191	Screw-Hex M8 x 20	4	
22	450192	Scrw-Hex M8 x 25	1	
23	450324	Nut-Hex M8	1	
24	450377	Nut-Hex M6 Nyloc	2	
25	450378	Nut-Hex M8 Nyloc	9	
26	450389	Wshr-M6 x 12.5 x 1.8	5	
27	450390	Washer-M8 x 17 x 1.8	11	
28	450545	Scrw-Pan Hd M6 x 35	4	
29	450726	Capscrw-Sckt M8 x 35	2	
30	451617	Pin-Tension 4 x 20	2	
31	452568	Bolt-Crg M8 x 45	2	
32	MBF2097	Asm-Brake Lever	1	
33	MBF2143	Wldmt-Handlebar, 51cm	1	
34	MBF2149	Wldmt-Handlebar, 61cm	1	
35	MBG5994	Lever-Brake	1	
36	MBG6150	Handlebar Support	2	
37	MBG6191	Shaft	1	
38	MBG6428	Spacer-6.3 x 10 x 21.5	4	

\* Not Illustrated

# SMALL PEDESTRIAN MOWERS

## 4a BRAKES & LANDROLL SCRAPER FOR MARQUIS & SUPER BOWL

Illustration Number: 4147308-2



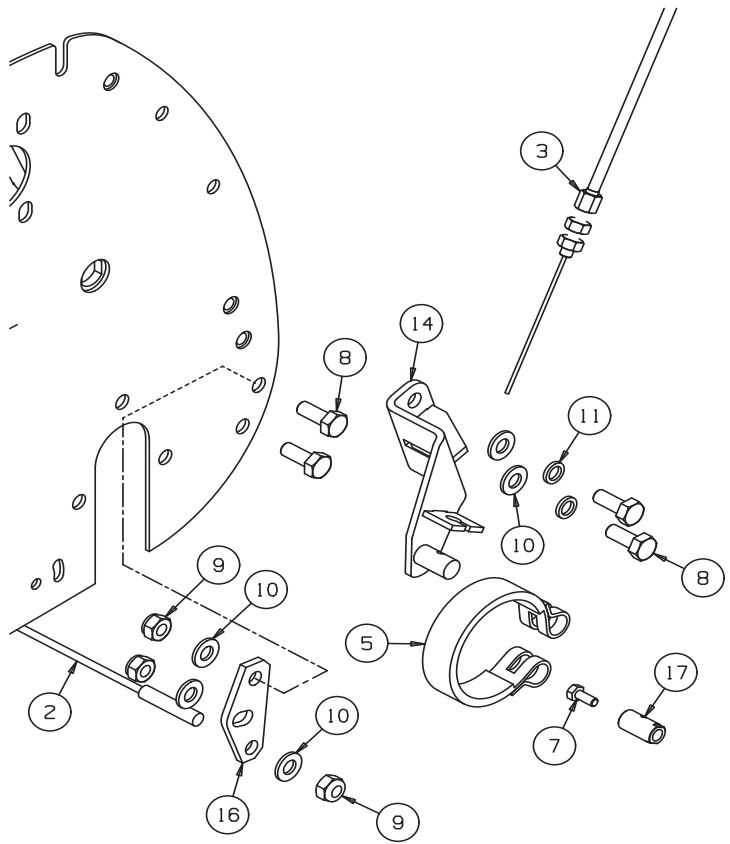
SMALL PEDESTRIAN MOWERS

ITEM	PART NO.	DESCRIPTION	QTY.	REMARKS
1	009067130	Scraper	1	61 Marquis
2	009167150	Scraper	1	51 Marquis & Super Bowl
3	009067810	Brake Cable	1	
4	009151220	Brake Band	1	
5	4143005	Wldmt-Brake Bracket	1	
6		Wldmt-Main Frame	1	
7	450149	Screw-Hex M5 x 12	1	
8	450191	Screw-Hex M8 x 20	6	
9	450378	Nut-Hex M8 Nyloc	6	
10	450390	Washer-M8 x 17 x 1.8	8	
11	450411	Lockwshr-M8 x 12.75 x 2	2	
12	MBG1335	Scraper Bracket	2	
13	MBG6091	Cable Clamp	1	
14	MBG6396	Brake Drum	1	

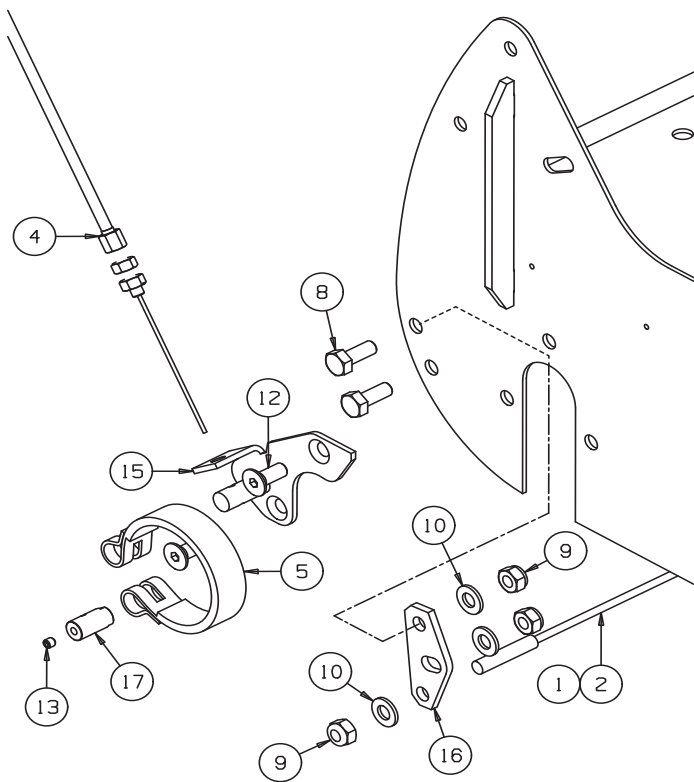
# SMALL PEDESTRIAN MOWERS

## 4b BRAKES & LANDROLL SCRAPER FOR SUPER CERTES

Illustration Number: 2970004-2



ASSEMBLY LH SIDE



ASSEMBLY RH SIDE

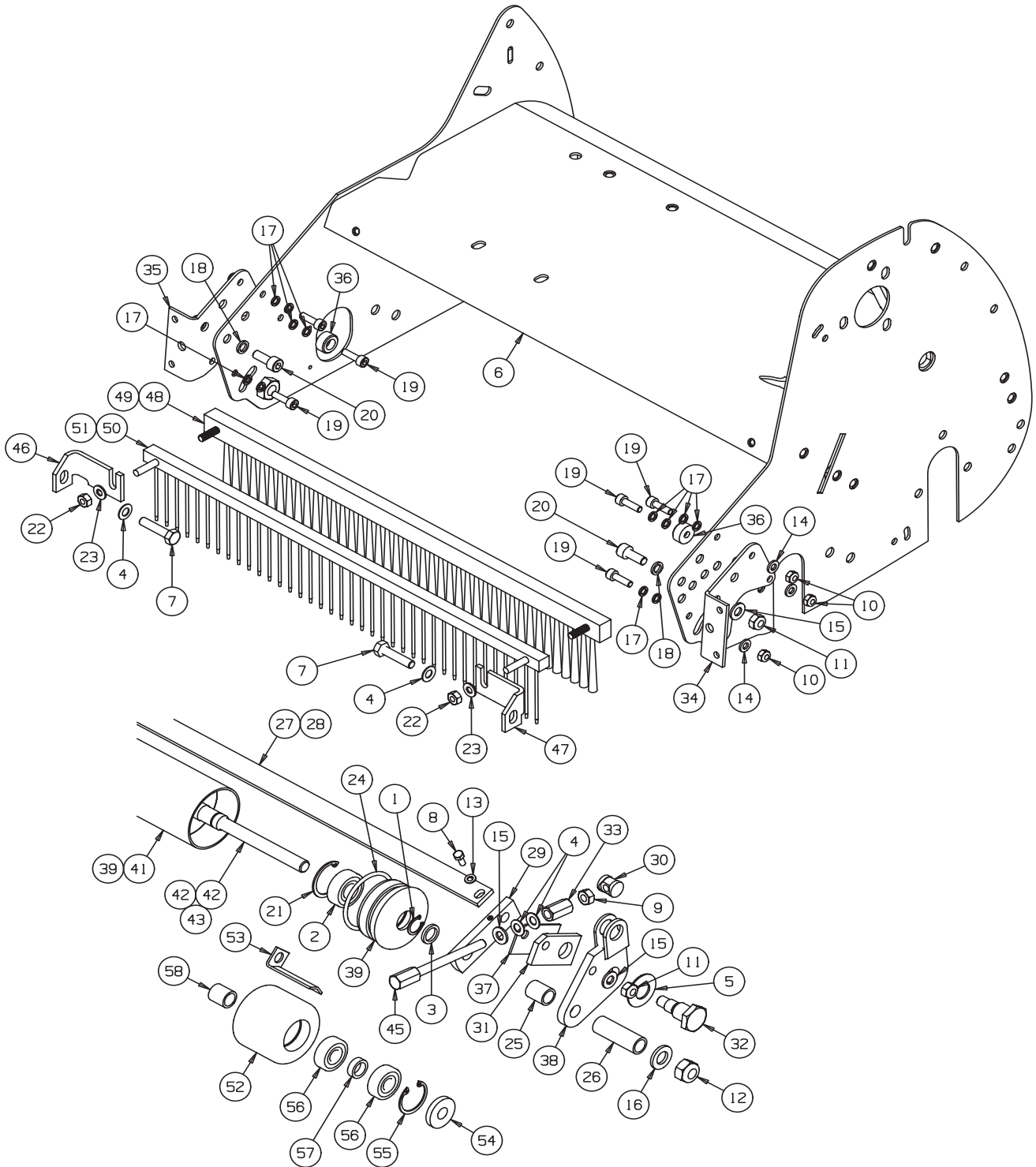
SMALL PEDESTRIAN MOWERS

ITEM	PART NO.	DESCRIPTION	QTY.	REMARKS
1	009067130	Scraper	1	61 Super Certes
2	009167150	Scraper	1	51 Super Certes
3	009067800	Cable-Brake	1	
4	009067820	Cable-Brake	1	
5	009151210	Brake Band	2	
6		Wldmt-Main Frame	1	
7	450149	Screw-Hex M5 x 12	1	
8	450191	Screw-Hex M8 x 20	6	
9	450378	Nut-Hex M8 Nyloc	6	
10	450390	Washer-M8 x 17 x 1.8	8	
11	450411	Lockwshr-M8 x 12.75 x 2	2	
12	450865	Scrw-Sckt Csk M8 x 20	2	
13	450949	Scrw-Set M5 x 5, Cup Pnt	1	
14	MBF2025	Wldmt-Brake Plate LH	1	
15	MBF2028	Wldmt-Brake Plate RH	1	
16	MBG1335	Scraper Bracket	2	
17	MBG6091	Cable Clamp	2	

# SMALL PEDESTRIAN MOWERS

## 5a FRONT ROLL FOR SUPER BOWL & SUPER CERTES

Illustration Number: 2970005-2





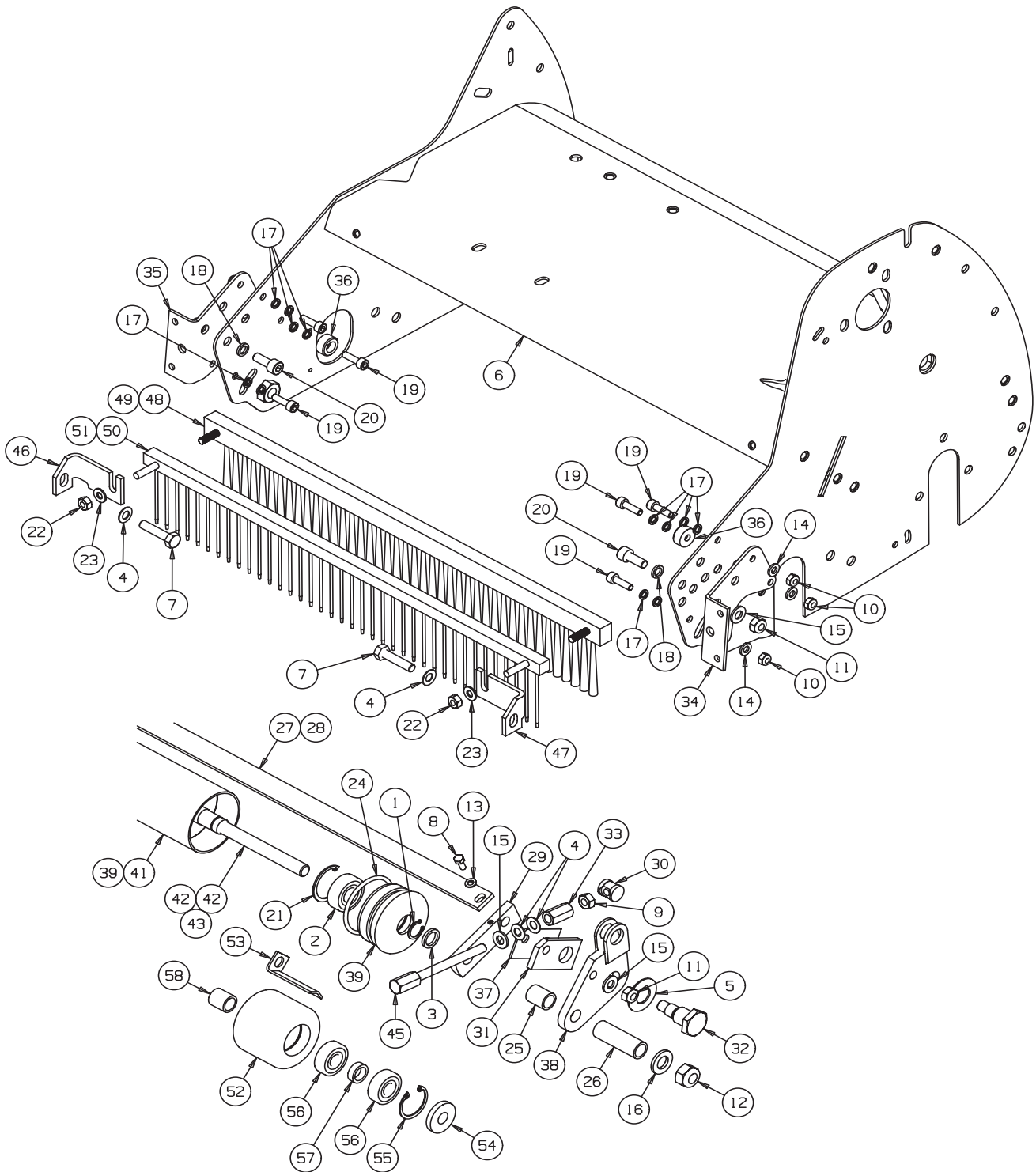
SMALL PEDESTRIAN MOWERS

ITEM	PART NO.	DESCRIPTION	QTY.	REMARKS
1	001799230	Ext Circlip, 15 mm	2	
2	002036023	Brg-Ball 15 x 35 x 11	2	
3	002219120	Quad Ring 13.95 ID x 2.62 Sect	2	
4	002920501	Sprg-Disc 8.2 x 16 x 0.9	6	
5	002921222	Spring-Disc 16.3 x 34 x 1.5	2	
6		Wldmt-Main Frame	1	
7	450015	Bolt-Hex M8 x 35	2	
8	450149	Screw-Hex M5 x 12	2	
9	450324	Nut-Hex M8	2	
10	450377	Nut-Hex M6 Nyloc	6	
11	450378	Nut-Hex M8 Nyloc	4	
12	450380	Nut-Hex M12 Nyloc	2	
13	450388	Washer-M5 x 10 x 1.1	2	
14	450389	Washer-M6 x 12.5 x 1.8	6	
15	450390	Washer-M8 x 17 x 1.8	6	
16	450392	Washer-M12 x 24 x 2.7	2	
17	450410	Lockwasher-M6 x 9.6 x 1.5	12	
18	450411	Lockwshr-M8 x 12.75 x 2	2	
19	450712	Capscrw-Sckt M6 x 20	6	
20	450723	Capscrw-Sckt M8 x 20	2	
21	451965	Circlip-Int 35 x 1.5 T	2	
22	450020037	Nut-Hex 1/4-28	2	
23	452000211	Wshr-1/4 x 9/16 x .056	2	
24	640001084	O-Ring 53.57 ID x 3.53 Sect	2	
25	AF13020	Spacer-13 x 17.1 x 20	2	
26	AF13050	Spacer-13 x 17.1 x 50	2	
27	MBA5439	Scraper	15	1 Super Bowl & Super Certes
28	MBC3974	Scraper	16	1 Super Certes
29	MBC3973	Link	2	
30	MBC5274B	Trunnion	2	
31	MBC5914A	Packer	2	
32	MBC5917A	Pivot Pin	2	
33	MBC7026	Adjusting Collar	2	
34	MBC9636	Bracket LH	1	
35	MBC9637	Bracket RH	1	
36	MBC9836	Spacer	2	For Super Certes Only
37	MBC9872	Packer Shim	2	
38	MBE0342	Carriage	2	
39	MBE1471C	Roll End	2	
40	MBE1470	Roll Tube	16	1 Super Certes

# SMALL PEDESTRIAN MOWERS

## 5a FRONT ROLL FOR SUPER BOWL & SUPER CERTES

Illustration Number: 2970005-2



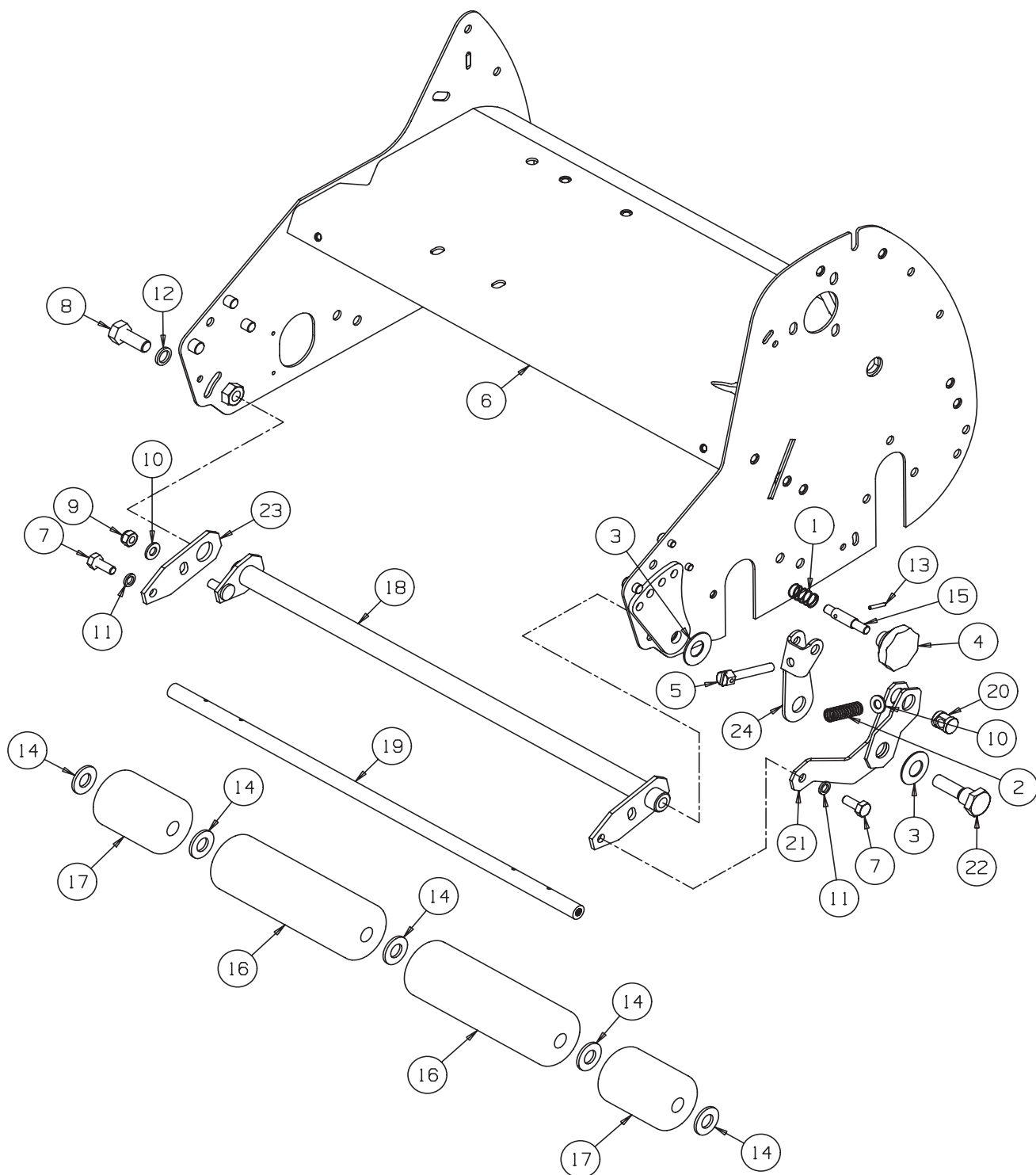
## SMALL PEDESTRIAN MOWERS

ITEM	PART NO.	DESCRIPTION	QTY.	REMARKS
41	MBE2280	Roll Tube	1	51 Super Bowl & Super Certes
42	MBE2281	Front Roll Spindle	1	51 Super Certes
43	MBE2282	Front Roll Spindle	1	51 Super Bowl
44	MBE2322	Front Roll Spindle	1	61 Super Certes
45	MBF2219	Asm-Front Roll Adj Scrw	2	
46	MBG1272A	Bracket RH	1	
47	MBG1275A	Bracket LH	1	
48	009151117	Brush Assy 51 cm	1	
49	009151078	Brush Assy 61 cm	1	
50	890013488	Rake Assy 51 cm	1	
51	009151060	Rake Assy 61 cm	1	
<b>OUTRIGGER ROLLS</b> <b>(LMAA831- Use on Super Certes Models Only)</b>				
52	MBC3102A	Outrigger Roll	2	
53	MBC3976A	Scraper	2	
54	MBC5313	Dust Cover	2	
55	451962	Circlip-Int 32 x 1.2 T	2	
56	002036015	Brg-Ball 12 x 32 x 10	4	
57	MBC3105	Spacer-.542 x 3/4 x 6 mm	2	
58	AF13018	Spacer-13 x 17.1 x 18	2	
*	LMSE149	Asm-Grooved Front Roll, 51cm	1	See 'Accessories' Section 11
*	LMSE150	Asm-Grooved Front Roll, 61cm	1	See 'Accessories' Section 11

# SMALL PEDESTRIAN MOWERS

## 5b FRONT ROLL FOR 51 MARQUIS

Illustration Number: 2990005-2



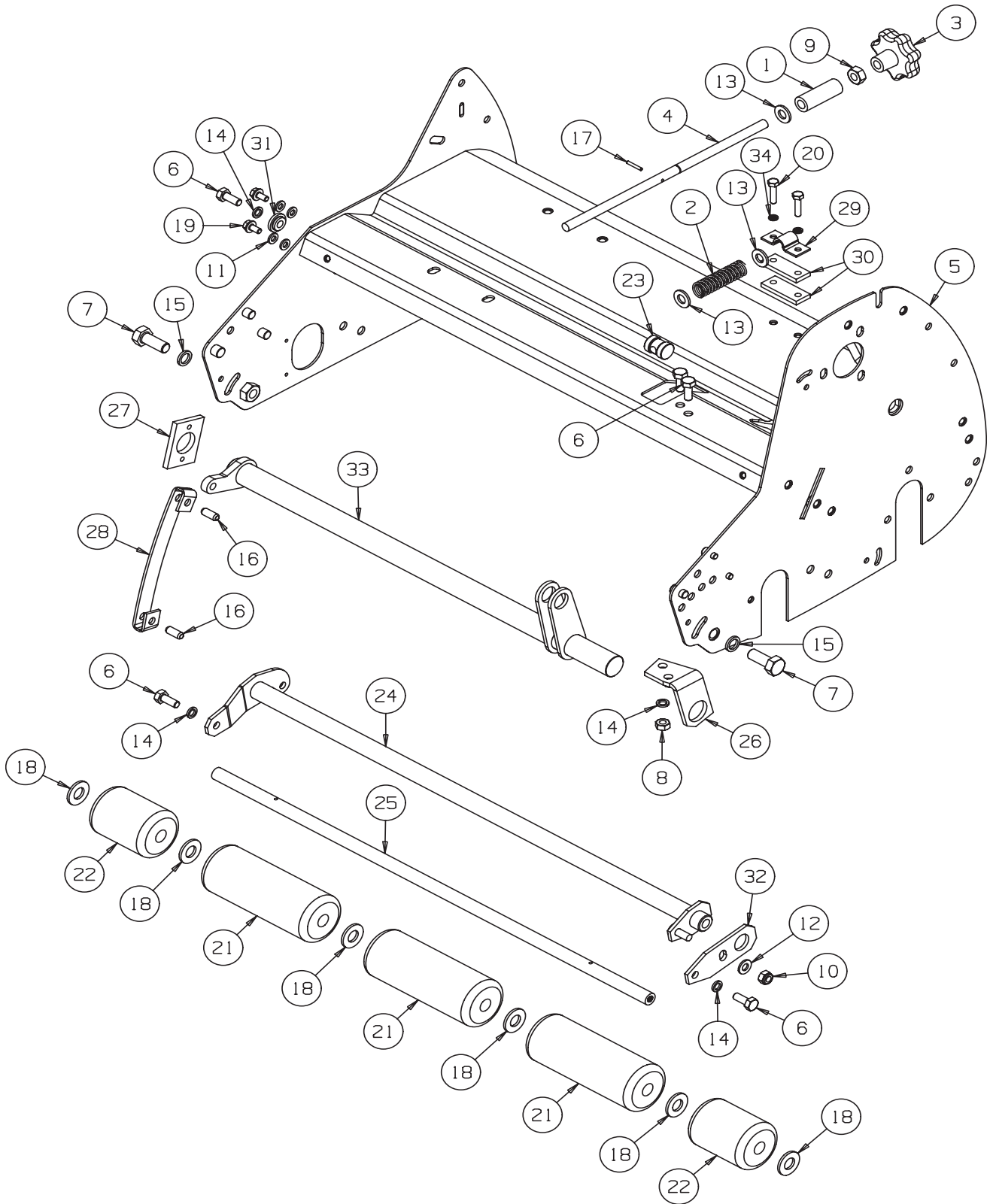
SMALL PEDESTRIAN MOWERS

ITEM	PART NO.	DESCRIPTION	QTY.	REMARKS
1	002910540	Sprg-Comp 14 x 1 x 25	1	
2	002910859	Sprg-Comp 11.13 x 1.42 x 38.1	1	
3	002921222	Spring-Disc 16.3 x 34 x 1.5	2	
4	002990293	Plastic Star Knob-M8 x 40	1	
5	009070107	Adjuster	1	
6	4143028	Wldmt-Main Frame	1	51 Marquis
7	450191	Screw-Hex M8 x 20	2	
8	450241	Screw-Hex M12 x 30	1	
9	450378	Nut-Hex M8 Nyloc	1	
10	450390	Washer-M8 x 17 x 1.8	2	
11	450411	Lockwshr-M8 x 12.75 x 2	2	
12	450413	Lockwshr-M12 x 17.9 x 2.5	1	
13	451581	Pin-Tension 3 x 20	1	
14	452000473	Wshr-9/16 x 1-1/8 x .104	5	
15	482102539	Pin	1	
16	603000700	Wood Roll	2	LSD5988Z
17	603000742	Wood Roll	2	MBA4357Z
18	MBC3953A	Roll Carriage	1	
19	MBC5201	Spindle	1	
*	451241	Split Pin-3.2 x 22	2	Only used when centre rolls are removed.
20	MBC5328A	Trunnion	1	
*	001993038	• Insert-Helicoil M8 x 1D	1	
21	MBC5330A	Adjusting Lever	1	
22	MBC9862	Pivot LH	1	
23	MBE3426	Carriage	1	
24	MBF1340	Inner Carriage	1	
*	LMSE152	Asm-Steel Front Roll, 51 Marquis	1	See 'Accessories' Section 11

# SMALL PEDESTRIAN MOWERS

## 5c FRONT ROLL FOR MARQUIS 61

Illustration Number: 301R0005-2



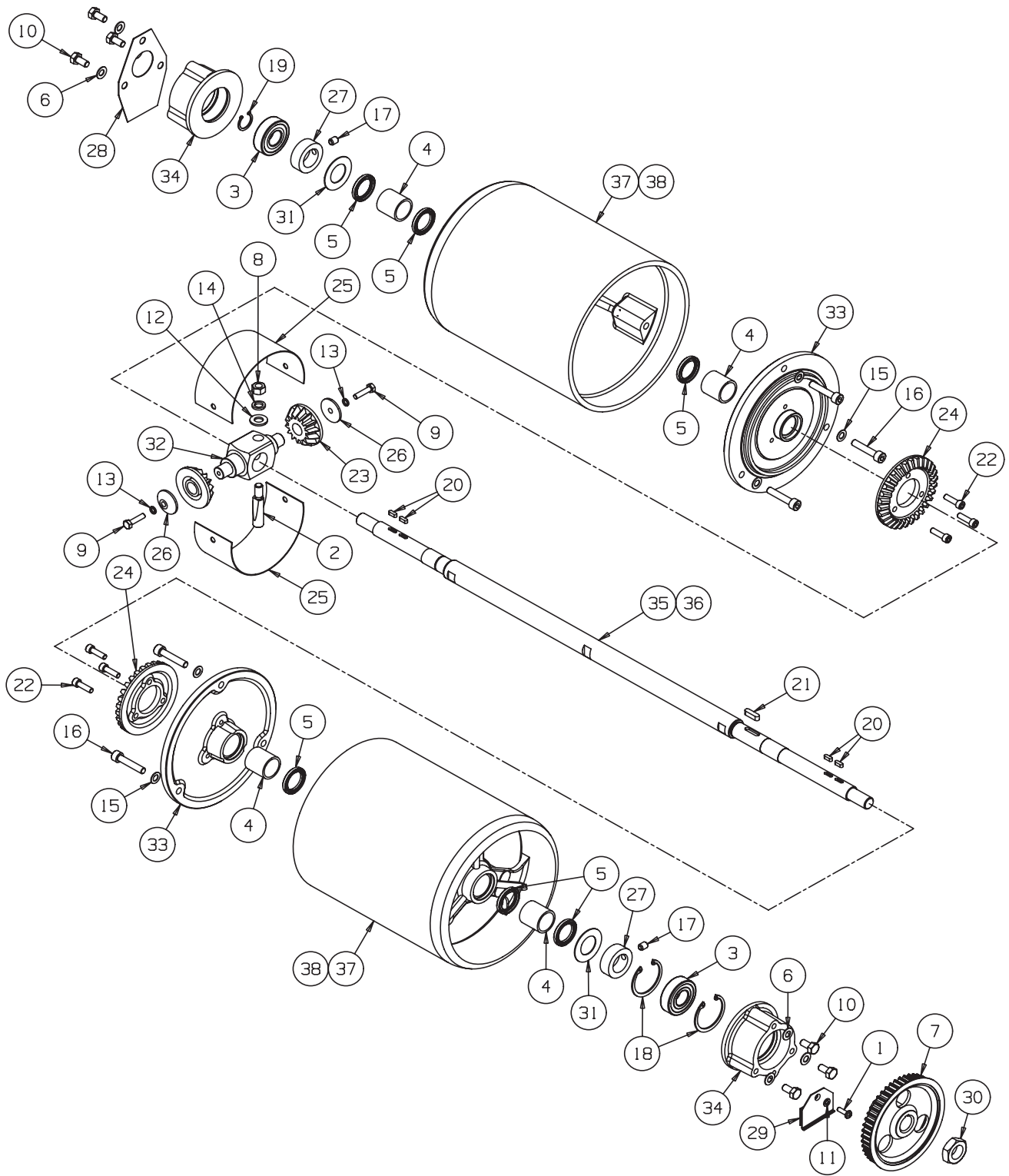
SMALL PEDESTRIAN MOWERS

ITEM	PART NO.	DESCRIPTION	QTY.	REMARKS	
1	002193295	Bush-Nylon 10.4 x 18 x 50	1	61 Marquis	
2	002910794	Sprg-Comp 15.88 x 1.83 x 63.5	1		
3	002990552	M10 Handwheel	1		
4	009071030	Adjusting Screw	1		
5	4143029	Wldmt-Main Frame	1		
6	450191	Screw-Hex M8 x 20	5		
7	450241	Screw-Hex M12 x 30	2		
8	450324	Nut-Hex M8	2		
9	450325	Nut-Hex M10	1		
10	450378	Nut-Hex M8 Nyloc	1		
11	450389	Washer-M6 x 12.5 x 1.8	4		
12	450390	Washer-M8 x 17 x 1.8	1		
13	450391	Washer-M10 x 21 x 2.2	3		
14	450411	Lockwshr-M8 x 12.75 x 2	5		
15	450413	Lockwshr-M12 x 17.9 x 2.5	2		
16	451488	Pin-Spirol 8 x 20	2		
17	451581	Pin-Tension 3 x 20	1		
18	452000473	Wshr-9/16 x 1-1/8 x .104	6		
19	452692	Screw-Hex M6 x 12 Taptite	2		
20	452695	Screw-Hex M6 x 20 Taptite	2		
21	603000734	Woodroll	3		MBA4356Z
22	603000742	Woodroll	2		MBA4357Z
23	MBC3218	Ferrule	1		
24	MBC4544A	Roll Carriage	1		
25	MBC4548A	Spindle	1		
26	MBC5383	Bearing Bracket	1		
27	MBC5384	Bearing Plate	1		
28	MBC5385	Link	1		
29	MBC5387	Support Bracket	1		
30	MBC5389	Packer	2		
31	MBE3426	Collar	1		
32	MBE3426	Carriage	1		
33	MBF2176	Wldmt-Cross Shaft	1		
34	450410	Wshr - M6 Slw	2		
*	LMSE153	Asm-Steel Front Roll, 61 Marquis	1	See 'Accessories' Section 11	

# SMALL PEDESTRIAN MOWERS

## 6a LANDROLL - SUPER CERTES 51 & 61

Illustration Number: 4147313-2





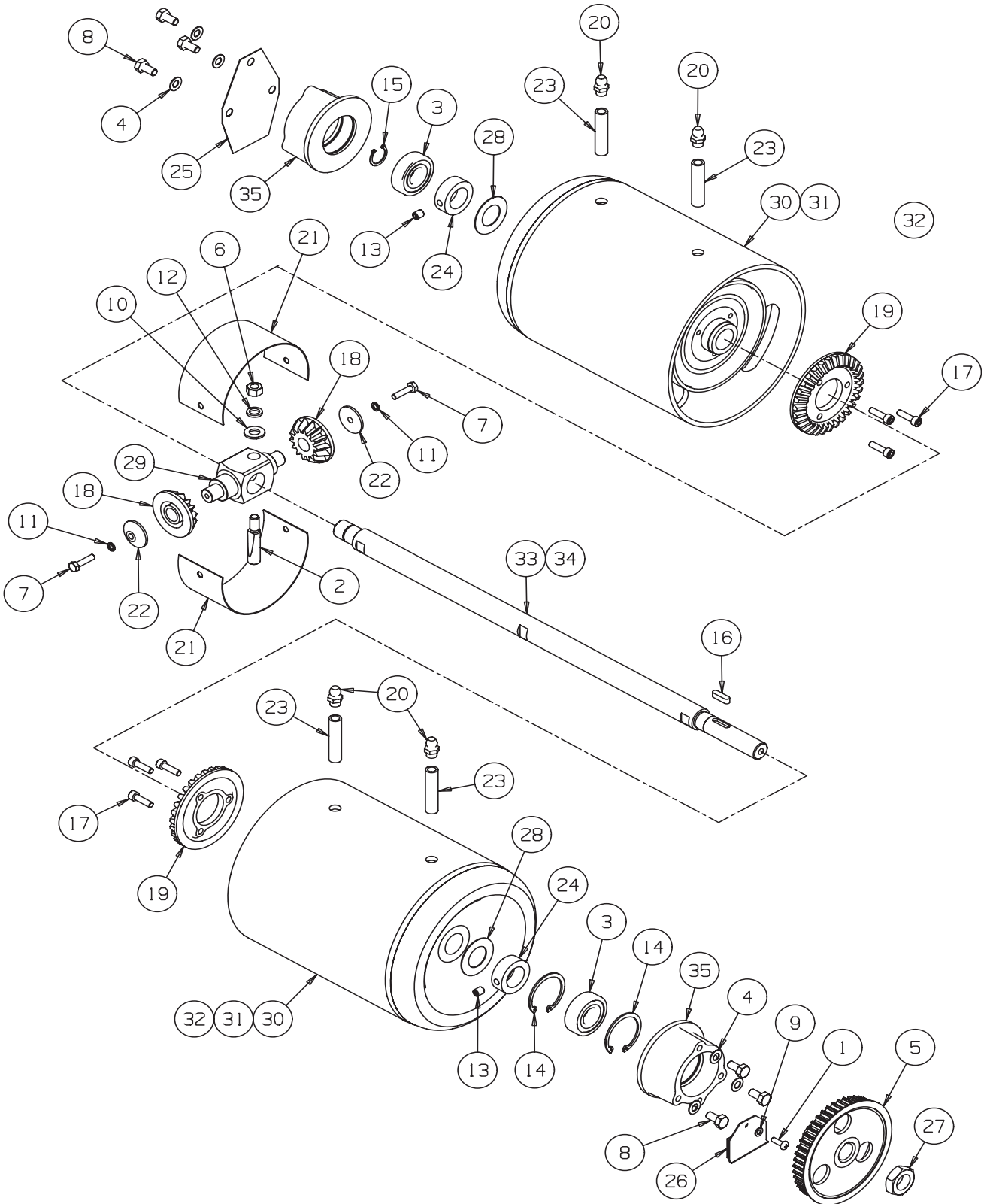
SMALL PEDESTRIAN MOWERS

ITEM	PART NO.	DESCRIPTION	QTY.	REMARKS
1	001191331	Scrw-Pan Hd M5 x 16 Taptite	1	
2	001490658	Cotter Pin, 1/2"	1	
3	002036049	Brg-Ball 20 x 47 x 14	2	
4	002193106	Bushing-Nylon 25 x 30 x 30	4	
5	002300580	Sealing Ring	6	
6	002920501	Sprg-Disc 8.2 x 16 x 0.9	6	
7	4136402	Landroll Pulley - 48 Teeth	1	
8	450020087	Nut-Hex 3/8-24	1	
9	450172	Screw-Hex M6 x 25	2	
10	450190	Screw-Hex M8 x 16	6	
11	450388	Washer-M5 x 10 x 1.1	1	
12	450391	Washer-M10 x 21 x 2.2	1	
13	450410	Lockwasher-M6 x 9.6 x 1.5	2	
14	450412	Lockwasher-M10 x 15.9 x 2.5	1	
15	450433	Lockwshr-M8 x 15 x 0.8 Ext Tooth	6	
16	450727	Capscrw-Sckt M8 x 40	6	
17	450968	Scrw-Set M8 x 10 Cup Pnt	2	
18	451977	Circlip-Int 47 x 1.75 T	2	
19	452045	Circlip-Ext 20 x 1.2 T	1	
20	452145	Key-4 x 4 x 12	4	
21	452176	Key-6 x 6 x 22	1	
22	456090042	Capscrw-Sckt 1/4-28 x 7/8	6	
23	690040344	Pinion, Bevel	2	
24	690040352	Bevel Gear	2	
25	MBA5284A	Dust Shield	2	
26	MBA5347A	Wshr-Cham 17/64 x 1-1/4 x 5/16	2	
27	MBC4559	Collar, Adjusting	2	
28	MBC4955	Cover Plate	1	
29	MBC5191A	Plate, Cover	1	
30	MBC5464	Nut-Hex M20-1.0	1	
31	MBC7008A	Wshr-25.4 x 45 x 1.00	2	
32	MBF1370	Carrier, Bevel Gear	1	
33	MBG0106A	Flange, Gear	2	
34	MBG5819	Housing	2	
35	MBG5837	Landroll Shaft	1	51 Super Certes
36	MBG5848	Landroll Shaft	1	61 Super Certes
37	MBG6102	Landroll	2	51 Super Certes
38	MBG6255	Landroll	2	61 Super Certes

# SMALL PEDESTRIAN MOWERS

## 6b LANDROLL - 51 & 61 MARQUIS and 51 SUPER BOWL

Illustration Number: 4147310-2

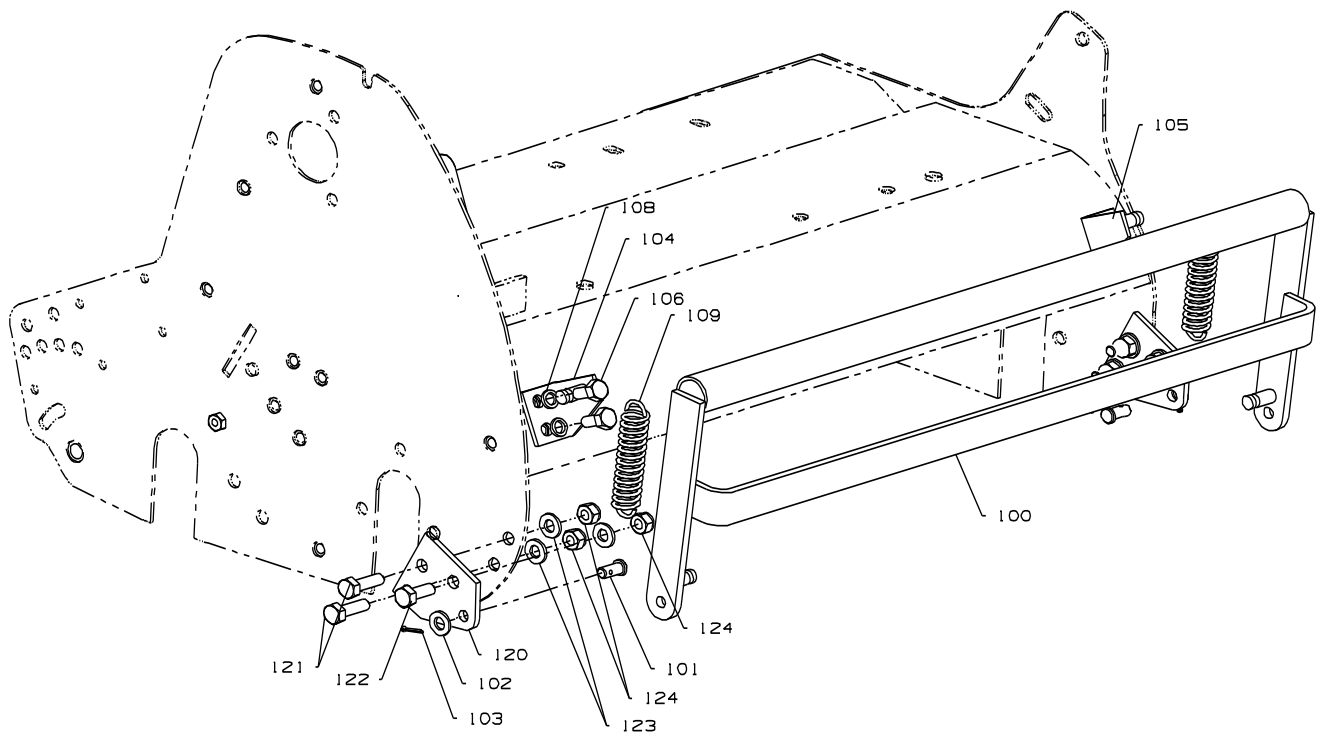


SMALL PEDESTRIAN MOWERS

ITEM	PART NO.	DESCRIPTION	QTY.	REMARKS
1	001191331	Scrw-Pan Hd M5 x 16 Taptite	1	
2	001490658	Cotter Pin, 1/2"	1	
3	002036049	Brg-Ball 20 x 47 x 14	2	
4	002920501	Sprg-Disc 8.2 x 16 x 0.9	6	
5	4136402	Landroll Pulley - 48 Teeth	1	
6	450020087	Nut-Hex 3/8-24	1	
7	450172	Screw-Hex M6 x 25	2	
8	450190	Screw-Hex M8 x 16	6	
9	450388	Washer-M5 x 10 x 1.1	1	
10	450391	Washer-M10 x 21 x 2.2	1	
11	450410	Lockwasher-M6 x 9.6 x 1.5	2	
12	450412	Lockwasher-M10 x 15.9 x 2.5	1	
13	450968	Scrw-Set M8 x 10 Cup Pnt	2	
14	451977	Circlip-Int 47 x 1.75 T	2	
15	452045	Circlip-Ext 20 x 1.2 T	1	
16	452176	Key-6 x 6 x 22	1	
17	456090042	Capscrw-Sckt 1/4-28 x 7/8	6	
18	690040344	Pinion, Bevel	2	
19	690040352	Bevel Gear	2	
20	840000270	Grease Nipple	4	
21	MBA5284A	Dust Shield	2	
22	MBA5347A	Wshr-Cham 17/64 x 1-1/4 x 5/16	2	
23	MBC3307	Grease Tube	4	
24	MBC4559	Collar, Adjusting	2	
25	MBC4954	Cover Plate	1	
26	MBC5191A	Plate, Cover	1	
27	MBC5464	Nut-Hex M20-1.0	1	
28	MBC7008A	Wshr-25.4 x 45 x 1.00	2	
29	MBF1370	Carrier, Bevel Gear	1	
30	MBF2037A	Asm-Landroll, 51 S/Bowl Plain	2	51 Super Bowl
31	MBF2036	Asm-Landroll, 51 Marq Ribbed	2	51 Marquis
32	MBC3308	Asm-Landroll, 61 Marq Ribbed	2	61 Marquis
33	MBG5797	Landroll Shaft	1	51 Marquis and Super Bowl
34	MBG5867	Landroll Shaft	1	61 Marquis
35	MBG5819	Housing	2	

# SMALL PEDESTRIAN MOWERS

## 7 KICKSTAND



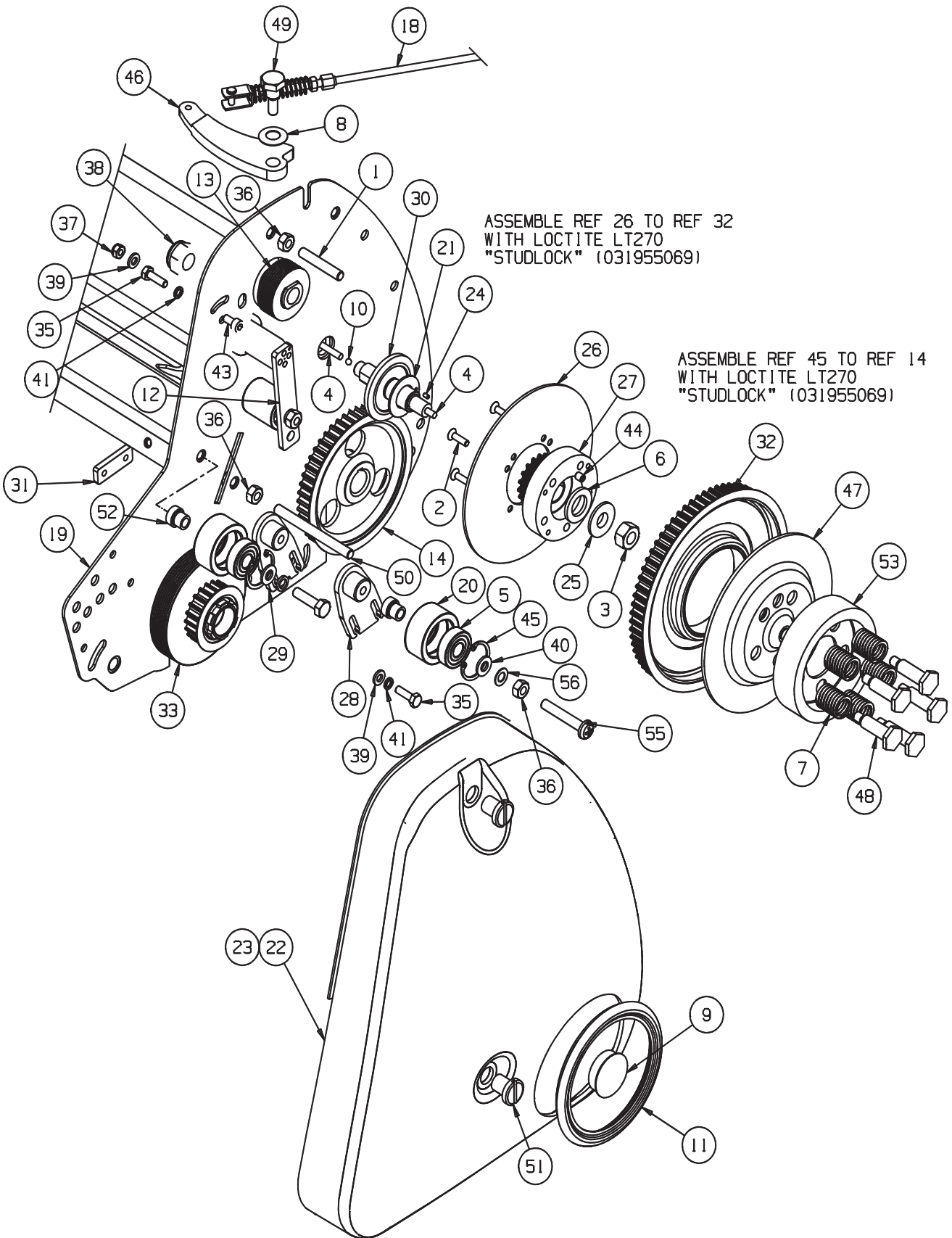
## SMALL PEDESTRIAN MOWERS

ITEM	PART NO.	DESCRIPTION	QTY.	REMARKS
100	MBC4150C	Kickstand 51cm	1	For 51 Super Certes only
*	MBC4151C	Kickstand 61cm	1	For 61 Super Certes only
101	454400245	Clevis Pin, 5/16" Dia X 5/8" Lg	2	
102	450390	Wshr-M8 X 17 X 1.8	2	
103	451208	Split Pin-2 X 14	2	
104	MBC4158	Anchor Bracket	1	
105	MBC4157	Anchor Bracket	1	
106	450190	Scrw-hex M8 X 16	4	
108	450411	Lockwshr-M8 X 12.75 X 2	4	
109	002900950	Sprg-ten 18x2.5x85.8	2	
120	MBC5703A	Plate	2	
121	450192	Scrw-hex M8 X 25	4	
122	450191	Scrw-hex M8 X 20	2	
123	450390	Wshr-M8 X 17 X 1.8	6	
124	450378	Nut-hex M8 Nyloc	6	

# SMALL PEDESTRIAN MOWERS

## 8 DRIVES AND LANDROLL CLUTCH

Illustration Number: 4147355-2-new



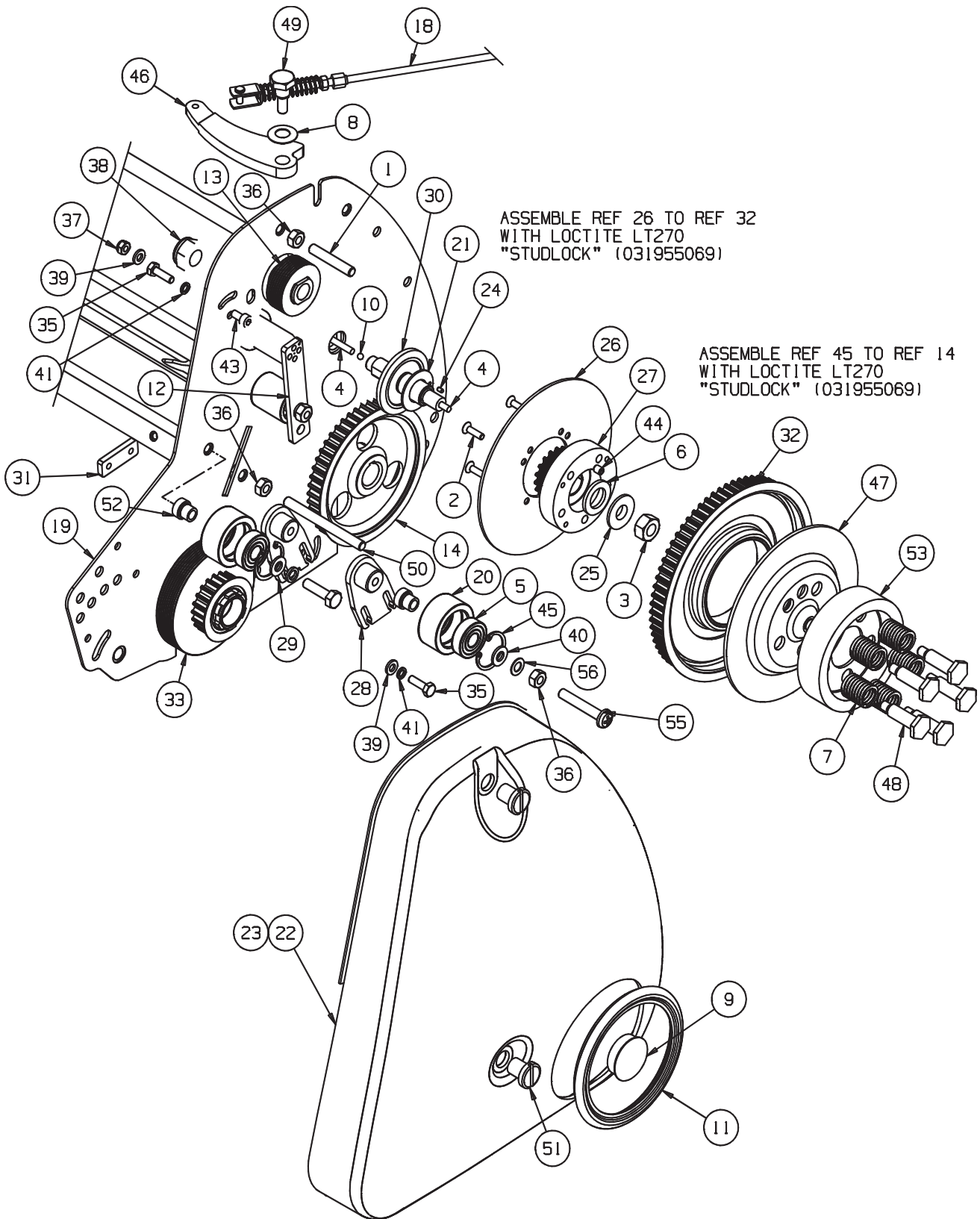
## SMALL PEDESTRIAN MOWERS

ITEM	PART NO.	DESCRIPTION	QTY.	REMARKS
1	001092262	Stud, M8 x 48	1	
2	001191315	Scrw-Csk M5 x 16 Taptite	4	
3	001393361	Nut-Hex M12 LH	1	
4	001434086	Pin	2	
5	002036015	Brg-Ball 12 x 32 x 10	1	
6	002192037	Thrust Collar	1	
7	002911017	Spring-Comp 17.5 x 2.75 x 35	5	
8	002920852	Sprg-Disc 12.2 x 25 x 0.7	1	
9	002952227	Plastic Plug	1	For Marquis & Super Bowl
10	002992017	Steel Ball	1	
11	009125100	Seal-Grommet	1	For Super Certes
12	4136381	Belt Tensioner-Auto Adjust	1	
13	4136398	Drive Pulley 7 Groove PJ	1	
14	4136402	Landroll Pulley-48 Teeth	1	
15	4136403	Primary Drive Belt-Poly V	1	Engine to Cutting Cylinder
16	4136404	Secondary Belt Drive-Toothed	1	Cutting Cylinder to Intermediate
17	4136405	Final Belt Drive-Toothed	1	Intermediate to Landroll
18	4139803	Landroll Clutch Cable	1	
19		Wldmt-Mainframe	1	
20	4143205	Primary Drive Idler	2	
21	4144907	Thrust Washer	1	
22	4147378	Side Cover	1	For Marquis & Super Bowl
23	4145730	Side Cover	1	For Super Certes
24	4147756	Dowel Pin	1	
25	4149877	Collar	1	
26	4150217	Inner Clutch Plate	1	
27	4153138	Spares Assy - Clutch Pulley + Bush	1	
	• 4178085	Cylindrical Bush	1	
28	4175823	Wldmt-Idler Pulley	1	For SuperBowl/Certes
29	4177563	Wldmt-Idler Pulley	1	For Marquis
30	4177621	Clutch Shaft	1	
31	4177661	Idler Backing Plate	1	
32	4178081	Intermediate Pulley Assembly	1	
	• 4178082	Cylindrical Bush,	1	
33	4178180	Spares Assy-Dble Pulley	1	
	• 4178080	Cylindrical Bush,	1	30mm Long
	or			
	• 4145025	Cylindrical Bush	1	25mm Long
34	450014	Bolt-Hex M8 x 30	1	
35	450171	Screw-Hex M6 x 20	3	

# SMALL PEDESTRIAN MOWERS

## 8 DRIVES AND LANDROLL CLUTCH

Illustration Number: 4147355-1



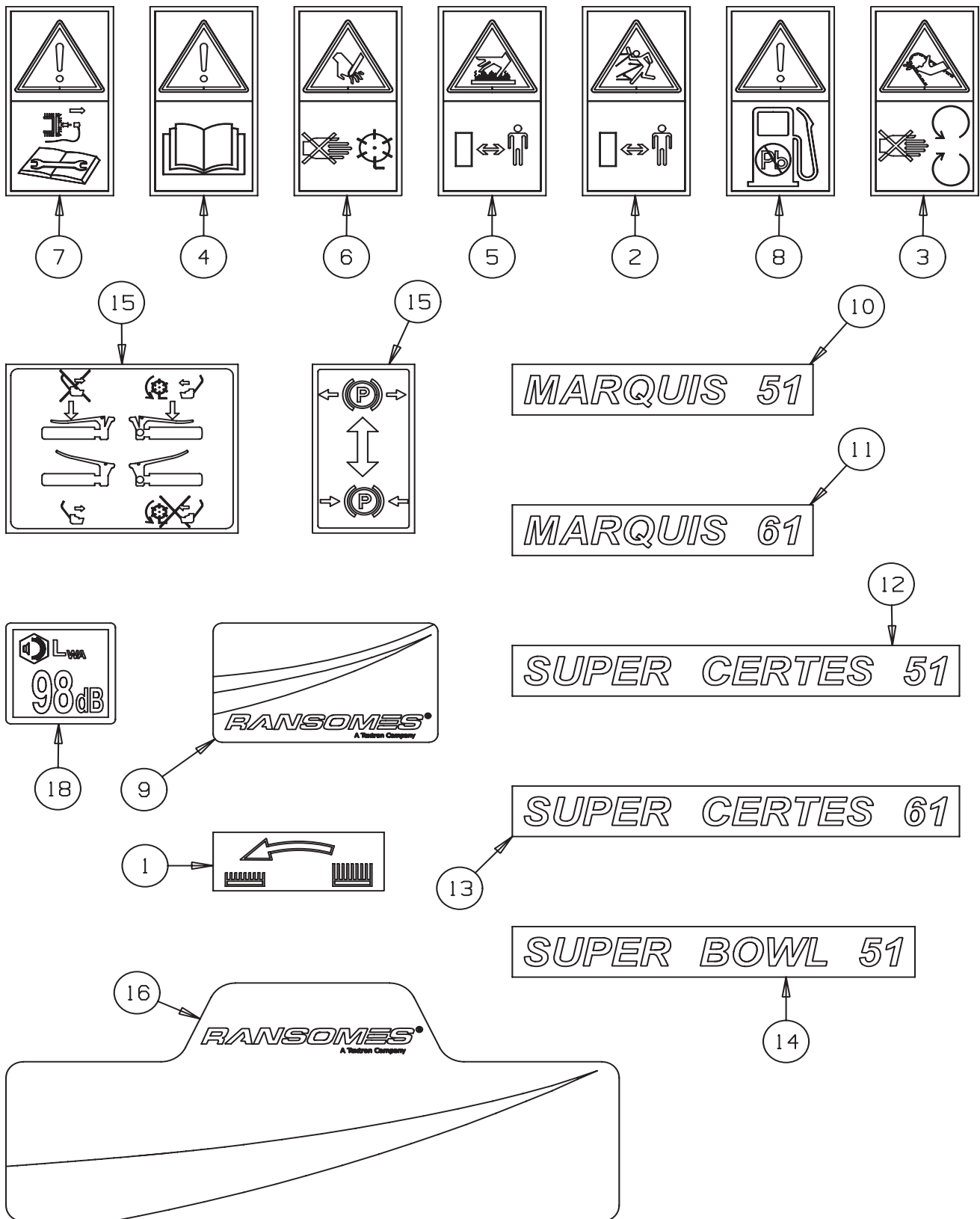


SMALL PEDESTRIAN MOWERS

ITEM	PART NO.	DESCRIPTION	QTY.	REMARKS
36	450324	Nut-Hex M8	3	
37	450377	Nut-Hex M6 Nyloc	1	
38	450382	Nut-Hex M16 Nyloc	1	
39	450389	Washer-M6 x 12.5 x 1.8	3	
40	450390	Washer-M8 x 17 x 1.8	2	
41	450410	Lockwasher-M6 x 9.6 x 1.5	3	
42	450411	Lockwshr-M8 x 12.75 x 2	1	
43	450710	Capscrw-Sckt M6 x 12	1	
44	450959	Scrw-Set M6 x 8, Cup Pnt	1	
45	451962	Circlip-Int 32 x 1.2 T	2	
46	MBC4430	Clutch Lever	1	
47	MBC4704	Outer Plate Assy	1	
48	MBC5916	Spring Bolt	5	
49	MBC5918	Shoulder Bolt	1	
50	MBC7111	Stud, M8 x 90	1	
51	MBE3667	A Cover Nut	2	
52	MBF0185	Sleeve, Bearing	2	
53	MBG6396	Brake Drum		1 For Marquis Only
54 *	MBG6508	Spacer-12 x 20 x 4.5		5 For 61 Marquis Only - Fit Under Head of Spring Bolt (Item 48)
55	450558	Scrw-Pan Hd M8 x 50	1	
56	450433	Lockwasher-M8 x 15 x 0.8 ext	1	

9 DECALS

Illustration Number: 000\_619\_decals



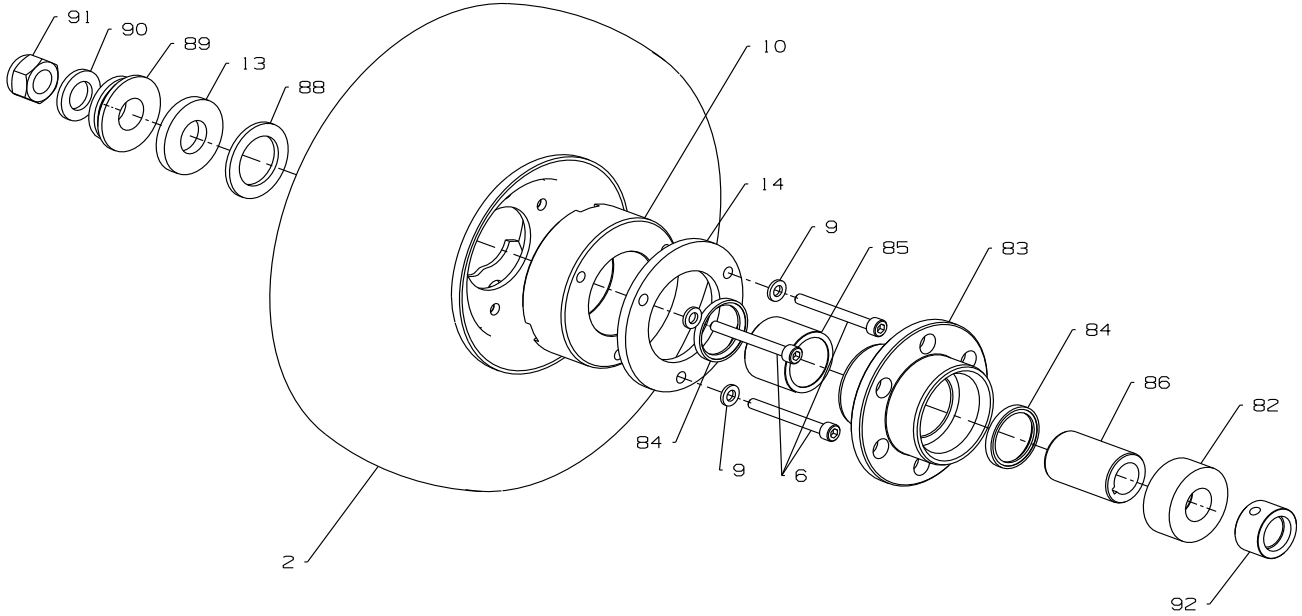
## SMALL PEDESTRIAN MOWERS

ITEM	PART NO.	DESCRIPTION	QTY.	REMARKS	
1	009034620	Decal-Height of Cut	1	Marquis 61 Only	
2	009034890	Decal-Bystander Warning	1		
3	009034900	Decal-Belt	1		
4	009034910	Decal-Instruction	1		
5	009034920	Decal-Hot	1		
6	009034940	Decal-Cylinder Hazard	1		
7	009034970	Decal-Spark Plug	1		
8	009114240	Decal-Petrol Hazard	1		
9	4124185	Decal-"Ransomes" Emblem	1		
10	4130713	Decal- 51 Marquis	1		
11	4130714	Decal-61 Marquis	1		
12	4130715	Decal- 51 Super Certes	1		
13	4130716	Decal- 61 Super Certes	1		
14	4130717	Decal- 51 Super Bowl	1		
15	4130883	Decal-OPC/Brakes	1		
16	4131813	Decal-Grassbox	1		For 51 cm Machines
17	4131814	Decal-Grassbox	1		For 61 cm Machines
18	4142985	Decal-98db Noise	1		

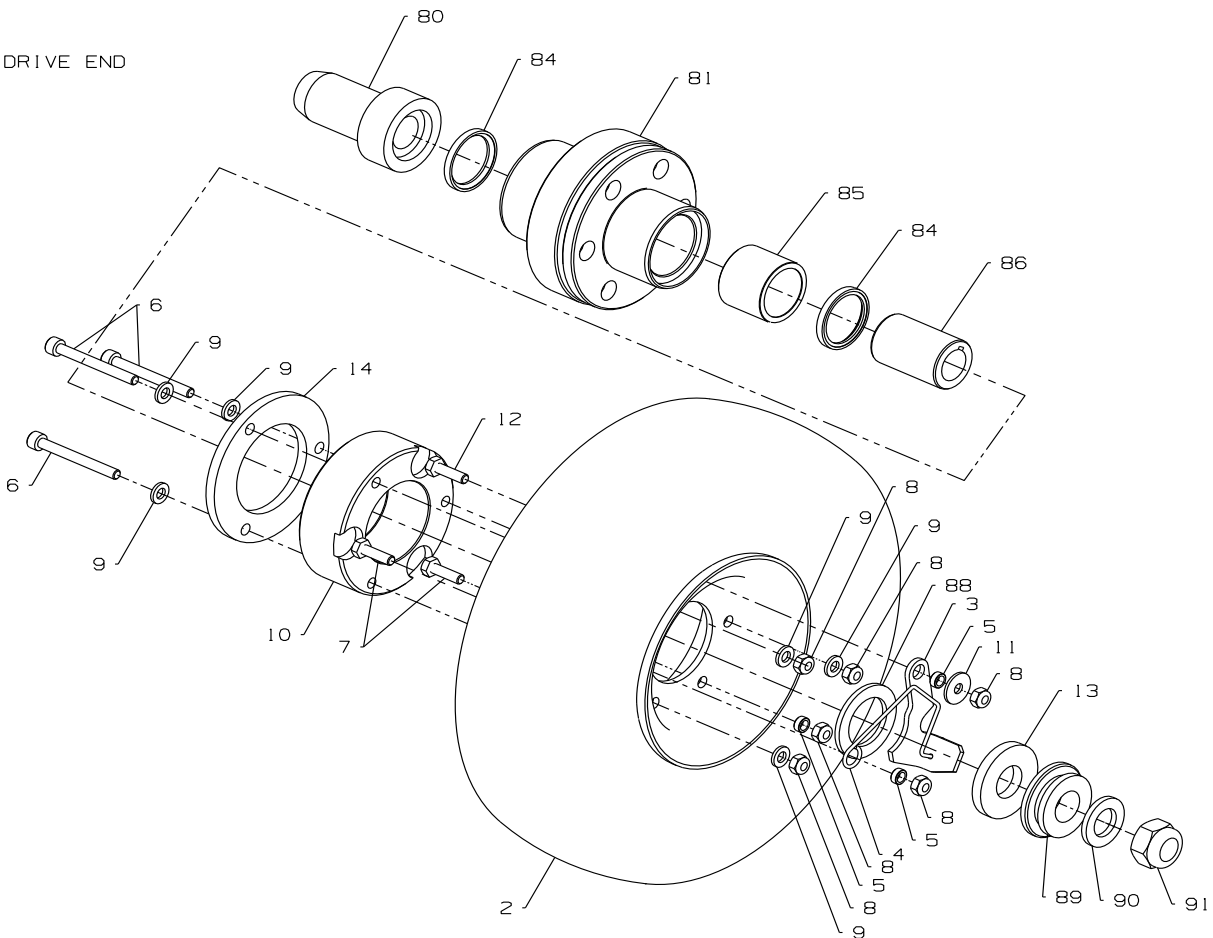
# SMALL PEDESTRIAN MOWERS

## 10 TRANSPORT WHEELS (SUPER CERTES ONLY)

NON DRIVE END



DRIVE END

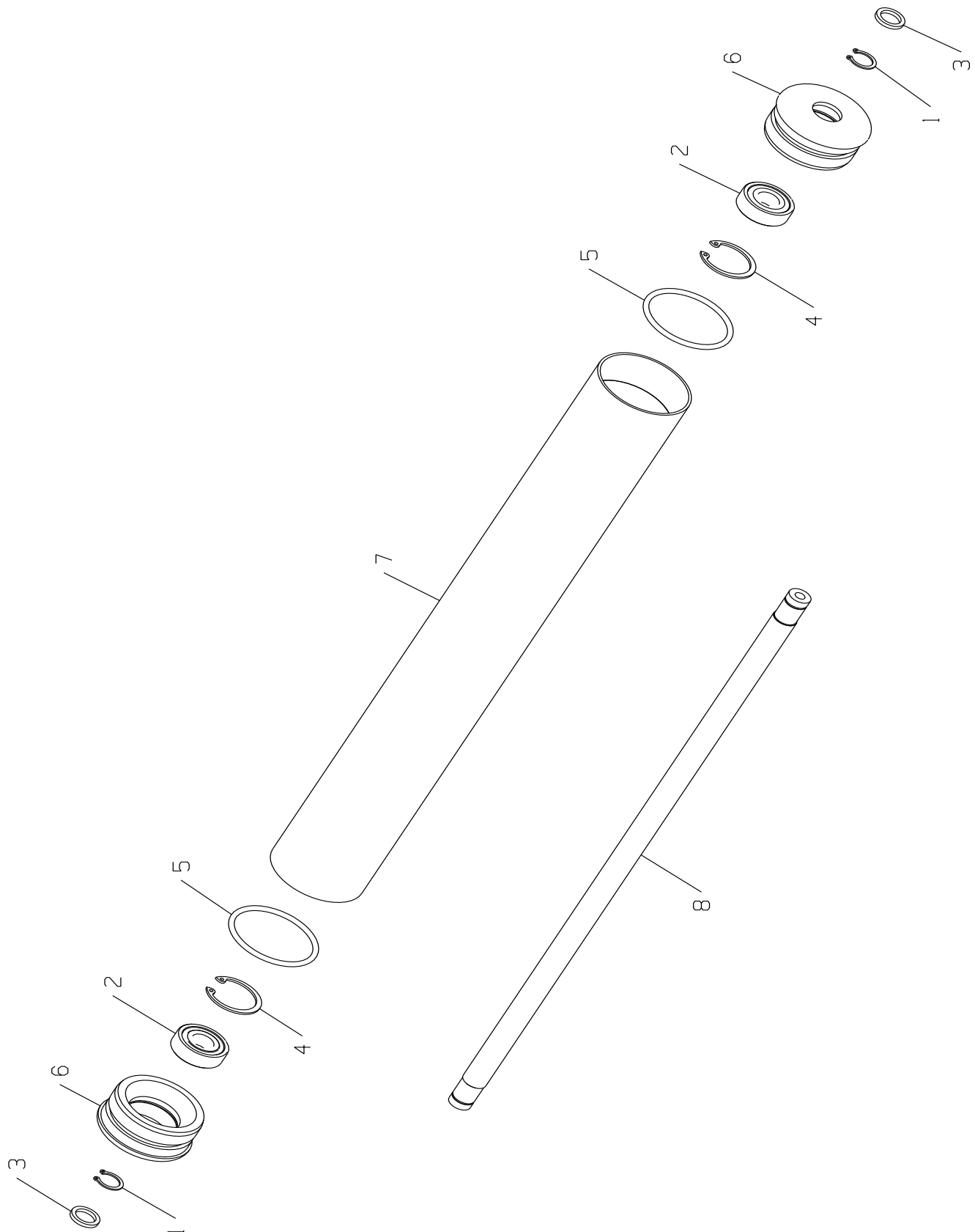


## SMALL PEDESTRIAN MOWERS

ITEM	PART NO.	DESCRIPTION	QTY.	REMARKS
2	008161810	Wheel Complete	2	
3	MBF0278A	Lever	2	
4	009063060	Spring	2	
5	MBF0277	Spacer-6.2 X 8.9 X 3.6	8	
6	450719	Capscrw-sckt M6 X 55	6	
7	450171	Scrw-hex M6 X 20	2	
8	450377	Nut-hex M6 Nyloc	6	
9	450389	Wshr-M6 X 12.5 X 1.8	7	
10	MBG3688	Wheel Spacer	1	
11	452000237	Wshr-1/4 X 3/4 X .064	1	
12	450172	Scrw-hex M6 X 25	1	
13	MBG6741	Wheel Lock Spacer	2	
14	MBG6742	Wheel Spacer	2	
80	MBG6026	Hub Spacer	1	
81	MBG6021	Brake Hub RH	1	
82	MBF0140	Spacer, Wheel Hub	1	
83	MBG6017	Brake Hub LH	1	
84	002300590	Sealing Ring	4	
85	002075320	30 mm Roller Clutch	2	
86	MBF0132	Clutch Sleeve	2	
88	MBF0136	Wshr-thrust 30 X 45 X 3	2	
89	MBF0137	Landwheel Collar	2	
90	450393	Wshr-M16 X 30 X 3.3	2	
91	450382	Nut-hex M16 Nyloc	2	
92	MBC4664	Spacer-19 x 30 x 17	1	
*	001190636	Screw-Sq Hd M6 x 16	1	Thro Item 92 to Landroll Shaft

# SMALL PEDESTRIAN MOWERS

## 11a PLAIN STEEL ROLL

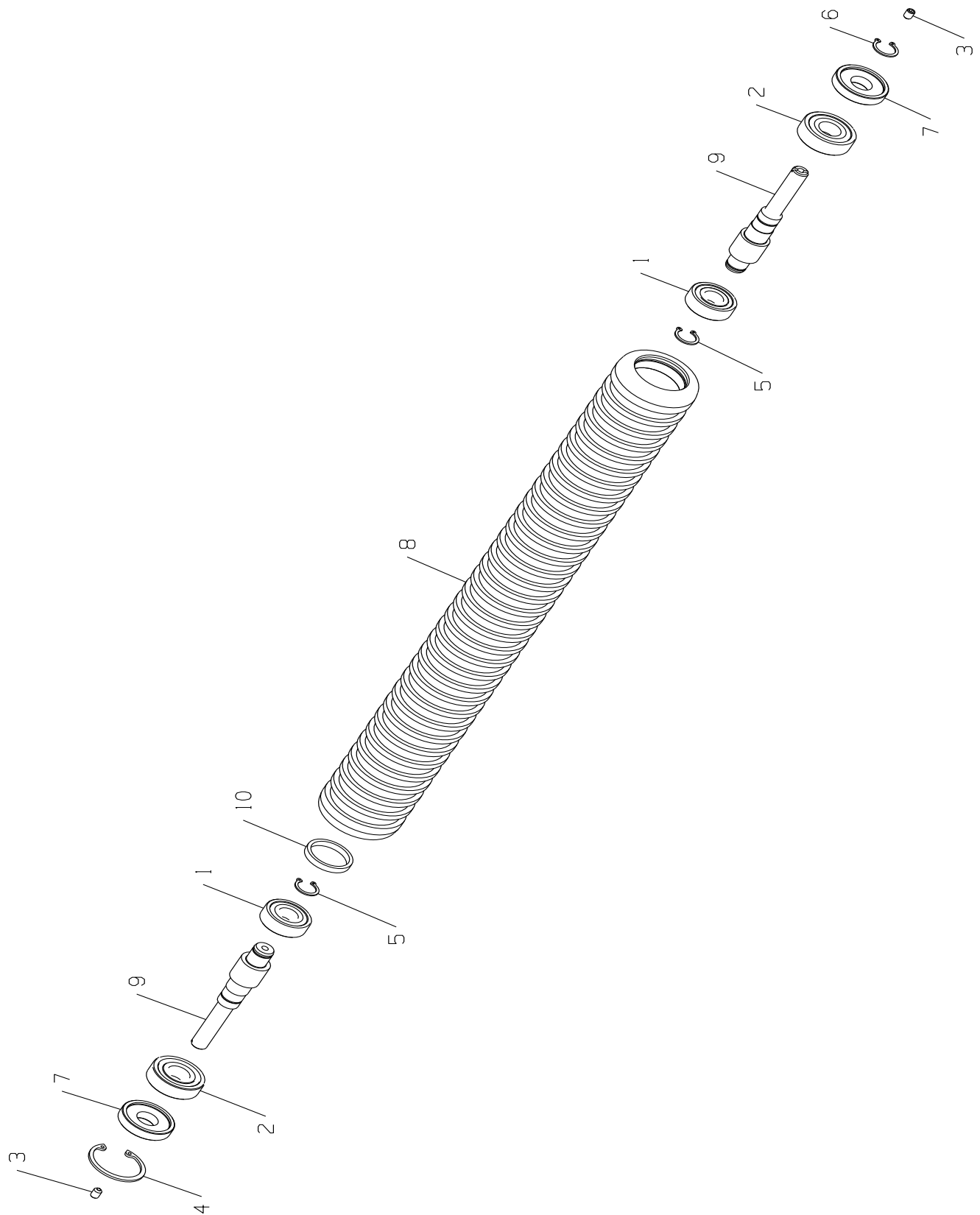


SMALL PEDESTRIAN MOWERS

ITEM	PART NO.	DESCRIPTION	QTY.	REMARKS
	<b>LMSE152</b>	<b>Asm-Steel Front Roll</b>	<b>1</b>	<b>For Marquis 51</b>
1	001799230	• Circlip-Ext 15 x 1 T	2	
2	002036023	• Brg-Ball 15 x 35 x 11	2	
3	002219120	• Quad Ring 13.95 ID x 2.62 Sect	2	
4	451965	• Circlip-Int 35 x 1.5 T	2	
5	640001084	• O-Ring 2.109 ID x .139 Sect	2	
6	MBE1471C	• Roll End	2	
7	MBG6504	• Roll Tube-63.5 x 494.4	1	
8	MBG6506	• Shaft-51 Marquis Steel Roll	1	
	<b>LMSE153</b>	<b>Asm-Steel Front Roll</b>	<b>1</b>	<b>For Marquis 61</b>
1	001799230	• Circlip-Ext 15 x 1 T	2	
2	002036023	• Brg-Ball 15 x 35 x 11	2	
3	002219120	• Quad Ring 13.95 ID x 2.62 Sect	2	
4	451965	• Circlip-Int 35 x 1.5 T	2	
5	640001084	• O-Ring 2.109 ID x .139 Sect	2	
6	MBE1471C	• Roll End	2	
7	MBG6505	• Roll Tube-63.5 x 596.4	1	
8	MBG6507	• Shaft-61 Marquis Steel Roll	1	

# SMALL PEDESTRIAN MOWERS

## 11b GROOVED FRONT ROLL



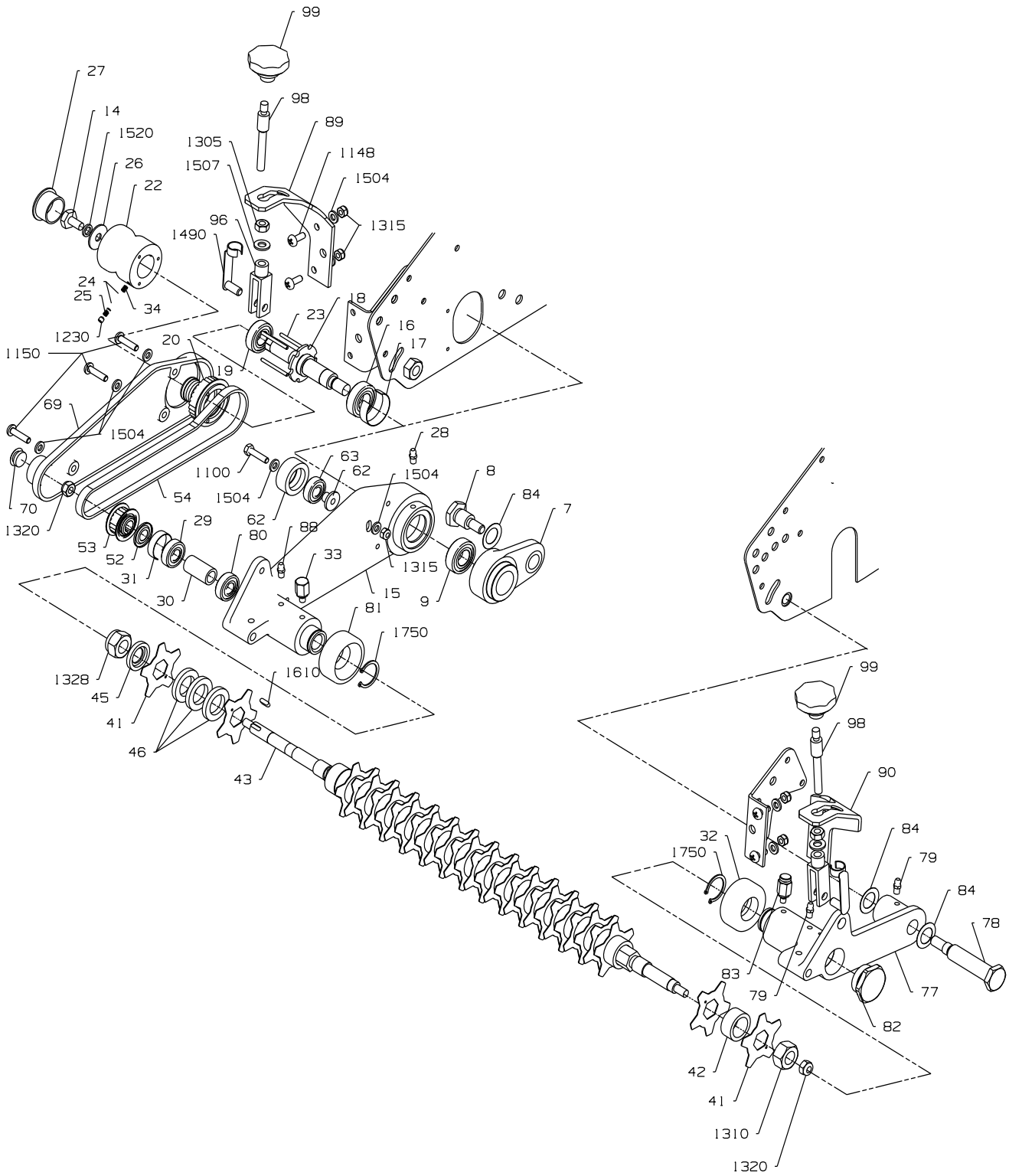


SMALL PEDESTRIAN MOWERS

ITEM	PART NO.	DESCRIPTION	QTY.	REMARKS
	<b>LMSE149</b>	<b>Asm-Grooved Front Roll, 51cm</b>	<b>1</b>	<b>For Super Bowl &amp; Super Certes 51</b>
1	002036023	• Brg-Ball 15 x 35 x 11	2	
2	002036031	• Brg-Ball 17 x 40 x 12	2	
3	450959	• Scrw-Set M6 x 8, Cup Pnt	2	
4	451970	• Circlip-Int 40 x 1.75 T	1	
5	452040	• Circlip-Ext 15 x 1 T	2	
6	452041	• Circlip-Ext 16 x 1 T	1	
7	MBF1294	• End Cap-Front Roll	2	
8	MBG6454	• Roll Tube-51cm Grooved	1	
9	MBG6463	• Shaft-Front Roll	2	
10	MBG6474	• Spacer-29 x 35 x 5	1	
	<b>LMSE150</b>	<b>Asm-Grooved Front Roll, 61cm</b>	<b>1</b>	<b>For Super Certes 61</b>
1	002036023	• Brg-Ball 15 x 35 x 11	2	
2	002036031	• Brg-Ball 17 x 40 x 12	2	
3	450959	• Scrw-Set M6 x 8, Cup Pnt	2	
4	451970	• Circlip-Int 40 x 1.75 T	1	
5	452040	• Circlip-Ext 15 x 1 T	2	
6	452041	• Circlip-Ext 16 x 1 T	1	
7	MBF1294	• End Cap-Front Roll	2	
8	MBG6455	• Roll Tube-61cm Grooved	1	
9	MBG6463	• Shaft-Front Roll	2	
10	MBG6474	• Spacer-29 x 35 x 5	1	

# SMALL PEDESTRIAN MOWERS

## 11c VERTI-GROOM KIT

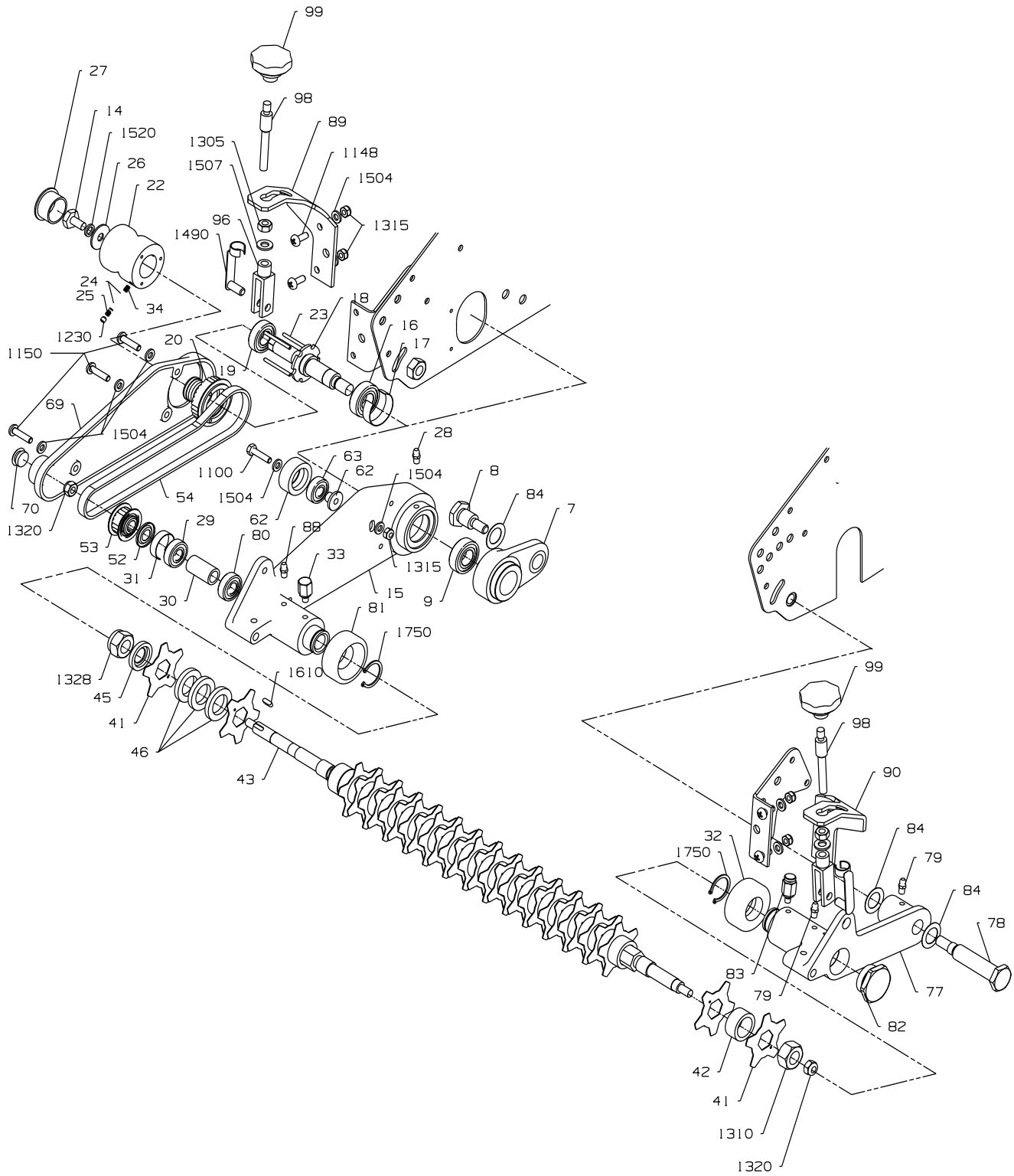


SMALL PEDESTRIAN MOWERS

ITEM	PART NO.	DESCRIPTION	QTY.	REMARKS
	LMAA937A	Verti-Groom Kit 51cm		
	LMAA937B	Verti-Groom Kit 61cm		
7	MBC9568	Bearing Housing.	1	
8	002039291	Brg-ball 17 X 35 X 10	1	
9	MBC9569	Pivot Bolt.	1	
14	MBE1137	Screw	1	
15	MBC9527	Drive Belt Housing.	1	
16	002039291	Brg-ball 17 X 35 X 10	1	
17	002925022	Tolerance Ring	1	
18	MBE1120	Drive Disc.	1	
19	002039267	Brg-ball 15 X 32 X 9	1	
20	009175109	Pulley	1	
22	MBC9262A	Clutch Handwheel.	1	
23	MBE0992	Dowel Pin.	3	
24	459000014	Steel Balls	2	
25	002911059	Spring, 3.83 O/D X 7.8 Lg	1	
26	MBC9297	Wshr-8.5 X 26.5 X 1.6	1	
27	002952586	Plug (O28)	1	
28	002993013	Lubricator-m6 Str	2	
29	002039275	Brg-ball 12 X 28 X 8	2	
30	002960066	Spacer	1	
31	002925006	Tolerance Ring	1	
32	009133105	Wheel	1	
33	MBE0456	Stop	1	
34	002911114	Sprg-comp 3.83x0.63x5.5	1	
41	009202869	Groomer Blade	31	51cm
41	009202869	Groomer Blade	38	61cm
42	MBC9552	Spacer.	29	51cm
42	MBC9552	Spacer.	36	61cm
43	MBC9611A	Shaft 51cm 1		
43	MBC9530	Shaft 61cm	1	
45	MBC9346A	Collar.	1	
46	009042655	Spacer	3	
52	002289185	Nilos Ring.	1	
53	MBE3474	Pulley.	1	
54	004921120	Drive Belt	1	
61	MBC9627	Collar.	1	
62	MBC9695	Tensioner.	1	
63	824100472	Brg-ball 10 X 26 X 8	1	
69	MBC9528	Lid.	1	
70	002953273	Grommet	1	
71	009034646	Label	1	
77	MBC9577	Groomer Link. 1	1	

# SMALL PEDESTRIAN MOWERS

## 11c VERTI-GROOM KIT

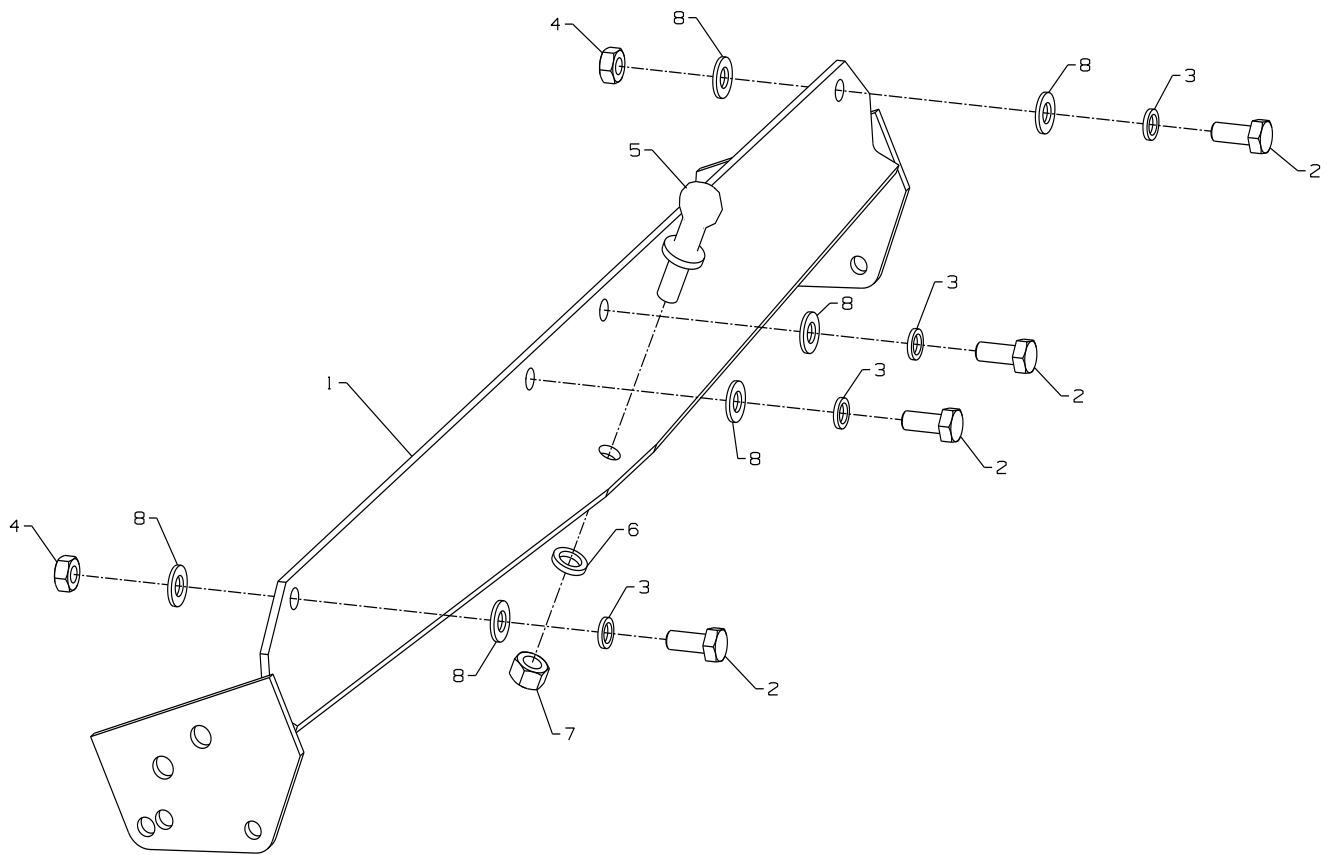


SMALL PEDESTRIAN MOWERS

ITEM	PART NO.	DESCRIPTION	QTY.	REMARKS
78	MBE1484	Pivot Pin.	1	
79	002993013	Lubricator-m6 Str	2	
80	002039275	Brg-ball 12 X 28 X 8	1	
81	009133105	Wheel	1	
82	MBC9544	Plug.	1	
83	MBE0455	Locking Pin.	1	
84	002922935	Sprg-disc 17.3 X 27.7 X 0.4	3	
89	MBC9555	Groomer Brkt. RH	1	
90	MBC9556	Groomer Brkt. LH	1	
96	001949047	Clevis, M8	2	
98	MBC9613A	Stud Adaptor.	2	
99	002990293	Plastic Star Knob-m8 X 40	2	
*	LMSE149	Grooved Roller Assy. (51cm)	1	
*	LMSE150	Grooved Roller Assy. (61cm)	1	
1100	450172	Scrw-hex M6 X 25	1	
1148	450541	Scrw-pan Hd M6 X 16	4	
1150	450543	Scrw-pan Hd M6 X 25	3	
1230	450950	Scrw-set M5 X 6, Cup Pnt	1	
1305	450324	Nut-hex M8	2	
1310	450327	Nut-hex M16	1	
1315	450377	Nut-hex M6 Nyloc	5	
1320	450378	Nut-hex M8 Nyloc	2	
1325	450382	Nut-hex M16 Nyloc	1	
1490	001490666	Spring Clip	2	
1504	450389	Wshr-m6 X 12.5 X 1.8	9	
1505	450389	Wshr-m6 X 12.5 X 1.8	0	
1507	450390	Wshr-m8 X 17 X 1.8	3	
1520	450411	Lockwshr-m8 X 12.75 X 2	1	
1610	452145	Key-4 X 4 X 12	1	
1750	452050	Circlip-ext 25 X 1.2 T	2	

# SMALL PEDESTRIAN MOWERS

## 11d TOW BAR (61 MARQUIS ONLY)

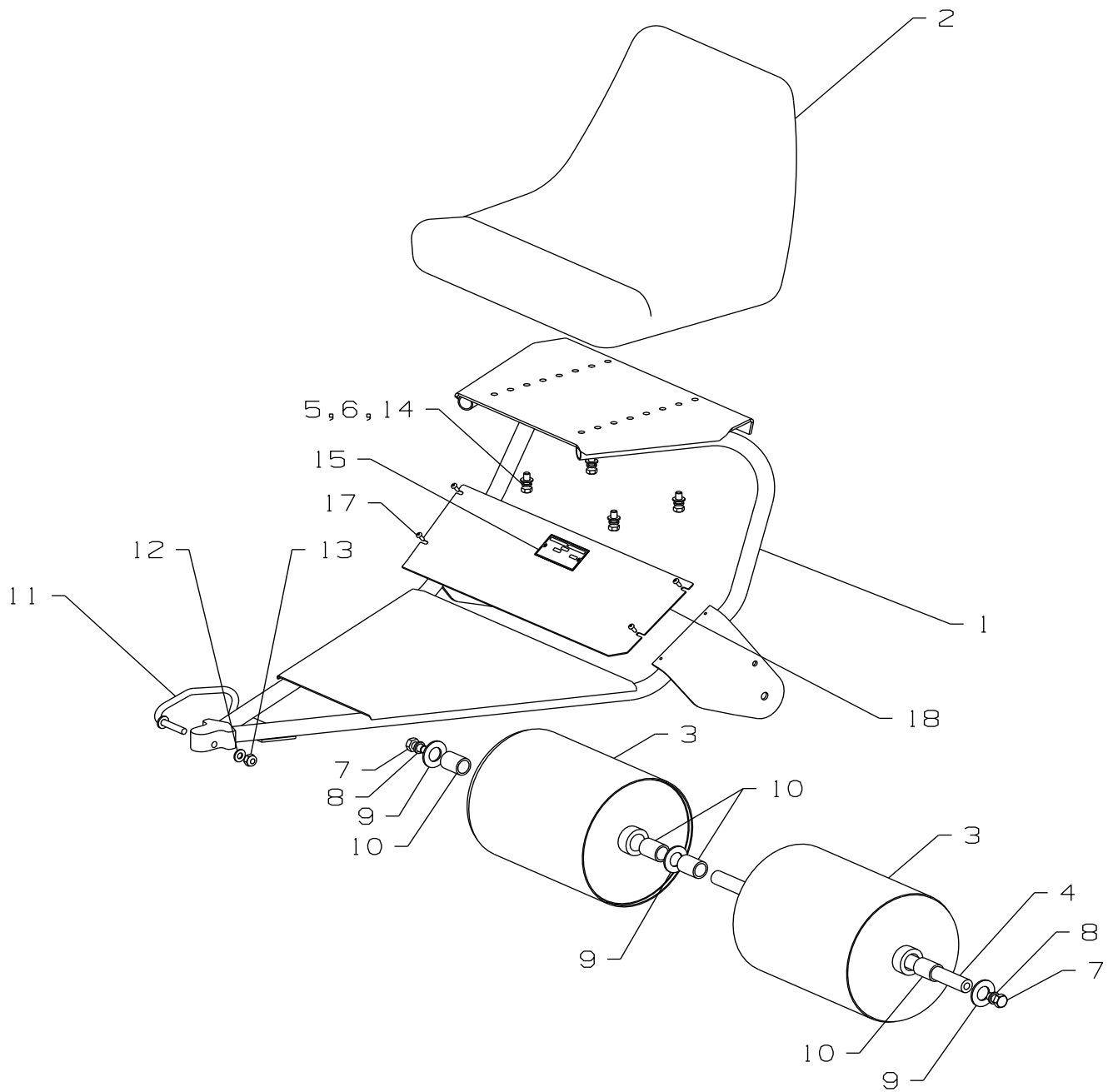


## SMALL PEDESTRIAN MOWERS

ITEM	PART NO.	DESCRIPTION	QTY.	REMARKS
1	MBF2274	TOW BAR BRACKET-61 MARQ	1	
2	450191	SCREW-HEX M8 x 20	4	
3	450411	LOCKWSHR-M8 x 12.75 x 2	4	
4	450324	NUT-HEX M8	2	
5	MBC8043	BALL JOINT	1	
6	450412	LOCKWSHR-M10 x 15.9 x 2.5	1	
7	450020087	NUT-HEX 3/8-24	1	
8	450390	WSHR-M8 x 17 x 1.8	6	

# SMALL PEDESTRIAN MOWERS

## 11e TRAILING SEAT (61 MARQUIS ONLY)





## SMALL PEDESTRIAN MOWERS

ITEM	PART NO.	DESCRIPTION	QTY.	REMARKS
1	MBC5881C	Seat Frame.	1	
2	BAM8104	Seat Assy	1	
3	MBA5360	Land Roll	2	
4	MBA5364	Spindle	1	
5	GSF2164J	Lockwshr-3/8 X .590 X .092	4	
6	GSF2093EF	Scrw-hex 3/8-16 X 1	4	
7	GSF2002JE	Scrw-hex 1/2-20 X 7/8	2	
8	GSF2164L	Lockwshr-1/2 X .763 X .116	2	
9	GSF2154UD	Wshr-15/16 X 1-3/4 X .104	3	
10	GSF3002TR	Bush-oilite 7/8 X 1-1/8 X 1-1/2	4	
11	MBC5869	Pin - Fabrication.	1	
12	450391	Wshr-m10 X 21 X 2.2	1	
13	450379	Nut-hex M10 Nyloc	1	
14	GSF2150E	Wshr-3/8 X 3/4 X .072	4	
15	MBG5007	Name Plate	1	
16	001496052	Rivet-pop 1/8 X 5/16	2	
17	451144	Scrw-pan Hd #10 X 13	4	
18	MBC5887A	Guard	1	
19	MBC7776	Anti Slip Strip	1	
20	MBC7777	Anti Slip Strip	1	







Ransomes Jacobsen Limited  
West Road, Ransomes Europark, Ipswich, England,  
IP3 9TT  
English Company Registration No. 1070731  
[www.ransomesjacobsen.com](http://www.ransomesjacobsen.com)

Jacobsen, A Textron Company  
11108 Quality Drive, Charlotte,  
NC 28273, USA  
[www.Jacobsen.com](http://www.Jacobsen.com)