

Parts Manual

RANSOMES Hydraulic 214

Series: LH, LJ, LK, LM

Product codes: LKCB104, LKCB105, LKCB106, LKCB120
LKCB204, LKCB205, LKCB206, LKCB220



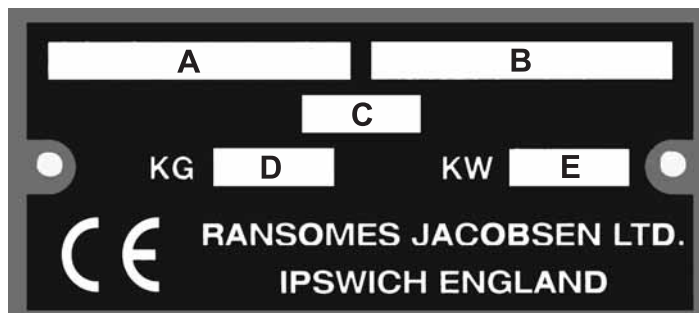
WARNING: If incorrectly used this machine can cause severe injury. Those who use and maintain this machine should be trained in its proper use, warned of its dangers and should read the entire manual before attempting to set up, operate, adjust or service the machine.



DESCRIPTION	PARTS
PRODUCT IDENTIFICATION	2
SERVICE PARTS	3
HOW TO USE THE PARTS MANUAL	4
GUIDELINES FOR THE DISPOSAL OF SCRAP PRODUCTS	5
DURING SERVICE LIFE	5
END OF SERVICE LIFE	5
1 MAGNA MAIN FRAME	6
2 MAGNA ROLL & SKIDS	10
3 VERTICUT FRAME & REEL.....	14
4 VERTICUT ROLL & SKIDS	16
5 CUTTING UNIT DRIVE.....	18
6 HYDRAULIC MOTOR.....	20
7 MAIN FRAME	22
8 CONTROL VALVE and MOUNTING	26
9 GEARBOX & PUMP MOUNTING.....	30
10 PUMP / GEARBOX ASSEMBLY	36
11 HYDRAULIC CIRCUIT.....	38
12 DECALS	42

INTRODUCTION

PRODUCT IDENTIFICATION



- A Machine Name
- B Serial Number
- C Year of Manufacture
- D Machine Weight
- E Engine Power

SPARES STOCKING GUIDE

To keep your equipment fully operational and productive, Ransomes suggests you maintain a stock of the more commonly used maintenance items. We have included part numbers for the additional support materials and training aids.

SERVICE SUPPORT MATERIAL			
Part No.	Description	Part No.	Description

HOW TO USE THE PARTS MANUAL

ITEM NUMBER

Each part which is identified in the illustrations has an item number. Parts which do not have an item number may not be readily identified in the illustration but are usually closely associated with the immediately adjacent part.

ASSEMBLIES

A complete assembly, e.g. a wheel motor or hydraulic motor or roll assembly, is listed as a complete item with subsequent individual components listed separately.

The assembly is listed under its part number with component parts being listed offset to the right, e.g.:-

ITEM	PART NO.	DESCRIPTION	QTY	REMARKS
4295	MBG2504	Bracket	1	
4296	MBG3848	Latch	2	
4298	450865	Screw, M8 X 20, Sckt Csk Hd	2	
4300	450378	Nut, M8 Nyloc	2	
4301	WI001	Set Of Wheels	1	
4301.1	008162130	• Wheel & Hub Assy	1	(Rear)
4301.2	008170390	•• Tyre	1	
4301.3	008161830	•• Rim	1	
4301.4	008169140	•• Hub Assy.	1	
4301.5	008169150	•• Cap	1	
4301.6	002993010	•• Lubricator	1	
4301.7	008161990	• Wheel & Tyre	2	(Front)
4301.8	008170780	•• Tyre	2	

It may not be possible to illustrate every item. With certain items purchased from outside suppliers some component parts may not be available from Ransomes and may need to be specially ordered from the supplier.

QUANTITIES

Quantities shown are for one assembly or sub-assembly.

USING THE PARTS LIST

Determine the function and application of the part required. Turn to the main index page and select the appropriate section. Locate the part on the illustration and parts list and read off the quantity from the appropriate MODEL column.

NUMERICAL INDEX

This is a summary of all part numbers used in the manual arranged in numerical sequence and showing the page and item number under which the parts appear.

ORDERING OF SPARE PARTS

When ordering replacement parts, it is most important to quote the SERIAL NUMBER of the machine, PART NUMBER, DESCRIPTION and QUANTITY required.

Any arbitrary modifications carried out on this machine may relieve the manufacturer of liability for any resulting damage or injury.

ABBREVIATIONS

N/A Not Available

ARAs Required

GUIDELINES FOR THE DISPOSAL OF SCRAP PRODUCTS

DURING SERVICE LIFE

Used oil, oil filters and engine coolant are hazardous materials and should be handled in a safe and environmentally responsible way.

In the event of a fluid leak, contain the spill to prevent it entering the ground or drainage system. Local legislation will dictate how such spills are to be treated.

Following the maintenance procedures laid out in this manual will ensure that the impact the machine has on the local environment is controlled.

When it has been identified that a turf care product has no further functional value and requires disposal, the following actions should be taken.

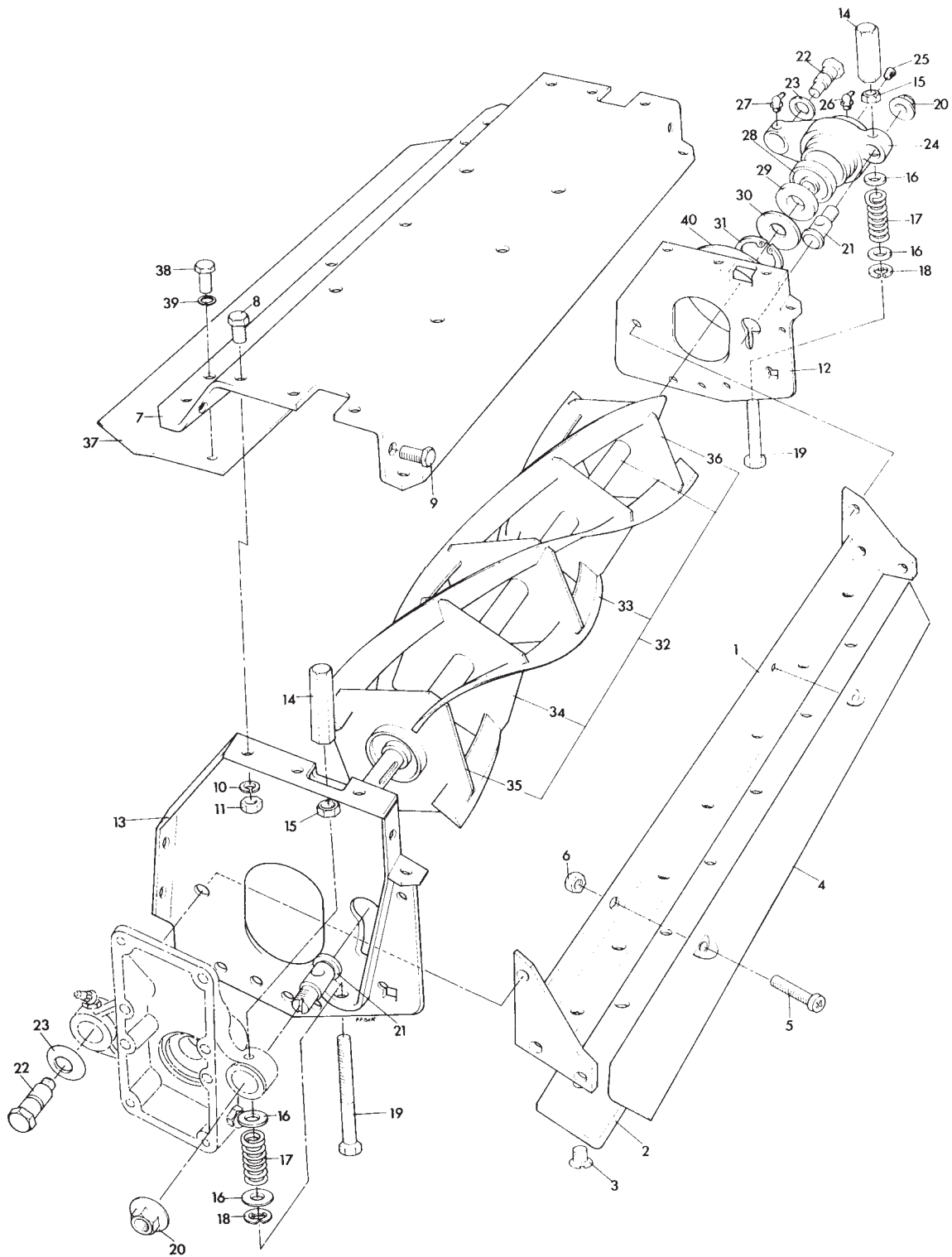
END OF SERVICE LIFE

These guidelines should be used in conjunction with applicable Health, Safety and Environmental legislation and use of approved local facilities for waste disposal and recycling.

- Position the machine in a suitable location for any necessary lifting equipment to be used.
- Use appropriate tools and Personal Protective Equipment (PPE) and take guidance from the technical manuals applicable to the machine.
- Remove and store appropriately:
 1. Batteries
 2. Fuel residue
 3. Engine coolant
 4. Oils
- Disassemble the structure of the machine referring to the technical manuals where appropriate. Special attention should be made for dealing with 'stored energy' within pressurised elements of the machine or tensioned springs.
- Any items that still have a useful service life as second hand components or can be re-serviced should be separated and returned to the relevant centre.
- Other worn out items should be separated into material groups for recycling and disposal consistent with available facilities. More common separation types are as follows:
 - Steel
 - Non ferrous metals
 - Aluminium
 - Brass
 - Copper
 - Plastics
 - Identifiable
 - Recyclable
 - Non recyclable
 - Not identified
 - Rubber
 - Electrical & Electronic Components
- Items that cannot be separated economically into different material groups should be added to the 'General waste' area.
- Do not incinerate waste.

Finally update machinery records to indicate that the machine has been taken out of service and scrapped. Provide this serial number to Ransomes Jacobsen Warranty department to close off relevant records.

MAGNA MAIN FRAME

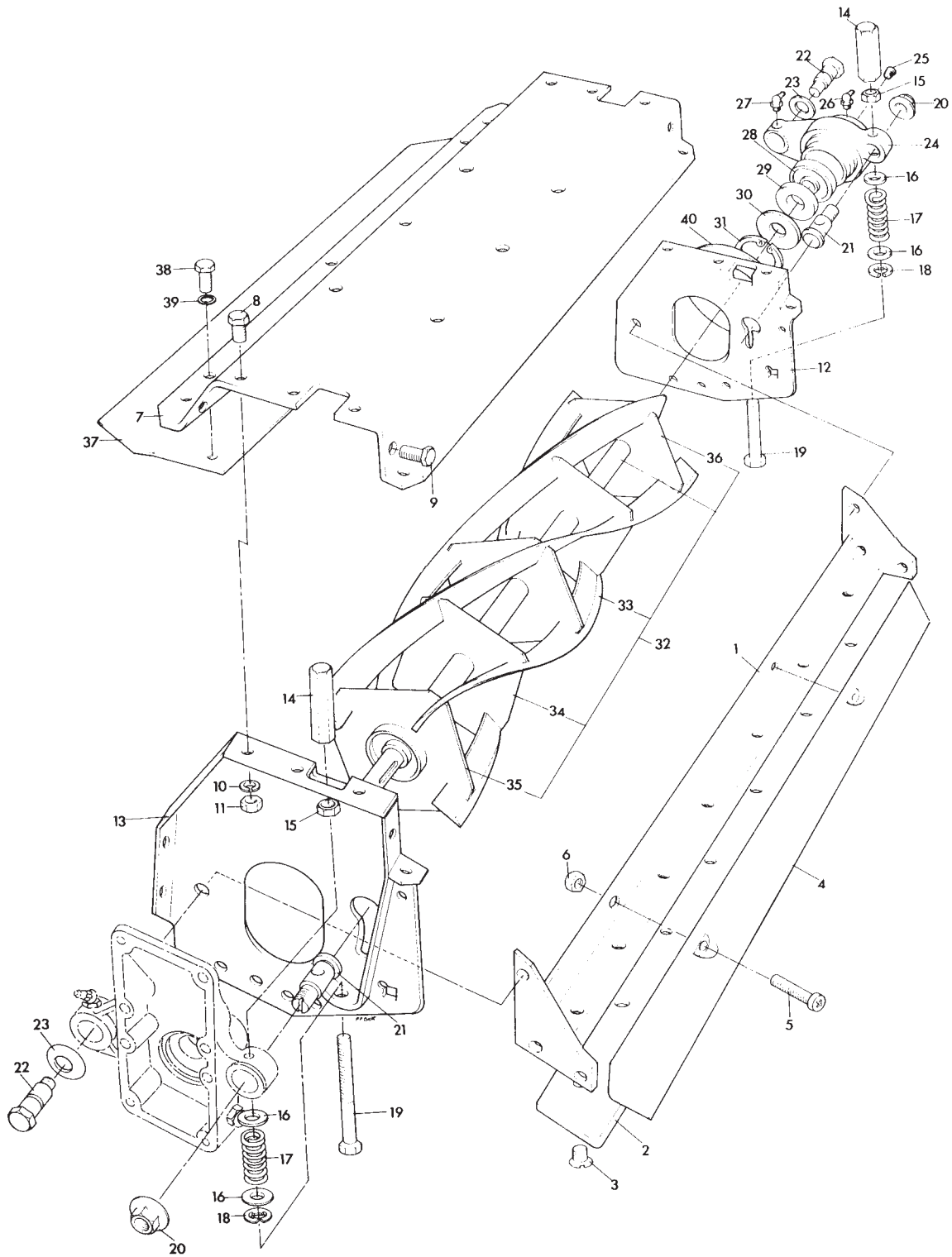


RANSOMES HYDRAULIC 214 Series: LH,LJ,LK,LM

ITEM	PART NO.	DESCRIPTION	QTY.	REMARKS
1	LMAA382	Bottom Block Assy	1	
2	MBA7024A	• Bottom Blade	1	
3	A119000	• Screw	7	
4	MBB2469	• Fillet	1	
5	450543	• Screw M6 X 25	2	
6	450323	• Nut M6	2	
7	MBB6827A	Top Deck	1	
8	450214	Screw M10 x 25	10	
9	450216	Screw M10 X 35	2	
10	450412	S.L.Washer M10	12	
11	450325	Nut M10	12	
12	MBB6829A	Frame Side Plate	1	
13	MBB6828A	Frame Side Plate	1	
14	MBB6839	Adjuster	2	
15	450325	Nut M10	2	
16	450391	Washer 10mm	6	
17	A291006	Spring	2	
18	GSF1057BH	Circlip	2	
19	MBB2559	Adjusting Screw	2	
20	452438	Stiffnut M12	2	
21	MBC5941	Clamp Pivot	2	
22	MBB6837	Pivot Bolt	2	
23	H083025	Disc Spring	2	
24	LMSD671B	Cyl.Housing Assy	1	(RH Drive)
*	LMSD672B	Cyl.Housing Assy	1	(LH Drive)
25	GSF2510C	Plug	1	
26	A299306	Lubricator	1	
27	A299301	Lubricator	1	
28	A203605	Ball Bearing	1	
29	A229401	Felt Seal	1	
30	MBB2571	Seal Washer	2	
31	451982	Circlip	2	
32	MBC8330C	Cutting Cylinder 4 Knife	1	
*	MBC8329C	Cutting Cylinder 6 Knife	1	
33	N/A	• Spiral Cutter		
34	N/A	• Collar		
35	N/A	• Dust Cover		
36	N/A	• Dust Cover		
37	MBC0754	Deflector (Front & Wing)	1	
*	MBC3565	Deflector (Centre)	1	
38	GSF2002CD	Screw	3	
39	450411	S.L.Washer 8mm	3	
40	A912006	Guard	1	

* Not Illustrated

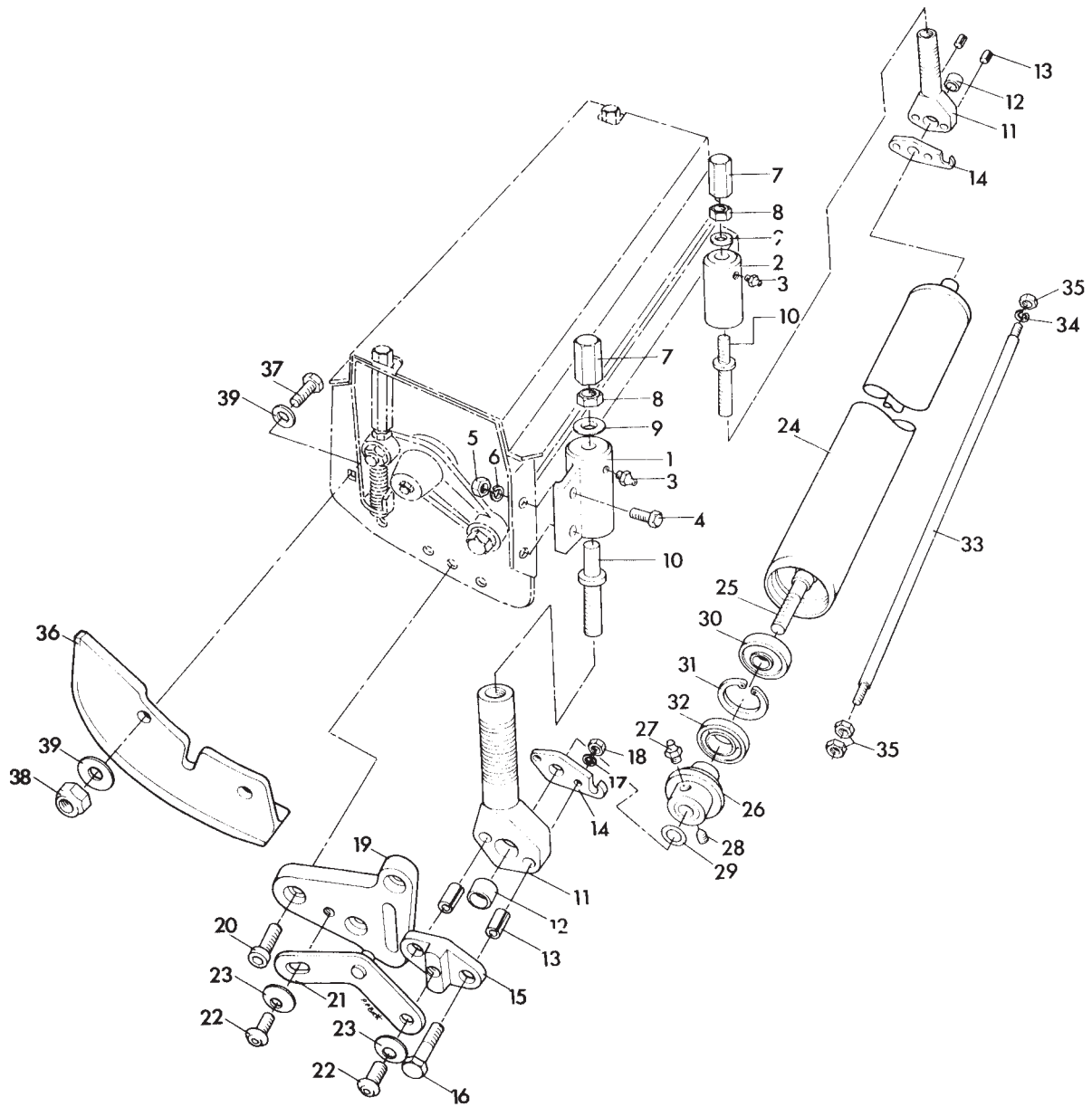
MAGNA MAIN FRAME



RANSOMES HYDRAULIC 214 Series: LH,LJ,LK,LM

ITEM	PART NO.	DESCRIPTION	QTY.	REMARKS
*	A903494	Label - Danger	1	Cylinder Hazard
*	A903468	Label - +<->-	4	

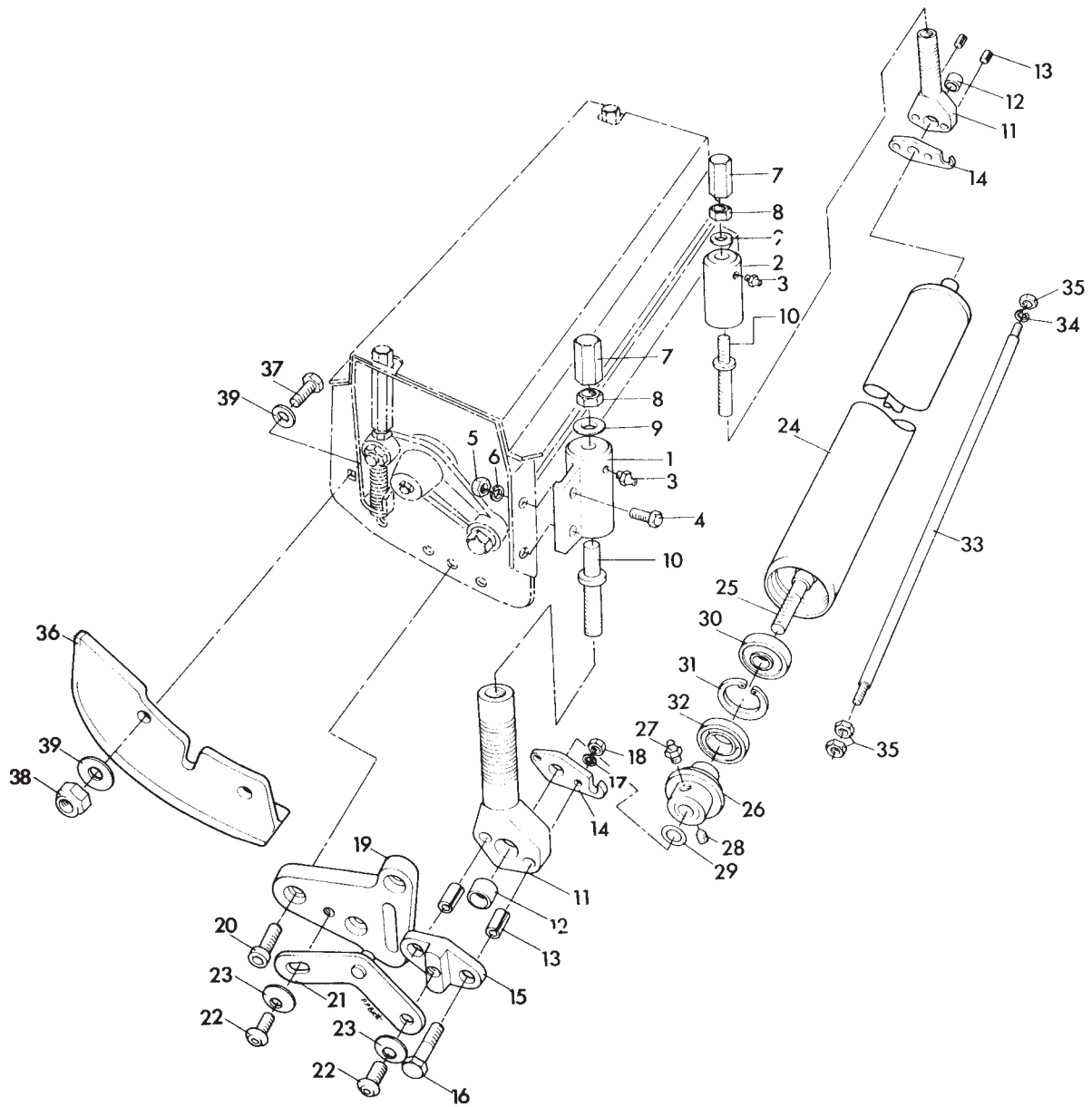
MAGNA ROLL & SKIDS



RANSOMES HYDRAULIC 214 Series: LH,LJ,LK,LM

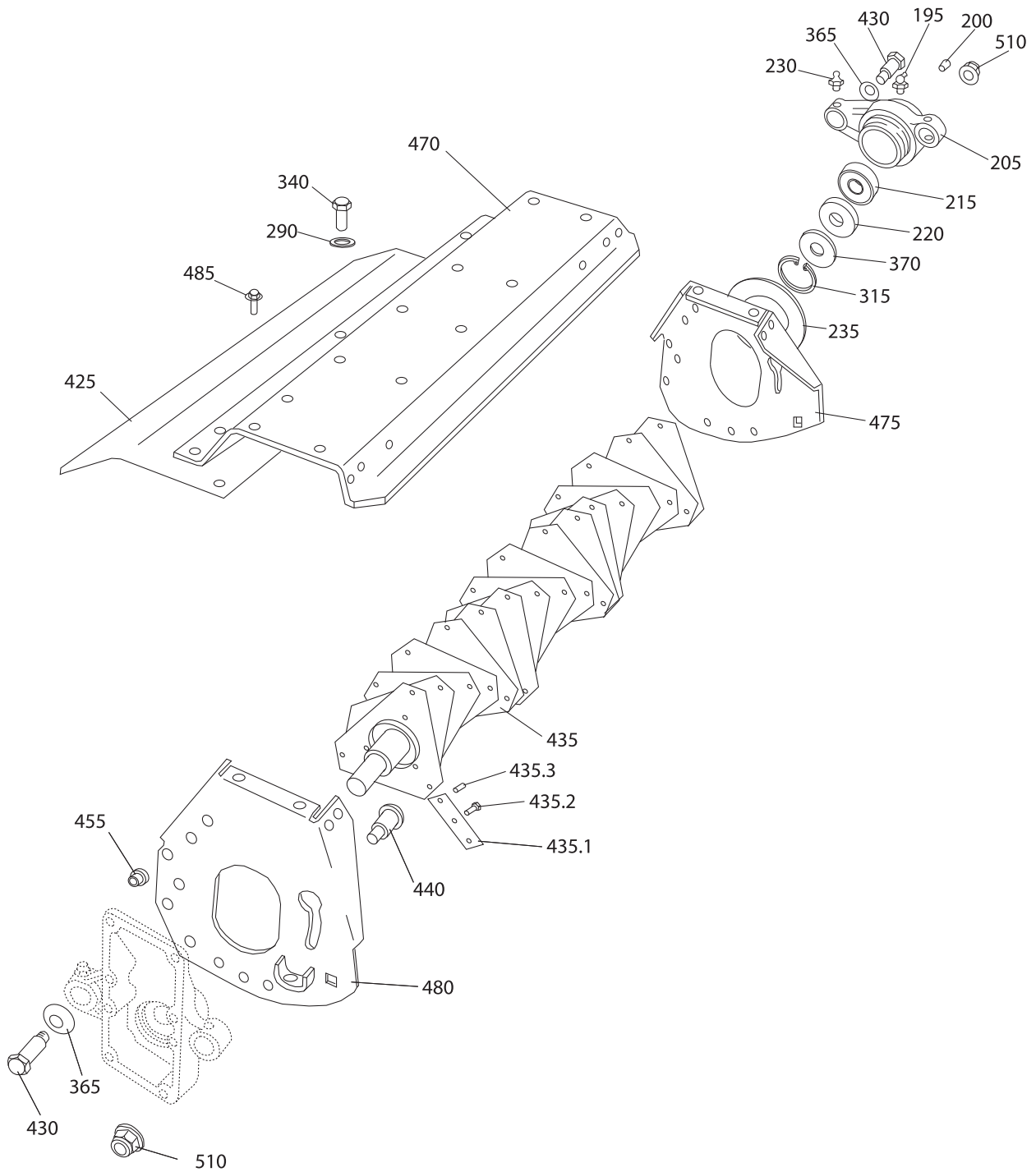
ITEM	PART NO.	DESCRIPTION	QTY.	REMARKS
1	MBB6818	Outer Sleeve LH	1	
2	MBB6817	Outer Sleeve RH	1	
3	002993013	Lubricator	2	
4	001104062	Screw M10 x 30	4	
5	001300104	Nut M10	4	
6	001510101	S.L.Washer 10mm	4	
7	MBB2580	Adjuster	2	
8	001300104	Nut M10	2	
9	461901653	Disc Spring	2	H083026
10	MBB2579	Adjusting Screw	2	
11	MBC1824	Skid Mounting Assembly	2	
12	MBB2587	Bush	2	
13	001415476	Dowel	4	
14	MBB2365K	Plate	2	
15	MBB9663	Plate	2	
16	001002087	Bolt M6 x 40	4	
17	001510062	S.L.Washer 6mm	4	
18	001300065	Nut M6	4	
19	MBB9657	Plate LH	1	
*	MBB9658	Plate RH	1	
20	456090288	Screw	4	GSF2015CF
21	MBB9664	Lever LH	1	
*	MBB9667	Lever RH	1	
22	001290060	Screw M10 x 20	4	
23	002920802	Disc Spring	4	
	LMAA356	Rear Roll Assembly	1	
24	MBB6764	• Roll Tube	1	
25	MBB6766	• Spindle	1	
26	MBB6762	• Boss	2	
27	002993013	• Lubricator	2	
28	001222930	• Grubscrew	2	
29	002211144	• O Ring	2	
30	002032037	• Bearing	2	
*	002202008	• Oil Seal	2	
31	001700403	• Circlip	2	
32	002202503	• Oil Seal	2	
33	MBC1823	Scraper	1	
34	001510088	S.L.Washer 8mm	3	
35	001300081	Nut M8	1	
*	001500085	Washer 8mm	3	
36	MBC2445	Skid	2	
37	001103051	Screw M8 x 25	4	
*	001103069	Screw M8 x 30	2	

MAGNA ROLL & SKIDS



ITEM	PART NO.	DESCRIPTION	QTY.	REMARKS
38	001332082	Stiffnut M8	6	
39	481000005	Washer	8	AE22003
		ALTERNATIVE FITTINGS		
*		Narrow Skid Kit		
*	MBC3627	Skid RH	1	
*	MBC3628	Skid LH	1	
*	001103043	Screw M8 x 20	6	
*	001510088	S.L.Washer 8mm	6	
*	001500085	Washer 8mm	6	

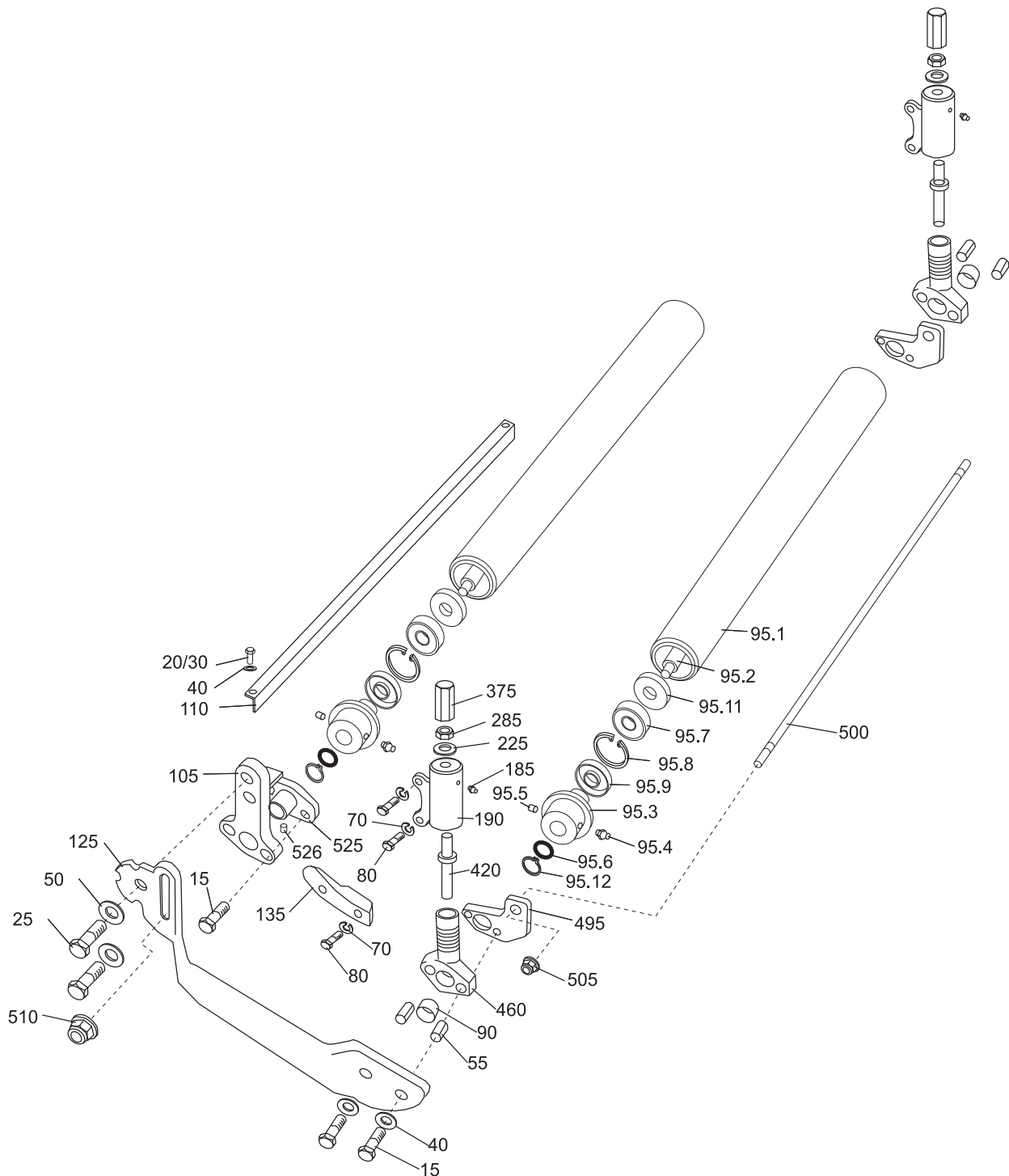
VERTICUT FRAME & REEL



RANSOMES HYDRAULIC 214 Series: LH,LJ,LK,LM

ITEM	PART NO.	DESCRIPTION	QTY.	REMARKS
195	002993063	Lubricator-M6 X 45 Deg	1	
200	459004157	Plug-3/8 Bspt	1	
205	MBB2555E.6	Cylinder Housing Rh	1	
215	002036057	Brg-ball 25 X 52 X 15	2	
220	002294015	Felt Seal	2	
230	002993013	Lubricator-M6 Str	2	
235	009120065	Guard	1	
315	451982	Circlip-int 52 X 2 T	4	
340	456010200	Scrw-hex 5/16-24 X 3/4	3	
365	461901645	Sprg-disc .755 X 1.5 X .045	2	
370	469023708	Cup	2	MBB2571
425	MBB3567.6	Deflector, Front	1	
430	MBB6837	Bolt, Pivot	2	
435	MBC3626.7	Reel, Verticut	1	
435.1	009200380	• Blade	54	
435.2	450210	• Screw M10 x 12	54	
435.3	451727	• Tension Pin	54	
435.4*	450412	• S.L.Washer M10	54	
440	MBC4591	Clamp Bolt.	2	
455	001993046	Insert-helicoil 5/8-11 X 1-1/2d	2	
470	MBB9785A.6	Deck, Top	1	
475	MBB2540B.6	Plate, Side	1	
480	MBB2543C.6	Side Plate B	1	
485	450477	Scrw-hex M10 X 20	1	Verbus Ripp
510	452438	Nut-hex M12 Flng Nyloc	4	
520*	009034680	Decal (+ <-> -)	4	

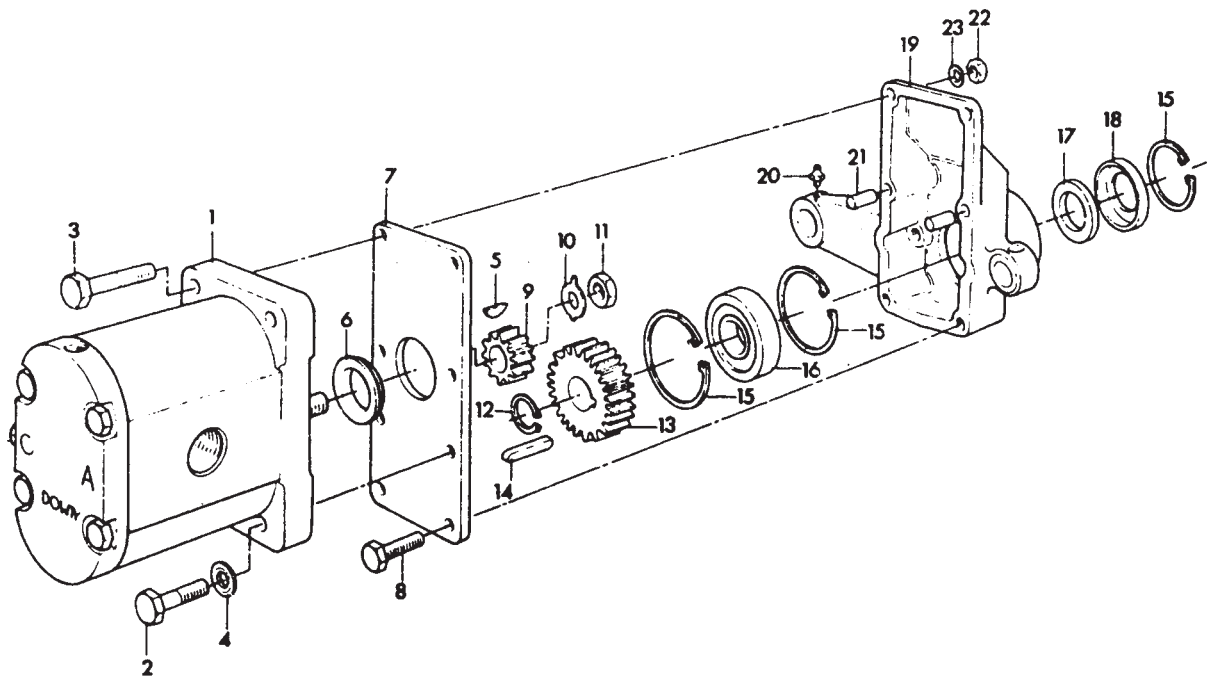
VERTICUT ROLL & SKIDS



RANSOMES HYDRAULIC 214 Series: LH,LJ,LK,LM

ITEM	PART NO.	DESCRIPTION	QTY.	REMARKS
15	450005	Bolt-Hex M6 X 50	8	
20	450171	Screw-Hex M6 X 20	2	
25	450241	Screw-Hex M12 X 30	4	
30	450323	Nut-Hex M6	8	
40	450410	Lockwasher-M6 X 9.6 X 1.5	6	
50	450413	Lockwasher-M12 X 17.9 X 2.5	4	
55	451764	Pin-Tension 12 X 30	4	
70	452200087	Lockwasher-3/8 X .590 X .092	8	
80	456010331	Scr-Hex 3/8-24 X 3/4	8	
90	649004633	Bush	4	MBB2587
95	LMAA356	Roller, Front	2	
95.1	MBB6764D	• Roll Welded Assembly	1	
95.2	MBB6766B	• Spindle, Front Roller	1	
95.3	MBB6762C	• Boss	2	
95.4	002993013	• Lubricator-M6 Str	2	
95.5	450959	• Screw-Set M6 X 8, Cup Pnt	2	
95.6	002211144	• O-Ring 15.54 Id X 2.62 Sect	2	
95.7	002032037	• Bearing-ball 17 X 40 X 12	2	
95.8	451970	• Circlip-int 40 X 1.75 T	2	
95.9	002202503	• Oil Seal 25 X 40 X 7	2	
95.11	002202008	• Oil Seal 20 X 35 X 7	2	
95.12	452041	• Circlip-ext 16 X 1 T	1	
105	MBB6747	Bracket, LH	1	
110	MBB6749	Scraper	1	
120	MBE0331	Support, RH Roll	1	
125	MBE0332	Support, LH Roll	1	
130	MBE0988	Pad, RH	1	
135	MBE0989	Pad, LH	1	
185	842000044	Lubricator-1/4" Str	2	
190	MBB2578	Outer Sleeve	2	
225	002921214	Spring-disc 12.3 X 34 X 1.25	2	
285	450325	Nut-Hex M10	2	
375	469023724	Adjuster	2	MBB2580A
420	MBB2579A	Screw	2	
460	MBC8145	Skid Mounting (Short)	2	
495	MBF0860	Bracket, Scraper	2	
500	009067410	Wire Scraper	1	
505	450378	Nut-hex M8 Nyloc	2	
525	MBE2983	Adapter	2	
526		Screw M8	2	

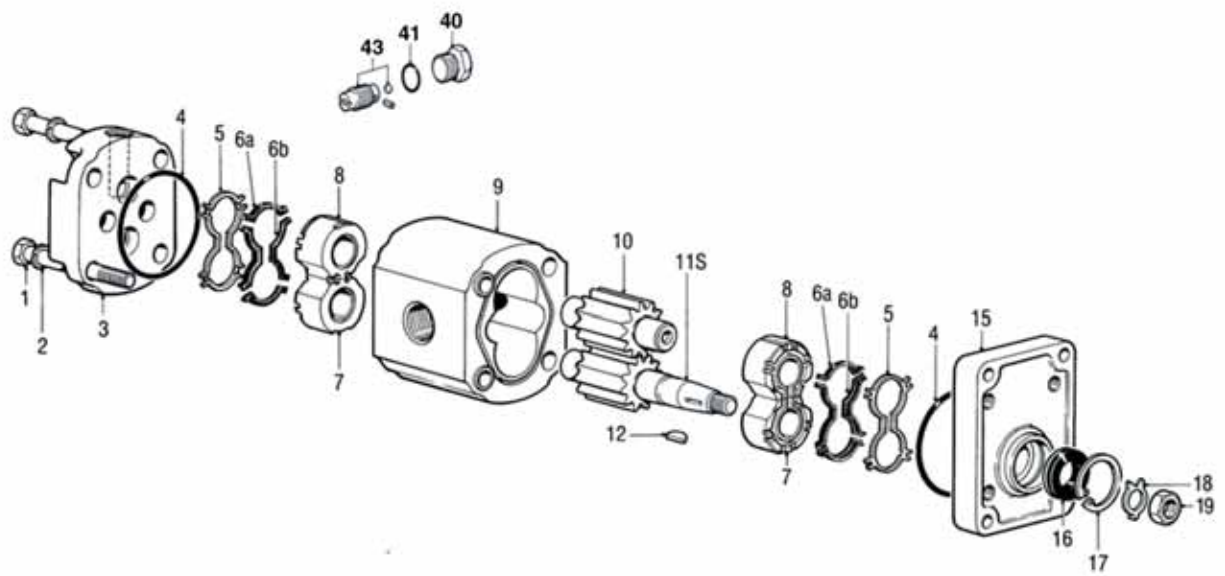
CUTTING UNIT DRIVE



RANSOMES HYDRAULIC 214 Series: LH,LJ,LK,LM

ITEM	PART NO.	DESCRIPTION	QTY.	REMARKS
1	008092049	Drive Motor LH	1	
*	008092031	Drive Motor RH	1	
2	451030120	Bolt	2	GSF2001AP
3	451030112	Bolt	2	GSF2001AK
4	870002994	Seal Washer	2	H014004
5	453100036	Key Woodruff	1	GSF2230AE
6	MBB2558	Motor Adaptor	1	
7	MBB2557	Motor Mounting Plate	1	
8	456010098	Screw	2	GSF2002AD
9	MBB2616	Drive Pinion	1	
10	930000350	Washer	1	H200038
11	450020118	Nut	1	GSF2051AD
12	461004205	Circlip	1	GSF1056BA
13	MBB2615	Gear	1	
14	453003317	Key	1	GSF2202ER
15	001700526	Circlip Int.Type	3	
16	002036057	Ball Bearing	1	
17	002294015	Felt Washer	1	
18	MBB2571	Seal Washer	1	
19	MBB2554H	Gearbox Housing (RH Drive)		
*	MBB2553H	Gearbox Housing (LH Drive)	1	
20	002993013	Lubricator	1	
21	049004106	Dowel	2	GSF1033ED
22	450020037	Nut	2	GSF2051AA
23	452200029	S.L.Washer	2	GSF2164G

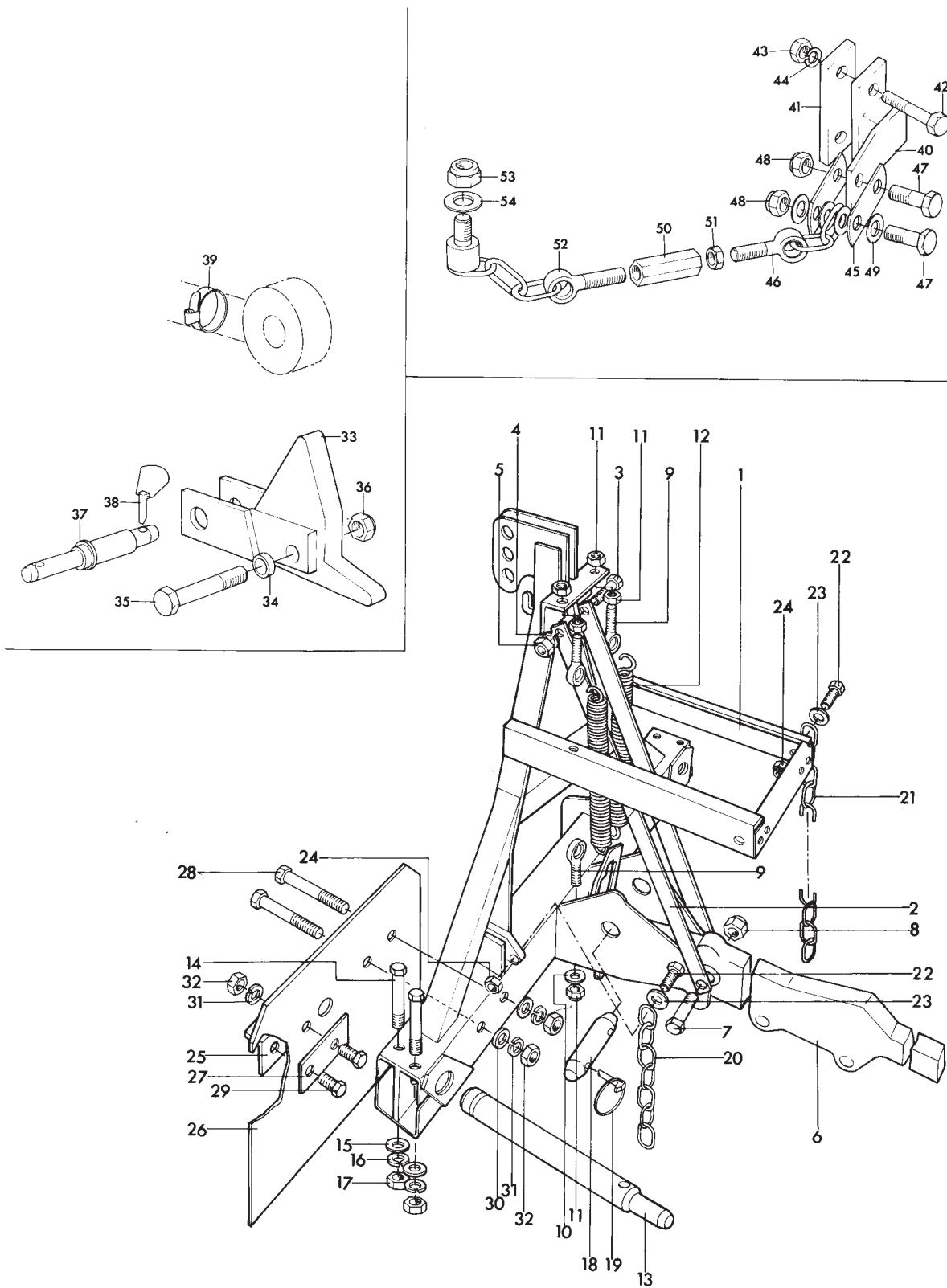
HYDRAULIC MOTOR



RANSOMES HYDRAULIC 214 Series: LH,LJ,LK,LM

ITEM	PART NO.	DESCRIPTION	QTY.	REMARKS
	008092049	Drive Motor LH	1	
	008092031	Drive Motor RH	1	
1	N/A	Bolt		
2	N/A	Lockwasher		
3	N/A	End Cover		
4		+ Body O Ring		
5		+ Back up Seal		
6a		+ Bush Seal		
6b		+ Bush Seal		
7	N/A	Bush		
8	N/A	Bush		
9	N/A	Body		
10	N/A	Driven Gear		
11s	N/A	Drive Shaft		
12	GSF2230AE	+ Woodruff Key		
15	N/A	Mounting Flange		
16	002299450	+ Shaft Seal		
17		+ Circlip		
18	H200038	Tab Washer		
19	GSF2051AD	Nut		
40	008092230	Plug		
41	008092240	O Ring		
42	008096140	Spring		
43	008096130	Non Return Valve		
+		Items Marked + Part of Seal Kit 008096158		

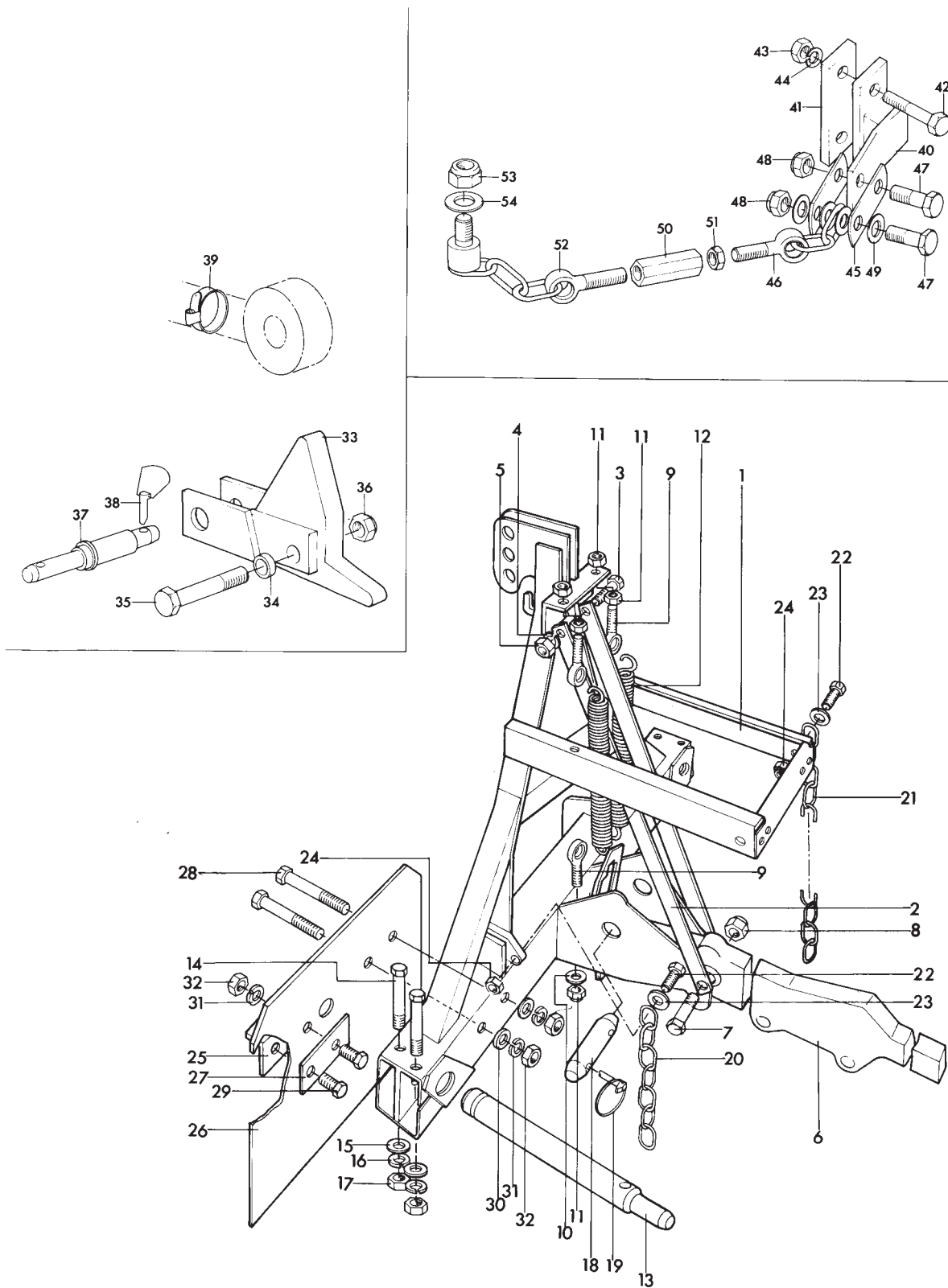
MAIN FRAME



RANSOMES HYDRAULIC 214 Series: LH,LJ,LK,LM

ITEM	PART NO.	DESCRIPTION	QTY.	REMARKS
1	MBC1589A	Main Frame	1	
2	MBB5O2S	Stay	2	
3	001005085	Bolt M12 x 40	1	
4	001511123	S.L.Washer 12mm	1	
5	001300120	Nut M12	1	
6	MBB6262A	Lever Assembly	1	
*	MBB6800A	Lever	1	
*	870020061	Bearing	1	H009122
*	MBB6799A	Lever	1	
*	MBB5019	Bush	1	
7	001007249	Bolt M20 x 120	1	
8	001332202	Nut M20	1	
9	MBB5O21	Eye Bolt	3	
10	001500108	Washer 10mm	1	
11	001300104	Nut M10	5	
12	002900555	Spring	2	
13	MBB6798C	Shaft	2	
14	001006146	Bolt M12 x 70	4	
15	001500166	Washer 12mm	4	
17	001332163	Nut M12	4	
18	MBB5030A	Pin	1	
19	469009279	Spring Pin	2	PSF3052
20	A298990AG	Chain	2	
21	A298990BB	Chain	1	
22	001103085	Screw M8 x 40	3	
23	481000005	Washer	3	AE22003
24	001332082	Stiffnut M8	3	
25	MBB5035	Angle Piece	2	
26	649005134	Mudguard Flap	2	MBB5037
27	MBB5089	Strip	2	
28	451810510	Bolt	4	MBB2559
29	001104057	Screw M10 x 25	4	
30	001500108	Washer 10mm	4	
31	001510101	S.L.Washer 10mm	8	
32	001300104	Nut Mic	8	
33	MBB9904	Mounting Link LH	1	
*	MBB9903	Mounting Link RH	1	
34	MBB9976	Collar	2	
35	001007223	Bolt M20 x 110	2	
36	001332202	Stiffnut M20	2	
37	MBB5029	Pin	2	
38	469009270	Spring Pin	2	PSF3052
39	001920291	Hose Clip (for Tractor Top Link)	1	

MAIN FRAME

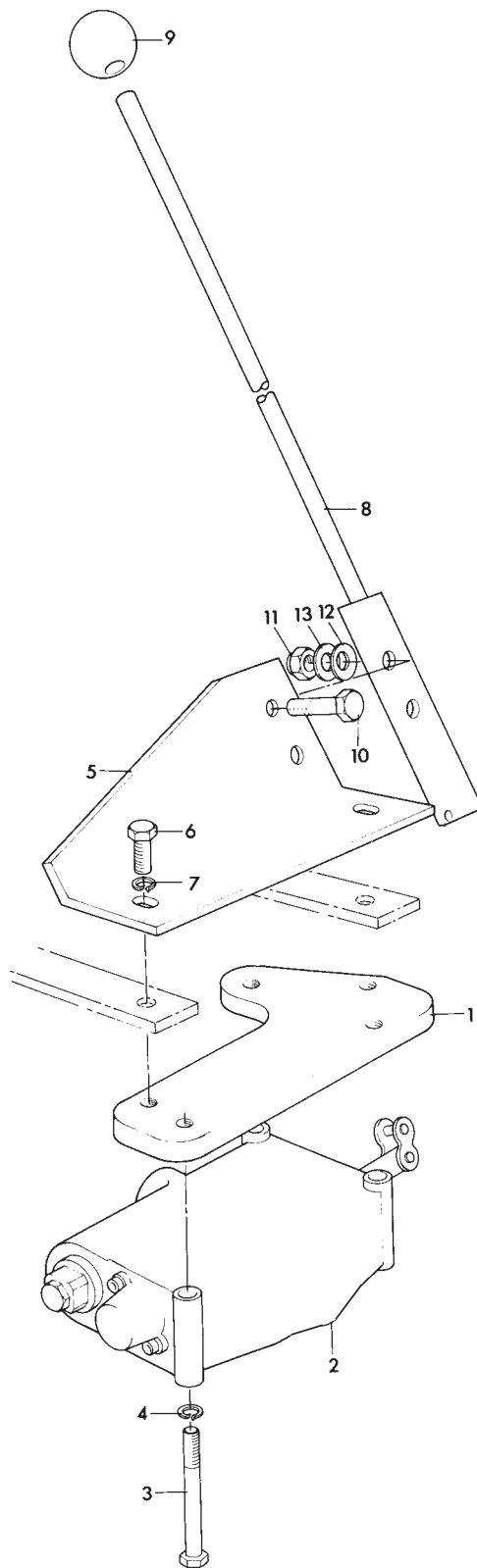


RANSOMES HYDRAULIC 214 Series: LH,LJ,LK,LM

ITEM	PART NO.	DESCRIPTION	QTY.	REMARKS
	LMAA435	Check Chain Assy	2	(Ford 333,334)
40	MBB9244	Check Chain	1	
41	MBB9243	Plate	1	
42	001005124	Bolt M12 x 60	2	
43	001300120	Nut M12	2	
44	001510127	S.L.Washer 12mm	2	
45	MBB6245	Plate	2	
46	MBB9239	Check Chain	1	
47	001005093	Bolt M12 x 45	2	
48	001332121	Stiffnut M122	2	
49	001500124	Washer 12mm	4	
50	CBA4516	Turnbuckle	1	
51	001300162	Nut M16	1	
52	MBB9236	Check Chain	1	
53	001332163	Stiffnut M16	1	
54	001500166	Washer 16mm	1	

ITEM	PART NO.	DESCRIPTION	QTY.	REMARKS

CONTROL VALVE and MOUNTING



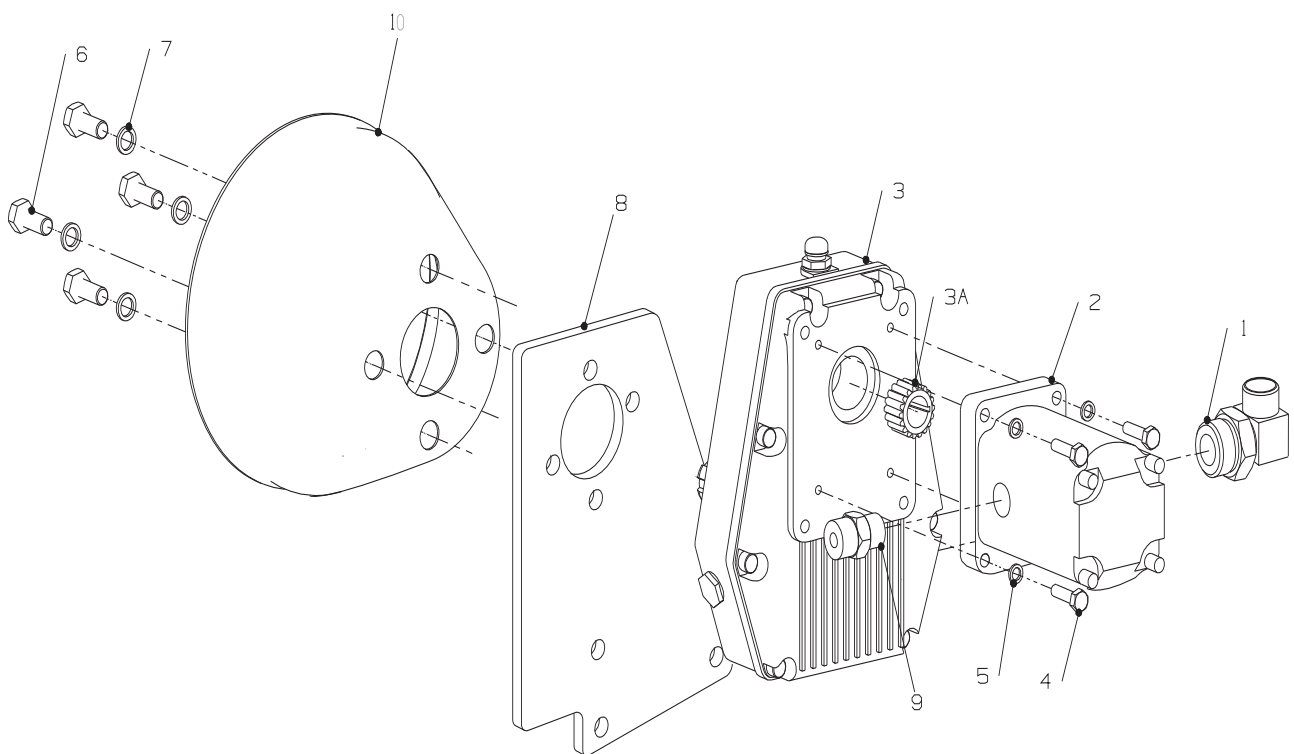
RANSOMES HYDRAULIC 214 Series: LH,LJ,LK,LM

ITEM	PART NO.	DESCRIPTION	QTY.	REMARKS
1	4292851	Plate	1	
2	4282671	Control Valve (See Page 27)	1	
3	001003148	Bolt M8 x 70	2	
4	001510088	S.L.Washer 8mm	2	
5	001500085	Washer 8mm	4	
6	MBB5046	Valve Bracket	1	
7	001103051	Screw M8 x 25	2	
8	001510088	S.L.Washer 8mm	2	
9	MBB6502	Rod Assembly	1	
10	002990154	Ball Knob	1	
11	001004071	Bolt M10 x 35	1	
12	001332105	Stiffnut M10	1	
13	002921214	Disc Spring	1	
14	001500108	Washer 10mm	1	
*	4293331	Complete Seal Kit For 4282671		
*	•4293332	Spool Seal Kit 4282671		
*	•293333	Relief Valve 4282671		
*	•4293334	Detent Control Assm 4282671		
*	•4293335	Relief Valve Seal Kit 4282671		
		LMSE207		
		Replaces Valve 4245350 And Mounting Plate 4236682.		
*	4293131	Control Valve And Plate Assembly	1	
*	•4292851	Mounting Plate	1	
*	•4282671	Control Valve	1	
*	•450025	Bolt-hex M8 X 85	3	
*	•450390	Washer-m8 X 17 X 1.8	3	
*	•450411	Lockwshr-m8 X 12.75 X 2	3	
*	•2492172	Ftg-3/4 Bsp X 7/8 Jic	1	

RANSOMES HYDRAULIC 214 Series: LH,LJ,LK,LM

ITEM	PART NO.	DESCRIPTION	QTY.	REMARKS
	LMAA332	Gearbox Assembly	1	
1	MBC1591	• Gearbox Cover	1	
2	MBA6031	• Gear Case	1	
3	454300104	• Grooved Pin	2	GSF1021CF
4	456091802	• Screw	11	GSF2022CC
5	002036099	• Bearing	1	
6	002032100	• Bearing	1	
7	001700851	• Circlip	1	
8	001710456	• Circlip	1	
9	MBA6032	• Gear	1	
10	442001187	• End Plug	1	MBA6033
11	519004549	• Plug	2	GSF3260AA
12	670000116	• Fibre Washer	2	GSF3551EJ
	LMSD844	• Pump Assembly	1	
13	008096001	•• Pump	1	
14	MBB6220A	•• Elbow	1	
15	002212132	•• O Ring	1	
16	456190955	•• Screw	1	GSF2103BL
*	456190816	•• Screw	1	GSF2103BP
17	001510088	•• S.L.Washer 8mm	2	
18	456800499	• Stud	4	GSF1140AL
19	450020037	• Nut	4	GSF2051AA
20	452000211	• Washer	4	GSF21 50C
21	640001903	• O Ring	1	GSF3599CE
22	MBA6036	• Pinion	1	
	MBB9947	P.T.O.Shaft Bearing Asy.	1	
23	MBC1587A	• Plate	1	
24	002037079	• Bearing	1	
25	001700801	• Circlip	1	
26	MBB9946	• Shaft	1	
27	MBB9948	• Collar	1	
28	001710359	• Circlip	1	
29	451030609	• Bolt	4	GSF2001JK
30	450020142	• Nut	4	GSF2051AE
31	452200150	• S.L.Washer	4	GSF2163K
*	MBC2811	Guard	1	
32	MBC1 586	Plate	4	
33	451810510	Bolt	4	MBB2559
34	001332105	Stiffnut M10	4	
35	001500108	Washer 10mm	4	
36	008140507	P.T.O.Shaft Assembly	1	Walterscheld
*	008142012	• Unit Package	AR	
*	870010018	• Q R Pin Kit	AR	H920069
*	008144006	• Guard	AR	

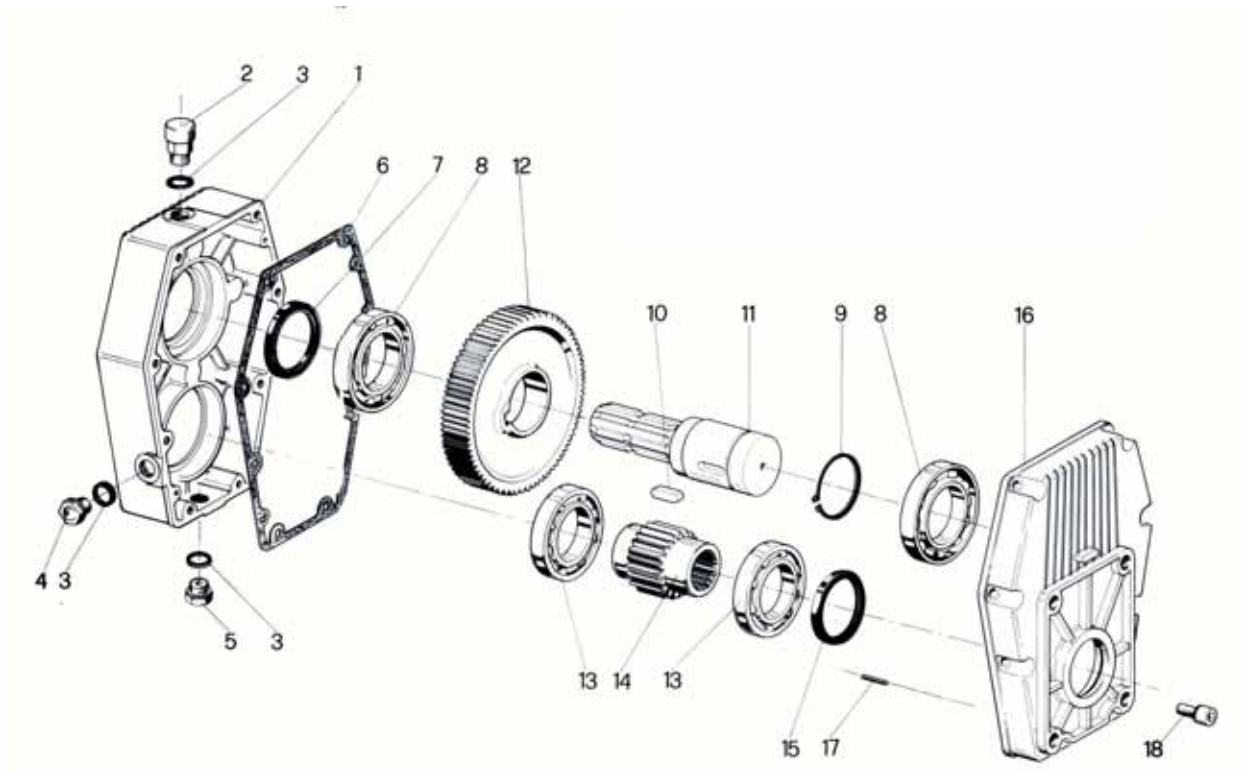
GEARBOX & PUMP MOUNTING



RANSOMES HYDRAULIC 214 Series: LH,LJ,LK,LM

ITEM	PART NO.	DESCRIPTION	QTY.	REMARKS
1	4166640	FTG-90-M/M 1-5/16 JIC x 1-5/16 SAE	1	
2	4165700	Pump	1	Roquet
*	4222140	• Seal Kit	1	
*	4229480	• Key	1	
*	4229481	• Shaft Nut	1	
*	4229482	• Nut Retainer	1	
3	008141498	PTO Gear Box 3:1	1	
3a	008154370	Splined Adapter	1	
4	450193	Screw - Hex M8 x 30	4	
5	450411	Lockwasher - M8 x 12.75 x 2	4	
6	450241	Screw - Hex M12 x 30	4	
7	450413	Lockwasher - M12 x 17.9 x 2.5	4	
8	4161944	Plate	1	
9	002410079	FTG - M/M 7/8 Orfs x 7/8 SAE	1	
10	4235580	Guard	1	
*	MBC1 586	Plate	4	to clamp item 8 to frame
*	451810510	Bolt	4	MBB2559
*	001332105	Stiffnut M1O	4	
*	001500108	Washer 10mm	4	

GEARBOX

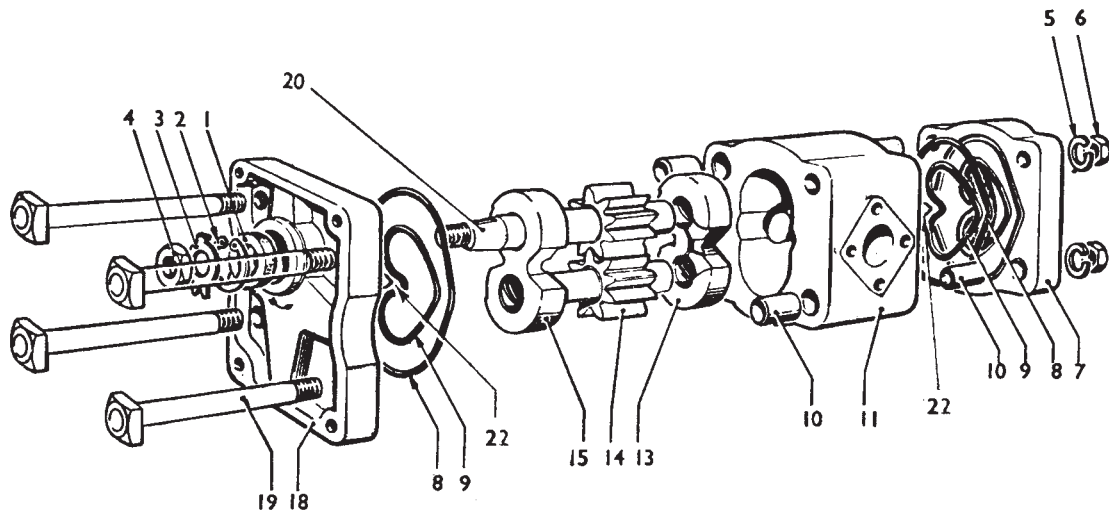


RANSOMES HYDRAULIC 214 Series: LH,LJ,LK,LM

ITEM	PART NO.	DESCRIPTION	QTY.	REMARKS
1	008154380	Gearbox Hydra-App ML52	1	ML52-1-1/3-C2
		Front Cover	1	
2	4125800	Breather	1	49101700
3	4125801	PVC Gasket	3	39207100
4	4125802	Sight Glass	1	49100500
5	4125803	Drain Plug	1	49100700
6	4125819	Paper Gasket	1	39205000
7	4125820	Input Shaft Seal	1	44103100
8	4125821	Input Shaft Bearing	2	44001200
9	4125822	Circlip	1	42201200
10	4125827	Key	1	43201100
11	4125828	Male Shaft	1	34201900
12		Crown Gear	1	
13	4125829	Output Shaft Bearing	2	44000300
14		Pinion Gear - Output Shaft	1	
15	4125830	Output Shaft Seal	1	44102200
16		Rear Cover	1	
17	4125832	Dowel Pin	AR	43000300
18	4125833	Bolt	AR	40007400

ITEM	PART NO.	DESCRIPTION	QTY.	REMARKS

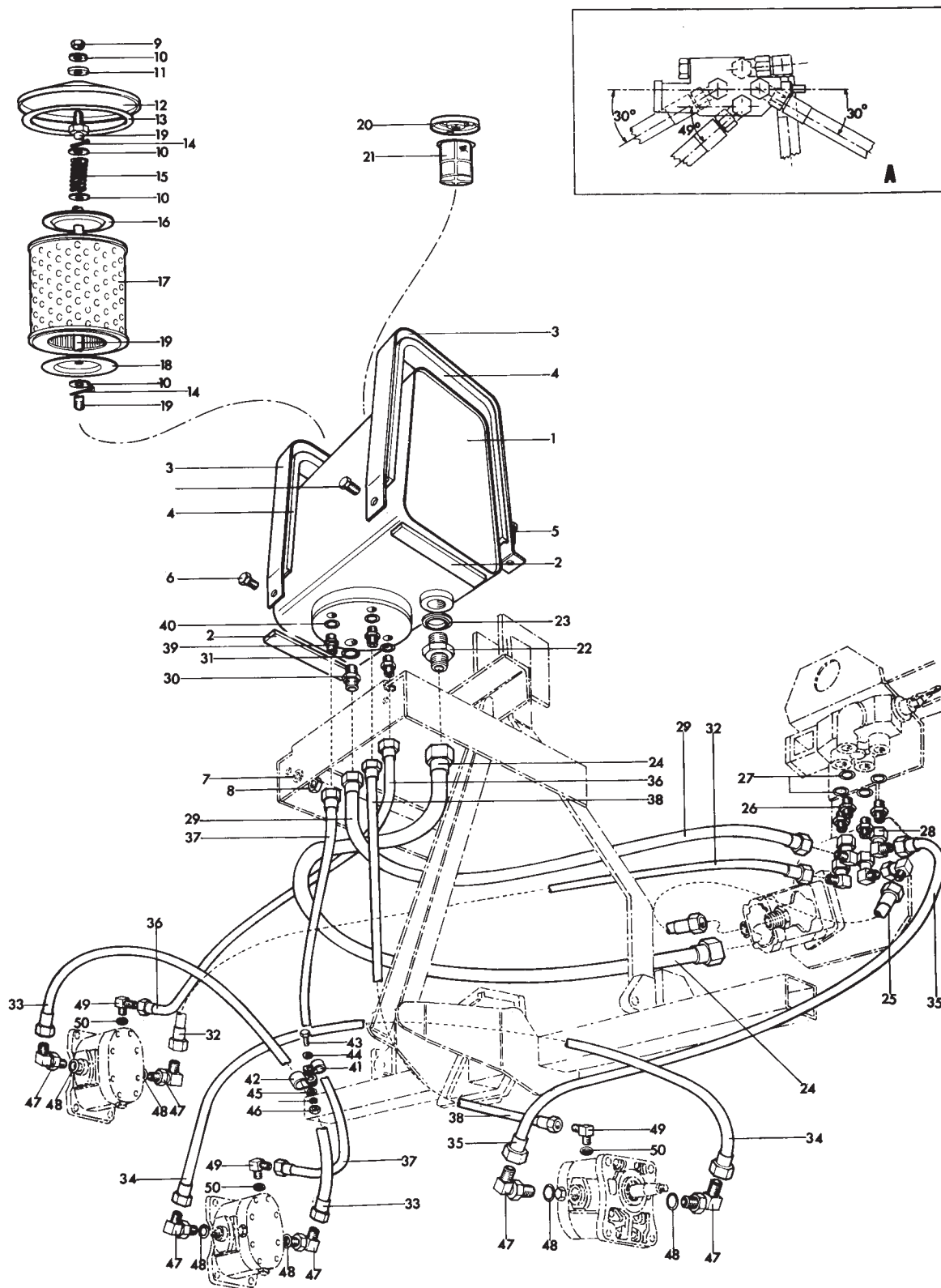
PUMP ASSEMBLY



RANSOMES HYDRAULIC 214 Series: LH,LJ,LK,LM

ITEM	PART NO.	DESCRIPTION	QTY.	REMARKS
		Sauer Sundstrand SP2 / 250 C 11.3L - 27493		
	00809600	Pump	1	
1	N/A	Shaft Seal		
2	N/A	Circlip		
3	N/A	Tab Washer		
4	N/A	Nut		
5	N/A	Lockwasher		
6	N/A	Nut		
7	N/A	Cover		
8	++	Sealing Ring		
9	++	Pressure Loading Ring		
10	N/A	Hollow Dowel		
11	N/A	Body		
13	N/A	Bottom Bearing		
14	N/A	Driven Gear		
15	N/A	Top Bearing		
18	N/A	Flange		
19	N/A	Bolt		
20	N/A	Drive Gear		
22	++	Stuffer Strip		
++	008065210	Seal Kit		
		For use with Gearbox Hydra-App ML52		
*	4165700	Pump	1	Roquet
*	4222140	• Seal Kit	1	

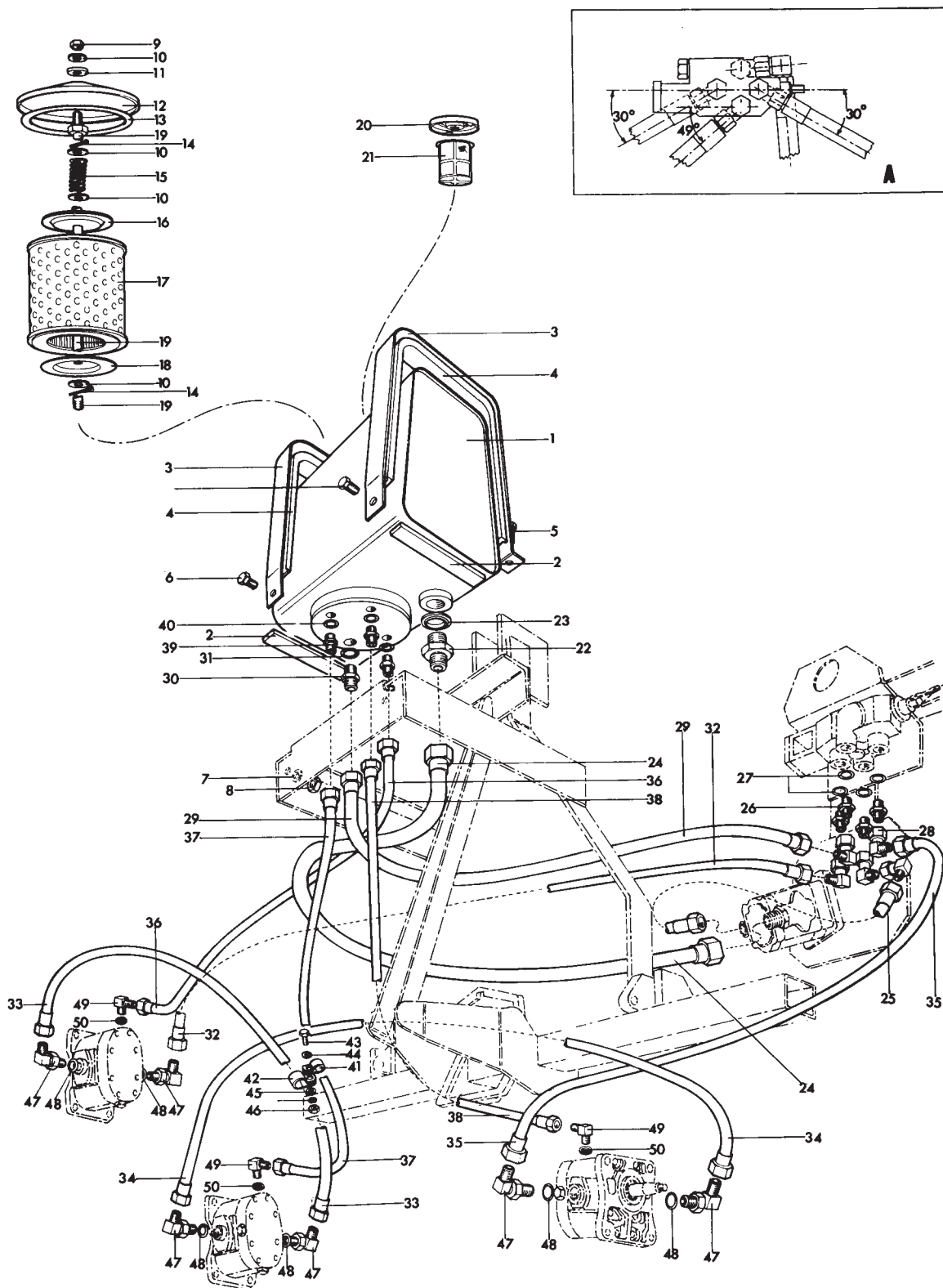
HYDRAULIC CIRCUIT



RANSOMES HYDRAULIC 214 Series: LH,LJ,LK,LM

ITEM	PART NO.	DESCRIPTION	QTY.	REMARKS
1	MBB5987	Hydraulic Supply Tank	1	
2	649005150	Rubber Pad	2	MBB5068
3	MBB3185	Tank Strap	2	
4	369050688	Rubber Strip (26")	2	H060103
5	001103069	Screw M8 x 30	2	
6	001103085	Screw M8 x 40	2	
7	001510088	S.L.Washer 8mm	4	
8	001300081	Nut M8	4	
9	001300120	Nut M12	1	
10	001500124	Washer 12mm	4	
11	641000403	Sealing Washer	1	MBA5889
12	MBA5883	Cover Plate	1	
13	641000411	Sealing Ring	1	MBA5882
14	001400677	Split Pin	2	
15	461000764	Spring	1	GSF2240MM
16	442004664	Filter Top Plate	1	MBA5879
17	802000739	Filter Element	1	MBA5881
18	442004656	Filter Bottom Plate	1	MBA5880
19	MBB5062	Filter Stud	1	
20	890007900	Filter Cap	1	H460004
21	442003587	Filter	1	MBB2629
22	459100058	Adaptor	1	GSF257OAH
23	870002910	Seal	1	H014024
*	008906001	Pump (See Page 31)	1	
*	002414073	Elbow	1	
24	007918006	Suction Hose	1	
*	4166621	Hose	1	For Use With Gearbox 008154380
*	002400678	Adaptor	1	
*	870000099	Seal	1	H014016
25	909003326	Hose	1	MBA6074A
*	4166620	Hose	1	For Use With Gearbox 008154380
*	008028337	Valve (See Page 27)	1	
26	002400076	Adaptor	4	
27	002218104	O Ring	1	
*	002424076	Elbow	1	
28	002414073	Elbow	4	
29	909003342	Return Hose	1	MBA6077A
30	459100074	Adaptor	1	GSF2571AT
31	870000099	Seal		H014016
32	909007126	Flow Hose	1	MBB5043
33	909007126	Flow Hose	1	MBB5043
34	909007126	Flow Hose	1	MBB5043
35	909007126	Flow Hose	1	MBB5043

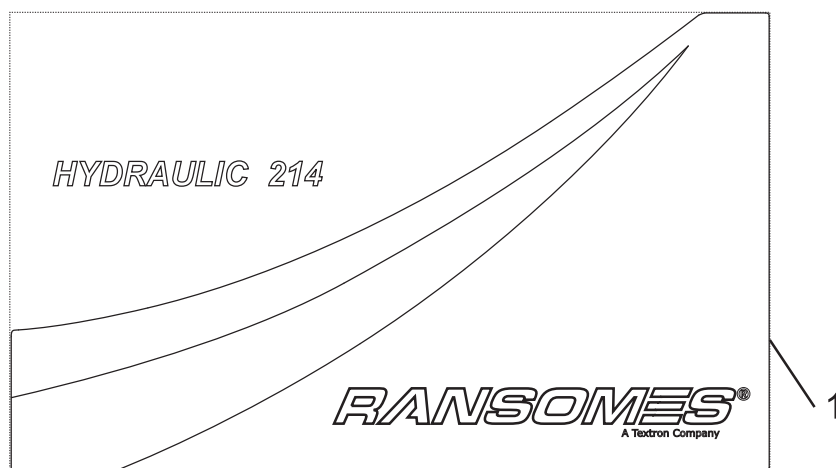
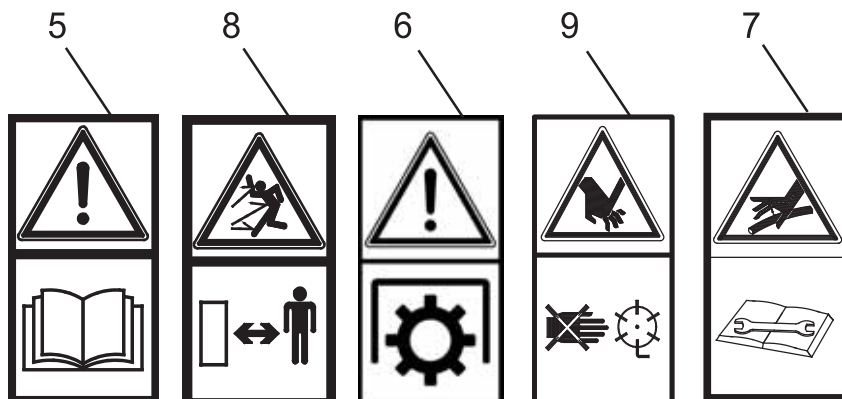
HYDRAULIC CIRCUIT



RANSOMES HYDRAULIC 214 Series: LH,LJ,LK,LM

ITEM	PART NO.	DESCRIPTION	QTY.	REMARKS
36	909006748	Drain Hose	1	MBB5044
37	909006154	Drain Hose	1	MBB3043
38	909006748	Drain Hose	1	MBB5044
39	002400034	Adaptor	3	
40	002218049	O Ring	1	
41	469021633	Hose Clip	1	H980407
42	469016517	Hose Clip	1	H980031
43	001104065	Screw M10 x 30	1	
44	001500108	Washer 10mm	1	
45	001510101	S.L.Washer 10mm	1	
*	002410079	Elbow	1	For Use With Gearbox 008154380
*	4166640	Elbow	1	For Use With Gearbox 008154380

DECALS



RANSOMES HYDRAULIC 214 Series: LH,LJ,LK,LM

ITEM	PART NO.	DESCRIPTION	QTY.	REMARKS
	IDL131	Decal Kit - Hyd214		
1	4125659	• Decal - Hyd. 214	1	
2	4125605	• Decal - Ransomes 10"	2	
3	19006062	• Decal - Cylinder Rotation	1	MBB5033
4	009036216	• Label - Coat Of Arms	1	
5	009034910	• Decal - Instruction	4	
6	009114110	• Decal - PTO	1	
7	009034930	• Decal - Hyd Press Leak	2	
8	009034890	• Decal - Bystander Warning	2	
9	009034940	Decal - Caution	3	Sharp Blades

ITEM	PART NO.	DESCRIPTION	QTY.	REMARKS



Ransomes Jacobsen Limited
West Road, Ransomes Europark, Ipswich, IP3 9TT
English Company Registration No. 1070731
www.ransomesjacobsen.com

Jacobsen, A Textron Company
11108 Quality Drive, Charlotte,
NC 28273, USA
www.Jacobsen.com