



Parts Manual

RANSOMES Hydraulic 5

Series: LF, LG, RM.

Product code: LKDA104, LKDA103, LKDA110
LKDA204, LKDA203, LKDA210



WARNING: If incorrectly used this machine can cause severe injury. Those who use and maintain this machine should be trained in its proper use, warned of its dangers and should read the entire manual before attempting to set up, operate, adjust or service the machine.

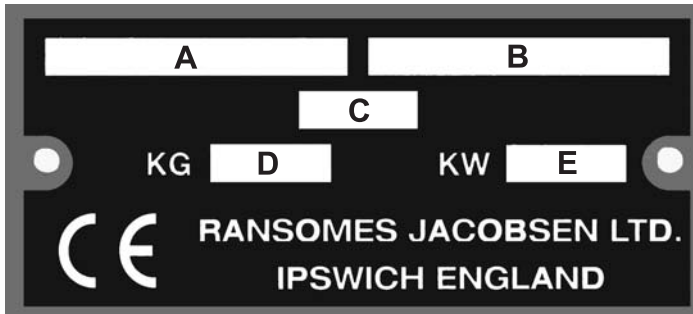


English

DESCRIPTION	PARTS
PRODUCT IDENTIFICATION	2
SERVICE PARTS	3
HOW TO USE THE PARTS MANUAL	4
GUIDELINES FOR THE DISPOSAL OF SCRAP PRODUCTS	5
DURING SERVICE LIFE	5
END OF SERVICE LIFE	5
1 CUTTING UNIT FRAME & CYLINDER (SPORT CUTTER)	6
2 VERTICUT FRAME & REEL	8
3 CUTTING UNIT ROLL & SKIDS	10
4 CUTTING UNIT DRIVE	12
5 CUTTING UNIT DRIVE MOTOR	14
6 CUTTING UNIT MOUNTINGS (FLOATING)	16
7 MAINFRAME, HYDRAULIC TANK AND TRACTOR MOUNTING	18
8 GEARBOX & PUMP MOUNTING.....	24
8A PUMP / GEARBOX ASSEMBLY	28
8B GEARBOX	30
9 HYDRAULIC PUMP Dowty	32
9A HYDRAULIC PUMP Roquet	34
10 CONTROL VALVE and MOUNTING	36
11 HYDRAULIC CYLINDER	38
12 HYDRAULIC LAYOUT	40
13 PARKER VALVE	44
14 DECALS	46

INTRODUCTION

PRODUCT IDENTIFICATION



- A Machine Name
- B Serial Number
- C Year of Manufacture
- D Machine Weight
- E Engine Power

SPARES STOCKING GUIDE

To keep your equipment fully operational and productive, Ransomes suggests you maintain a stock of the more commonly used maintenance items. We have included part numbers for the additional support materials and training aids.

SERVICE SUPPORT MATERIAL			
Part No.	Description	Part No.	Description

HOW TO USE THE PARTS MANUAL

ITEM NUMBER

Each part which is identified in the illustrations has an item number. Parts which do not have an item number may not be readily identified in the illustration but are usually closely associated with the immediately adjacent part.

ASSEMBLIES

A complete assembly, e.g. a wheel motor or hydraulic motor or roll assembly, is listed as a complete item with subsequent individual components listed separately.

The assembly is listed under its part number with component parts being listed offset to the right, e.g.:-

ITEM	PART NO.	DESCRIPTION	QTY	REMARKS
4295	MBG2504	Bracket	1	
4296	MBG3848	Latch	2	
4298	450865	Screw, M8 X 20, Sckt Csk Hd	2	
4300	450378	Nut, M8 Nyloc	2	
4301	WI001	Set Of Wheels	1	
4301.1	008162130	• Wheel & Hub Assy	1	(Rear)
4301.2	008170390	•• Tyre	1	
4301.3	008161830	•• Rim	1	
4301.4	008169140	•• Hub Assy.	1	
4301.5	008169150	•• Cap	1	
4301.6	002993010	•• Lubricator	1	
4301.7	008161990	• Wheel & Tyre	2	(Front)
4301.8	008170780	•• Tyre	2	

It may not be possible to illustrate every item. With certain items purchased from outside suppliers some component parts may not be available from Ransomes and may need to be specially ordered from the supplier.

QUANTITIES

Quantities shown are for one assembly or sub-assembly.

USING THE PARTS LIST

Determine the function and application of the part required. Turn to the main index page and select the appropriate section. Locate the part on the illustration and parts list and read off the quantity from the appropriate MODEL column.

NUMERICAL INDEX

This is a summary of all part numbers used in the manual arranged in numerical sequence and showing the page and item number under which the parts appear.

ORDERING OF SPARE PARTS

When ordering replacement parts, it is most important to quote the SERIAL NUMBER of the machine, PART NUMBER, DESCRIPTION and QUANTITY required.

Any arbitrary modifications carried out on this machine may relieve the manufacturer of liability for any resulting damage or injury.

ABBREVIATIONS

N/A Not Available

ARAs Required

GUIDELINES FOR THE DISPOSAL OF SCRAP PRODUCTS

DURING SERVICE LIFE

Used oil, oil filters and engine coolant are hazardous materials and should be handled in a safe and environmentally responsible way.

In the event of a fluid leak, contain the spill to prevent it entering the ground or drainage system. Local legislation will dictate how such spills are to be treated.

Following the maintenance procedures laid out in this manual will ensure that the impact the machine has on the local environment is controlled.

When it has been identified that a turf care product has no further functional value and requires disposal, the following actions should be taken.

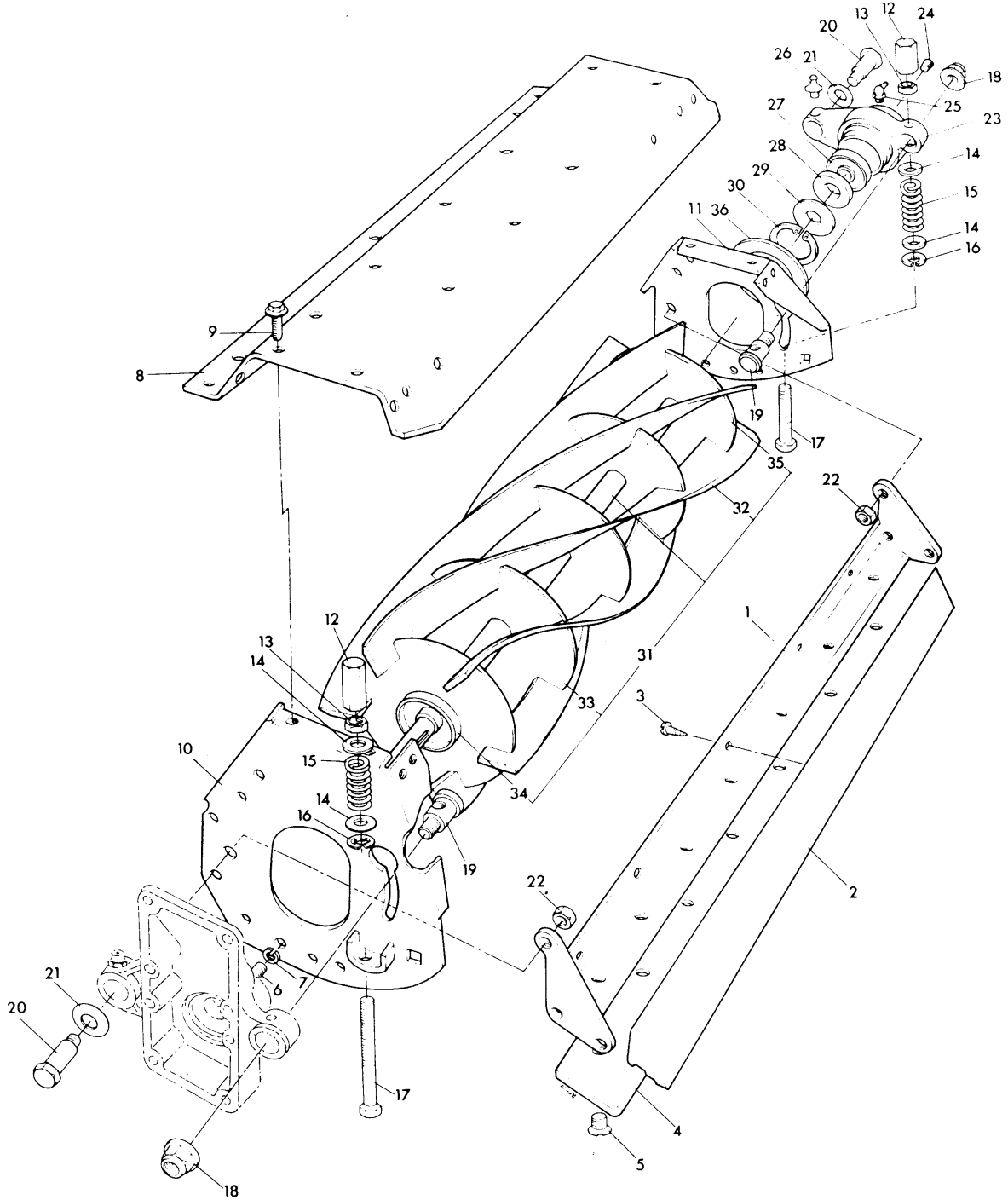
END OF SERVICE LIFE

These guidelines should be used in conjunction with applicable Health, Safety and Environmental legislation and use of approved local facilities for waste disposal and recycling.

- Position the machine in a suitable location for any necessary lifting equipment to be used.
- Use appropriate tools and Personal Protective Equipment (PPE) and take guidance from the technical manuals applicable to the machine.
- Remove and store appropriately:
 1. Batteries
 2. Fuel residue
 3. Engine coolant
 4. Oils
- Disassemble the structure of the machine referring to the technical manuals where appropriate. Special attention should be made for dealing with 'stored energy' within pressurised elements of the machine or tensioned springs.
- Any items that still have a useful service life as second hand components or can be re-serviced should be separated and returned to the relevant centre.
- Other worn out items should be separated into material groups for recycling and disposal consistent with available facilities. More common separation types are as follows:
 - Steel
 - Non ferrous metals
 - Aluminium
 - Brass
 - Copper
 - Plastics
 - Identifiable
 - Recyclable
 - Non recyclable
 - Not identified
 - Rubber
 - Electrical & Electronic Components
- Items that cannot be separated economically into different material groups should be added to the 'General waste' area.
- Do not incinerate waste.

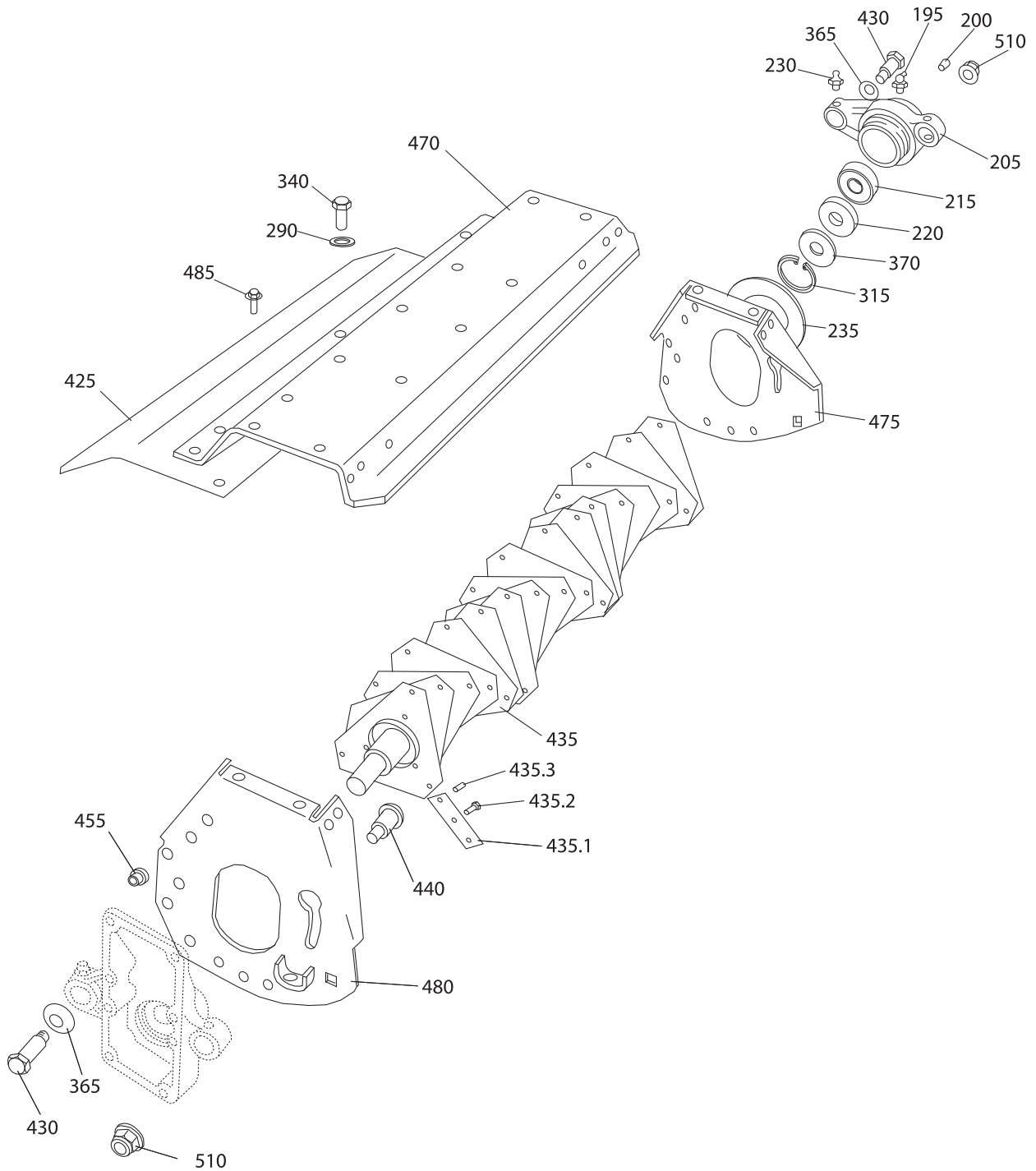
Finally update machinery records to indicate that the machine has been taken out of service and scrapped. Provide this serial number to Ransomes Jacobsen Warranty department to close off relevant records.

1 CUTTING UNIT FRAME & CYLINDER (SPORT CUTTER)



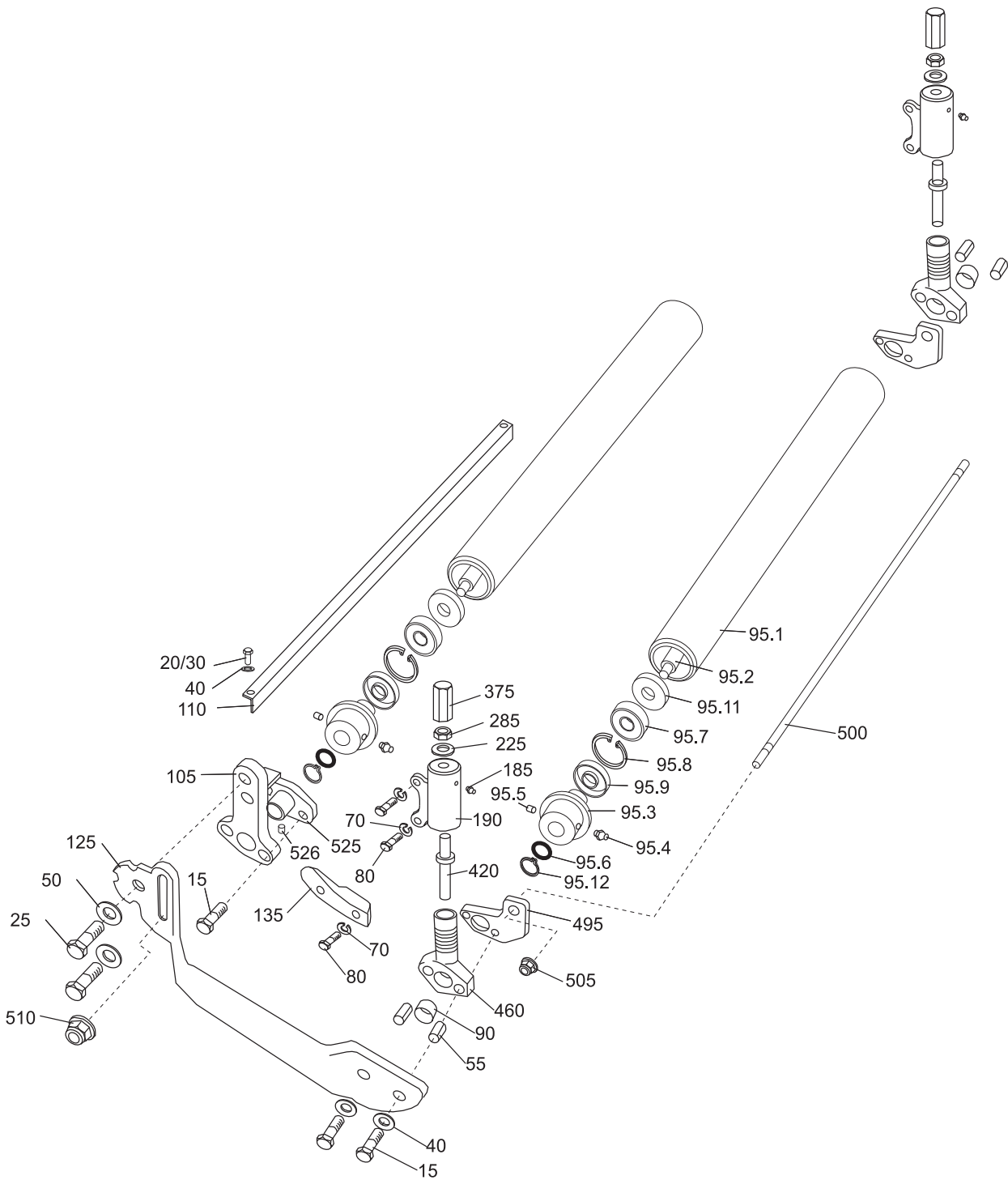
ITEM	PART NO.	DESCRIPTION	QTY.	REMARKS
		Cutting Frame RH Drive	3	
		Cutting Frame LH Drive	2	
1	LMAA263A	Bottom Block & Blade	1	
2	A904332	• Fillet	1	
3	A119206	• Screw	3	
4	MBA7024	• Bottom Blade	1	
5	A119000	• Screw	7	
6	GSF2002ED	• Screw	4	
7	GSF2164J	S.L.Washer	4	
8	MBB9785	Top Deck	1	
9	A116404	Screw M10 x 20	10	
10	MBB2543B	Frame Side Plate	1	
11	MBB2S4OB	Frame Side Plate	1	
12	MB82563	Adjuster	2	
13	A130010	Nut M10	2	
14	AISOOIO	Washer 10mm	4	
15	A291006	Spring	2	
16	GSFIO57BH	Cirolip	2	
17	MBB2SS9	Adjusting Screw	2	
18	A133312	Stiffnut M12	2	
19	MBC5941	Clamp Pivot	2	
20	MBB2562A	Pivot Bolt	2	
21	H083025	Disc Spring	2	
22	GSF2OS2AE	Locknut	2	
23	LMSD671B	Cylinders Housing Assy.	1	(RH Drive)
*	LMSD672B	Cylinder Housing Assy.	1	(LH Drive)
24	GSF2SOIC	• Plug	1	
25	A299306	• Lubricator	1	
26	A299301	Lubricator	1	
27	A203605	Ball Bearing	1	
28	A229401	Felt Seal	1	
29	MBB2S7I	Seal Washer	1	
30	A170052	Circlip	1	
31	MBC8859	Cutting Cylinder 6 knife	1	
*	MBC27S6A	Cutting Cylinder 8 knife	1	
36	A912006	Guard	1	

2 VERTICUT FRAME & REEL



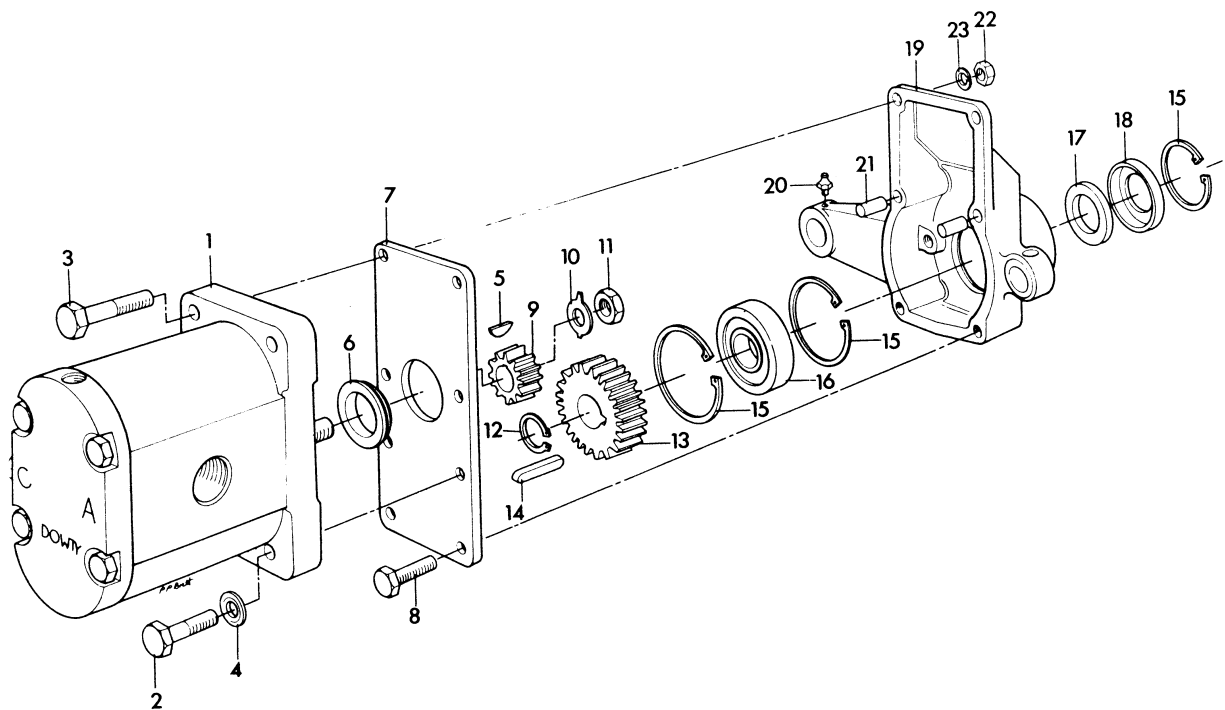
ITEM	PART NO.	DESCRIPTION	QTY.	REMARKS
195	002993063	Lubricator-m6 X 45 Deg	1	
200	459004157	Plug-3/8 Bspt	1	
205	MBB2555E.6	Cylinder Housing Rh	1	
215	002036057	Brg-ball 25 X 52 X 15	2	
220	002294015	Felt Seal	2	
230	002993013	Lubricator-m6 Str	2	
235	009120065	Guard	1	
315	451982	Circlip-int 52 X 2 T	4	
340	456010200	Scrw-hex 5/16-24 X 3/4	3	
365	461901645	Sprg-disc .755 X 1.5 X .045	2	
370	469023708	Cup	2	MBB2571
425	MBB3567.6	Deflector, Front	1	
430	MBB6837	Bolt, Pivot	2	
435	MBC3626.7	Reel, Verticut	1	
435.1	009200380	• Blade	54	
435.2	450210	• Screw M10 x 12	54	
435.3	451727	• Tension Pin	54	
435.4*	450412	• S.L.Washer M10	54	
440	MBC4591	Clamp Bolt.	2	
455	001993046	Insert-helicoil 5/8-11 X 1-1/2d	2	
470	MBB9785A.6	Deck, Top	1	
475	MBB2540B.6	Plate, Side	1	
480	MBB2543C.6	Side Plate B	1	
485	450477	Scrw-hex M10 X 20	1	Verbus Ripp
510	452438	Nut-hex M12 Flng Nyloc	4	
520*	009034680	Decal (+ <-> -)	4	

3 CUTTING UNIT ROLL & SKIDS



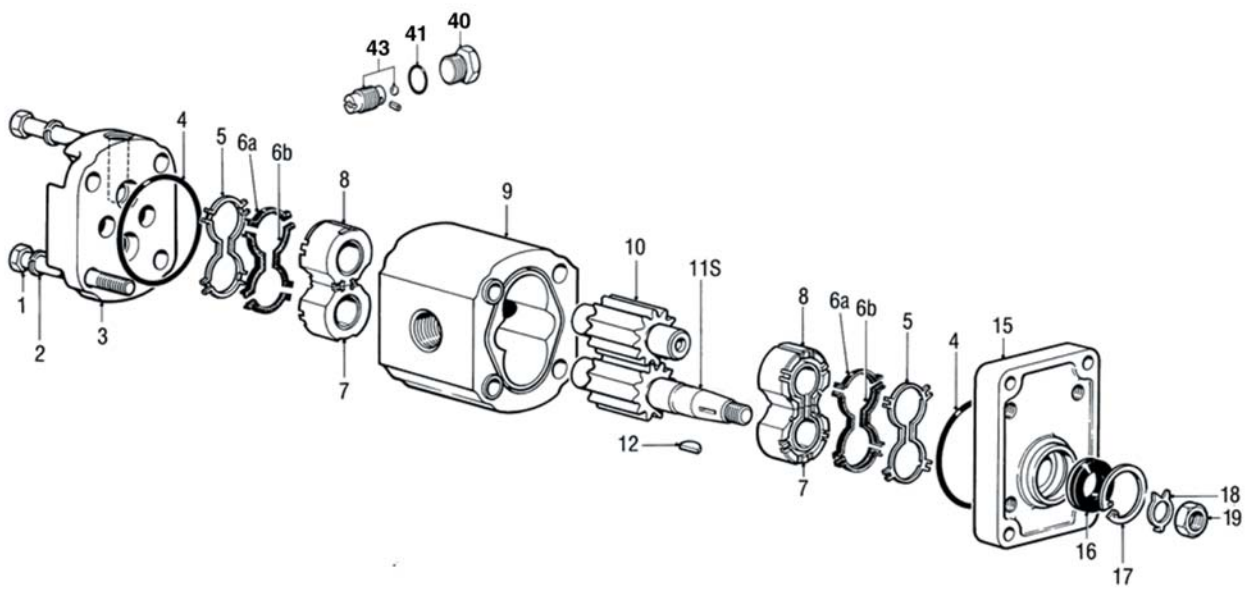
ITEM	PART NO.	DESCRIPTION	QTY.	REMARKS
15	450005	Bolt-Hex M6 X 50	8	
20	450171	Screw-Hex M6 X 20	2	
25	450241	Screw-Hex M12 X 30	4	
30	450323	Nut-Hex M6	8	
40	450410	Lockwasher-M6 X 9.6 X 1.5	6	
50	450413	Lockwasher-M12 X 17.9 X 2.5	4	
55	451764	Pin-Tension 12 X 30	4	
70	452200087	Lockwasher-3/8 X .590 X .092	8	
80	456010331	Scr-Hex 3/8-24 X 3/4	8	
90	649004633	Bush	4	MBB2587
95	LMAA356	Roller, Front	2	
95.1	MBB6764D	• Roll Welded Assembly	1	
95.2	MBB6766B	• Spindle, Front Roller	1	
95.3	MBB6762C	• Boss	2	
95.4	002993013	• Lubricator-M6 Str	2	
95.5	450959	• Screw-Set M6 X 8, Cup Pnt	2	
95.6	002211144	• O-ring 15.54 Id X 2.62 Sect	2	
95.7	002032037	• Bearing-ball 17 X 40 X 12	2	
95.8	451970	• Circlip-int 40 X 1.75 T	2	
95.9	002202503	• Oil Seal 25 X 40 X 7	2	
95.11	002202008	• Oil Seal 20 X 35 X 7	2	
95.12	452041	• Circlip-ext 16 X 1 T	1	
105	MBB6747	Bracket, LH	1	
110	MBB6749	Scraper	1	
120	MBE0331	Support, RH Roll	1	
125	MBE0332	Support, LH Roll	1	
130	MBE0988	Pad, RH	1	
135	MBE0989	Pad, LH	1	
185	842000044	Lubricator-1/4" Str	2	
190	MBB2578	Outer Sleeve	2	
225	002921214	Spring-disc 12.3 X 34 X 1.25	2	
285	450325	Nut-Hex M10	2	
375	469023724	Adjuster	2	MBB2580A
420	MBB2579A	Screw	2	
460	MBC8145	Skid Mounting (Short)	2	
495	MBF0860	Bracket, Scraper	2	
500	009067410	Wire Scraper	1	
505	450378	Nut-hex M8 Nyloc	2	
525	MBE2983	Adapter	2	
526		Screw M8	2	

4 CUTTING UNIT DRIVE



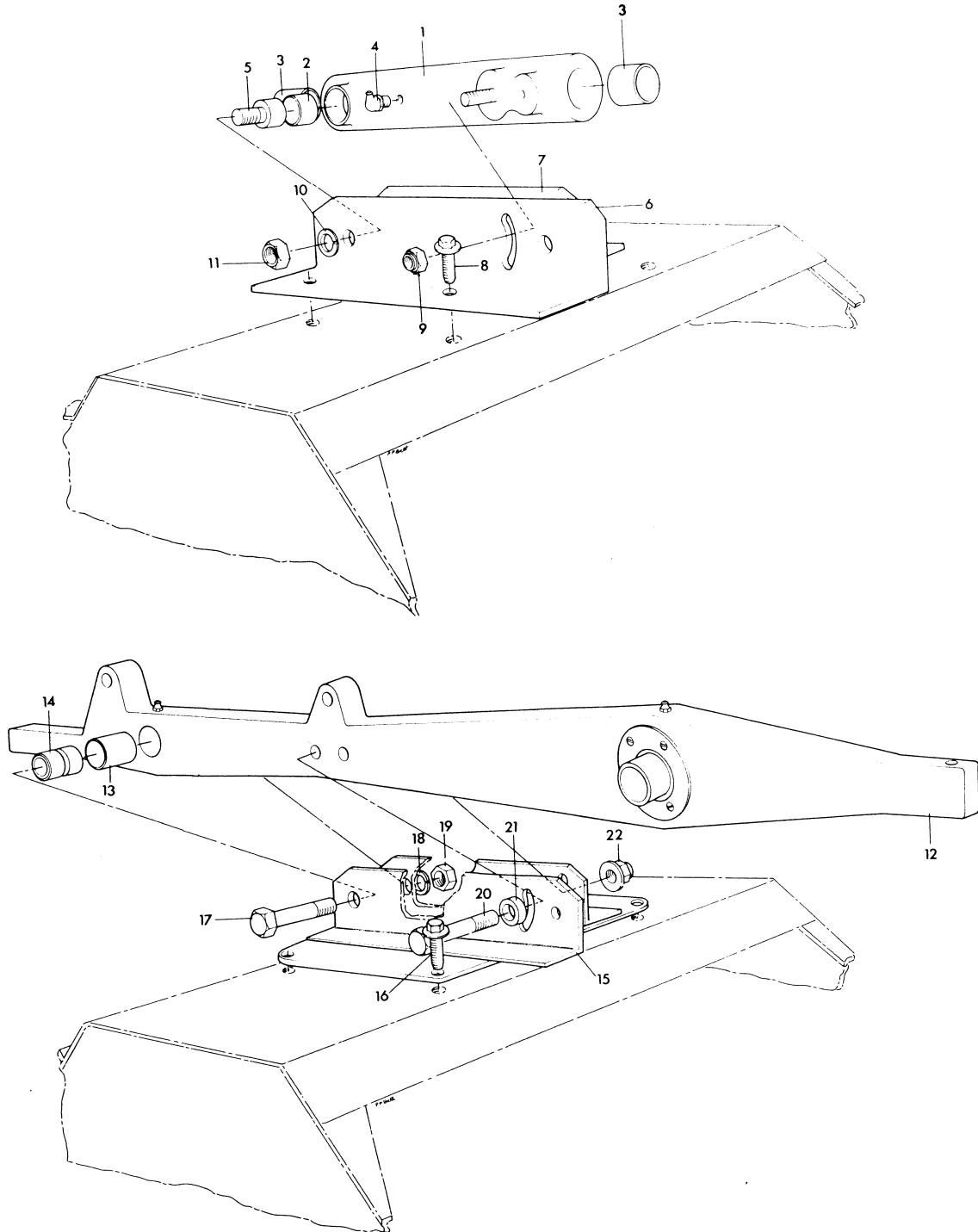
ITEM	PART NO.	DESCRIPTION	QTY.	REMARKS
1	008092049	Drive Motor LH		
*	008092031	Drive Motor RH	1	
2	451030120	Bolt	2	GSF2001AP
3	451030112	Bolt	2	GSF2001AK
4	870002994	Seal Washer	2	H014004
5	453100036	Key Woodruff	1	GSF2230AE
6	MBB2558	Motor Adaptor	1	
7	MBB2557	Motor Mounting Plate	1	
8	456010098	Screw	2	GSF2002AD
9	MBB2616	Drive Pinion	1	
10	930000350	Washer	1	H200038
11	450020118	Nut	1	GSF2051AD
12	461004205	Circlip	1	GSF1056BA
13	MBB2615	Gear	1	
14	453003317	Key	1	GSF2202ER
15	001700526	Circlip Int.Type	3	
16	002036057	Ball Bearing	1	
17	002294015	Felt Washer	1	
18	MBB2571	Seal Washer	1	
19	MBB2554H	Gearbox Housing (RH Drive)		
*	MBB2553H	Gearbox Housing (LH Drive)	1	
20	002993013	Lubricator	1	
21	049004106	Dowel	2	GSF1033ED
22	450020037	Nut	2	GSF2051AA
23	452200029	S.L.Washer	2	GSF2164G

5 CUTTING UNIT DRIVE MOTOR



ITEM	PART NO.	DESCRIPTION	QTY.	REMARKS
	008092049	Drive Motor LH	1	
	008092031	Drive Motor RH	1	
1	N/A	Bolt		
2	N/A	Lockwasher		
3	N/A	End Cover		
4		+ Body O Ring		
5		+ Back up Seal		
6a		+ Bush Seal		
6b		+ Bush Seal		
7	N/A	Bush		
8	N/A	Bush		
9	N/A	Body		
10	N/A	Driven Gear		
11s	N/A	Drive Shaft		
12	GSF2230AE	+ Woodruff Key		
15	N/A	Mounting Flange		
16	002299450	+ Shaft Seal		
17		+ Circlip		
18	H200038	Tab Washer		
19	GSF2051AD	Nut		
40	008092230	Plug		
41	008092240	O Ring		
42	008096140	Spring		
43	008096130	Non Return Valve		
+		Items Marked + Part of Seal Kit 008096150		

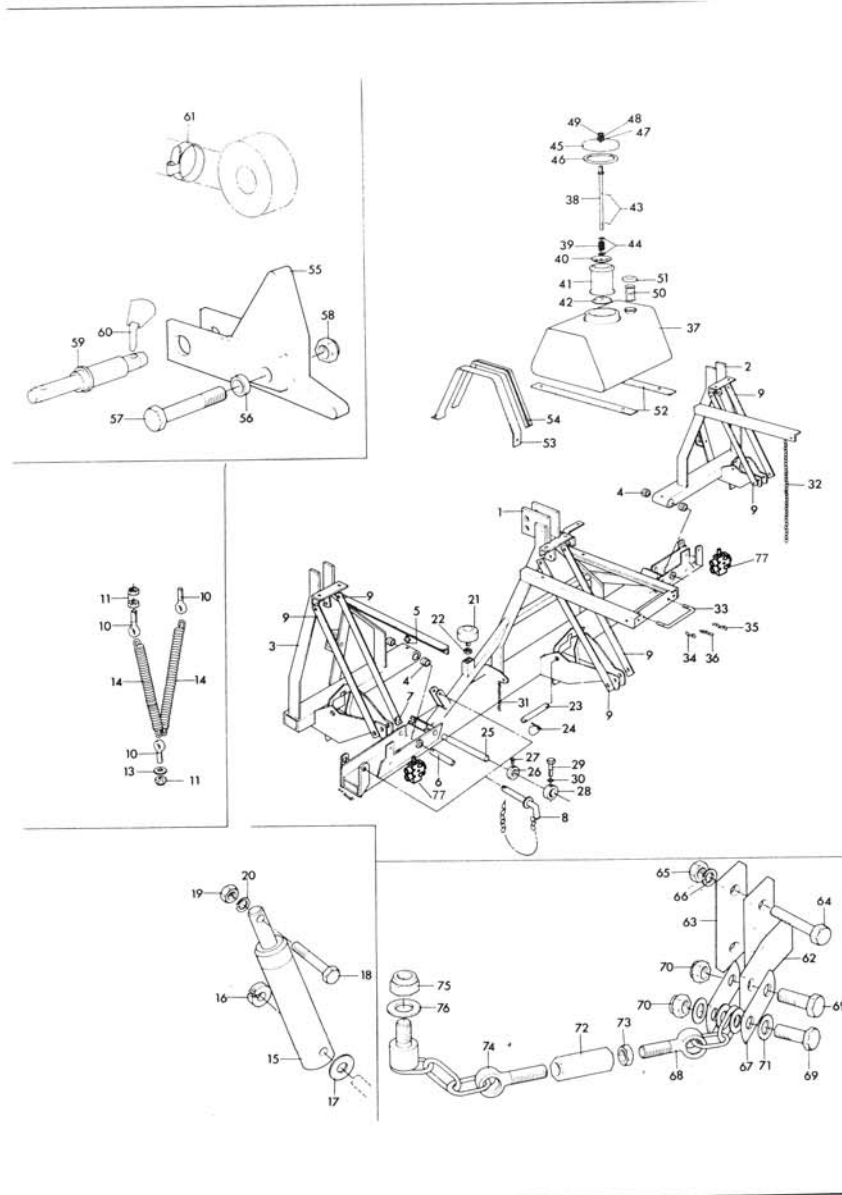
6 CUTTING UNIT MOUNTINGS (FLOATING)



ITEM	PART NO.	DESCRIPTION	QTY.	REMARKS
	LMAA248B	Unit Mounting for Front RH & LH	2	
1	LMSD718	Mounting Bracket Assy.	1	
2	GSF3002TG	Bush	2	
3	GSF3003BM	Bush	2	
4	A299316	Lubricator	1	
5	MBB2374	Pivot Pin	2	
6	MBB2373	Mounting Bracket LII	1	
7	MBB2372Z	Mounting Bracket RH	1	
8	A116405	Screw M10 x 25	4	
9	A133312	Stiffnut M12	1	
10	A151116	S.L.Washer 16mm	2	
11	A130016	Nut M16	2	
	MBB2484	Stop Bracket	1	
	LMAA249	Unit Mounting for Rear Centre RH & LH	3	
12	MBB9960	Lever Assy.	1	
*	MBB9961	Lever	1	
*	A219101	Bearing	1	
*	MBB9975	Spacer	4	
*	MBB9962	Bearing Plate	2	
*	A121395	Screw MB x 16	8	
*	MBB9963	Bush	2	
*	A299301	Lubricator	2	
13	GSF3002TG	Bush	1	
14	MBB5076	Sleeve	1	
15	MBBSO77	Mounting Bracket	1	
16	A116405	Screw M10 x 25	4	
17	A100511	Bolt M12 x 55	1	
18	A151012	S.L.Washer 12mm	1	
19	A130012	Nut M12	1	
20	A100514	Bolt M12 x 70	1	
21	MBB2625	Washer	1	
22	A133312	Stiffnut M12	1	

7 MAINFRAME, HYDRAULIC TANK AND TRACTOR MOUNTING

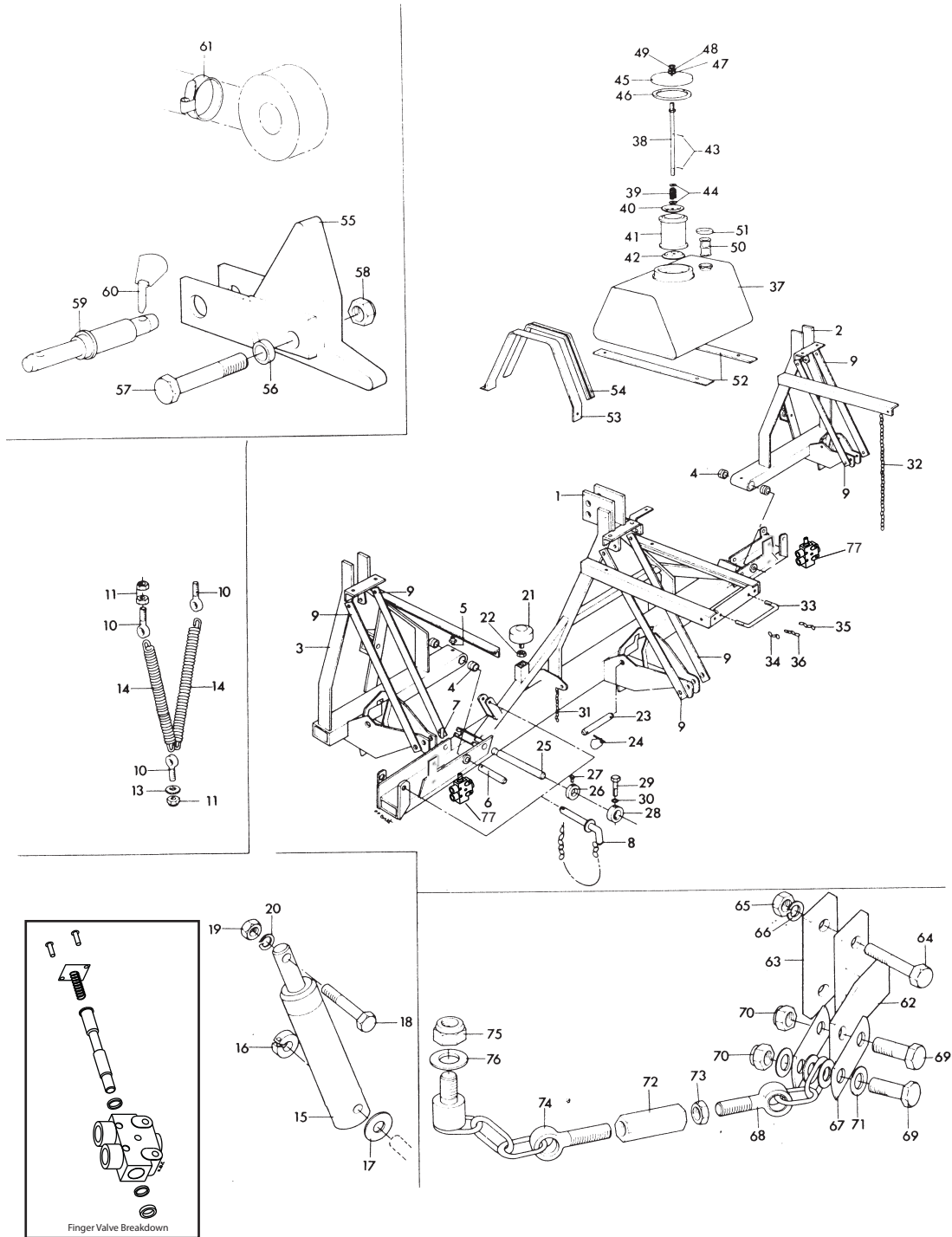
h5-9.tif



ITEM	PART NO.	DESCRIPTION	QTY.	REMARKS
1	MBC1590B	Main Frame	1	
2	MBB9927	Frame Assy. RH	1	
3	MBB9921	Frame Assy. LH	1	
4	A213112	• Bush	4	
5	A299301	• Lubricator	1	
6	MBB9951	Shaft	2	
7	A141116	Spirol Pin	2	
8	MBB9972	Rod Assy.	2	
9	MBB5025	Stay	6	
*	A100508	Bolt M12 x 40	3	
*	A130012	Nut M12	3	
*	A151112	S.L.Washer 12mm	3	
*	A100724	Bolt M20 x 120	3	
*	A133220	Stiffnut M20	3	
10	MBB5021	Eyebolt	9	
11	A130010	Nut M10	12	
12	A133210	Stiffnut M10	3	
13	A150010	Washer 10mm	3	
14	A290055	Spring	6	
15	4244298	S/A Hyd Cyl, 25 x 176, Lift	2	
*	4291658	Seal Kit for 4244298		
16	A195212	Clamping Collar	2	
17	A150024	Washer 24mm	2	
18	GSF2001KF	Bolt	2	
19	GSF205IAE	Nut	2	
20	OSF2164L	S.L.Washer	2	
21	A906400	Bump Stop	2	
22	A130010	Nut M10	2	
23	MBB5030A	Pin	3	
24	PSF3051	Spring Pin	6	
25	MBB6798C	Shaft	2	
*	A100614	Bolt M16 x 70	4	
*	A133216	Stiffnut M16	4	
*	A150016	Washer 16mm	4	
26	MBB6249	Collar	2	
27	GSF2OI7PC	Screw	2	
28	MBA5990	Collar	2	
29	GSF2001EK	Bolt	2	
30	A151010	S.L.Washer 10mm	2	
31	A298990AG	Chain	2	
*	A110306	Screw M8 x 30	2	
*	A130008	Nut M8	2	
32	A298990BB	Chain	3	
*	A110308	Screw M8 x 40	4	

7 MAINFRAME, HYDRAULIC TANK AND TRACTOR MOUNTING

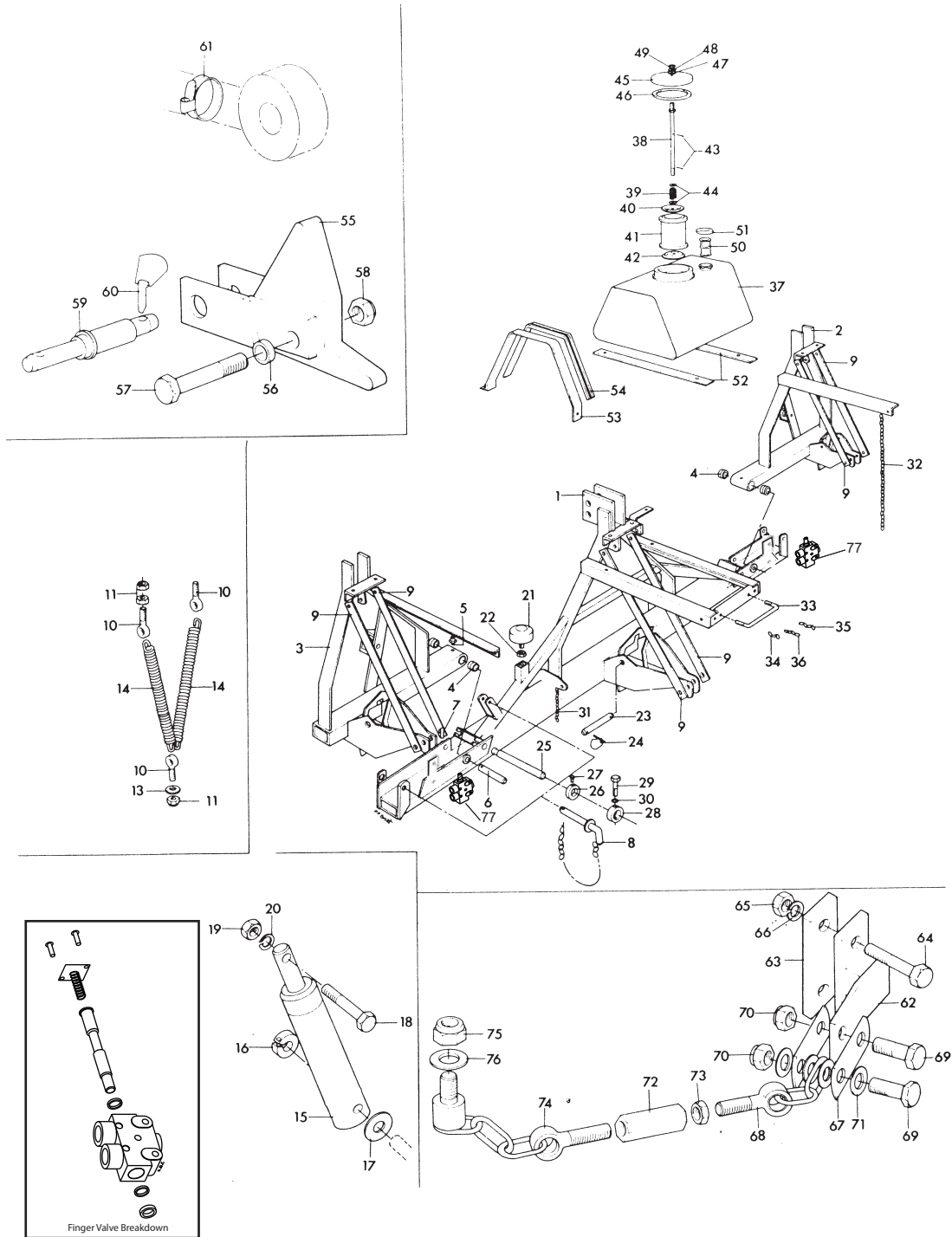
HYD5_mainframe_update.eps



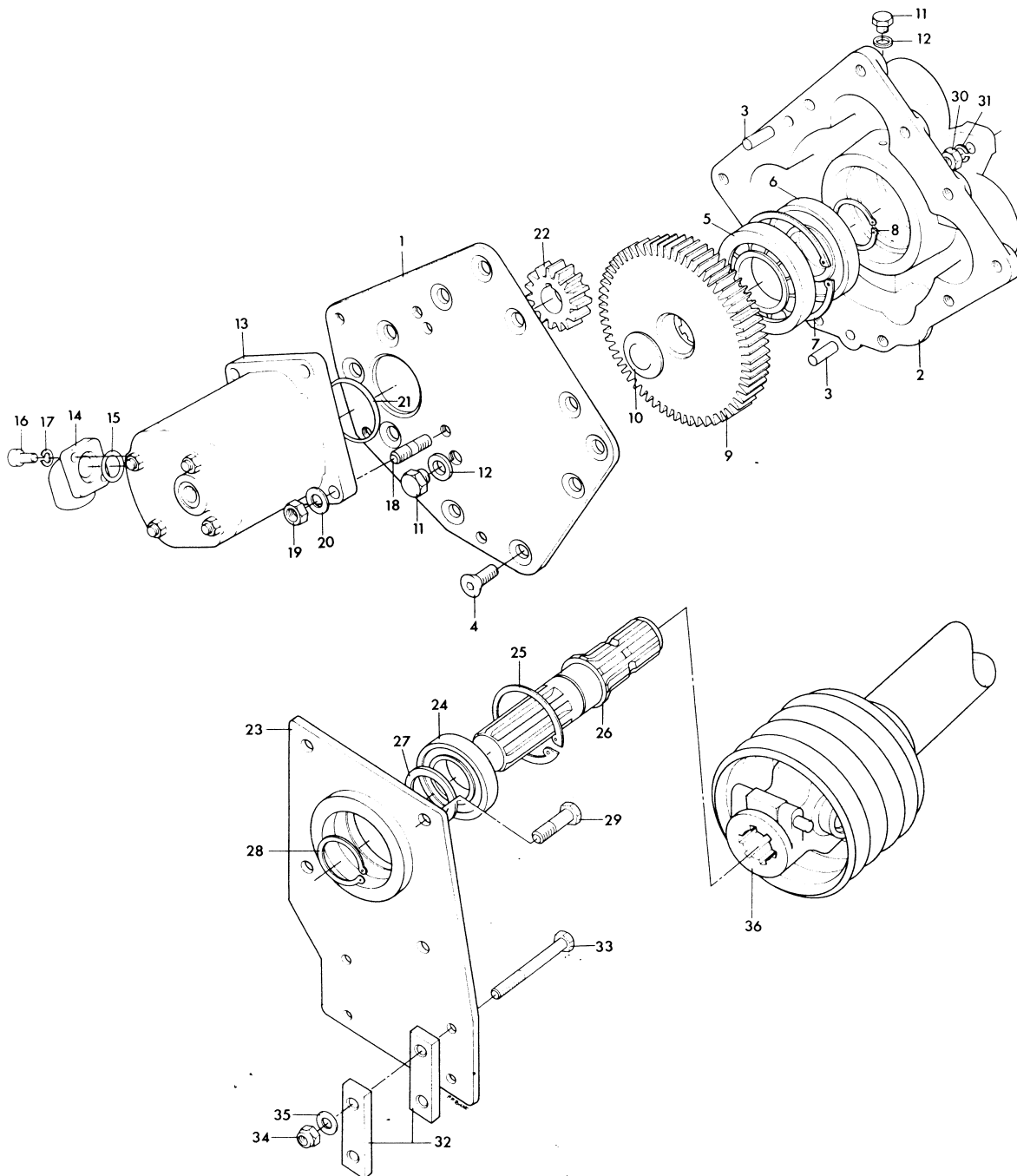
ITEM	PART NO.	DESCRIPTION	QTY.	REMARKS
*	A133208	Stiffnut M8	8	
*	AE22003	Washer1	0	
33				
*	MBB6241	Hook Rail	1	
*	A133208	Stiffnut M8	2	
34	A150008	Washer 8mm	2	
35	H060048AC	Chain	1	
36	H060048AD	Chain Assy.	1	
*	H060048AD	Chain Assy.	1	
*	A110406	Screw M10 x 303[For34,35]		
*	AI50010	Washer 10mm	6	
37	A133210	Stiffnut M10		
*	LMAA333	Tank Assy. (MBB5987)	1	
38	LMSD760	Filter Assy.	1	
39	MBBS062	Stud Assy.	1	
40	G8F224014M	Spring	1	
41	MBA5879	Top Plate	1	
42	MBA5881	Filter	1	
43	MBA5880	Bottom Plate	1	
44	A140067	Split Pin	2	
45	A150012	Washer 12mm	2	
46	MBA5883	Cover Plate	1	
47	MBA5882	Sealing Ring	1	
48	MBA5889	Sealing Washer	1	
49	A150012	Washer 12mm	1	
50	A130012	Nut M12	1	
51	MBB2629	Filter	1	
*	H460004	Filler Cap	1	
*	A240003	Adaptor	3	
*	A225704	Sealing Washer	3	
*	GSF2S70AB	Adaptor	2	
*	A221804	O Ring	2	
*	A225704	Sealing Washer	1	
*	GSF257IAT	Adaptor	1	
*	H014016	Sealing Washer	1	
*	GSF2S70AH	Adaptor	1	
52	H014024	Dowty Seal	1	
53	MBB5068	Rubber Pad	2	
54	MBB3185	Tank Strap	2	
*	H060103	Rubber Strap	2	
	A110306	Screw M8 x 30	2	

7 MAINFRAME, HYDRAULIC TANK AND TRACTOR MOUNTING

HYD5_mainframe_update.eps

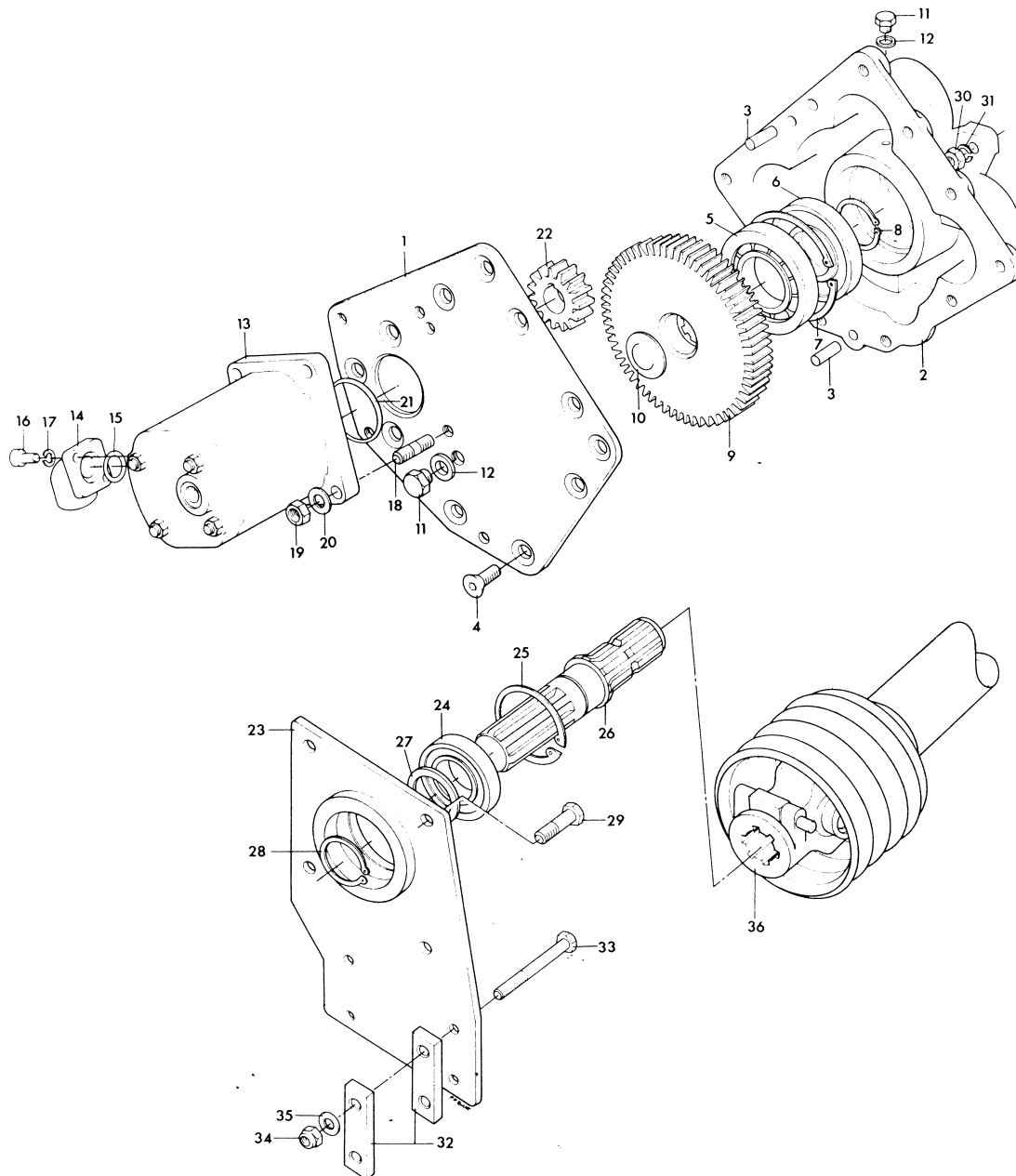


ITEM	PART NO.	DESCRIPTION	QTY.	REMARKS
*	A110308	Screw M8 x 40	2	
*	A130008	Nut M8	4	
*	A151008	S.L.Washer 8mm	3	
55	MBB9904	Mounting Link LH	1	
*	MBB9903	Mounting Link RH	1	
56	MBB9976	Collar	2	
57	A100722	Bolt M20 x 110	2	
58	A133220	Stiffnut M20	2	
59	MBB5029	Pin	2	
60	P5F3052	Spring Pin	2	
61	A192230	Hose Clip	1	(For Tractor Top Link)
*	MBC2704	Top Link Pin	1	
*	PSF3052	Spring Pin	1	
*	LMAA435	Check Chain Assy. (Ford 333)	2	
62	MBB9244	• Check Chain	1	
63	MBB9243	• Plate	1	
64	A100512	• Bolt M12 x 60	2	
65	A130012	• Nut M12	2	
66	A151012	• Washer 12mm	2	
67	MBB6245	• Plate	2	
68	MBB9239	Check Chain	1	
69	A100509	Bolt M12 x 45	2	
70	A133212	Stiffnut M12	2	
71	A150012	Washer 12mm	4	
72	CBA4S16	Turnbuckle	1	
73	A130016	Nut M16	1	
74	MBB9236	Check Chain	1	
75	A133216	Stiffnut	1	
76	A150016	Washer 16mm	1	
		Fittings For Ford 335		
.		Top Link Bracket		
77	008012290	Divertor Valve	1	
*	A100836	Bolt M24 x 180	1	
*	A151124	S.L. Washer	1	
*	A130024	Nut	1	



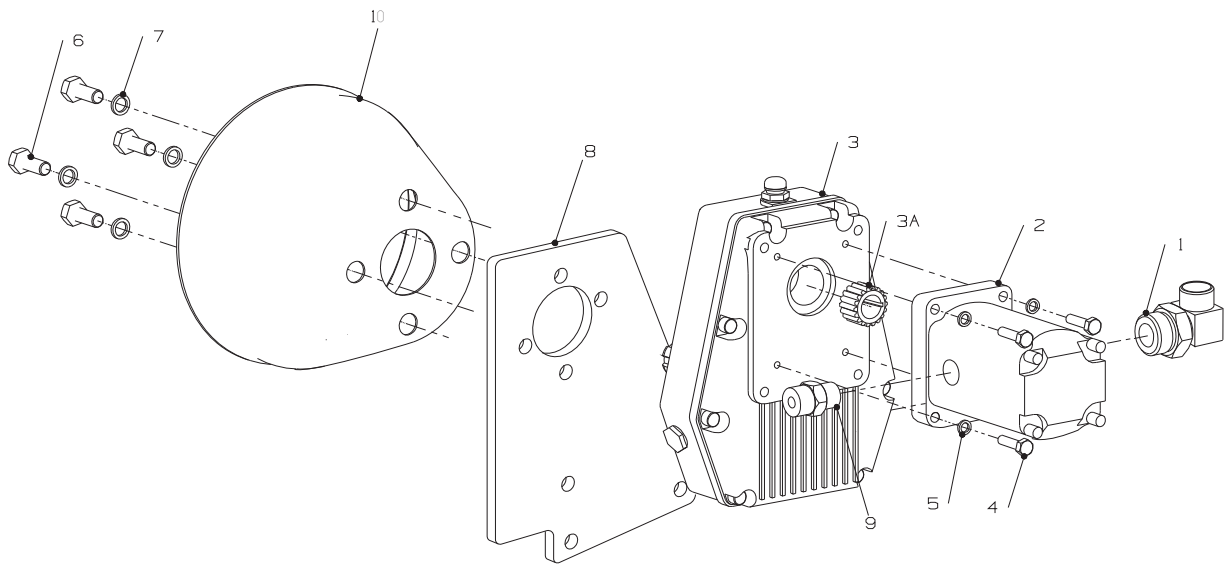
ITEM	PART NO.	DESCRIPTION	QTY.	REMARKS
	LMAA332	Gearbox Assembly	1	
1	MBC1591	• Gearbox Cover	1	
2	MBA6031	• Gear Case	1	
3	454300104	• Grooved Pin	2	GSF1021CF
4	456091802	• Screw	11	GSF2022CC
5	002036099	• Bearing	1	
6	002032100	• Bearing	1	
7	001700851	• Circlip	1	
8	001710456	• Circlip	1	
9	MBA6032	• Gear	1	
10	442001187	• End Plug	1	MBA6033
11	519004549	• Plug	2	GSF3260AA
12	670000116	• Fibre Washer	2	GSF3551EJ
	LMSD844	• Pump Assembly	1	
13	008096001	•• Pump	1	
14	MBB6220A	•• Elbow	1	
15	002212132	•• O Ring	1	
16	456190955	•• Screw	1	GSF2103BL
*	456190816	•• Screw	1	GSF2103BP
17	001510088	•• S.L.Washer 8mm	2	
18	456800499	• Stud	4	GSF1140AL
19	450020037	• Nut	4	GSF2051AA
20	452000211	• Washer	4	GSF21 50C
21	640001903	• O Ring	1	GSF3599CE
22	MBA6036	• Pinion	1	
	MBB9947	P.T.O.Shaft Bearing Asy.	1	
23	MBC1587A	• Plate	1	
24	002037079	• Bearing	1	
25	001700801	• Circlip	1	
26	MBB9946	• Shaft	1	
27	MBB9948	• Collar	1	
28	001710359	• Circlip	1	
29	451030609	• Bolt	4	GSF2001JK
30	450020142	• Nut	4	GSF2051AE
31	452200150	• S.L.Washer	4	GSF2163K
*	MBC2811	Guard	1	
32	MBC1 586	Plate	4	
33	451810510	Bolt	4	MBB2559
34	001332105	Stiffnut M10	4	
35	001500108	Washer 10mm	4	

8 GEARBOX & PUMP MOUNTING



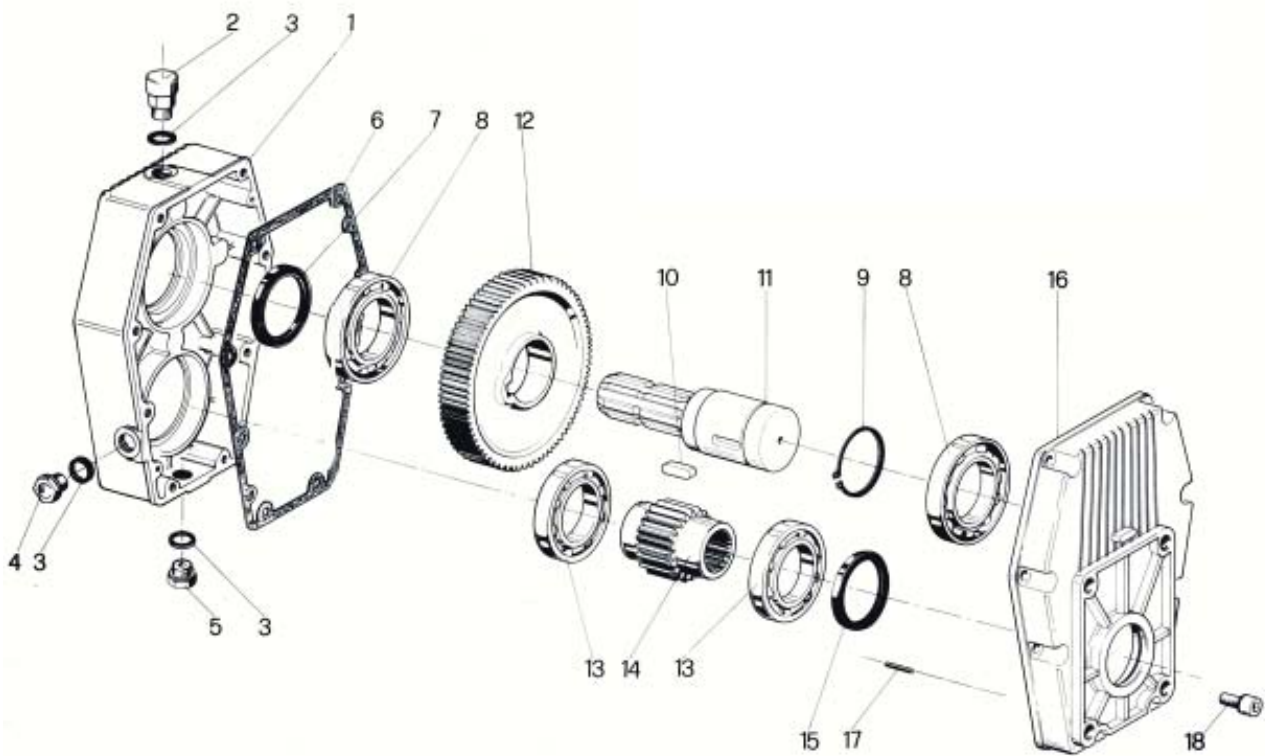
ITEM	PART NO.	DESCRIPTION	QTY.	REMARKS
36	008140507	P.T.O.Shaft Assembly	1	Walterscheid
*	008142012	• Unit Package	AR	
*	870010018	• Q R Pin Kit	AR	H920069
*	008144006	• Guard	AR	

8A PUMP / GEARBOX ASSEMBLY

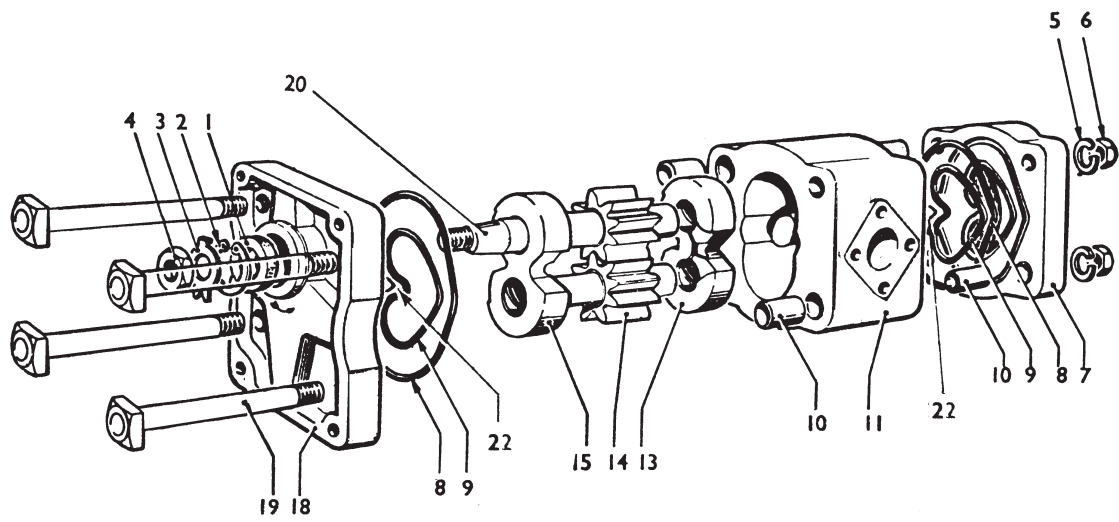


ITEM	PART NO.	DESCRIPTION	QTY.	REMARKS
1	4166640	FTG-90-M/M 1-5/16 JIC x 1-5/16 SAE	1	
2	4165700	Pump	1	Roquet
*	4222140	• Seal Kit	1	
*	4229480	• Key	1	
*	4229481	• Nut	1	
*	4229482	• Nut Retainer	1	
3	008154380	PTO Gear Box 3:1	1	
3a	008154370	Splined Adapter	1	
4	450193	Screw - Hex M8 x 30	4	
5	450411	Lockwasher - M8 x 12.75 x 2	4	
6	450241	Screw - Hex M12 x 30	4	
7	450413	Lockwasher - M12 x 17.9 x 2.5	4	
8	4161944	Plate	1	
9	002410079	FTG - M/M 7/8 Orfs x 7/8 SAE	1	
10	4166341	Guard	1	
*	MBC1 586	Plate	4	to clamp item 8 to frame
*	451810510	Bolt	4	MBB2559
*	001332105	Stiffnut M10	4	
*	001500108	Washer 10mm	4	

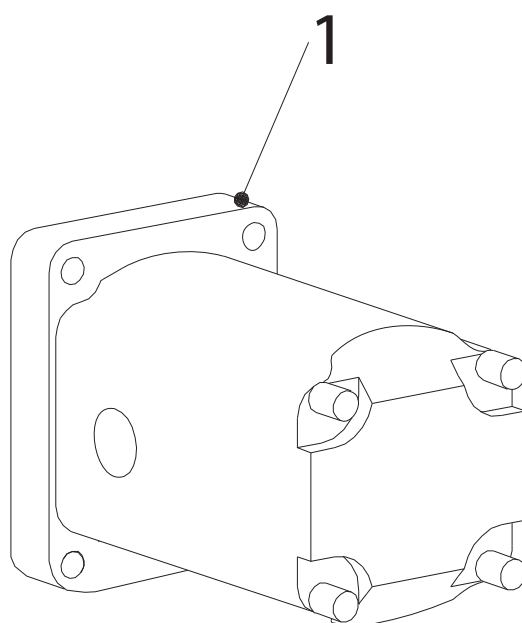
8B GEARBOX



ITEM	PART NO.	DESCRIPTION	QTY.	REMARKS
*	008154380	Gearbox Hydra-App ML52	1	ML52-1-1/3-C2
	008154370	Coupling	1	BF3/2
1		Front Cover	1	
2	4125800	Breather	1	49101700
3	4125801	PVC Gasket	3	39207100
4	4125802	Sight Glass	1	49100500
5	4125803	Drain Plug	1	49100700
6	4125819	Paper Gasket	1	39205000
7	4125820	Input Shaft Seal	1	44103100
8	4125821	Input Shaft Bearing	2	44001200
9	4125822	Circlip	1	42201200
10	4125827	Key	1	43201100
11	4125828	Male Shaft	1	34201900
12		Crown Gear	1	
13	4125829	Output Shaft Bearing	2	44000300
14		Pinion Gear - Output Shaft	1	
15	4125830	Output Shaft Seal	1	44102200
16		Rear Cover	1	
17	4125832	Dowel Pin	AR	43000300
18	4125833	Bolt	AR	40007400

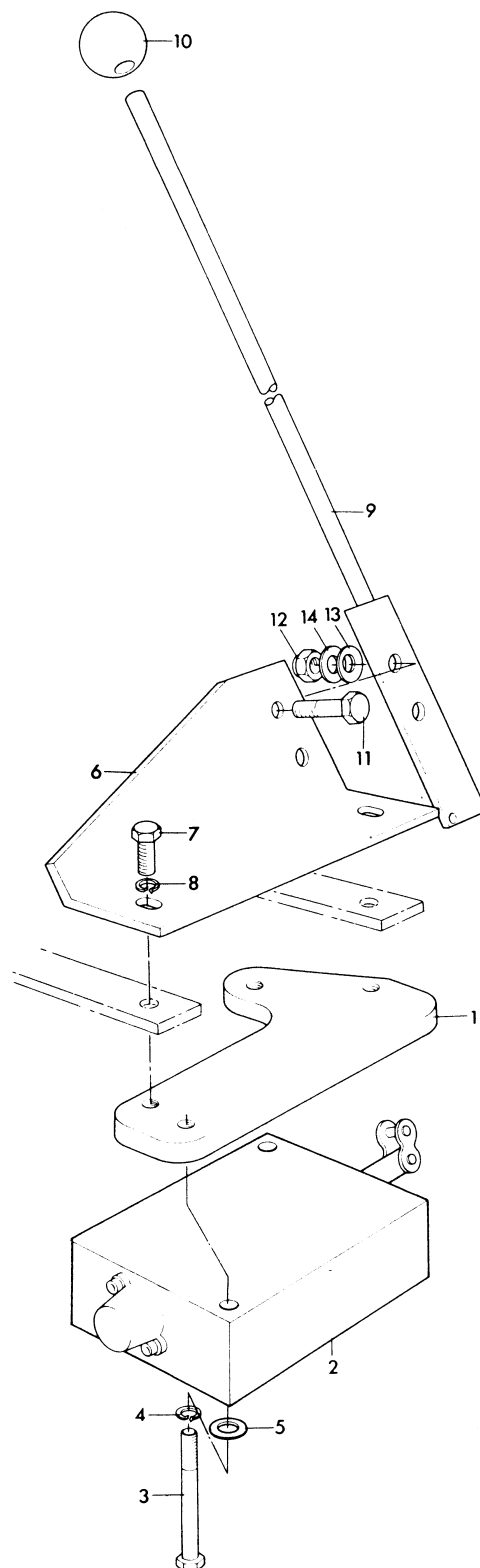


ITEM	PART NO.	DESCRIPTION	QTY.	REMARKS
	00809600	Pump	1	
1	N/A	Shaft Seal		
2	N/A	Circlip		
3	N/A	Tab Washer		
4	N/A	Nut		
5	N/A	Lockwasher		
6	N/A	Nut		
7	N/A	Cover		
8	++	Sealing Ring		
9	++	Pressure Loading Ring		
10	N/A	Hollow Dowel		
11	N/A	Body		
13	N/A	Bottom Bearing		
14	N/A	Driven Gear		
15	N/A	Top Bearing		
18	N/A	Flange		
19	N/A	Bolt		
20	N/A	Drive Gear		
22	++	Stuffer Strip		
++	008065210	Seal Kit		



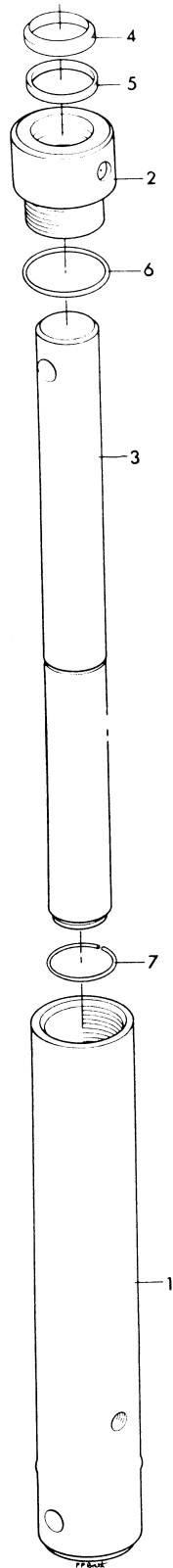
ITEM	PART NO.	DESCRIPTION	QTY.	REMARKS
1	4165700	GEAR PUMP	1	ROQUET 1L27DE10S-RM1
*	4222140	• Seal Kit	1	

10 CONTROL VALVE and MOUNTING



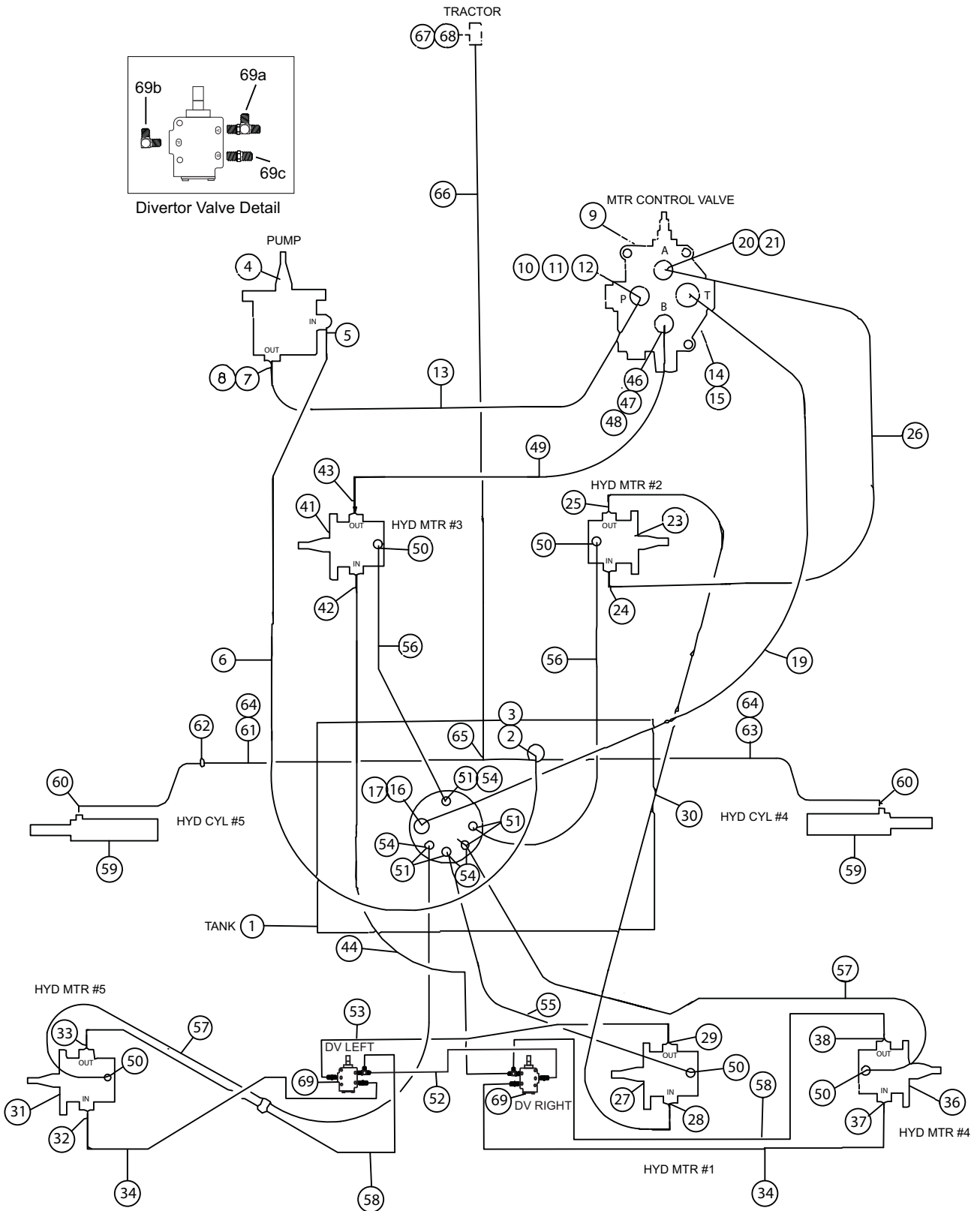
ITEM	PART NO.	DESCRIPTION	QTY.	REMARKS
1	4292851	Plate	1	
2	4282671	Control Valve (See Page 27)	1	
3	001003148	Bolt M8 X 70	2	
4	001510088	S.l.washer 8mm	2	
5	001500085	Washer 8mm	4	
6	Mbb5046	Valve Bracket	1	
7	001103051	Screw M8 X 25	2	
8	001510088	S.l.washer 8mm	2	
9	Mbb6502	Rod Assembly	1	
10	002990154	Ball Knob	1	
11	001004071	Bolt M1o X 35	1	
12	001332105	Stiffnut M1o	1	
13	002921214	Disc Spring	1	
14	001500108	Washer 10mm	1	
*	4293331	Complete Seal Kit For 4282671		
*	•4293332	Spool Seal Kit 4282671		
*	•293333	Relief Valve 4282671		
*	•4293334	Detent Control Assm 4282671		
*	•4293335	Relief Valve Seal Kit 4282671		
		LMSE207		
		Replaces Valve 4245350 And Mounting Plate 4236682.		
*	4293131	Control Valve And Plate Assembly	1	
*	•4292851	Mounting Plate	1	
*	•4282671	Control Valve	1	
*	•450025	Bolt-hex M8 X 85	3	
*	•450390	Washer-m8 X 17 X 1.8	3	
*	•450411	Lockwshr-m8 X 12.75 X 2	3	
*	•2492172	Ftg-3/4 Bsp X 7/8 Jic	1	

11 HYDRAULIC CYLINDER

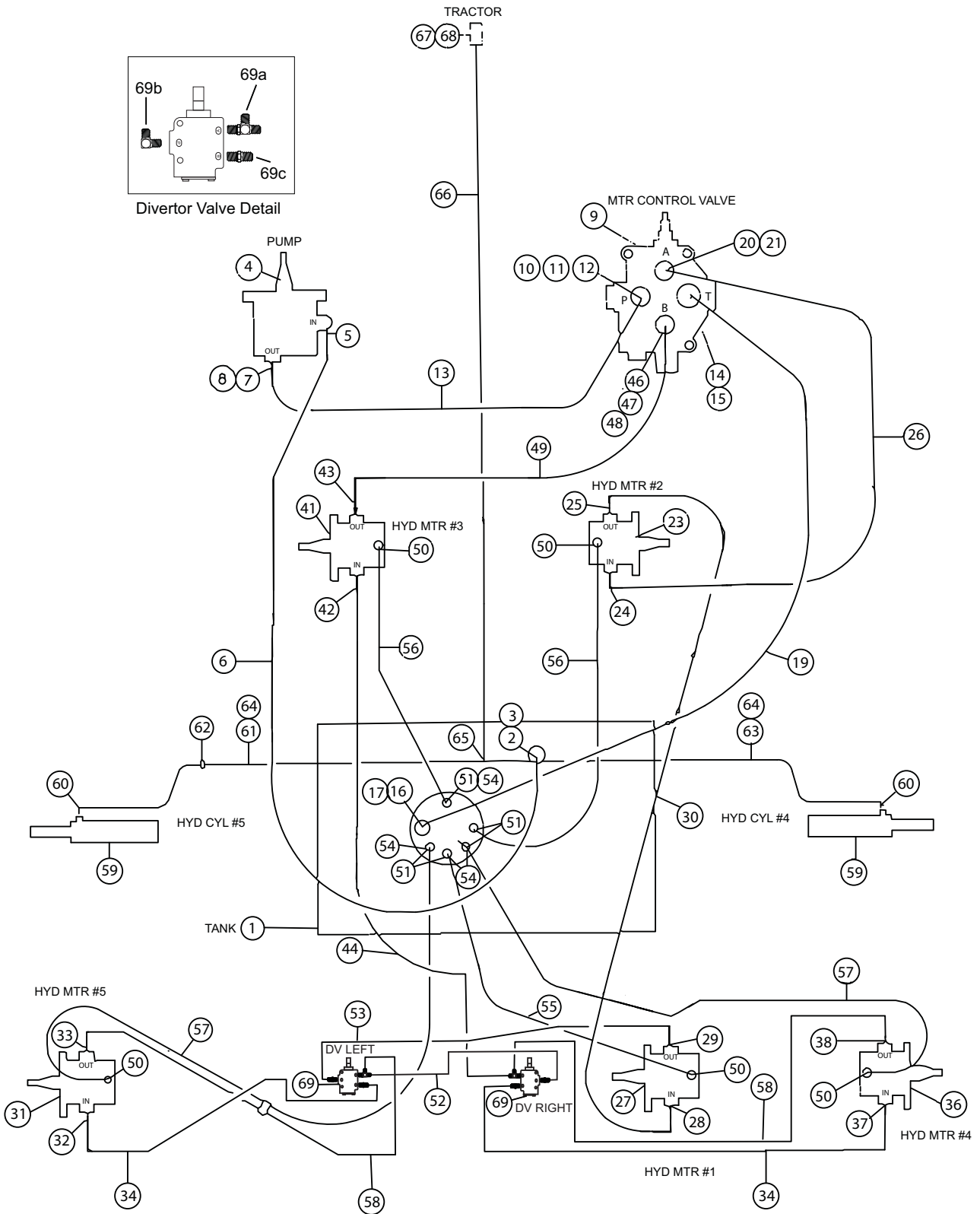


ITEM	PART NO.	DESCRIPTION	QTY.	REMARKS
	A902715	(A H GARNER) Hydraulic Cylinder		To S/N LFxxxxxx, LGxxxxxx and RMxxxxxx
1		Cylinder	1	
2		Gland	1	
3	A902614	Piston Rod	1	
4	H015100	Wiper Seal	1	
5	H019055	S.A.Seal	1	
6	A221216	O Ring	1	
7	GSF1058AY	Snap Ring	1	
		(WRAYDENT ENG.)		
	A902715	Hyd. Cylinder 1"	1	
1		Cylinder	1	
2		Gland	1	
3	A902619	Piston Rod	1	
4	H015100	Wiper Seal	1	
5	H019055	S.A.Seal	1	
6	A221027	O Ring	1	
7	A179909	Snap Ring	1	

12 HYDRAULIC LAYOUT

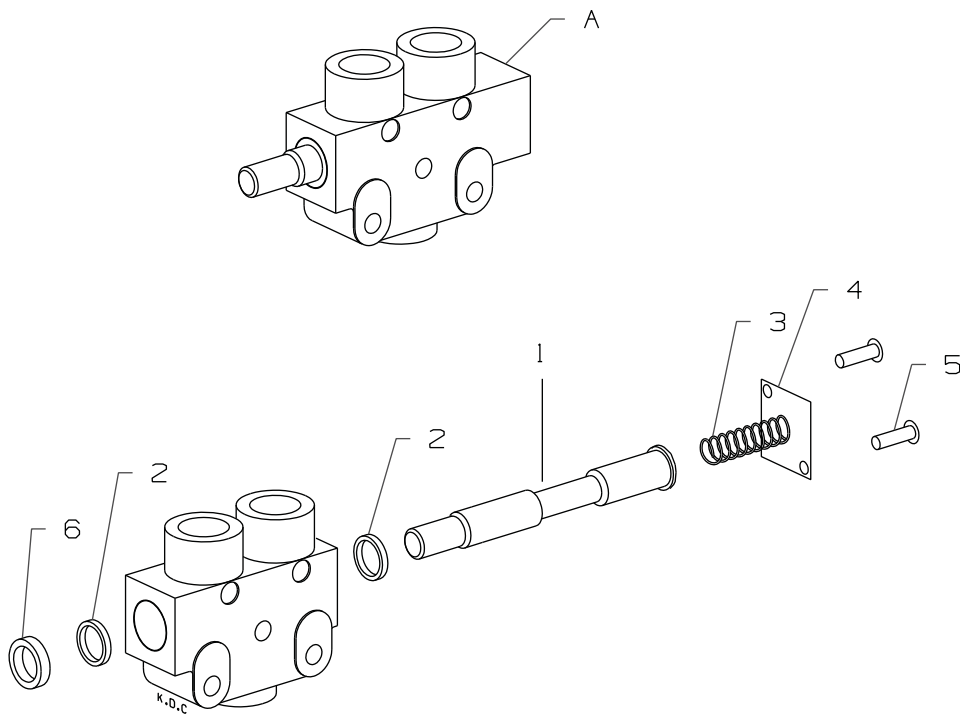


ITEM	PART NO.	DESCRIPTION	QTY.	REMARKS
1	MB85987	Tank	1	
2	G5F2570AH	Adaptor	1	
3	4165700	Pump	1	For Use With Gearbox 008154380
*	4222140	• Seal Kit	1	
3	H014024	Seal	1	
4	LMSD844	Pump Assy.	1	
*	H200492	• Seal Kit (Dowty)	1	
5	4166640	Fitting-90-M/M 1-5/16 JIC x 1-5/16 SAE	1	For Use With Gearbox 008154380
5	A240067	Adaptor	1	
6	A791801	Hose	1	
*	4166621	Hose	1	For Use With Gearbox 008154380
7	002410079	FTG - M/M 7/8 Orfs x 7/8 SAE	1	For Use With Gearbox 008154380
7	A240007	Adaptor	1	
8	A241407	Elbow	1	
9	A802833	Valve	1	
10	GSF2571AT	Adaptdr	1	
11	A229978	Seal	1	
12	A242407	Elbow	1	
13	MBA6O74A	Hose	1	
*	4166620	Hose	1	For Use With Gearbox 008154380
14	GSF2571AW	Adaptor	1	
15	A229980	Seal	1	
17	GSF2S71AT	Adaptor	1	
18	A229978	Seal	1	
19	M8A6077A	Hose	1	
20	GSF257IAT	Adaptor	1	
21	A229978	Seal	1	
23	A809203	Hydraulic Motor Unit No.2	1	
24	A241007	Elbow	1	
25	A241007	Elbow	1	
26	MBA6O77A	Hose	1	
27	A809204	Hydraulic Motor Unit No.1	1	
28	A241007	Elbow	3	
29	A241007	Elbow	1	
30	MBB5043	Hose	1	
31	A809204	Hydraulic Motor Unit No.5	1	
32	A241007	Elbow	1	
33	A241007	Elbow	1	
34	4121433	Hose	2	
35	H980407	Clip	1	
36	A809203	Hydraulic Motor Unit No.4	1	
37	A241007	Elbow	1	
38	A241007	Elbow	1	
40	H980407	Clip	1	

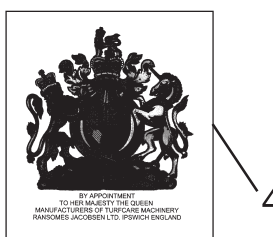
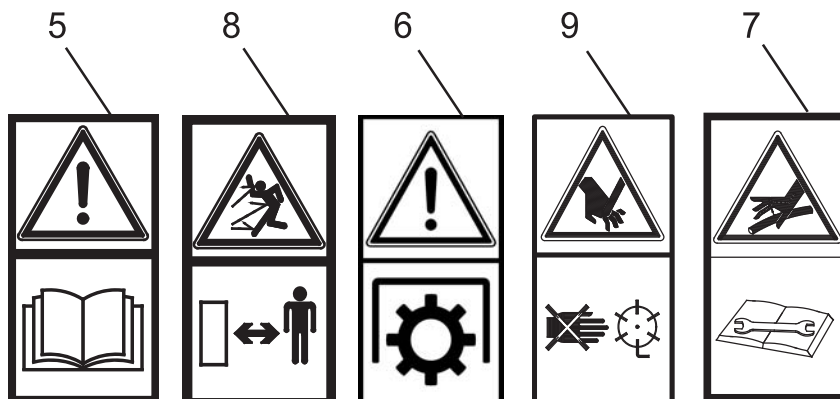


ITEM	PART NO.	DESCRIPTION	QTY.	REMARKS
41	A809204	Hydraulic Motor Unit No.3	1	
42	A241007	Elbow	1	
43	A241007	Elbow	1	
44	007251690	Hose	1	
45	H980407	Clip	1	
46	GSF2S71AT	Adaptor	1	
47	A229978	Seal	1	
48	A242407	Elbow	1	
49	MB35043	Hose	1	
50	A241003	Elbow	5	
51	A240003	Adaptor	5	
	A225704	Sealing Washer	5	
52	4121446	Hose	1	
53	4121477	Hose	1	
55	MB83034	Hose	1	
56	M385044	Hose	2	
57	14883262	Hose	2	
58	4121444	Hose	2	
*	H980407	Clip	2	
*	H980031	Clip	2	
*	A150010	Washer 10mm	2	
*	A110406	Screw M10 x 30	2	
*	A133210	Stiffnut MIO	2	
59	A902710	Hydraulic Cylinder	2	
60	A241003	Elbow	2	
61	007121603	Hose	1	
62	H980031	Clip	1	
63	007121001	Hose	1	
64	A199203	Cable Tie	2	
65	A243234	Tee	1	
66	007131208	Hose	1	
67	H290101A	Q.R.Coupling	1	
68	GSF2571AG	Adaptor	1	
*	A229978	Seal	1	
*	H980407	Clip (large)	1	
*	H980016	Clip (Small)	1	
*	A110406	Screw MIO x 30	1	
*	A133210	Stiffnut 1410	1	
69	008012290	Divertor Valve	2	
69A	002431071	Tee Fitting - 7/16" SAE x 9/16" Ofs	2	
69B	002410079	Elbow 7/16" SAE x 9/16" Orfs	2	
69C	002400076	Str Fitting - 7/16" SAE x 9/16" Ofs	2	

13 PARKER VALVE



ITEM	PART NO.	DESCRIPTION	QTY.	REMARKS
A	008012290	Divertor Valve	1	
1		• Circlip	2	
2	+	• 'o' ring seal	2	
3		• SPRING - COIL	1	
4		• SPRING END CAP	1	
5		• SCREW	2	
6	+	• WIPER SEAL	1	
7	N/A	• BODY	1	
8	N/A	• Spool	1	
+	00230123	Seal Kit	AR	



ITEM	PART NO.	DESCRIPTION	QTY.	REMARKS
1	IDL130 4125607	DECAL KIT - HYD 5 • Decal - Hyd. 5	1	
2	4125605	• Decal - Ransomes 10"	2	
3	19006062	• Decal - Cylinder Rotation	1	MBB5033
4	009036216	• Label - Coat Of Arms	1	
5	009034910	• Decal - Instruction	4	
6	009114110	• Decal - PTO	1	
7	009034930	• Decal - Hyd Press Leak	2	
8	009034890	• Decal - Bystander Warning	2	
9	009034940	Decal - Caution	3	Sharp Blades



Ransomes Jacobsen Limited
West Road, Ransomes Europark, Ipswich, IP3 9TT
English Company Registration No. 1070731
www.ransomesjacobsen.com

Jacobsen, A Textron Company
11108 Quality Drive, Charlotte,
NC 28273, USA
www.Jacobsen.com