



Parts Manual

Ransomes Highway 3™ Ride on Reel Mower

Highway 3 - 4 Wheel Drive
Series: GF
Product code: LGEA340

Highway 3 - 2 Wheel Drive
Series: GU
Product code: LGEA320

WARNING

WARNING: If incorrectly used this machine can cause severe injury. Those who use and maintain this machine should be trained in its proper use, warned of its dangers and should read the entire manual before attempting to set up, operate, adjust or service the machine.

Ransomes Jacobsen Limited reserves the right to make design changes without obligation to make these changes on units previously sold and the information contained in this manual is subject to change without notice.

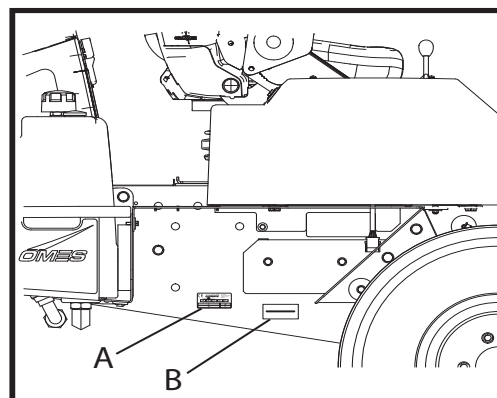
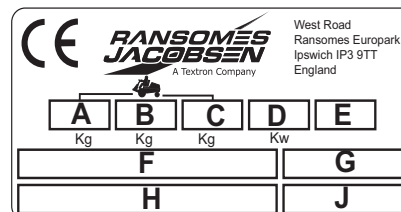
DESCRIPTION	PAGE	DESCRIPTION	PAGE
CHASSIS.....	4	ENGINE HOOD MOUNTING	102
4WD REAR AXLE	6	LOWER COVER	104
2WD REAR AXLE	10	SEAT AND MOUNTING	106
FRONT UNIT MOUNTING.....	12	SEAT PLATE GAS STRUT	108
CENTRE UNIT MOUNTING	14	SEAT, GRAMMER MSG 75 (4164150)	110
CENTRE UNIT MOUNTING	16	SEAT, GRAMMER MSG 85 (4140320)	112
CUTTING CYLINDER DRIVE MOTORS	18	SEAT, GRAMMER MSG 95	118
BULKHEAD	20	SEAT, GRAMMER MSG 95	120
JUMP START CONNECTOR.....	22	ARMREST	124
BUMPER AND NAMEPLATE.....	24	ASSEMBLY - ARMREST POD	126
PLATFORM.....	26	TRACTION PEDAL	128
PLATFORM	28	INSTRUMENT PANEL	132
ROPS & HARD POINT (ISO21299).....	32	OPERATOR PANEL ASSEMBLY (COMPLETE)	134
ROPS & HARD POINT (OECD code 4).....	36	DECALS - HIGHWAY 3	136
TOOLBOX.....	40	HYDRAULIC CIRCUIT.....	138
FUEL TANK - FITTED ASSEMBLY	42	HYDRAULIC FRONT BULKHEAD	142
FUEL TANK AND MOUNTING FRAME	44	SPORT 200 - CUTTING CYLINDERS AND BOTTOM BLOCK AS- SEMBLIES	144
HYDRAULIC TANK - FITTED ASSEMBLY	46	SPORT 200 LITE - BEARING HOUSING (DRIVE SIDE) 146	
HYDRAULIC TANK AND MOUNTING FRAME	48	SPORT 200 LITE - BEARING HOUSING (NON-DRIVE SIDE) 148	
BATTERY TRAY	50	SPORT 200 LITE - CYLINDER ADJUSTER (HAND)	150
FRONT WHEELS AND MOTORS (POCLAIN)	52	SPORT 200 LITE - CYLINDER ADJUSTER (SPANNER) 152	
FRONT WHEELS AND MOTORS (SAUER-DANFOSS) 56		SPORT 200 LITE - MAINFRAME	154
FRONT WHEEL MOTOR, DANFOSS (4130773).....	58	SPORT 200 LITE - REAR ROLL ADJUSTER (SPANNER) 156	
REAR WHEEL AND MOTOR	60	SPORT 200 LITE - FRONT ROLL MOUNTING	158
REAR WHEEL MOTOR, DANFOSS (4139426)	62	SPORT 200 LITE - SKID MOUNTING (FIXED HEAD UNITS) 160	
PUMPS	64	SPORT 200 LITE - FIXED HEAD MOUNTING	162
TRANSMISSION PUMP, SAUER DANFOSS (4162660) 68		SPORT 200 LITE - FLOATING HEAD MOUNTING	164
LIFT VALVE	70	SPORT 200 LITE - DEFLECTOR LH 1.....	166
LIFT VALVE (4198280)	72	SPORT 200 LITE - DEFLECTOR RH	168
CUTTER VALVE '	74	SPORT 200 LITE - CENTRE DEFLECTOR	170
CUTTER VALVE (4198281)	76	SPORT 200 LITE - LH CUTTING UNIT PIN	172
SPEED CONTROL VALVE (4209040).....	78	SPORT 200 LITE - RH CUTTING UNIT PIN	174
BRAKE VALVE	80	SPORT 200 LITE - CENTRE UNIT STOPS.....	176
BRAKE VALVE (4201021)	82	SPORT 200 LITE - DECALS	178
4WD TRANSMISSION VALVE	84	LMAC465 KIT - STORAGE RACKS	180
2WD TRANSMISSION VALVE	86	LMAC392 KIT-STORAGE BOX	182
HYDRAULIC FILTER MOUNTING.....	88	LMAC466 - KIT-LIGHTS & MIRRORS	184
FRONT HYDRAULIC BULKHEAD.....	90	2LMAC383 - KIT-BEACON	186
ENGINE AND MOUNTING	92	LMAC396 - KIT-MOW MODE SWITCH	188
TURBO ENGINE EXHAUST	94		
RADIATOR.....	96		
AIR CLEANER MOUNTING.....	100		

INTRODUCTION

PRODUCT IDENTIFICATION

2.2 PRODUCT IDENTIFICATION

- A Maximum front axle load in Kg (for machines being driven on the highway)
- B Gross weight (mass) in Kg
- C Maximum rear axle load in Kg (for machines being driven on the highway)
- D Power in Kw
- E Date code
- F Machine type (Designation)
- G Product code
- H Product name
- J Serial number



Serial Plate Location

The serial plate A is located on the chassis under the operators seating position.

HOW TO USE THE PARTS MANUAL

ITEM NUMBER

Each part which is identified in the illustrations has an item number. Parts which do not have an item number may not be readily identified in the illustration but are usually closely associated with the immediately adjacent part.

ASSEMBLIES

A complete assembly, e.g. a wheel motor or hydraulic motor or roll assembly, is listed as a complete item with subsequent individual components listed separately.

The assembly is listed under it's part number with component parts being listed offset to the right, e.g:-

ITEM	PART NO.	DESCRIPTION	QTY	REMARKS
4295	MBG2504	Bracket	1	
4296	MBG3848	Latch	2	
4298	450865	Screw, M8 X 20, Sckt Csk Hd	2	
4300	450378	Nut, M8 Nyloc	2	
4301	WI001	Set Of Wheels	1	
4301.1	008162130	• Wheel & Hub Assy	1	(Rear)
4301.2	008170390	•• Tyre	1	
4301.3	008161830	•• Rim	1	
4301.4	008169140	•• Hub Assy.	1	
4301.5	008169150	•• Cap	1	
4301.6	002993010	•• Lubricator	1	
4301.7	008161990	• Wheel & Tyre	2	(Front)
4301.8	008170780	•• Tyre	2	
*	24881G	Safety, Ops and Maintenance Manual	1	

It may not be possible to illustrate every item. With certain items purchased from outside suppliers some component parts may not be available from Ransomes and may need to be specially ordered from the supplier.

QUANTITIES

Quantities shown are for one assembly or sub-assembly.

USING THE PARTS LIST

Determine the function and application of the part required. Turn to the main index page and select the appropriate section. Locate the part on the illustration and parts list and read off the quantity from the appropriate MODEL column.

NUMERICAL INDEX

This is a summary of all part numbers used in the manual arranged in numerical sequence and showing the page and item number under which the parts appear.

ORDERING OF SPARE PARTS

When ordering replacement parts, it is most important to quote the SERIAL NUMBER of the machine, PART NUMBER, DESCRIPTION and QUANTITY required.

Any arbitrary modifications carried out on this machine may relieve the manufacturer of liability for any resulting damage or injury.

ABBREVIATIONS

N/A Not Available
AR As Required

GUIDELINES FOR THE DISPOSAL OF SCRAP PRODUCTS

DURING SERVICE LIFE

Used oil, oil filters and engine coolant are hazardous materials and should be handled in a safe and environmentally responsible way.

In the event of a fluid leak, contain the spill to prevent it entering the ground or drainage system. Local legislation will dictate how such spills are to be treated.

Following the maintenance procedures laid out in this manual will ensure that the impact the machine has on the local environment is controlled.

When it has been identified that a turf care product has no further functional value and requires disposal, the following actions should be taken.

END OF SERVICE LIFE

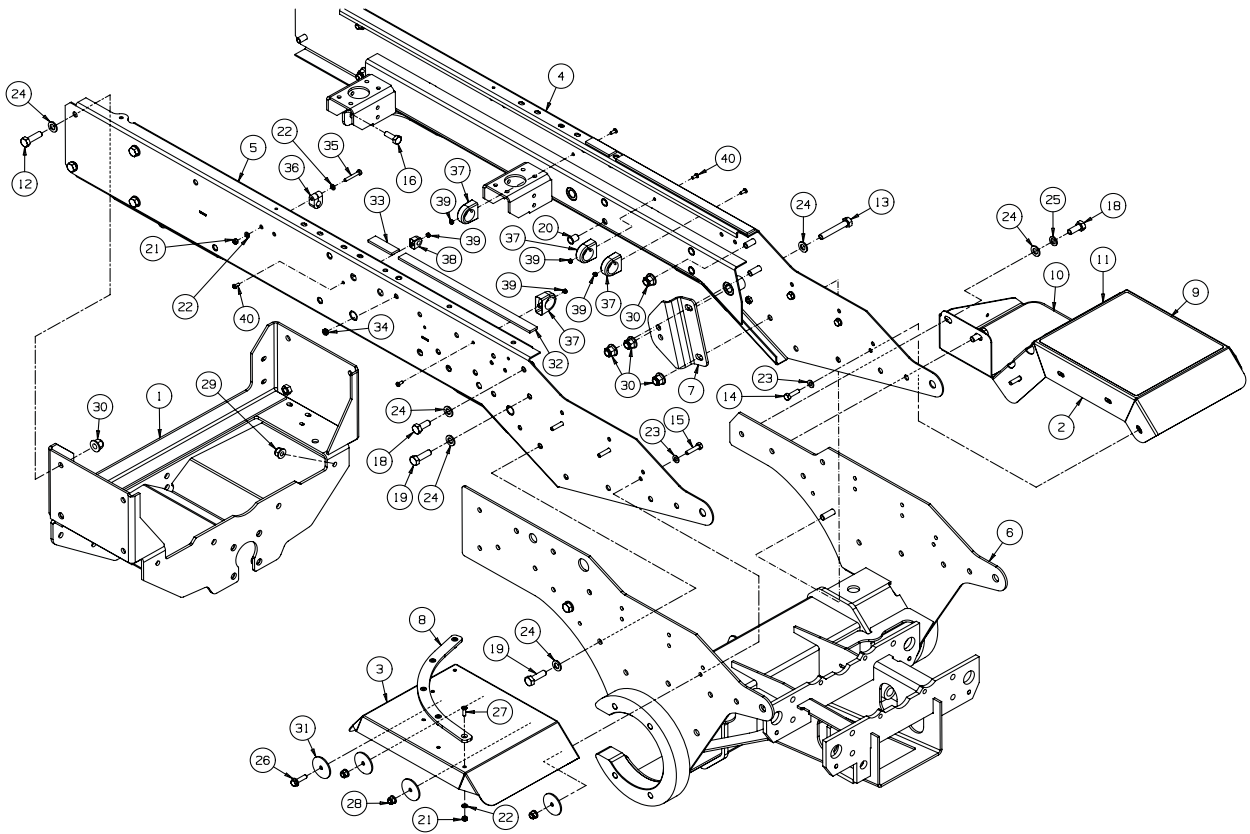
These guidelines should be used in conjunction with applicable Health, Safety and Environmental legislation and use of approved local facilities for waste disposal and recycling.

- Position the machine in a suitable location for any necessary lifting equipment to be used.
- Use appropriate tools and Personal Protective Equipment (PPE) and take guidance from the technical manuals applicable to the machine.
- Remove and store appropriately:
 1. Batteries
 2. Fuel residue
 3. Engine coolant
 4. Oils
- Disassemble the structure of the machine referring to the technical manuals where appropriate. Special attention should be made for dealing with 'stored energy' within pressurised elements of the machine or tensioned springs.
- Any items that still have a useful service life as second hand components or can be re-serviced should be separated and returned to the relevant centre.
- Other worn out items should be separated into material groups for recycling and disposal consistent with available facilities. More common separation types are as follows:
 - Steel
 - Non ferrous metals
 - Aluminium
 - Brass
 - Copper
 - Plastics
 - Identifiable
 - Recyclable
 - Non recyclable
 - Not identified
 - Rubber
 - Electrical & Electronic Components
- Items that cannot be separated economically into different material groups should be added to the 'General waste' area.
- Do not incinerate waste.

Finally update machinery records to indicate that the machine has been taken out of service and scrapped. Provide this serial number to Ransomes Jacobsen Warranty department to close off relevant records.

CHASSIS

Illustration Number: 4192980-4



CHASSIS

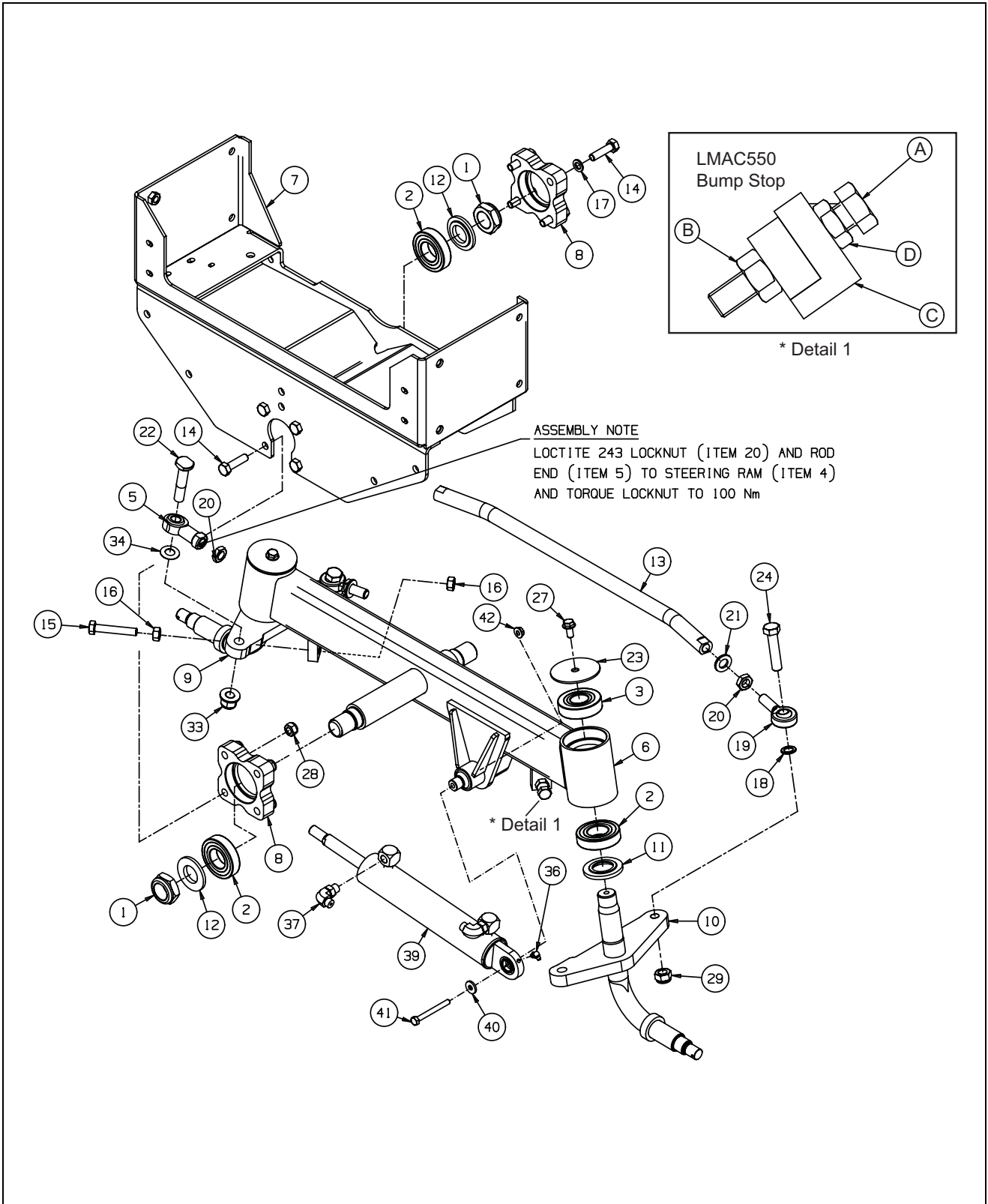
ITEM	PART NO.	DESCRIPTION	QTY	
1	4200180	Wldmt-Rear Frame	1	
2	4220180	Wldmt-Mudguard LH	1	
3	4212424	Wldmt-Mudguard RH	1	
4	4190500	Wldmt-Frame Rail LH	1	
5	4190501	Wldmt-Frame Rail RH	1	
6*	4205860	Wldmt-Front Axle	1	For Sauer-Danfoss Wheel Motors
6	4271090	Wldmt-Front Axle	1	For Poclain Wheel Motors
7	4192920	Bracket-Chassis	2	
8	4198640	Pad-Swing Out Arm	1	
9	4213500	Anti-Slip, LH Mudguard Top	1	
10	4213501	Anti-Slip, LH Mudguard Step	1	
11	4268421	Anti-Slip, LH Mudguard Slope	1	
12	450048	Bolt-Hex M12 x 40	4	
13	450055	Bolt-Hex M12 x 75	2	
14	450193	Screw-Hex M8 x 30	3	
15	450194	Screw-Hex M8 x 35	3	
16	450215	Screw-Hex M10 x 30	2	
17	450240	Screw-Hex M12 x 25	1	
18	450241	Screw-Hex M12 x 30	4	
19	450243	Screw-Hex M12 x 40	4	
20	450369	M8 Nutsert	6	
21	450377	Nut-Hex M6 Nyloc	6	
22	450389	Washer-M6 x 12.5 x 1.8	7	
23	450390	Washer-M8 x 17 x 1.8	6	
24	450392	Washer-M12 x 24 x 2.7	6	
25	450424	LockWasher-M12 x 21 x 2.65	5	
26	450473	Screw-Hex M8 x 30 Verbus Ripp	2	
27	450620	Screw-Csk M6 x 20	5	
28	452436	Nut-Hex M8 Fing Nyloc	6	
29	452437	Nut-Hex M10 Fing Nyloc	2	
30	452438	Nut-Hex M12 Fing Nyloc	4	
30A*	4273470	Anti Vibration Washer 13 x 19.5 x 2.4	4	
31	MBC1697	Washer-8.33 x 50.8 x 3	8	
32	4221862	Rubber Strip, Front	2	
33	4221863	Rubber Strip, Back	2	
34	4229680	Quick Fit Grommet	1	
35	450003	Bolt-Hex M6 x 40	1	
36	4150297	Single Clamp 12mm	1	
*	4285291	Screw Button M12 x 35 Replaces 2 x 450048 2 x 450241	4	

* Not illustrated

PARTS MANUAL

4WD REAR AXLE

Illustration Number: 4192991-2

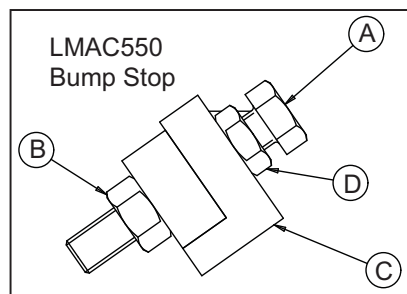
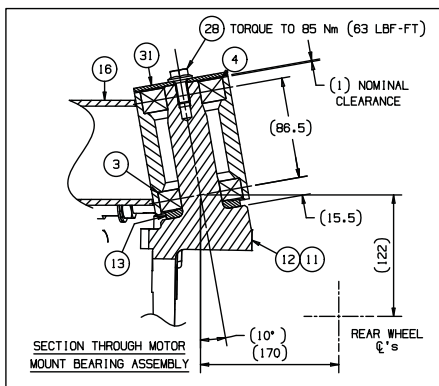
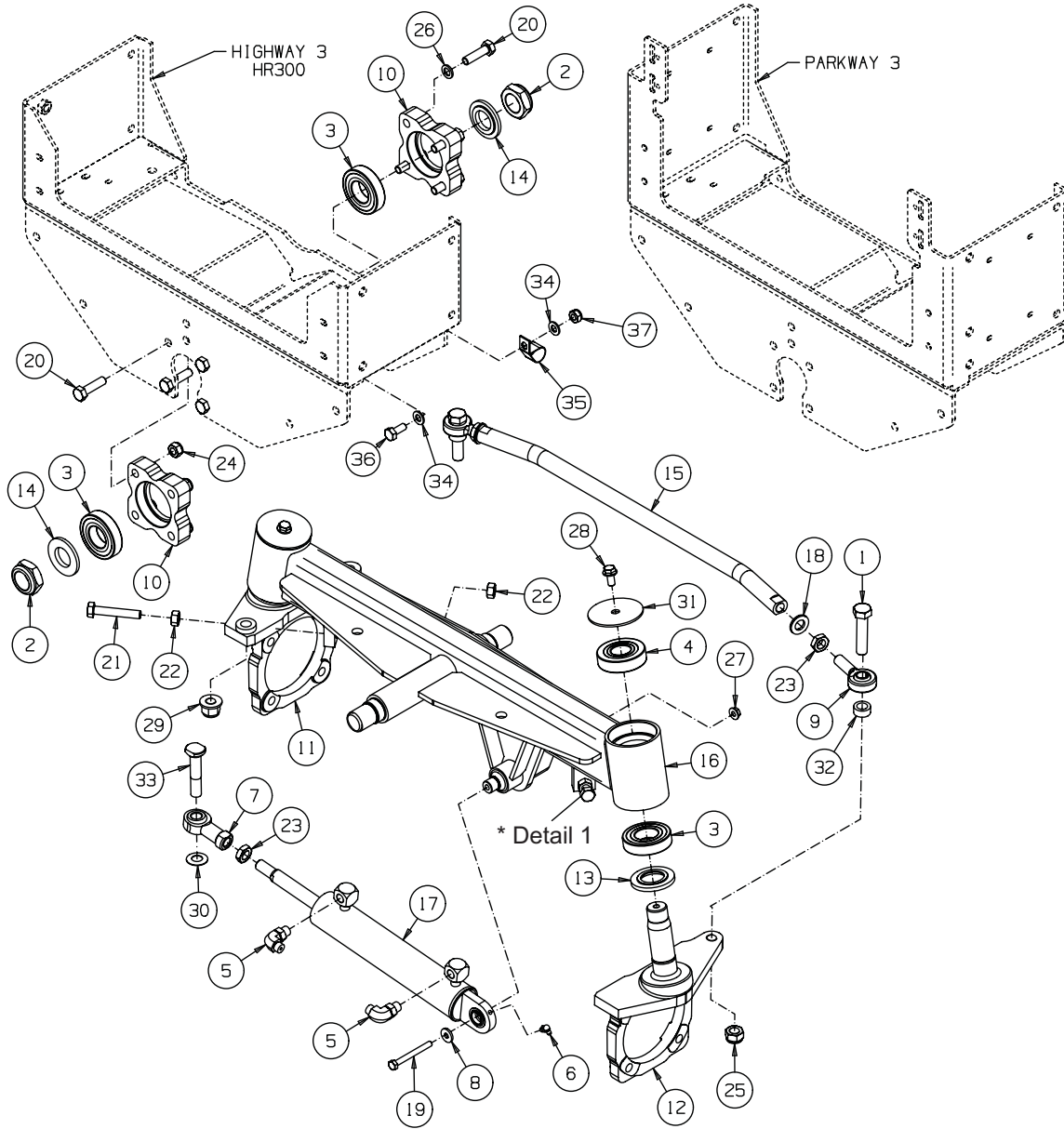


4WD REAR AXLE

ITEM	PART NO.	DESCRIPTION	QTY	
1	001393820	Nut Hex 1.1/4-12 Nyloc	2	
2	002036070	Brg-Ball 35 x 72 x 17	4	
3	002037061	Brg-Ball 30 x 72 x 19	2	
5	4307076	Rod End	1	
6	4196520	Wldmt-Rear Axle	1	From S/N GF000622 GU000305
7	4200180	Wldmt-Rear Frame	1	
8	4200182	Bearing Housing-Rear Axle	2	
9	4200320	Motor Mount LH	1	
10	4200321	Motor Mount RH	1	
11	4200322	Washer-King Pin	2	
12	4200323	Washer-Axle Pivot	2	
13	4200324	Track Rod	1	
14	450049	Bolt Hex M12 x 45	8	
15	450249	Screw Hex M12 x 70	2	
16	450326	Nut Hex M12	4	
17	450424	LockWasher M12 x 21 x 2.65	4	
18	MBF1270A	Spacer-Track Rod End	2	
19	4307075	Rod End	2	
20	450334	Nut Hex M16 Thin	3	
21	MBE1818	Washer-16.5 x 36 x 1	2	To S/N GF000545
21	4244645	AV Washer-17 x 30.7 x 3.4	2	From S/N GF000546
22	MBF1544A	Bolt Motor Mount	1	
23	MBA2397A	Washer-11 x 82 x 3	2	
24	001009740	Bolt Hex M16 x 70	2	
27	450213	Screw Hex M10 x 20	2	To S/N GF000493
27	450477	Screw Hex M10 x 20 Verbus Ripp	2	From S/N GF000494
28	450380	Nut Hex M12 Nyloc	4	
29	450382	Nut Hex M16 Nyloc	2	
31	450412	LockWasher M10 x 15.9 x 2.65	2	To S/N GF000493
33	452439	Nut Hex M16 Flng Nyloc	1	
34	461901564	Sprg-Disc 16 x 31.8 x 1.02	1	
36	002993160	Lubricator M6 x 90°	1	
37	002525010	90 M/M 9/16 ORFS x 9/16 SAE	2	
39	4244292	D/A Hyd Cyl, 45 x 203, Steering	1	From S/N GF000494
*	4291653	Seal Kit for 4244292 Clips for Steering Hose		
40	452101510	Washer M8 x 22 x 3	1	From S/N GF000622 GU000305
41	450023	Bolt Hex M8 x 1.25 x 75	1	From S/N GF000622 GU000305
42	450453	Nut Hex M8 1.25	1	From S/N GF000622 GU000305
*	469016509	Pipe Clip	2	From S/N GF000600
*	450399	Washer M6 C Plain	2	
*	450171	Scew Hex M6 x 20	2	
*	450358	Nutsert M6 x 17.3	2	
		To S/N GF000621 GU000304		
*	001399032	Nut Hex 1/2-20 Nyloc	1	
*	2203049	Bushing-Steering Ram	1	
*	450392	Washer M12 x 24 x 2.7	2	
*	451030683	Bolt Hex 1/2-20 x 3	1	
*	461901679	Sprg-Disc 13 x 28 x 1	4	
*	008015010	Steering Cylinder	1	
*	002300820	• Seal Kit	1	
A	See 15		1	From S/N GF000670 GU000305
B	See 16		1	
C	4306495	L - Stop Block	1	
D	450333	Nut Hex M12 x 1.75	1	

4WD REAR AXLE FROM S-N GF000659 GU000305

Illustration Number: 4230447-2_Common_Rear_Axle.eps



* Detail 1

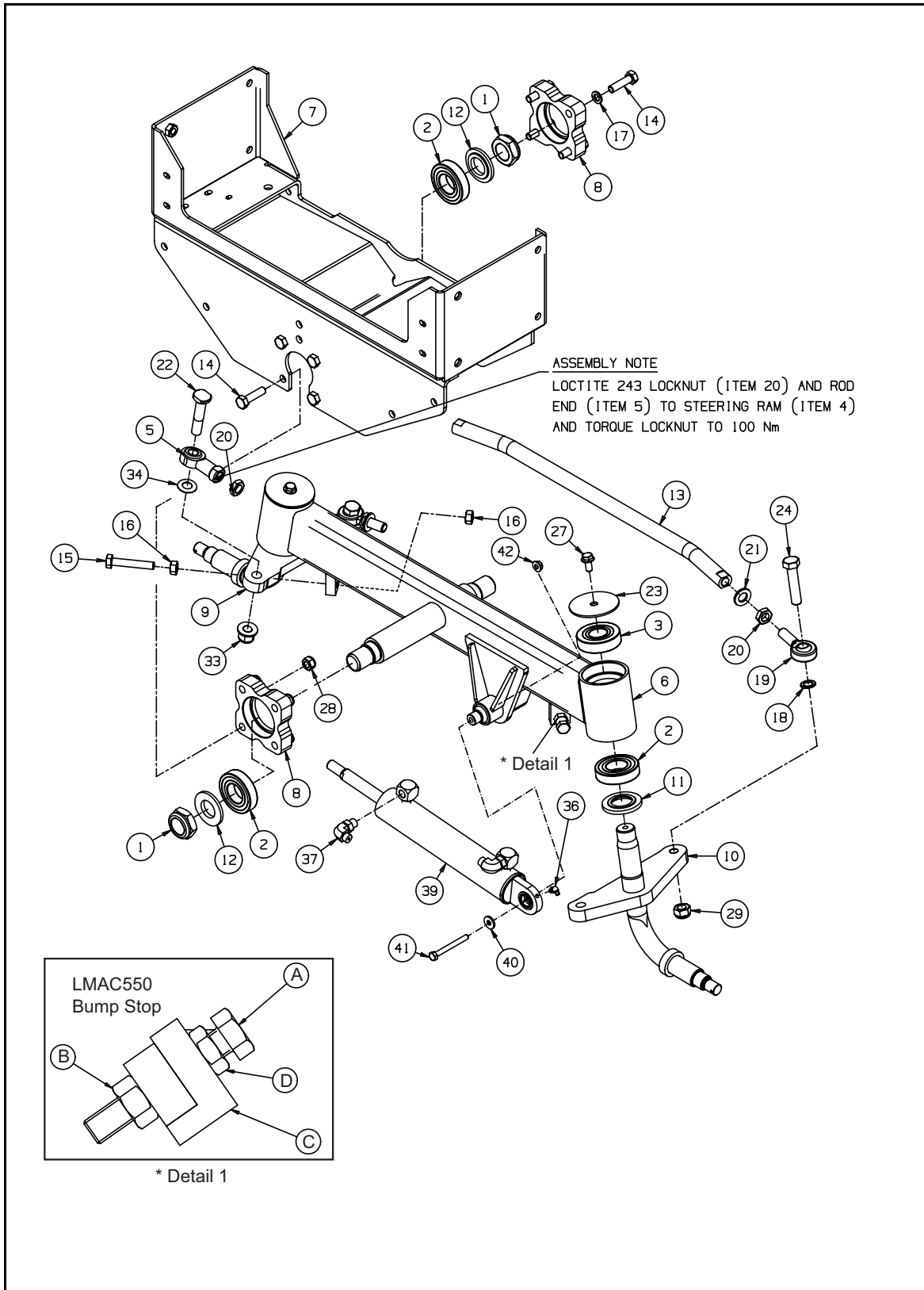
4WD REAR AXLE FROM S-N GF000659 GU000305

ITEM	PART NO.	DESCRIPTION	QTY	
1	001009740	Bolt Hex M16-2 X 70	2	
2	001393820	Nut Hex 1-1/4-12 Nyloc	2	
3	002036070	Brg-ball 35 X 72 X 17 (6207-2rs)	4	
4	002037061	Brg-ball 30 X 72 X 19 (6306-2rs)	2	
5	002525010	90 M/m 9/16 Ors X 9/16 Sae	2	
6	002993160	Lubricator M6 X 90	1	
7	4307076	Rod End	1	
8	009072070	Washer M8 X 22 X 3	1	
9	4307075	Rod End	2	
10	4200182	Bearing Housing-rear Axle	2	
11	4200320	Motor Mount LH	1	
12	4200321	Motor Mount RH	1	
13	4200322	Washer-king Pin	2	
14	4200323	Washer-axle Pivot	2	
15	4200324	Track Rod	1	
16	4230497	Wldmt-rear Axle	1	
17	4244292	D/a Hyd Cyl, 20 X 203	1	
18	4244645	Av Washer-17 X 30.7 X 3.4	2	
19	450023	Bolt Hex M8-1.25 X 75	1	
20	450049	Bolt Hex M12-1.75 X 45	8	
21	450249	Screw Hex M12-1.75 X 70	2	
22	450326	Nut Hex M12-1.75	4	
23	450334	Nut Hex M16-2.0	3	
24	450380	Nut Hex M12-1.75 Nyloc	4	
25	450382	Nut Hex M16-2.0 Nyloc	2	
26	450424	LockWasher M12 X 21 X 2.65	4	
27	450453	Nut Hex M8-1.25 Verbus Ripp	1	
28	450477	Screw Hex M10-1.5 X 20, Verbus Ripp	2	
29	452439	Nut Hex M16 Flng Nyloc	1	
30	461901564	Sprg-disc 16 X 31.8 X 1.02	1	
31	Mba2397a	Washer-11 X 82 X 3	2	
32	Mbf1270a	Spacer-t/rod End	2	
33	Mbf1544a	Bolt Motor Mount	1	
34	450391	Washer M10 X 21 X 2.2	4	
35	469016509	P-clip	2	
36	450214	Screw Hex M10-1.5 X 25	2	
37	450379	Nut Hex M10-1.5,	2	
A	See 21		1	From S/N GF000670 GU000305
B	See 22		1	
C	4306495	L - Stop Block	1	
D	450333	Nut Hex M12 x 1.75	1	

PARTS MANUAL

2WD REAR AXLE

Illustration Number: 4193006-2

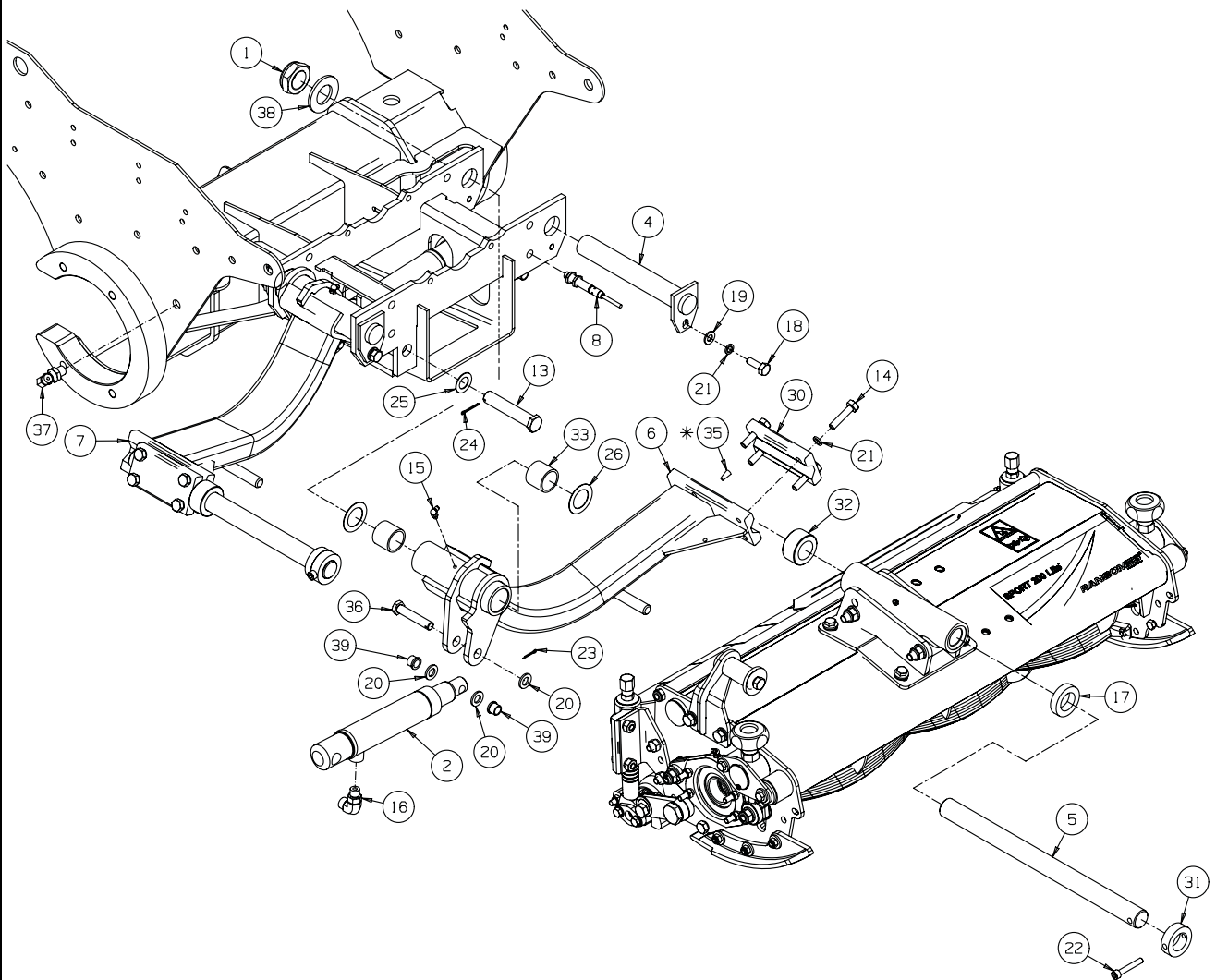


2WD REAR AXLE

ITEM	PART NO.	DESCRIPTION	QTY	
1	001393820	Nut Hex 1.1/4-12 Nyloc	2	
2	002036070	Brg-Ball 35 x 72 x 17	4	
3	002037061	Brg-Ball 30 x 72 x 19	2	
5	4307076	Rod End	1	
6	4196520	Wldmt-Rear Axle	1	From S/N GF000622 GU000305
6	4230497	Wldmnt - Rear Axle	1	From S/N GF000659 GU000305
7	4200180	Wldmt-Rear Frame	1	
8	4200182	Bearing Housing-Rear Axle	2	
9	4214000	Wldmt-Wheel Spindle LH	1	
10	4214540	Wldmt-Wheel Spindle RH	1	
11	4200322	Washer-King Pin	2	
12	4200323	Washer-Axle Pivot	2	
13	4200324	Track Rod	1	
14	450049	Bolt Hex M12 x 45	8	
15	450249	Screw Hex M12 x 70	2	
16	450326	Nut Hex M12	4	
17	450424	LockWasher M12 x 21 x 2.65	4	
18	MBF1688	Spacer-Track Rod End	2	
19	4307075	Rod End	2	
20	450334	Nut Hex M16 Thin	3	
21	MBE1818	Washer-16.5 x 36 x 1	2	To S/N GU000304
21	4244645	AV Washer-17 x 30.7 x 3.4	2	From S/N GU000305
22	MBF1544A	Bolt Motor Mount	1	
23	MBA2397A	Washer-11 x 82 x 3	2	
24	001009740	Bolt Hex M16 x 70	2	
27	450213	Screw Hex M10 x 20	2	To S/N GU000304
27	450477	Screw Hex M10 x 20 Verbus Ripp	2	From S/NGU000305
28	450380	Nut Hex M12 Nyloc	4	
29	450382	Nut Hex M16 Nyloc	2	
31	450412	LockWasher M10 x 15.9 x 2.65	2	To S/N GU000304
33	452439	Nut Hex M16 Flng Nyloc	1	
34	461901564	Sprg-Disc 16 x 31.8 x 1.02	1	
36	002993160	Lubricator M6 x 90°	1	
37	002525010	90 M/M 9/16 ORFS x 9/16 SAE	2	
39	4244292	D/A Hyd Cyl, 45 x 203, Steering	1	From S/N GF000622 GU000305
*	4291653	Seal Kit for 4244292		
40	009072070	Washer M8 x 22 x 3	1	From S/N GF000622 GU000305
41	450023	Bolt Hex M8 x 1.25 x 75	1	From S/N GF000622 GU000305
42	450453	Nut Hex M8 1.25	1	From S/N GF000622 GU000305
		To S/N GU000304 GF000621		
*	001399032	Nut Hex 1/2-20 Nyloc	1	
*	2203049	Bushing Steering Ram	1	
*	450392	Washer M12 x 24 x 2.7	2	
*	451030683	Bolt Hex 1/2-20 x 3	1	
*	461901679	Sprg-Disc 13 x 28 x 1	4	
*	008015010	Steering Cylinder	1	
*	002300820	• Seal Kit	1	
A	See 15		1	From S/N GF000670 GU000305
B	See 16		1	
C	4306495	L - Stop Block	1	
D	450333	Nut Hex M12 x 1.75	1	

FRONT UNIT MOUNTING

Illustration Number: 4192981-3

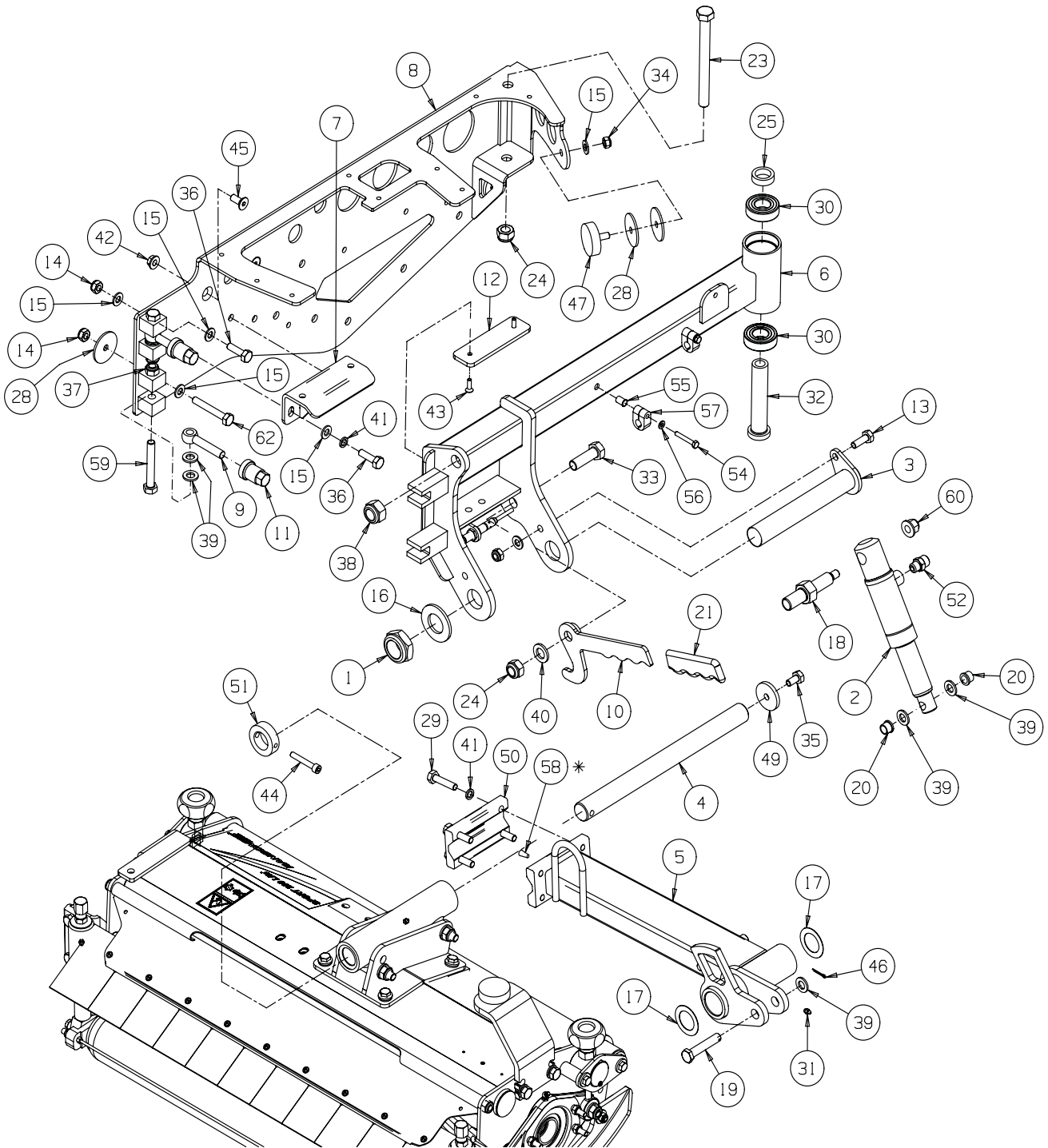


FRONT UNIT MOUNTING

ITEM	PART NO.	DESCRIPTION	QTY.	
1	001393820	Nut-Hex 1.1/4-12 Nyloc	2	
2	4244301	S/A Hyd Cyl, 32 x 137, Lift	2	From S/N GF000494 & GU000305
*	4291654	Seal Kit for 4244301		
3	009027324	Hydraulic Ram	2	To S/N GF000493 & GU000304
3*	002300430	• Seal Kit	1	
4	2206051.07	Weldment-Pivot Pin Rear	2	
5	4117977	Pivot Shaft	2	
6	4237962	Weldment-Lift Arm, Front LH	1	
7	4237963	Weldment-Lift Arm, Front RH	1	
8	4197063	Inductive Sensor	2	
12	4220520	Motor-Cyl Drive	2	
12*	4179500	• Seal Kit	1	
13	4203741	Pivot Pin-Lift Ram	2	
14	001009750	Bolt-Hex M10 x 45	8	
15	002996160	Lubricator-M6 x 90°	2	
16	158006-01	FITTING-ORS/ORB	2	To S/N GF000422, GU000301
16	158007-01	90-M/M 11/16 ORFS x 9/16 SAE	2	From S/N GF000423, GU000302
17	4164280	Collar 30.5 x 50 x 12	2	
18	450215	Screw-Hex M10 x 30	2	
19	450391	Washer-M10 x 21 x 2.2	2	
20	450392	Washer-M12 x 24 x 2.7	6	
21	450412	LockWasher-M10 x 15.9 x 2.65	10	
22	450729	CapScrew-Sckt M8 x 50	2	
23	451241	Split Pin-3.2 x 22	2	
24	454000297	Split Pin-1/8 x 1.1/4	2	
25	548168	Washer-.766 x 1.312 x .047	2	
26	62464-4A	Washer-Thrust 1.250 x 1.937 x .030	4	
30	MBG3772.7	Clamp	2	
31	MBG4592	Collar	2	
32	MBG4653	Collar	2	
33	W108003	Bush-1.1/4 x 1.1/2 x 1.1/4	4	
35	4221920	Plug-Tapered 8.74 x 15.88	2	
36	4222462	Pin-Lift Ram	2	
37	4140337	90 Blkhead-9/16 ORFS	1	
38	452000693	Washer 1.1/4 x 2-3/8 x .176	2	
39	4228440	Bush-Lift Arm	4	To S/N GF000527 & GU000300
39	4252550	Bush-FIng 1/2" x 5/8" x 1/2", Oilite	4	From S/N GF000528 & GU000301

CENTRE UNIT MOUNTING

Illustration Number: 4192982-4

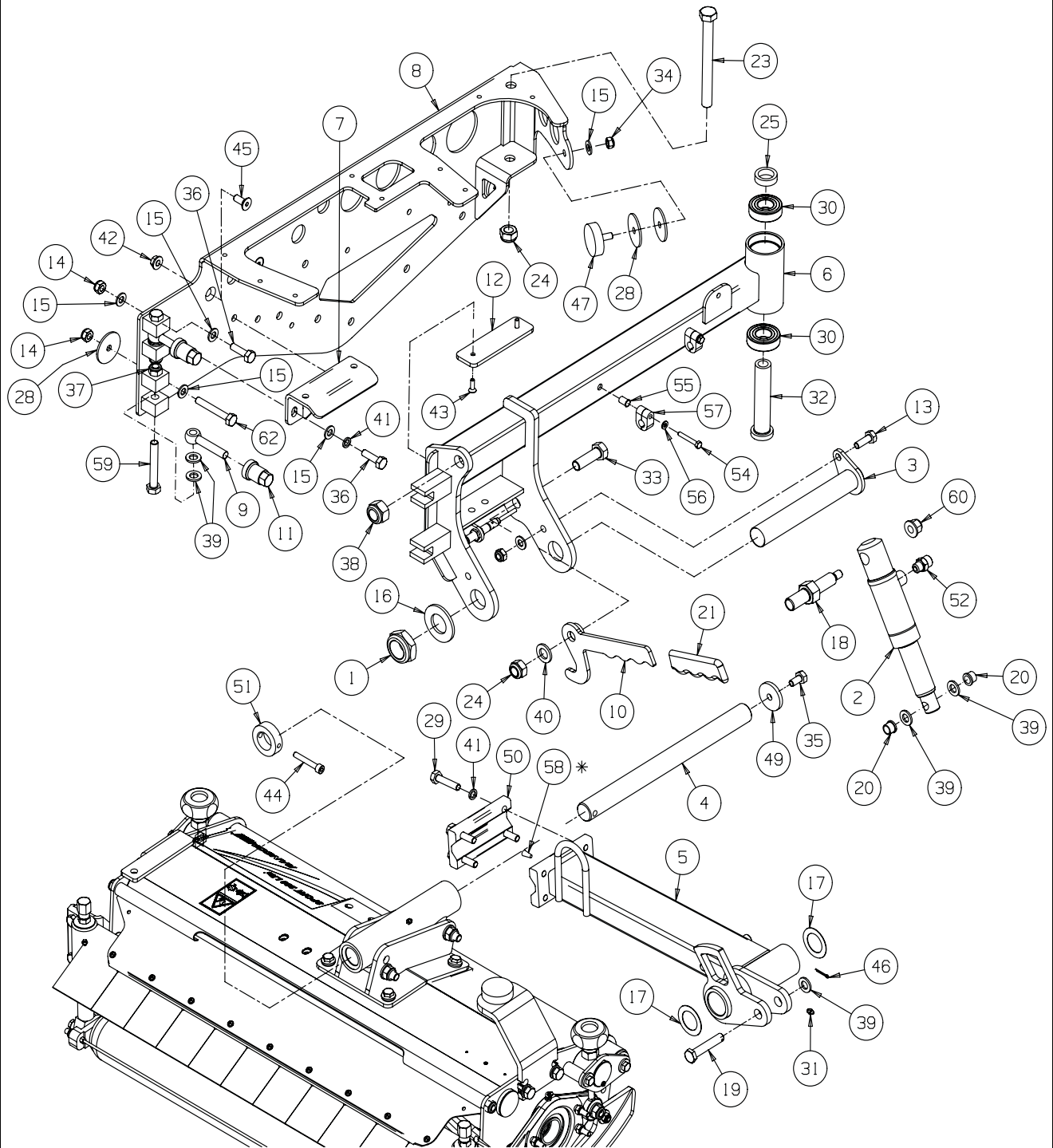


CENTRE UNIT MOUNTING

ITEM	PART NO.	DESCRIPTION	QTY.	
1	001393820	Nut-Hex 1.1/4-12 Nyloc	1	
2	009027316	Hydraulic Ram	1	To S/N GF000493 & GU000304
2*	002300430	• Seal Kit	1	
2	4244300	S/A Hydraulic Cylinder, 32 x 50, Lift	1	From S/N GF000494 & GU000305
*	4291654	Seal Kit for 4244300		
3	4210861	Weldment-Pivot Pin	1	
4	4118037	Pivot Shaft	1	
5	4205460	Weldment-Lift Arm, Ctr	1	
6	4205480	Weldment-Lift Arm Mtg, Ctr	1	
7	4205485	Weldment-Support, Ctr Unit Mtg	1	
8	4206184	Weldment-Frame, Swing Arm Mtg	1	
9	4206187	Eye Bolt	2	
10	4206800	Weldment-Transport Hook, Ctr Unit	1	
11	4207521	Clamp Bolt	2	
12	4207522	Pad-Lift Arm Mtg, Ctr	1	
13	450215	Screw-Hex M10 x 30	1	
14	450379	Nut-Hex M10 x Nyloc	3	
15	450391	Washer-M10 x 21 x 2.2	8	
16	452000693	Washer-1.1/4 x 2.3/8 x .176	1	
17	62464-4A	Whsr-Thrust 1.250 x 1.937 x .030	2	
18	MBE3699A	Pin-Ram Support	1	
19	4222462	Pin-Lift Ram	1	
20	4228440	Bush-Lift Arm	2	To S/N GF000527 & GU000300
20	4252550	Bush-Flange 1/2" x 5/8" x 1/2", Oilite	4	From S/N GF000528 & GU000301
21	4265291	Handle Grip-Red	1	
22	4220520	Motor-Cylinder Drive	1	
22*	4179500	• Seal Kit	1	
23	450084	Bolt-Hex M16 x 160	1	
24	450382	Nut-Hex M16 Nyloc	2	
25	4211542	Spacer-Swing Arm Mtg	1	
28	64163-17	Washer-25/64 x 2 x 11G	3	
29	001009750	Bolt-Hex M10 x 45	4	
30	002036057	Brg-Ball 25 x 52 x 15	2	
31	002993013	Lubricator-M6 Straight	1	
32	4211541	Spacer-Swing Arm Mtg	1	
33	450069	Bolt-Hex M16 x 50	1	
34	450120398	Nut-Hex 3/8-16 Nyloc Thin	1	
35	450213	Screw-Hex M10 x 20	1	
36	450216	Screw-Hex M10 x 35	3	
37	450380	Nut-Hex M12 Nyloc	2	
38	450383	Nut-Hex M20 Nyloc	1	
39	450392	Washer-M12 x 24 x 2.7	7	GF000370, GU000302.
40	450393	Washer-M16 x 30 x 3.3	1	

CENTRE UNIT MOUNTING

Illustration Number: 4192982-4

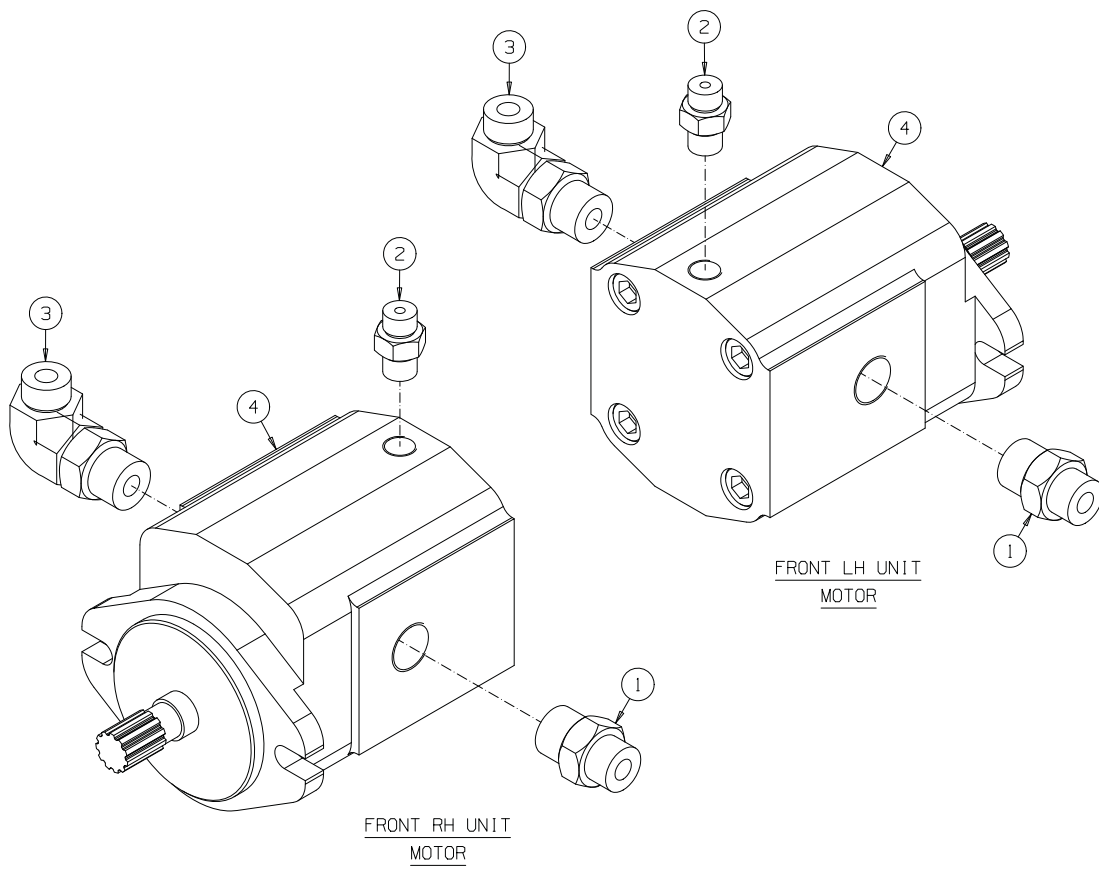
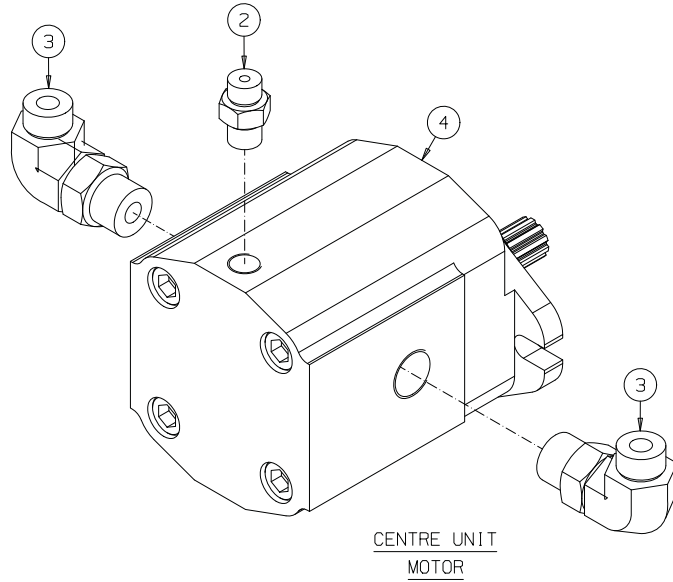


CENTRE UNIT MOUNTING

ITEM	PART NO.	DESCRIPTION	QTY.	
41	450412	LockWasher-M10 x 15.9 x 2.65	6	
42	450454	Nut-Hex M10 Verbus Ripp	2	
43	450853	Screw-Socket Countersunk M6 x 20	2	
44	450729	Cap Screw-Socket M8 x 50	1	
45	450880	Screw-Socket Countersunk M10 x 25	2	
46	451241	Split Pin-3.2 x 22	1	
47	J361723	Bumper Stop	1	
49	MBE0115	Washer-10.3 x 45 x 6	1	
50	MBG3772.7	Clamp	1	
51	MBG4592	Collar	1	
52	158006-01	Fitting-M/M 11/16 ORFS x 9/16 SAE	1	
54	450003	Bolt-Hex M6 x 40	2	
55	450357	M6 Nutsert	2	
56	450389	Washer-M6 x 12.5 x 1.8	2	
57	4150297	Single Clamp 12 mm	2	
58	4221920	Plug-Tapered 8.74 x 15.88	1	
59	450056	Bolt-Hex M12 x 80	2	
60	452438	Nut-Hex M12 Flange Nyloc	1	
61	4205251	Inductive Sensor	1	
62	450036	Bolt-Hex M10-1.5 x 70	1	

CUTTING CYLINDER DRIVE MOTORS

Illustration Number: 4226500

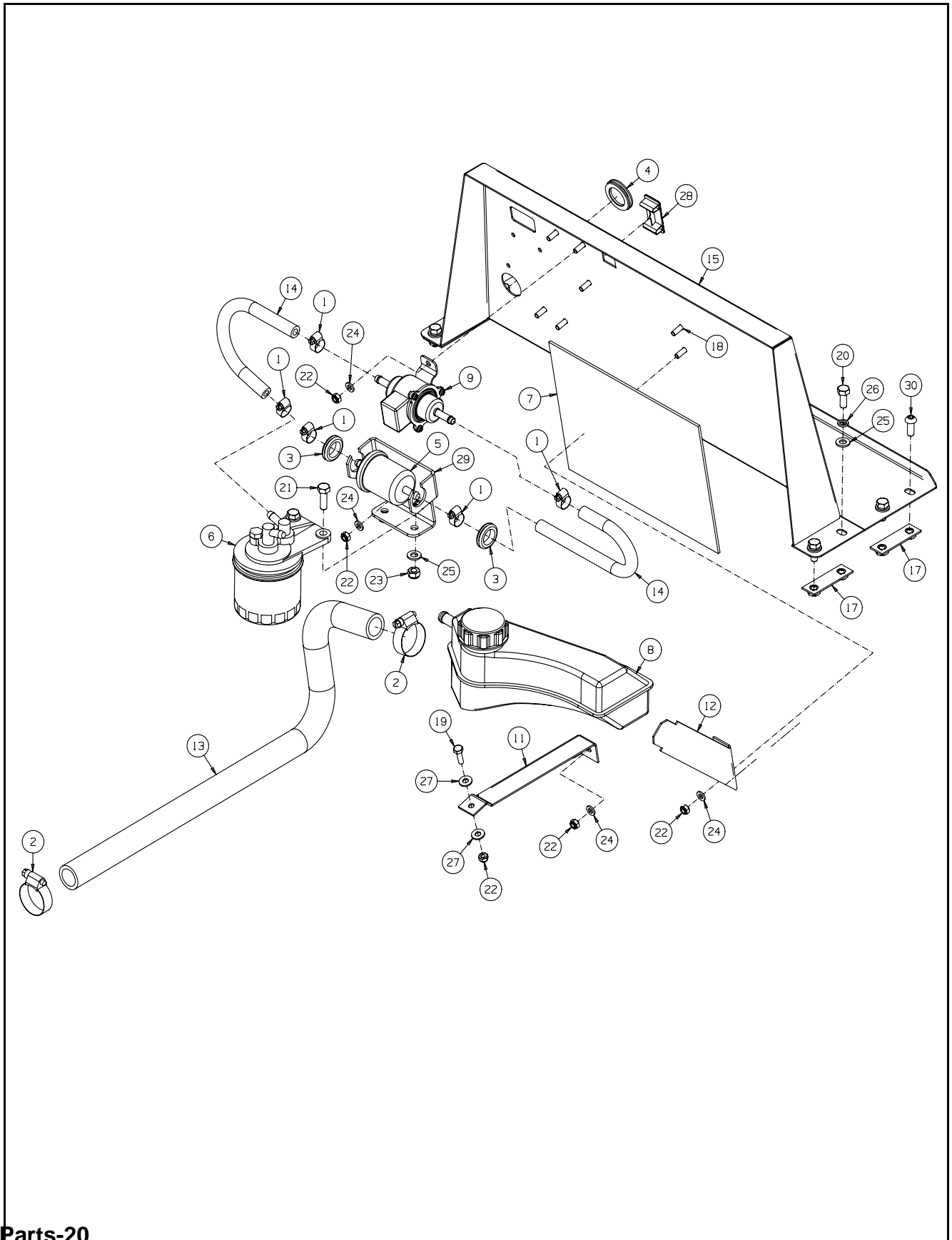


CUTTING CYLINDER DRIVE MOTORS

ITEM	PART NO.	DESCRIPTION	QTY.	
1	158006-06	Ftg-M/M 13/16 ORFS x 7/8 SAE	2	
2	158006-15	Ftg-M/M 9/16 ORFS x 9/16 SAE	3	
3	158007-03	90-M/M 13/16 ORFS x 7/8 SAE	4	
4	4220520	Motor-Cyl Drive	3	
4*	4179500	• Seal Kit	1	

BULKHEAD

Illustration Number: 4192994-2

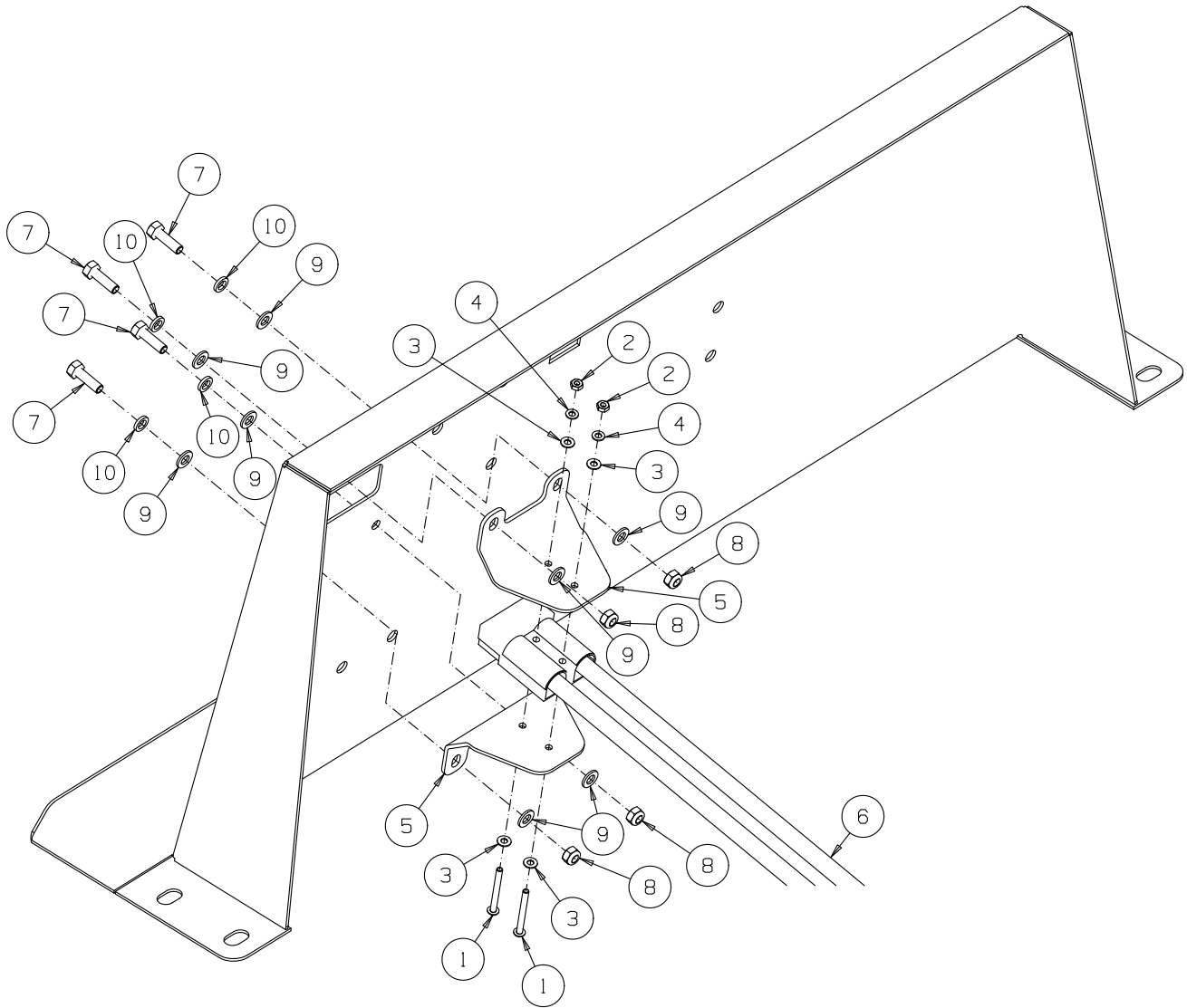


BULKHEAD

ITEM	PART NO.	DESCRIPTION	QTY.	
1	001925160	Hose Clamp, 6-16	5	
2	001925400	Hose Clamp, 19-40	2	
3	002953223	Grommet-20 x 31 x 7.5	2	
4	002953320	Grommet	1	
5	12581-43012	In-line Fuel Filter	1	ex-Kubota
6	15224-43013	Fuel Filter	1	ex-Kubota
7	4117825	Heat Insulation	1	
8	4123826	Expansion Tank and Cap	1	
*	4123828	Tank Cap	1	
9	4126806	Electric Fuel Pump	1	
11	4156420	Bracket-Water Bottle LH	1	
12	4156421	Bracket-Water Bottle RH	1	
13	4157740	Hose-Expansion Tank	1	
14	4194220	Hose-Filter to Fuel Pump	2	
15	4194560	Wldmt-Bulkhead	1	
16	4194223	Hose-Engine to Fuel Filter	1	
17	4118558	Wldmt-Keep Plate	4	
18	450170	Screw-Hex M6 x 16	7	
19	450171	Screw-Hex M6 x 20	1	
20	450191	Screw-Hex M8 x 20	6	
21	450192	Screw-Hex M8 x 25	2	
22	450377	Nut-Hex M6 Nyloc	8	
23	450378	Nut-Hex M8 Nyloc	2	
24	450389	Washer-M6 x 12.5 x 1.8	7	
25	450390	Washer-M8 x 17 x 1.8	8	
26	450411	LockWasher-M8 x 12.75 x 2.1	6	
27	452100019	Washer-1/4 x 5/8 x .064	2	
28	4135853	VSHF Mounting Panel Plug	1	
29	4222660	Bracket-Fuel Filter	1	
30	4142288	Screw-Pan Hd M8 x 20 Torx	2	From S/N GF000477 & GU000304

JUMP START CONNECTOR

Illustration Number: 4192994-2

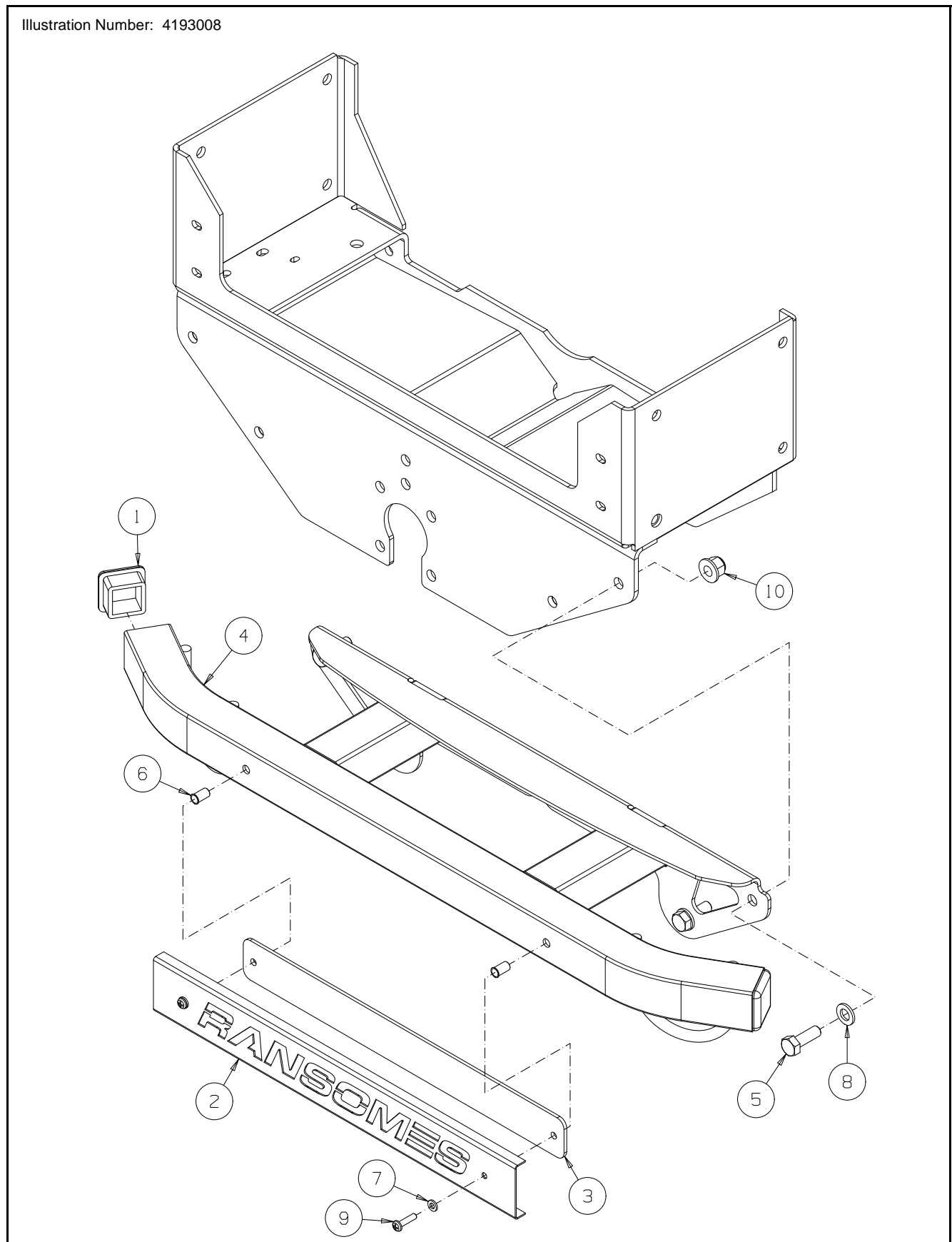


JUMP START CONNECTOR

ITEM	PART NO.	DESCRIPTION	QTY.	
1	001814310	Screw-Pan Hd M3 x 30	2	
2	001820037	Nut-Hex M3, Brass	2	
3	001830030	Washer-M3 x 7 x 0.6, Brass	4	
4	001863037	Washer-M3 x 6.4 x 0.61 Crinkle	2	
5	4222860	Bracket-Battery Jump Lead	2	
6	4223900	Cable-Jump Start	1	
7	450151	Screw-Hex M5 x 16	4	
8	450376	Nut-Hex M5 Nyloc	4	
9	450388	Washer-M5 x 10 x 1.1	8	
10	450409	Washer-Slw M5	4	

BUMPER AND NAMEPLATE

Illustration Number: 4193008

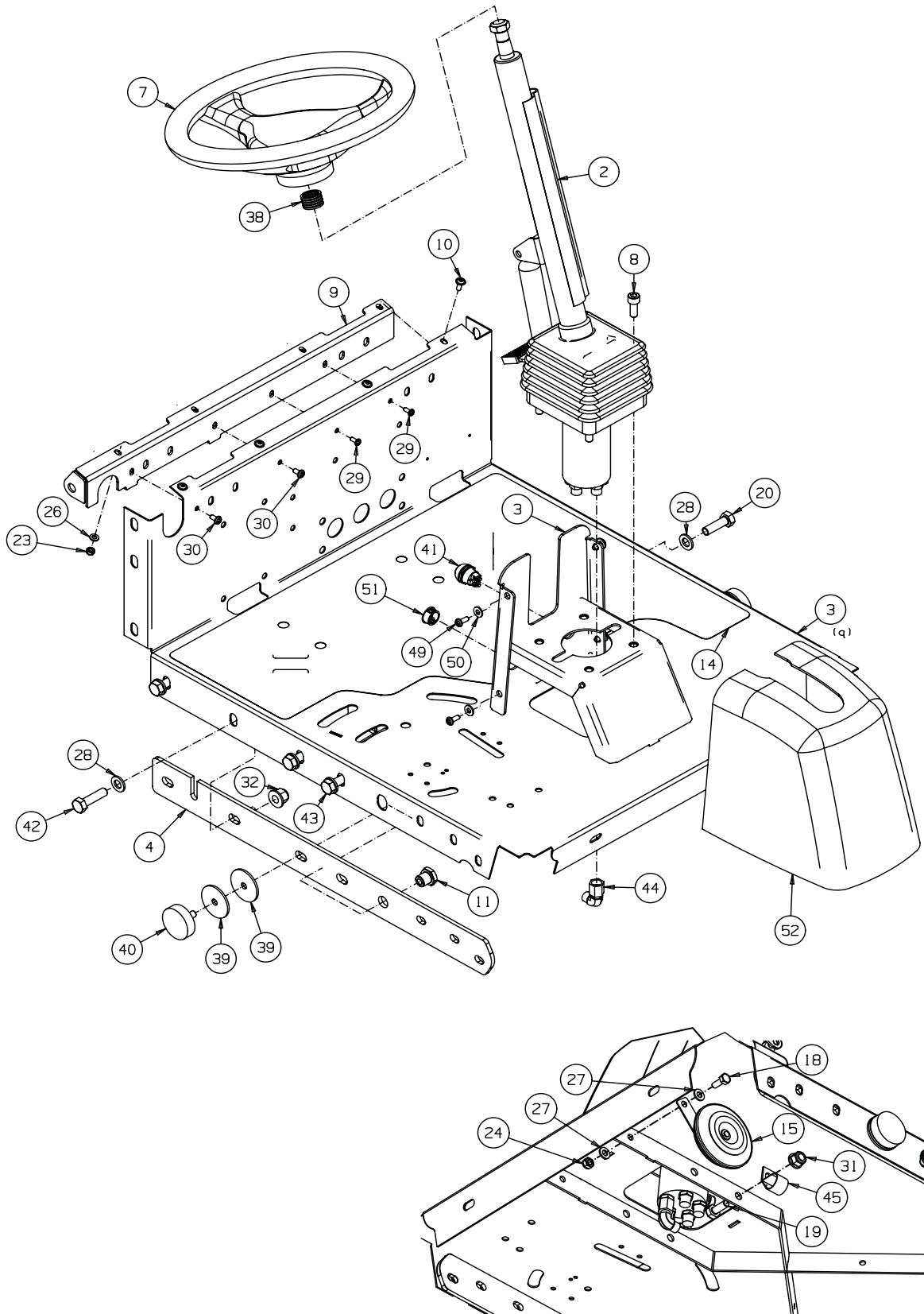


BUMPER AND NAMEPLATE

ITEM	PART NO.	DESCRIPTION	QTY.	
1	4282211	End Cap-50 x 50 x 3	2	
2	4161940	Nameplate-Bumper	1	
3	4219940	Backplate-Plastic, Bumper	1	White
4	4213060	Wldmt-Bumper	1	
5	450242	Screw-Hex M12 x 35	4	
6	450358	M6 Nutsert	2	
7	450389	Washer-M6 x 12.5 x 1.8	2	
8	450392	Washer-M12 x 24 x 2.7	4	
9	450543	Screw-Pan Hd M6 x 25	2	
10	452438	Nut-Hex M12 Flng Nyloc	4	

PLATFORM

Illustration Number: 4192985-4

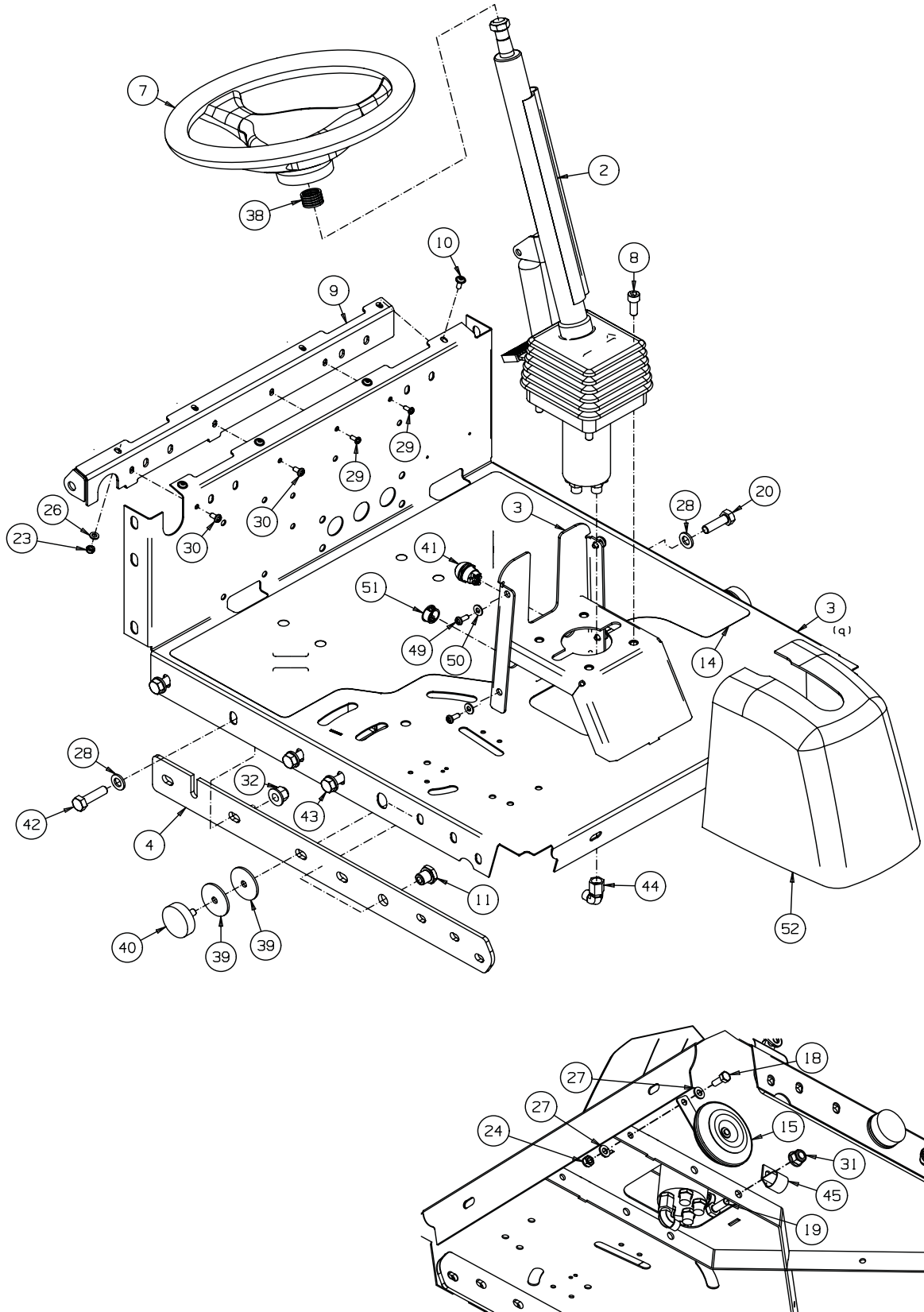


PLATFORM

ITEM	PART NO.	DESCRIPTION	QTY.	
2	4208720	Steering Unit & Column	1	
3	4289452	Wldmt-platform	1	
4	4202162	Plate-platform Support	2	
7	2811364	Steering Wheel	1	
8	450738	CapScrew-hex Sckt M10-1.5 X 25	4	
9	4211000	Wldmt-cross Member	1	
10	4211480	Screw-m6 X 16 Socket Head With Flange	4	
11	4205000	Nut-bump Stop	2	
14	4213520	Anti-slip-platform	1	
15	4175076	Road Horn-protected	1	
18	450191	Screw-hex M8-1.25 X 20	1	
19	450214	Screw-hex M10-1.5 X 25	1	
20	450243	Screw-hex M12-1.75 X 40	4	
23	450377	Nut-hex M6-1.0 Nyloc	6	
24	450378	Nut-hex M8-1.25 Nyloc	1	
26	450389	Washer-m6 X 12.5 X 1.8	8	
27	450390	Washer-m8 X 17 X 1.8	2	
28	450392	Washer-m12 X 24 X 2.7	8	
29	450526	Screw-pan Hd M5-0.8 X 12	2	
30	450539	Screw-pan Hd M6-1.0 X 12	2	
31	452437	Nut-nyloc M10 Fling	1	
32	452438	Nut-nyloc M12 Fling	8	
37	450412	LockWasher-m10 X 15.9 X 2.5	4	
38	4221160	Sleeve-steering Column	1	
39	64163-17	Washer-25/64 X 2 X 11g	4	
40	J361723	Bumper Stop	2	
41	4212124	Horn Switch	1	
42	450049	Bolt-hex M12-1.75 X 45	3	
43	450245	Screw-hex M12-1.75 X 50	1	
44	002590450	90-m/f 9/16 Ors	1	
45	469016509	P-clip	1	
49	450541	Screw-pan Hd M6-1.0 X 16	4	
50	452100019	Washer-1/4 X 5/8 X .064	4	
51	4179501	Dome Plug	1	

PLATFORM

Illustration Number: 4192985-4

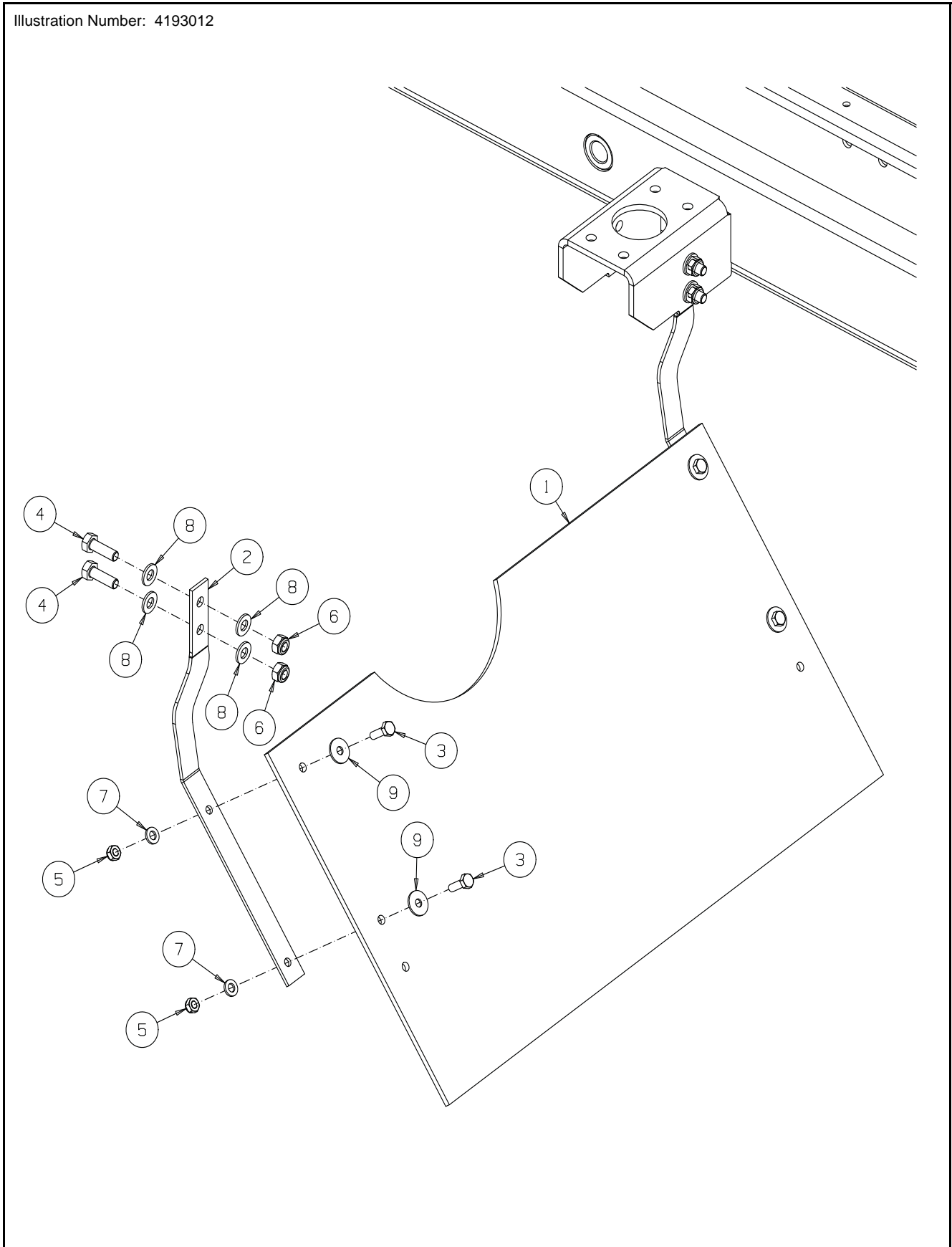


PLATFORM

ITEM	PART NO.	DESCRIPTION	QTY.	
52	4230496	Cover-steering Tower	1	

DEFLECTOR

Illustration Number: 4193012



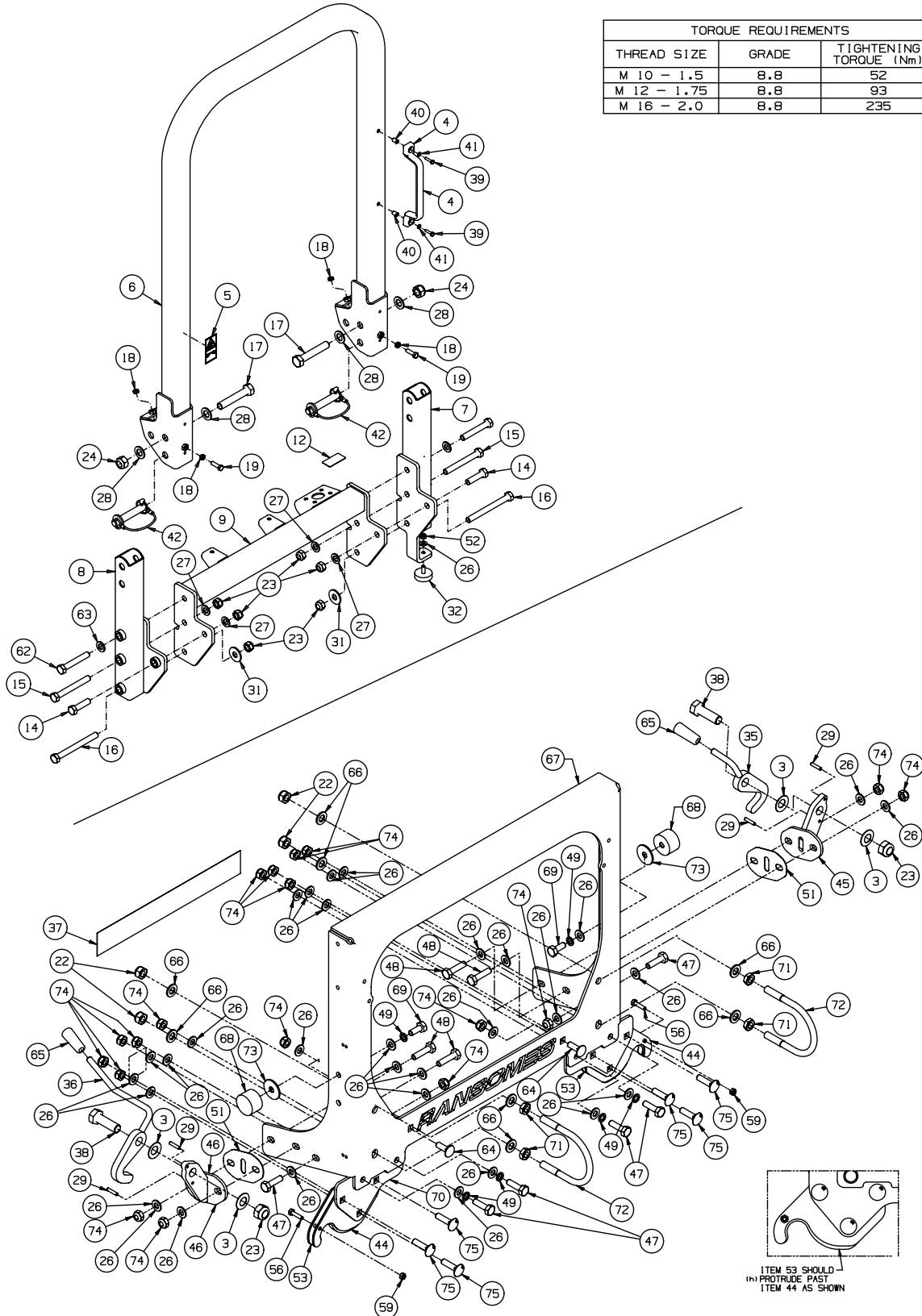
DEFLECTOR

ITEM	PART NO.	DESCRIPTION	QTY.	
1	4234640	Rubber Deflector	1	
2	4217800	Deflector Bracket	2	
3	450171	Screw-Hex M6 x 20	4	
4	450192	Screw-Hex M8 x 25	4	
5	450377	Nut-Hex M6 Nyloc	4	
6	450378	Nut-Hex M8 Nyloc	4	
7	450389	Washer-M6 x 12.5 x 1.8	4	
8	450390	Washer-M8 x 17 x 1.8	8	
9	452000237	Washer-1/4 x 3/4 x .064	4	

ROPS & HARD POINT (ISO21299)

Illustration Number: 4230448-1_rops_iso21299_r2

TORQUE REQUIREMENTS		
THREAD SIZE	GRADE	TIGHTENING TORQUE (Nm)
M 10 - 1.5	8.8	52
M 12 - 1.75	8.8	93
M 16 - 2.0	8.8	235



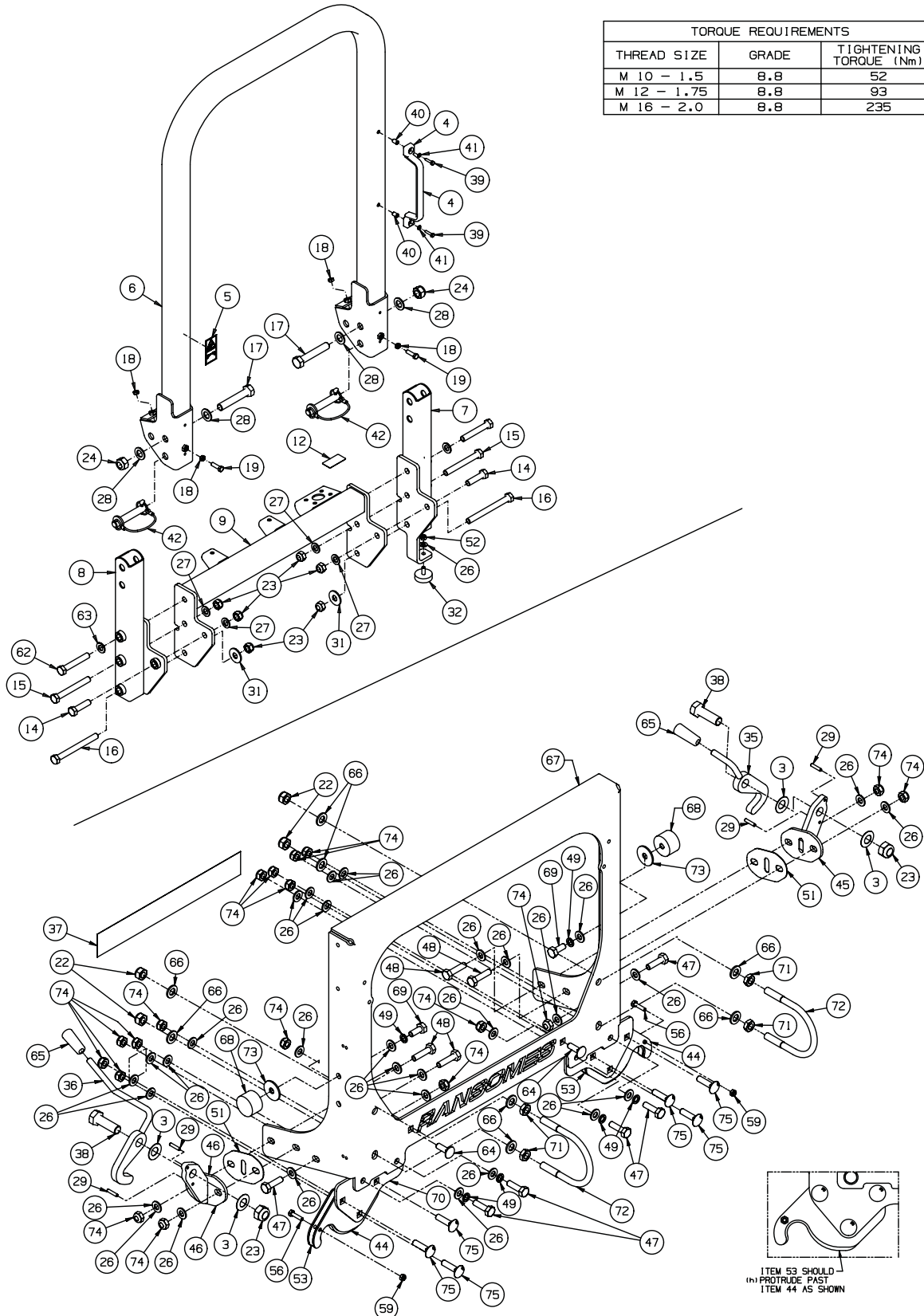
ROPS & HARD POINT (ISO21299)

ITEM	PART NO.	DESCRIPTION	QTY.	
3	002921109	Spring-disc 16.3 X 31.5 X 0.8	4	
5	009114380	Decal: Fasten Seat Belt	1	
6	4201340	Weldmount-rops Frame	1	
7	4201343	Weldmount-rops Support LH	1	
8	4241116	Weldmount-rops Support RH	1	
9	4241113	Weldmount-rops Stiffener	1	
12	4213222	Serial Plate-rops	1	
14	450071	Bolt Hex M16-2.0 X 60	2	
15	450081	Bolt Hex M16-2.0 X 130	2	
16	450084	Bolt Hex M16-2.0 X 160	2	
17	450099	Bolt Hex M20-2.5 X 110	2	
18	450120186	Nut Hex 3/8-16	4	
19	456110448	Screw Hex 3/8-16 X 1.1/4	2	
22	450380	Nut Hex M12-1.75 Nyloc	4	
23	450382	Nut Hex M16-2.0 Nyloc	8	
24	450383	Nut Hex M20-2.5 Nyloc	2	
26	450391	Washer M10 X 21 X 2.2	22	
27	450393	Washer M16 X 30 X 3.3	4	
28	450394	Washer M20 X 37 X 3.3	4	
29	451657	Pin-tension 5 X 24	4	
31	64163-76	Washer-11/16 X 1-3/4 X 9/64	2	
35	4214303	Weldmount-unit Latch, LH	1	
36	4234861	Long Unit Latch	1	
37	4220280	Decal-white Infill	1	
38	450069	Bolt Hex M16-2.0 X 50	2	
39	450172	Screw Hex M6-1.0 X 25	2	
40	450357	M6-1.0 Nutsert (0.7-4.2 G/l)	2	
41	450389	Washer M6 X 12.5 X 1.8	2	
42	Mbg5722	Asm-shear Pin & Ring	2	
43	4259710	250 Mm Long Black Pvc Handle	1	
44	4255790	Hook-cutting Unit, Support	4	
45	4221941	Weldmount-unit Latch, LH	1	
46	4221942	Weldmount-unit Latch, RH	1	
47	450216	Screw Hex M10-1.5 X 35	6	
48	450217	Screw Hex M10-1.5 X 40	4	
49	450412	LockWasher M10 X 15.9 X 2.5	6	
51	4237902	Packing Plate	2	
52	450120398	Nut Hex 3/8-16, Nyloc Thin	1	
53	4255791	Hook-cutting Unit, Plastic	2	
56	450000	Bolt Hex M6-1.0 X 25	2	
59	450377	Nut Hex M6-1.0 Nyloc	2	
62	450078	Bolt Hex M16-2.0 X 100	2	
63	4244645	Av Washer-17 X 30.7 X 3.4	2	
64	452586	Bolt-crg M10-1.5 X 30	2	
65	002990227	Knob	2	
66	450392	Washer M12 X 24 X 2.7	8	
67	4259530	1 Piece Hard Point	1	
68	4245850	Bump Stop, 40x25-m10	2	
69	450214	Screw Hex M10-1.5 X 25	2	
70	4282232	Stand Off Bracket	2	

ROPS & HARD POINT (ISO21299)

Illustration Number: 4230448-1_rops_iso21299_r2

TORQUE REQUIREMENTS		
THREAD SIZE	GRADE	TIGHTENING TORQUE (Nm)
M 10 - 1.5	8.8	52
M 12 - 1.75	8.8	93
M 16 - 2.0	8.8	235



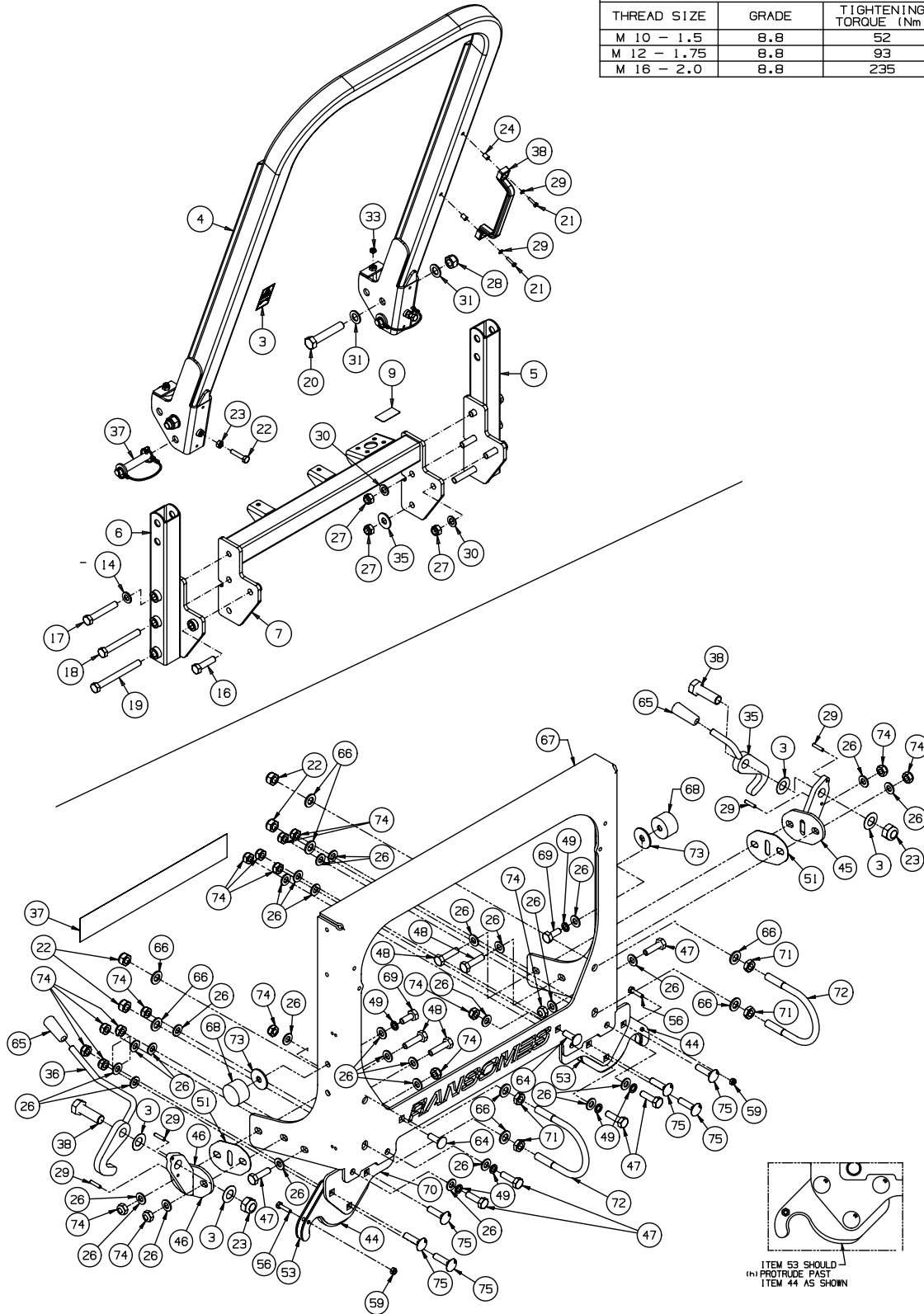
ROPS & HARD POINT (ISO21299)

ITEM	PART NO.	DESCRIPTION	QTY.	
71	450333	Nut Hex M12-1.75 Thin	4	
72	4282351	U-bolt	2	
73	452101510	Washer-3/8 X 1-1/2 X .104	2	
74	450379	Nut Hex M10-1.5 Nyloc	18	
75	4287173	Bolt-crg M10 X 40	6	
		Hardpoint Parts		
4	4259710	250 Mm Long Black Pbvc Handle	1	
5	009114380	Decal: Fasten Seat Belt	1	
6	4201340	Weldmount-rops Frame	1	
7	4201343	Weldmount-rops Support LH	1	
8	4241116	Weldmount-rops Support RH	1	
9	4241113	Weldmount-rops Stiffener	1	
12	4213222	Serial Plate-rops	1	
14	450071	Bolt Hex M16-2.0 X 60	2	
15	450081	Bolt Hex M16-2.0 X 130	2	
16	450084	Bolt Hex M16-2.0 X 160	2	
17	450099	Bolt Hex M20-2.5 X 110	2	
18	450120186	Nut Hex 3/8-16	4	
19	456110448	Screw Hex 3/8-16 X 1.1/4	2	
23	450382	Nut Hex M16-2.0 Nyloc	8	
24	450383	Nut Hex M20-2.5 Nyloc	2	
26	450391	Washer M10 X 21 X 2.2	22	
27	450393	Washer M16 X 30 X 3.3	4	
28	450394	Washer M20 X 37 X 3.3	4	
31	64163-76	Washer-11/16 X 1-3/4 X 9/64	2	
39	450172	Screw Hex M6-1.0 X 25	2	
40	450357	M6-1.0 (A-k) Nutsert (0.7-4.2 G/l)	2	
41	450389	Washer M6 X 12.5 X 1.8	2	
42	Mbg5722	Asm-shear Pin & Ring	2	
52	450120398	Nut Hex 3/8-16, Nyloc Thin	1	
62	450078	Bolt Hex M16-2.0 X 100	2	
63	4244645	Av Washer-17 X 30.7 X 3.4	2	

ROPS & HARD POINT (OECD code 4)

Illustration Number: 4240242-2_oecd_rops_r2

TORQUE REQUIREMENTS		
THREAD SIZE	GRADE	TIGHTENING TORQUE (Nm)
M 10 - 1.5	8.8	52
M 12 - 1.75	8.8	93
M 16 - 2.0	8.8	235



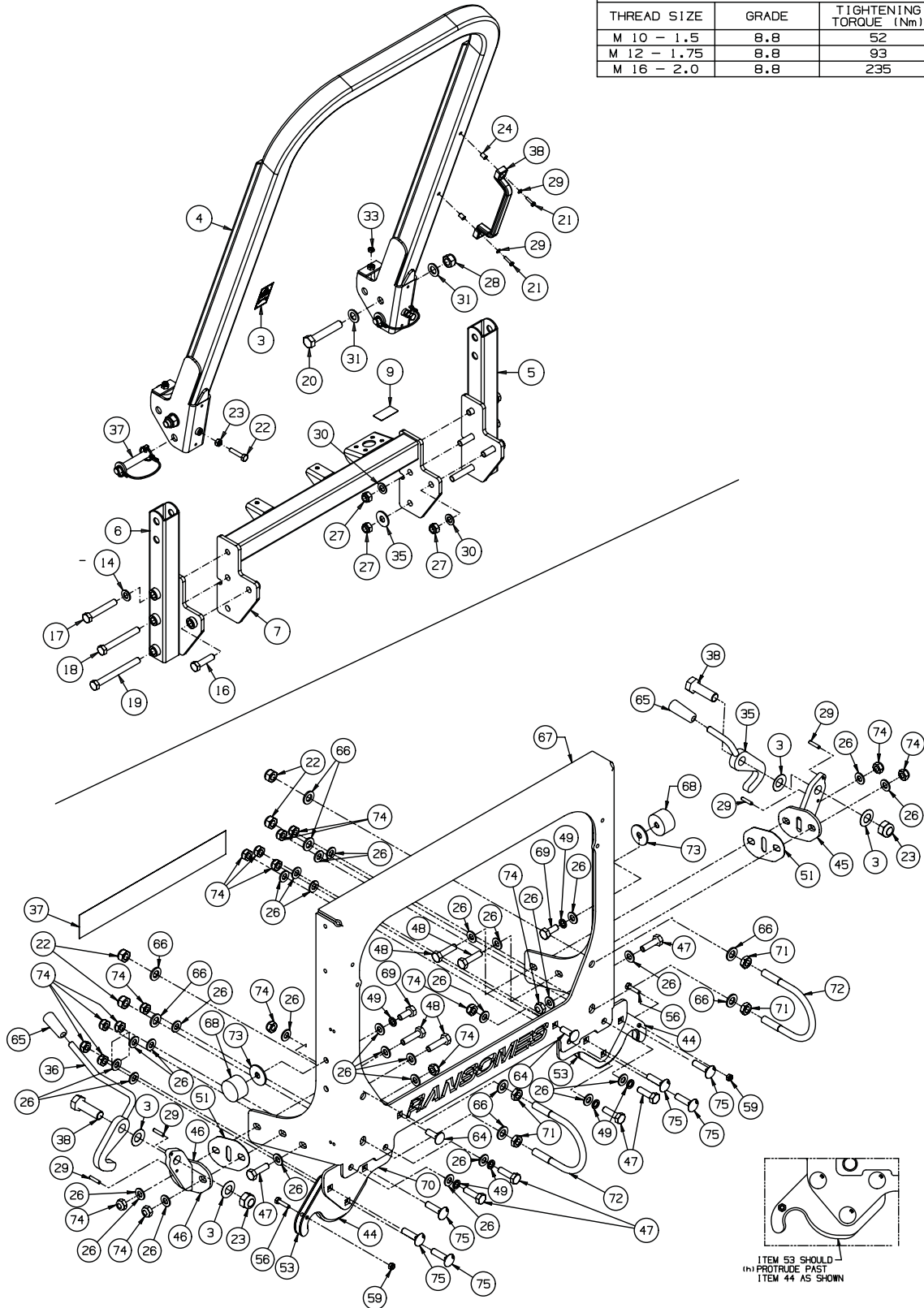
ROPS & HARD POINT (OECD code 4)

ITEM	PART NO.	DESCRIPTION	QTY.	
3	002921109	Sprg-disc 16.3 X 31.5 X 0.8	4	
5	009114380	Decal: Fasten Seat Belt	1	
6	4201340	Weldmount-rops Frame	1	
7	4201343	Weldmount-rops Support LH	1	
8	4241116	Weldmount-rops Support RH	1	
9	4241113	Weldmount-rops Stiffener	1	
12	4213222	Serial Plate-rops	1	
14	450071	Bolt Hex M16-2.0 X 60	2	
15	450081	Bolt Hex M16-2.0 X 130	2	
16	450084	Bolt Hex M16-2.0 X 160	2	
17	450099	Bolt Hex M20-2.5 X 110	2	
18	450120186	Nut Hex 3/8-16	4	
19	456110448	Screw Hex 3/8-16 X 1.1/4	2	
22	450380	Nut Hex M12-1.75 Nyloc	4	
23	450382	Nut Hex M16-2.0 Nyloc	8	
24	450383	Nut Hex M20-2.5 Nyloc	2	
26	450391	Washer M10 X 21 X 2.2	22	
27	450393	Washer M16 X 30 X 3.3	4	
28	450394	Washer M20 X 37 X 3.3	4	
29	451657	Pin-tension 5 X 24	4	
31	64163-76	Washer-11/16 X 1-3/4 X 9/64	2	
35	4214303	Weldmount-unit Latch, LH	1	
36	4234861	Long Unit Latch	1	
37	4220280	Decal-white Infill	1	
38	450069	Bolt Hex M16-2.0 X 50	2	
39	450172	Screw Hex M6-1.0 X 25	2	
40	450357	M6-1.0 (A-k) Nutsert (0.7-4.2 G/l)	2	
41	450389	Washer M6 X 12.5 X 1.8	2	
42	Mbg5722	Asm-shear Pin & Ring	2	
43	4259710	250 Mm Long Black Pbvc Handle	1	
44	4255790	Hook-cutting Unit, Support	4	
45	4221941	Weldmount-unit Latch, LH	1	
46	4221942	Weldmount-unit Latch, RH	1	
47	450216	Screw Hex M10-1.5 X 35	6	
48	450217	Screw Hex M10-1.5 X 40	4	
49	450412	LockWasher M10 X 15.9 X 2.5	6	
51	4237902	Packing Plate	2	
52	450120398	Nut Hex 3/8-16, Nyloc Thin	1	
53	4255791	Hook-cutting Unit, Plastic	2	
56	450000	Bolt Hex M6-1.0 X 25	2	
59	450377	Nut Hex M6-1.0 Nyloc	2	
62	450078	Bolt Hex M16-2.0 X 100	2	
63	4244645	Av Washer-17 X 30.7 X 3.4	2	
64	452586	Bolt-crg M10-1.5 X 30, Gr 4.6	2	
65	002990227	Knob	2	
66	450392	Washer M12 X 24 X 2.7	8	
67	4259530	1 Piece Hard Point	1	
68	4245850	Bump Stop, 40x25-m10	2	
69	450214	Screw Hex M10-1.5 X 25	2	
70	4282232	Stand Off Bracket	2	

ROPS & HARD POINT (OECD code 4)

Illustration Number: 4240242-2_oecd_rops_r2

TORQUE REQUIREMENTS		
THREAD SIZE	GRADE	TIGHTENING TORQUE (Nm)
M 10 - 1.5	8.8	52
M 12 - 1.75	8.8	93
M 16 - 2.0	8.8	235

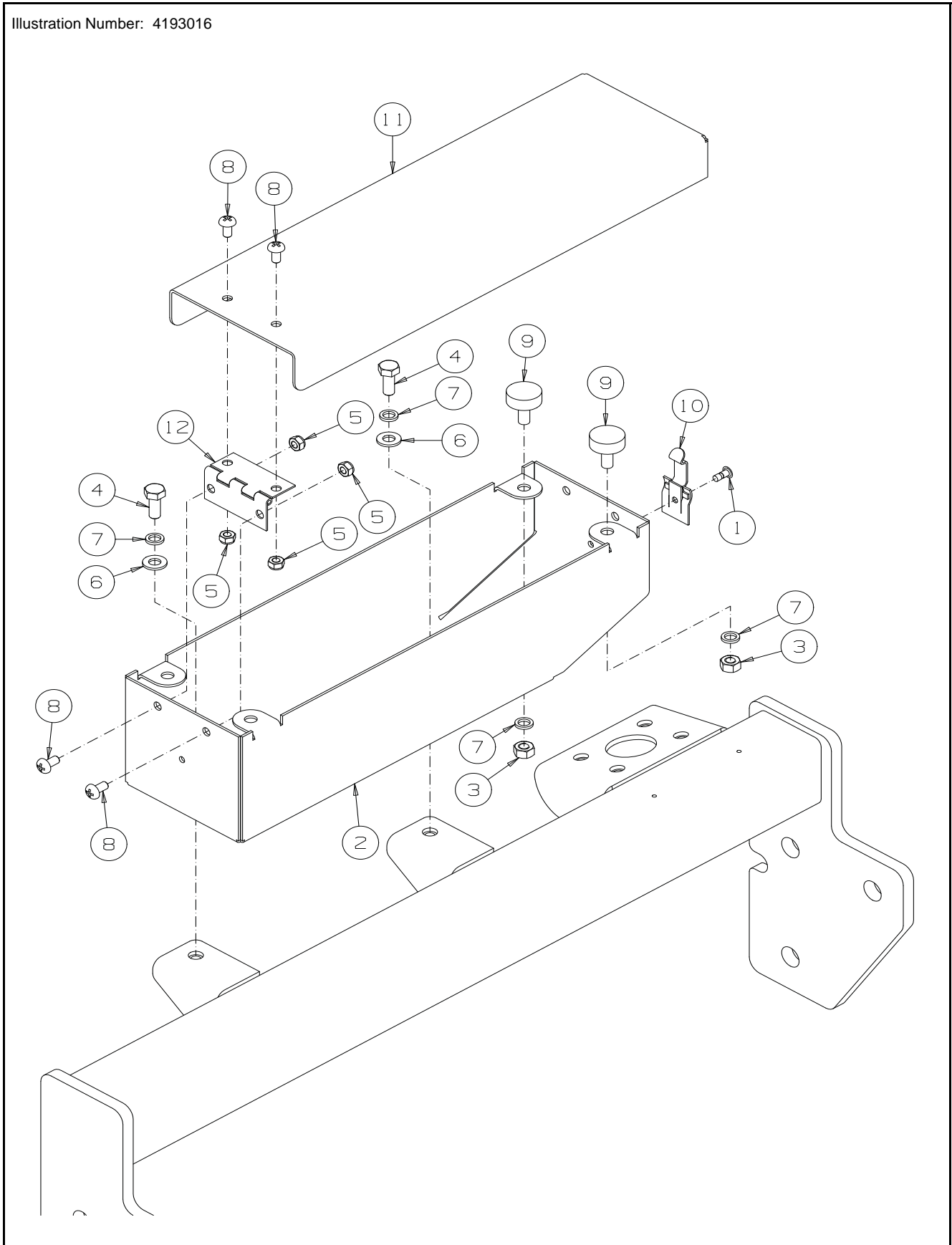


ROPS & HARD POINT (OECD code 4)

ITEM	PART NO.	DESCRIPTION	QTY.	
71	450333	Nut Hex M12-1.75 Thin	4	
72	4282351	U-bolt	2	
73	452101510	Washer-3/8 X 1-1/2 X .104	2	
74	450379	Nut Hex M10-1.5 Nyloc	18	
75	4287173	Bolt-crg M10 X 40	6	
		Hardpoint Parts		
3	9114380	Decal: Fasten Seat Belt	1	
4	4241126	Weldmount-rops Frame	1	
5	4241115	Weldmount-rops Support LH	1	
6	4241116	Weldmount-rops Support RH	1	
7	4241113	Weldmount-rops Stiffener	1	
8	4211480	Screw-m6 X 16 Sckt Button Head	4	
9	4213222	Serial Plate-rops	1	
10	4219940	Backplate-plastic, Bumper	1	
11	4230476	Weldmount-hardpoint	1	
12	4230481	Weldmount-nameplate, Hard Point	1	
13	4230482	Weldmount-nameplate, Hard Point	1	
14	4244645	Av Washer-17 X 30.7 X 3.4	2	
15	450030	Bolt Hex M10-1.5 X 40	4	
16	450071	Bolt Hex M16-2.0 X 60	2	
17	450078	Bolt Hex M16-2.0 X 100	2	
18	450081	Bolt Hex M16-2.0 X 130	2	
19	450084	Bolt Hex M16-2.0 X 160	2	
20	450099	Bolt Hex M20-2.5 X 110	2	
21	450172	Screw Hex M6-1.0 X 25	2	
22	450219	Screw Hex M10-1.5 X 50	2	
23	450325	Nut Hex M10-1.5	2	
24	450357	M6-1.0 Nutsert (0.7-4.2 G/l)	6	
26	450377	Nut Hex M6-1.0 Nyloc	2	
27	450382	Nut Hex M16-2.0 Nyloc	6	
28	450383	Nut Hex M20-2.5 Nyloc	2	
29	450389	Washer M6 X 12.5 X 1.8	2	
30	450393	Washer M16 X 30 X 3.3	4	
31	450394	Washer M20 X 37 X 3.3	4	
32	450412	LockWasher M10 X 15.9 X 2.5	4	
33	450120186	Nut Hex 3/8-16	2	
34	452000237	Washer-1/4 X 3/4 X .064	2	
35	64163-76	Washer-11/16 X 1-3/4 X 9/64	2	
37	Mbg5722	Asm-shear Pin & Ring	2	
38	4259710	250 Mm Long Black Pbvc Handle	1	

TOOLBOX

Illustration Number: 4193016



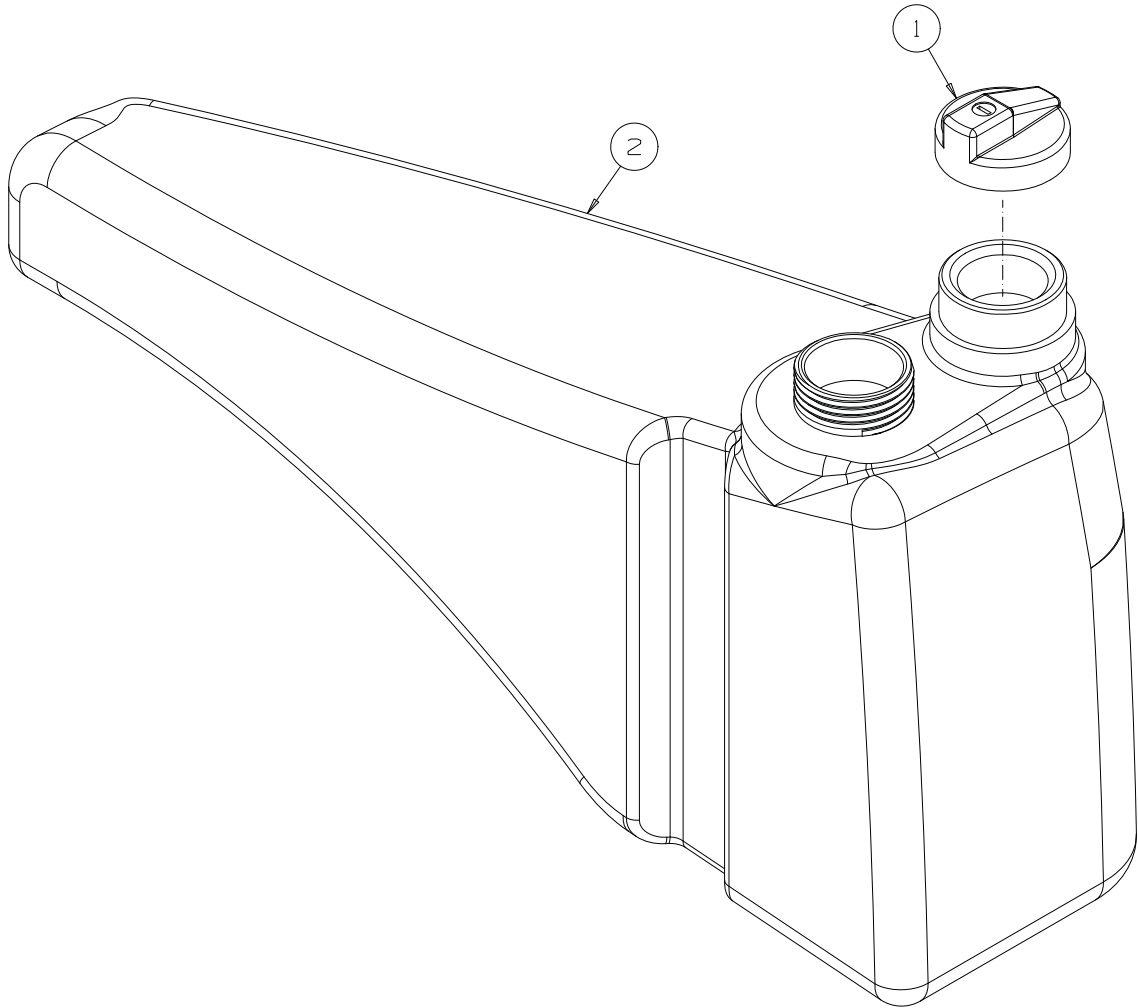
TOOLBOX

ITEM	PART NO.	DESCRIPTION	QTY.	
1	001496044	Rivet-Pop 4.8 x 12	1	
2	4164620	Toolbox-Base	1	
3	450120021	Nut-Hex 5/16-18	2	
4	450191	Screw-Hex M8 x 20	2	
5	450377	Nut-Hex M6 Nyloc	4	
6	450390	Washer-M8 x 17 x 1.8	2	
7	450411	Washer-Slw M8	4	
8	450539	Screw-Pan Hd M6 x 12	4	
9	523224	Bumper-Rubber	2	
10	835039	Fastener-Snap	1	
11	840171.07	Cover-Box	1	
12	840172	Hinge	1	

FUEL TANK - FITTED ASSEMBLY

Illustration Number: 4217840

1

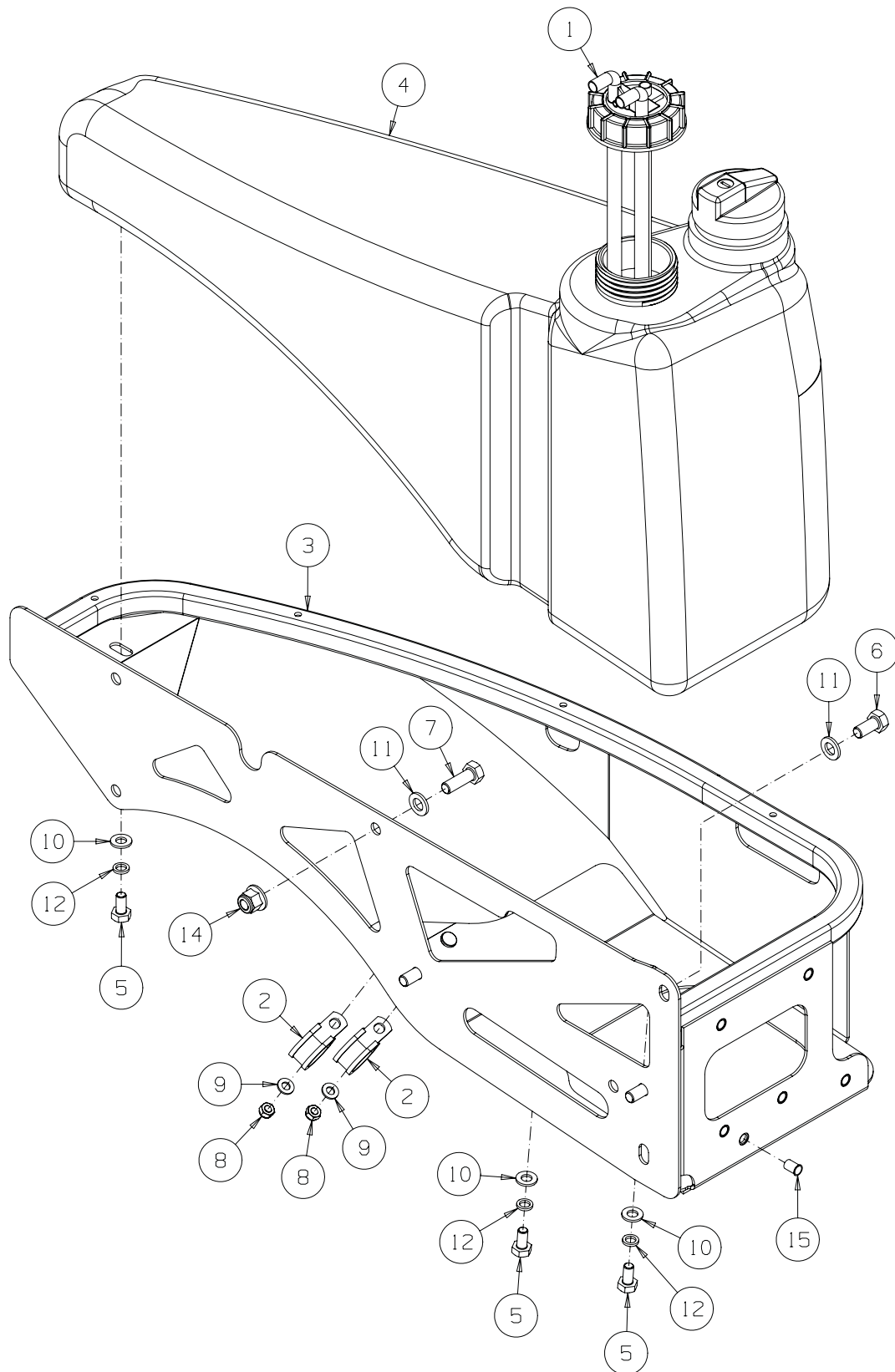


FUEL TANK - FITTED ASSEMBLY

ITEM	PART NO.	DESCRIPTION	QTY.	
1	4161500	Cap-Fuel Tank, Lockable	1	
2	4211004	Tank-Fuel	1	

FUEL TANK AND MOUNTING FRAME

Illustration Number: 4193009

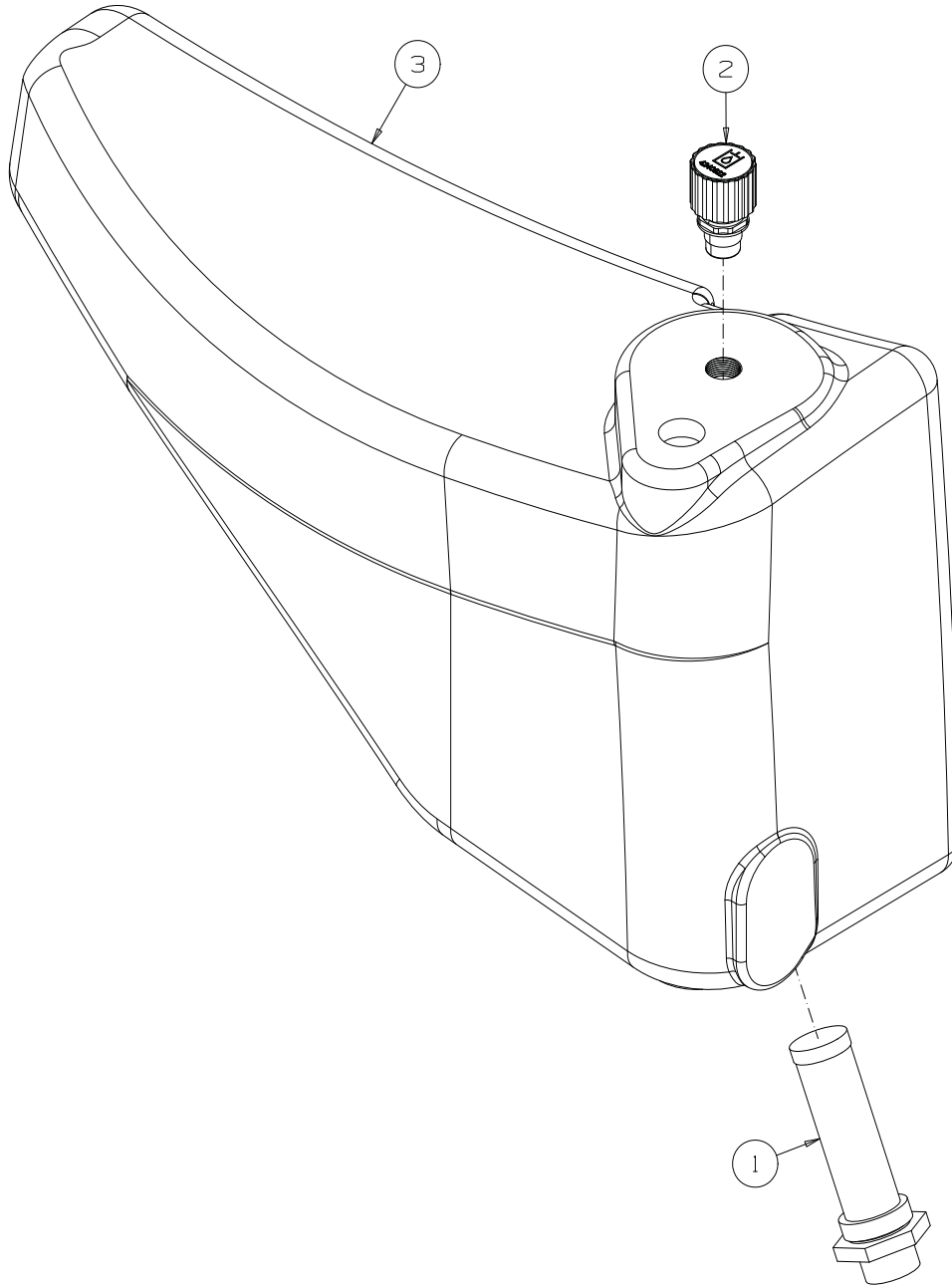


FUEL TANK AND MOUNTING FRAME

ITEM	PART NO.	DESCRIPTION	QTY.	
1	4152958	Fuel Level Sender and Pick Up	1	Fitted Assembly
2	4180320	P-clip, 30 mm	2	
3	4212880	Wldmt-Tank Support LH	1	
4	4217840	Tank-Fuel	1	
5	450213	Screw-Hex M10 x 20	3	
6	450240	Screw-Hex M12 x 25	3	
7	450242	Screw-Hex M12 x 35	1	
8	450378	Nut-Hex M8 Nyloc	2	
9	450390	Washer-M8 x 17 x 1.8	2	
10	450391	Washer-M10 x 21 x 2.2	3	
11	450392	Washer-M12 x 24 x 2.7	3	
12	450412	LockWasher-M10 x 15.9 x 2.65	3	
13	450424	LockWasher-M12 x 21 x 2.65	1	
14	452438	Nut-Hex M12 Flng Nyloc	1	
15	450357	M6 Nutsert	6	

HYDRAULIC TANK - FITTED ASSEMBLY

Illustration Number: 4217841

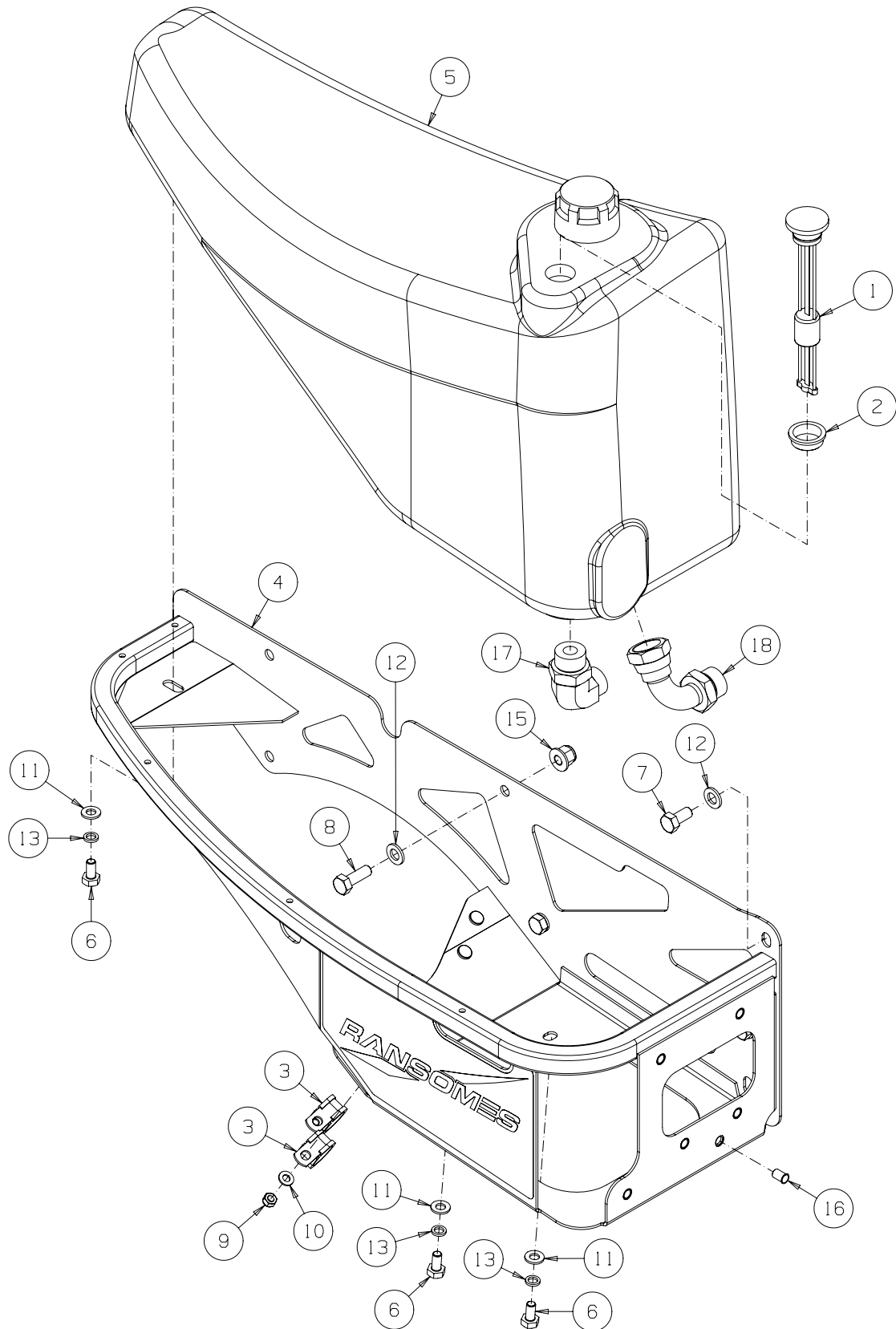


HYDRAULIC TANK - FITTED ASSEMBLY

ITEM	PART NO.	DESCRIPTION	QTY.	
1	4153597	Strainer-Suction, 125 micron	1	
2	4175583	Cap, Filler / Breather	1	To S/N GF000466 & GU000303
2	4240922	Filler / Breather Cap	1	From S/N GF000467 & GU000304
3	4211003	Tank-Hydraulic	1	
4	870000104	3/4 BSP Dowty Seal	1	To S/N GF000466 & GU000303

HYDRAULIC TANK AND MOUNTING FRAME

Illustration Number: 4193010



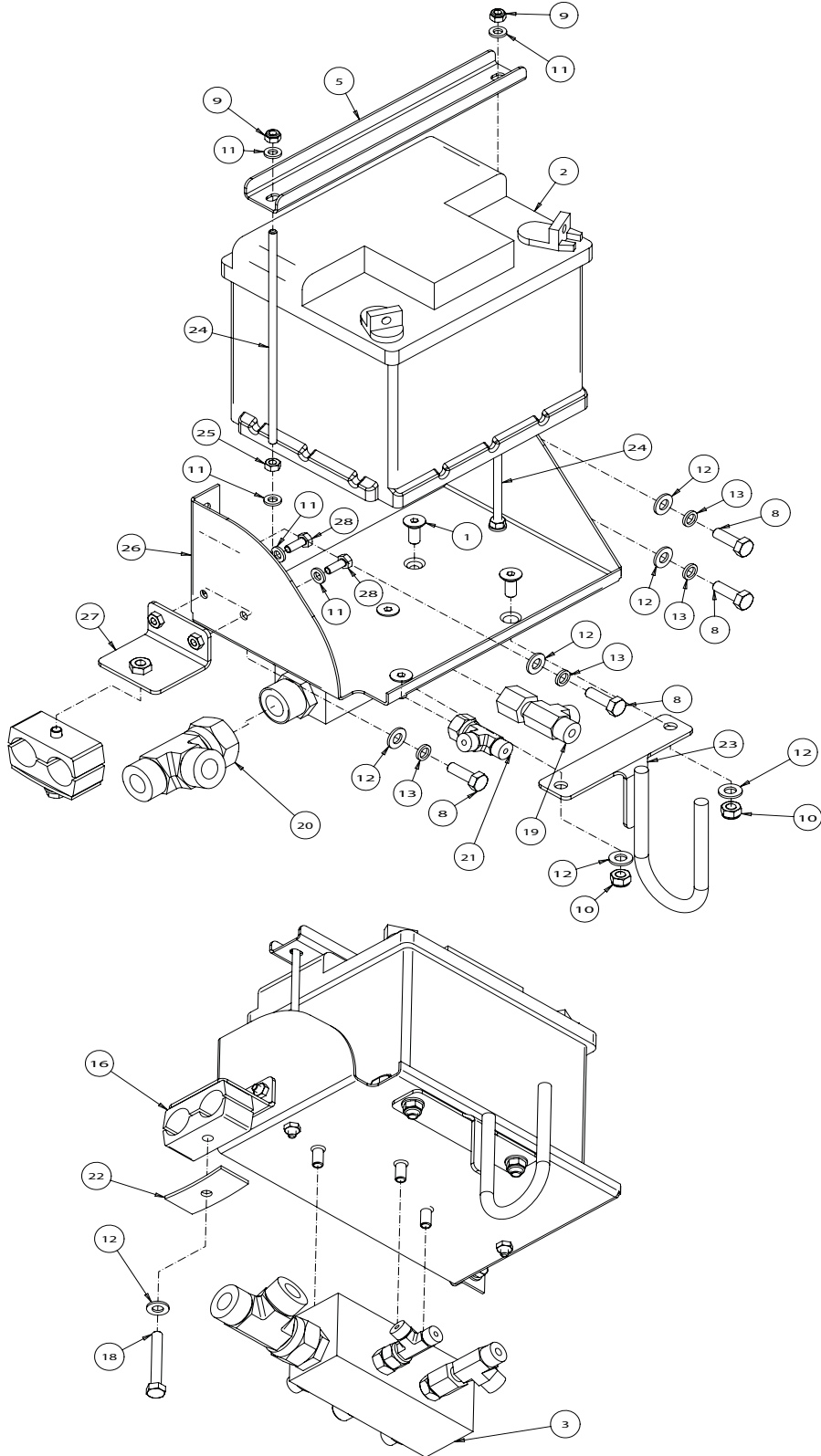
HYDRAULIC TANK AND MOUNTING FRAME

ITEM	PART NO.	DESCRIPTION	QTY.	
1	009151460	Gauge-Oil Level	1	Fitted Assembly
2	2218147	Grommet-Gauge	1	
3	4180320	P-clip, 30 mm	2	
4	4212881	Wldmt-Tank Support RH	1	
5	4217841	Tank-Hydraulic	1	
6	450213	Screw-Hex M10 x 20	3	
7	450240	Screw-Hex M12 x 25	3	
8	450242	Screw-Hex M12 x 35	1	
9	450378	Nut-Hex M8 Nyloc	2	
10	450390	Washer-M8 x 17 x 1.8	2	
11	450391	Washer-M10 x 21 x 2.2	3	
12	450392	Washer-M12 x 24 x 2.7	3	
13	450412	LockWasher-M10 x 15.9 x 2.65	3	
14	450424	LockWasher-M12 x 21 x 2.65	1	
15	452438	Nut-Hex M12 Flng Nyloc	1	
16	450357	M6 Nutsert	6	
17	158007-08	90-M/M 1-3/16 ORFS x 1-5/16 SAE	1	
*	158061-09	• O Ring (For 1-3/16 UNF)	1	
*	002218146	• O Ring (For 1-5/6 UNF)	1	
18	4216340	90-M/F 1 BSPP x 1 BSPP, Long Drop	1	

BATTERY TRAY

Illustration Number: 4193001-2

1

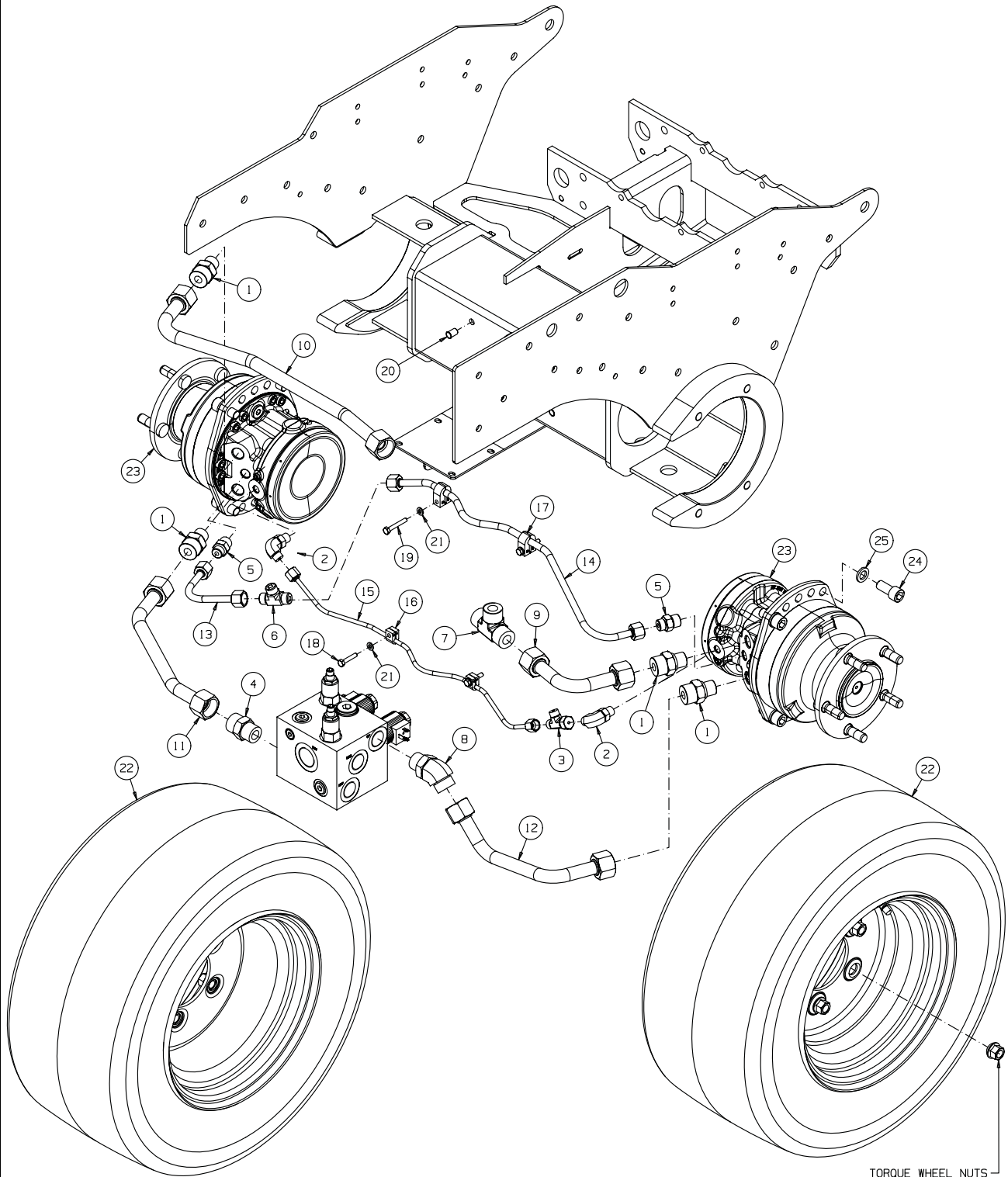


BATTERY TRAY

ITEM	PART NO.	DESCRIPTION	QTY.	
1	450865	Screw-Socket Countersunk M8 x 30	5	
2	008230310	Battery-Type 093	1	
3	4202760	Manifold	1	
5	4235540	Channel-Battery Clamp	1	From S/N: GF000424 GU000302
8	450192	Screw-Hex M8 x 25	4	
9	450377	Nut-Hex M6 Nyloc	2	
11	450389	Washer-M6 x 12.5 x 1.8	6	From S/N: GF000424 GU000302
12	450390	Washer-M8 x 17 x 1.8	7	
13	450411	Lock Washer-M8 x 12.75 x 2.1	4	
16	2208139	Clamp-Twin Tube, 1" Diameter	1	
18	450019	Bolt-Hex M8 x 55	1	
19	002498400	Tee-M/F/M 11/16 ORFS	1	
*	158061-01	• O Ring (For 11/16 UNF)	2	
20	002498870	Tee-M/F/M 1-3/16 ORFS	1	
*	158061-09	• O Ring (For 1-3/16 UNF)	2	
21	002590480	Tee-M/F/M 9/16 ORFS	1	
*	158061-18	• O Ring (For 9/16 UNF)	2	
22	009079310	Top Plate - Tube Clamp	1	
23	4234734	Weldment Hose Routing	1	
24	MBF1290	Stud - M6 x 200	2	From S/N: GF000424 GU000302
25	450323	Nut - Hex M6	2	From S/N: GF000424 GU000302
26	4238890	Battery Tray Weldment	1	From S/N: GF000424 GU000302
27	4236568	Weldment -Bracket, Hose Clamp	1	From S/N: GF000424 GU000302
28	450170	Screw - Hex M6 x 16	2	From S/N: GF000424 GU000302
*	4205248	Battery Positive Cable	1	
*	4205249	Battery Negative Cable	1	

FRONT WHEELS AND MOTORS (POCLAIN)

Illustration Number: 4275610



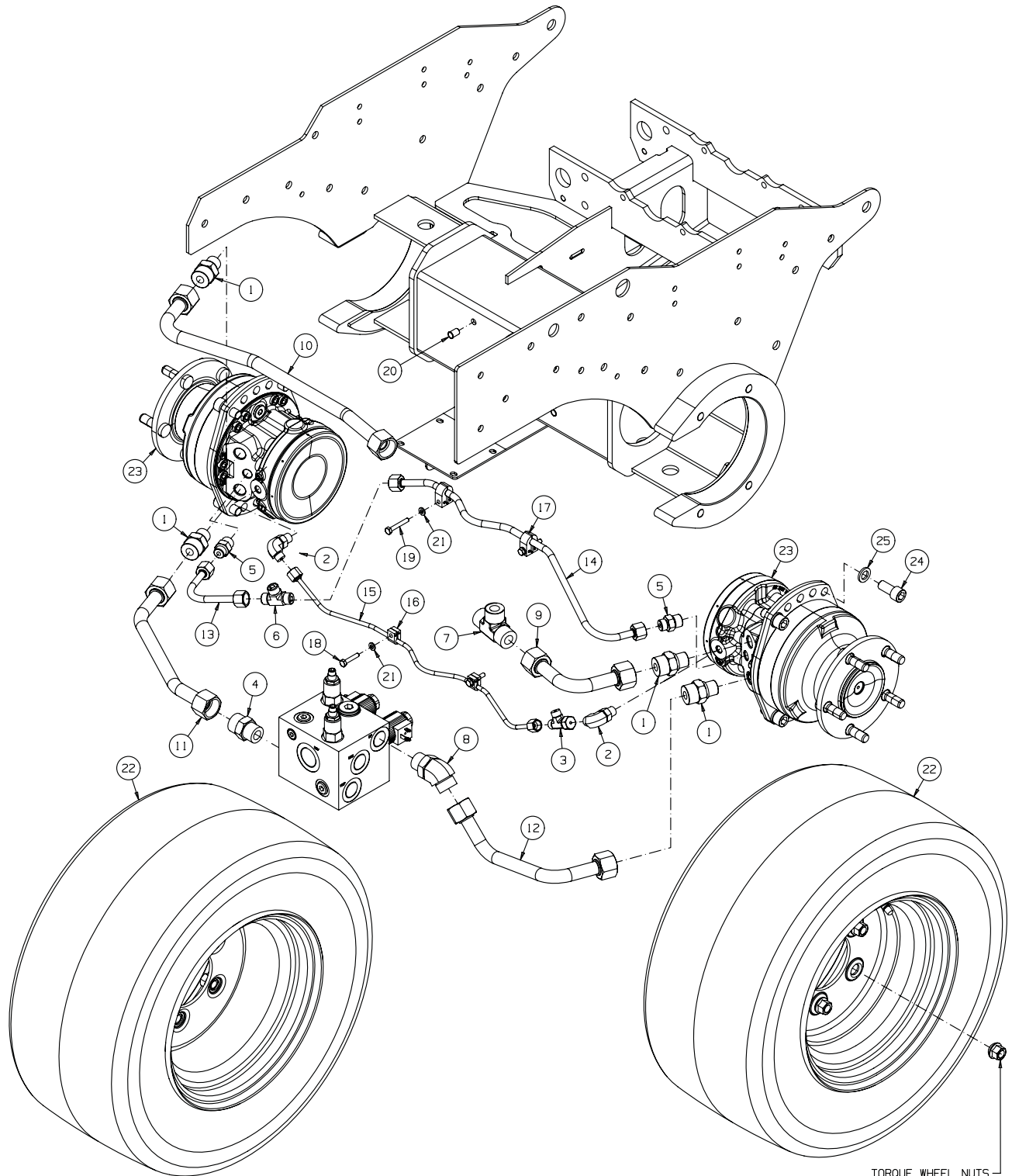
TORQUE WHEEL NUTS
TO 112 ± 10 Nm
(83 ± 7 LBF-FT)

ITEM	PART NO.	DESCRIPTION	QTY.	
1	002515010	Ftg-M/M 1-3/16 ORS x 7/8 SAE	4	
*	158061-09	• O-Ring	1	1-3/16" ORFS
*	002218104	• O-Ring	1	7/8" SAE
2	002525010	90-M/M 9/16 ORS x 9/16 SAE	2	
*	158061-18	• O-Ring	1	9/16" ORFS
*	002218065	• O-Ring	1	9/16" SAE
3	002590480	Tee-M/F/M 9/16 ORS	1	
*	158061-18	• O-Ring	1	9/16" ORFS
4	158006-08	Ftg-M/M 1-3/16 ORS x 1-1/16 SAE	1	
*	158061-09	• O-Ring	1	1-3/16" ORFS
*	002218120	• O-Ring	1	1-1/16" SAE
5	158006-13	Ftg-11/16 ORS x 3/4 SAE	2	
*	158061-01	• O-Ring	1	11/16" ORFS
*	002218081	• O-Ring	1	3/4" SAE
6	158011-01	Tee-M/M/M 11/16 ORS	1	
*	158061-01	• O-Ring	1	11/16" ORFS
7	158011-04	Tee-M/M/M 1.3/16-12 ORFS	1	
*	158061-09	• O-Ring	1	1-3/16" ORFS
8	158059-02	45 M/M-1.1/16 SAE x 1.3/16 ORFS	1	
*	158061-09	• O-Ring	1	1-3/16" ORFS
*	002218120	• O-Ring	1	1-1/16" SAE
9	4275611	Tube-RH Mtr (Top Port) to Tee	1	
10	4282052	Hose-LH Mtr To Tee	1	to S/N GF000615 & GU000304
10	4275612	Tube-LH Mtr (Top Port) to Tee	1	from S/N GF000616 & GU000305
11	4282053	Hose-LH Mtr To Trans Valve LF	1	to S/N GF000615 & GU000304
11	4275616	Tube-LH Mtr (Lwr Port) to Valve LF	1	from S/N GF000616 & GU000305
12	4282054	Hose-RH Mtr To Trans Valve RF	1	to S/N GF000615 & GU000304
12	4275614	Tube-RH Mtr (Lwr Port) to Valve RF	1	from S/N GF000616 & GU000305
13		Tube-LH Mtr (Drain Port) To Tee	1	
14	4282055	Hose-RH Mtr (Drain Port) To Tee	1	to S/N
14	4275616	Tube-RH Mtr (Drain Port) to Tee	1	from S/N GF000616 & GU000305
15	4282056	Hose-LH Mtr (Brake Port) To Tee	1	to S/N GF000615 & GU000304
15	4275617	Tube-LH Mtr (Brake Port) to Tee	1	from S/N GF000616 & GU000305
16	4275870	P-clip	1	to S/N GF000615 & GU000304
16	4275870	Single Tube Clamp (6 mm)	2	from S/N GF000616 & GU000305
17	450170	Scrw-Hex M6-1.0 x 16, Gr 8.8	1	to S/N GF000615 & GU000304
17	4275871	Single Tube Clamp (10 mm)	2	from S/N GF000616 & GU000305
18	450001	Bolt-Hex M6 x 9.6 x 1.5	2	
19	450003	Bolt-Hex M6 x 40	2	
20	450357	M6-1.0 (A-K) Nutsert (0.7-4.2 G/L)	4	
21	450389	Lockwshr-M6 x 9.6 x 1.5	4	
22	4237067	Asm-Whl 23 x 10.5 x 12	2	6 Ply Rating
*	4233922	• Tyre	1	

* Not illustrated

FRONT WHEELS AND MOTORS (POCLAIN)

Illustration Number: 4275610



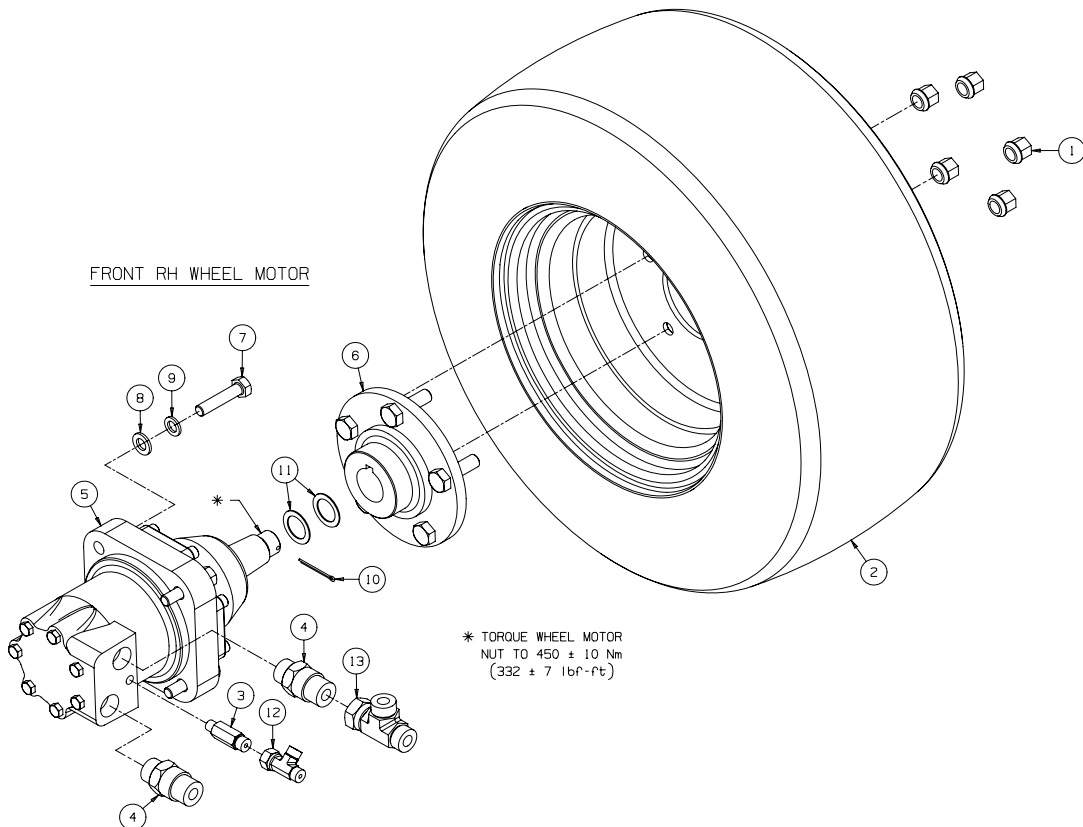
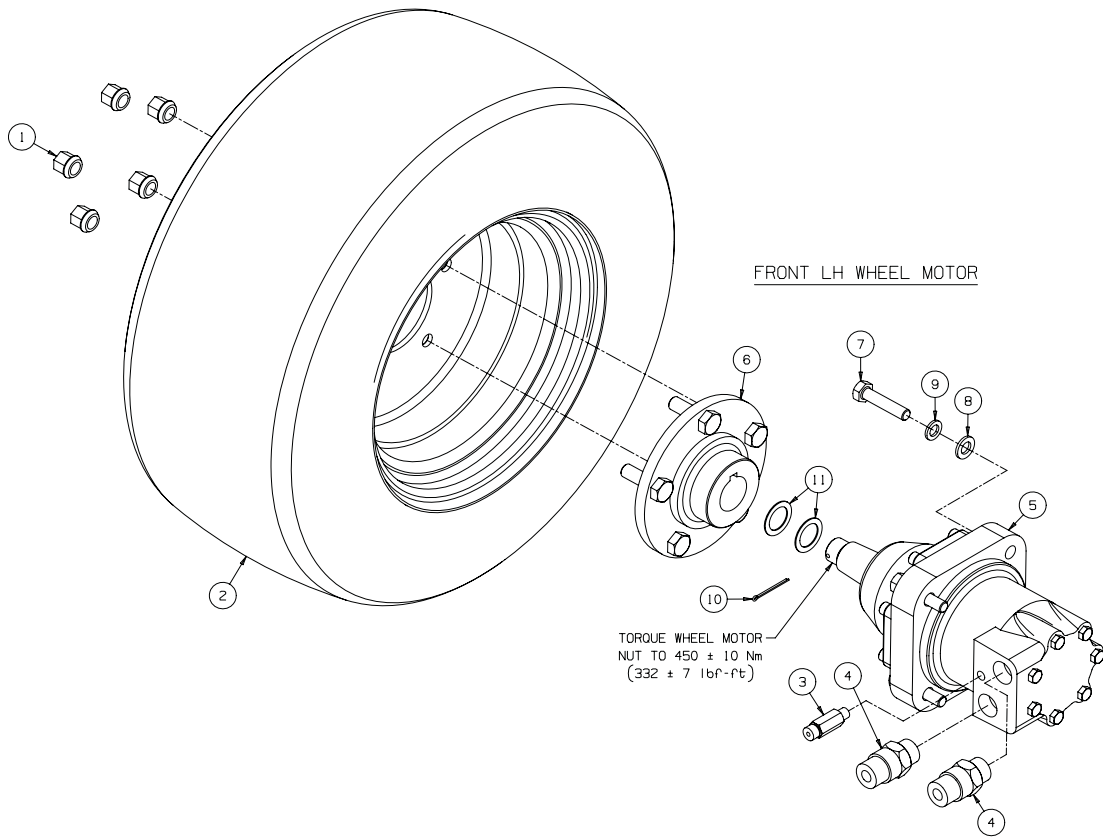
TORQUE WHEEL NUTS
TO 112 ± 10 Nm
(83 ± 7 LBF-FT)

ITEM	PART NO.	DESCRIPTION	QTY.	
*	4225061	• Rim	1	
*	4220940	• Valve	1	
22 *	4225100	Asm-Whl 23x10.5x12	1	Aramide
*	4220720	• Aramide Tyre	1	
*	4225061	• Rim	1	
*	4220940	• Valve	1	
23	4252567	213cc Piston Wheel Mtr (SAE Ports)	2	Poclain
*	4229520	• Motor Seal Kit	1	
*	4229521	• Multi-Disc Brake Seal Kit	1	
*	008008460	• Wheel Nut, M14 Spherical	5	Torque 95 - 108NM
24	4228802	Capscrw-Hex Sckt M14-1.5 x 30	8	
25	001594200	Lockwshr-M14 x 24.1 x 3	8	
26 *	4281971	Hose-Brake Valve PB to RH Mtr Tee	1	
27 *	4282057	Hose-Trans Pump B to RH Mtr Tee	1	
28 *	4282058	Hose-LH Mtr Tee to Drain Manifold	1	

* Not illustrated

FRONT WHEELS AND MOTORS (SAUER-DANFOSS)

Illustration Number: 4192983

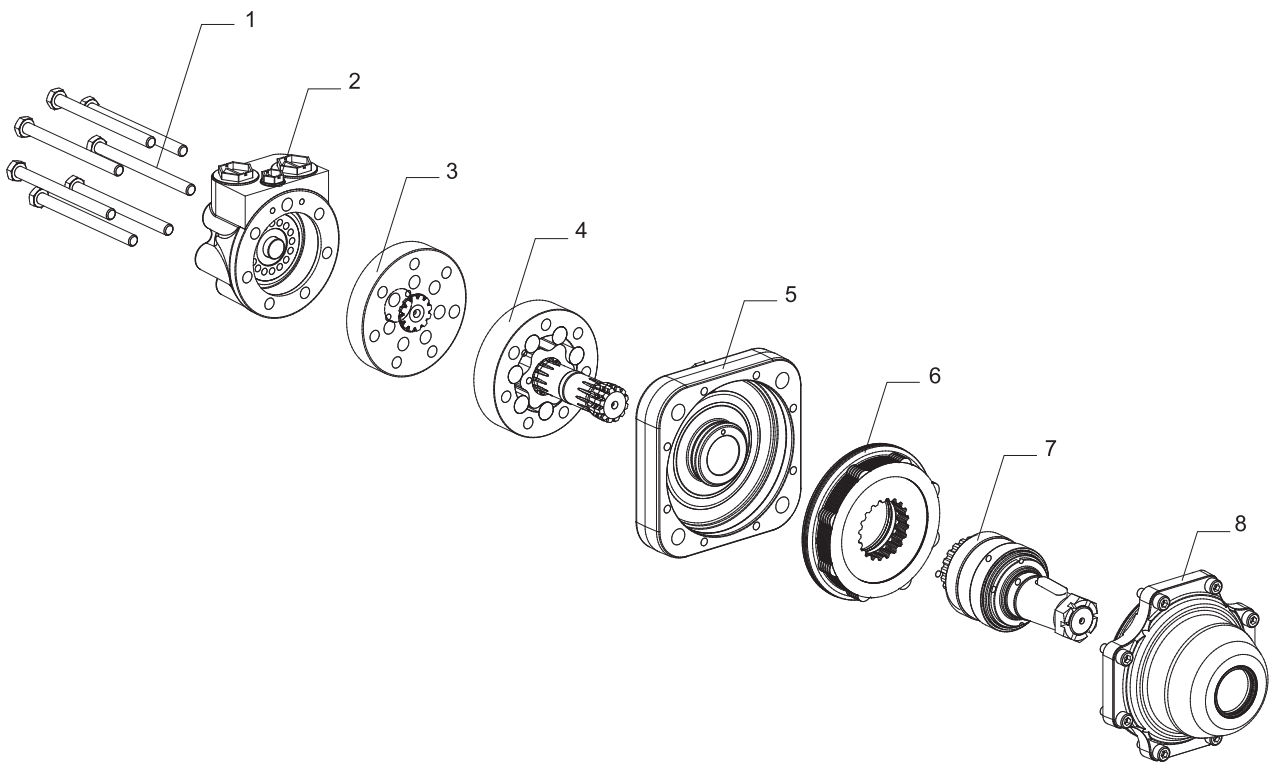


FRONT WHEELS AND MOTORS (SAUER-DANFOSS)

ITEM	PART NO.	DESCRIPTION	QTY.	
1		to S/N GF000615 & GU000304		
1	008008460	Wheel Nut, M14 Spherical	10	Torque 95 -108NM
2	008162580	Asm-Whl 23 x 10.50 x 12	2	6 Ply Rating
	008162790	• Rim	1	
	008170940	• Tyre	1	
	008162770	Asm-Whl 23 x 10.50 x 12	2	Aramide
	008162790	• Rim	1	
	008174110	• Tyre	1	
3	4127555	Ftg-Lg 9/16 ORFS x 7/16 SAE	2	
*	158061-18	• O Ring (For 9/16 UNF)	1	
*	002218049	• O Ring (For 7/16 UNF)	1	
4	4130606	Ftg-Lg 1 ORFS x 1.1/16 SAE	4	
*	158061-08	• O Ring (For 1 UNF)	1	
*	002218120	• O Ring (For 1-1/16 UNF)	1	
5	4130773	Motor-Wheel, Danfoss TMK200FL	2	
6	4210622	Wldmt-Front Wheel Hub	2	
7	450051	Bolt-Hex M12 x 55	8	
8	450392	Washer-M12 x 24 x 2.7	8	
9	450424	LockWasher-M12 x 21 x 2.65	8	
10	454000328	Split Pin-1/8 x 1.3/4	2	
11	J345699	Washer-1.015 x 1.465 x .046	4	
12	002590480	Tee-M/F/M 9/16 ORFS	1	
*	158061-18	• O Ring (For 9/16 UNF)	1	
13	158010-02	Tee-M/F/M 1 ORFS	1	
*	158061-08	• O Ring (For 1 UNF)	1	

FRONT WHEEL MOTOR, DANFOSS (4130773)

Illustration Number: 4130773

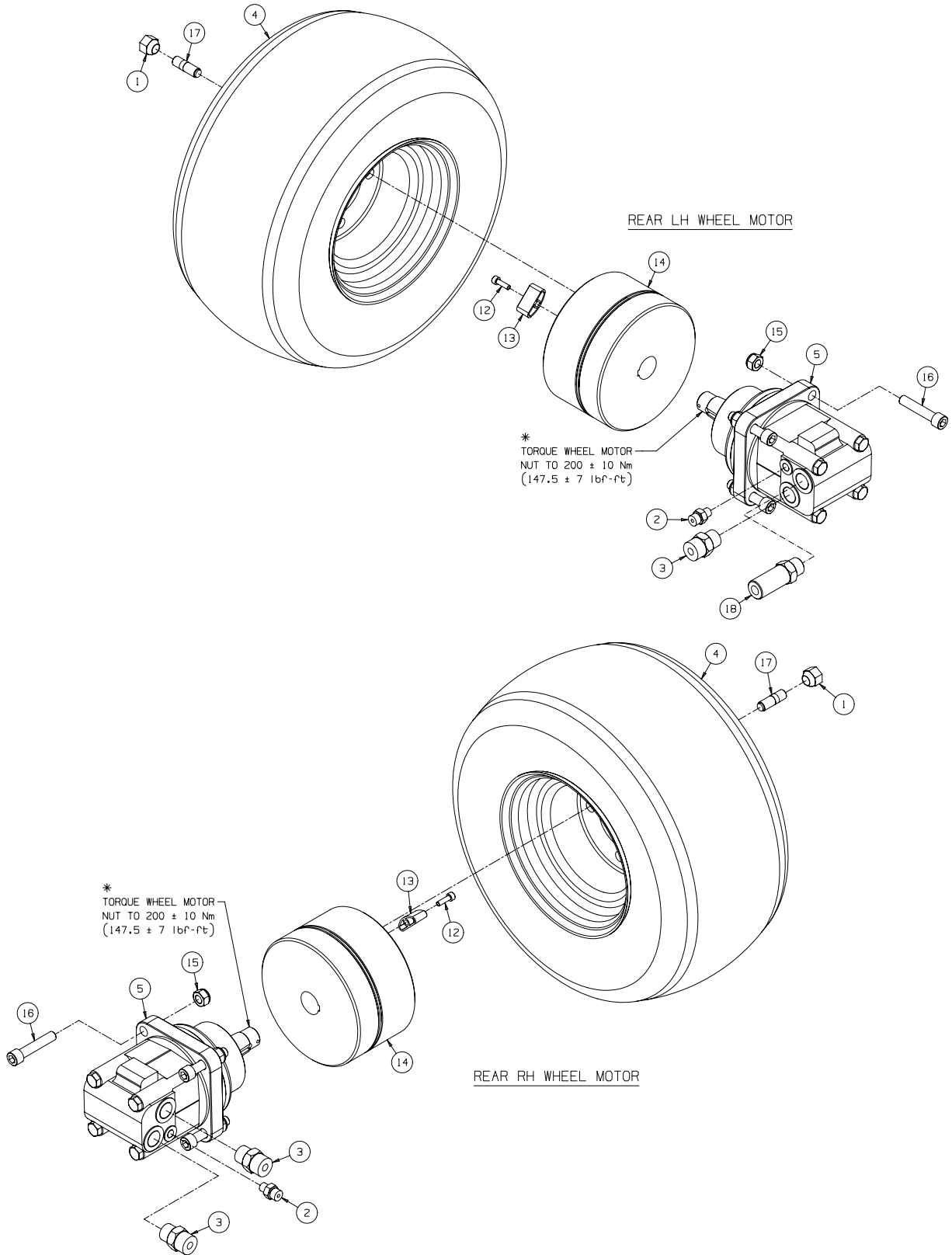


FRONT WHEEL MOTOR, DANFOSS (4130773)

ITEM	PART NO.	DESCRIPTION	QTY.	
	4130773	Wheel Motor	1	
1	4134010	• Screw Module	1	
2	4134012	• End Cover	1	
3	4134013	• Valve Module	1	
4	4134014	• Gear Set	1	
5	4134015	• Mounting Flange Module	1	
6	4134016	• Brake Module	1	
7	4134018	• Shaft Module	1	
8	4134019	• Bearing Housing Module	1	
100	4134020	• Seal Kit	1	

REAR WHEEL AND MOTOR

Illustration Number: 4192984

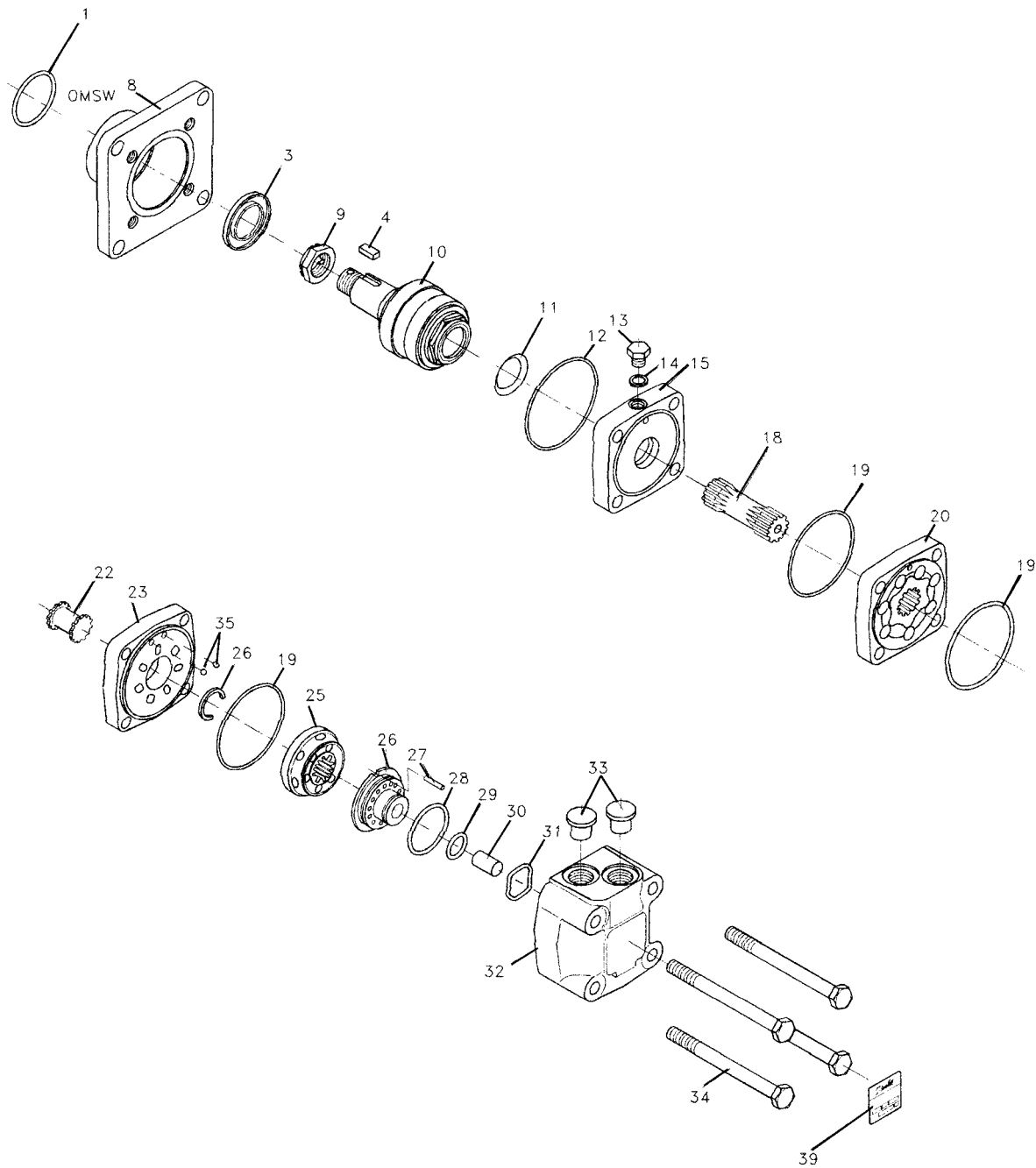


REAR WHEEL AND MOTOR

ITEM	PART NO.	DESCRIPTION	QTY.	
1	001341110	Nut-Wheel	8	Torque - 95 - 108NM
2	002515000	Ftg-9/16 ORFS x 7/16 SAE	2	
*	158061-18	• O Ring (For 9/16 UNF)	1	
*	002218049	• O Ring (For 7/16 UNF)	1	
3	158006-07	Ftg-M/M 1 ORFS x 7/8 SAE	3	
*	158061-08	• O Ring (For 1 UNF)	1	
*	002218104	• O Ring (For 7/8 UNF)	1	
		WL068 Wheel Kit		
4	4302673	Wheel And Tyre Assembly	1	
		18x8.5x8 4 Ply - 4 Bolt (1-piece Rim)		
	4233960	Tyre 18x8.5x8-4 Ply Otr Grassmaster	1	
	4293444	1 Piece Rolled Rim- 8 X 7	1	
	4220940	Tubeless Tyre Valve Assy - Tr412	1	
5	4139426	Motor-Wheel, Danfoss OMSW 160	2	
12	4183560	CapScrew M8 x 20	2	
13	4192800	Hub Wheel Nut	2	
14	4192803	Wheel Hub, Rear	2	
15	450380	Nut-Hex M12 Nyloc	8	
16	420760	CapScrew M12 x 60	8	
17	456800237	Wheel Stud	8	
18	002590890	Ftg-Long M/M 1 ORFS x 7/8 SAE	1	
*	158061-08	• O Ring (For 1 UNF)	1	
*	002218104	• O Ring (For 7/8 UNF)	1	

REAR WHEEL MOTOR, DANFOSS OMSW160 (4139426)

Illustration Number: 4139426

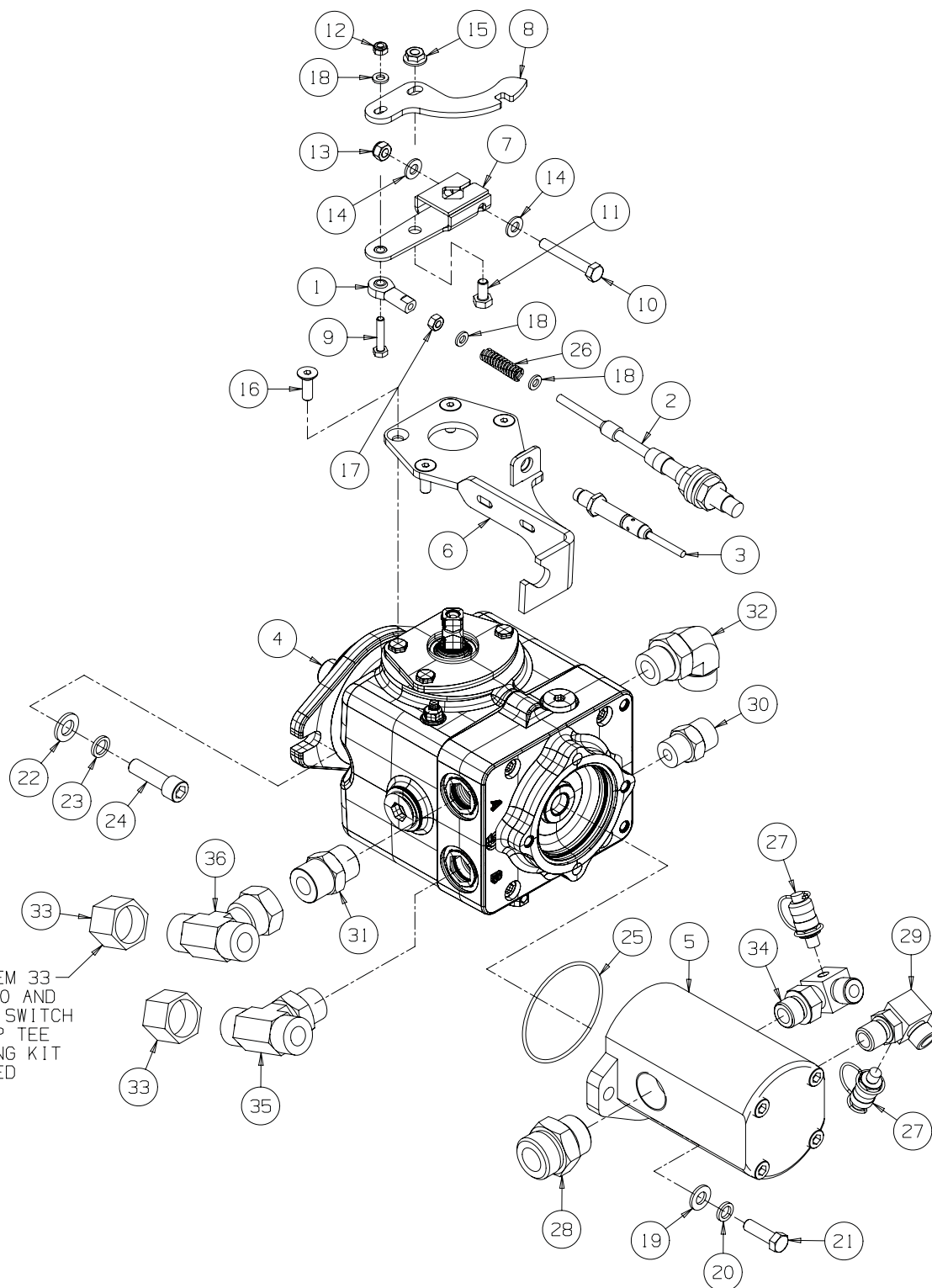


REAR WHEEL MOTOR, DANFOSS OMSW160 (4139426)

ITEM	PART NO.	DESCRIPTION	QTY.	
	4139426	Motor-Wheel, Danfoss OMSW 160	1	
1	+	• O Ring	1	
3	+	• Shaft Seal	1	
4	008007810	• Parallel Key 5/16 x 5/16 x 1 1/4	1	
8		• Bearing Housing	1	
9	008007820	• Castellated Nut (1-20 UNEF)	1	
10		• Shaft	1	
11	+	• Seal Ring	1	
12	+	• O Ring	1	
13		• Drain Plug G $\frac{1}{4}$ (ISO228/1)	1	
14		• Washer 13.5 x 17.5 x 1.5 mm	1	
15		• Intermediate Plate	1	
18		• Cardan Shaft	1	
19	+	• O Ring	3	
20		• Gear Wheel Set	1	
22		• Valve Drive	1	
23		• Channel Plate	1	
25		• Disc Valve	1	
26		• Balance Plate	1	
27		• Guide Pin 4 mm Dia x 20 mm Lg	1	
28	+	• O Ring	1	
29	+	• O Ring	1	
30		• Spacer	1	
31		• Spring Washer	1	
32	N/A	• Valve Housing	1	
33		• Seal Plug	2	
34		• Bolt	4	
35		• Guide Pin 4 mm Dia x 6 mm Lg	1	
39	N/A	• Name Plate	1	
100	002300620	Items Marked + Part of • Seal Kit	1	Items : 1,3,11,12,19,28 & 29

PUMPS

Illustration Number: 4192993-3

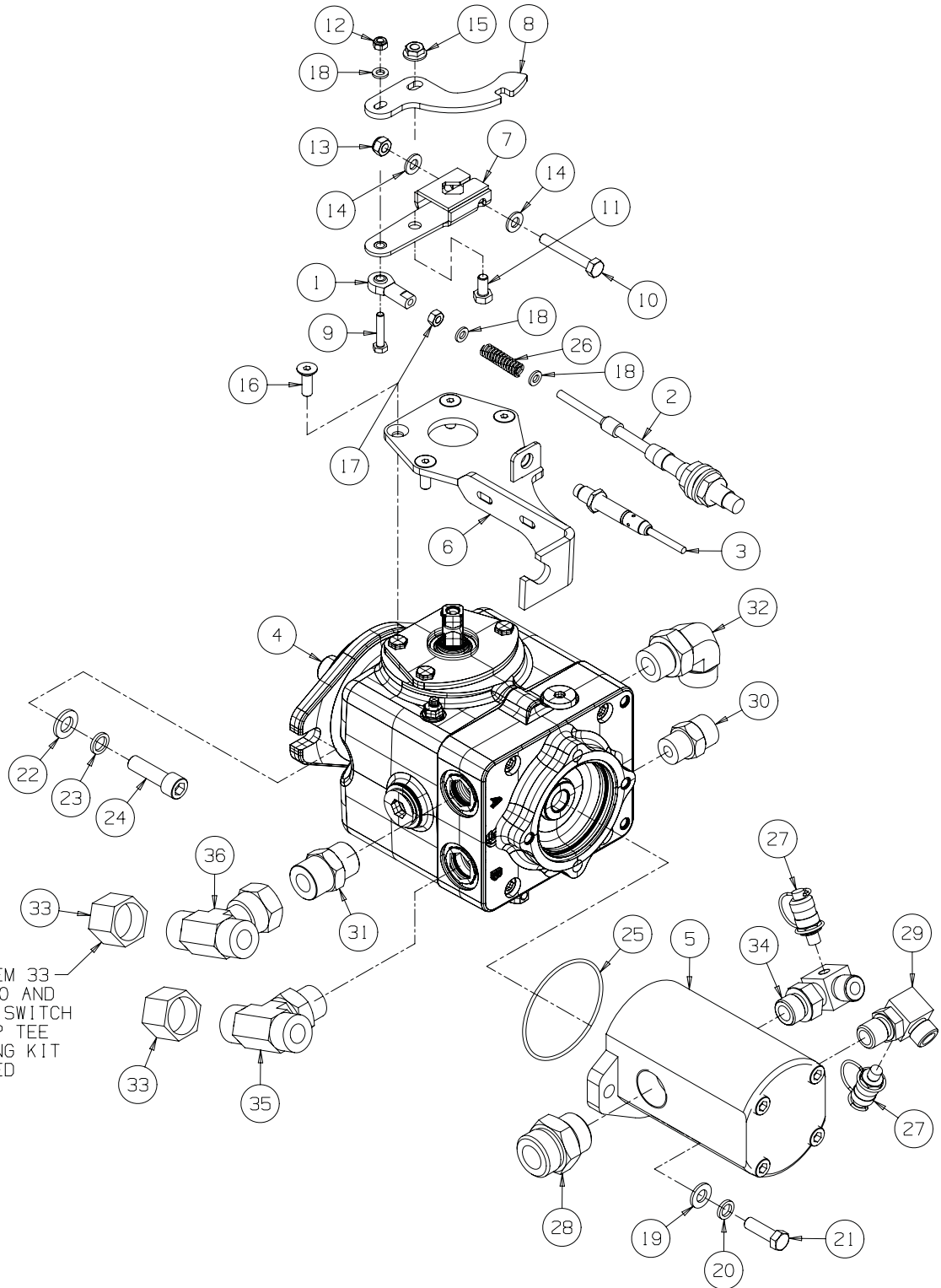


PUMPS

ITEM	PART NO.	DESCRIPTION	QTY.	
1	128079	1/4" Rod End	1	
2	4213940	Control Cable	1	
3	4197063	Inductive Sensor	1	
4	4203740	Transmission Pump	1	
5	4177940	Pump-Cutter and Steering	1	
*	4177942	Seal Kit for 4177940		
6	4201200	Wldmt-Bracket, Cable Abutment	1	
7	4201210	Wldmt-Control Arm	1	
8	4202240	Actuator-Neutral Switch	1	
9	450001	Bolt-Hex M6 x 30	1	
10	450019	Bolt-Hex M8 x 55	1	
11	450190	Screw-Hex M8 x 16	1	
12	450377	Nut-Hex M6 Nyloc	1	
13	450378	Nut-Hex M8 Nyloc	1	
14	450390	Washer-M8 x 17 x 1.8	2	
16	450866	Screw-Sckt Csk M8 x 25	4	
17	450020231	Nut-Hex 1/4-28 Thin	1	From S/N: GF000366 and GU000302.
18	450389	Washer-M6 x 12.5 x 1.8	3	
19	450391	Washer-M10 x 21 x 2.2	2	
20	450412	LockWasher-M10 x 15.9 x 2.65	2	
21	456110448	Screw-Hex 3/8-16 x 1.1/4	2	
22	450392	Washer-M12 x 24 x 2.7	2	
23	450413	LockWasher-M12 x 17.9 x 2.65	2	
24	450756	CapScrew-Sckt M12 x 40	2	
25	002211520	O-ring 82.22 ID x 2.62 Sect	1	
26	4231340	Sprg-Comp 11.13 x 1.42 x 25.4	1	From S/N: GF000366 and GU000302.
27	002449048	Test Point-1/8 BSPP x M16	2	
28	002515050	Ftg-1.7/16 ORFS x 1.5/16 SAE	1	
*	158061-19	• O Ring (For 1.7/16 UNF)	1	
*	002218146	• O Ring (For 1.5/16 UNF)	1	
29	002590050	90-M/M/F 13/16 ORFS x 7/8 SAE	1	x 1/8 BSPP
*	158061-02	• O Ring (For 13/16 UNF)	1	
*	002218104	• O Ring (For 7/8 UNF)	1	
30	158006-07	Ftg-M/M 1 ORFS x 7/8 SAE	1	
*	158061-08	• O Ring (For 1 UNF)	1	
*	002218104	• O Ring (For 7/8 UNF)	1	
31	158006-08	Ftg-M/M 1.3/16 ORFS x 1.1/16 SAE	1	
*	158061-09	• O Ring (For 1.3/16 UNF)	1	
*	002218120	• O Ring (For 1.1/16 UNF)	1	
32	158007-07	90-M/M 1.3/16 ORFS x 1.1/16 SAE	1	
*	158061-09	• O Ring (For 1.3/16 UNF)	1	
*	002218120	• O Ring (For 1.1/16 UNF)	1	
33	4139161	Cap-1.3/16 ORFS	2	

PUMPS

Illustration Number: 4192993-3

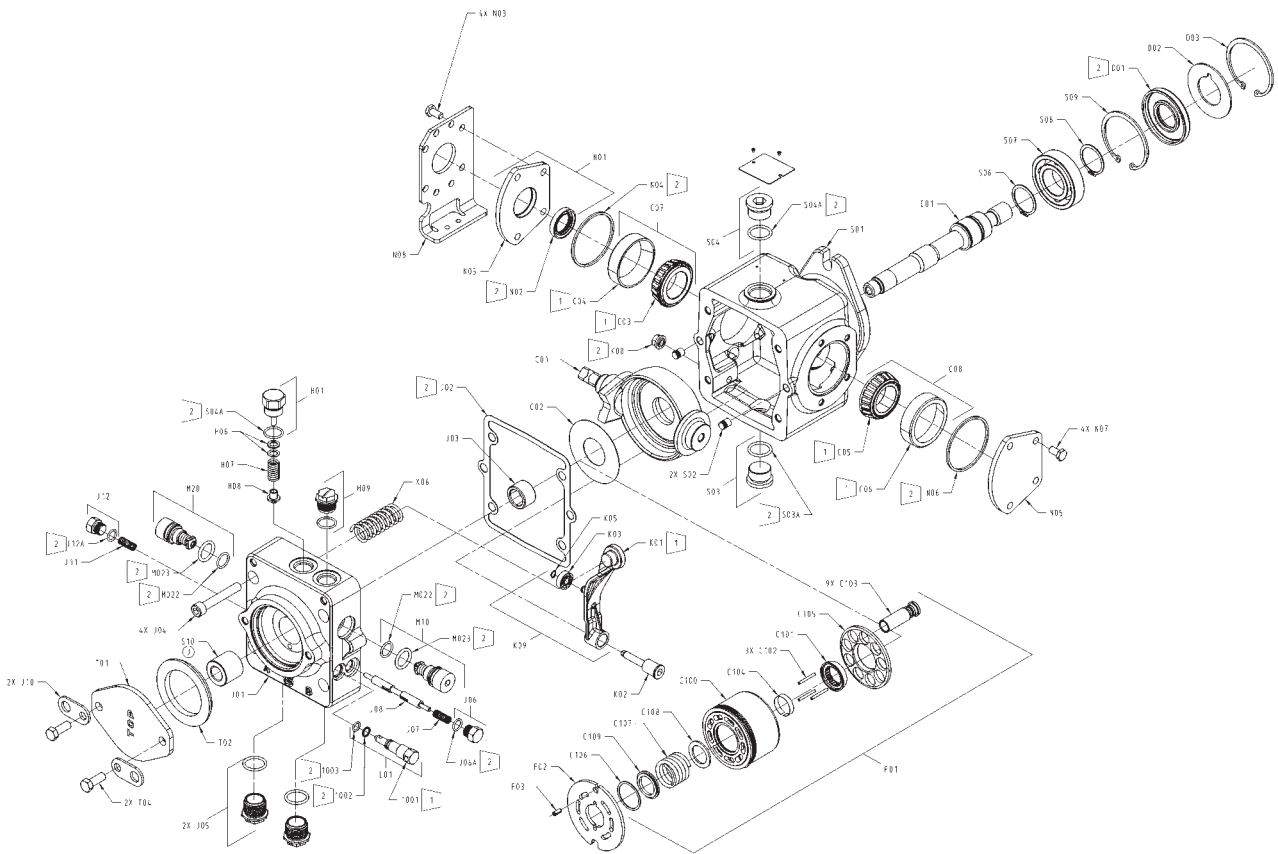


PUMPS

ITEM	PART NO.	DESCRIPTION	QTY.	
34	4171621	90-M/M/F 13/16 ORFS x 7/8 SAE	1	x 1/8 BSPP
*	158061-02	• O Ring (For 13/16 UNF)	1	
*	002218104	• O Ring (For 7/8 UNF)	1	
35	4188084	Tee-M/M/M 1.3/16 ORFS (2)	1	x 1.1/16 SAE
*	158061-09	• O Ring (For 1.3/16 UNF)	3	
36	69057-02	Tee-M/F/M 1.3/16 ORFS	1	
*	158061-09	• O Ring (For 1.3/16 UNF)	1	

TRANSMISSION PUMP, SAUER DANFOSS (4162660)

Illustration Number: 4162660

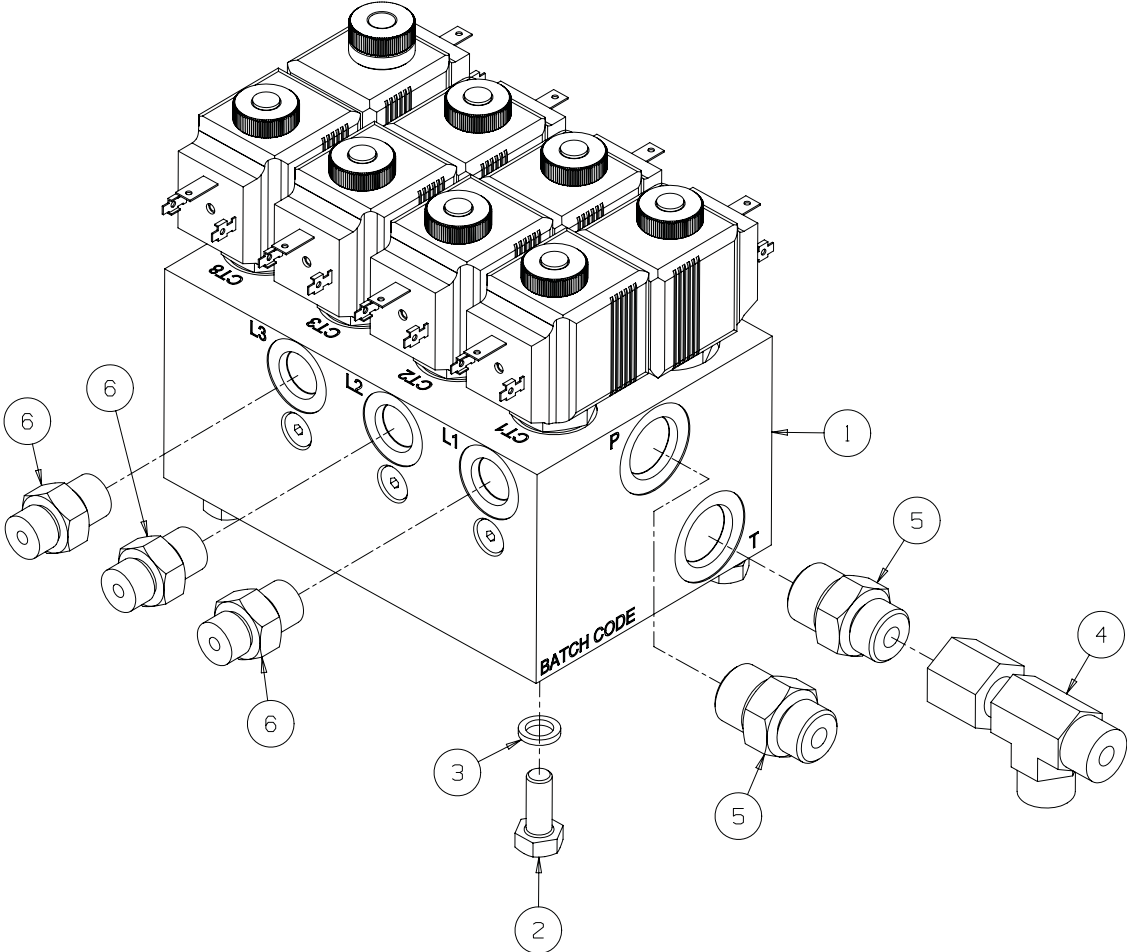


TRANSMISSION PUMP, SAUER DANFOSS (4162660)

ITEM	PART NO.	DESCRIPTION	QTY.	
	4162660	Pump-Transmission, LPV035	1	
2	4169328	Seal Kit	1	Comprises items marked *
*	1002	O-Ring	1	Not available separately
*	1003	O-Ring	1	Not available separately
*	D01	Seal	1	Not available separately
*	J02	Gasket	1	Not available separately
*	J06A	O-Ring	1	Not available separately
*	J12A	O-Ring	1	Not available separately
*	K08	Nut	1	Not available separately
*	M022	O-Ring	2	Not available separately
*	M023	O-Ring	1	Not available separately
*	N02	Seal	1	Not available separately
*	N04	Seal	1	Not available separately
*	N06	Seal	1	Not available separately
*	S03A	Seal	1	Not available separately
*	S04A	O-Ring	2	Not available separately

LIFT VALVE

Illustration Number: 4192996-2

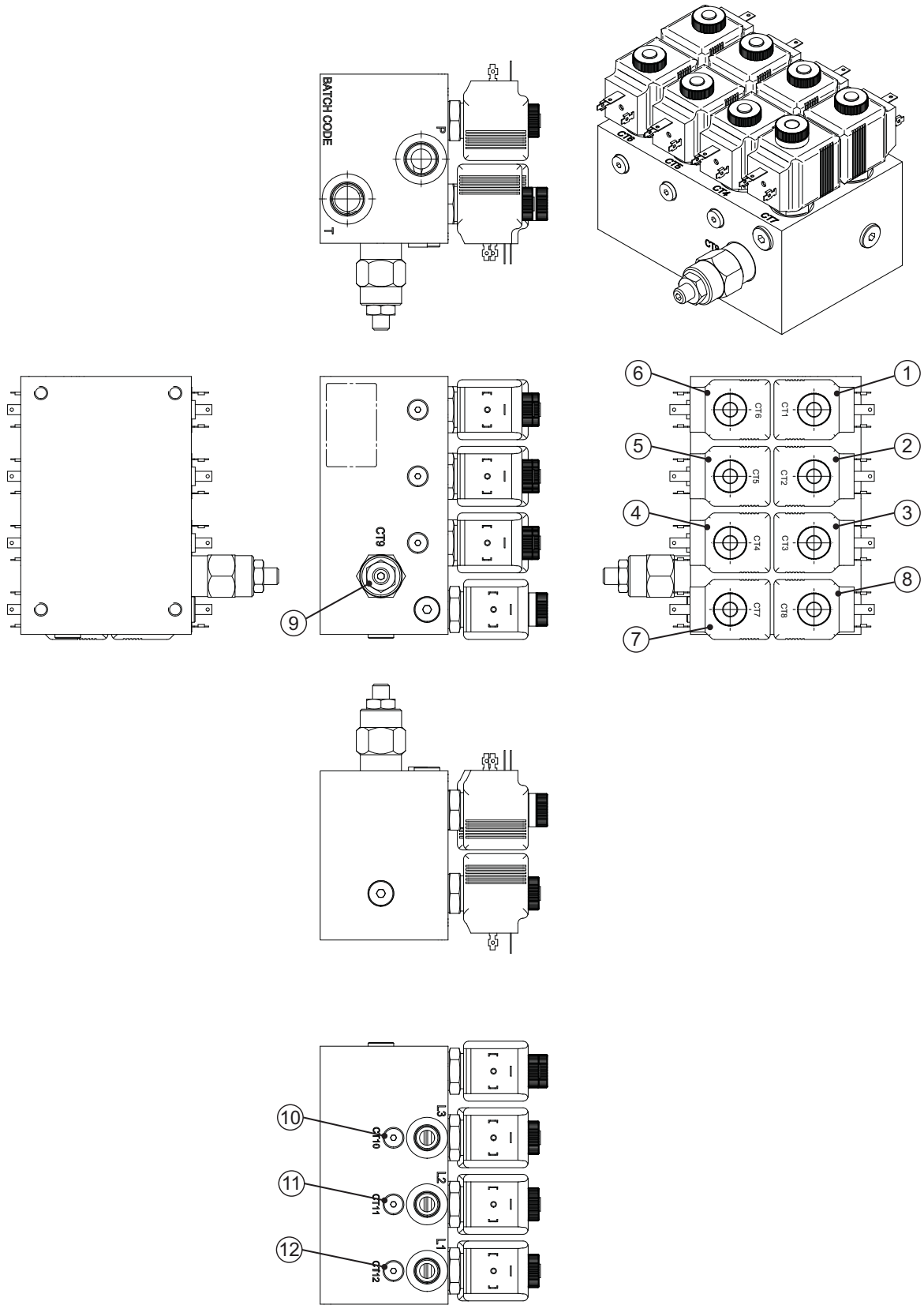


LIFT VALVE

ITEM	PART NO.	DESCRIPTION	QTY.	
1	4198280	Lift Valve	1	
2	450191	Screw-Hex M8 x 20	4	
3	450411	LockWasher-M8 x 12.75 x 2.1	4	
4	002498400	Tee-M/F/M 11/16 ORFS	1	
*	158061-01	• O Ring (For 11/16 UNF)	2	
5	158006-13	Ftg-11/16 ORFS x 3/4 SAE	2	
*	158061-01	• O Ring (For 11/16 UNF)	1	
*	002218081	• O Ring (For 3/4 UNF)	1	
6	158006-15	Ftg-9/16 ORFS x 9/16 SAE	3	
*	158061-18	• O Ring (For 9/16 UNF)	1	
*	002218065	• O Ring (For 9/16 UNF)	1	

LIFT VALVE (4198280)

Illustration Number:4198280_lift_valve

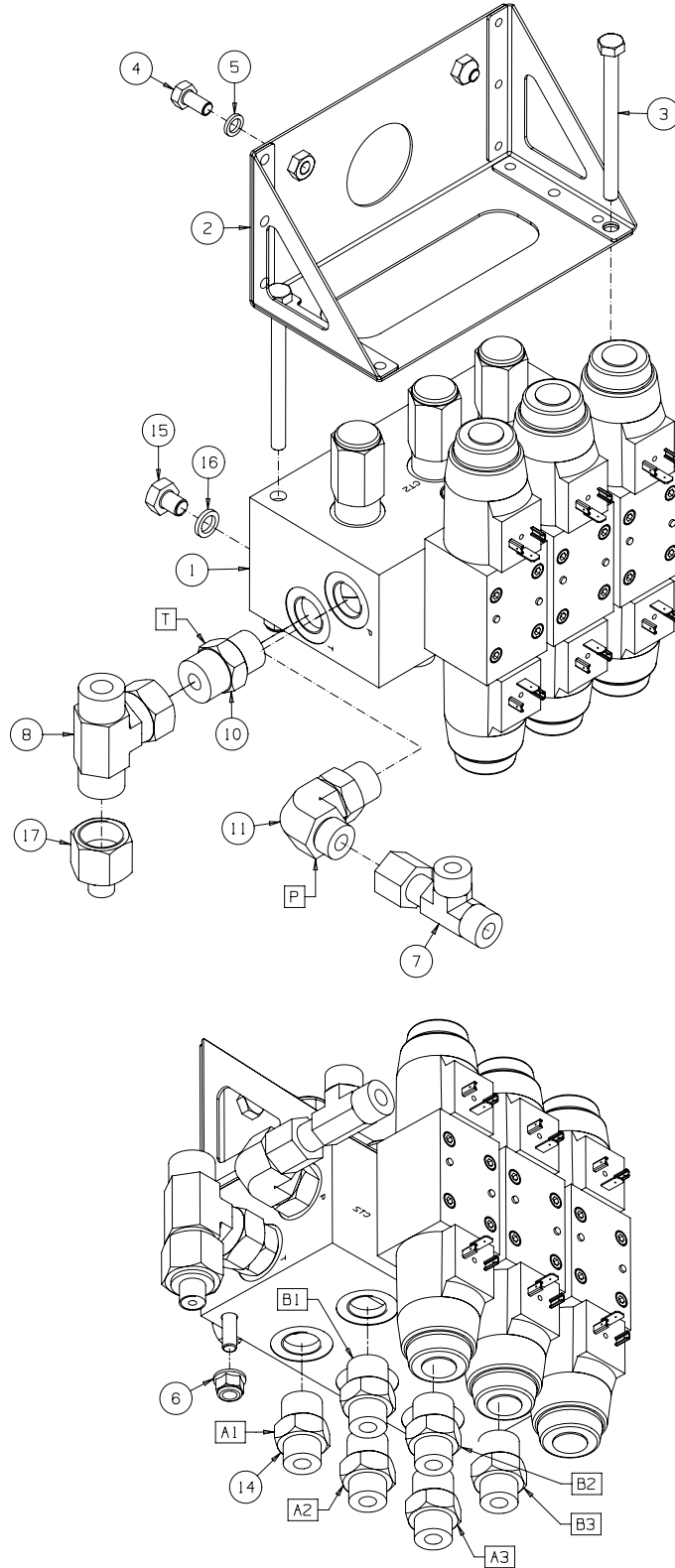


LIFT VALVE (4198280)

ITEM	PART NO.	DESCRIPTION	QTY.	
	4198280	Lift Valve	1	
1	4280513	• Solenoid Valve	1	Torque 20 Nm
2	4280513	• Solenoid Valve	1	Torque 20 Nm
3	4280513	• Solenoid Valve	1	Torque 20 Nm
4	4280514	• Solenoid Valve	1	Torque 20 Nm
5	4280514	• Solenoid Valve	1	Torque 20 Nm
6	4280514	• Solenoid Valve	1	Torque 20 Nm
7	4280515	• Solenoid Valve	1	Torque 20 Nm
8	4280516	• Solenoid Valve	1	Torque 20 Nm
9	4280517	• Relief Valve	1	Torque 45 Nm
10	4280518	• M6 x 0.75 Orifice	1	Torque 2.0-3.0 Nm
11	4280518	• M6 x 0.75 Orifice	1	Torque 2.0-3.0 Nm
12	4280518	• M6 x 0.75 Orifice	1	Torque 2.0-3.0 Nm

CUTTER VALVE

Illustration Number: 4192997-2



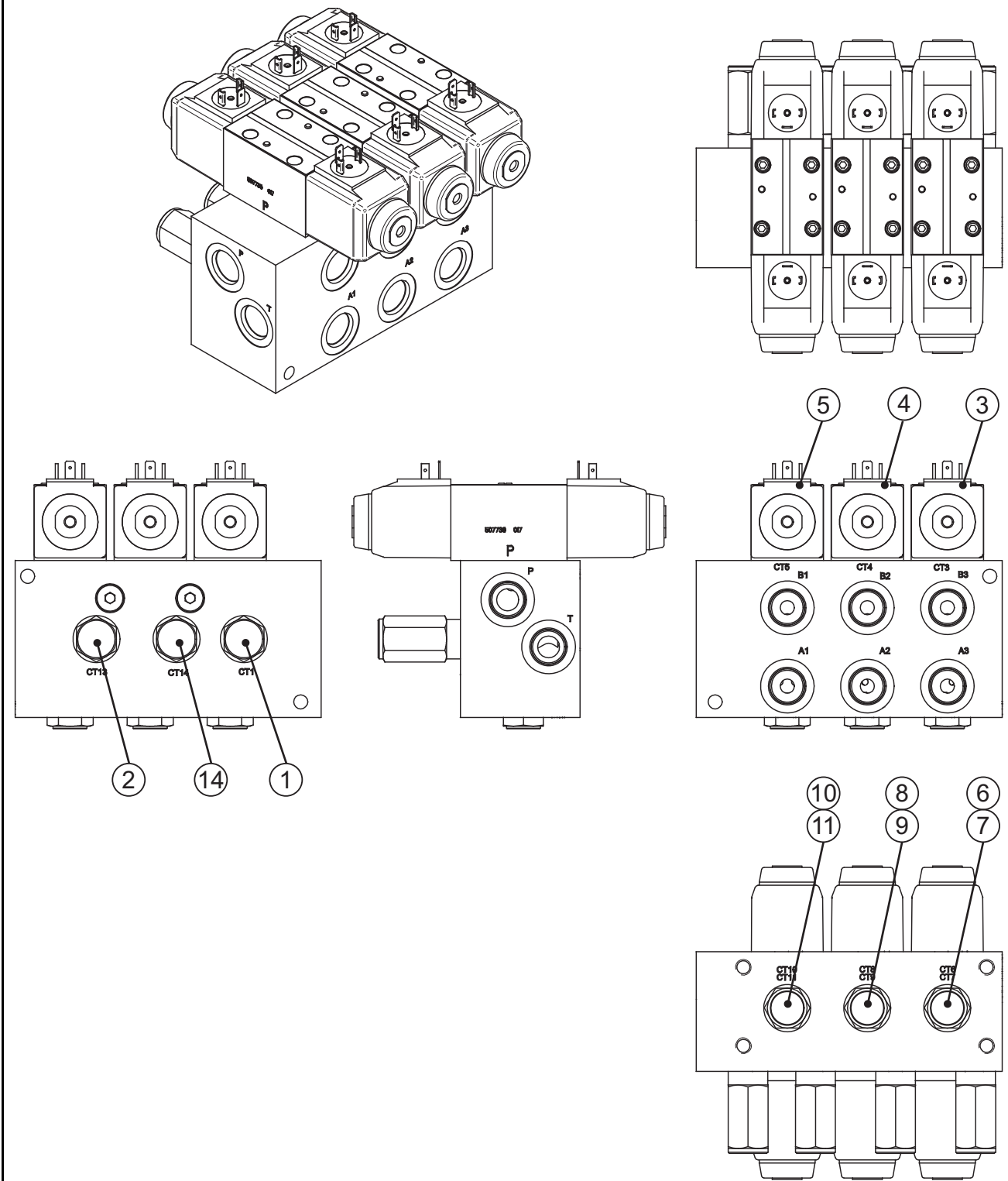
LABELS A1 TO T DENOTE THE VALVE PORTS

CUTTER VALVE

ITEM	PART NO.	DESCRIPTION	QTY.	
1	4198281	Cutter Valve	1	
2	4211220	Wldmt-Cutter Valve Bracket	1	
3	450027	Bolt-Hex M8 x 100	2	
4	450190	Screw-Hex M8 x 16	4	
5	450411	LockWasher-M8 x 12.75 x 2.1	4	
6	452436	Nut-Hex M8 Flng Nyloc	2	
7	002498490	Tee-M/F/M 13/16 ORFS	1	
*	158061-02	• O Ring (For 13/16 UNF)	2	
8	002540010	Tee-M/M/F 1 ORFS	1	
*	158061-08	• O Ring (For 1 UNF)	1	
10	158006-07	Ftg-M/M 1 ORFS x 7/8 SAE	1	
*	158061-08	• O Ring (For 1 UNF)	1	
*	002218104	• O Ring (For 7/8 UNF)	1	
11	158007-03	90-M/M 13/16 ORFS x 7/8 SAE	1	
*	158061-02	• O Ring (For 13/16 UNF)	2	
*	002218104	• O Ring (For 7/8 UNF)	1	
14	158006-06	Ftg-M/M 13/16 ORFS x 7/8 SAE	6	
*	158061-02	• O Ring (For 13/16 UNF)	2	
*	002218104	• O Ring (For 7/8 UNF)	1	
15	450210	Screw-Hex M10 x 12	2	
16	450412	LockWasher-M10 x 15.9 x 2.65	2	
17	002590440	Reduce-F/M 1 ORS x 9/16 ORS	1	Fitted from S/N : GF000358 &
*	158061-08	• O Ring (For 1 UNF)	1	GU000302
*	158061-18	• O Ring (For 9/16 UNF)	1	

CUTTER VALVE (4198281)

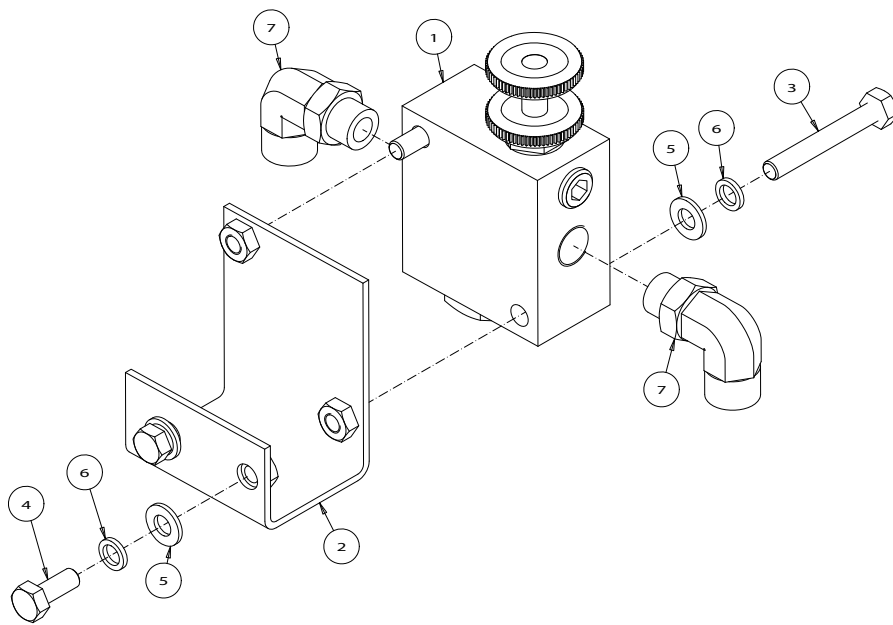
Illustration Number: 4198281_cutter_valve.eps



CUTTER VALVE (4198281)

ITEM	PART NO.	DESCRIPTION	QTY.	
	4198281	Cutter Valve	1	
1	4280611	• Relief Valve 250 bar	1	Torque 47 - 54 Nm
2	4280612	• Relief Valve 210 bar	1	Torque 47 - 54 Nm
3	4280631	• Directional Control Valve	1	Torque 5-7 Nm
4	4280631	• Directional Control Valve	1	Torque 5-7 Nm
5	4280631	• Directional Control Valve	1	Torque 5-7 Nm
6	4280632	• Check Valve	1	Torque 47 - 54 Nm
7	4280633	• 2.0 Dia Orifice Plug	1	Torque 2.0-2.5 Nm
8	4280632	• Check Valve	1	Torque 47 - 54 Nm
9	4280633	• 2.0 Dia Orifice Plug	1	Torque 2.0-2.5 Nm
10	4280632	• Check Valve	1	Torque 47 - 54 Nm
11	4280633	• 2.0 Dia Orifice Plug	1	Torque 2.0-2.5 Nm
14	4280612	• Relief Valve 210 bar	1	Torque 47 - 54 Nm

SPEED CONTROL VALVE (4209040)

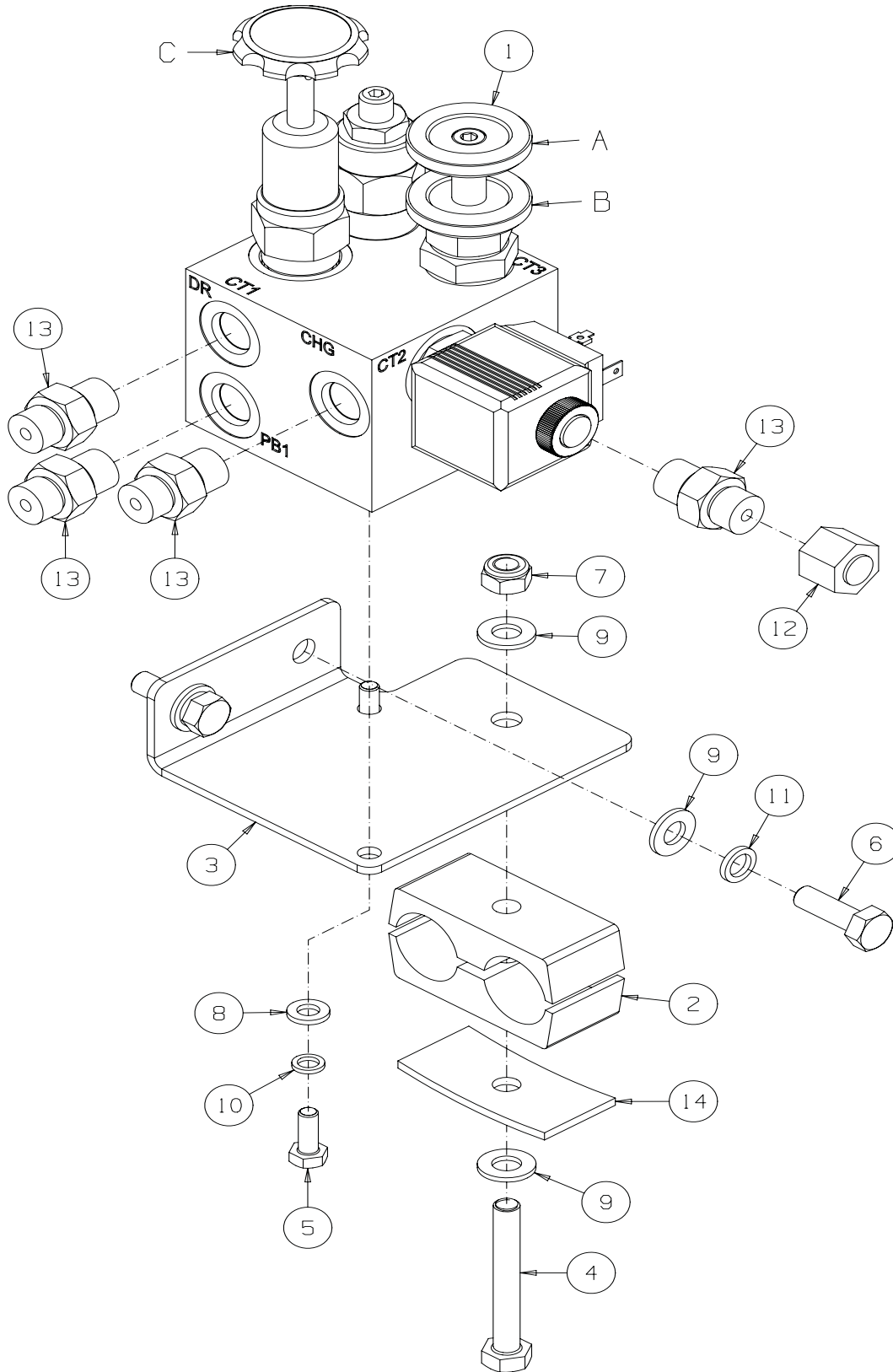


SPEED CONTROL VALVE (4209040)

ITEM	PART NO.	DESCRIPTION	QTY.	
1	4209041	Valve-speed Control	1	
2	4211740	WLDMT-Speed Ctrl Valve Bkt	1	
3	450019	Bolt-hex M8 x 55	2	
4	450191	Screw-HEX M8 x 20	2	
5	450390	Washer-M8 x 17 x 1.8	4	
6	450411	Washer-SLW M8	4	
7	002590210	90-M/M 13/16 ORS x 3/8 BSPP	2	
*	158061-02	• O Ring (For 13/16 UNF)	1	
*	002218031	• O Ring (For 3/8 UNF)	1	

BRAKE VALVE

Illustration Number: 4192998-2

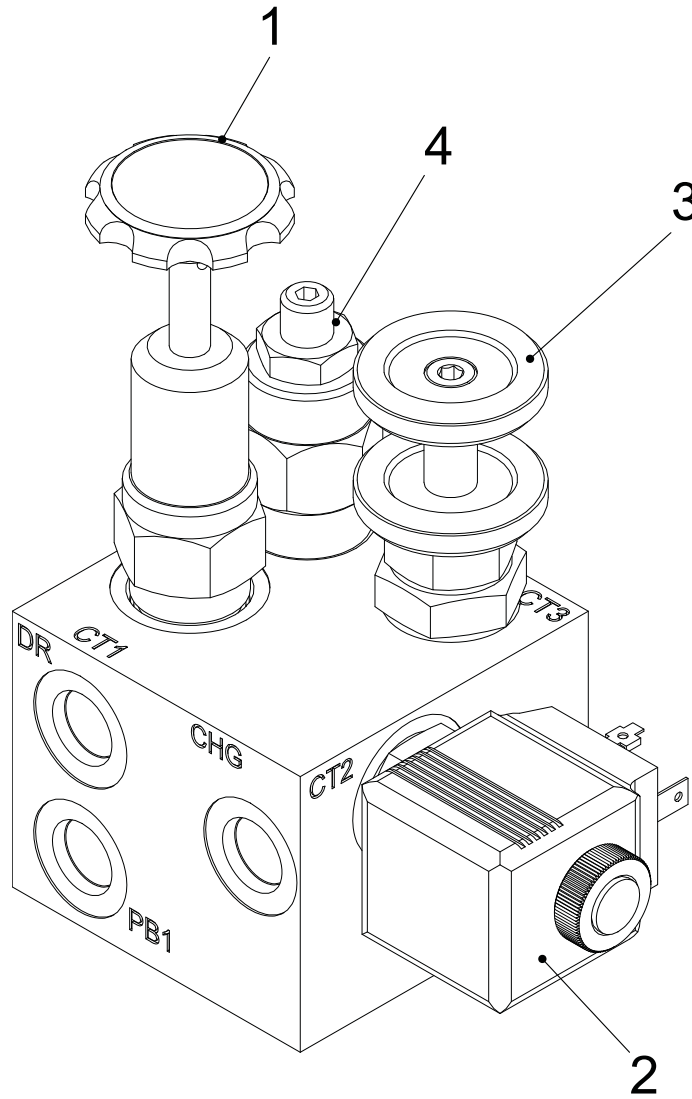


BRAKE VALVE

ITEM	PART NO.	DESCRIPTION	QTY.	
1	4201021	Brake Valve	1	
2	2208139	Clamp-Twin Tube, 1" Dia	1	
3	4208240	Bracket-Brake Valve	1	
4	450199	Screw-Hex M8 x 60	1	
5	450170	Screw-Hex M6 x 16	2	
6	450192	Screw-Hex M8 x 25	2	
7	450378	Nut-Hex M8 Nyloc	1	
8	450389	Washer-M6 x 12.5 x 1.8	2	
9	450390	Washer-M8 x 17 x 1.8	4	
10	450410	LockWasher-M6 x 9.6 x 1.6	2	
11	450411	LockWasher-M8 x 12.75 x 2.1	2	
12	002560010	Cap-9/16 ORFS	1	
13	158006-15	Ftg-M/M 9/16 ORFS x 9/16 SAE	4	
*	158061-18	• O Ring (For 9/16 UNF)	1	
*	002218065	• O Ring (For 9/16 UNF)	1	
14	009079310	Top Plate-Tube Clamp	1	

BRAKE VALVE (4201021)

Illustration Number: 4201021

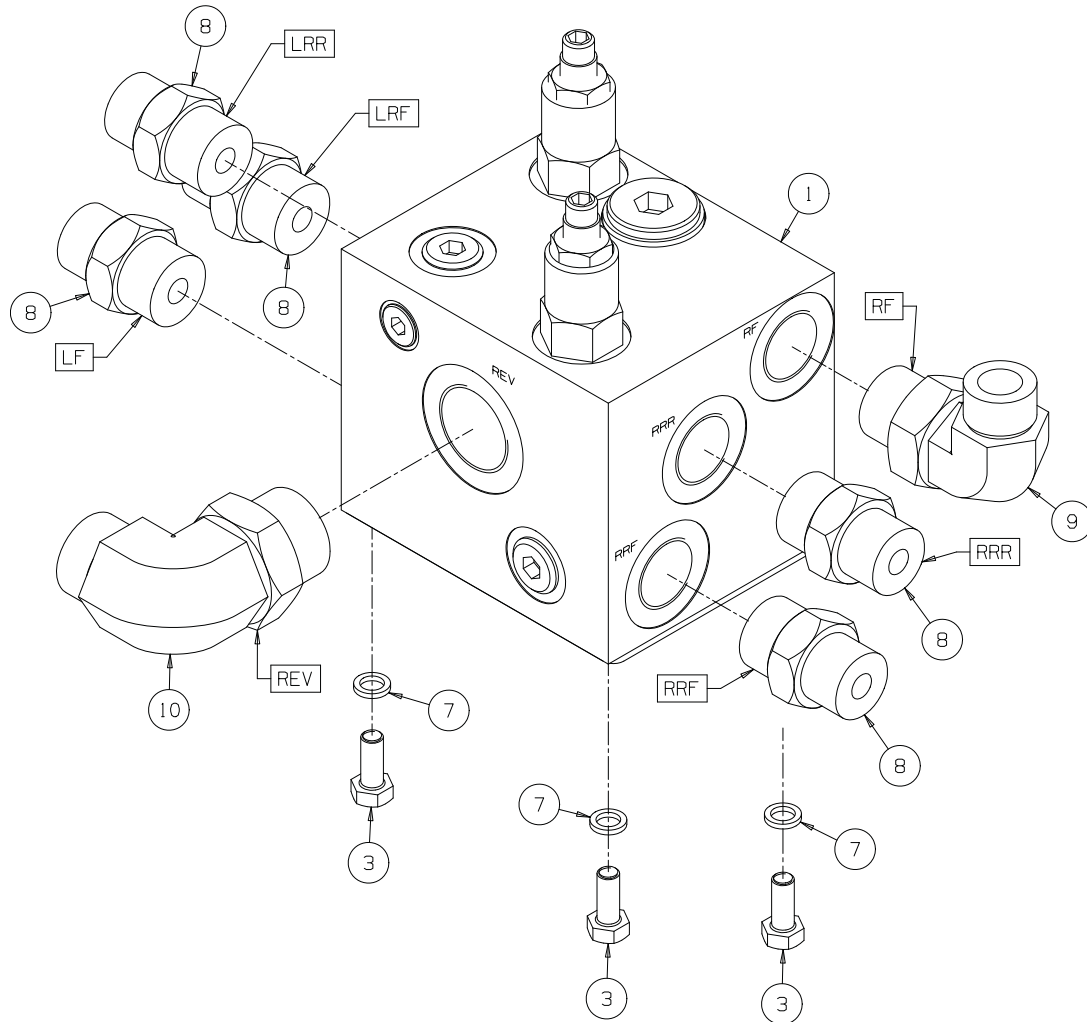


BRAKE VALVE (4201021)

ITEM	PART NO.	DESCRIPTION	QTY.	
	4201021	Brake Valve	1	
1	4259424	• Hand Pump	1	Torque 40 Nm
2	4280751	• Solenoid Valve	1	Torque 20 Nm
2	4282551	• Solenoid Coil	1	
3	4280752	• Needle Valve	1	Torque 30 Nm
4	4280753	• Relief Valve 70 Bar	1	Torque 45 Nm

4WD TRANSMISSION VALVE

Illustration Number: 4192995-2

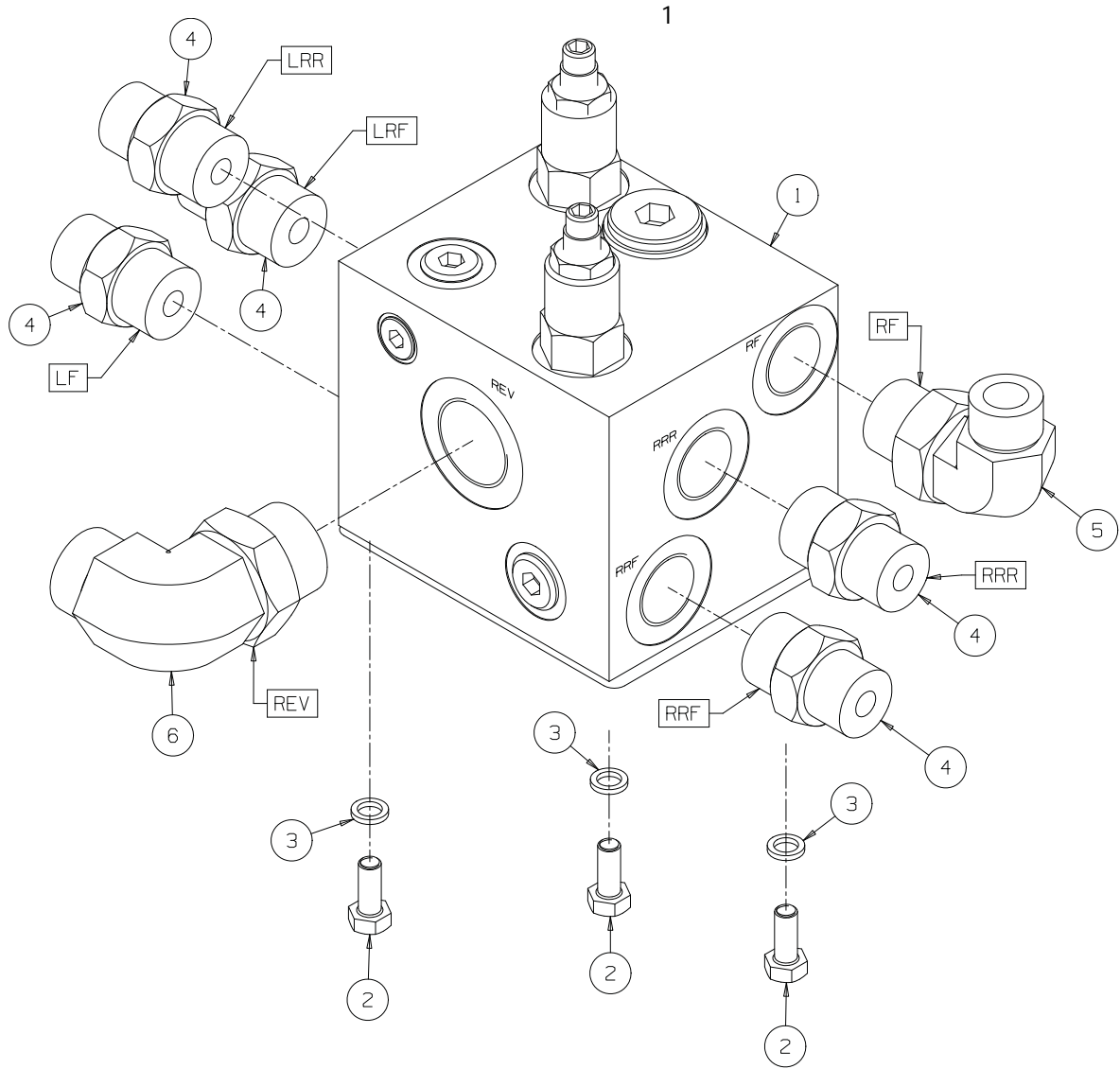


4WD TRANSMISSION VALVE

ITEM	PART NO.	DESCRIPTION	QTY.	
1	4207762	Transmission Valve	1	
*	4227560	• Cartridge / Actuator Assy - Complete	1	
*	4227561	•• Actuator + Lock Nut (no coil)	1	
*	4227564	•• Solenoid Coil	1	
3	450191	Screw-Hex M8 x 20	3	
7	450411	LockWasher-M8 x 12.75 x 2.1	3	
8	158006-11	Ftg-M/M 1 ORFS x 1.1/16 SAE	5	
*	158061-08	• O Ring (For 1 UNF)	1	
*	002218120	• O Ring (For 1.1/16 UNF)	1	
9	158007-06	90-M/M 1 ORFS x 1.1/16 SAE	1	
*	158061-08	• O Ring (For 1 UNF)	1	
*	002218120	• O Ring (For 1.1/16 UNF)	1	
10	158007-08	90-M/M 1.3/16 ORFS x 1.5/16 SAE	1	
*	158061-09	• O Ring (For 1.3/16 UNF)	1	
*	002218146	• O Ring (For 1.5/6 UNF)	1	

2WD TRANSMISSION VALVE

Illustration Number: 4193011-2



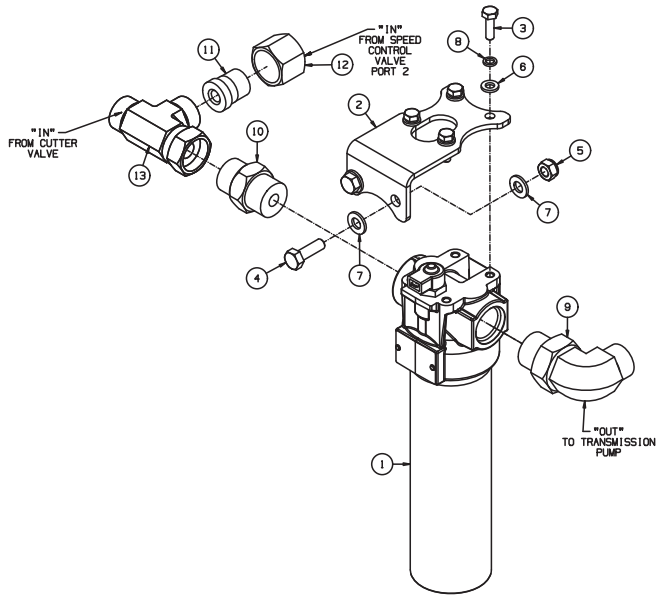
2WD TRANSMISSION VALVE

ITEM	PART NO.	DESCRIPTION	QTY.	
1	4220540	2WD Transmission Valve	1	
*	4227562	• Cartridge / Actuator Assy - Complete	1	
*	4227563	•• Actuator + Lock Nut (no coil)	1	
*	4227564	•• Solenoid Coil	1	
2	450191	Screw-Hex M8 x 20	3	
3	450411	LockWasher-M8 x 12.75 x 2.1	3	
4	158006-11	Ftg-M/M 1 ORFS x 1.1/16 SAE	5	
*	158061-08	• O Ring (For 1 UNF)	1	
*	002218120	• O Ring (For 1.1/16 UNF)	1	
5	158007-06	90-M/M 1 ORFS x 1.1/16 SAE	1	
*	158061-08	• O Ring (For 1 UNF)	1	
*	002218120	• O Ring (For 1.1/16 UNF)	1	
6	158007-08	90-M/M 1.3/16 ORFS x 1.5/16 SAE	1	
*	158061-09	• O Ring (For 1.3/16 UNF)	1	
*	002218146	• O Ring (For 1.5/16 UNF)	1	

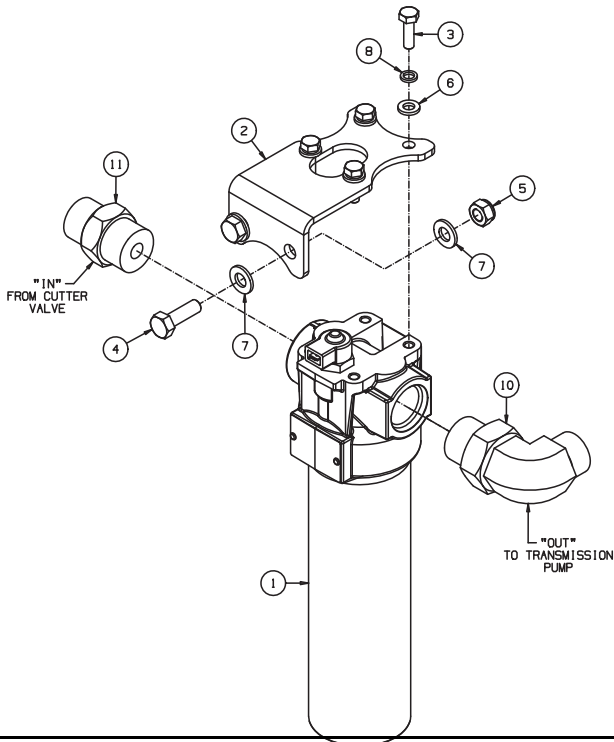
HYDRAULIC FILTER MOUNTING

HYDRAULIC FILTER LMAC483

Hose Routing From S/N GF000569 - GU000305



Hose Routing to S/N GF000568 - GU000304

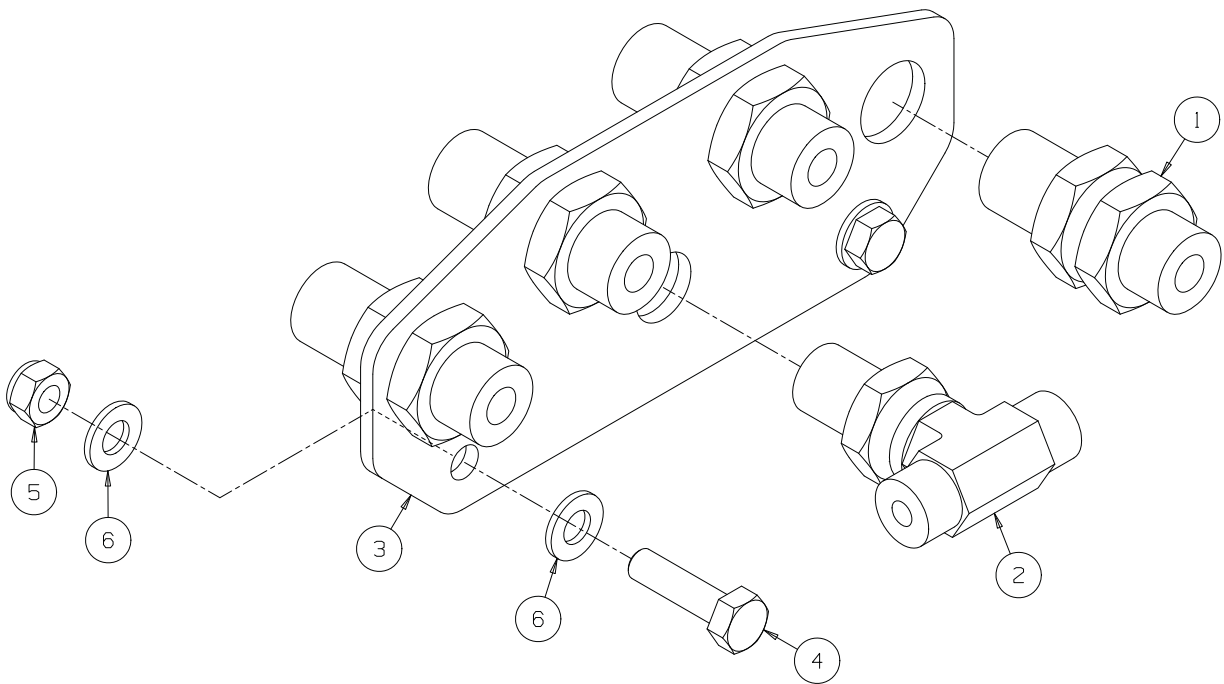


HYDRAULIC FILTER MOUNTING

ITEM	PART NO.	DESCRIPTION	QTY.
		Hose Routing From S/N GF000569 & GU000305	
1	4252570	Filter-Hydraulic, 7 Bar	1
*	4199061	• Filter Element, 10 Micron Absolute	1
2	4204821	Bracket-Filter Mounting	1
3	450171	Screw-Hex M6 x 20	4
4	450192	Screw-Hex M8 x 25	2
5	450378	Nut-Hex M8 Nyloc	2
6	450389	Washer-M6 x 12.5 x 1.8	4
7	450390	Washer-M8 x 17 x 1.8	4
8	450410	Lockwasher-M6 x 9.6 x 1.6	4
9	158007-06	90-M/M 1 ORFS x 1.1/16 SAE	1
*	158061-08	• O Ring (For 1 UNF)	1
*	002218120	• O Ring (For 1.1/16 UNF)	1
11	4133963	Fitting-M/M 1 ORFS x 1.1/16 SAE	1
*	158061-08	• O Ring (For 1 UNF)	1
*	002218120	• O Ring (For 1.1/16 UNF)	1
12	428039	Hose end - for illustration	
13	158010-02	Fitting ORS run-tee	
		Hose Routing to S/N GF000568 & GU000304	
1	4252570	Filter-Hydraulic, 7 Bar	1
*	4199061	• Filter Element, 10 Micron Absolute	1
2	4204821	Bracket-Filter Mtg	1
3	450171	Screw-Hex M6 x 20	4
4	450192	Screw-Hex M8 x 25	2
5	450378	Nut-Hex M8 Nyloc	2
6	450389	Washer-M6 x 12.5 x 1.8	4
7	450390	Washer-M8 x 17 x 1.8	4
8	450410	Lockwasher-M6 x 9.6 x 1.6	4
10	158007-06	90-M/M 1 ORFS x 1.1/16 SAE	1
*	158061-08	• O Ring (For 1 UNF)	1
*	002218120	• O Ring (For 1.1/16 UNF)	1
11	158006-11	Fitting-M/M 1 ORFS x 1.1/16 SAE	1
*	158061-08	• O Ring (For 1 UNF)	1
*	002218120	• O Ring (For 1.1/16 UNF)	1

FRONT HYDRAULIC BULKHEAD

Illustration Number: 4193004-2

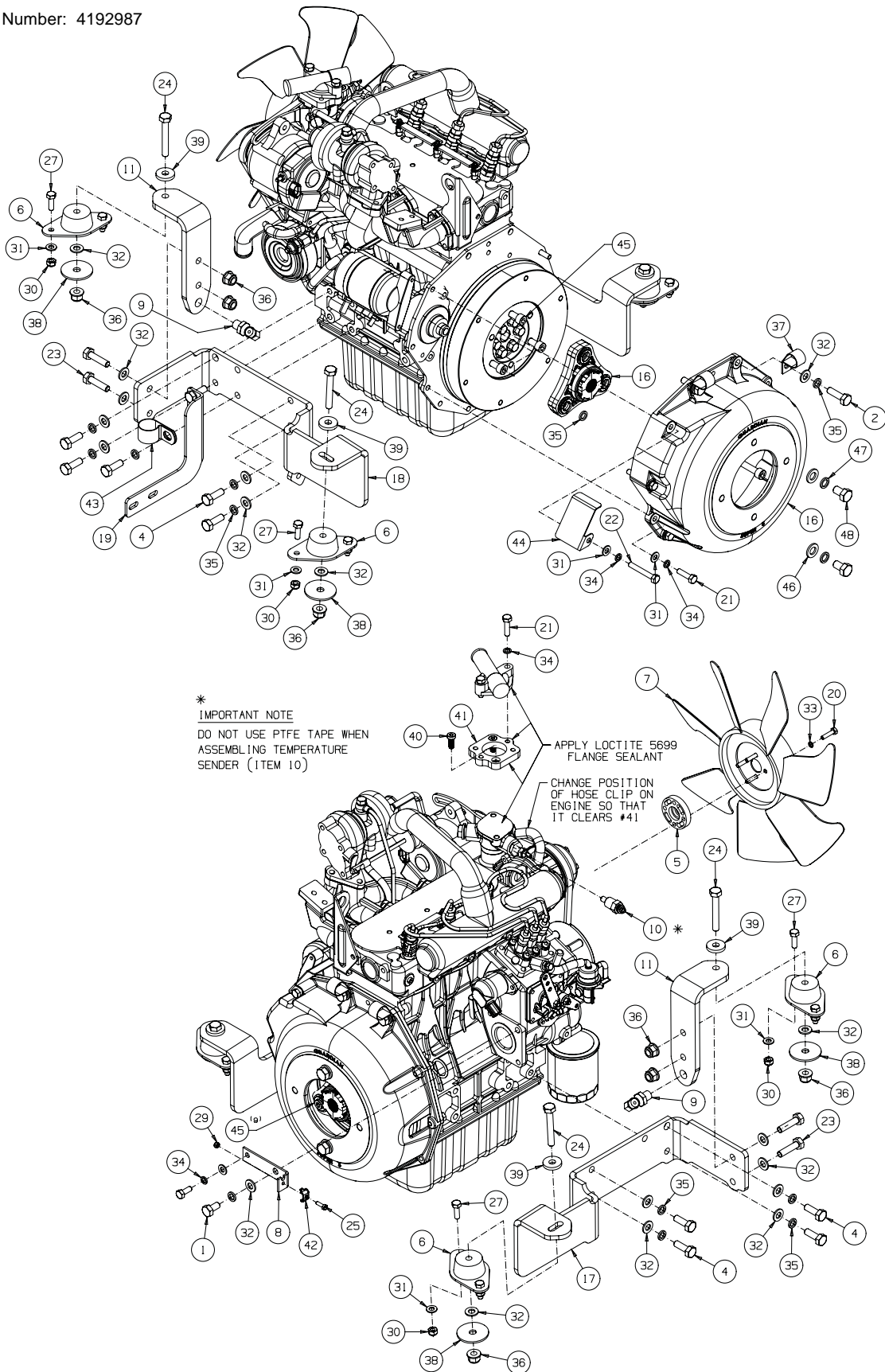


FRONT HYDRAULIC BULKHEAD

ITEM	PART NO.	DESCRIPTION	QTY.	
1	158067-04	Ftg-Blkhd M/M 13/16 ORFS	4	
*	158061-02	• O Ring (For 13/16 UNF)	2	
2	4136396	Tee-M/M/Bulkhead 11/16 ORFS	1	
*	158061-15	• O Ring (For 1.11/16 UNF)	3	
3	4198680	Bracket-Front Bulkhead	1	
4	450014	Bolt-Hex M8 x 30	2	
5	450378	Nut-Hex M8 Nyloc	2	
6	450390	Washer-M8 x 17 x 1.8	4	

ENGINE AND MOUNTING

Illustration Number: 4192987

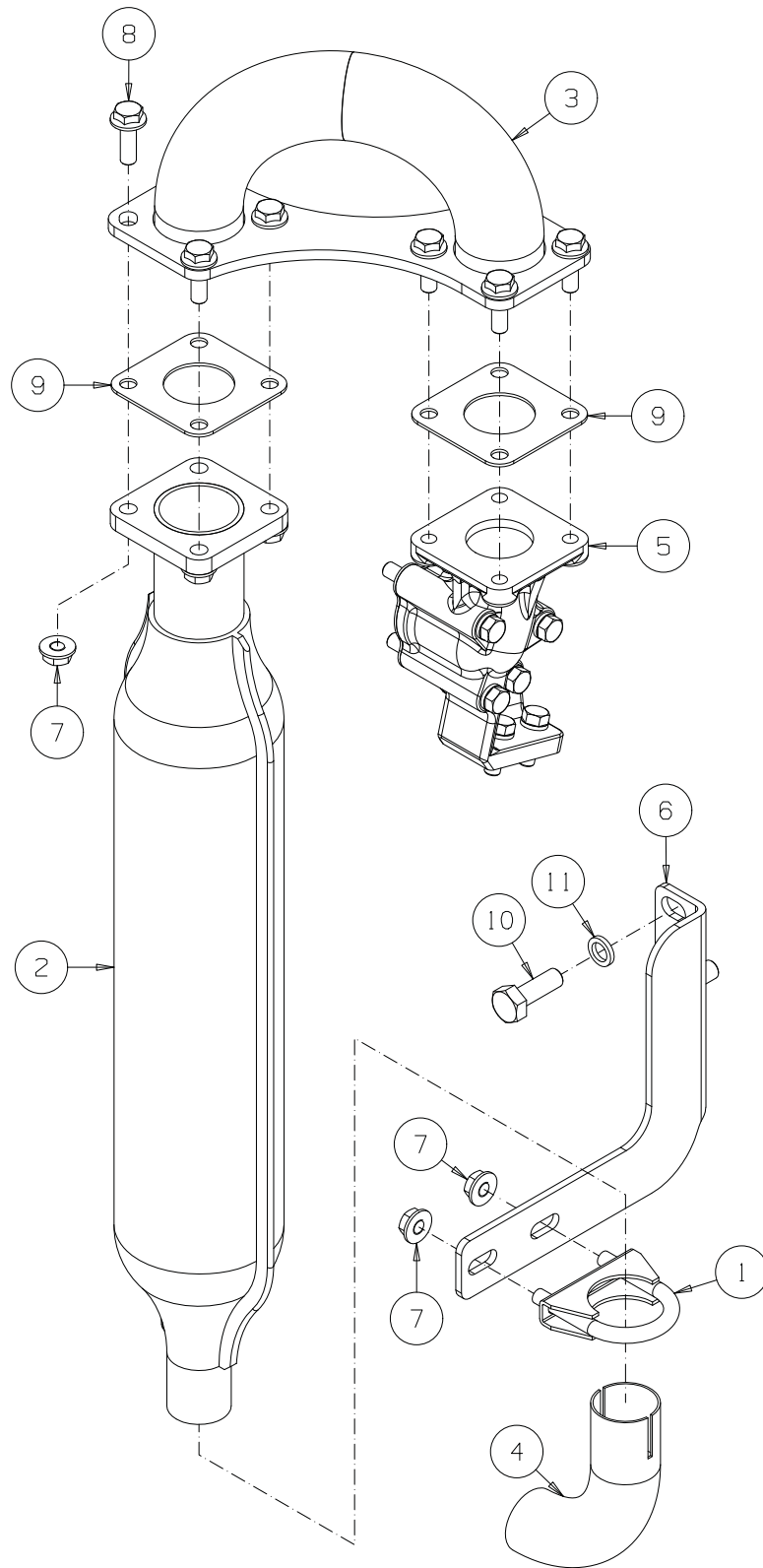


ENGINE AND MOUNTING

ITEM	PART NO.	DESCRIPTION	QTY.	
1	001190327	Screw-Hex M10-1.25 x 20	1	
2	001191520	Screw-Hex M10-1.25 x 35	2	
3	001290140	CapScrew-Sckt M10-1.25 x 30	3	
4	006820550	Screw-Hex M10-1.25 x 30	10	
5	006822150	Fan Spacer-10 mm	1	
6	2218010	Isolation Mount	4	
7	4130987	Fan-370 Dia, 7 Blade	1	
8	4137049	Throttle Bracket	1	To S/N GF000580 & GU000304
8	MBG2027A	Throttle Bracket	1	From S/N GF000581 & GU000305
9	4140337	90 Blkhd-9/16 ORFS	2	
*	158061-18	• O Ring (For 9/16 UNF)	3	
10	4143246	Temperature Sender	1	
11	4150877	Mount-Engine, Rear	2	
15	4174101	Engine-Kubota D1105T	1	
16	4196201	Kit-Bell Housing and Coupling	1	
*	4196203	Coupling	1	
17	4198720	Bracket-Engine Mount LH	1	
18	4198780	Bracket-Engine Mount RH	1	
19*	4204661	Bracket-Exhaust	1	To S/N GF000548 & GU000300
19	4252553	Bracket-Exhaust Mtg	1	From S/N GF000549 & GU000301
20	450000	Bolt-Hex M6 x 25	4	
21	450014	Bolt-Hex M8 x 30	7	
22	450019	Bolt-Hex M8 x 55	2	
23	450030	Bolt-Hex M10 x 40	4	
24	450036	Bolt-Hex M10 x 70	4	
25	450151	Screw-Hex M5 x 16	1	
26	450191	Screw-Hex M8 x 20	1	
27	450192	Screw-Hex M8 x 25	9	
28	450193	Screw-Hex M8 x 30	2	To S/N GF000548 & GU000300
29	450376	Nut-Hex M5 Nyloc	1	
30	450378	Nut-Hex M8 Nyloc	8	
31	450390	Washer-M8 x 17 x 1.8	17	
32	450391	Whsr-M10 x 21 x 2.2	19	
33	450410	LockWasher-M6 x 9.6 x 1.6	4	
34	450411	LockWasher-M8 x 12.75 x 2.1	11	
35	450412	LockWasher-M10 x 15.9 x 2.65	16	
36	452437	Nut-Hex M10 Flng Nyloc	8	
37	469016509	P-clip	2	
38	64163-27	Washer-.453 x 2 x 11GA	4	
39	MBE4682	Washer-11 x 30 x 5	4	
40	MBG4067	Screw-Thermo Hsg	2	To S/N GF000584 & GU000304
40	4285631	CapScrew-Hex Sckt M8-1.25 x 20	2	From S/N GF000585 & GU000305
41	LMSE210	Kit-Thermo Hsg Spacer & Screws	1	
42	W022372	Throttle Clamp	1	
43	48228-06	P-clip, 1.23" dia	1	
44	4236833	Cable Heat Shield	1	From S/N GF000549 & GU000301
45	4177860	CapScrew-Hex Sckt M10-1.25 x 40	3	From S/N GF000549 & GU000301
46	450392	Washer-M12 x 24 x 2.7	2	From S/N GF000549 & GU000301
47	450413	LockWasher-M12 x 17.9 x 2.5	2	From S/N GF000549 & GU000301
48	450239	Screw-Hex M12-1.75 x 20, Gr 8.8	2	From S/N GF000549 & GU000301

TURBO ENGINE EXHAUST

Illustration Number: 4230442-2



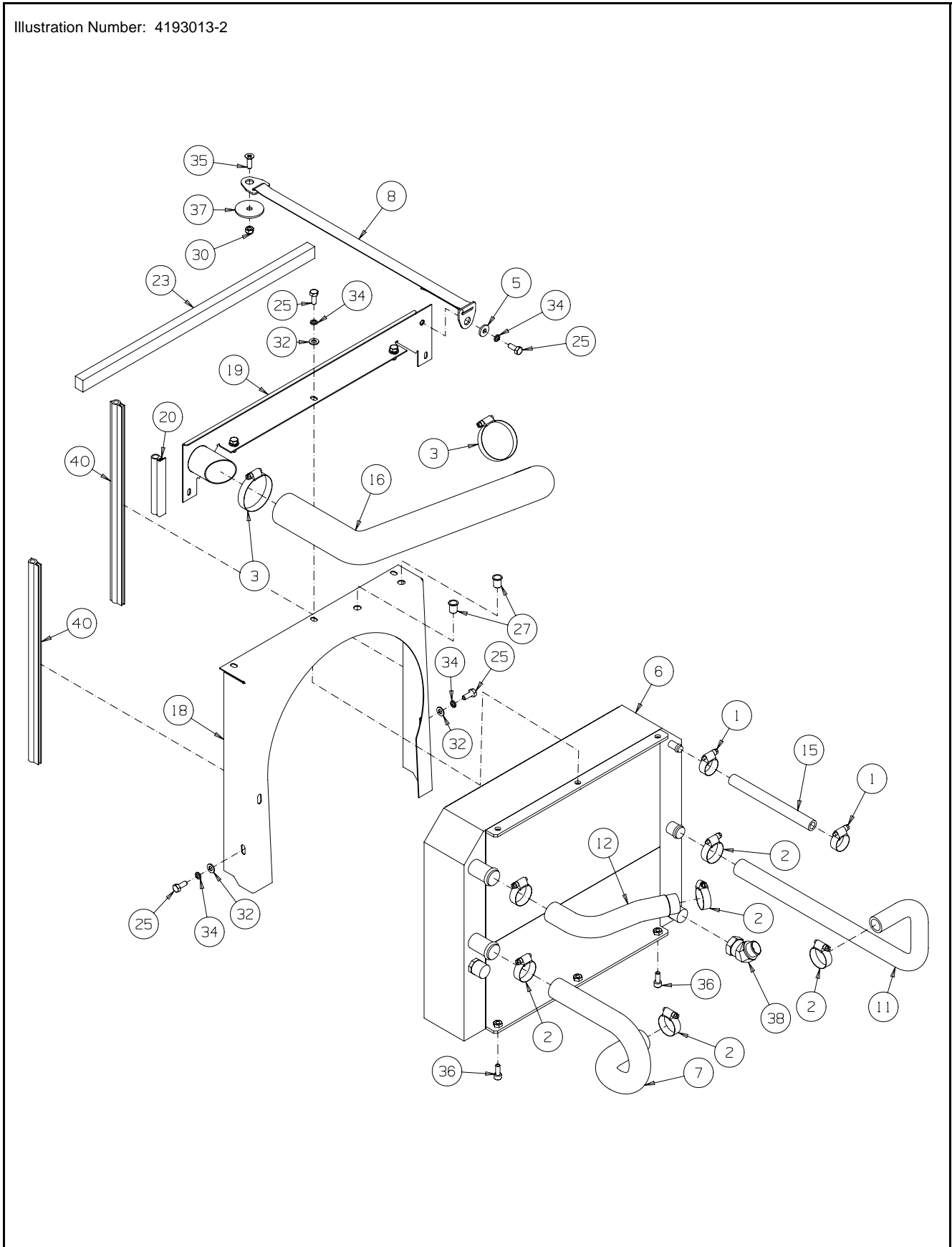
TURBO ENGINE EXHAUST

ITEM	PART NO.	DESCRIPTION	QTY.	
1	001990072	U-clamp, 1.1/2"	1	
2	16286-12111	Muffler	1	ex-Kubota
3*	4202882	Wldmt-Exhaust Pipe, Turbo	1	To S/N GF000548 and GU000300
3	4252540	Wldmt-Turbo Exhaust Mtg	1	From S/N GF000549 and GU000301
4	4208280	Tailpipe	1	
5	4150357	Kit-Exhaust Flange	1	
6*	4204661	Bracket-Exhaust	1	To S/N GF000548 and GU000300
6	4252553	Bracket-Exhaust Mtg	1	From S/N GF000549 and GU000301
7	450453	Nut-Hex M8 Verbus Ripp	6	
8	450472	Screw-Hex M8 x 25 Verbus Ripp	8	
9	553020	Gasket, Muffler	2	
10	006820550	Screw-Hex M10-1.25 x 30, Gr 8.8	2	
11	450412	LockWasher-M10 x 15.9 x 2.5	2	

* Not illustrated

RADIATOR

Illustration Number: 4193013-2



RADIATOR

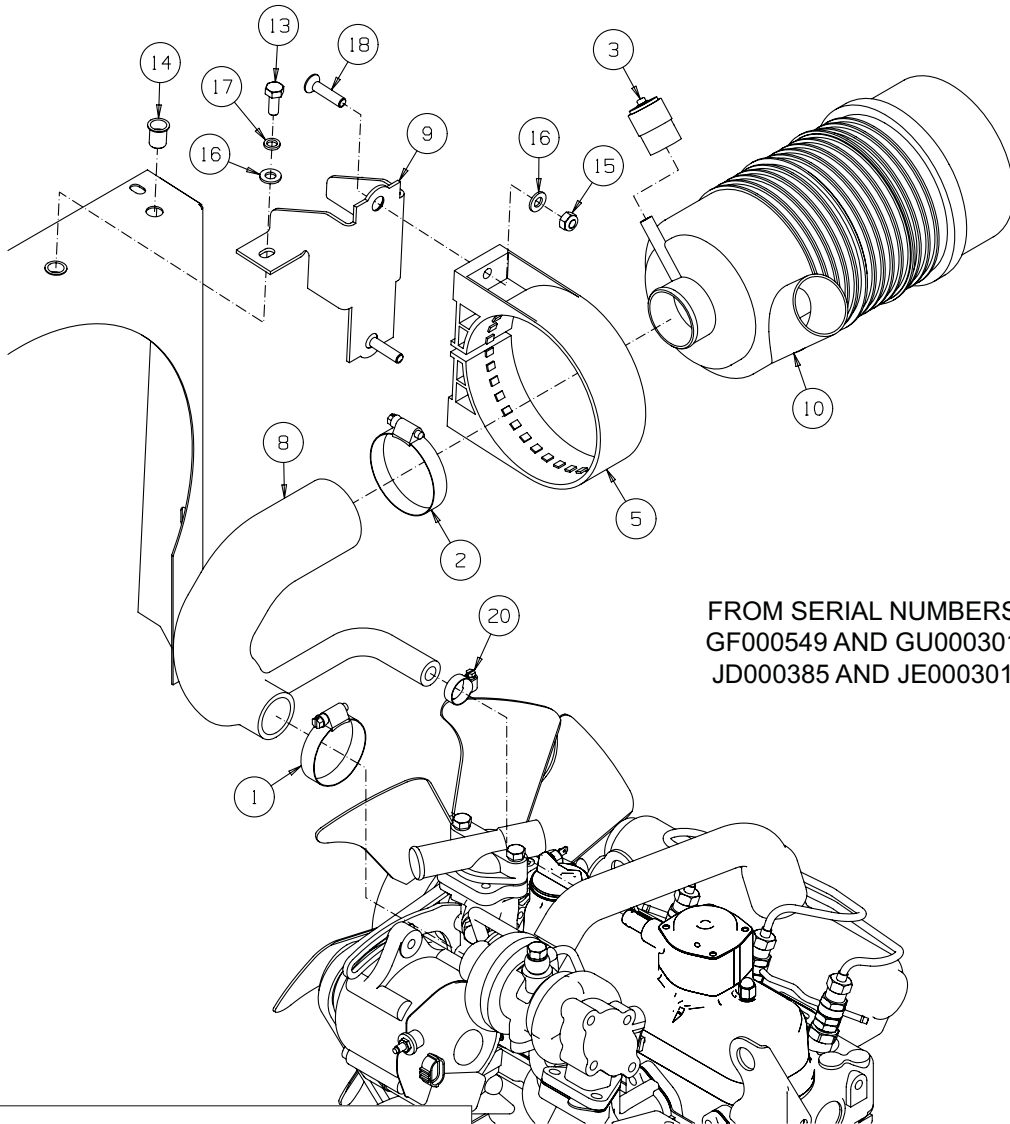
ITEM	PART NO.	DESCRIPTION	QTY.	
1	001925320	Hose Clamp, 13-32	2	
2	001925400	Hose Clamp, 19-40	6	
3	001925700	Hose Clamp, 23-70	2	
4	009001800	Bugscreen	1	
5	009072070	Washer-M8 x 22 x 3	1	
6	4130963	Asm-Radiator/Cooler	1	
7	4268191	Hose-Lower Radiator	1	
8	4139965	Lanyard	1	
9	4153537	Wldmt-Radiator Frame LH	1	
10	4153538	Wldmt-Radiator Frame RH	1	
11	4157740	Hose-Expansion Tank	1	
12	4225960	Hose-Upper Radiator	1	
13	4161441	Radiator Surround Seal	2	
14	4162760	Radiator Chassis Seal	2	
15	4163951	Hose-1/2" bore x 0.7 m	1	
16	4169140	Hose-Air Intake	1	
17	4223380	Wldmt-Radiator Support	1	
18	4223382	Shroud-Radiator	1	
19	4224521	Wldmt-Radiator Top Surround	1	
20	4225420	Seal-Edge, 120 mm long	1	
21	4225421	Seal-Foam, 180 mm long	1	
22	4225422	Seal-Foam, 300 mm long	1	
23	4225423	Seal-Foam, 580 mm long	1	
24	450170	Screw-Hex M6 x 16	8	From S/N GF000373 & GU000302
25	450191	Screw-Hex M8 x 20	9	From S/N GF000373 & GU000302
26	450192	Screw-Hex M8 x 25	4	
27	450369	M8 Nutsert	5	From S/N GF000373 & GU000302
28	450370	M8 Nutsert	2	
29	450377	Nut-Hex M6 Nyloc	2	
30	450378	Nut-Hex M8 Nyloc	1	
31	450389	Washer-M6 x 12.5 x 1.8	10	From S/N GF000373 & GU000302
32	450390	Washer-M8 x 17 x 1.8	12	From S/N GF000373 & GU000302
33	450410	LockWasher-M6 x 9.6 x 1.5	6	
34	450411	LockWasher-M8 x 12.75 x 2	13	From S/N GF000373 & GU000302
35	450634	Screw-Csk M8 x 25	1	
36	450723	CapScrew-Sckt M8 x 20	2	
37	64163-17	Washer-25/64 x 2 x 11g	1	
38	4167623	Ftg-3/4" BSP M x Swivel F 45 Deg	1	
39	031955320	Black Silicon Sealant	A/R	Not Illustrated
40	4227620	Seal-Edge, 430mm long	2	From S/N GF000373 & GU000302
41	4230760	Edge Seal 144mm long	2	From S/N GF000373 & GU000302

RADIATOR

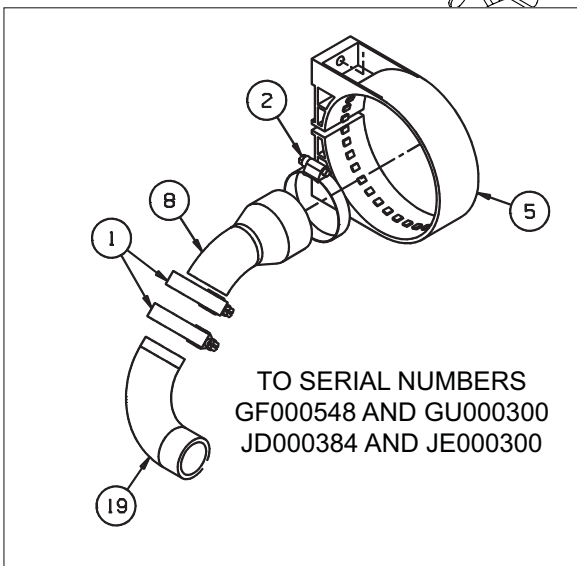
ITEM	PART NO.	DESCRIPTION	QTY.	
1 1	001925400	Hose Clamp, 19-40	6	
2	001925700	Hose Clamp, 23-70	2	
3	009001800	Bugscreen	1	
4	009072070	Washer-M8 x 22 x 3	1	
6	4139965	Lanyard	1	
7	4130963	Asm-Radiator/Cooler	1	
8	4132119	Hose-Lower Radiator	1	
10	4150460	Wldmt-Rear Frame	1	
11	4151977	Wldmt-Frame Rail LH	1	
12	4151978	Wldmt-Frame Rail RH	1	
13	4153537	Wldmt-Radiator Frame LH	1	
14	4153538	Wldmt-Radiator Frame RH	1	
15	4153541	Wldmt-Radiator Support	1	
16	4153617	Shroud-Radiator	1	
17	4160362	Hose-Upper Radiator	1	
18	4161441	Radiator Surround Seal	2	
19	4162760	Radiator Chassis Seal	2	
20	4165320	Wldmt-Radiator Top Surround	1	
21	450170	Screw-Hex M6 x 16	8	From S/N GF000373 & GU000302
22	450191	Screw-Hex M8 x 20	9	From S/N GF000373 & GU000302
23	450192	Screw-Hex M8 x 25	4	
24	450369	M8 Nutsert	5	From S/N GF000373 & GU000302
25	450370	M8 Nutsert	2	
26	450377	Nut-Hex M6 Nyloc	2	
27	450378	Nut-Hex M8 Nyloc	1	
28	450389	Washer-M6 x 12.5 x 1.8	10	From S/N GF000373 & GU000302
29	450390	Washer-M8 x 17 x 1.8	12	From S/N GF000373 & GU000302
30	450410	LockWasher-M6 x 9.6 x 1.5	6	
31	450411	LockWasher-M8 x 12.75 x 2	13	From S/N GF000373 & GU000302
32	64163-17	Washer-25/64 x 2 x 11g	1	
33	001925320	Hose Clamp, 13-32	2	
34	4157740	Hose-Expansion Tank	1	
35	4163597	Hose Assembly	1	
36	4163598	Hose Assembly	1	
37	4163951	Hose-1/2" bore x 0.7 m	1	
38	4167923	Ftg-3/4" BSP M x Swivel F 45 Deg	1	
39	450634	Screw-Csk M8 x 25	1	
40	4169140	Hose-Air Intake	1	
41	450723	CapScrew-Sckt M8 x 20	3	
42	4230760	Edge Seal-144mm Lg	2	From S/N GF000373 & GU000302

AIR CLEANER MOUNTING

Illustration Number: 4230453-2



FROM SERIAL NUMBERS
GF000549 AND GU000301
JD000385 AND JE000301



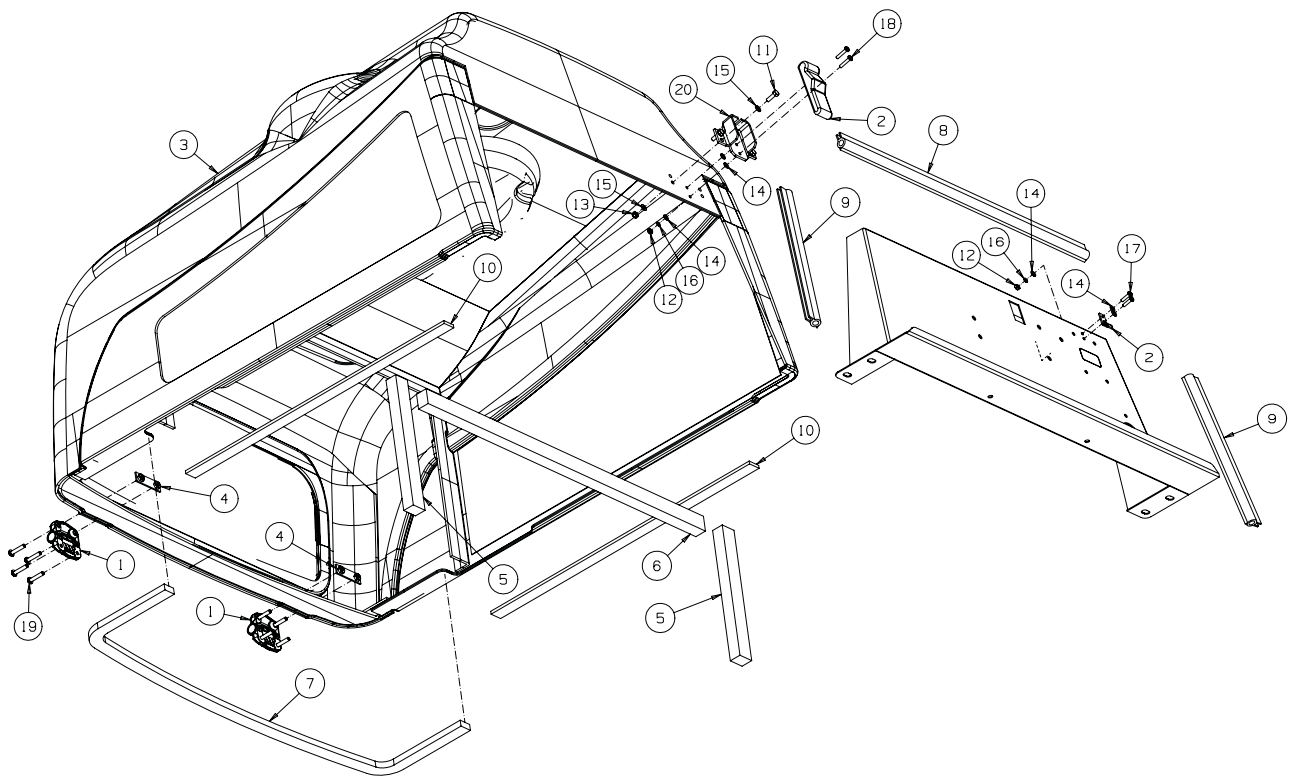
TO SERIAL NUMBERS
GF000548 AND GU000300
JD000384 AND JE000300

AIR CLEANER MOUNTING

ITEM	PART NO.	DESCRIPTION	QTY.	
1	001925570	Hose Clamp, 34-57	1	
2	001925700	Hose Clamp, 23-70	1	
3	008109680	Restriction Indicator	1	
5	4133245	Mounting Band 5" Plastic	1	
7				
8	4181280	Hose-Engine Air Intake-Upper	1	To S/N GF000548 and GU000300
8	4251385	Hose-Engine Air Intake	1	From S/N GF000549 and GU000301
9	4154280	Bracket-Air Cleaner	1	
10	4155780	Air Cleaner (Straight Outlet)	1	
*	2198147-02	• Valve-Dust Unloader	1	
*	2198147-03	• Cover	1	
*	2198147-04	• Cover Clip	2	
*	4155781	• Element	1	
13	450191	Screw-Hex M8-1.25 x 20, Gr 8.8	2	
14	450369	M8-1.25 (A-L) Nutsert (0.7-3.8 G/L)	2	
15	450378	Nut-Hex M8-1.25, Gr 8, Nyloc	2	
16	450390	Washer-M8 x 17 x 1.8	4	
17	450411	LockWasher-M8 x 12.75 x 2	2	
18	450868	Screw-Csk Hex Sckt M8-1.25 x 35	2	
19	4181281	Hose-Engine Air Intake-Lower	1	To S/N GF000548 and GU000300
20	001925220	Hose Clamp, 8-22	1	From S/N GF000549 and GU000301

ENGINE HOOD MOUNTING

Illustration Number: 4193014-2

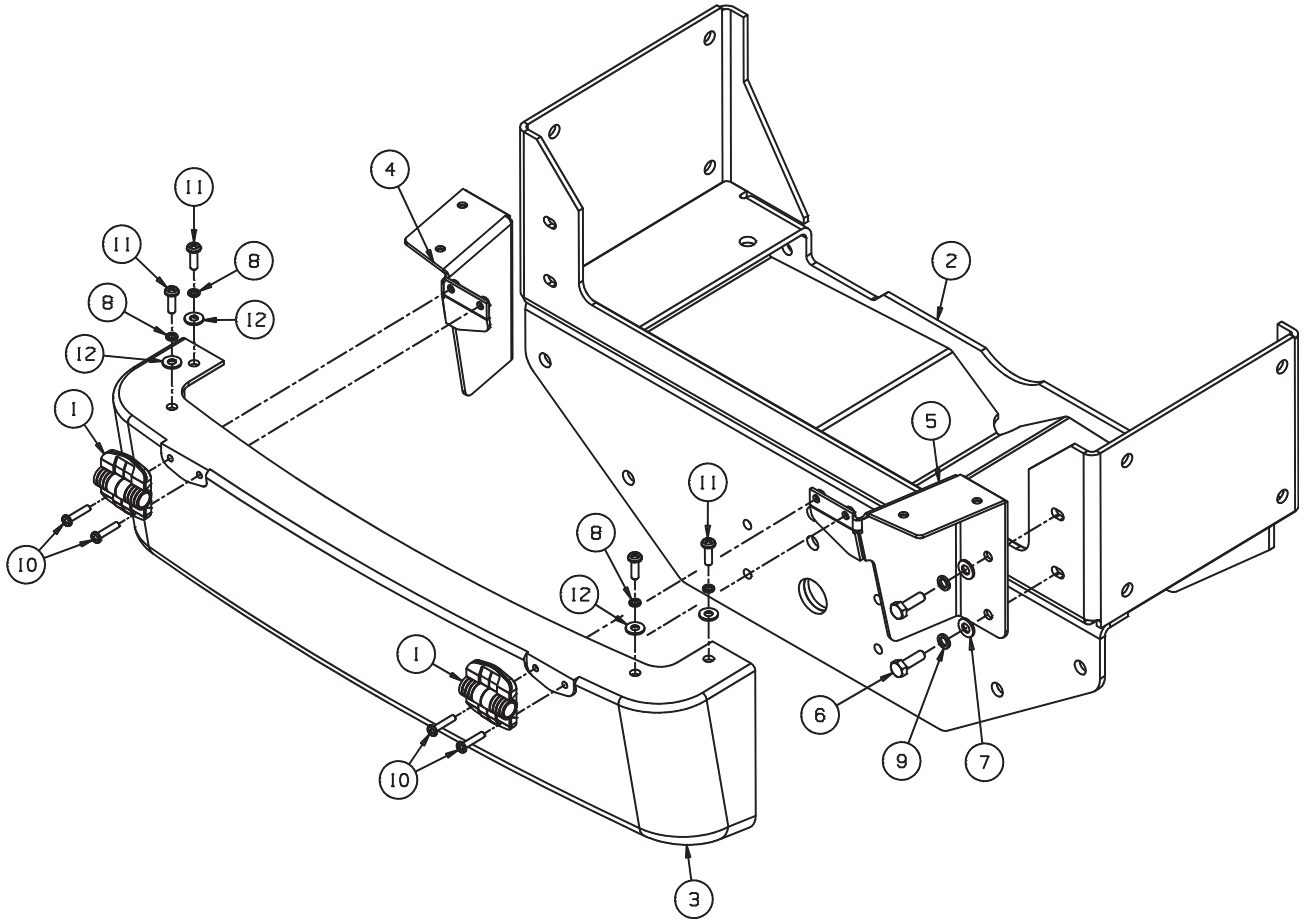


ENGINE HOOD MOUNTING

ITEM	PART NO.	DESCRIPTION	QTY.	
1	002991040	Hinge	2	
2	2198112	Latch	1	
3	4135098	Asm-Engine Hood (Green)	1	
4	4164402	Wldmt-Brace Bonnet Fastening	2	
5	4225424	Seal-Foam, 220 mm Long	2	
6	4225425	Seal-Foam, 590 mm Long	1	
7	4283671	Seal-Foam, 1050 mm Long	1	
8	4225680	Seal-Edge, 520 mm Long	1	
9	4225681	Seal-Edge, 265 mm Long	2	
10	4225740	Seal-Foam, 510 mm Long	2	
11	450151	Screw-Hex M5 x 16	4	
12	450321	Nut-Hex M4	4	
13	450376	Nut-Hex M5 Nyloc	4	
14	450387	Washer-M4 x 9 x 0.9	8	
15	450388	Washer-M5 x 10 x 1.1	8	
16	450408	Washer-SLW M4	4	
17	450519	Screw-Pan Hd M4 x 16	2	
18	450520	Screw-Pan Hd M4 x 20	2	
19	450530	Screw-Pan Hd M5 x 25	8	
20	MBG6720	Brkt, Hood Latch	1	

LOWER COVER

Illustration Number: 4156283-2

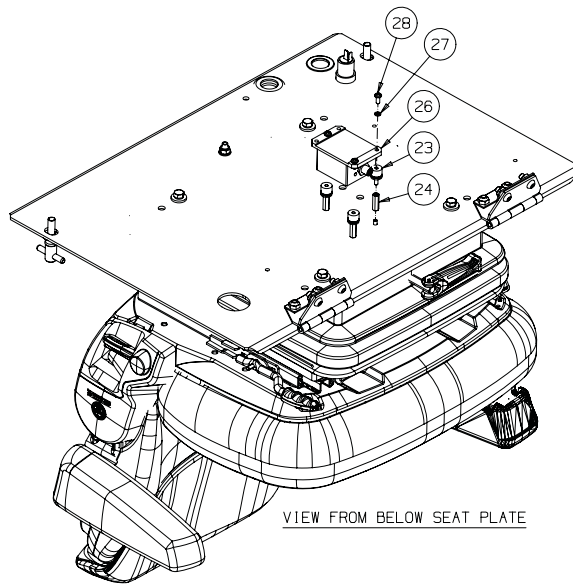
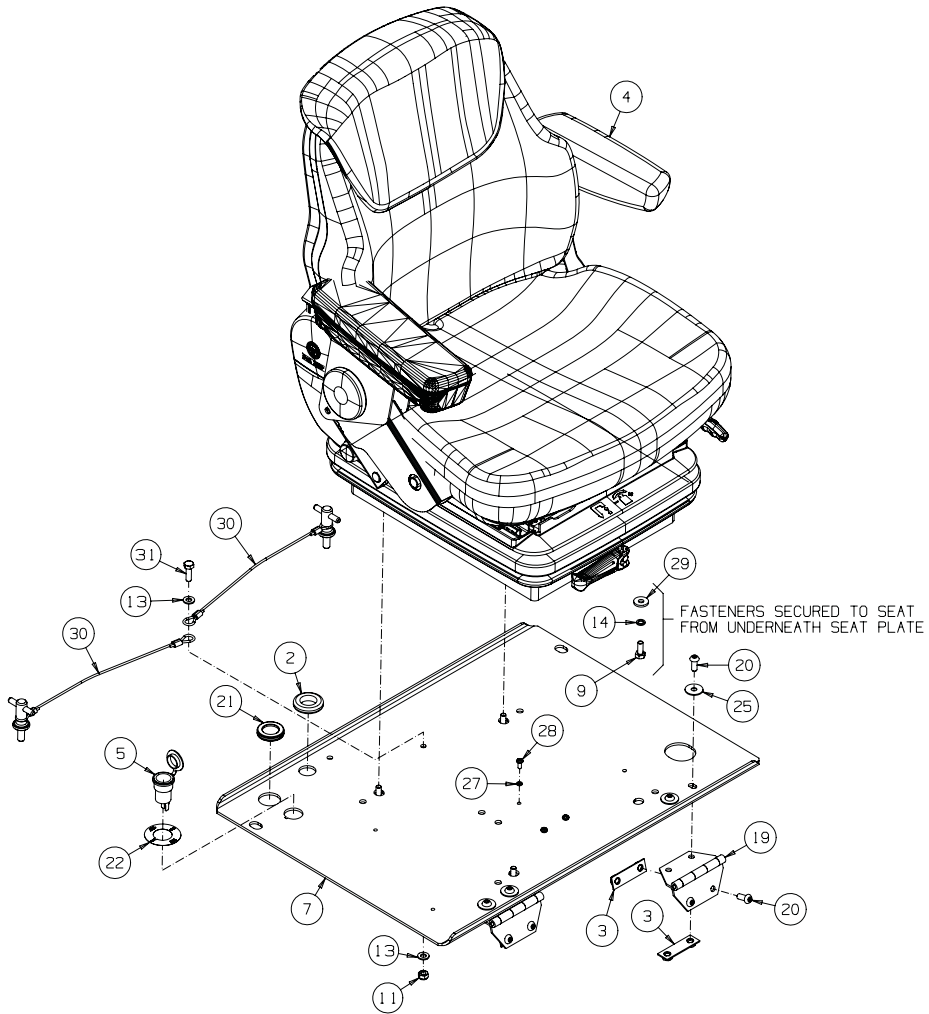


LOWER COVER

ITEM	PART NO.	DESCRIPTION	QTY.	
1	002991040	Hinge	2	
2	4150460	Wldmt-Rear Frame	1	
3	4155886	Cover-Lower	1	
4	4156100	Wldmt-Hinge Bracket LH	1	
5	4156101	Wldmt-Hinge Bracket RH	1	
6	450192	Screw-Hex M8 x 25	4	
7	450390	Washer-M8 x 17 x 1.8	4	
8	450410	Washer-SLW M6	4	
9	450411	Washer-Slw M8	4	
10	450530	Screw-Pan Hd M5 x 25	4	
11	450542	Screw-Pan Hd M6 x 20	4	
12	452100019	Washer-1/4 x 5/8 x .064	4	

SEAT AND MOUNTING

Illustration Number: 4192992-2

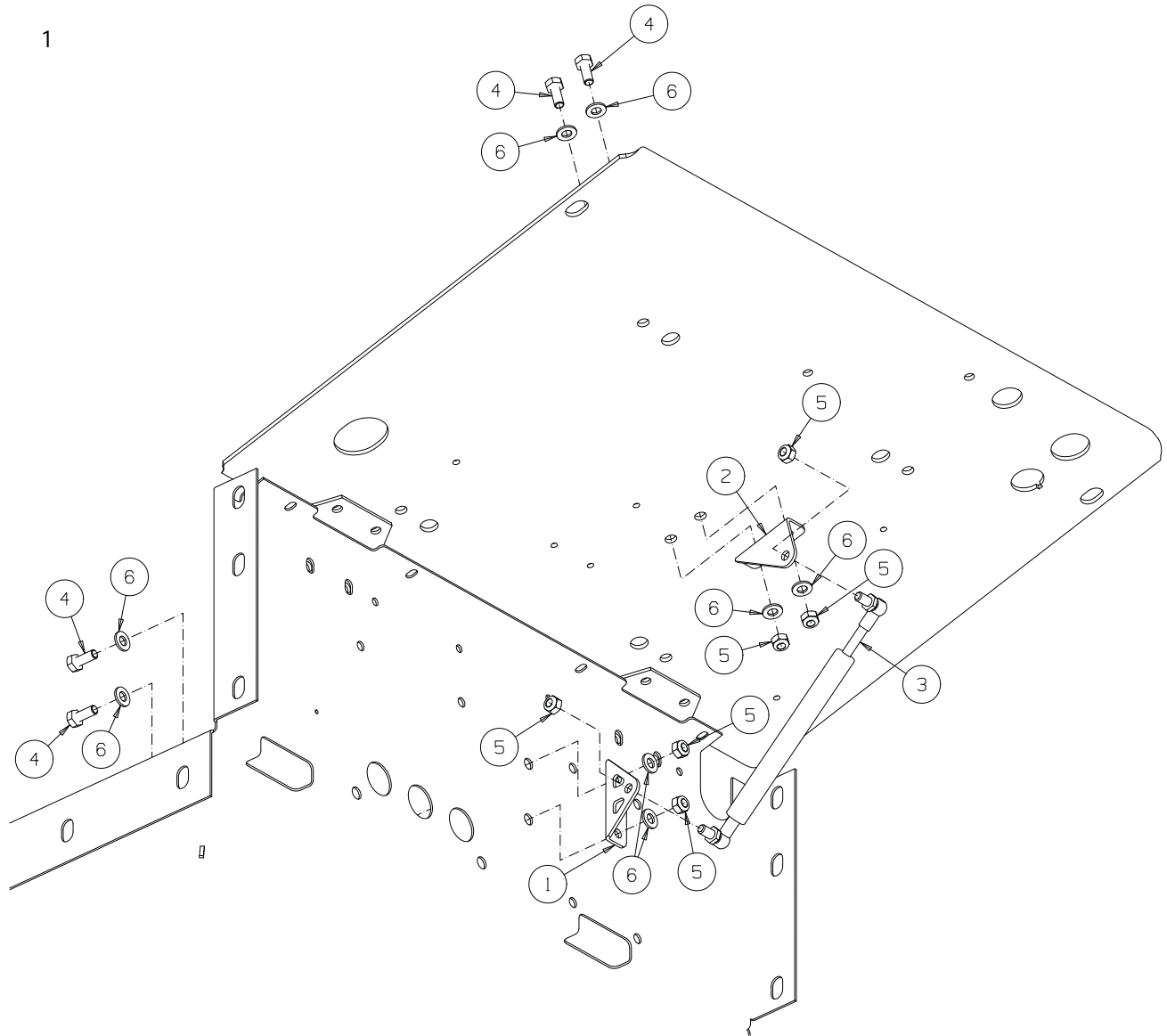


SEAT AND MOUNTING

ITEM	PART NO.	DESCRIPTION	QTY.	
2	002953420	Grommet-25.4 x 44.5 x 9.9	1	
3	4118558	Wldmt-Keep Plate	4	
4	4140320	Seat-Grammer MSG85	1	
5	4138885	Accessory Socket-Large	1	
7	4210204	Seat Plate	1	
8	450149	Screw-Hex M5 x 12	1	
9	450191	Screw-Hex M8 x 20	5	
11	450378	Nut-Hex M8 Nyloc	2	
13	450390	Washer-M8 x 17 x 1.8	4	
14	450411	LockWasher-M8 x 12.75 x 2.1	4	
19	MBG2013.07	Hinge-Seat Plate	2	
20	4142288	Screw-Pan Hd M8 x 20 Torx	8	
21	002953320	Grommet	1	
22	4164660	Decal-Auxiliary Power Socket 12V	1	
24	4205842	Spacer-Hex M5 x 25	3	
25	MBC9297	Washer-8.5 x 26.5 x 1.6	4	
27	450409	LockWasher-M5 x 8.55 x 1.6	3	
28	450526	Screw-Pan Hd M5 x 12	3	
29	009072070	Washer-M8 x 22 x 3	4	
30	4218740	Asm-M10 Bolt with Lanyard	2	
31	450192	Screw-Hex M8 x 25	1	
	LMAC401	Kit-TST (Tilt Sensor Technology)		
23	4205840	Anti-Vibration Mount	3	
26	4198284	Inclinometer	1	
27	450409	LockWasher-M5 x 8.55 x 1.6	3	
28	450526	Screw-Pan Hd M5 x 12	3	

SEAT PLATE GAS STRUT

Illustration Number: 4193015

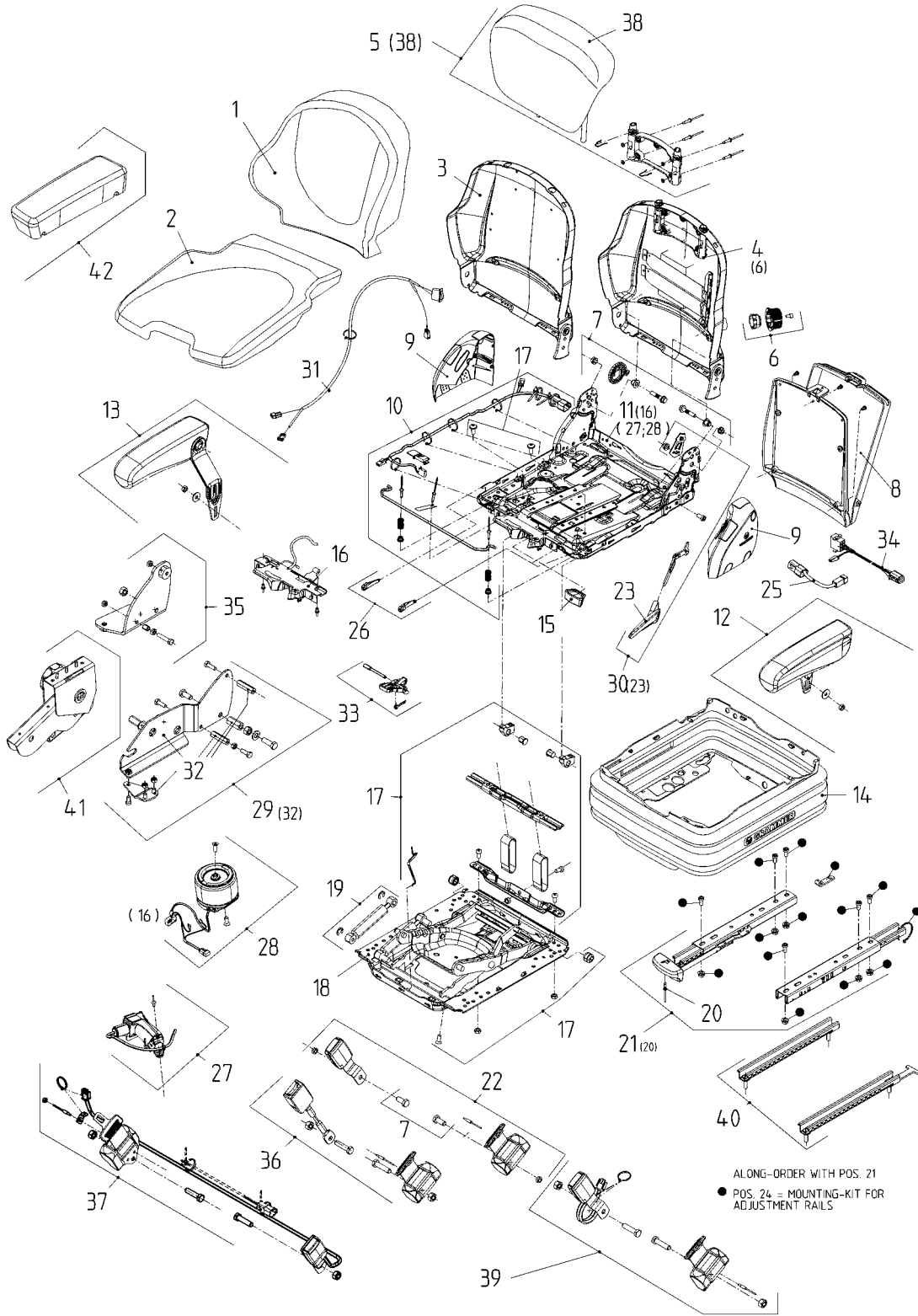


SEAT PLATE GAS STRUT

ITEM	PART NO.	DESCRIPTION	QTY.	
1	4218600	Front Gas Strut Mount	1	
2	4218601	Seat Plate Gas Strut Mount	1	
3	4225281	Gas Strut	1	
4	450191	Screw-Hex M8 x 20	4	
5	450378	Nut-Hex M8 Nyloc	6	
6	450390	Washer-M8 x 17 x 1.8	8	

SEAT, GRAMMER MSG 75 (4164150)

Illustration Number: 1123951 Air Sus Seat drawings

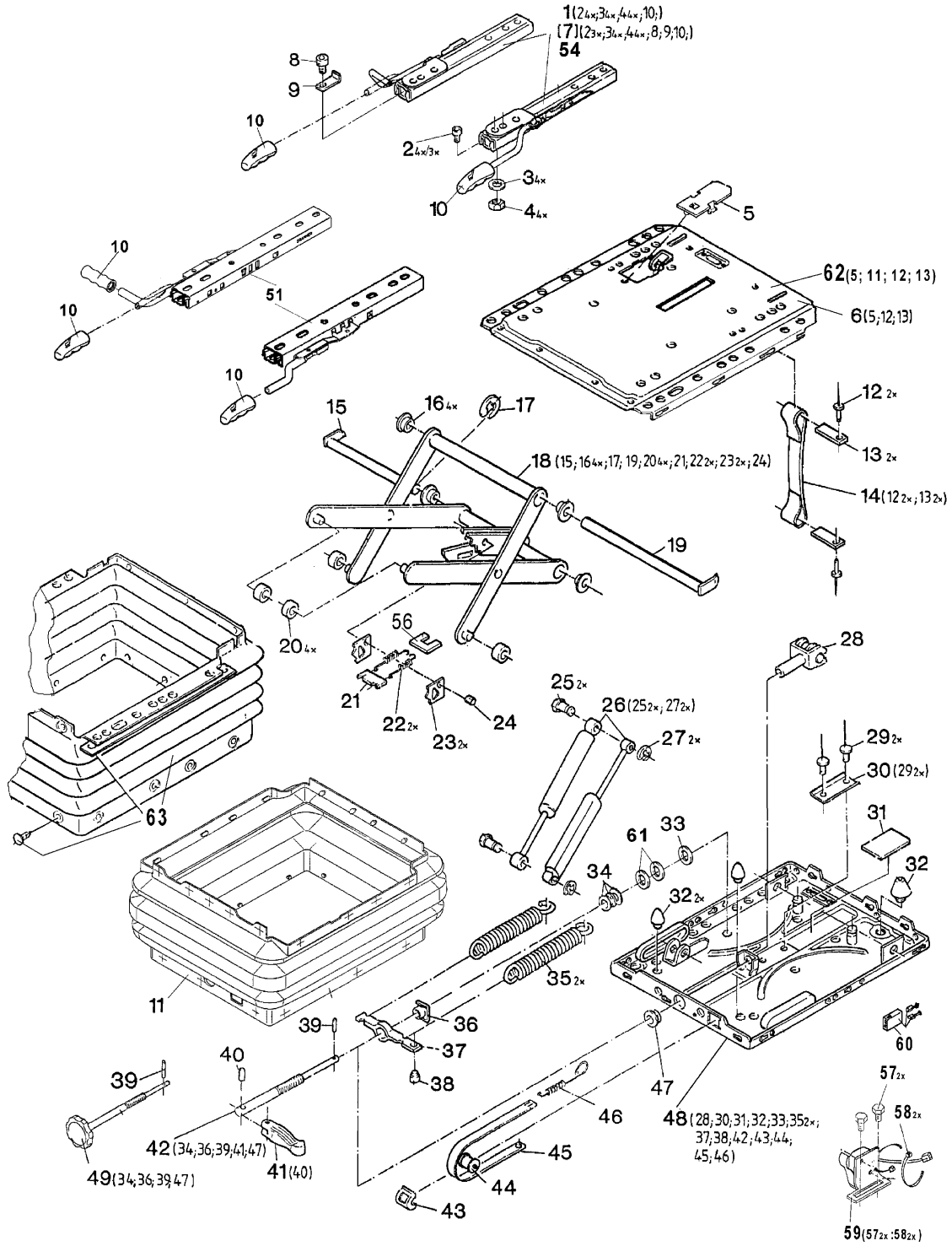


SEAT, GRAMMER MSG 75 (4164150)

ITEM	PART NO.	DESCRIPTION	QTY.	
	4164150	Air Suspension seat with MFA		
1		• Backrest Cushion	1	
1		• Backrest Cushion	1	
1		• Cushion Kit,Back,Blk	1	
1	4205281	• Cushion Kit,Back,Blk	1	
2		• Seat Cushion	1	
2		• Seat Cushion	1	
2		• Cushion Kit,Seat,Blk	1	
2	4205280	• Cushion Kit,Seat,Blk	1	
4		• Backrest Kit	1	
5		• Backrest Extension	1	
5		• Backrest Ext Int Kit	1	
6		• Handle Kit,Grey	1	
7		• Fixing Parts Kit,Back	1	
8		• Literature Box Kit	1	
9		• Side Cover Kit	1	
10	4228780	• Ops Switch Kit	1	
11	4281196	• Suspension Msg75 12v	1	
12		• Armrest Assy,A60/320	1	
13		• Armrest Assy,A60/320	1	
14		• Bellows	1	
15		• Handle	1	
16	4228080	• Housing	1	
17		• Set Of Wearing Parts	1	
18		• Swing Arm	1	
19		• Shock Absorber Kit	1	
20		• Handle Kit,Grey	1	
21		• Set Of Adjustment Rails	1	
22		• Seatbelt Kit,Duo,LH	1	
23		• Handle	1	
24		• Fixing Parts	1	
27	4169180	• Compressor 12v	1	
28	4228081	• Air Spring	1	
29		• Armrest Support	1	
30		• Backrest Adjustment	1	
33		• Lever	1	
35	4205282	• Headrest Cushion	1	
38		• Backrest Extension,Bracket	1	
38		• Backrest Extension	1	
41		• Adjustment Unit	1	
42		• RH Armrest	1	(Not 4164150)
43		• RH Armrest / MFA	1	(4164150 only)

SEAT, GRAMMER MSG 85 (4140320)

Illustration Number: 4140320-1

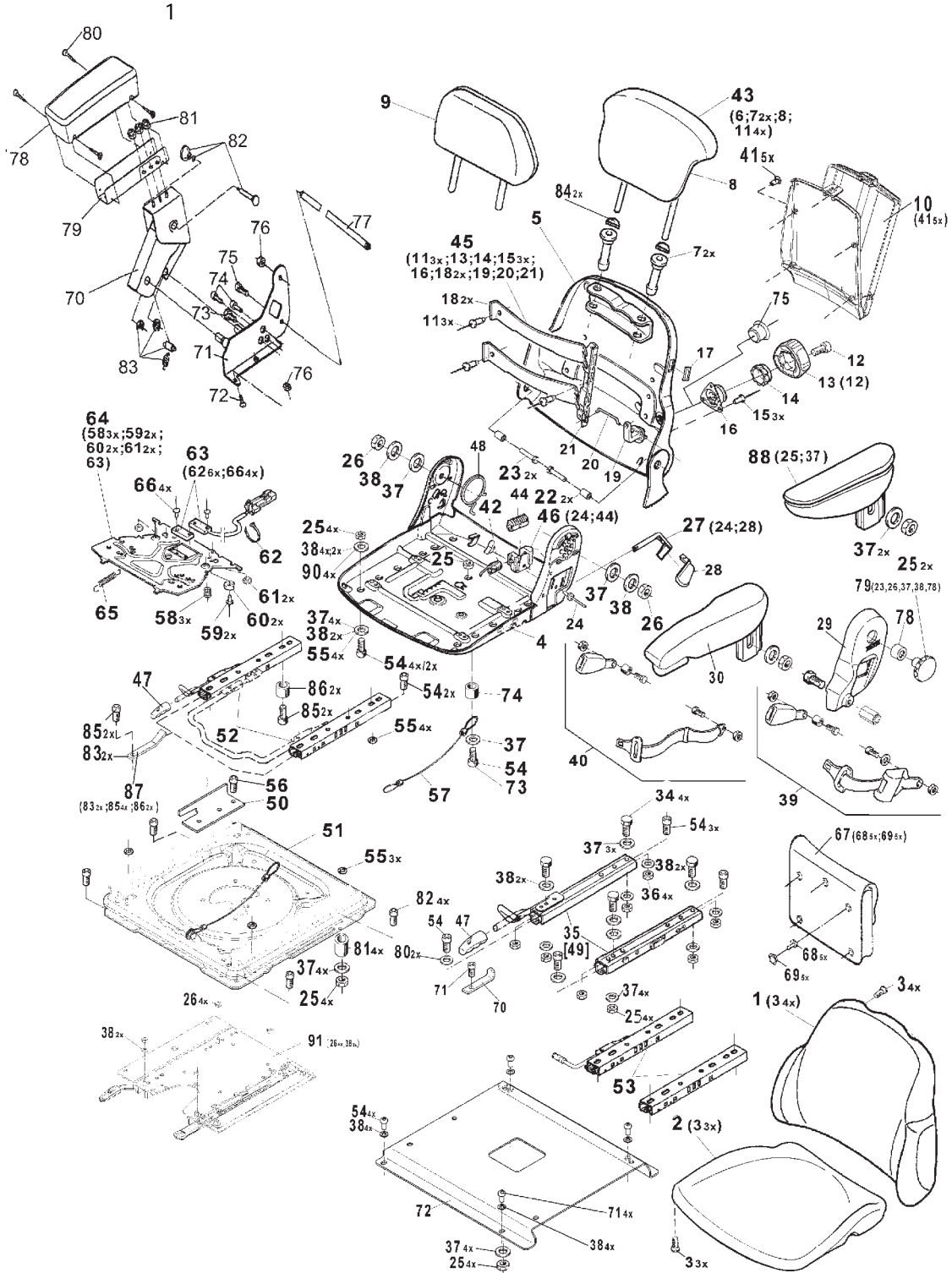


SEAT, GRAMMER MSG 85 (4140320)

ITEM	PART NO.	DESCRIPTION	QTY.	
	4140320	Mechanical Suspension seat with MFA	1	
5	008173680	• Cover	1	
6		• Kit, Suspension Upper	1	
11		• Kit, Bellow	1	
15	008173790	• Bolt	1	
16	008173800	• Bushing	4	
18	008199900	• Swing Arm Kit	1	
19		• Bolt	1	
20	008173780	• Roller	4	
21	008173820	• Plate	1	
22		• Tension Spring	2	
23	008173830	• Release Plate	2	
24	008173840	• Bolt	1	
25	008173710	• Bolt, M8 x 22, Yellow	2	
26	008199680	• Kit, Shock Absorber, S	1	
27	008173720	• Washer, Retaining, 5 mm	2	
28	4197064	• Fork	1	
29	008173740	• Rivet, 4.0 x 10.0	2	
30		• Bracket, U-Shaped Pro	1	
31	008173760	• Rubber Plate	1	
32	008173730	• Bumper Set	1	
33	008173870	• Thrust Washer Kit	1	
35	008144410	• Spring, Tension	2	
36	008173880	• Nut, M12, Flange	1	
37	008173910	• Spring Bracket	1	
38	008173930	• Plug, Retainer	1	
39		• Pin, 3.0 x 16	1	
40		• Pin, 4 x 28	1	
41		• Handle (Toggle)	1	
42		• Adjustment Spindle	1	
43	008173950	• Guide	1	
44	008193960	• Roller	1	
45	008193920	• Band, Weight, 130 kg	1	
46	008173940	• Tension Spring	1	
47		• Bushing	1	
52	4228181	• Suspension Lower Par	1	
53		• Fixing Parts	1	
55	4228180	• Suspension MSG85	1	
57		• Screw, M6 x 12	2	
58		• Ties, Cable, 2.5 x 102	2	
59		• Switch	1	
60	008174000	• Connector, Electrical	1	

SEAT, GRAMMER MSG 85 (4140320)

Illustration Number: 4140320-2

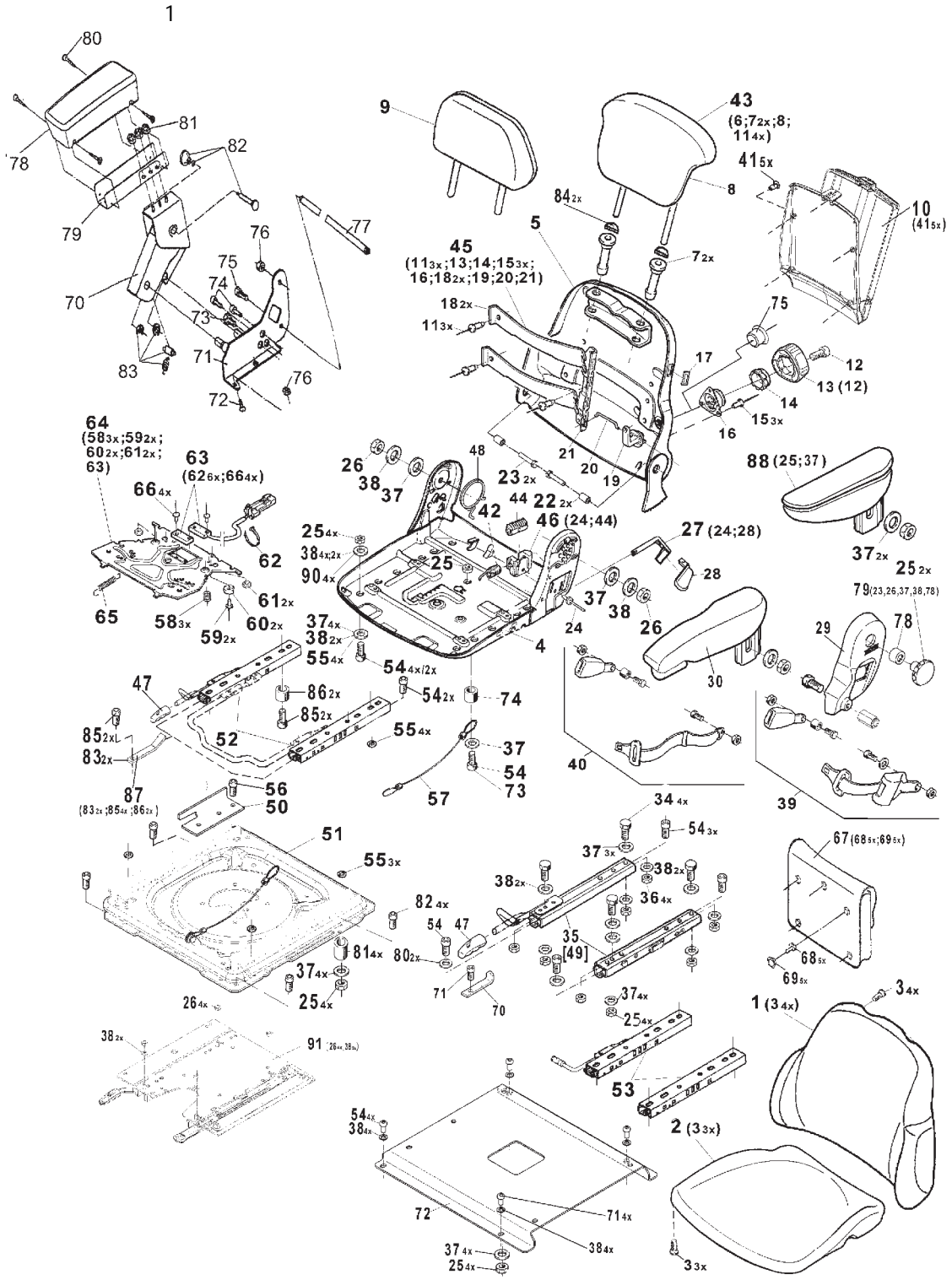


SEAT, GRAMMER MSG 85 (4140320)

ITEM	PART NO.	DESCRIPTION	QTY.	
1		• Assy, Cushion, Backrest	1	
2		• Assy, Cushion, Seat	1	
3		• Screw, M5 x 25, Pan Hd	7	
4		• Seat Pan	1	
5		• Backrest Pan Kit	1	
7		• Tube	2	
8		• Backrest Extension	1	
22		• Tube	2	
23		• Screw, M8-1.25 x 40	2	
24		• Rivet, 6 x 12	1	
25		• Nut, Hex, M8-1.25	6	
26	113048	• Nut, Hex, M8-1.25	2	
27		• Lever	1	
28		• Handle, Grey	1	
29		• Cover, LH, Blk	1	
33		• Cover, RH, Blk	1	
34		• Screw M8 x 16	4	
35		• Set of Adjustment Rails	1	
36		• Nut, Hex M8-1.25	4	
37		• Washer, Flat, M8	11	
38		• Washer 8.4-Hv140	6	
39		• Kit, Seatbelt, 2 Retractable	1	
40		• Seatbelt, 2 Non-retractable	1	
42		• Spring, Spiral	1	
44		• Stop	1	
46		• Bearing Kit	1	
48		• Spring, Leg, Backrest	1	
49		• Set of Adjustment Rails	1	
54		• Screw, M8 x 16, Hex Socket	4	
67		• Literature Box	1	
68		• Blind Rivet 3.2 x 11.2	5	
69		• Ball	5	
88		• Armrest	1	
	4138707	Multi-Function Arm Rest	1	
70		• Adjustment Unit	1	
71		• Arm Rest Support	1	
72		• Screw	1	
73		• Screw	1	
74		• Screw	2	
75		• Screw	2	
76		• Nut	2	

SEAT, GRAMMER MSG 85 (4140320)

Illustration Number: 4140320-2

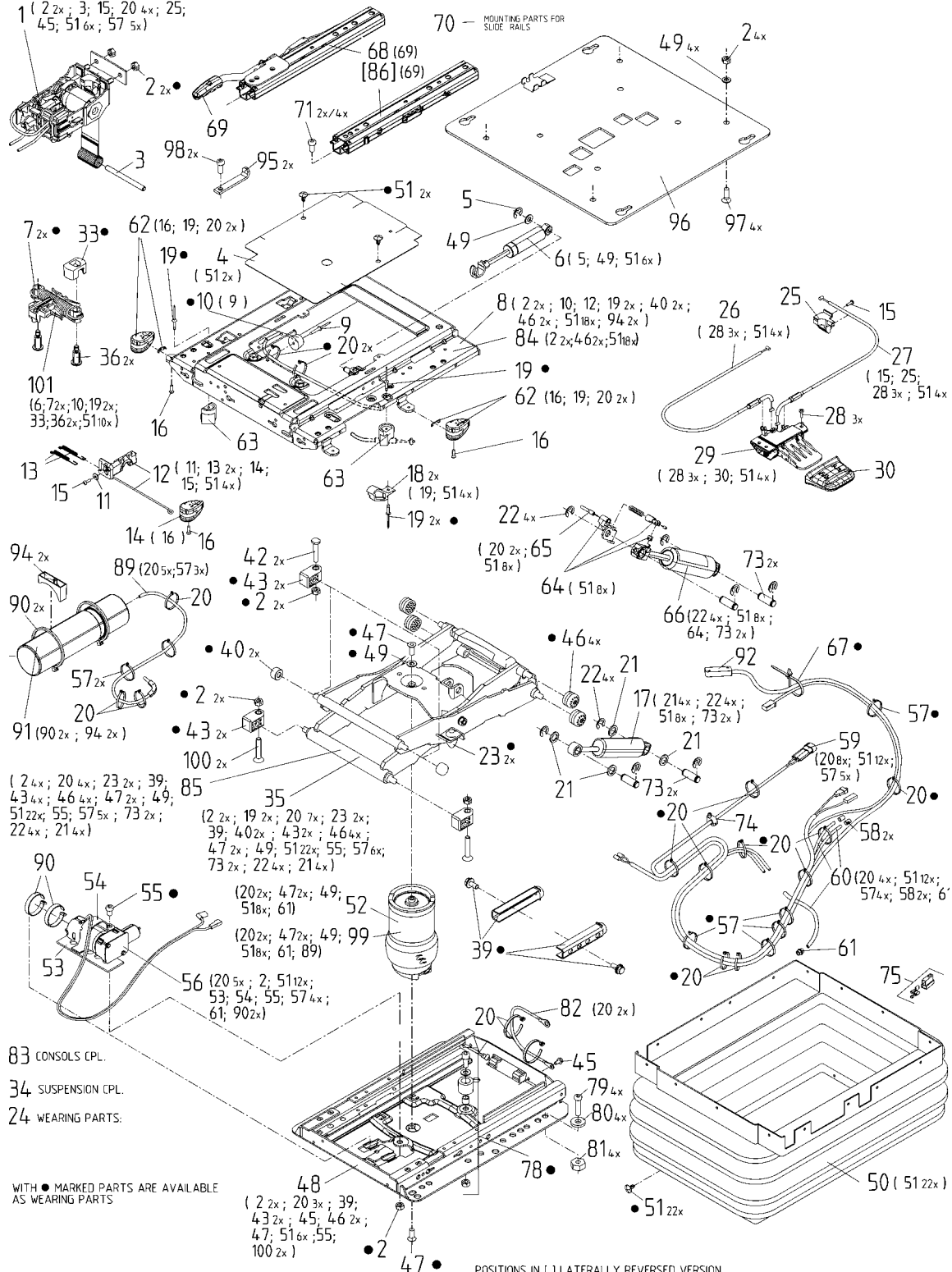


SEAT, GRAMMER MSG 85 (4140320)

ITEM	PART NO.	DESCRIPTION	QTY.	
77		• Tube	1	
78		• Arm Cushion	1	
79		• U-profile	1	
80		• Screw	4	
81		• Nut	3	
82		• Adjustment Spindle	1	
83		• Adjustment Service KIT	1	

SEAT, GRAMMER MSG 95

Illustration Number: MSG95A-06



83 CONSOLS CPL.
34 SUSPENSION CPL.
24 WEARING PARTS:

WITH ● MARKED PARTS ARE AVAILABLE AS WEARING PARTS

48 (2 2x; 20 3x; 39; 43 2x; 45; 46 2x; 47; 51 6x; 55; 100 2x)

POSITIONS IN [] LATERALLY REVERSED VERSION

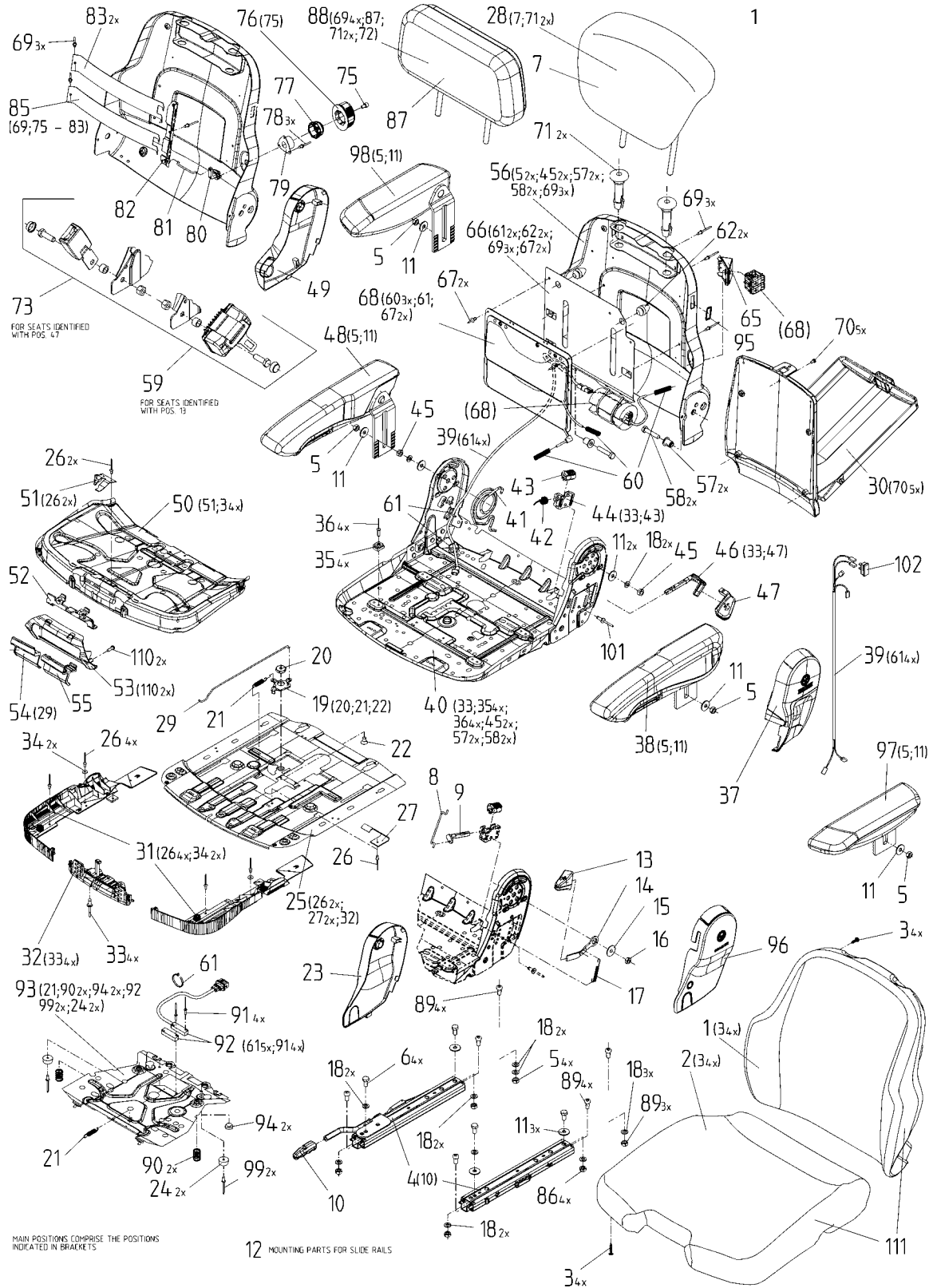
CPL.-POS. COMPRISE THE POSITIONS INDICATED IN BRACKETS []

SEAT, GRAMMER MSG 95

ITEM	PART NO.	DESCRIPTION	QTY.	
1		Level Control	1	
4		Cover Kit	1	
5		Lock Washer PHR . 6.0	1	
6		Shock Absorber Kit	1	
7		Bushing	2	
8		Suspension Upper Par	1	
9		Rivet, 4.8 x 15.5, Al/St	1	
10		Bumper Kit	1	
11		Washer, Flat, M4, Black	1	
12		Locking Lever Kit	1	
13		Tension Spring	2	
14		Handle	1	
16		Screw, 4 x 14	1	
17		Shock Absorber Kit	1	
18		Endstop	2	
19		Rivet, 4 x 16.9, Al/St	2	
22		Lock Washer PHR. 10	2	
23		Damping Bumper Black	2	
24		Wear Parts Kit	1	
26		Cable Bowden Height	1	
27		Cable Bowden Height	1	
28		Screw, M5 x 16	3	
29		Triggering	1	
30		Handle, Grey	1	
33		Bumper	1	
34		Suspension MSG95A 12V	1	
35		Swing Arm Kit	1	
36		Bolt, Shoulder, M8 x 33	2	
39		Endstop Kit	1	
40		Roller Kit	2	
43		Thrust Bearing, Plastic	2	
46		Roller	4	
48		Suspension Lower Par	1	
50		Bellows Kit, Blk, MSG95	1	
52		Air Spring Kit	1	
56		Compressor Kit, 12V	1	
59		Connecting Cable Com	1	
60		Air Hose Kit	1	
69		Handle	1	
71		Screw, M8 x 16	4	
86		Slide Rail Kit	1	
101		Fore-Aft Isolator Kit	1	

SEAT, GRAMMER MSG 95

Illustration Number: S721-14

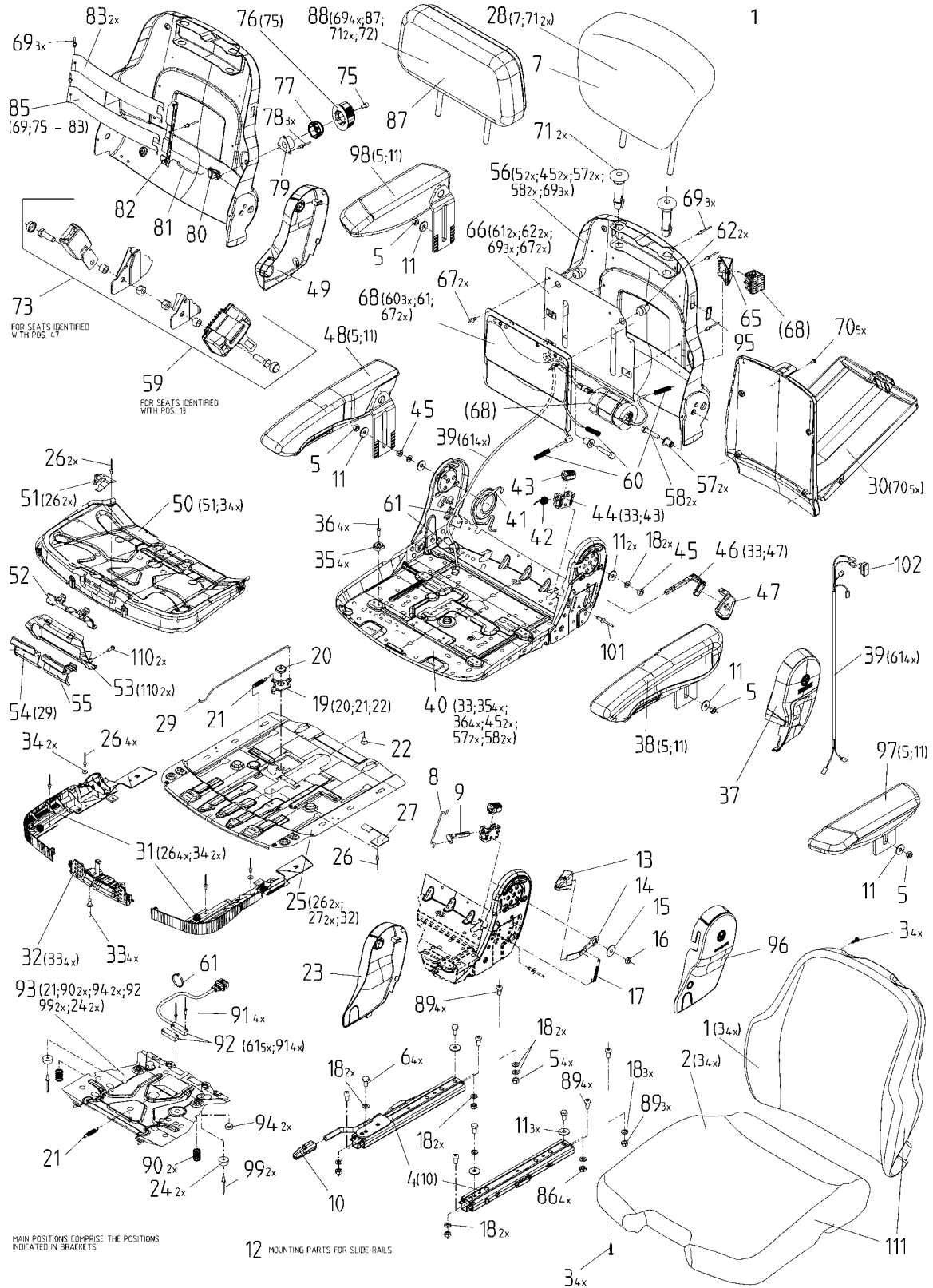


SEAT, GRAMMER MSG 95

ITEM	PART NO.	DESCRIPTION	QTY.	
1 1		Backrest 731 Matrix (Without Seat Heater)	1	
1		Backrest Cushion (With Seat Heater)	1	
2		Cushion 5721 Matrix (Without Seat Heater)	1	
2		Seat Cushion (With Seat Heater)	1	
3		Self Tapping Screw 5	7	
4		Slide Rail Kit	1	
5		Nut, M8	2	
6		Hexagon Head Screw	4	
7		Backrest Extension	1	
8		Rods	1	
9		Lever	1	
10		Handle	1	
11		Washer, Flat, M8	7	
12		Fixing Parts Kit	1	
13		Handle Grip For Back	1	
14		Lever	1	
15		Bushing	1	
16		Hexagon Nut	1	
17		Tension Spring	1	
18		Washer, 8.4-Hv14o	6	
21		Tension Spring, Delta	1	
23		Cover	1	
24		Damping Bumper Black	2	
28		Backrest Extension	1	
30		Literature Box Kit	1	
37		Cover	1	
38		Armrest Kit	1	
40		Seat Pan Kit	1	
41		Torsion Spring	1	
42		Spiral Spring Delta	1	
43		Cam Lock	1	
44		Bearing	1	
45		Nut, Hex, M8-1.25	2	
46		Lever	1	
47		Handle Grip for Back	1	
48		Armrest Kit, A80/380	1	
49		Cover, RH, Black	1	

SEAT, GRAMMER MSG 95

Illustration Number: S721-14

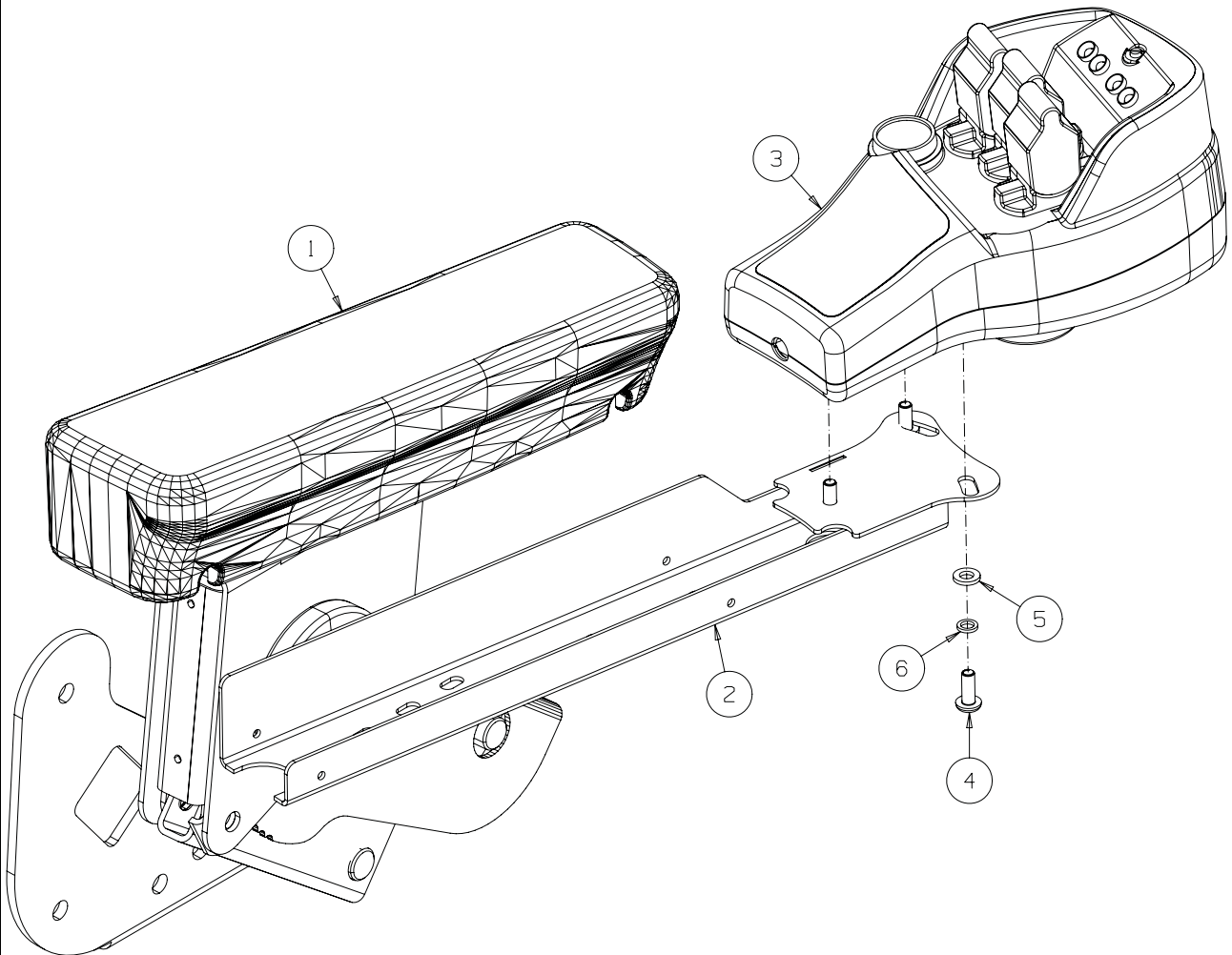


SEAT, GRAMMER MSG 95

ITEM	PART NO.	DESCRIPTION	QTY.	
56		Back Pan Kit	1	
57		Bushing	2	
58		Screw, M8 x 40	2	
59		Dual Seat Belt Kit	1	
61		Cable Fastener, 6 x 2	3	
69		Blind Rivet, 8 x 8	3	
70		Screw, M4 x 8	5	
71		Bushing	2	
73		Retractable Seat Belt	1	
75		Screw, M6 x 10	1	
76		Handle Kit, Grey	1	
77		Cog	1	
78		Rivet, 3.2 x 8, St	3	
79		Winding Spring Break	1	
80		Carrier Mech Lumbar	1	
81		Linkage	1	
82		Angle Black	1	
83		Lumbar Plate	2	
85		Lumbar Support	1	
86		Nut, M8-1.25	4	
89		Screw, M8 x 16	4	
90		Compression Spring	2	
91		Rivet, 3.2 x 14, Al/Al	4	
92		Switch	1	
93		Switch	1	
94		Damper Bumper	2	
95		Cover Black	1	
96		Cover	1	
97		Armrest Kit, C3, LH	1	
98		Armrest Kit, C3, RH	1	
99		Rivet, 4.8 x 10.3, Al/St	2	
101		Blind Rivet, 6 x 14	1	

ARMREST

Illustration Number: 4192986

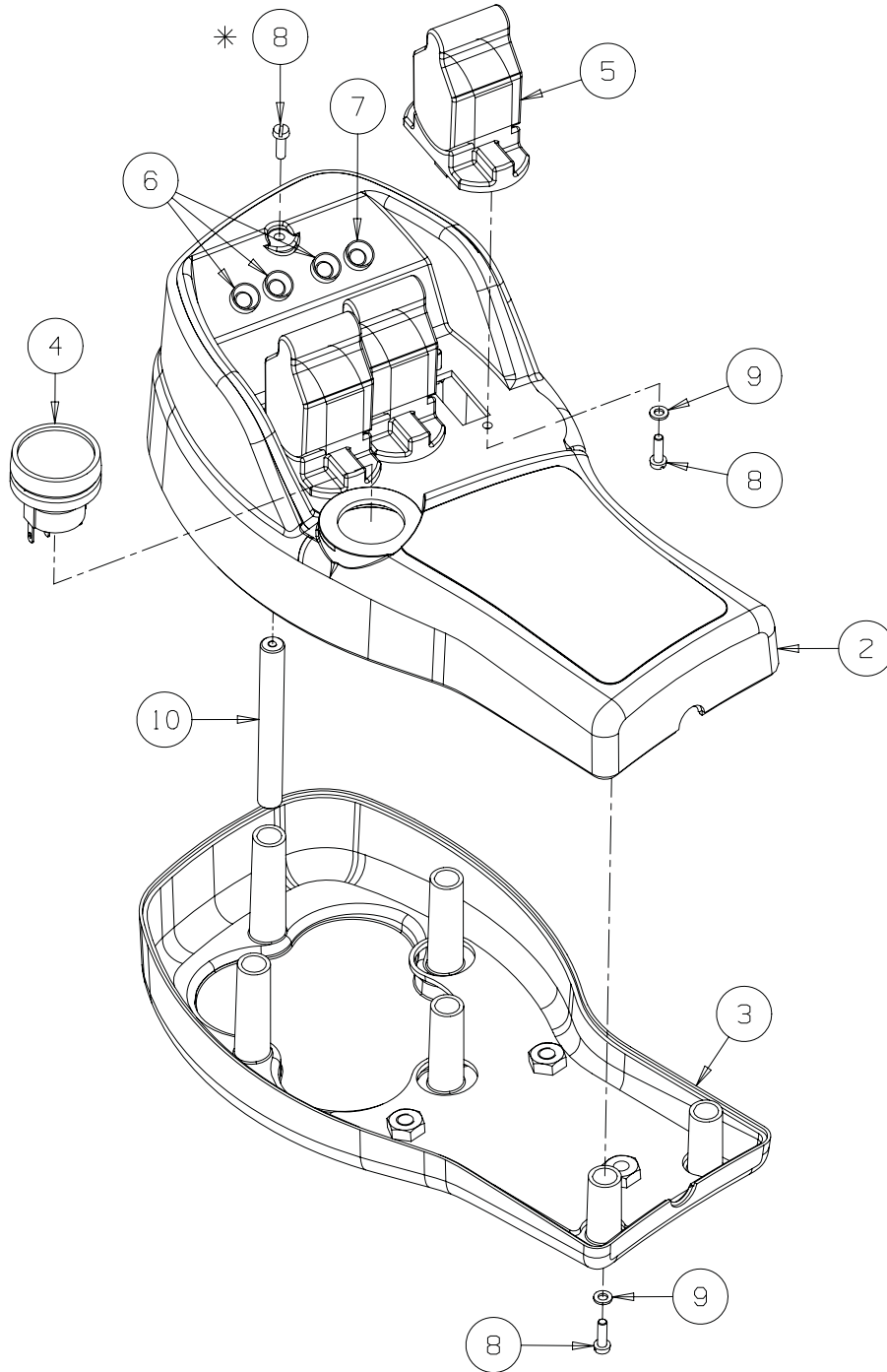


ARMREST

ITEM	PART NO.	DESCRIPTION	QTY.	
2	4170260	Wldmt-Armrest Bracket	1	
3	4207603	Asm-Armrest Pod	1	
4	450541	Screw-Pan Hd M6 x 16	3	
5	450389	Washer-M6 x 12.5 x 1.8	3	
6	450410	LockWasher-M6 x 9.6 x 1.6	3	

ASSEMBLY - ARMREST POD

Illustration Number: 4207603



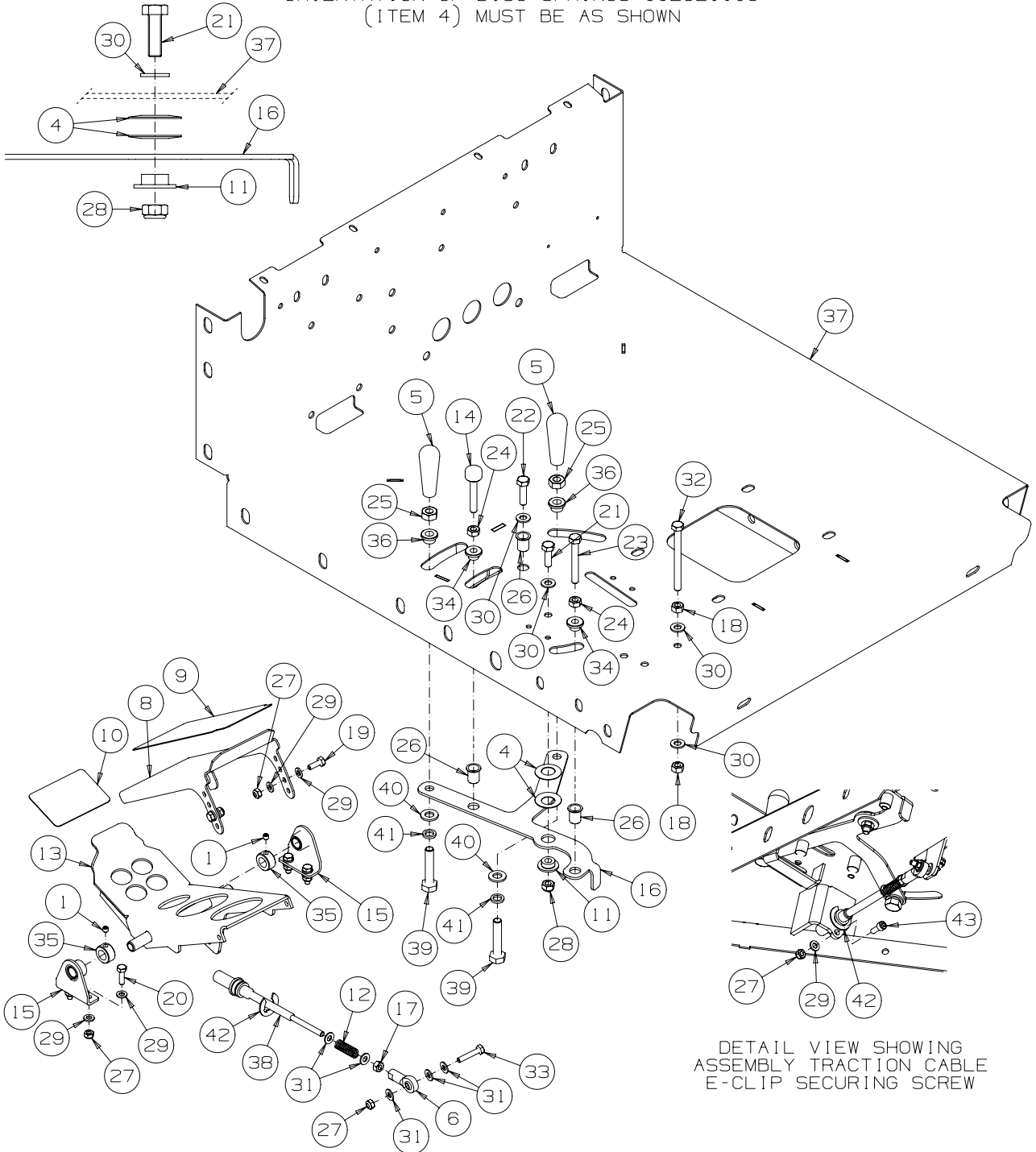
ASSEMBLY - ARMREST POD

ITEM	PART NO.	DESCRIPTION	QTY.	
1	4205243	Armrest Loom	1	
2	4207604	Armrest Pod, Top	1	
3	4161380	Armrest Pod Assembly, Bottom	1	
4	4158940	Weight Transfer Switch	1	
5	4206260	Single Axis Joystick	3	
6	4205244	Green LED	3	
7	4212121	Yellow LED	1	
8	4162862	Screw-M3 x 8	13	
9	450418	LockWasher-M3 x 6.1 x 0.9	12	
10	4212501	Spacer-Armrest Pod	1	

TRACTION PEDAL

Illustration Number: 4193002-2

** IMPORTANT NOTE **
ORIENTATION OF DISC SPRINGS 002921109
(ITEM 4) MUST BE AS SHOWN



DETAIL VIEW SHOWING
ASSEMBLY TRACTION CABLE
E-CLIP SECURING SCREW

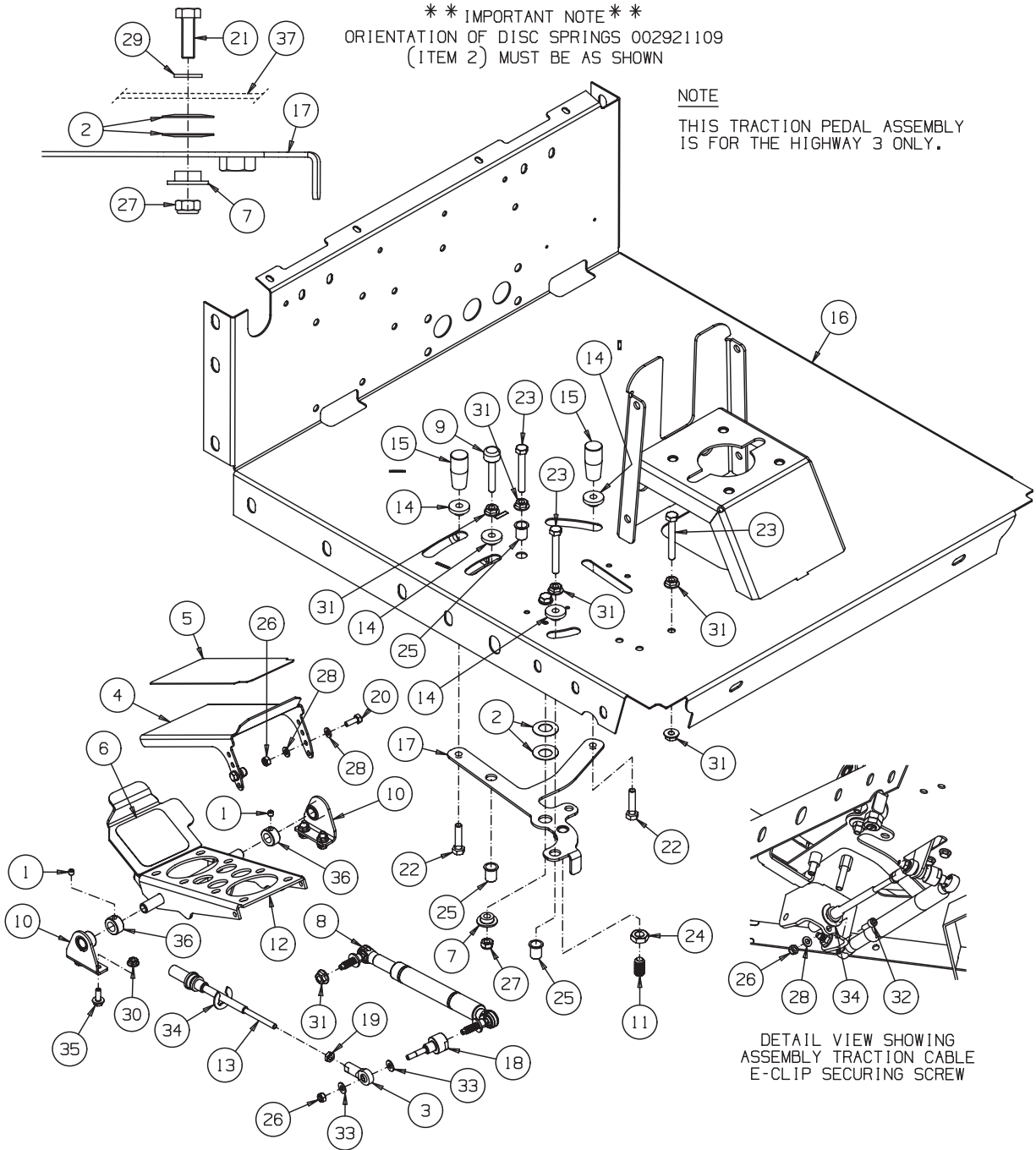
TRACTION PEDAL

ITEM	PART NO.	DESCRIPTION	QTY.	
1	001290379	Screw-Set 1/4-20 x 1.1/4	2	
4	002921109	Sprg-Disc 16.3 x 31.5 x 0.8	2	
5	002990227	Knob	2	
6	128079	1/4" Rod End	1	
8	4162211	Adj Footpedal Plate	1	
9	4168467	Anti-Slip, Footpedal Fwd	1	
10	4168468	Anti-Slip, Footpedal Reverse	1	
11	4171600	Washer-Speed Governor Spacer	1	
12	4172560	Sprg-Comp 11.13 x 1.42 x 31.75	1	
13	4210380	Wldmt-Footpedal	1	
14	4179841	Reverse Stop, Traction Pedal	1	
15	4185740	Pedal Pivot Bracket	2	
16	4206946	Lever-Speed Governor	1	
17	450020231	Nut-Hex 1/4-28 Thin	1	From S/N: GF000366 and GU000302.
18	450020053	Nut-Hex 5/16-24	2	
19	450170	Screw-Hex M6 x 16	2	
20	450171	Screw-Hex M6 x 20	4	
21	450192	Screw-Hex M8 x 25	1	
22	450193	Screw-Hex M8 x 30	1	
23	450199	Screw-Hex M8 x 60	1	
24	450324	Nut-Hex M8	2	
25	450325	Nut-Hex M10	2	
26	450369	M8 Nutsert	3	
27	450377	Nut-Hex M6 Nyloc	8	
28	450378	Nut-Hex M8 Nyloc	1	
29	450389	Washer-M6 x 12.5 x 1.8	13	
30	450390	Washer-M8 x 17 x 1.8	4	
31	452000211	Washer-1/4 x 9/16 x .056	5	
32	456011395	Screw-Hex 5/16-24 x 3.1/2	1	
33	450001	Bolt-Hex M6 x 30	1	
34	MBF1552	Spacer	2	
35	W43067A	Collar-Set	2	
36	4213221	Spacer	2	
37	4289452	Wldmt-Platform	1	
38	4213940	Traction Cable	1	
39	450219	Screw-Hex M10 x 50	2	
40	450391	Washer-M10 x 21 x 2.2	2	
41	450412	LockWasher-M10 x 15.9 x 2.65	2	
42	452119	E-clip	1	
43	450711	CapScrew-Sckt M6 x 16	1	

TRACTION PEDAL DAMPER TYPE

Illustration Number: 4295211.eps

1

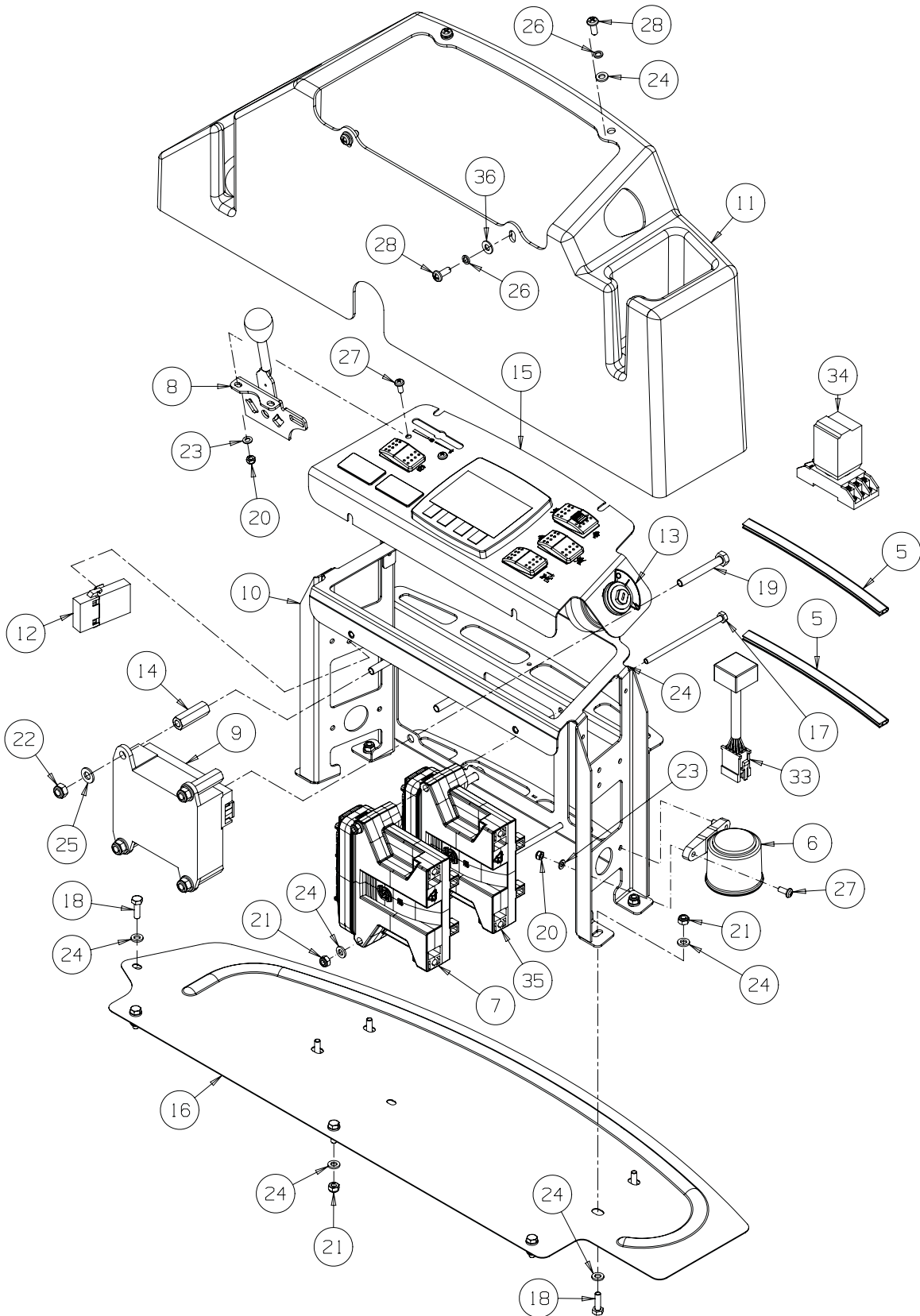


TRACTION PEDAL DAMPER TYPE

ITEM	PART NO.	DESCRIPTION	QTY.	
		From Serial Numbers GF000644 GU000305		
1	001290379	Setscrw-hex Sckt 1/4-20 X 1/4, Cup Pnt	2	
2	002921109	Sprg-disc 16.3 X 31.5 X 0.8	2	
3	128079	1/4" Rod End	1	
4	4162211	Adj Footpedal Plate	1	
5	4168467	Anti-slip-footpedal Fwd	1	
6	48013-06a	Mat,non Skid 2.75 X 2.75	1	
7	4171600	Washer-speed Governer Spacer	1	
8	4241148	Damper-self Centering	1	
9	4179841	Reverse Stop, Traction Pedal	1	
10	4185740	Pedal Pivot Bracket	2	
11	4200040	Detent Screw - M12	1	
12	4241149	Wldmt-footpedal	2	
13	4213940	Traction Cable	1	
14	4241163	Bush-flng 8.5 X 13 X 10.5, Nylon	4	
15	4241166	Handle-taper, M8-1.25	2	
16	4289452	Wldmt-platform (Lightweight Hardpoint)	1	
17	4256394	Wldmt Speed Govenor	1	
18	4241151	Bolt-damper Mtg	1	
19	450020231	Nut-hex 1/4-28, Gr 1, Thin	1	
20	450170	Scrw-hex M6-1.0 X 16, Gr 8.8	2	
21	450192	Scrw-hex M8-1.25 X 25, Gr 8.8	1	
22	450194	Scrw-hex M8-1.25 X 35, Gr 8.8	2	
23	450199	Scrw-hex M8-1.25 X 60, Gr 8.8	3	
24	450333	Nut-hex M12-1.75, Gr 8, Thin	1	
25	450369	M8-1.25 (A-I) Nutsert (0.7-3.8 G/I)	3	
26	450377	Nut-hex M6-1.0, Gr 8, Nyloc	4	
27	450378	Nut-hex M8-1.25, Gr 8, Nyloc	1	
28	450389	Wshr-m6 X 12.5 X 1.8	5	
29	450390	Wshr-m8 X 17 X 1.8	1	
30	450452	Nut-hex M6-1.0, Gr 10, Verbus Ripp	4	
31	450453	Nut-hex M8-1.25, Gr 10, Verbus Ripp	6	
32	450711	Capscrw-hex Sckt M6-1.0 X 16, Gr 12.9	1	
33	452000211	Wshr-1/4 X 9/16 X .056	2	
34	452119	E-clip 15 Mm	1	
35	64139-20	Scrw-hex M6-1.0 X 16 Whiz-lock	4	
36	W43067a	Collar Set	2	

INSTRUMENT PANEL

Illustration Number: 4206780-2

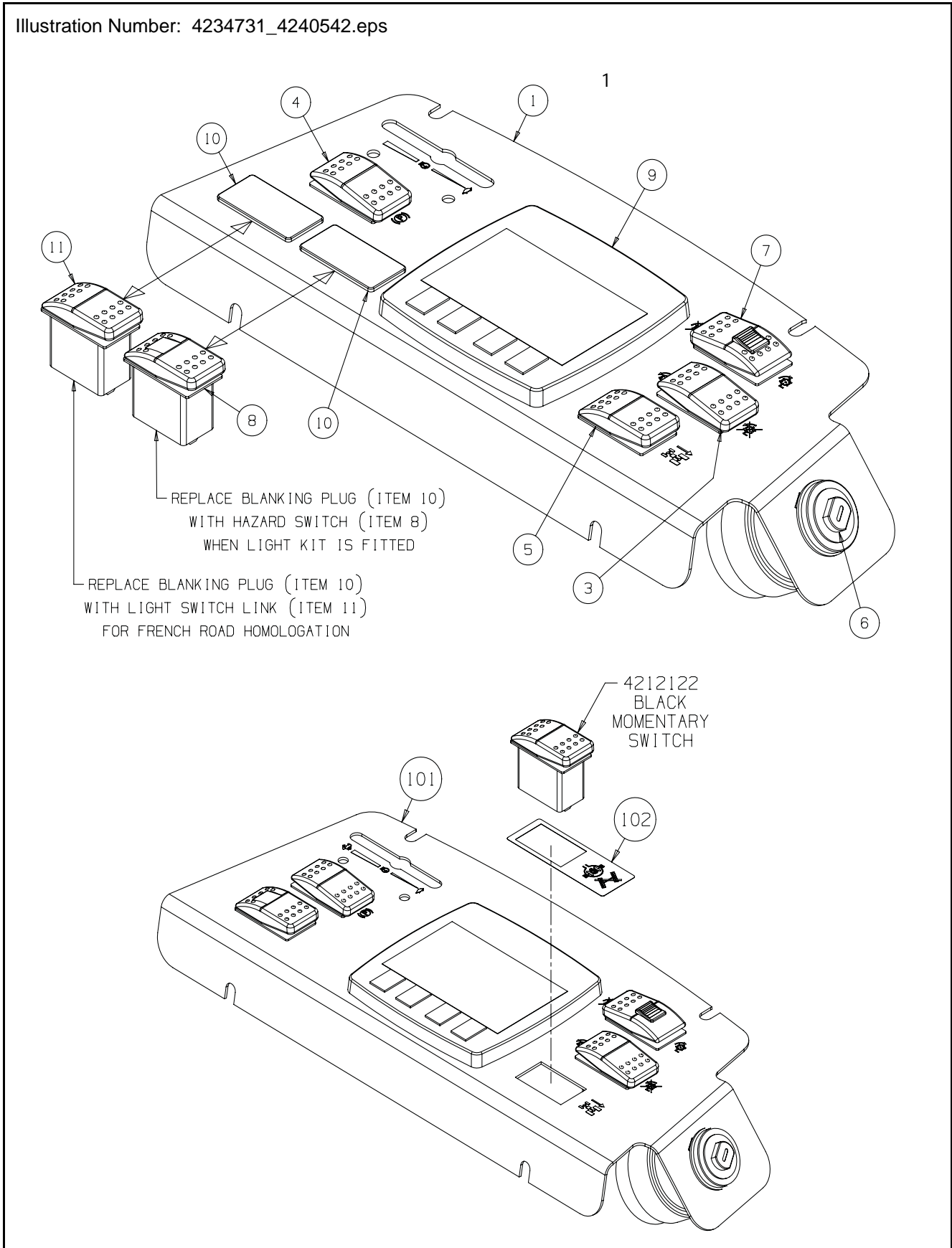


INSTRUMENT PANEL

ITEM	PART NO.	DESCRIPTION	QTY.	
1	008233156	Fuse-5 Amp	4	
2	008233164	Fuse-10 Amp	7	
3	008233180	Fuse-20 Amp	1	
4	4175078	Relay	3	
5	379050522	Beading	A/R	
6	4142655	Horn	1	
7	4263078	Plus +1 Controller C/W H3 Program B	1	From S/N: GF000528, GU000305
8	4150737	Mow Speed Selector	1	
9	4157023	Relay/Fuse Mounting Panel	1	Not available as a spare part
10	4234728	Wldmt-Instrument Cradle	1	From S/N: GF000403, GU000302
11	4234726	Instrument Cover	1	From S/N: GF000403, GU000302
12	4162820	Fuse-40 Amp (complete)	1	Not available as a spare part
*	4154600	• Fuse-40 Amp	1	
*	4154602	• Clear Top Cover	1	
*	4154603	• Fixing Plate	1	
13	4163243	Decal-Keyswitch	1	
14	4211920	Spacer-Hex M8 x 40	4	
15	4206802	Operator Panel Assembly (complete)	1	Not available as a spare part
16	4207420	Plate-Instrument Panel Base	1	
17	4207420	Bolt-Hex M6 x 110	2	
18	450171	Screw-Hex M6 x 20	8	
19	450199	Screw-Hex M8 x 60	4	
20	450376	Nut-Hex M5 Nyloc	4	
21	450377	Nut-Hex M6 Nyloc	10	
22	450378	Nut-Hex M8 Nyloc	4	
23	450388	Washer-M5 x 10 x 1.1	4	
24	450389	Washer-M6 x 12.5 x 1.8	22	
25	450390	Washer-M8 x 17 x 1.8	4	
26	450410	LockWasher-M6 x 9.6 x 1.6	4	
27	450526	Screw-Pan Hd M5 x 12	4	
28	450542	Screw-Pan Hd M6 x 20	4	
30	008233172	Fuse-15 Amp	2	
31	008233340	Fuse-7.5 Amp	1	
32	4139775	Fuse-2 Amp	1	
33	4128338	Diode Module	1	
34	4212123	Backlap Relay	1	
35	4263077	Plus +1 Controller C/W H3 Program A	1	From S/N: GF000528, GU000305
36	452000211	Washer-1/4 x 9/16 x 0.056	2	

OPERATOR PANEL ASSEMBLY (COMPLETE)

Illustration Number: 4234731_4240542.eps

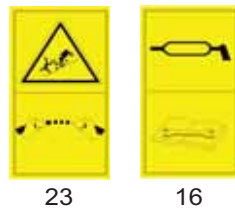
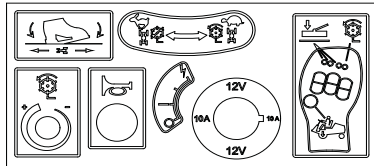
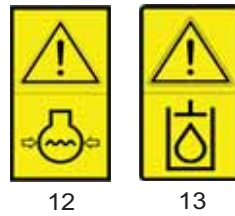
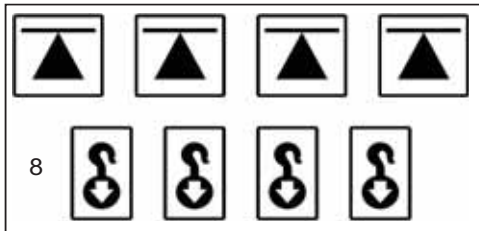


OPERATOR PANEL ASSEMBLY (COMPLETE)

ITEM	PART NO.	DESCRIPTION	QTY.	
1	4234730	Instrument Panel-Screen Printed	1	
2	4205246	Operator Panel Loom	2	
3	4159102	Mow/Reel Switch (Yellow)	1	
4	4205245	Park Brake Switch (Red)	1	
5	4212122	Switch-Momentary (Black)	1	
6	008289120	Ignition Switch	1	
*	4191900	• key	1	
7	4139764	Switch, Lockable	1	
8	4138892	Hazard Switch (Black)	1	Part of Lighting Kit
9	4198285	Graphical Display	1	
10	4135853	Mounting Panel Plug	2	
11	4250330	Light Switch Link	1	For French Homologation
101	4234731	Panel Assembly Complete	1	Not available as a Service Part
102	4240543	Decal-Difflock	1	for 2WD machine

DECALS - HIGHWAY 3

Illustration Number: IDL163



DECALS - HIGHWAY 3

ITEM	PART NO.	DESCRIPTION	QTY.	
	IDL163	KIT-DECAL, HIGHWAY 3		
1	009034770	Decal-Noise 105 dB	1	
2	009034880	Decal - Caution, Rotating Fan	1	
4	009034900	Decal-Caution, Belt	1	
6	009034920	Decal - Caution, Stay Clear of Hot Surfaces	1	
8	009039870	Decal - Tie Down & Jacking Points	1	
10	009114340	Decal - Caution, Diesel Fuel	1	
12	4118415	Decal - Caution, Engine Coolant Under Pressure	1	
13	4164860	Decal - Caution, Hydraulic Oil	1	
14	4153197	Decal - Caution, Read Manual before Pressure Washing	1	
15	4216560	Decal - Ransomes RH, Tank	1	
16	4164580	Decal - Lubrication Point	5	
17	4217021	Decal Set - Controls	1	
18	4216561	Decal - Ransomes LH, Tank	1	
20	4199980	Decal - Ransomes	1	
21	4212900	Decal - Highway 3, Engine Hood	1	
23	009114380	Decal - Caution, Fasten Seat Belt	1	
24	4227660	Decal - Seat Plate	1	
25	4220280	* Decal - White Infill (360 x 50)	1	
		* Not Illustrated		

PARTS MANUAL

HYDRAULIC CIRCUIT

ITEM	PART NO.	DESCRIPTION	QTY.	
1	002449048	Test Point-1/8 BSPP x M16	2	Main Pump
2	002498400	Tee-M/F/M 11/16 ORS	2	Lift Valve and Manifold Tee
3	002498490	Tee-M/F/M 13/16 ORS	1	Cutter Valve
4	002498870	Tee-M/F/M 1-3/16 ORS	1	Manifold-Oil Tank
5	002515000	Ftg-9/16 ORS x 7/16 SAE	2	Rear LH & RH Wheel Motors
6	002515050	Ftg-1-7/16 ORS x 1-5/16 SAE	1	Main Pump
7	002525010	90-M/M 9/16 ORS x 9/16 SAE	2	Steering Ram
8	002540010	Tee-M/M/F 1 ORS	1	Cutter Valve
9	002560010	Cap-9/16 ORS	1	Brake Release Valve
10	002590050	90-M/M/F 13/16ORSx7/8SAEx1/8BSPP	1	Main Pump
11	002590210	90-M/M 13/16 ORS x 3/8 BSPP	2	Speed Valve
12	002590450	90-M/F 9/16 ORS	1	Steering Column
13	002590480	Tee-M/F/M 9/16 ORS	2	Front RH Wheel Motor and Manifold Tee
14	002590890	Ftg-Lg 1 ORS x 7/8 SAE	1	Rear RH Wheel Motor
15	002600230	Reducer-F/M 13/16 x 11/16 ORS	1	Cutter Valve
16	4127555	Ftg-Lg 9/16 ORS x 7/16 SAE	2	Front LH & RH Wheel Motors To S/N GF000568 & GU000304
17	4130606	Ftg-Lg 1 ORS x 1-1/16 SAE	4	Front LH & RH Wheel Motors To S/N GF000568 & GU000304
18	4133963	Reducer - 13/16"-16 UNF. (ORFS)	1	Cutter Valve
19	4133964	Nut 1"-14 UNF.(ORFS)	1	Cutter Valve
20	4136396	Tee-M/M/Blkhd 11/16 ORS	1	Cutting Motors Bulkhead
21	4139161	ORFS Cap 1-3/16"-12	2	Transmission
22	4140337	90-Blkhd-M/M-9/16" ORFS	3	2xSteering Ram (engine) and 1xCentre Unit Lift Ram Bulkhead
23	4167923	Ftg-3/4" BSP male x swivel female 45°	1	Oil Cooler
24	4171621	90-M/M/F 13/16ORSx7/8SAEx1/8BSPP	1	Main Pump
25	4188084	Tee-M/M/M 1-3/16 ORS (2)x1-1/16 SAE	1	Transmission
26	4188360	Test Point-1/8 BSPP x 1-3/16 ORS	1	Light Fitting
27	4202760	Manifold, Highway 3	1	Manifold Block
28	4216340	90-M/F 1 BSPP x 1 BSPP, long drop	1	Oil Tank
29	158006-01	Fitting-ORS/ORB	1	Middle Cutter Lift Ram
30	158006-06	Fitting-ORS/ORB	8	6xCutter Valve, 1xFront LH and 1xFront RH Cutter Motor
31	158006-07	Fitting, ORB/ORS	5	1xRear RH Whl Mtr, 2xRear LH Whl Mtr, 1xCutter Valve and 1xTransmission
32	158006-08	Fitting-ORB/ORS	2	Transmission
33	158006-11	Fitting-ORB/ORS	6	5xTransmission Valve and 1xCharge Filter
34	158006-13	Connector,Straight Thd	4	Lift Valve & Front Whl Motors
35	158006-15	Fitting-ORS/ORB	7	3xLift Valve, 4xBrake Release Valve

HYDRAULIC CIRCUIT

ITEM	PART NO.	DESCRIPTION	QTY.	
*	158006-01	Fitting-ORS/ORB	3	3/8" Use with Drain Hoses 4295493 4293811 4293794
36	158007-03	Fitting-90 ORS/ORB	5	1xCutter Valve, 1xFrt RH, 1xFrt LH and 2xCtr Cutter Mtr
37	158007-06	Fitting-90 ORS/ORB	2	1xTransmission Valve and 1xCharge Filter
38	158007-07	Fitting-90 ORS/ORB	1	Transmission
39	158007-08	Fitting-90 ORS/ORB	2	1xTransmission Valve and 1xOil Tank
40	158010-02	Fitting-ORS Run Tee	1	Front RH Wheel Motor
41	158067-04	Ftg-Blkhd ORS/ORS	4	4xCutting Motors Bulkhead
42	69057-02	Fitting-Branch Tee -12 ORS	1	Transmission
1001	4224260	Hose-RH Rear Motor Lower Port to Transmission Valve Port "RRR"	1	To S/N GF000505
1001	4241111	Hose-RH Rear Motor Lower Port to Transmission Valve Port "RRR"	1	From S/N GF000506
1002	4224261	Hose-RH Rear Motor Upper Port to Transmission Valve Port "RR"	1	To S/N GF000505
1002	4241110	Hose-RH Rear Motor Upper Port to Transmission Valve Port "RR"	1	From S/N GF000506
1003	4224262	Hose-RH Rear Motor Drain to Drain Manifold	1	To S/N GF000557 & GU000300
1003	4241112	Hose-RH Rear Motor Drain to Drain Manifold	1	From S/N GF000558 & GU000301
1004	4224263	Hose-LH Rear Motor Upper Port to Transmission Valve Port "LR"	1	
1005	4224264	Hose-LH Rear Motor Lower Port to Transmission Valve Port "LRR"	1	
1006	4224265	Hose-LH Rear Motor Drain to Drain Manifold	1	
1007	4224266	Hose-LH Front Motor Lower Port to Transmission Valve Port "LF"	1	To S/N GF000568 & GU000304
1009	4224267	Hose-LH Front Motor Drain to RH Front Motor Drain	1	To S/N GF000568 & GU000304
1010	4224268	Hose-RH Front Motor Drain to Brake Release Valve Port "PB1"	1	To S/N GF000568 & GU000304
1011	4224269	Hose-RH Front Motor Upper Port to Transmission Valve Port "B"	1	To S/N GF000568 & GU000304
1012	4224270	Hose-Transmission Pump Port "A" to Transmission Valve Port "REV"	1	
1013	4224271	Hose-Transmission Pump Charge Port to Charge Filter Outlet Port	1	
1014	4224272	Hose-Transmission "L" Port to Oil		

PARTS MANUAL

HYDRAULIC CIRCUIT

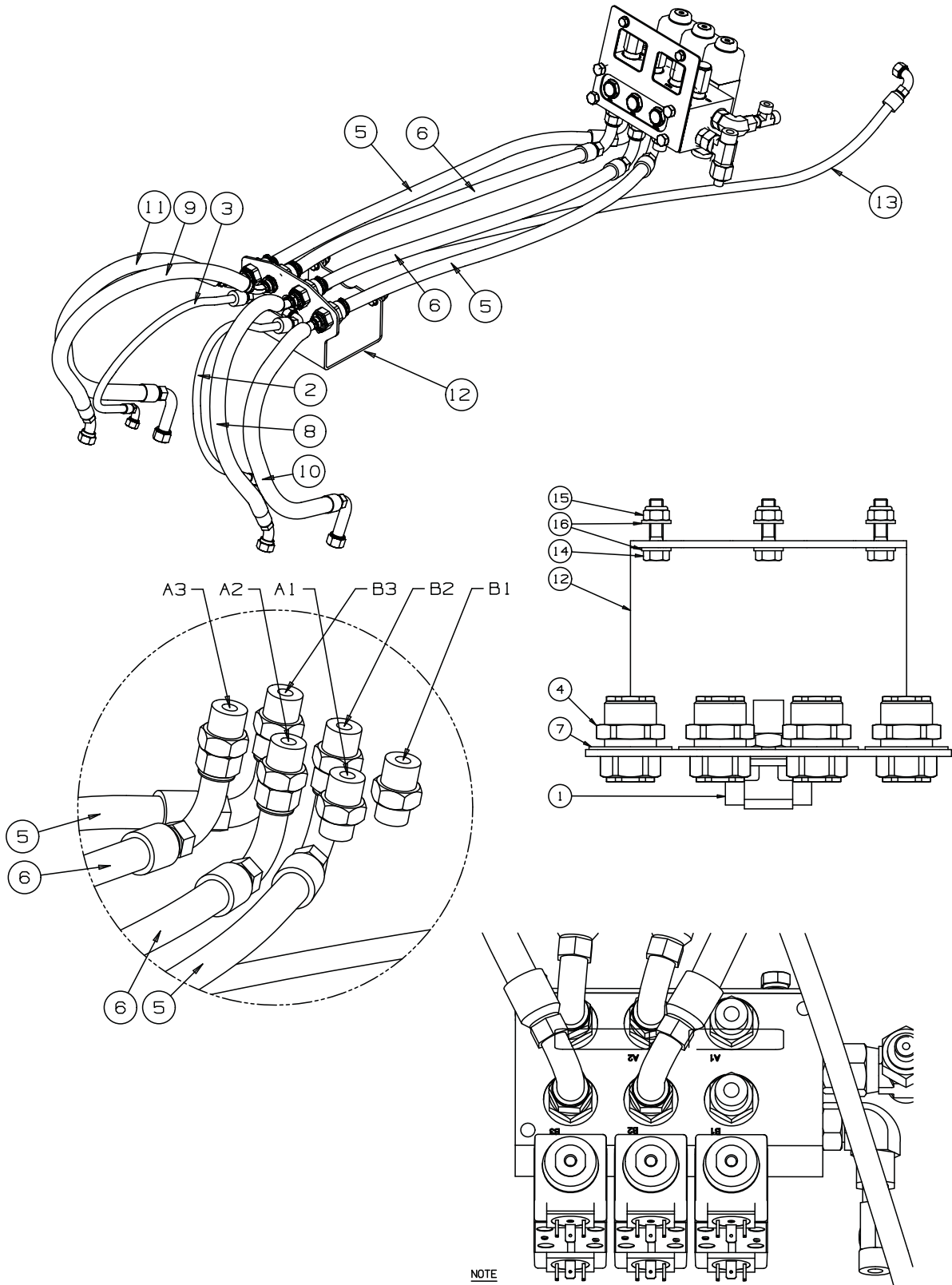
ITEM	PART NO.	DESCRIPTION	QTY.	
1015	4224273	Cooler	1	
		Hose Charge Filter Inlet port to		
		Cutter Valve tee	1	to S/N GF000568 & GU000304
1015	007996940	Hose-Charge Filter Inlet Port to		
		Cutter Valve Tee	1	From S/N GF000569 & GU000305
1016	4229240	Hose-Cutter Valve Port "T" to Brake		From S/N GF000358 & GU000302
		Release Valve "CHG"	1	
1017	4224275	Hose-Brake Release Valve Port "DR"		
		to Drain Manifold	1	
1018	4295493	Hose-Drain Manifold Tee to Centre		Use Fitting - 158006-01
		Unit Bulkhead	1	
1019	4224277	Hose-Cutter Valve Port "B1" to Centre		
		Unit Bulkhead	1	
1020	4224278	Hose-Cutter Valve Port "A1" to Centre		
		Unit Bulkhead	1	
1028	4293811	Hose-Frt Blkhd Drain to LH Cutter		Use Fitting - 158006-01
		Motor Drain	1	
1031	4293794	Hose-Frt Blkhd Drain to RH Cutter		Use Fitting - 158006-01
		Motor Drain	1	
1032	4224286	Hose-Cutter Pump to Cutter Valve		
		Port "P"	1	
1033	4224287	Hose-Speed Valve Port "1" to Cutter		
		Valve Tee	1	
1034	4280391	Hose-Speed Valve Port "2" to Drain		From S/N GF000569 & GU000305
		Manifold	1	
1034	4224288	Hose-Speed Valve Port 2" to Drain		To S/N GF000568 & GU000304
		Manifold		
1035	4281351	Hose-Lift Pump to Steering Unit		
		Port "P"	1	
1036	4224290	Hose-Steering Unit Port "T" to Lift		
		Valve Tee	1	
1037	4281352	Hose-Steering Unit Port "E" to Lift		
		Valve Port "SP"	1	
1038	4224292	Hose-Steering Unit Port "L" & "R" to		
		Blkhd Steering Cyl	2	
1040	4224293	Hose-Lift Valve Port "L1" to Front LH		
		Lift Cyl	1	To S/N: GF000423 & GU000302
1040	4235440	Hose-Lift Valve Port "L1" to Front LH		
		Lift Cyl	1	From S/N: GF000423 & GU000302
1041	4224294	Hose-Lift Valve Port "L2" to Front RH		
		Lift Cyl	1	To S/N: GF000423 & GU000302
1041	4235441	Hose-Lift Valve Port "L2" to Front RH		
		Lift Cyl	1	From S/N: GF000423 & GU000302
1042	4224295	Hose-Lift Valve Port "L3" to Ctr Unit		

HYDRAULIC CIRCUIT

ITEM	PART NO.	DESCRIPTION	QTY.	
1043	4224296	Blkhd Hose-Centre Lift Cyl Blkhd to Centre Lift Cyl	1 1	
1047	4224297	Hose-Steering Blkhd LH and RH to Steering Cyl	2	
1049	4224298	Hose-Oil Cooler to Drain Manifold	1	
1050	4224299	Hose-Drain Manifold Tee to Oil Tank	1	
1051	4224300	Hose-Oil Tank to Cutter Pump Suction	1	
1052	4224301	Hose-Front RH Motor Lower Port to Transmission Valve Port "RF"	1	To S/N GF000568 & GU000304
1053	4224302	Hose-Cutter Valve Tee	1	
1054	4137212	Hose-Trans Pump 'A' to Flush Valve Lower 'T'		To S/N GF000568 & GU000304
1055	4163596	Hose-Breather Engine to Tank	1	
1056	4216740	Nylon Sleeve, 2m Long	1	
1057	4132119	Hose-Lower Radiator	1	
1058	4157740	Hose-Expansion Tank	1	
1059	4160362	Top Hose-Radiator	1	
1060	4163591	Hose-Radiator to Header Tank	1	
1061	4169140	Hose-Air Intake	1	
1062	4181280	Hose-Engine Air Intake, Upper	1	
1063	4181281	Hose-Engine Air Intake, Lower	1	
1064	158006-01	FITTING-ORS/ORB	2	1xFront LH and 1xFront RH Cutter Ram (To S/N: GF000423 & GU000302)
1064	158007-01	Fitting-90 ORS/ORB	2	1xFront LH and 1xFront RH Cutter Ram (From S/N: GF000423 & GU000302)

HYDRAULIC FRONT BULKHEAD FROM GF000626 GU000305

Illustration Number: 4217840



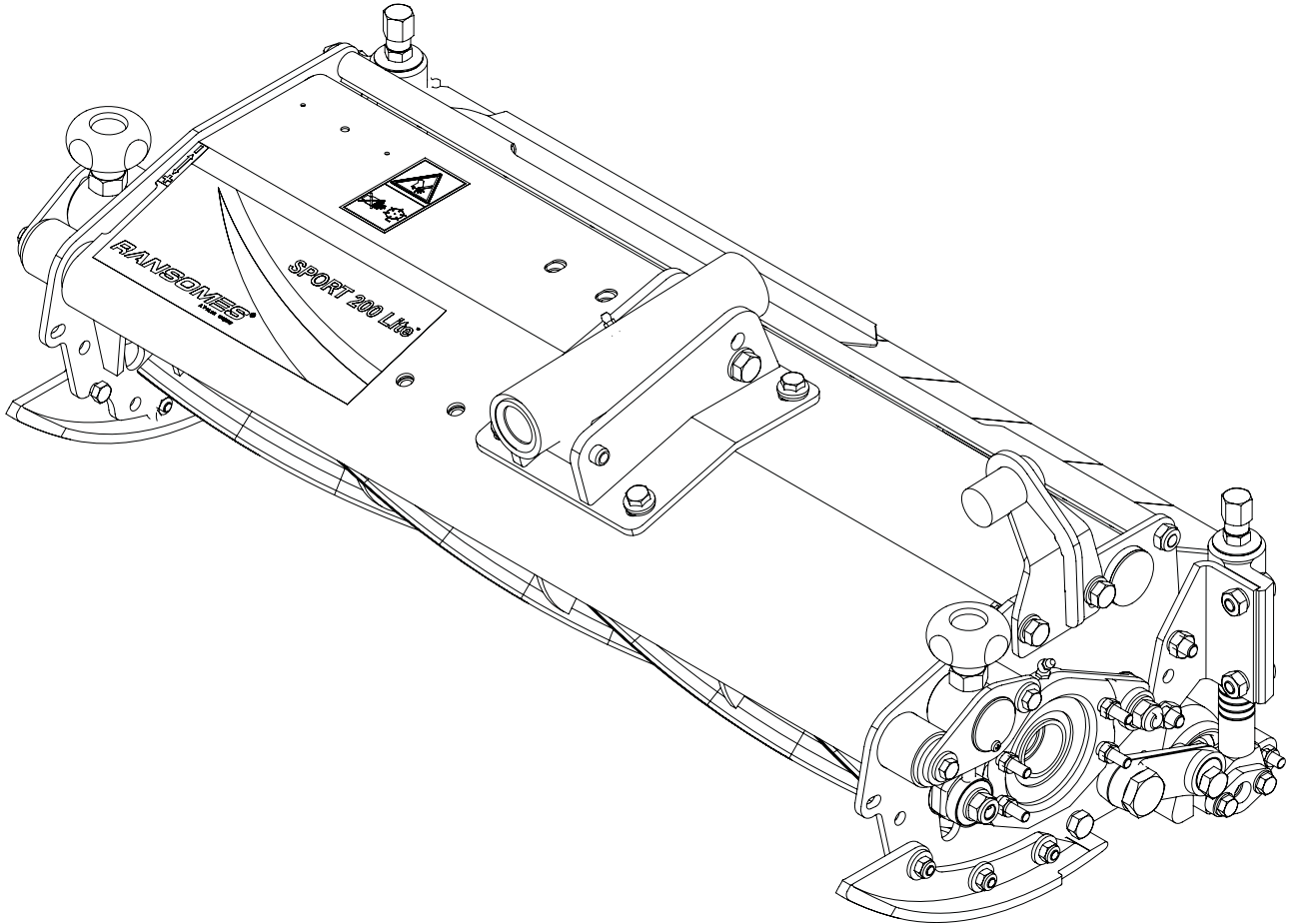
NOTE
ASSEMBLE SO THAT BULKHEAD IS HORIZONTAL

HYDRAULIC FRONT BULKHEAD FROM GF000626 GU000305

ITEM	PART NO.	DESCRIPTION	QTY.	
1	4136396	Tee-m/m/blkhd 11/16 Ors	1	
2	4224284	Hose Assy	1	Cyl Motor Lh Drain To Bulkhd Tee
3	4224285	Hose Assy	1	Cyl Motor Rh Drain To Bulkhd Tee
4	4253350	Bulkhd-1/2" Easyfit	4	
5	4254135	Hose Assy	2	Cutter Valve (B2)(B3) To Frt Bulkhd
6	4254417	Hose Assy	2	Cutter Valve (A2)(A3) To Frt Bulkhd
7	4261890	Star Ring Size-12	4	
8	4281354	Hose Assy	1	Cyl Motor Frt To Frt Bulkhd (A2)
9	4281355	Hose Assy	1	Cyl Motor Frt To Frt Bulkhd (A3)
10	4281356	Hose Assy	1	Cyl Motor Rear To Frt Bulkhd (B2)
11	4281357	Hose Assy	1	Cyl Motor Rear To Frt Bulkhd (B3)
12	4289591	Bracket Front Bulkhead	1	
13	4290851	Hose Assy	1	Frt Bulkhd To Drain Manifold
14	450014	Bolt-hex M8-1.25 X 30, Gr 8.8	3	
15	450378	Nut-hex M8-1.25, Gr 8, Nyloc	3	
16	450390	Wshr-m8 X 17 X 1.8	6	

SPORT 200 - CUTTING CYLINDERS AND BOTTOM BLOCK ASSEMBLIES

Illustration Number: LMAC348-R



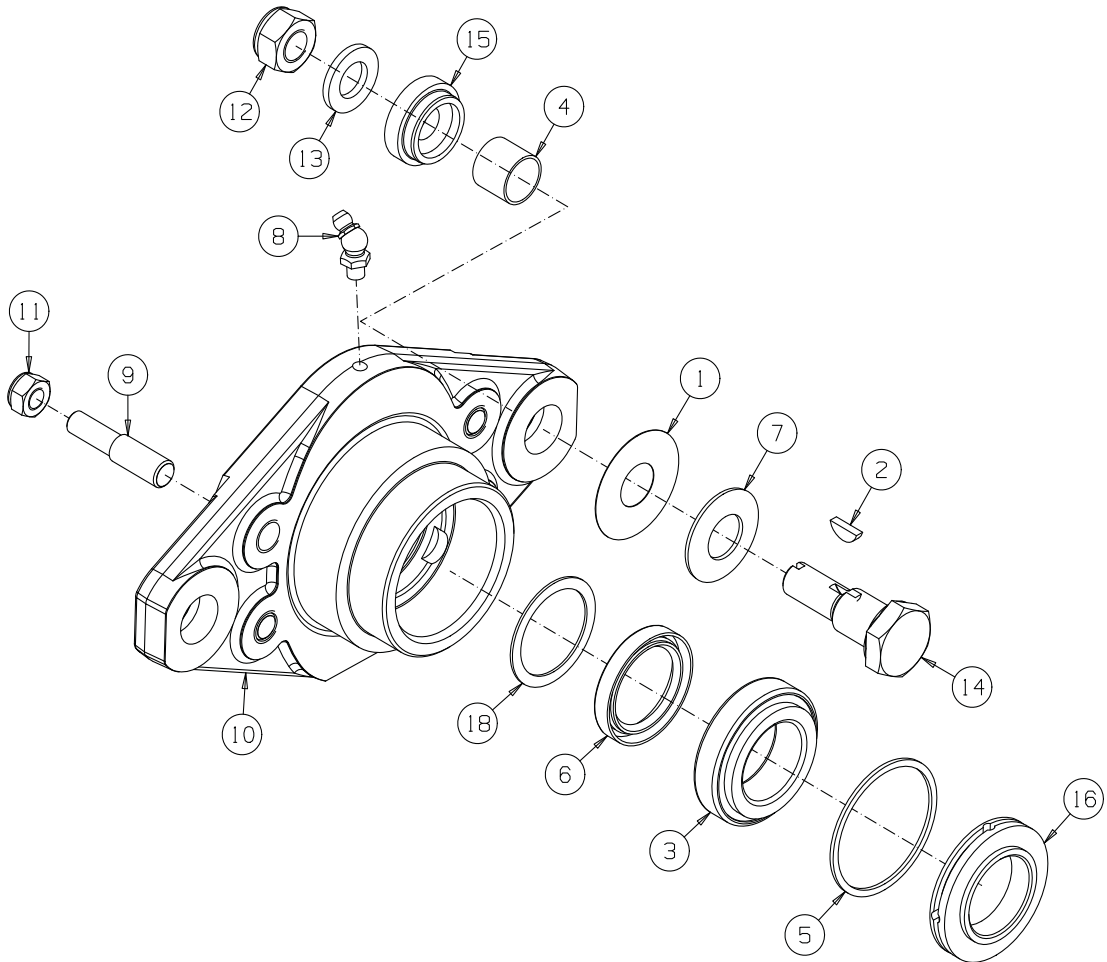
SPORT 200 - CUTTING CYLINDERS AND BOTTOM BLOCK ASSEMBLIES

ITEM	PART NO.	DESCRIPTION	QTY.	
1	4192422	Wldmt-8" x 4K Cutting Cylinder	1	
2	4192423	Wldmt-8" x 6K Cutting Cylinder	1	
3	4192424	Wldmt-8" x 8K Cutting Cylinder	1	
4	MBE1151	Bottom Block with Standard Blade	1	For Fixed Head Units
4*	001190000	• Screw-Csk 3/8-16 x 11/16	7	
4*	MBA7024A	• Bottom Blade (Standard)	1	
5	MBE1527	Bottom Block with Thin Blade	1	For Floating Head Units
5*	001190000	• Screw-Csk 3/8-16 x 11/16	7	
5*	MBA7037A	• Bottom Blade (Thin)	1	
6*	MBB6448	Asm-Height of Cut Bar	1	For Fixed Head Units
6*	MBB4624A	• Bar, Height Adjustment	1	
6*	450558	• Screw-Pan Hd M8 x 50	1	
6*	001822089	• Nut-Wing M8	1	
7*	MBC9010	Asm-Height of Cut Bar	1	For Floating Head Units
7*	MBB4624A	• Bar, Height Adjustment	1	
7*	450558	• Screw-Pan Hd M8 x 50	2	
7*	450324	• Nut-Hex M8	1	
7*	001822089	• Nut-Wing M8	1	

SPORT 200 LITE - BEARING HOUSING (DRIVE SIDE)

Illustration Number: 4196020-2

1

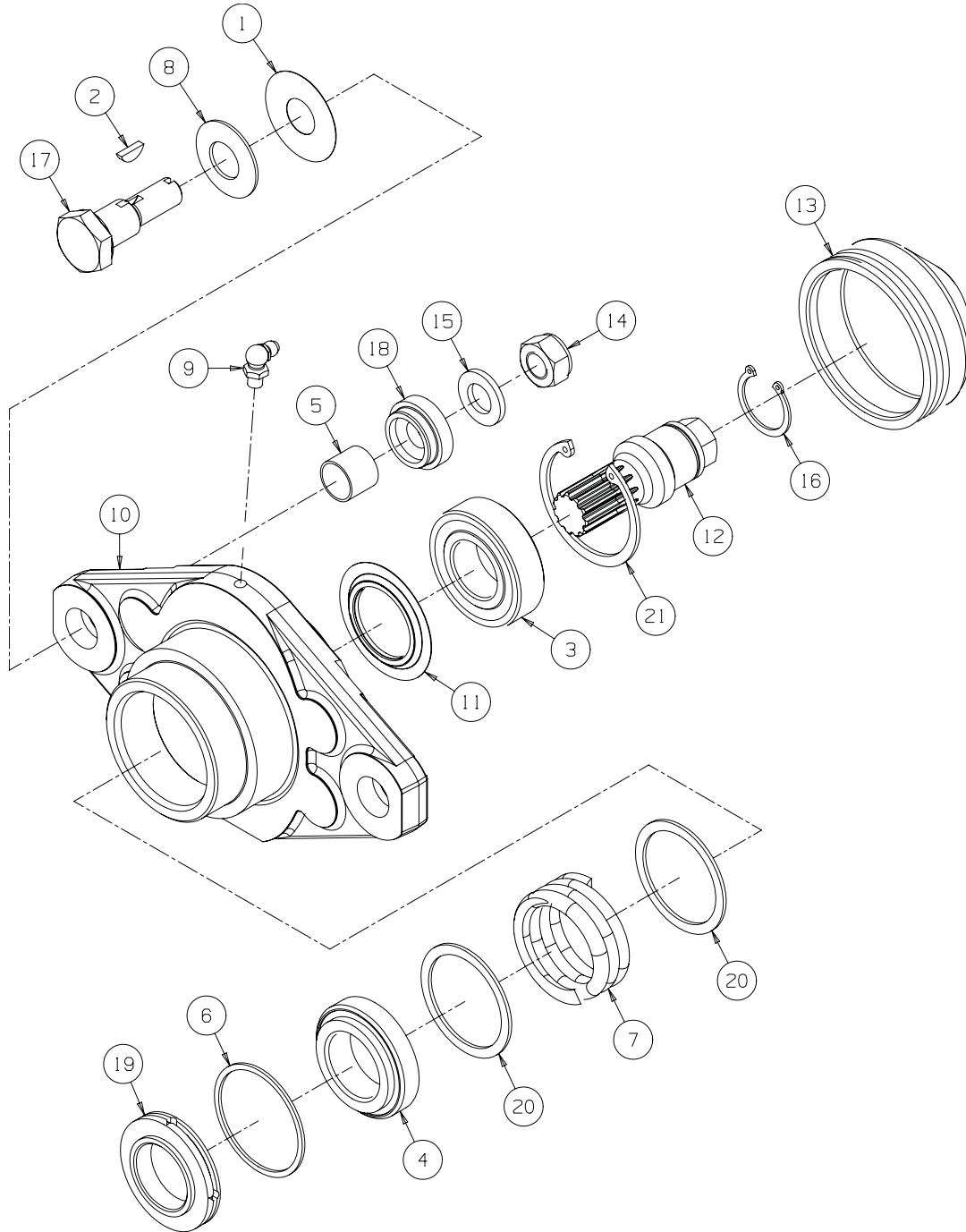


SPORT 200 LITE - BEARING HOUSING (DRIVE SIDE)

ITEM	PART NO.	DESCRIPTION	QTY.	
1	001599913	Washer-16 x 40 x 0.25	1	
2	001634014	Woodruff Key 3 x 5	1	
3	002090440	Bearingg-Taper 1.1417 x 1.98 x .58	1	
4	002193245	Bush-Devol 16 x 18 x 15	1	
5	002300130	Seal Ring	1	
6	002300190	Oil Seal -1.1/8 x 1.5/8 x 1/4	1	
7	002921222	Spring - Disc 16.3 x 34 x 1.5	1	
8	002993063	Lubricator - M6 x 45°	1	
9	2203039	Stud	2	
10	4194300	Bearing Housing (drive side)	1	
11	450378	Nut - Hex M8 Nyloc	2	
12	450380	Nut - Hex M12 Nyloc	1	
13	450392	Washer - M12 x 24 x 2.7	1	
14	MBC8191B	Pivot Pin	1	
15	MBE0359	Collar	1	
16	MBE2231	Ring Carrier	1	
17	001993020	Insert - Helicoil M10 x 1.5D	4	
18	MBE4676	Spacer	1	

SPORT 200 LITE - BEARING HOUSING (NON-DRIVE SIDE)

Illustration Number: 4196021-2

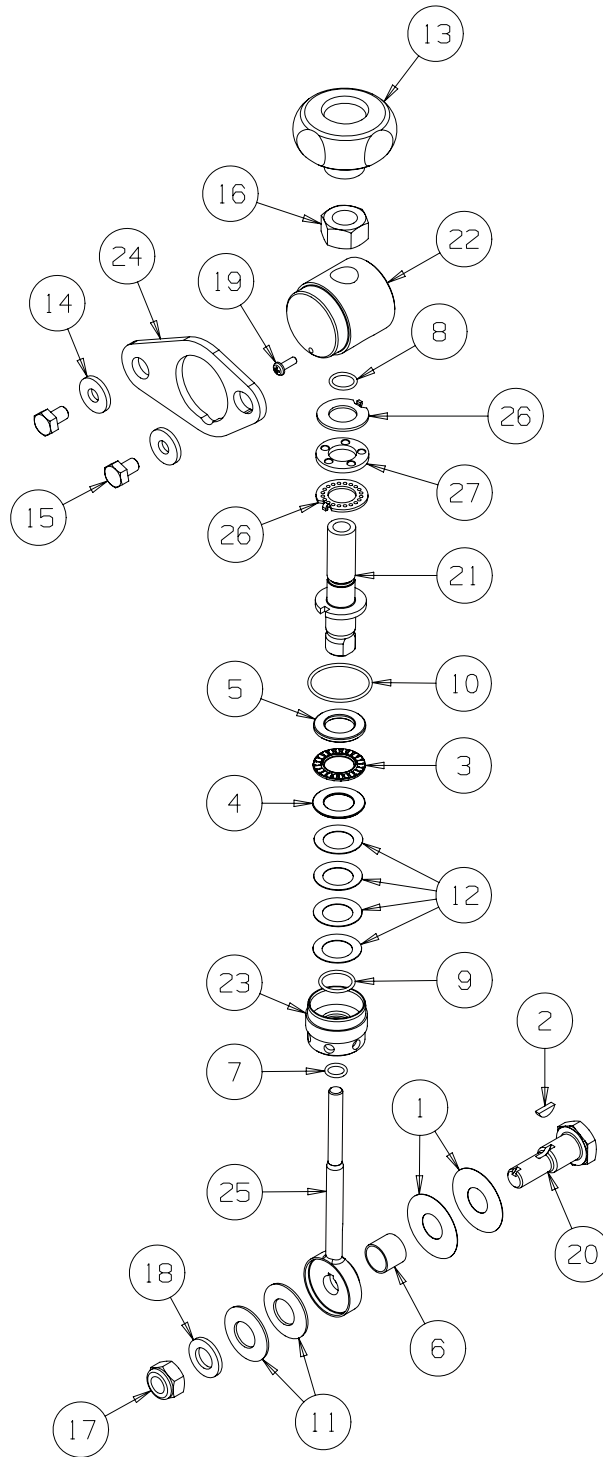


SPORT 200 LITE - BEARING HOUSING (NON-DRIVE SIDE)

ITEM	PART NO.	DESCRIPTION	QTY.	
1	001599913	Washer -16 x 40 x 0.25	1	
2	001634014	Woodruff Key 3 x 5	1	
3	002036057	Bearing-Ball 25 x 52 x 15	1	
4	002090440	Bearing-Taper 1.1417 x 1.98 x .58	1	
5	002193245	Bush-Devol 16 x 18 x 15	1	
6	002300130	Seal Ring	1	
7	002911320	Compression Spring	1	
8	002921222	Spring-Disc 16.3 x 34 x 1.5	1	
9	002993160	Lubricator-M6 x 90°	1	
10	4194301	Bearing Housing (non-drive side)	1	
11	4194780	Nilos Ring	1	
12	4194781	Shaft-Cylinder Drive	1	
13	4195160	Cover-Bearing Housing	1	
14	450380	Nut -Hex M12 Nyloc	1	
15	450392	Washer -M12 x 24 x 2.7	1	
16	452050	Circlip-Ext 25 x 1.2 T	1	
17	MBC8191B	Pivot Pin	1	
18	MBE0359	Collar	1	
19	MBE2231	Ring Carrier	1	
20	MBG4955	Collar	2	
21	451982	Circlip-Int 52 x 2 T	1	

SPORT 200 LITE - CYLINDER ADJUSTER (HAND)

Illustration Number: 4196022-2



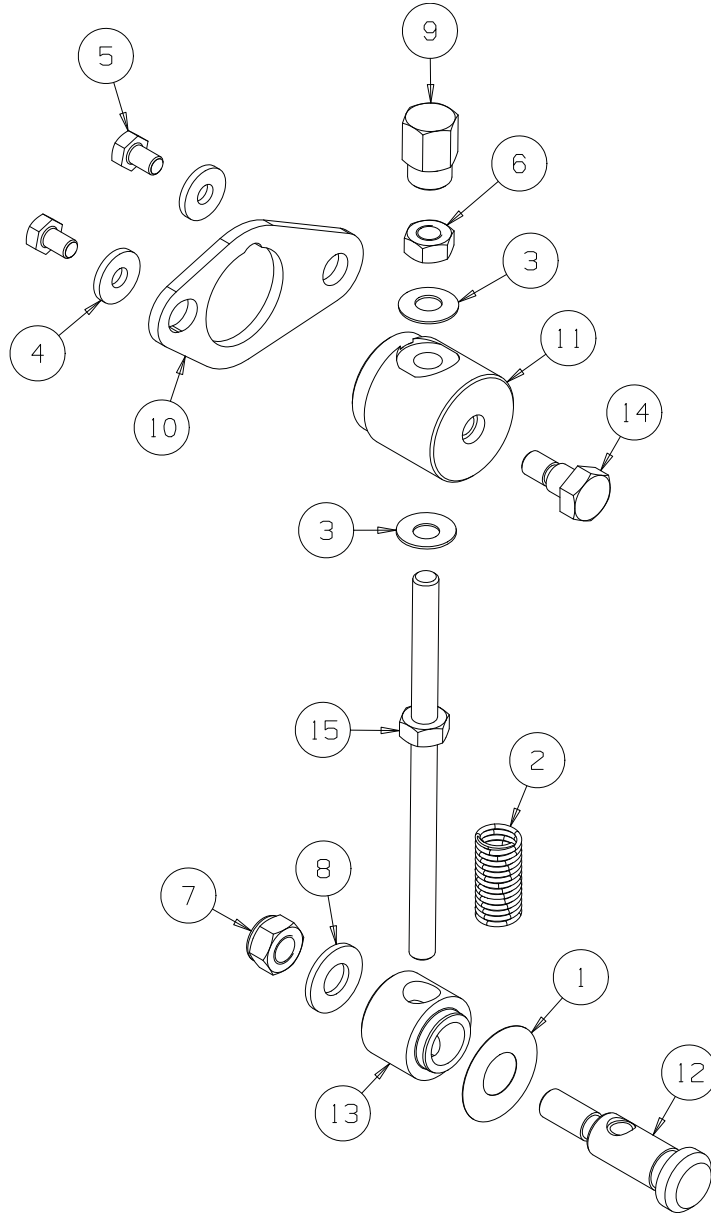
SPORT 200 LITE - CYLINDER ADJUSTER (HAND)

ITEM	PART NO.	DESCRIPTION	QTY.	
1	001599913	Washer-16 x 40 x 0.25	2	
2	001634014	Woodruff Key 3 x 5	1	
3	002075299	Thrust Bearing	1	
4	002075304	Thrust Washer	1	
5	002075312	Thrust Washer	1	
6	002193245	Bush-Devol 16 x 18 x 15	1	
7	002210122	O-ring 9.25 ID x 1.78 Sect	1	
8	002210148	O-ring 12.42 ID x 1.78 Sect	1	
9	002210172	O-ring 17.16 ID x 1.78 Sect	1	
10	002210279	O-ring 33.05 ID x 1.78 Sect	1	
11	002921222	Sprg-Disc 16.3 x 34 x 1.5	2	
12	002922935	Sprg-Disc 17.3 x 27.7 x 0.4	4	
13	4210880	Handwheel-Cyl Adjustment	1	
14	009072070	Washer-M8 x 22 x 3	2	
15	450188	Screw-Hex M8 x 12	2	
16	450327	Nut-Hex M16	1	
17	450380	Nut-Hex M12 Nyloc	1	
18	450392	Washer-M12 x 24 x 2.7	1	
19	450517	Screw-Pan Hd M4 x 12	1	
20	MBC8191B	Pivot Pin	1	
21	MBC9699A	Adjusting Nut	1	
22	MBC9706B	Trunnion	1	
23	MBC9814B	Gland Nut	1	
24	MBC9905A	Plate	1	
25	MBE0271	Adjusting Rod	1	
26	MBE0376	Cam Ring	2	
27	MBE0473A	Ball and Cage Assembly	1	

SPORT 200 LITE - CYLINDER ADJUSTER (SPANNER)

Illustration Number: 4196023-2

1

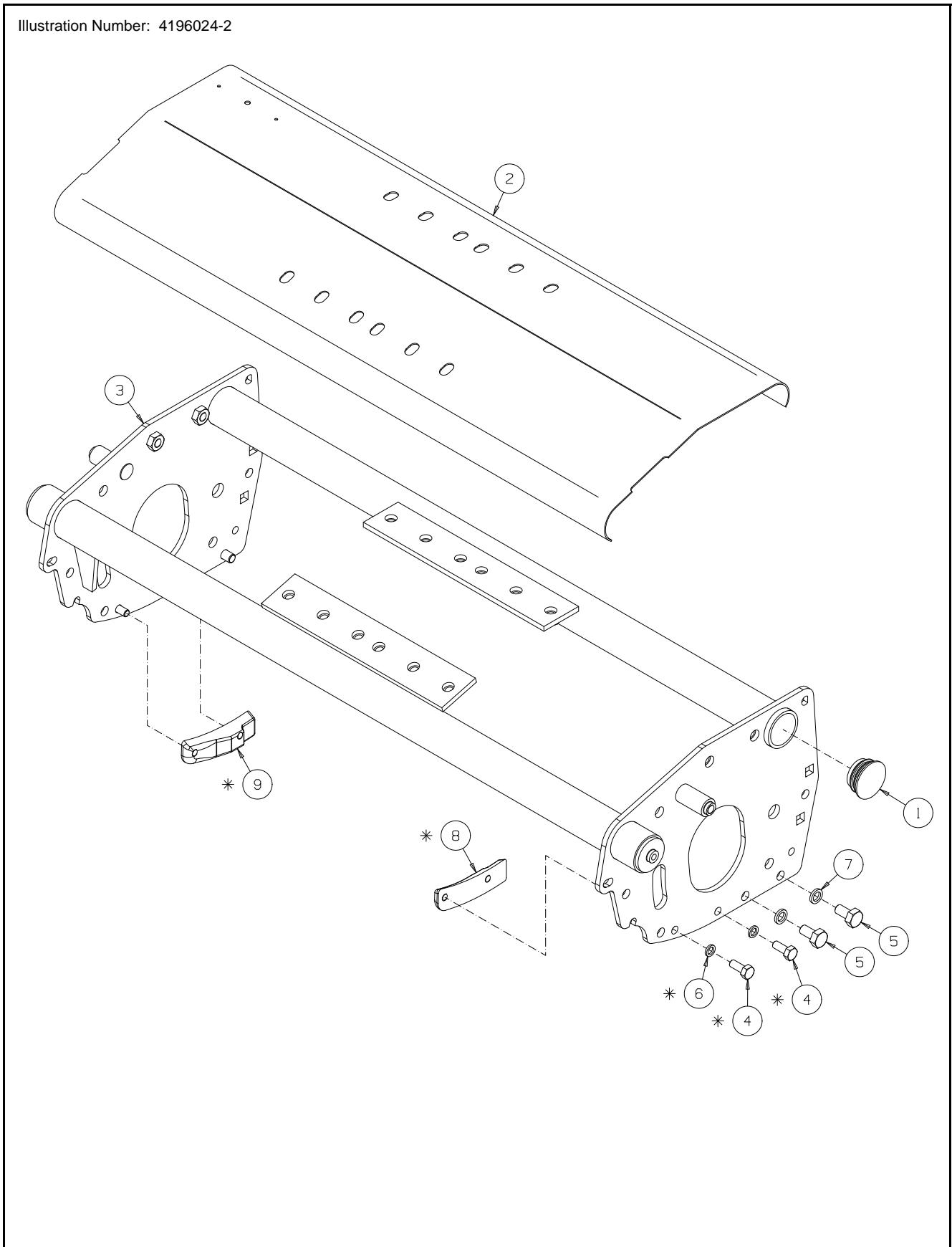


SPORT 200 LITE - CYLINDER ADJUSTER (SPANNER)

ITEM	PART NO.	DESCRIPTION	QTY.	
1	001594210	Washer-18 x 40 x 0.25	1	
2	002910794	Sprg-Comp 15.88 x 1.83 x 63.5	1	
3	002920836	Sprg-Disc 10.2 x 23 x 1	2	
4	009072070	Washer-M8 x 22 x 3	2	
5	450188	Screw-Hex M8 x 12	2	
6	450325	Nut-Hex M10	1	
7	450380	Nut-Hex M12 Nyloc	1	
8	450402	Washer-M12 x 28 x 2.7	1	
9	469023724	Adjuster	1	
10	MBC9905A	Plate	1	
11	MBF1413A	Trunnion	1	
12	MBF1415	Clamp Pivot	1	
13	MBF1418	Clamping Collar	1	
14	MBF1439	Shoulder Bolt	1	
15	MBG4227	Stud-Cyl Adjuster	1	

SPORT 200 LITE - MAINFRAME

Illustration Number: 4196024-2

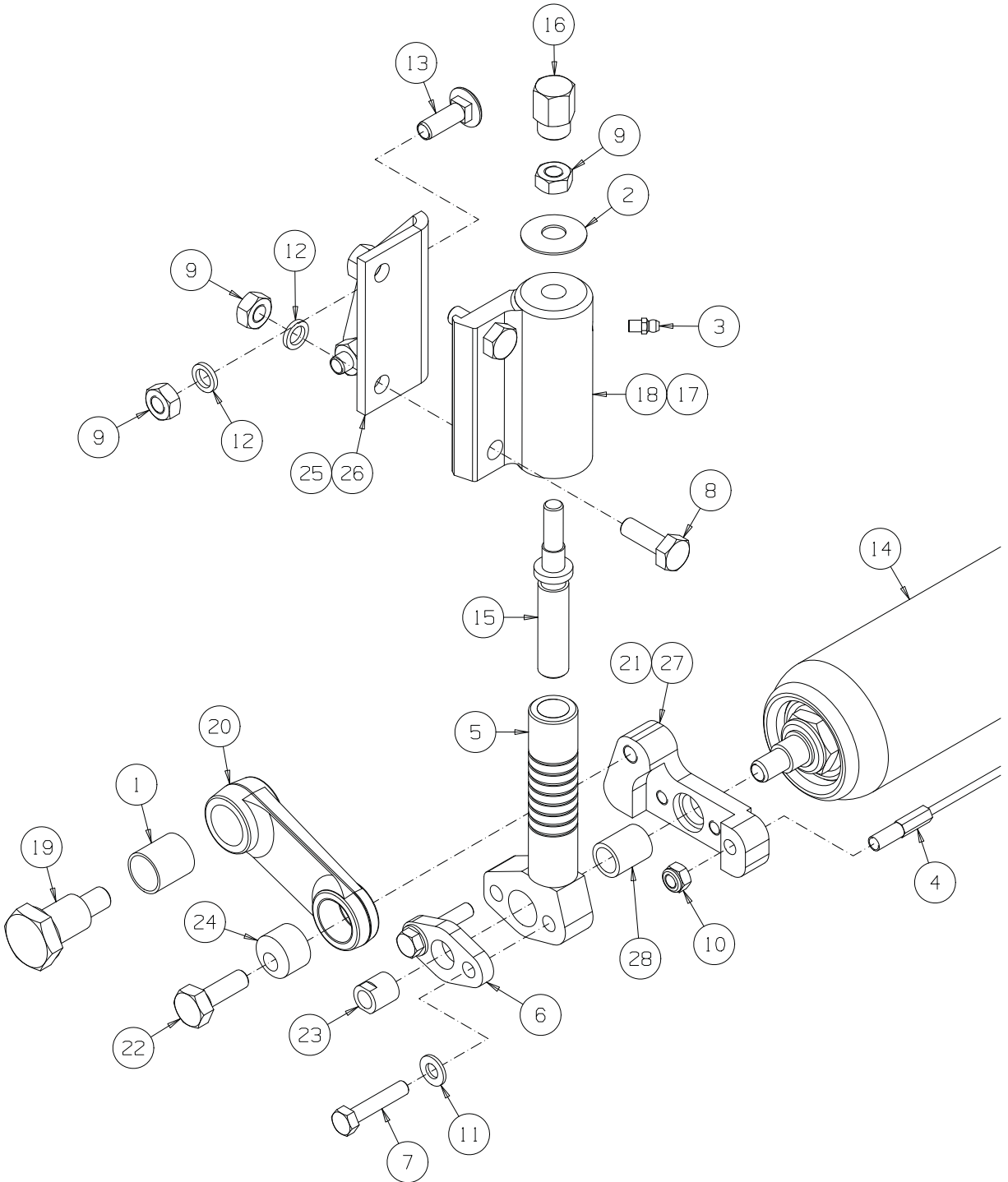


SPORT 200 LITE - MAINFRAME

ITEM	PART NO.	DESCRIPTION	QTY.	
1	002952748	End Plug	2	
2	4194200	Top Cover	1	
3	4195680	Wldmt-Frame	1	
4	450191	Screw-Hex M8 x 20	4	Floating Head Units only
5	450213	Screw-Hex M10 x 20	4	
6	450411	LockWasher-M8 x 12.75 x 2.1	4	Floating Head Units only
7	450412	LockWasher-M10 x 15.9 x 2.65	4	
8	MBE2205	Pad LH	1	Floating Head Units only
9	MBE2206	Pad RH	1	Floating Head Units only

SPORT 200 LITE - REAR ROLL ADJUSTER (SPANNER)

Illustration Number: 4196025-2

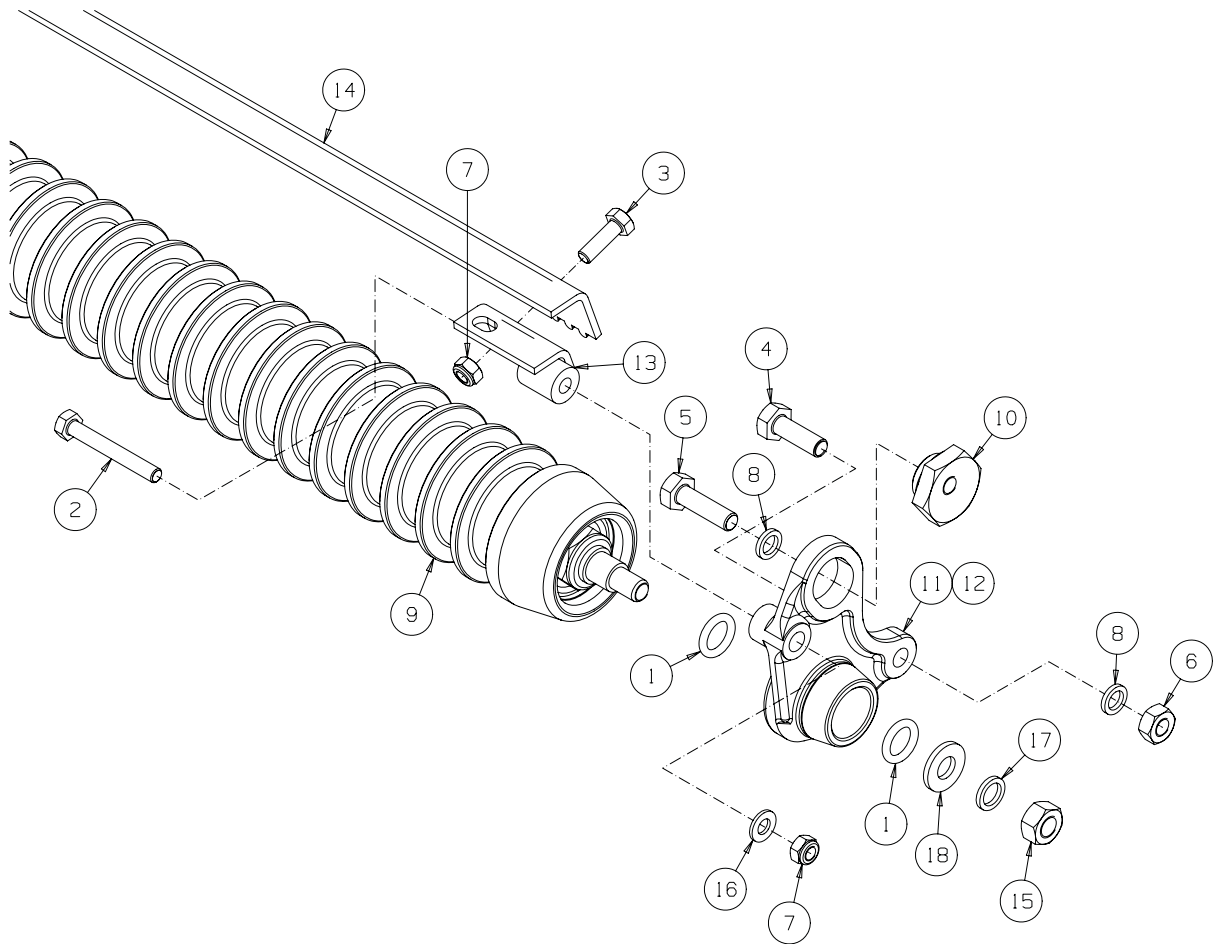


SPORT 200 LITE - REAR ROLL ADJUSTER (SPANNER)

ITEM	PART NO.	DESCRIPTION	QTY.	
1	002193237	Bush-Nylon 23 x 20 x 25	2	
2	002921214	Sprg-Disc 12.3 x 34 x 1.25	2	
3	002993013	Lubricator-M6 Straight	2	
4	009067120	Scraper Wire	1	
5	4119718	Skid Mounting Assembly	2	
6	4119721	Outer Plate	2	
7	450016	Bolt-Hex M8 x 40	4	
8	450215	Screw-Hex M10 x 30	4	
9	450325	Nut-Hex M10	10	
10	450378	Nut-Hex M8 Nyloc	2	
11	450390	Washer-M8 x 17 x 1.8	4	
12	450412	LockWasher-M10 x 15.9 x 2.65	8	
13	452586	Bolt-Crg M10 x 30	4	
14	LMAC074A	Roller-76 x 784 Plain	1	
15	MBB2579A	Screw	2	
16	469023724	Adjuster	2	
17	MBB6817	Outer Sleeve LH	1	
18	MBB6818	Outer Sleeve RH	1	
19	MBC8156A	Pin	2	
20	MBC9333C	Lever	2	
21	4119719	Support Plate RH	1	
22	MBF1421	Clamp Bolt-Eccentric	2	
23	MBF1693	Rear Roll Sleeve	2	
24	MBG2168A	Eccentric Bush	2	
25	MBG3969A	Brkt-Rear Roll LH	1	
26	MBG3970A	Brkt-Rear Roll RH	1	
27	4119720	Support Plate LH	1	
28	649004633	Bush	2	

SPORT 200 LITE - FRONT ROLL MOUNTING

Illustration Number: 4196026-2

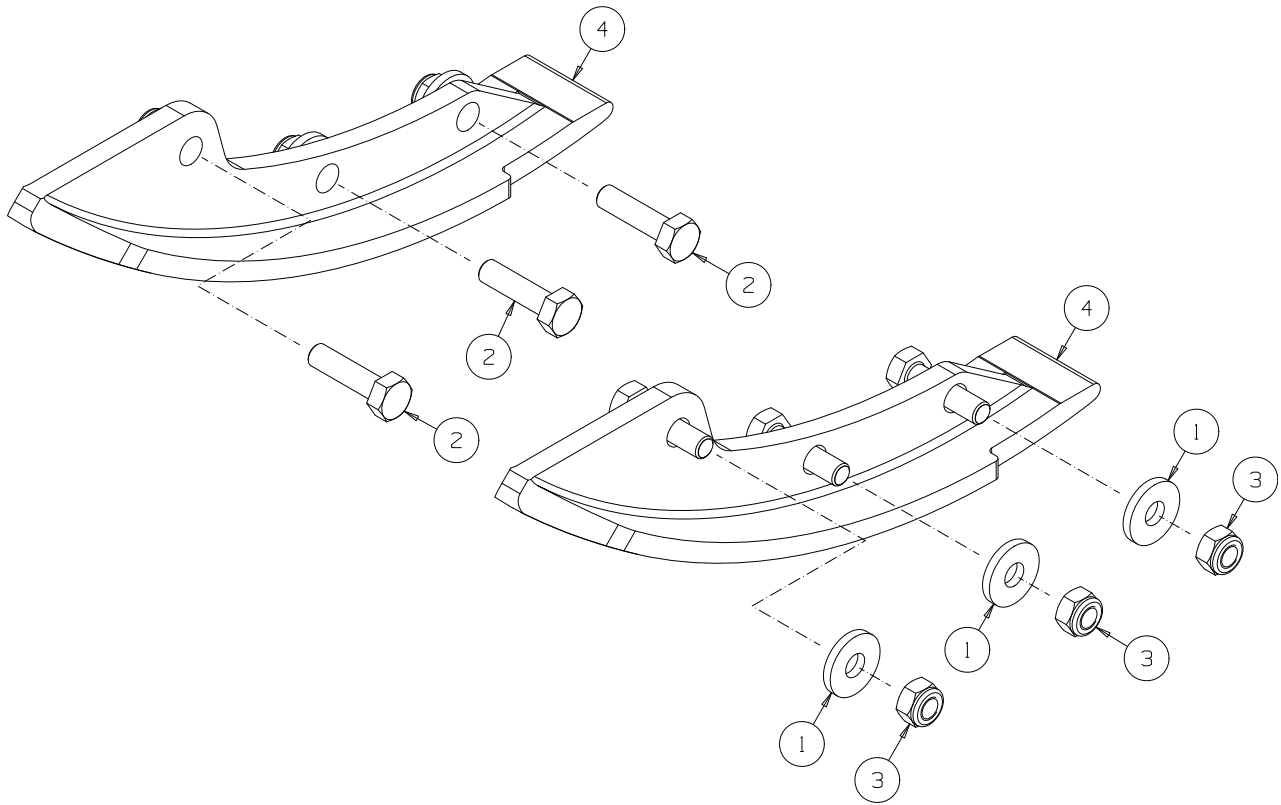


SPORT 200 LITE - FRONT ROLL MOUNTING

ITEM	PART NO.	DESCRIPTION	QTY.	
1	002219100	O-ring 16 ID x 4 Sect	4	
2	450020	Bolt-Hex M8 x 60	2	
3	450192	Screw-Hex M8 x 25	2	
4	450215	Screw-Hex M10 x 30	3	
5	450216	Screw-Hex M10 x 35	1	
6	450325	Nut-Hex M10	3	
7	450378	Nut-Hex M8 Nyloc	4	
8	450412	LockWasher-M10 x 15.9 x 2.65	4	
9	LMAC072A	Roller-74.7 x 775 Grooved	1	
10	MBC8317A	Eccentric Nut	1	
11	MBE1413B	Support LH	1	
12	MBE1414B	Support RH	1	
13	MBF0034	Pivot Wldmt	2	
14	4213460	Scraper	1	
15	450326	Nut-Hex M12	2	
16	450390	Washer-M8 x 17 x 1.8	2	
17	450413	LockWasher-M12 x 17.9 x 2.65	2	
18	MBE1372	Washer-12.5 x 26.5 x 3	2	

SPORT 200 LITE - SKID MOUNTING (FIXED HEAD UNITS)

Illustration Number: 4196027

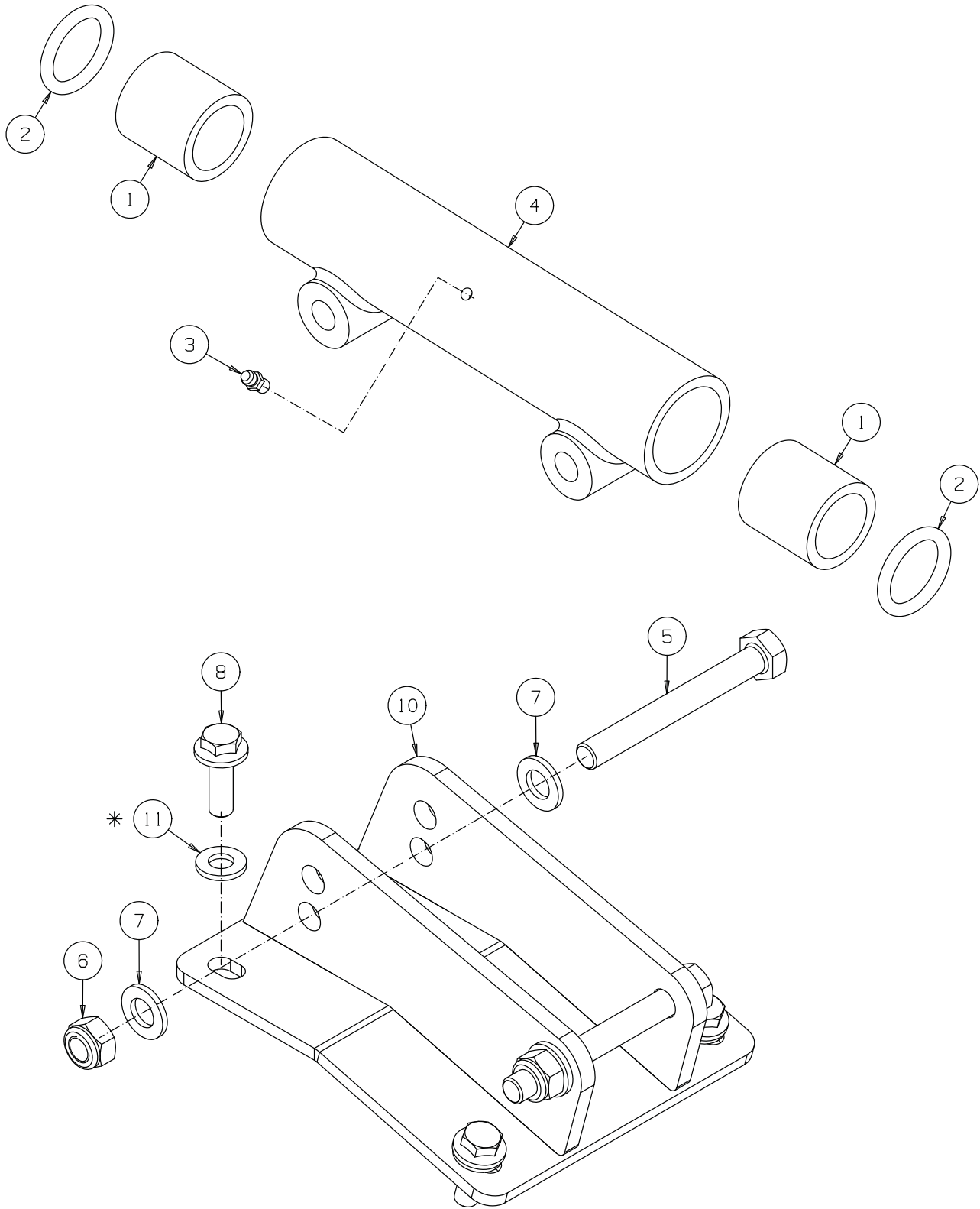


SPORT 200 LITE - SKID MOUNTING (FIXED HEAD UNITS)

ITEM	PART NO.	DESCRIPTION	QTY.	
1	009072070	Washer-M8 x 22 x 3	6	
2	450014	Bolt-Hex M8 x 30	6	
3	450378	Nut-Hex M6 Nyloc	6	
4	MBC8985	Skid	2	

SPORT 200 LITE - FIXED HEAD MOUNTING

Illustration Number: 4196028-2

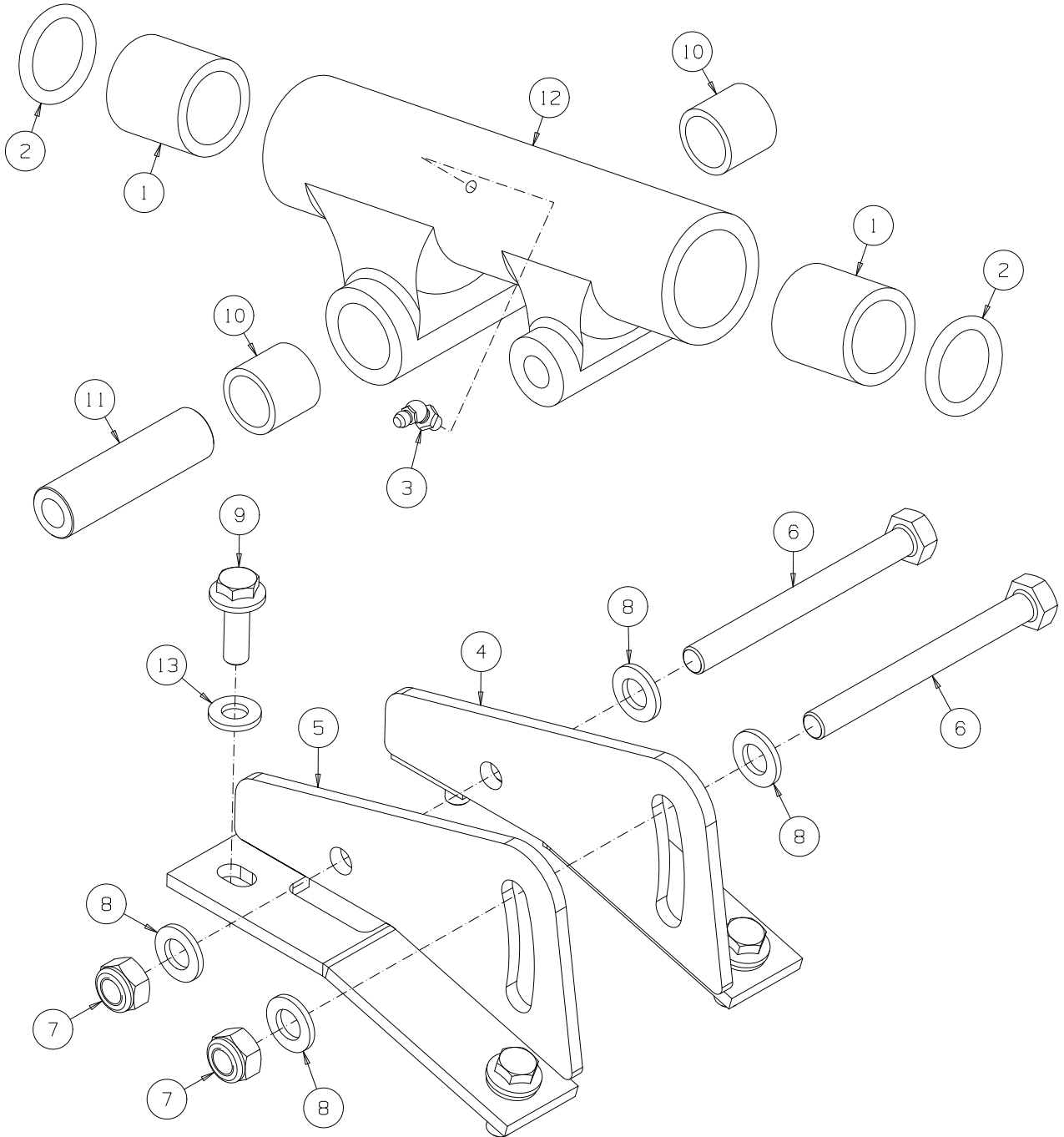


SPORT 200 LITE - FIXED HEAD MOUNTING

ITEM	PART NO.	DESCRIPTION	QTY.	
1	002193318	Bush-Nylon 40 x 30 x 40	2	
2	002213219	O-ring 30 x 40 x 5.34	2	
3	002993013	Lubricator-M6 Straight	1	
4	4135009	Pivot Bearing	1	
5	450059	Bolt-Hex M12 x 100	2	
6	450380	Nut-Hex M12 Nyloc	2	
7	450392	Washer-M12 x 24 x 2.7	4	
8	4224900	Screw-M10 x 30, Hex Flange	4	
10	MBF1852	Asm-Pivot Bracket	1	
11	4224901	AV Washer-10.7 x 21 x 2.5	4	

SPORT 200 LITE - FLOATING HEAD MOUNTING

Illustration Number: 4196029-2

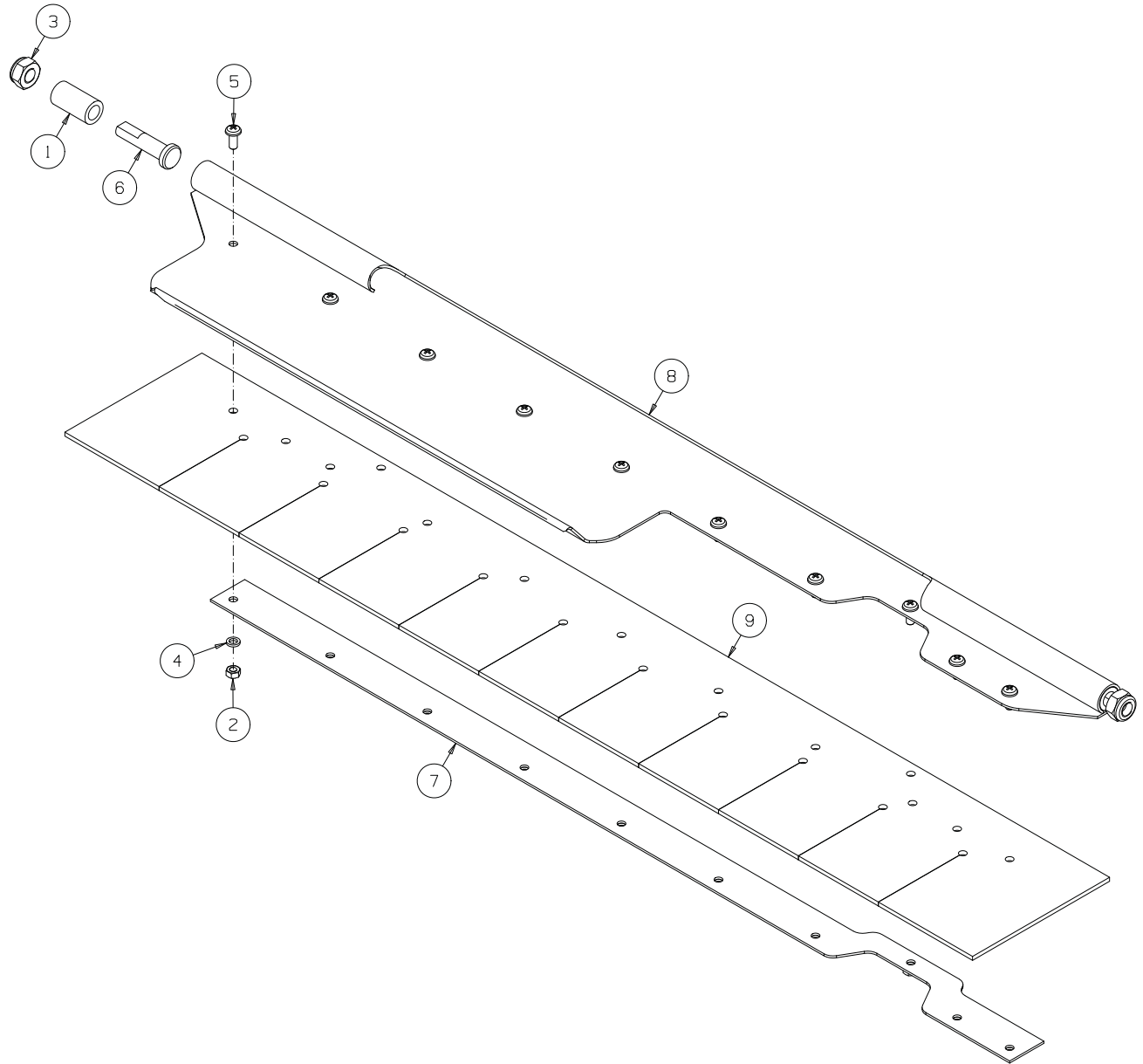


SPORT 200 LITE - FLOATING HEAD MOUNTING

ITEM	PART NO.	DESCRIPTION	QTY.	
1	002193318	Bush-Nylon 40 x 30 x 40	2	
2	002213219	O-ring 30 x 40 x 5.34	2	
3	002993063	Lubricator-M6 x 45°	1	
4	4197421	Wldmt-Pivot Bracket LH	1	
5	4197422	Wldmt-Pivot Bracket RH	1	
6	450061	Bolt-Hex M12 x 120	2	
7	450380	Nut-Hex M12 Nyloc	2	
8	450392	Washer-M12 x 24 x 2.7	4	
9	4224900	Screw-M10 x 30, Hex Flange	4	
10	590001544	Bush-Oilite 7/8 x 1.1/8 x 1	2	
11	MBC8417	Pivot Tube	1	
12	MBE0022	Pivot Bearing	1	
13	4224901	AV Washer-10.7 x 21 x 2.5	4	

SPORT 200 LITE - DEFLECTOR LH

Illustration Number: 4196030-2

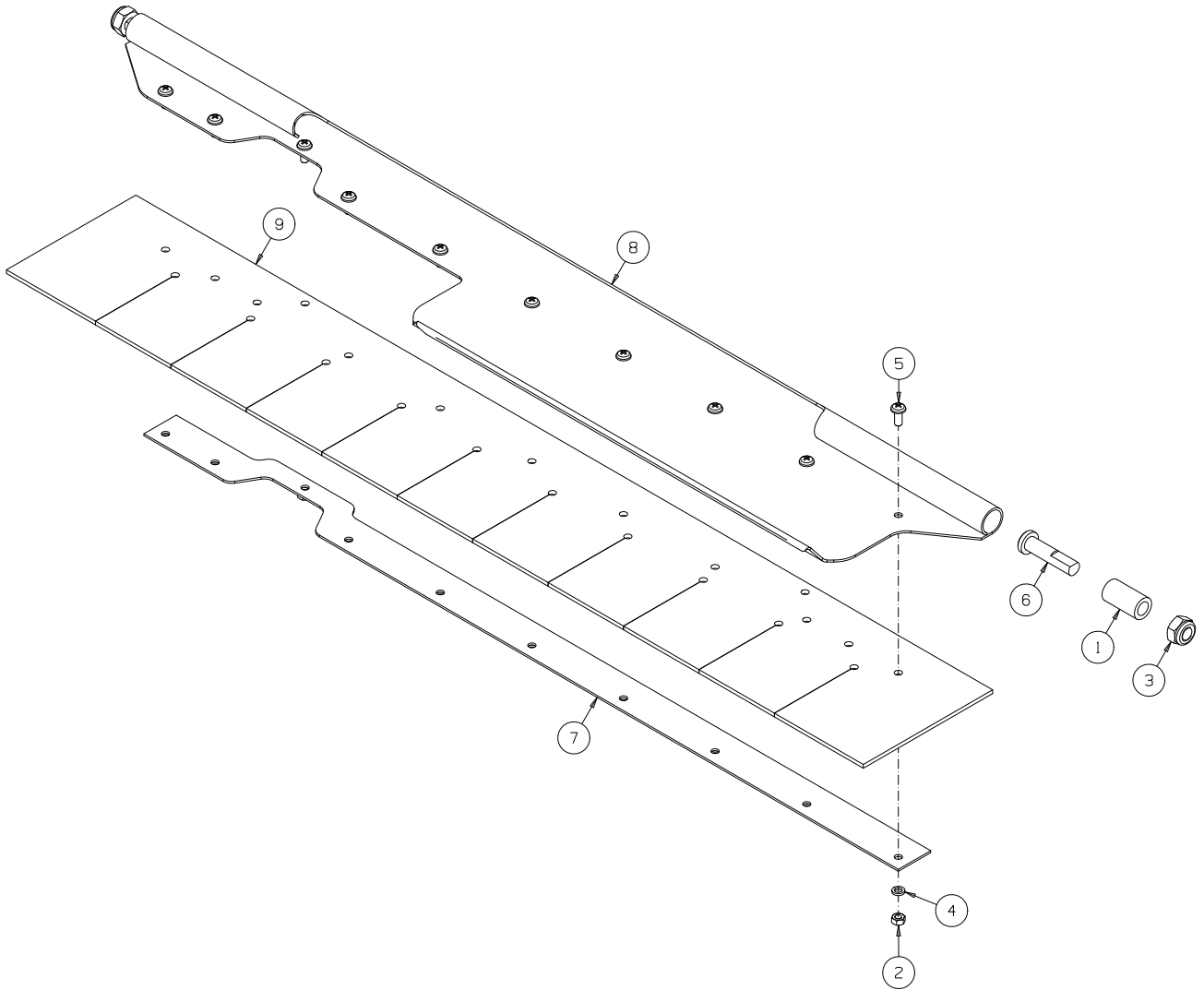


SPORT 200 LITE - DEFLECTOR LH

ITEM	PART NO.	DESCRIPTION	QTY.	
1	002983832	Spacer	2	
2	450322	Nut-Hex M5	10	
3	450379	Nut-Hex M10 Nyloc	2	
4	450409	LockWasher-M5 x 8.55 x 1.6	10	
5	450526	Screw-Pan Hd M5 x 12	10	
6	MBC8956A	Bolt	2	
7	4224400	Deflector Strip	1	
8	MBG2029A	Deflector LH	1	
9	MBG5231	Flap-Deflector	1	

SPORT 200 LITE - DEFLECTOR RH

Illustration Number: 4196031-2

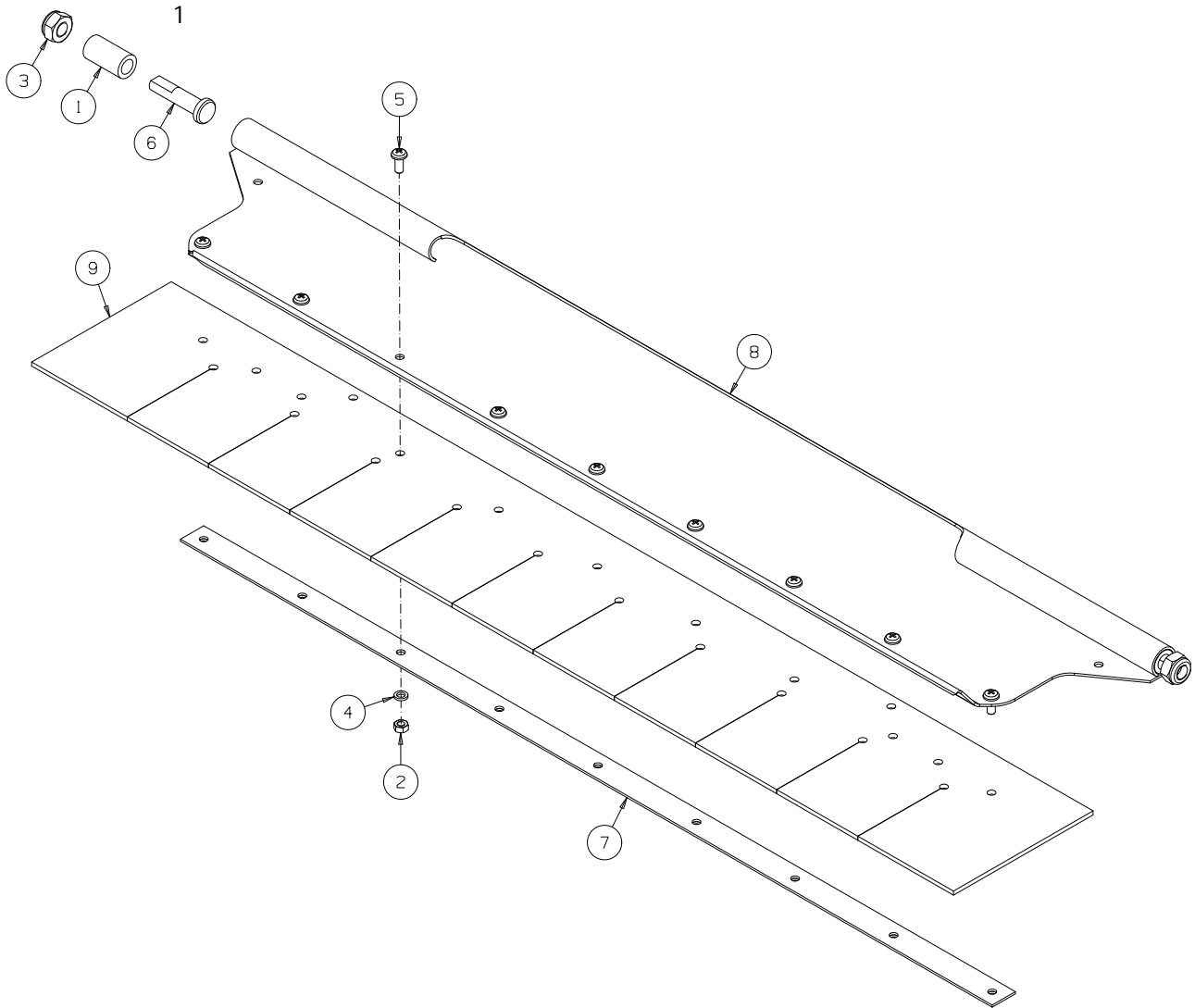


SPORT 200 LITE - DEFLECTOR RH

ITEM	PART NO.	DESCRIPTION	QTY.	
1	002983832	Spacer	2	
2	450322	Nut-Hex M5	10	
3	450379	Nut-Hex M10 Nyloc	2	
4	450409	LockWasher-M5 x 8.55 x 1.6	10	
5	450526	Screw-Pan Hd M5 x 12	10	
6	MBC8956A	Bolt	2	
7	4224400	Deflector Strip	1	
8	MBG2028A	Deflector RH	1	
9	MBG5231	Flap-Deflector	1	

SPORT 200 LITE - CENTRE DEFLECTOR

Illustration Number: 4196032-2

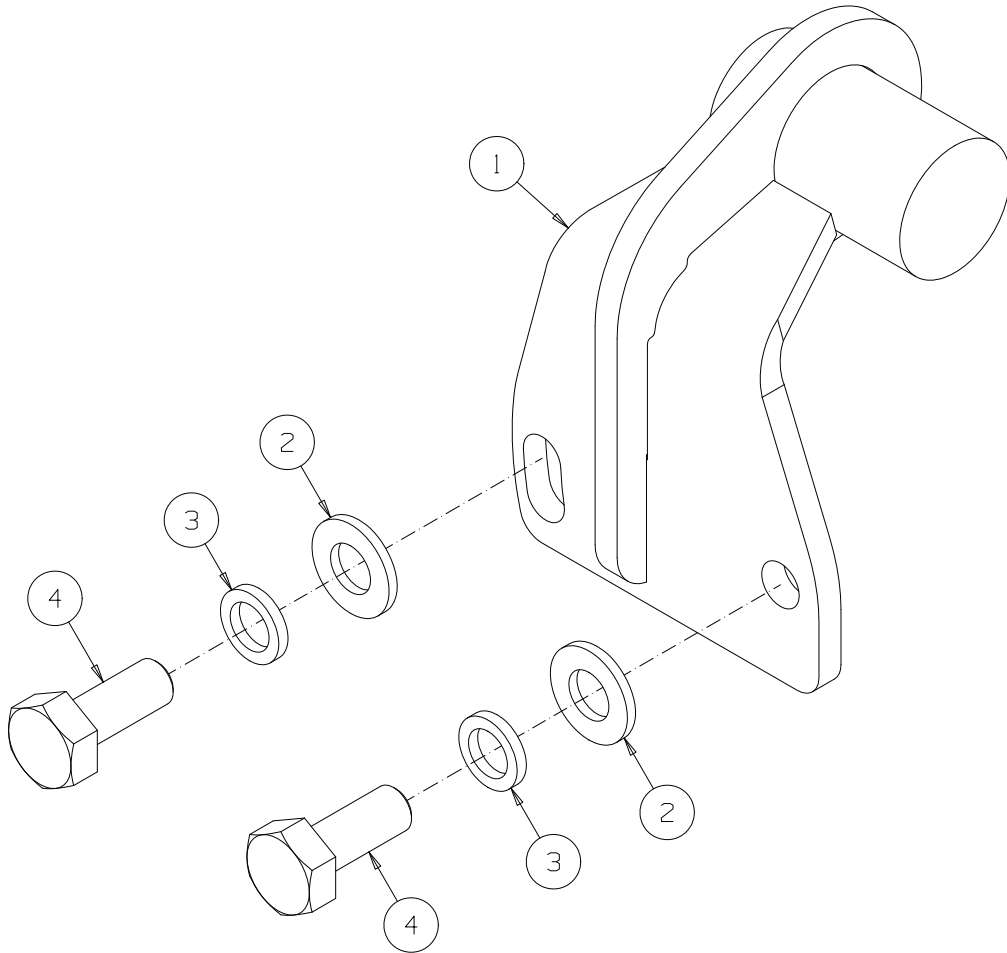


SPORT 200 LITE - CENTRE DEFLECTOR

ITEM	PART NO.	DESCRIPTION	QTY.	
1	002983832	Spacer	2	
2	450322	Nut-Hex M5	9	
3	450379	Nut-Hex M10 Nyloc	2	
4	450409	LockWasher-M5 x 8.55 x 1.6	9	
5	450526	Screw-Pan Hd M5 x 12	9	
6	MBC8956A	Bolt	2	
7	MBE4613	Deflector Strip	1	
8	MBE4612	Deflector	1	
9	MBG5231	Flap-Deflector	1	

SPORT 200 LITE - LH CUTTING UNIT PIN

Illustration Number: 4196033

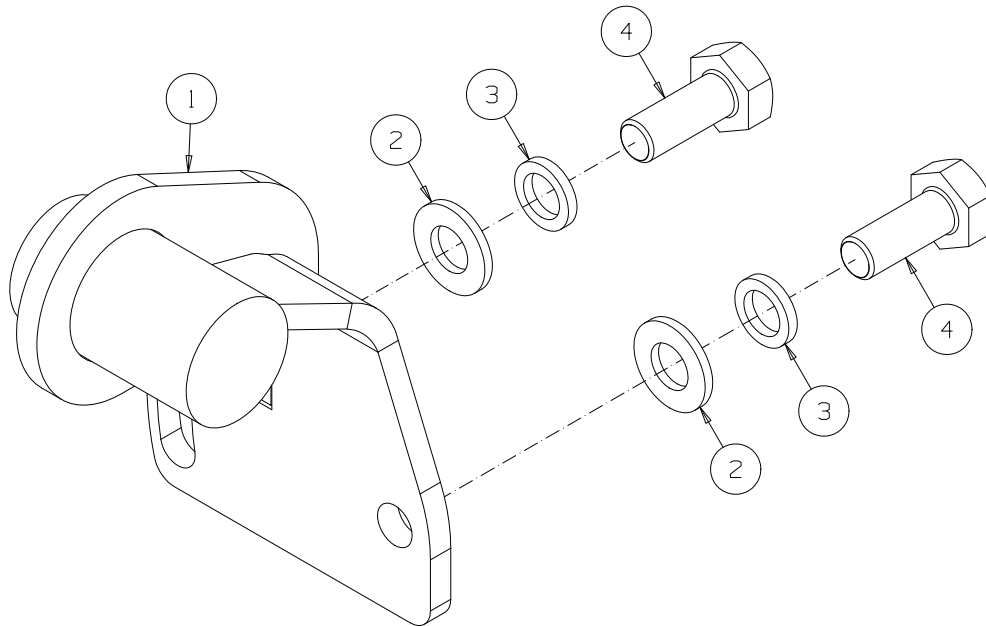


SPORT 200 LITE - LH CUTTING UNIT PIN

ITEM	PART NO.	DESCRIPTION	QTY.	
1	4214401	Wldmt-Cutting Unit Pin, LH	1	
2	450391	Washer-M10 x 21 x 2.2	2	
3	450412	LockWasher-M10 x 15.9 x 2.65	2	
4	450214	Screw-Hex M10 x 25	2	

SPORT 200 LITE - RH CUTTING UNIT PIN

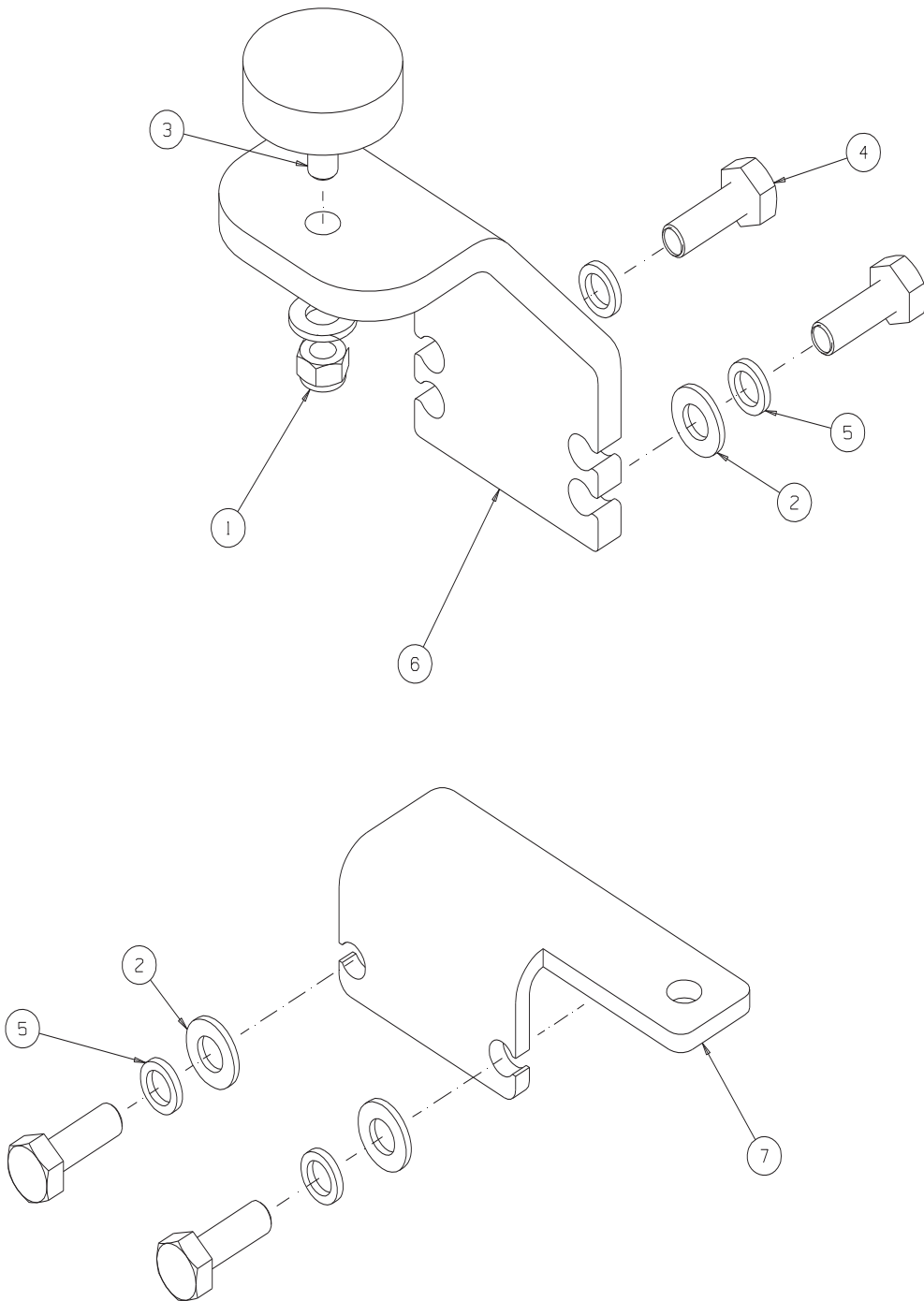
Illustration Number: 4196034



SPORT 200 LITE - RH CUTTING UNIT PIN

ITEM	PART NO.	DESCRIPTION	QTY.	
1	4214404	Wldmt-Cutting Unit Pin, RH	1	
2	450391	Washer-M10 x 21 x 2.2	2	
3	450412	LockWasher-M10 x 15.9 x 2.65	2	
4	450214	Screw-Hex M10 x 25	2	

Illustration Number: 4196035



SPORT 200 LITE - CENTRE UNIT STOPS

ITEM	PART NO.	DESCRIPTION	QTY.	
1	450120398	Nut-hex 3/8-16, Nyloc Thin	1	
2	450391	Washer - M10 X 21 X 2.2	5	
3	J361723	Bumper Stop	1	
4	450215	Screw - Hex M10-1.5 X 30	4	
5	450412	Lockwasher - M10 X 15.9 X 2.5	4	
6	4136387	Buffer Bracket	1	
7	4232900	Unit Bumpstop	1	
8	4196035	Group - Stops, Centre Unit	1	

SPORT 200 LITE - DECALS

Illustration Number: 4221860-1



1A



1B



2



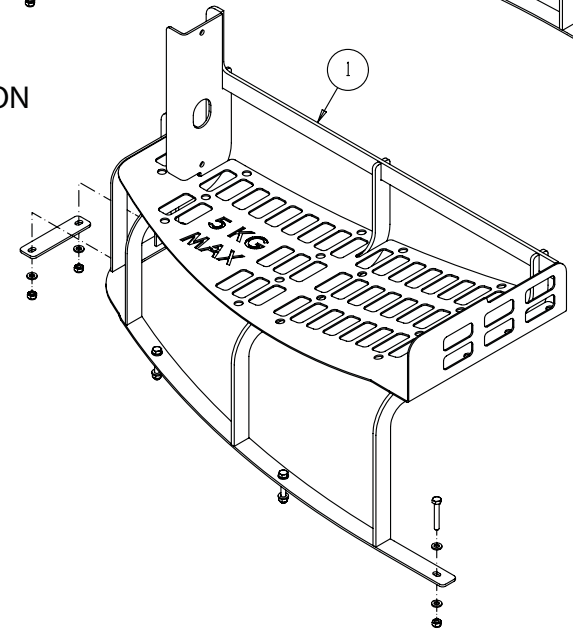
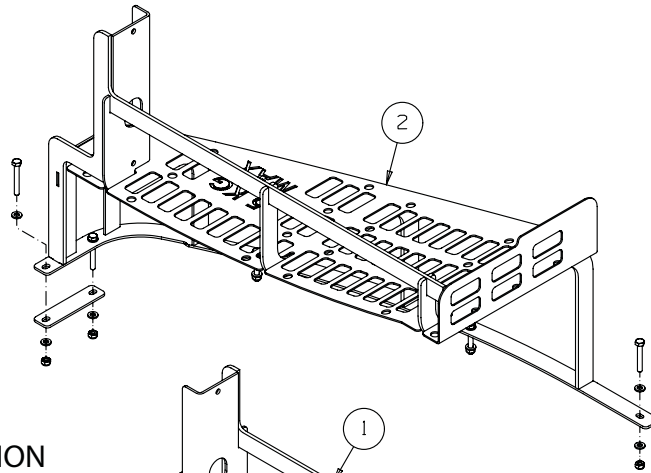
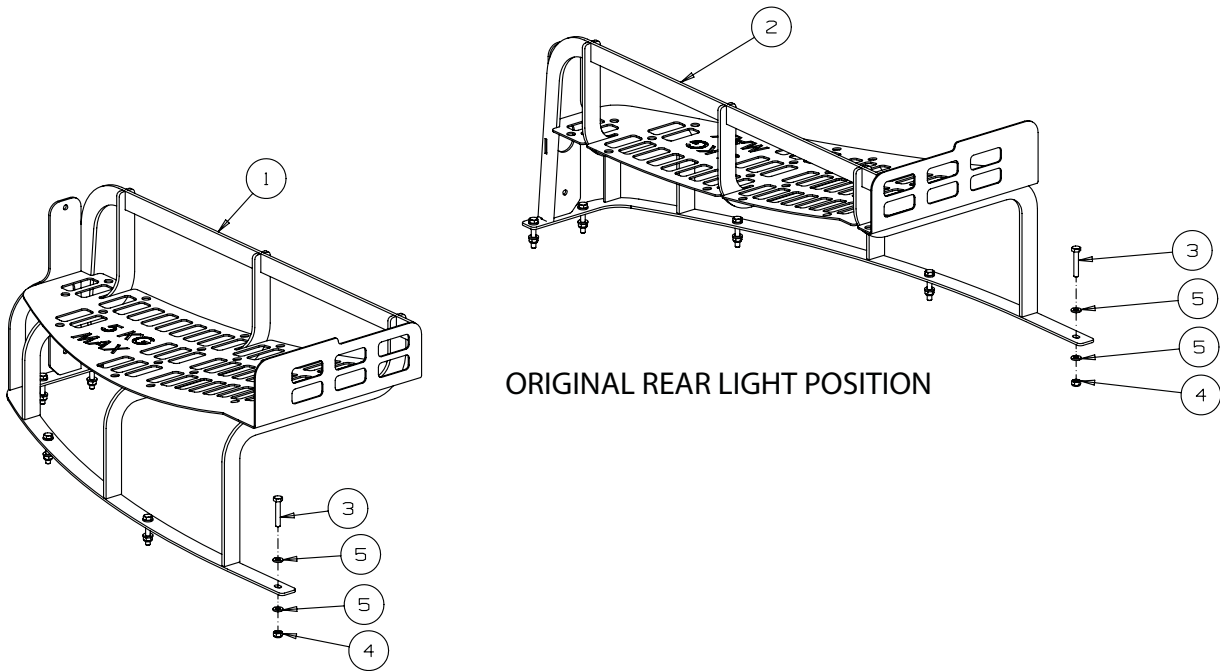
3

SPORT 200 LITE - DECALS

ITEM	PART NO.	DESCRIPTION	QTY.	
1A	4217120	Decal - Ransomes Sport 200 Lite	1	For RH Drive Unit
1B	4217121	Decal - Ransomes Sport 200 Lite	1	For LH Drive Unit
2	009034680	Decal + / -	2	
3	009034940	Decal - Caution rotating blades	1	

LMAC465 KIT - STORAGE RACKS

Illustration Number: LMAC391

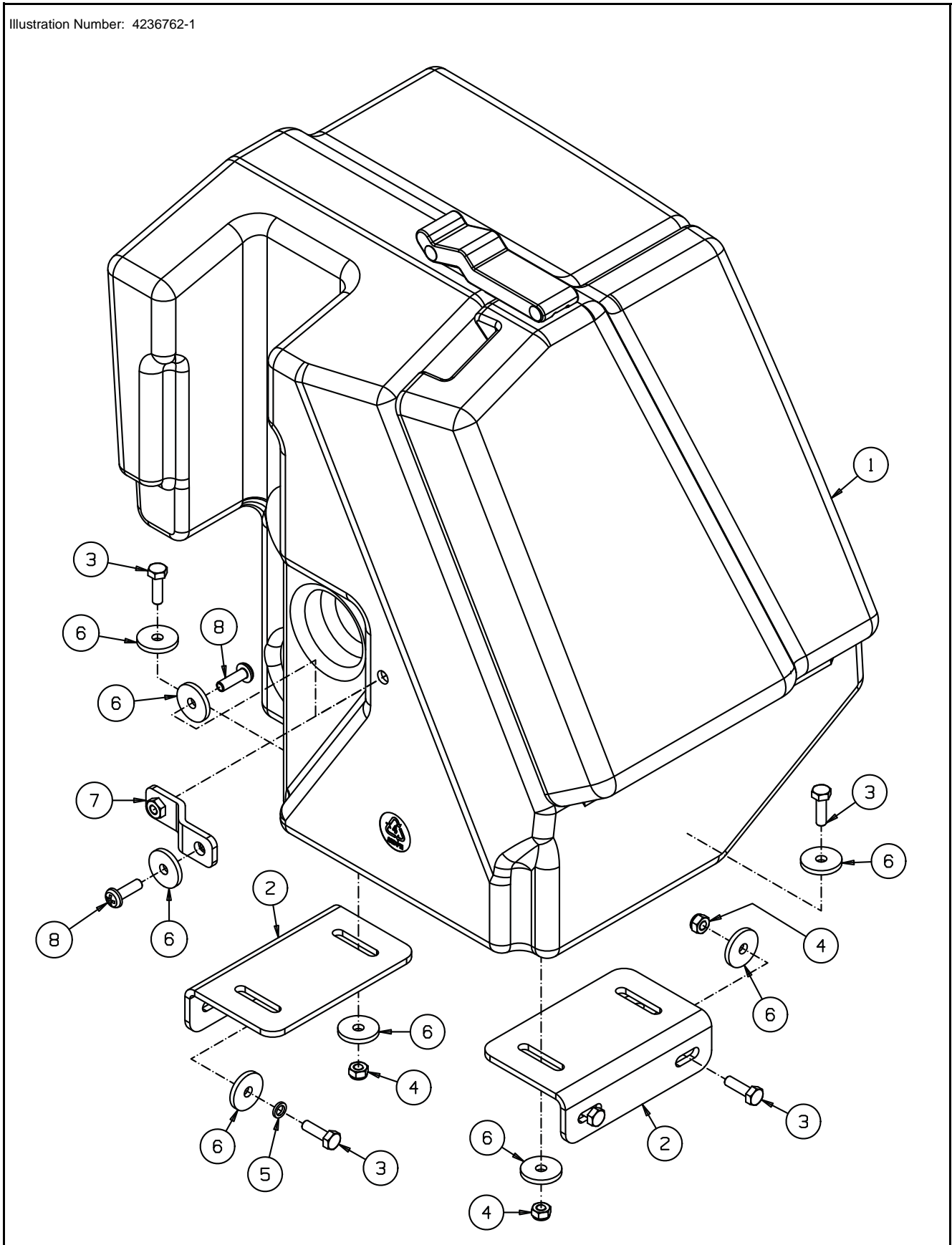


LMAC465 KIT - STORAGE RACKS

ITEM	PART NO.	DESCRIPTION	QTY.	
	LMAC465	Storage Racks Kit Includes	1	
1	4213040	• Wldmt-Storage Rack RH	1	Original Rear Light Position
1	4252544	• Wldmt-Storage Rack RH	1	New Inboard Light Position
2	4213041	• Wldmt-Storage Rack LH	1	Original Rear Light Position
2	4252543	• Wldmt-Storage Rack LH	1	New Inboard Light Position
3	450002	• Bolt-Hex M6 x 35	10	
3	450003	• Bolt-Hex M6 x 40	6	
3	450004	• Bolt-Hex M6 x 45	4	
4	450377	• Nut-M6 Nyloc	10	
5	450389	• Washer M6 x 12.5 x 1.8	20	

LMAC392 KIT-STORAGE BOX

Illustration Number: 4236762-1

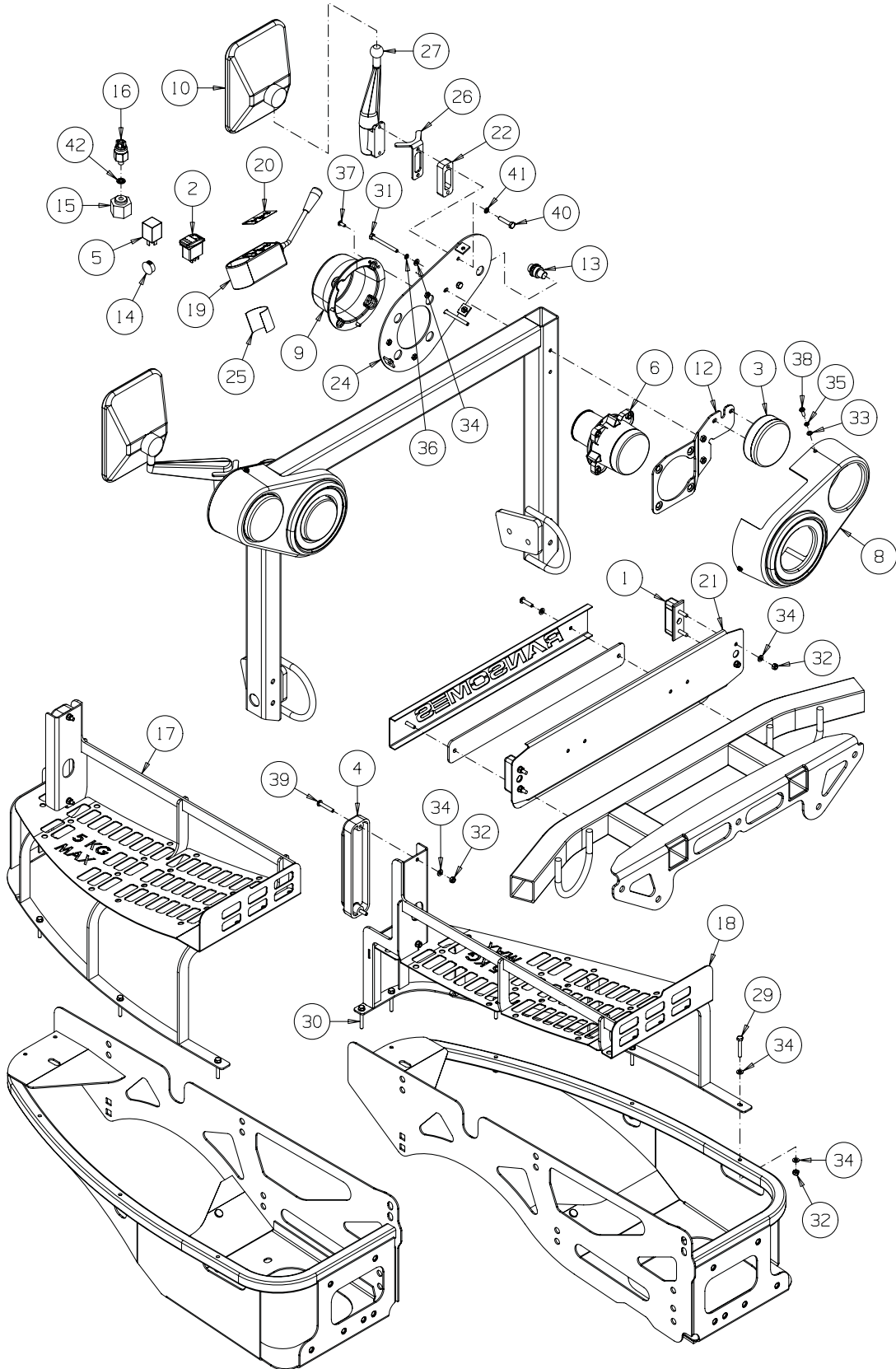


LMAC392 KIT-STORAGE BOX

ITEM	PART NO.	DESCRIPTION	QTY.	
1	LMAC392	Storage Box Kit includes:		
	4217381	• Fitted Asm-Storage Box	1	
	2198112	• • Draw Latch	1	
	4217383	• • Lid-Storage Box	1	
	4217384	• • Hinge-Storage Box	2	
2	4220300	• Bracket-Mtg, Storage Box	2	
3	450171	• Screw-Hex M6 x 20	7	
4	450377	• Nut-M6 Nyloc	5	
5	450410	• LockWasher-M6 x 9.6 x 1.6	2	
6	MBF0443	• Washer-8.5 x 24 x 3	12	
7	4233720	• Bracket Wldmt	1	
8	450542	• Screw-Pan Hd M6 x 20	2	

LMAC466 - KIT-LIGHTS & MIRRORS

Illustration Number: LMAC466



LMAC466 - KIT-LIGHTS & MIRRORS

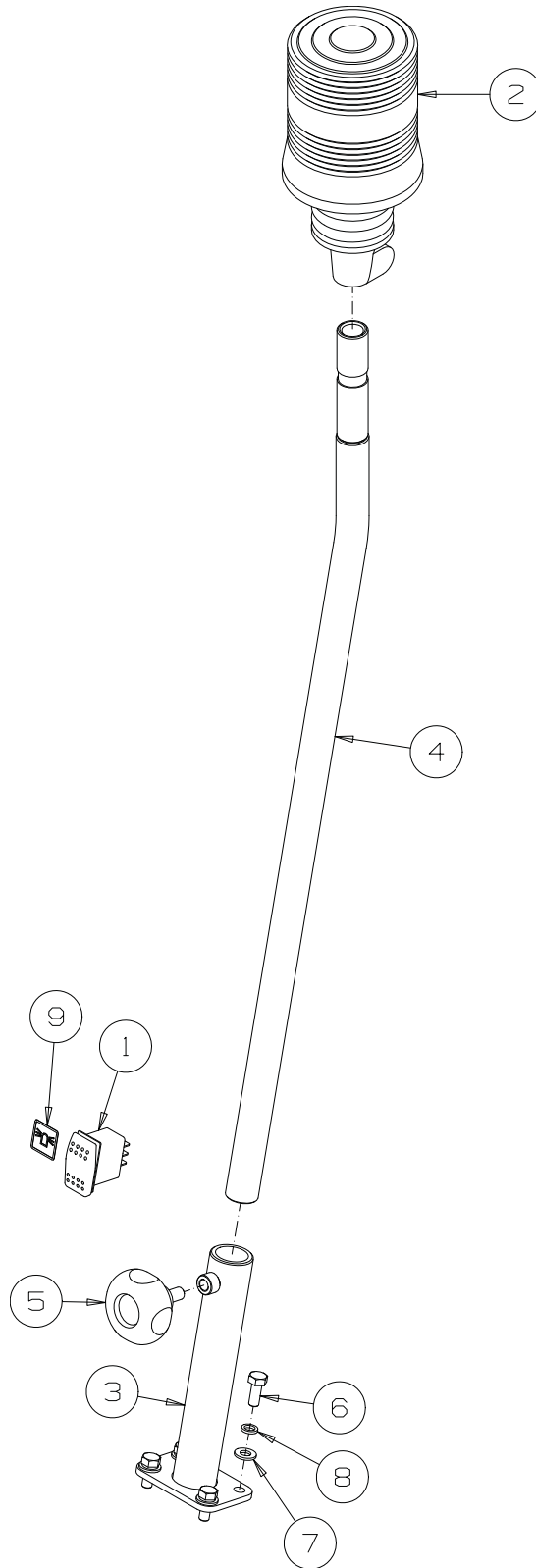
ORS

ITEM	PART NO.	DESCRIPTION	QTY.	
1 1	008231811	Light-Number Plate	2	
2	4138892	Hazard Switch (Blk)	1	
3	4161623	Side Indicator Lamp	2	
4	4161624	Rear Light Cluster	2	
5	4161625	Relay-Flasher	1	
6	4161780	Work/Headlamp	2	
*	4174040	• Headlamp Adjuster - Set	2	
7	4165801	Front Cover-Light Cluster RH	1	
8	4165802	Front Cover-Light Cluster LH	1	
9	4165803	Rear Cover-Work/Headlamp	2	
10	4167120	Mirror, Unbreakable	2	
11	4170900	Wldmt-RH Light Bracket	1	
12	4170901	Wldmt-LH Light Bracket	1	
13	4172461	Indicator Repeater Lens	2	
14	4179501	Dome Plug	1	
15	4188360	Test Point-1/3 BSPP x 1-3/16 ORS	1	
16	4198561	Pressure Switch (Brake Lights)	1	
17*	4213040	Wldmt-RH Storage Rack	1	Original Rear Light Position
17	4252544	Wldmt-RH Storage Rack	1	New Inboard Light Position
18*	4213041	Wldmt-LH Storage Rack	1	Original Rear Light Position
18	4252543	Wldmt-LH Storage Rack	1	New Inboard Light Position
19	4213986	Light Stem/Indicator Stalk	1	
20	4214280	Decal-Lighting Stalk	1	
21	4221720	Bracket-Number Plate Holder	1	
22	4223681	Mirror Spacer Plate	2	
23	4223682	Wldmt-RH Front Light Backing	1	
24	4223683	Wldmt-LH Front Light Backing	1	
25	4223820	Anti Slip-Indicator Stalk	1	
26	4224920	Mirror Stalk Stop	2	
27	4226040	Mirror Arm	2	
28	4226041	Mirror Adaptor Kit	2	
29	450003	Bolt-Hex M6-1.0 x 40, Gr 8.8	6	
30	450004	Bolt-Hex M6-1.0 x 45, Gr 8.8	4	
31	450008	Bolt-Hex M6-1.0 x 65, Gr 8.8	4	
32	450377	Nut-Hex M6-1.0, Gr 8, Nyloc	18	
33	450388	Wshr-M5 x 10 x 1.1	6	
34	450389	Wshr-M6 x 12.5 x 1.8	32	
35	450409	Lockwshr-M5 x 8.55 x 1.5	6	
36	450410	Lockwshr-M6 x 9.6 x 1.5	4	
37	450526	Screw-Pan Hd M5-0.8 x 12, Gr 4.8	6	
38	450528	Screw-Pan Hd M5-0.8 x 16, Gr 4.8	6	
39	450545	Screw-Pan Hd M6-1.0 x 35, Gr 4.8	4	
40	451030099	Bolt-Hex 1/4-28 x 1.1/4, Gr S	4	
41	452200029	Lockwshr-1/4 x .425 x .072	4	
42	870000065	1/8 BSP Dowty Washer	1	
*	4161784	• Front Wiring Harness	2	
*	4224000	• Number Plate Wiring Harness	1	

* Not illustrated

LMAC383 - KIT-BEACON

Illustration Number: LMAC383

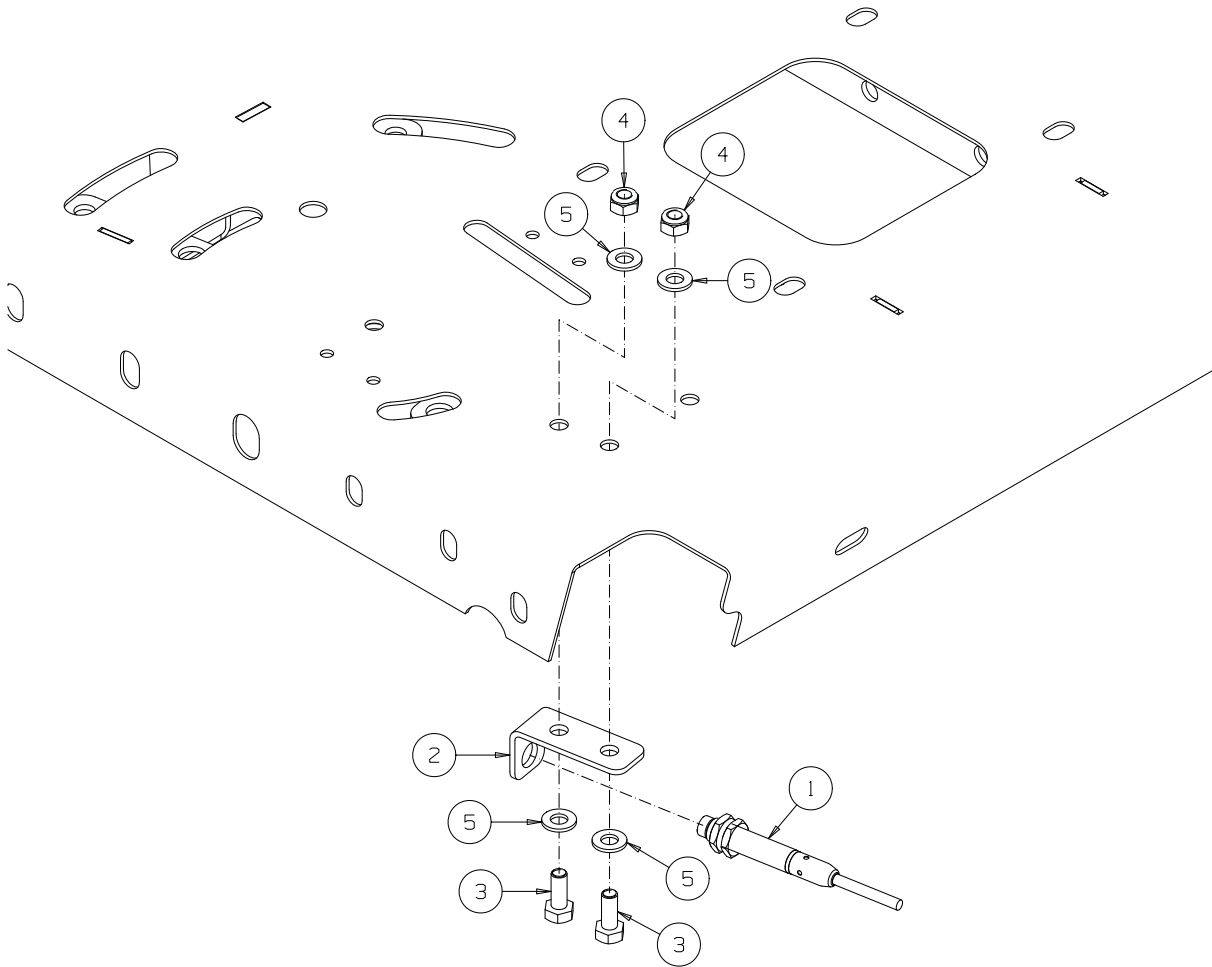


LMAC383 - KIT-BEACON

ITEM	PART NO.	DESCRIPTION	QTY.	
1	4159220	Beacon Switch-Teal	1	
2	4212126	Beacon On Flexi-Mount	1	
3	4222280	Wldmt-Beacon Bracket	1	
4	4222460	Wldmt-Beacon Pole	1	
5	4223720	Knob-M10x20 Male	1	
6	450191	Screw-Hex M8 x 20	4	
7	450390	Washer-M8 x 17 x 1.8	4	
8	450411	Washer-Slw M8	4	
9	4224880	Decal-Beacon	1	
*	4212125	Beacon Wiring Harness	1	Not Illustrated
*	008238460	Beacon Socket	1	Not Illustrated
*	008238470	Rubber Socket Cover	1	Not Illustrated

LMAC396 - KIT-MOW MODE SWITCH

Illustration Number: LMAC396



LMAC396 - KIT-MOW MODE SWITCH

ITEM	PART NO.	DESCRIPTION	QTY.	
1	4197063	Inductive Sensor	1	
2	4223260	Bracket-Speed Selector Switch	1	
3	450191	Screw-Hex M8 x 20	2	
4	450378	Nut-Hex M8 Nyloc	2	
5	450390	Washer-M8 x 17 x 1.8	4	
6	001992113	Cable Tie-140 x 3.6	2	Not Illustrated
7	4262595	Mow Mode Link Adaptor	1	For HR300 only - kit LMAC478



Europe & Rest of The World Except North & South America

Ransomes Jacobsen Limited
West Road, Ransomes Europark, Ipswich, IP3 9TT
English Company Registration No. 1070731
www.ransomesjacobsen.com

North & South America

Jacobsen, A Textron Company
11108 Quality Drive, Charlotte,
NC 28273, USA
www.Jacobsen.com