

## Parts Manual

---

### **RANSOMES HR 3300T**

Series: FR  
Engine type: D1105-T  
Product code: RHR33001



**WARNING:** If incorrectly used this machine can cause severe injury. Those who use and maintain this machine should be trained in its proper use, warned of its dangers and should read the entire manual before attempting to set up, operate, adjust or service the machine.

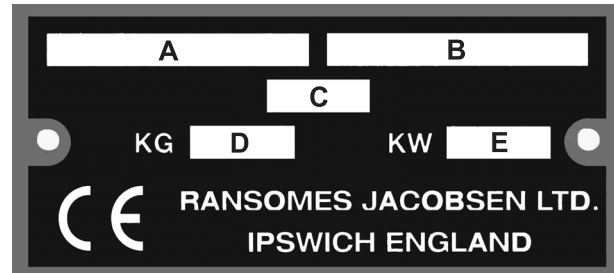


Ransomes Jacobsen Limited reserves the right to make design changes without obligation to make these changes on units previously sold and the information contained in this manual is subject to change without notice.

DESCRIPTION	PAGE	DESCRIPTION	PAGE
J2.1 PRODUCT IDENTIFICATION .....	4	FILTER MOUNTING .....	84
2.2 SPARES STOCKING GUIDE .....	4	FRONT HYDRAULIC MANIFOLD .....	86
2.3 HOW TO USE THE PARTS MANUAL .....	5	ROTARY DECK MOTOR, CASAPPA (4177941) .....	88
CHASSIS .....	6	ENGINE AND MOUNTING .....	90
REAR AXLE AND STEERING .....	10	TURBO ENGINE EXHAUST .....	94
DECK MOUNTING .....	14	RADIATOR .....	96
BULKHEAD .....	18	AIR CLEANER MOUNTING .....	98
BUMPER NAMEPLATE .....	20	ENGINE HOOD .....	100
STEERING TOWER .....	22	LOWER COVER .....	102
DEFLECTOR BRACKET .....	26	SEAT .....	104
FUEL TANK .....	28	SEAT, GRAMMER MSG 75 (4164150) .....	106
FUEL TANK AND MOUNTING FRAME .....	30	SEAT, GRAMMER MSG 85 (4140320) .....	110
HYDRAULIC TANK .....	34	ARMREST POD MOUNTING .....	118
HYDRAULIC TANK AND MOUNTING FRAME .....	36	ARMREST POD .....	120
BATTERY TRAY .....	40	TRACTION PEDAL .....	124
FRONT WHEELS AND MOTORS .....	42	INSTRUMENT PANEL .....	128
FRONT WHEEL MOTOR, DANFOSS (4130773) .....	46	PANEL ASSEMBLY .....	130
REAR WHEEL AND MOTOR .....	48	DECALS - TRACTOR.....	132
REAR WHEEL MOTOR, DANFOSS OMSW160 (4139426) .....	52	DECALS - REAR DISCHARGE DECK .....	134
PUMPS .....	54	DECALS - ENVIRODECK DECK .....	136
CUTTER & STEER PUMP, CASAPPA (4177940) .....	60	LMAC266 152CM REAR DISCHARGE DECK .....	138
TRANSMISSION PUMP, SAUER DANFOSS (4162660) .....	62	LMAC267 183CM REAR DISCHARGE DECK .....	146
LIFT VALVE .....	64	LMAC294 152CM ENVIRODECK .....	154
LIFT VALVE, STERLING (4131111) .....	66	LMAC320 160CM SIDE DISCHARGE DECK .....	160
LIFT VALVE, INTEGRATED .....	68	LMAC272 KIT-STORAGE RACKS .....	166
CUTTER AND BRAKE VALVE .....	70	LMAC271 KIT-STORAGE POD .....	168
CUTTER & BRAKE VALVE, STERLING (4131112) ...	72	LMAC259 KIT-ROPS FRAME .....	170
CUTTER & BRAKE VALVE, INTEGRATED .....	74	LMAC260 KIT-LIGHTS 152CM DECK .....	172
BRAKE RELEASE VALVE .....	74	LMAC297 KIT-LIGHTS 183CM DECK .....	176
ROTARY VALVE .....	76	LMAC290 KIT-ROTATING BEACON .....	180
DIFF LOCK VALVE .....	88	LMAC307 KIT-AUXILIARY HYDRAULIC SERVICES .....	182
DIFF LOCK VALVE, INTEGRATED HYDRAULICS (4155556) .....	82	AUXILIARY HYDRAULIC SERVICES VALVE.....	184

**2.1 PRODUCT IDENTIFICATION**

- A Machine Name
- B Serial Number
- C Year of Manufacture
- D Machine Weight
- E Engine Power

**2.2 SPARES STOCKING GUIDE**

To keep your equipment fully operational and productive, Ransomes suggests you maintain a stock of the more commonly used maintenance items. We have included part numbers for the additional support materials and training aids.

**SERVICE SUPPORT MATERIAL**

Part No.	Description	Part No.	Description
16622-89165	Engine Operators Manual	24808G + Country Code	HR3300T Operators Manual
978P8-68520	Engine Parts Manual		
	Engine Service Manual		

**SERVICE PARTS**

Part No.	Description	Part No.	Description
4155781	Air Filter Element	4177942	Seal Kit, Lift/Steer Pump
16271-32090	Engine Oil Filter	008233156	Fuse 5 amp
008089620	Hydraulic Oil Filter Element	008233164	Fuse 10 amp
4150198	152cm Deck Blade (533mm)	008233172	Fuse 15 amp
4176600	160cm Deck Blade (559mm)	008233180	Fuse 20 amp
4158841	183cm Deck Blade (635mm)	008244546	Relay
4171500	152cm Deck Mulching Blade (524mm)	008230310	Battery, Type 093
400410	Blade Screw	4172700	In-Line Fuel Filter
3007764	Blade Washer	4178520	Fuel Filter Canister
3008388	Adaptor, Blade	2198153	Roller 3"
4177941	Deck Motor	2721512	Roller 5" x 2.75"
557523	Key, Deck Motor	4177405	Roller
4138579	Caster Wheel 11 x 4 - 5	4177406	Sleeve for 4177405
4177943	Seal Kit, Deck Motor	002300620	Seal Kit, Rear Wheel Motor
4169328	Seal Kit, Transmission Pump	4134020	Seal Kit, Front Wheel Motor
4199061	Filter Element, 10 Micron Absolute		



### 2.3 HOW TO USE THE PARTS MANUAL

#### ITEM NUMBER

Each part which is identified in the illustrations has an item number. Parts which do not have an item number may not be readily identified in the illustration but are usually closely associated with the immediately adjacent part.

#### ASSEMBLIES

A complete assembly, e.g. a wheel motor or hydraulic motor or roll assembly, is listed as a complete item with subsequent individual components listed separately.

The assembly is listed under its part number with component parts being listed offset to the right, e.g:-

ITEM	PART NO.	DESCRIPTION	QTY	REMARKS
4295	MBG2504	Bracket	1	
4296	MBG3848	Latch	2	
4298	450865	Screw, M8 X 20, Sckt Csk Hd	2	
4300	450378	Nut, M8 Nyloc	2	
4301	WI001	Set Of Wheels	1	
4301.1	008162130	• Wheel & Hub Assy	1	(Rear)
4301.2	008170390	•• Tyre	1	
4301.3	008161830	•• Rim	1	
4301.4	008169140	•• Hub Assy.	1	
4301.5	008169150	•• Cap	1	
4301.6	002993010	•• Lubricator	1	
4301.7	008161990	• Wheel & Tyre	2	(Front)
4301.8	008170780	•• Tyre	2	

It may not be possible to illustrate every item. With certain items purchased from outside suppliers some component parts may not be available from Ransomes and may need to be specially ordered from the supplier.

#### QUANTITIES

Quantities shown are for one assembly or sub-assembly.

#### USING THE PARTS LIST

Determine the function and application of the part required. Turn to the main index page and select the appropriate section. Locate the part on the illustration and parts list and read off the quantity from the appropriate MODEL column.

#### NUMERICAL INDEX

This is a summary of all part numbers used in the manual arranged in numerical sequence and showing the page and item number under which the parts appear.

#### ORDERING OF SPARE PARTS

When ordering replacement parts, it is most important to quote the SERIAL NUMBER of the machine, PART NUMBER, DESCRIPTION and QUANTITY required.

Any arbitrary modifications carried out on this machine may relieve the manufacturer of liability for any resulting damage or injury.

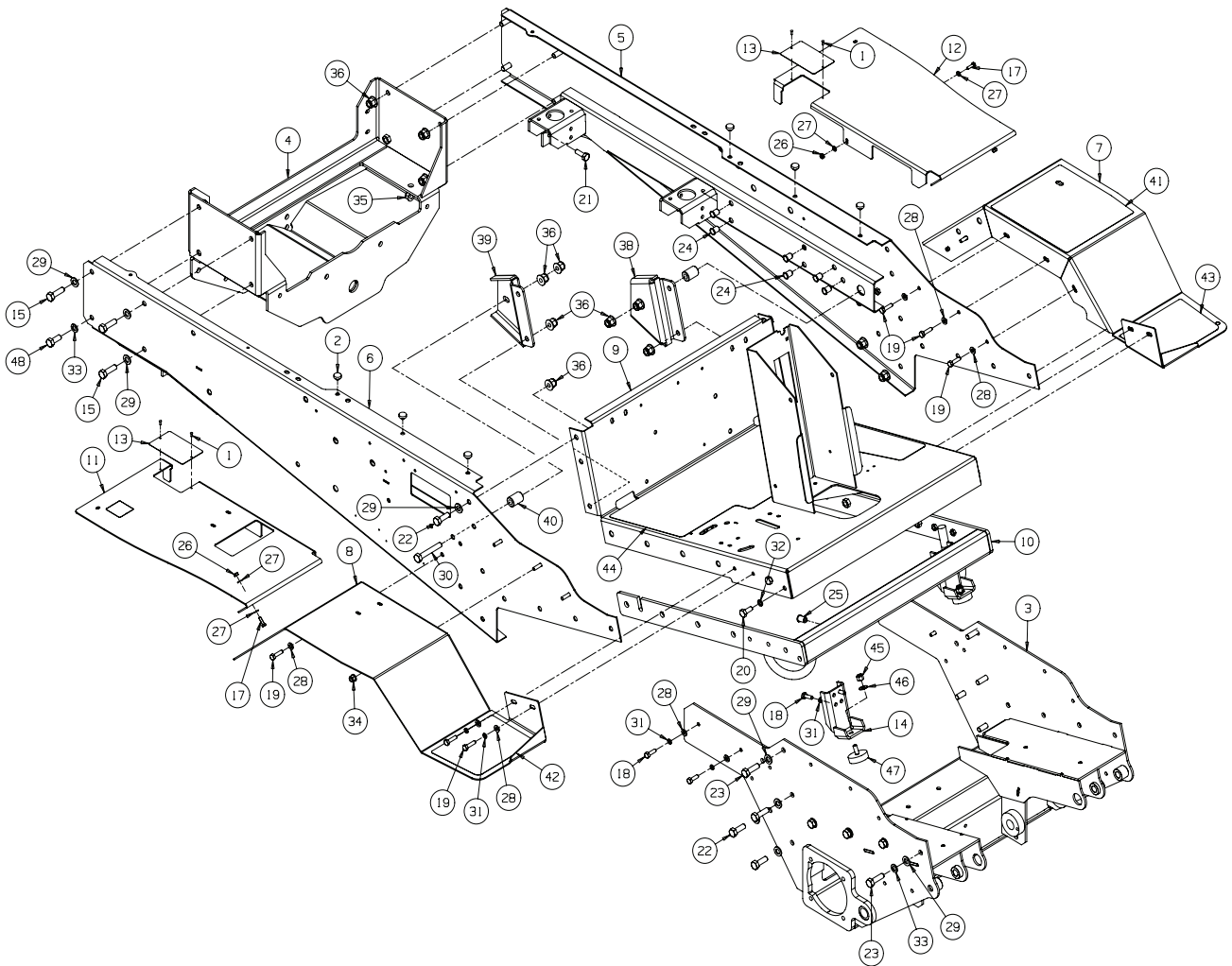
#### ABBREVIATIONS

N/A Not Available

AR As Required

CHASSIS

Illustration Number: 4152277-4

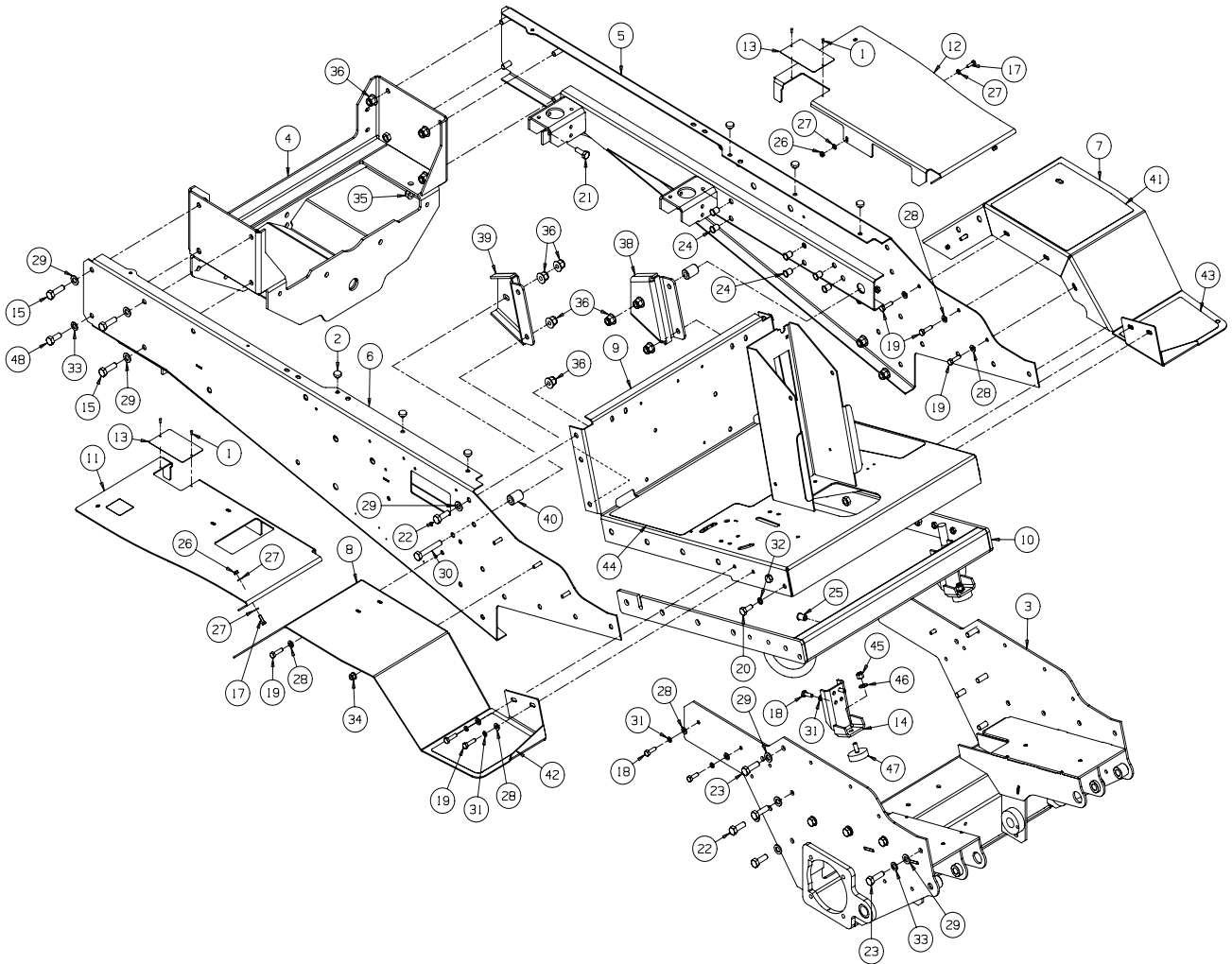


## CHASSIS

ITEM	PART NO.	DESCRIPTION	QTY.	
1	001496150	Rivet-Pop 3.2 x 10	4	
2	009064020	Rubber Bump Stop	6	
3	4149917	Wldmt-Front Axle	1	
4	4150460	Wldmt-Rear Frame	1	
5	4151977	Wldmt-Frame Rail LH	1	
6	4151978	Wldmt-Frame Rail RH	1	
7	4152341	Mudguard LH	1	
8	4152342	Mudguard RH	1	
9	4152478	Wldmt-Platform	1	
10	4156643	Wldmt-Platform Support	1	
11	4157500	RH Side Platform	1	
12	4157501	LH Side Platform	1	
13	4157520	ROPS Cover Plate	2	
14	4160922	Bump Stop-Front	2	
15	450048	Bolt-Hex M12 x 40	6	
16	450120021	Nut-Hex 5/16-18	2	Fitted up to FR000321/FY000311
17	450171	Scrw-Hex M6 x 20	4	
18	450192	Scrw-Hex M8 x 25	10	
19	450193	Scrw-Hex M8 x 30	12	
20	450214	Scrw-Hex M10 x 25	4	
21	450215	Scrw-Hex M10 x 30	2	
22	450242	Scrw-Hex M12 x 35	6	
23	450243	Scrw-Hex M12 x 40	12	
24	450369	M8 Nutsert	8	
25	450370	M8 Nutsert	4	
26	450377	Nut-Hex M6 Nyloc	4	
27	450389	Wshr-M6 x 12.5 x 1.8	8	
28	450390	Wshr-M8 x 17 x 1.8	18	
29	450392	Wshr-M12 x 24 x 2.7	26	
30	450055	Bolt-Hex M12 x 75	2	
31	450411	Wshr-SLW M8	14	
32	450412	Wshr-SLW M10	4	
33	450424	Wshr-SLW M12	10	
34	452436	Nut-Hex M8 Fling Nyloc	8	
35	452437	Nut-Nyloc M10 Fling	2	
36	452438	Nut-Hex M12 Fling Nyloc	20	
37	523126	Bumper, Rubber	2	Fitted up to FR000321/FY000311

CHASSIS

Illustration Number: 4152277-4



## CHASSIS

ITEM	PART NO.	DESCRIPTION	QTY.	
38	4166323	Bracket-Chassis LH	1	
39	4166324	Bracket-Chassis RH	1	
40	4166325	Spacer-13 x 25 x 34.5	2	
41	4168463	Anti Slip-Mudguard Top LH	1	
42	4168464	Anti Slip-Mudguard Front RH	1	
43	4168465	Anti Slip-Mudguard Front LH	1	
44	4168466	Anti Slip-Platform	1	
45	450120267	Nut-Hex 3/8-16 Nyloc	2	Fitted from FR000322/FY000312
46	450391	Wshr-M10 x 21 x 2.2	2	Fitted from FR000322/FY000312
47	J361723	Bumper Stop	2	Fitted from FR000322/FY000312
48	450241	Scrw-Hex M12 x 30	2	

REAR AXLE AND STEERING

Illustration Number: 4150459-4

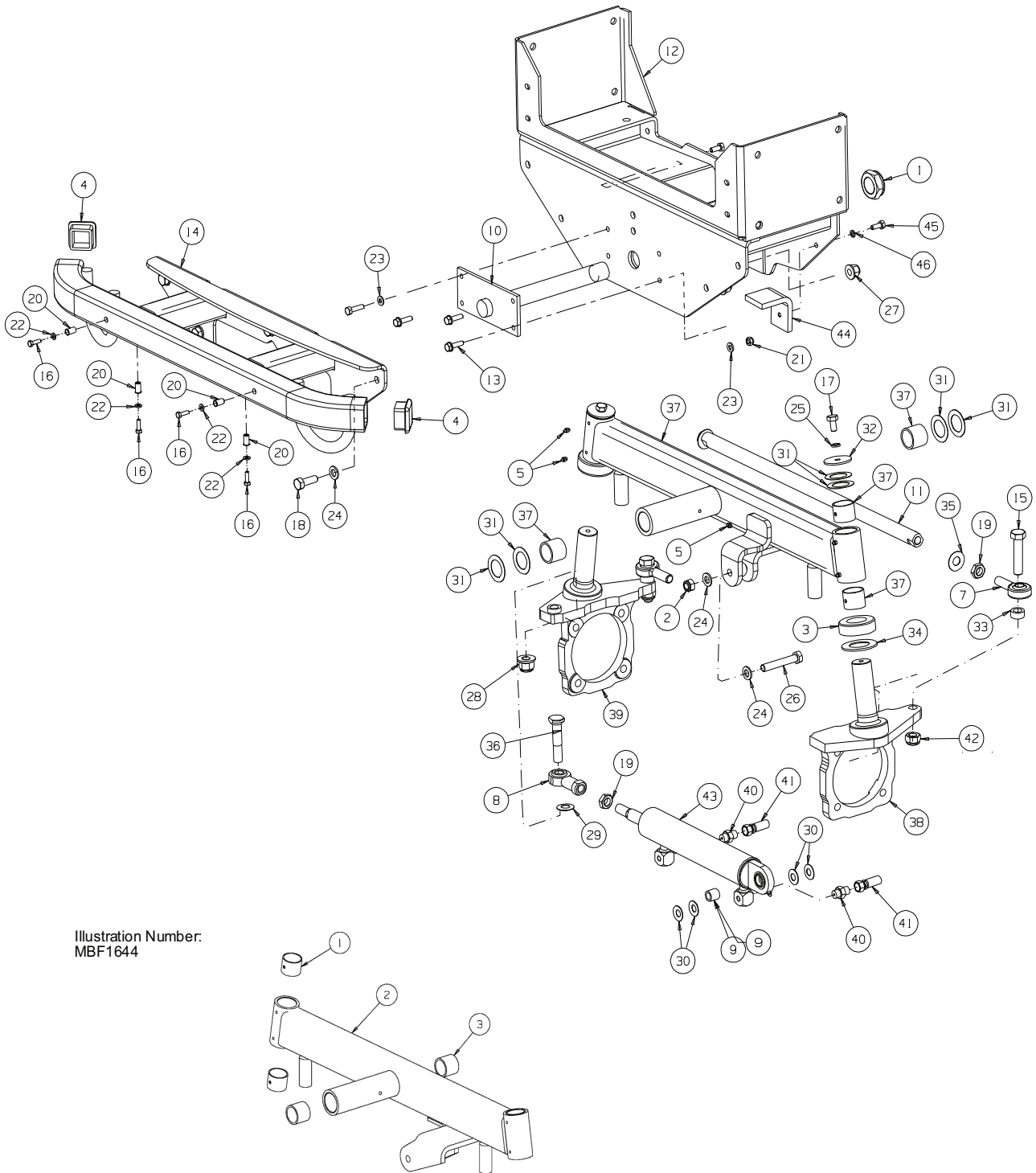


Illustration Number:  
MBF1644

## REAR AXLE AND STEERING

ITEM	PART NO.	DESCRIPTION	QTY.	
1	001393820	Nut-Hex 1-1/4-12 Nyloc	1	To S/N FR000760, FY000391
2	001399032	Nut-Hex 1/2-20 Nyloc	1	
3	002029050	Thrust Bearing	2	
4	002952633	End Cap-50 x 50 x 5	2	
5	002993013	Lubricator-M6 Str	5	
6	008015010	Hyd Steer Ram	1	
*	002300820	• Seal Kit	1	
7	008145418	Rod End	2	
8	008145530	Rod End M16, Female	1	
9	2203049	Bushing-Steering Ram	1	
10	2206030.07	Wldmt-Rear Axle Pivot	1	
11	4135075	Track Rod	1	
12	4150460	Wldmt-Rear Frame	1	
13	450014	Bolt-Hex M8 x 30	4	
14	4158042	Wldmt-Bumper	1	
15	001009740	Bolt-Hex M16 x 70	2	
16	450171	Scrw-Hex M6 x 20	4	
17	450213	Scrw-Hex M10 x 20	2	
18	450242	Scrw-Hex M12 x 35	5	
19	450334	Nut-Hex M16 Thin	3	
20	450358	M6 Nutsert	4	
21	450378	Nut-Hex M8 Nyloc	4	
22	450389	Wshr-M6 x 12.5 x 1.8	4	
23	450390	Wshr-M8 x 17 x 1.8	8	
24	450392	Wshr-M12 x 24 x 2.7	7	
25	450412	Wshr-SLW M10	2	
26	451030683	Bolt-Hex 1/2-20 x 3	1	
27	452438	Nut-Hex M12 Flng Nyloc	5	
28	452439	Nut-Hex M16 Flng Nyloc	1	
29	461901564	Sprg-Disc 16 x 31.8 x 1.02	1	
30	461901679	Sprg-Disc 13 x 28 x 1	4	
31	62464-4A	Thrust Washer	8	
32	64163-17	Wshr-25/64 x 2 x 11G	2	
33	MBF1270A	Spacer-T/rod End	2	
34	MBE1693	Washer-King Pin	2	
35	MBE1818	Wshr-16.5 x 36 x 1	2	
36	MBF1544A	Bolt-Motor Mount	1	
37	MBF1644	Rear Axle Assy	1	
38	MBG6359	Motor Mount RH	1	

REAR AXLE AND STEERING

Illustration Number: 4150459-4

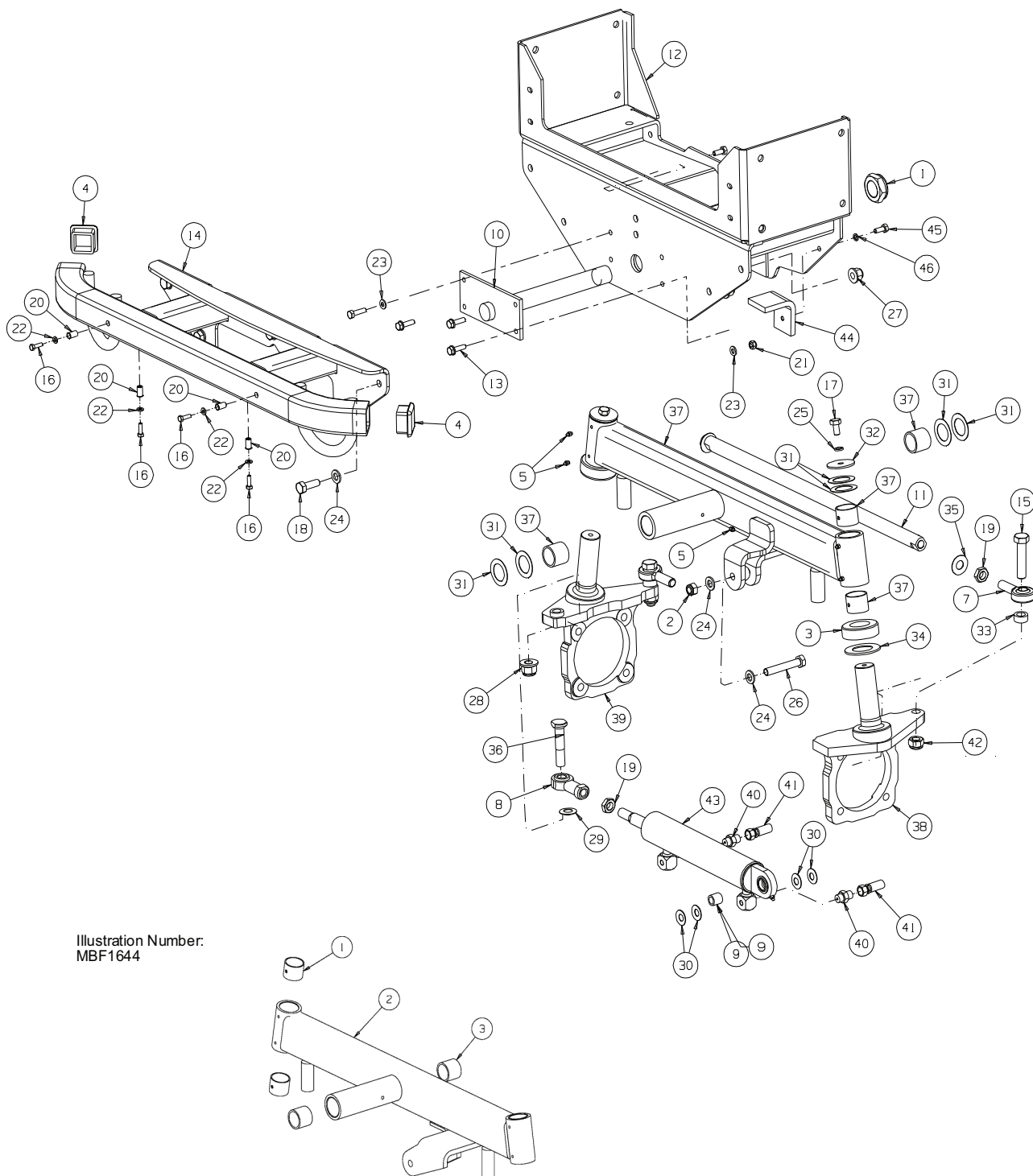


Illustration Number:  
MBF1644

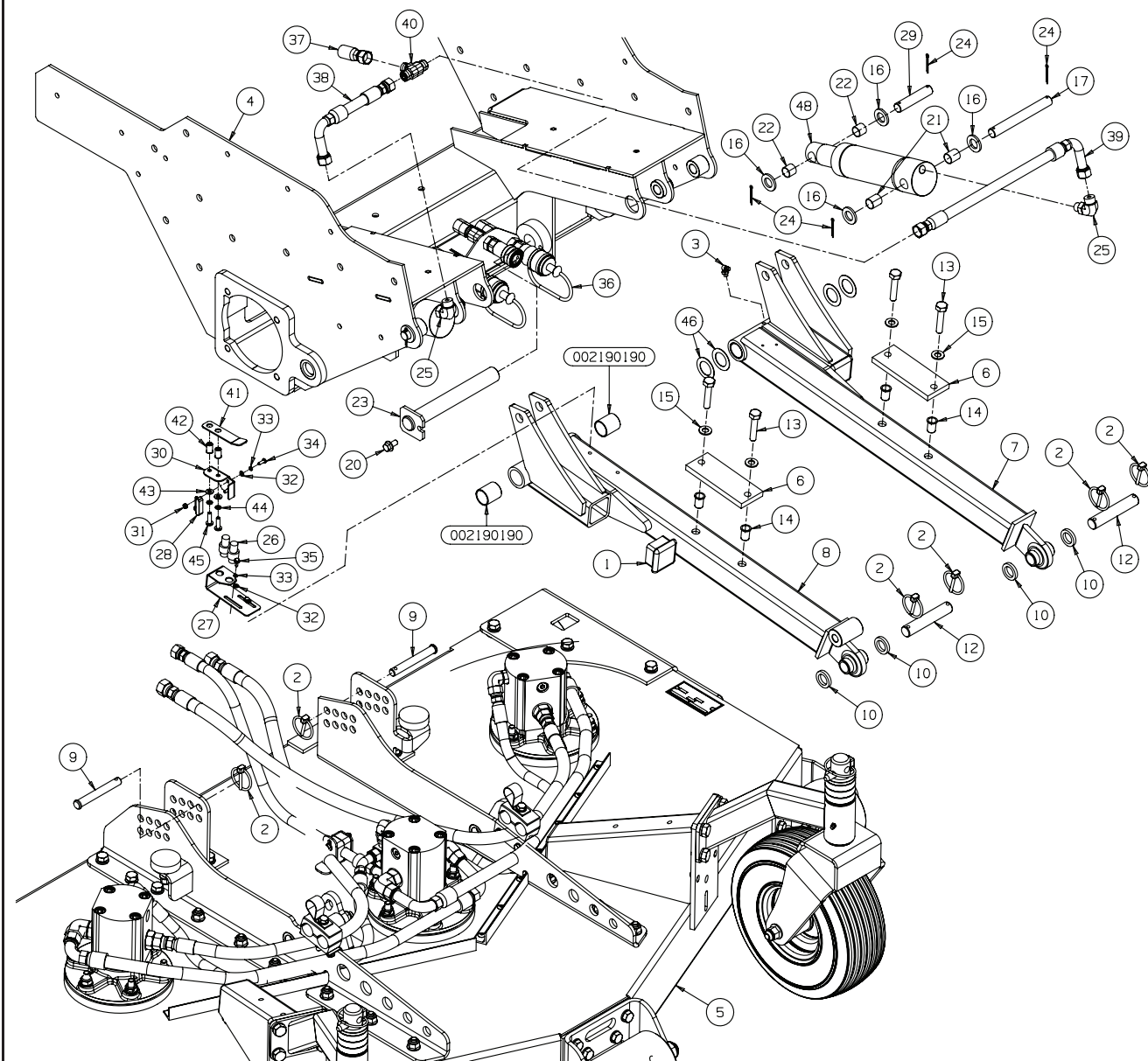


## REAR AXLE AND STEERING

ITEM	PART NO.	DESCRIPTION	QTY.	
39	MBG6360	Motor Mount LH	1	
40	002515100	Ftg-9/16 ORS x 9/16 SAE	2	
*	158061-18	• O-Ring	1	9/16" ORFS
*	002218065	• O-Ring	1	9/16" SAE
41	4163590	Hose Assembly	2	Steering Ram To Bulkhead
42	450382	Nut-Hex M16 Nyloc	2	
43	4244292	D/A Hyd Cyl, 20 x 203, Steering	1	From S/N FR000761, FY000392
*	4291653	Seal Kit for 4244292		
*	4291653	Seal Kit for 4244292		
44	4242082	Stop - Rear Axle	2	
45	450191	Screw - Hex M8 - 1.25 x 20	2	
46	450411	Lockwasher - M8 x 12.75 x 2	2	
100 *	4242082	Stop-Rear Axle	2	
101 *	450191	Scrw-Hex M8 x 20	2	
102 *	450411	Lockwshr-M8 x 12.75 x 2	2	
		Illustration Number: MBF1644		
1	002131030	Bush-Wrapped 35 x 39 x 30	4	
2	MBF1111	Wldmt-Rear Axle	1	
3	W108003	Bearing	2	

DECK MOUNTING

Illustration Number: 4152817-4

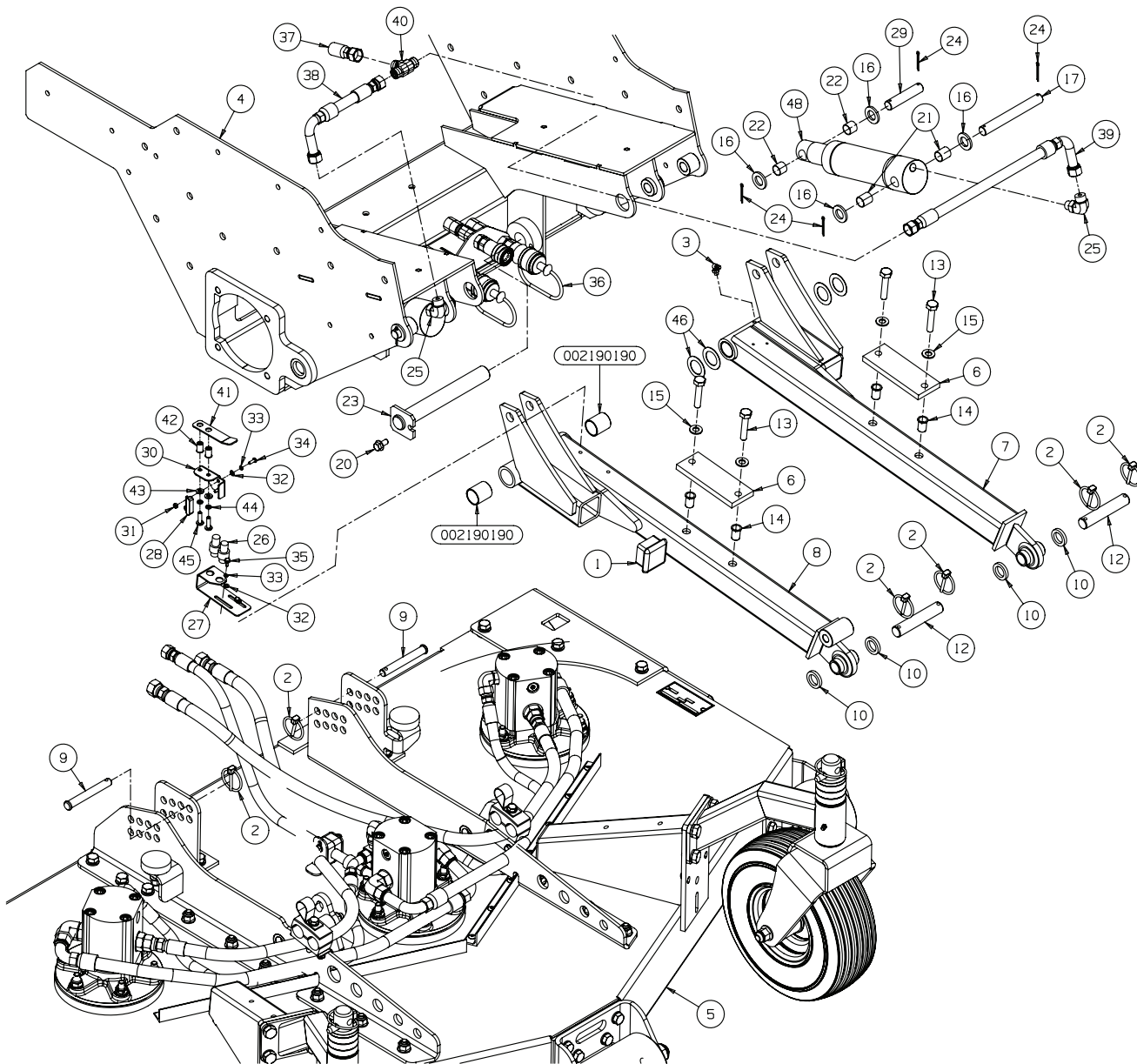


## DECK MOUNTING

ITEM	PART NO.	DESCRIPTION	QTY.	
1	002952633	End Cap-50 x 50 x 5	2	
2	001490740	Quick Pin	6	
3	35027N	Lubricator-1/4-28 x 90°	2	
4	4149917	Wldmt-Front Axle	1	
5	4150118	Group-60" Deck	1	
6	4151277	Bumper-Lift Arm	2	
7	4151297	Wldmt-Lift Arm LH	1	
8	4151298	Wldmt-Lift Arm RH	1	
9	4151817	Pin-Clevis, 1/2 x 3-3/4	2	
10	4151937	Spacer-20 x 30 x 10	1	
11	4155860	Cylinder-Lift	2	To S/N FR000760, FY000391
*	4163703	• Seal Kit	1	
12	4157243	Pin-Deck Mtg, 3/4 x 4	2	
13	450219	Scrw-Hex M10 x 50	4	
14	450372	M10 Nutsert	4	
15	450391	Wshr-M10 x 21 x 2.2	4	
16	450393	Wshr-M16 x 30 x 3.3	8	
17	4163643	Pin-Lift Cylinder	2	
18	450528	Scrw-Pan Hd M5 x 16	2	To Serial Numbers: FR000322 & FY000312
19	450376	Nut-Hex M5 Nyloc	2	To Serial Numbers: FR000322 & FY000312
20	452701	Scrw-Hex M8 x 16 Taptite	2	
21	002143428	Bush-Dx 16 x 18 x 20	4	
22	4163641	Bush-Dx 16 x 18 x 15	4	
23	MBF1929	Wldmt-Push Arm Pin	2	
24	454000297	Split Pin-1/8 x 1-1/4	8	
25	W158007-01	90-M/M 11/16 ORS x 9/16 SAE	2	
*	158061-01	• O-Ring	1	11/16" ORFS
*	002218065	• O-Ring	1	9/16" SAE
26	2208049	Magnet-Actuator	2	
27	4160801	Bracket-Magnet	1	
28	4161603	Proximity Switch	1	
29	4163642	Pin-Lift Cylinder	2	
30	4163880	Bracket-Mag Proximity Sensor	1	
31	450321	Nut-Hex M4	2	
32	450387	Wshr-M4 x 9 x 0.9	4	
33	450408	Wshr-Slw M4	4	
34	450517	Scrw-Pan Hd M4 x 12	2	

DECK MOUNTING

Illustration Number: 4152817-4

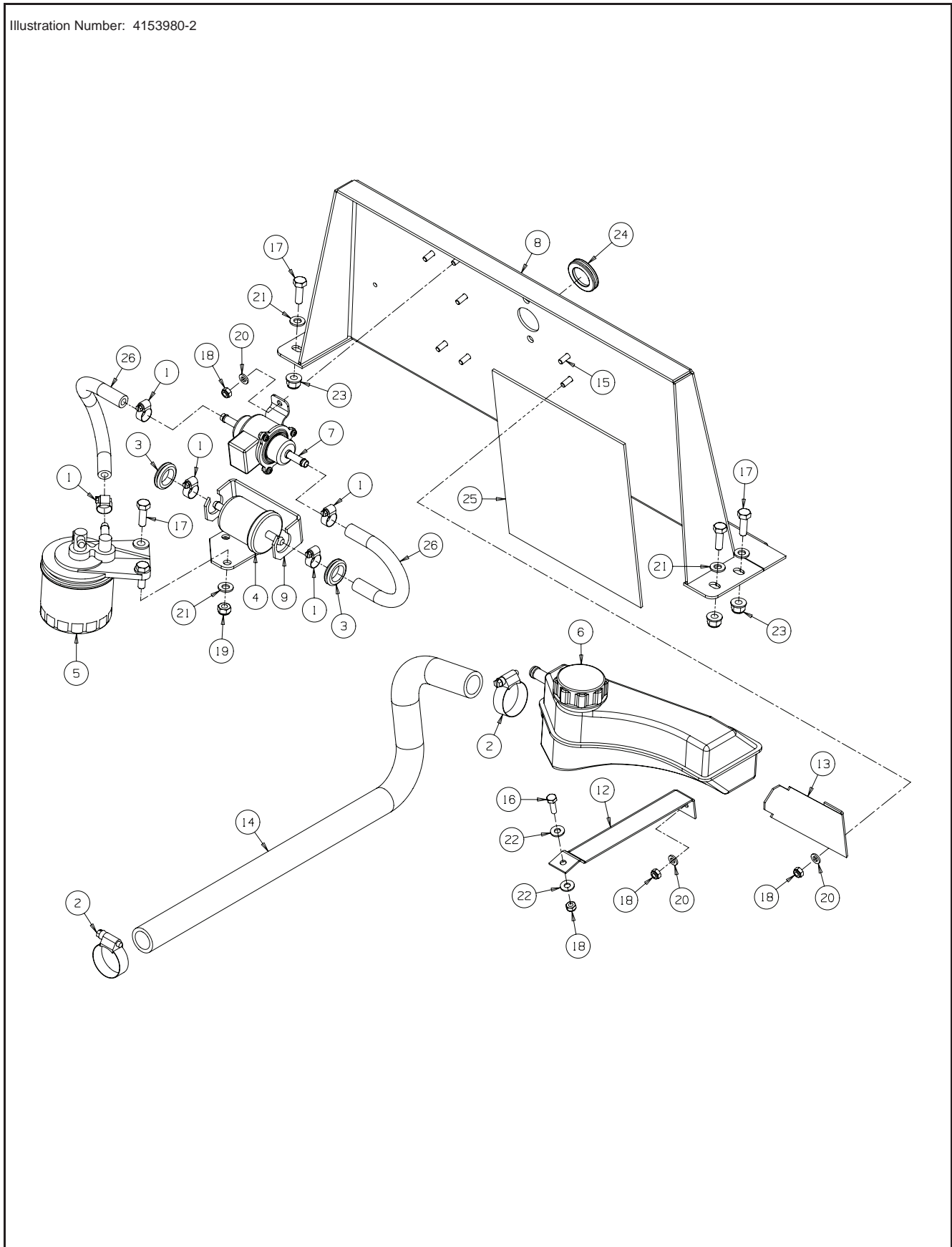


## DECK MOUNTING

ITEM	PART NO.	DESCRIPTION	QTY.	
35	452676	Scrw-Hex M4 x 10 Taptite	2	
36	4163645	Group-Front Hyd Manifold	1	
37	4173281	Hose Assembly	1	Lift Tee to Lift Valve 'L'
38	4164021	Hose Assembly	1	LH Lift Ram to Lift Tee
39	4164022	Hose Assembly	1	RH Lift Ram to Lift Tee
40	W158011-01	Tee-M/M/M 11/16 ORS	1	
*	158061-01	• O-Ring	3	11/16" ORFS
41	4172320	Bracket-Proximity Sensor Nuts	1	From Serial Numbers: FR000323 & FY000313
42	450357	M6 Nutsert	2	From Serial Numbers: FR000323 & FY000313
43	450389	Wshr-M6 x 12.5 x 1.8	2	From Serial Numbers: FR000323 & FY000313
44	450410	Wshr-Slw M6	2	From Serial Numbers: FR000323 & FY000313
45	450542	Scrw-Pan HD M6 x 20	2	From Serial Numbers: FR000323 & FY000313
46	001593072	Wshr-Thrust 1 x 1.562 x 0.030/0.032	8	
48	4244290	S/A Hyd Cyl, 35 x 84.15	2	From S/N FR000761, FY000392
*	4291655	Seal Kit	A/R	

BULKHEAD

Illustration Number: 4153980-2

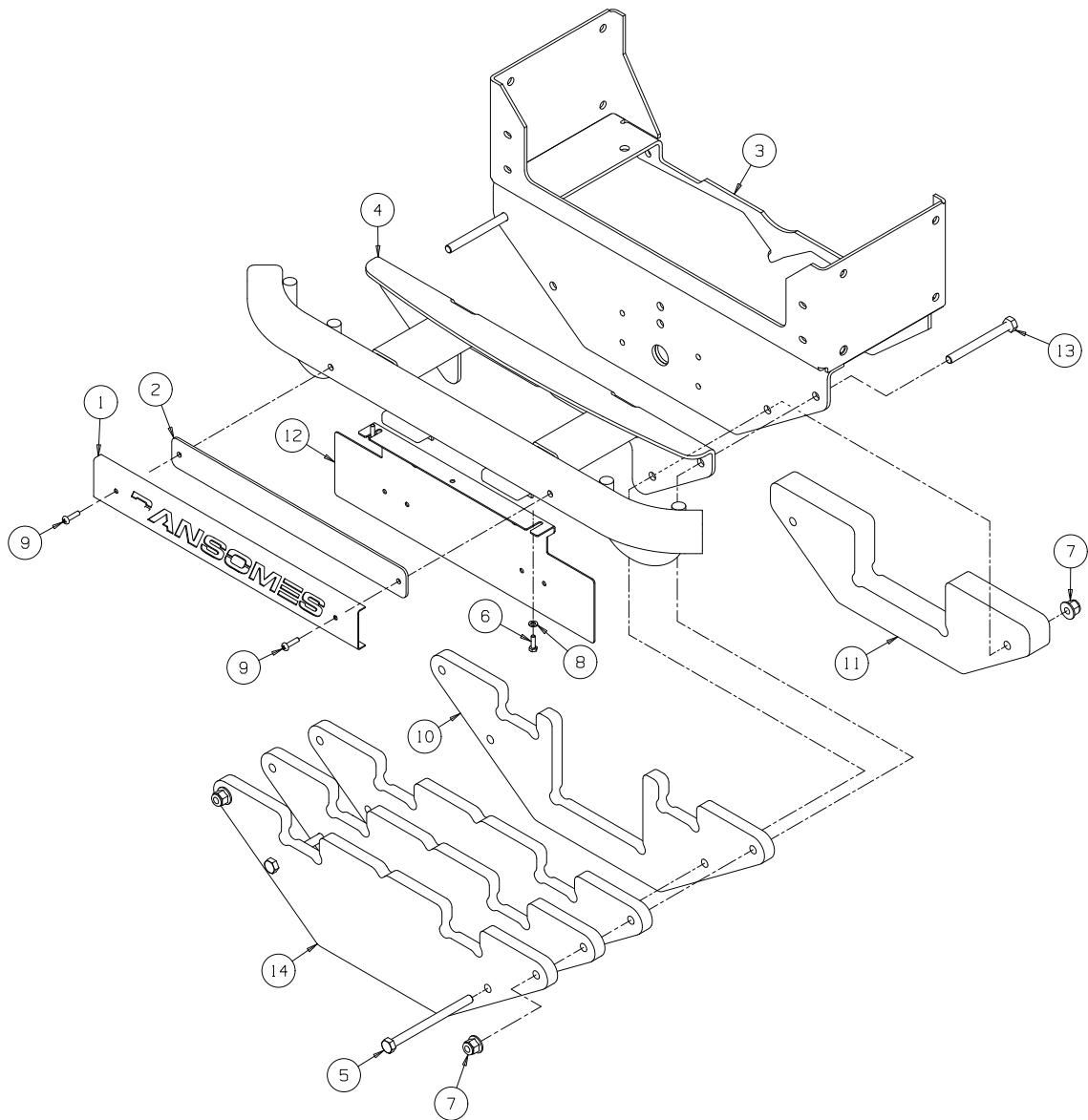


## BULKHEAD

ITEM	PART NO.	DESCRIPTION	QTY.	
1	001925160	Hose Clamp, 6-16	5	
2	001925400	Hose Clamp, 19-40	2	
3	002953223	Grommet-20 x 31 x 7.5	2	
4	4172700	In-Line Fuel Filter	1	
5	4172701	Fuel Filter	1	
6	4123826	Expansion Tank & Cap	1	
7	4126806	Electric Fuel Pump	1	
8	4135856	Wldmt-Bulkhead	1	
9	4153981	Bracket-Fuel Filter	1	
10*	4154020	Hose-Fuel Pump To Filter	1	to serial no. FR000519 and FY000350
11*	4154021	Hose-Filter (In-Line) To Fuel Pump	1	to serial no. FR000519 and FY000350
12	4156420	Bracket-Water Bottle LH	1	
13	4156421	Bracket-Water Bottle RH	1	
14	4157740	Hose-Expansion Tank	1	
15	450170	Scrw-Hex M6 x 16	7	
16	450171	Scrw-Hex M6 x 20	1	
17	450192	Scrw-Hex M8 x 25	6	
18	450377	Nut-Hex M6 Nyloc	8	
19	450378	Nut-Hex M8 Nyloc	2	
20	450389	Wshr-M6 x 12.5 x 1.8	7	
21	450390	Wshr-M8 x 17 x 1.8	6	
22	452100019	Wshr-1/4 x 5/8 x .064	2	
23	452436	Nut-Hex M8 Flng Nyloc	4	
24	002953320	Grommet	1	
25	4117825	Heat Insulation	1	
26	4194220	Hose-Filter to Fuel Pump	2	from serial no. FR000520 and FY000351

BUMPER NAMEPLATE, RANSOMES

Illustration Number: 4161980



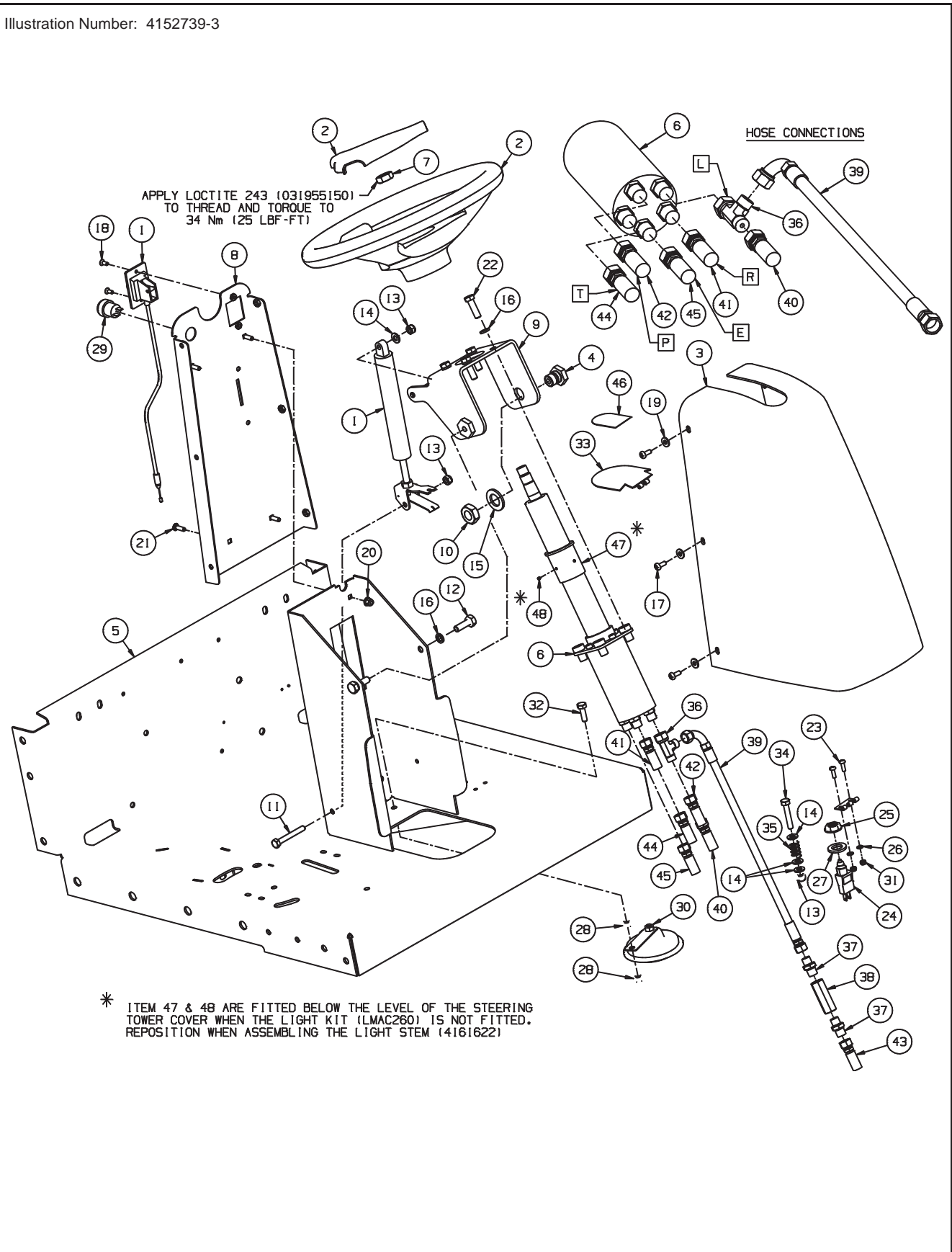


## BUMPER NAMEPLATE, RANSOMES

ITEM	PART NO.	DESCRIPTION	QTY.	
1	4161940	Nameplate-Bumper	1	Ransomes
2	4161942	Backplate-Bumper	1	Green - Steel 12.5mm Holes
2	4195660	Backplate-Bumper	1	Green - Plastic 8mm Holes
3	4150460	Wldmt-Rear Frame	1	
4	4158042	Wldmt-Bumper	1	
6	450171	Scrw-Hex M6 x 20	2	
8	450389	Wshr-M6 x 12.5 x 1.8	2	
9	450543	Scrw-Pan Hd M6 x 25	2	
12	MBG4821	Plate-Reg No	1	
		FOR USE WITH CAB KIT (LMAC258)		
5	450065	Bolt-Hex M12 x 160	2	
7	452438	Nut-Hex M12 Flng Nyloc	4	
10	4171240	Weight-9.6 kg	1	
11	4171341	Weight-14 kg	1	
13	450061	Bolt-Hex M12 x 120	2	
14	4171241	Weight-13.6 kg	3	
		FOR USE WITH BRUSH KIT (LMAC269)		
5	450061	Bolt-Hex M12 x 120	2	
7	452438	Nut-Hex M12 Flng Nyloc	4	
10	4171240	Weight-9.6 kg	2	
11	4171341	Weight-14 kg	1	
13	450055	Bolt-Hex M12 x 75	2	

STEERING TOWER

Illustration Number: 4152739-3

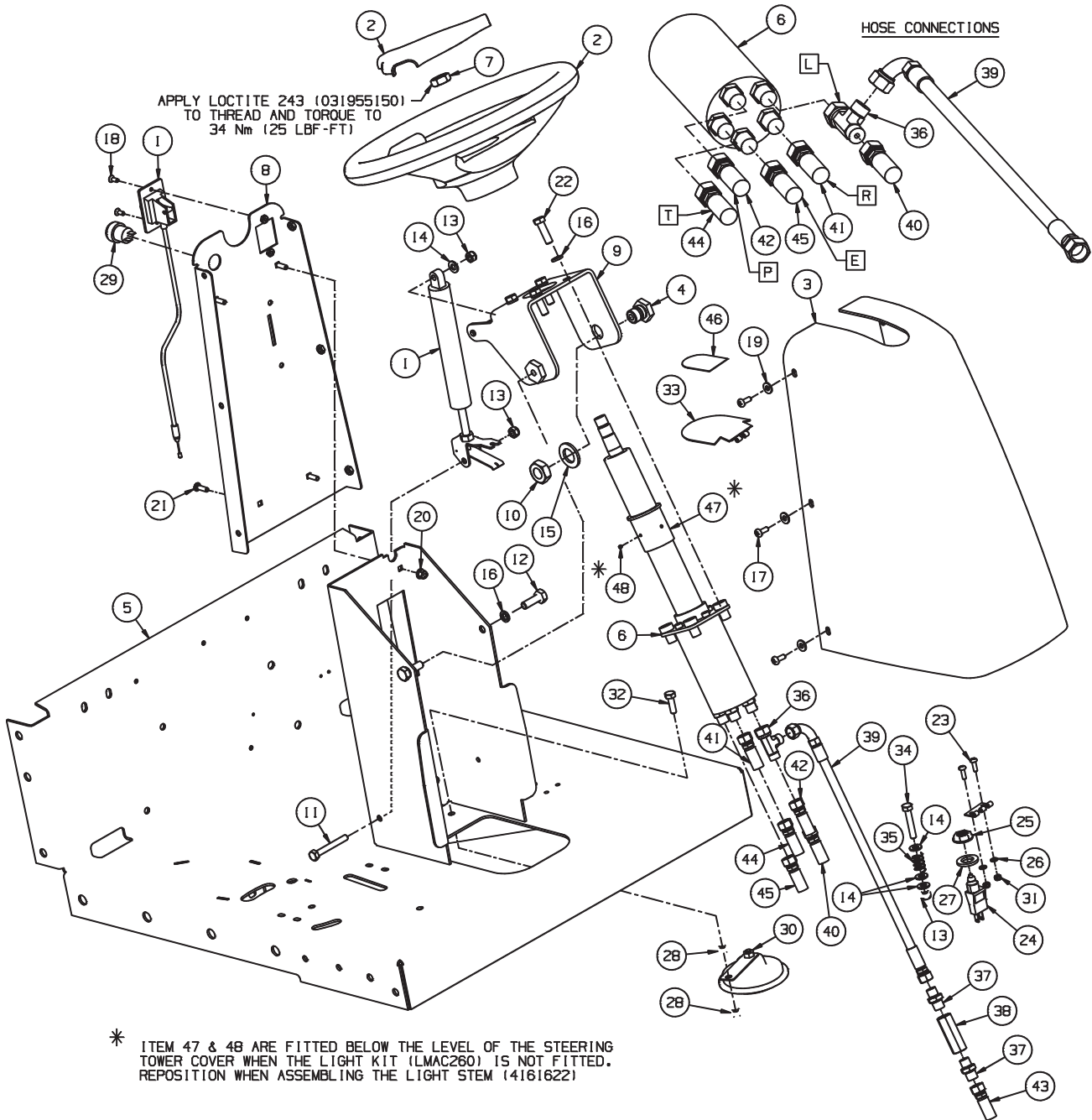


## STEERING TOWER

ITEM	PART NO.	DESCRIPTION	QTY.	
1	1003460	Asm-Actuator, Tilt Spring	1	Non Service Part
*	J5002918	• Gas Spring, Locking	1	
*	J5002919	• Actuator	1	
2	2811364	Steering Wheel	1	
3	3010651.2	Cover-Steering Tower	1	Colour - Green
4	4130398	Bolt-Pivot, Steering Unit	2	
5	4152478	Wldmt-Platform	1	
6	4152520	Steering Unit & Column	1	
7	450020338	Nut-Hex 5/8-18 Thin	1	
8	4152617	Wldmt-Cover, Steering Tower	1	
9	4152697	Wldmt-Bracket, Steering Unit	1	
10	444849	Locknut, 3/4-10 Center Jam	2	
11	450020	Bolt-Hex M8 x 60	1	
12	450215	Scrw-Hex M10 x 30	2	
13	450378	Nut-Hex M8 Nyloc	3	
14	450390	Wshr-M8 x 17 x 1.8	5	
15	450394	Wshr-M20 x 37 x 3.3	2	
16	450412	Wshr-SLW M10	6	
17	450541	Scrw-Pan Hd M6 x 16	6	
18	450605	Scrw-Csk M5 x 12	2	
19	452100019	Wshr-1/4 x 5/8 x .064	6	
20	452435	Nut-Hex M6 Fling Nyloc	4	
21	452542	Bolt-Crg M6 x 20	4	
22	456110448	Scrw-Hex 3/8-16 x 1-1/4	4	
23	450528	Scrw-Pan Hd M5 x 16	2	
24	4142765	N/O Sealed Switch	1	
25	4142766	5/8-18 UNF Plastic Nut	1	For 4142765
26	450388	Wshr-M5 x 10 x 1.1	2	
27	450393	Wshr-M16 x 30 x 3.3	1	
28	450324	Nut-Hex M8	2	
29	4161621	Horn Button Assembly	1	
30	008239720	Horn	1	
31	450376	Nut-Hex M5 Nyloc	2	
32	450192	Scrw-Hex M8 x 25	1	
33	MBE3313C.07	Wldmt-Pad, Mow Engage	1	
34	450017	Bolt-Hex M8 x 45	1	
35	002910540	Spring 14 x 1 x 2	1	
36	002590480	Tee-M/F/M 9/16 ORAS	1	
*	158061-18	• O-Ring	2	9/16" ORFS

STEERING TOWER

Illustration Number: 4152739-3

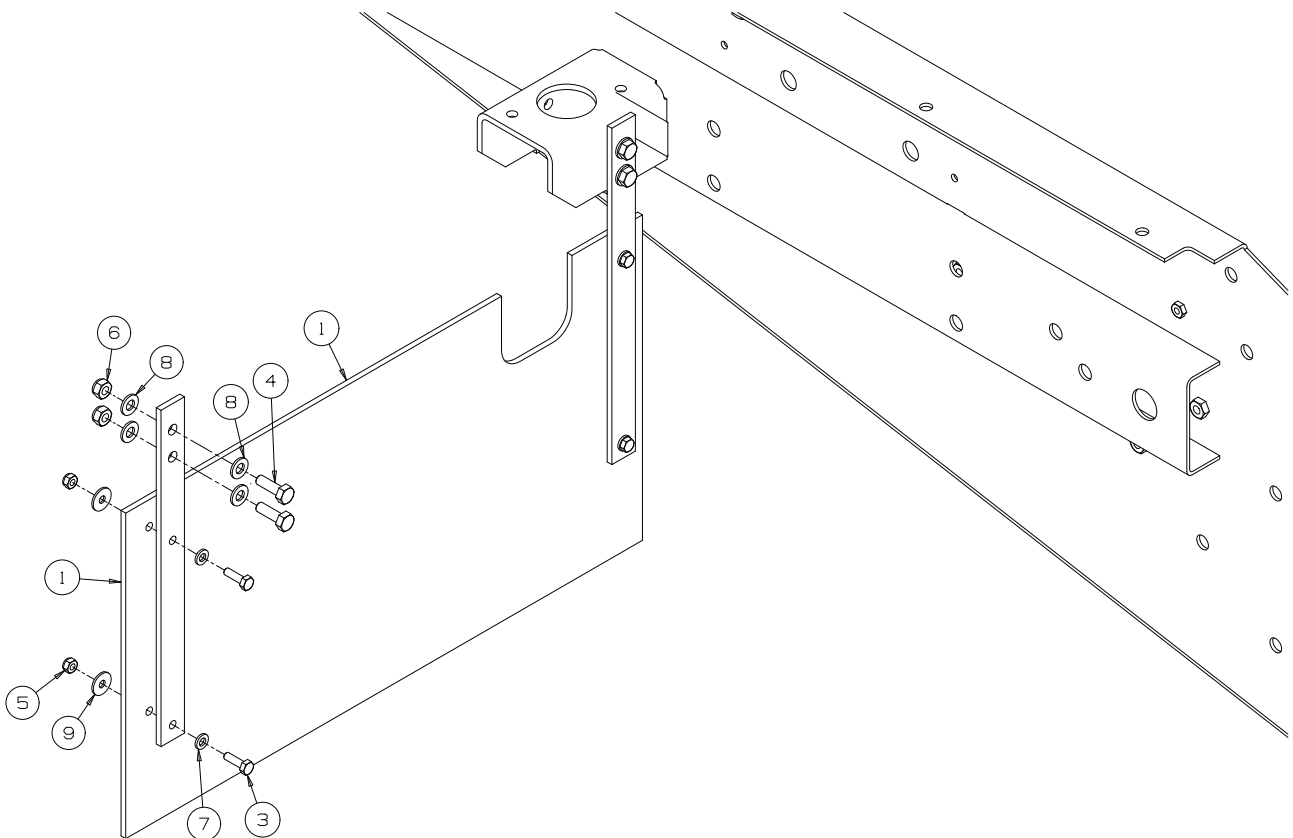


## STEERING TOWER

ITEM	PART NO.	DESCRIPTION	QTY.	
37	002590750	Ftg-9/16 ORFS x 1/4 BSPP	2	
*	158061-18	• O-Ring	1	9/16" ORFS
*	870000073	• Seal	1	1/4" BSP
38	008011210	Inline Check Valve	1	
39	4153583	Hose Assembly	1	Steer Valve 'L' Tee to Check Valve
40	4163580	Hose Assembly	1	Steer Valve 'L' To Bulkhead
41	4163581	Hose Assembly	1	Steer Valve 'R' To Bulkhead
42	4163582	Hose Assembly	1	Steer Valve 'P' To Cutter Pump
43	4163585	Hose Assembly	1	Check Valve to Brake Release Valve 'C'
44	4163586	Hose Assembly	1	Steer Valve 'T' To Return Manifold
45	4166700	Hose Assembly	1	Steer Valve 'E' To Lift Valve 'SP'
46	MBG4897	Anti-Slip-Switch Cover	1	
47	4138723	Steering Wheel Column Collar	1	
48	450940	Scrw-Set M4 x 4, Cup Pnt	4	

DEFLECTOR BRACKET

Illustration Number: 4164300

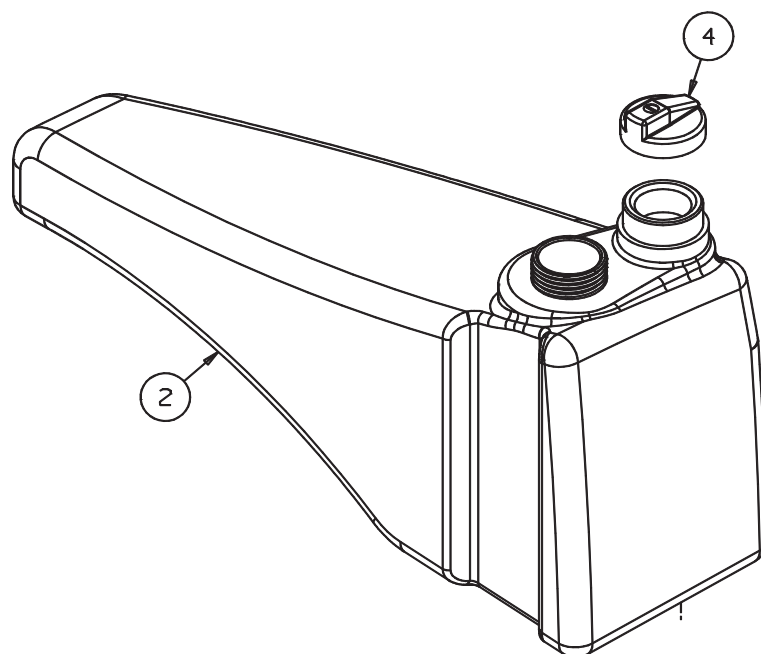


## DEFLECTOR BRACKET

ITEM	PART NO.	DESCRIPTION	QTY.	
1	4175600	Rubber Barrier	1	
2	4158282	Deflector Bracket	2	
3	450171	Scrw-Hex M6 x 20	4	
4	450192	Scrw-Hex M8 x 25	4	
5	450377	Nut-Hex M6 Nyloc	4	
6	450378	Nut-Hex M8 Nyloc	4	
7	450389	Wshr-M6 x 12.5 x 1.8	4	
8	450390	Wshr-M8 x 17 x 1.8	8	
9	452000237	Wshr-1/4 x 3/4 x .064	4	

FUEL TANK

Illustration Number: 4154580



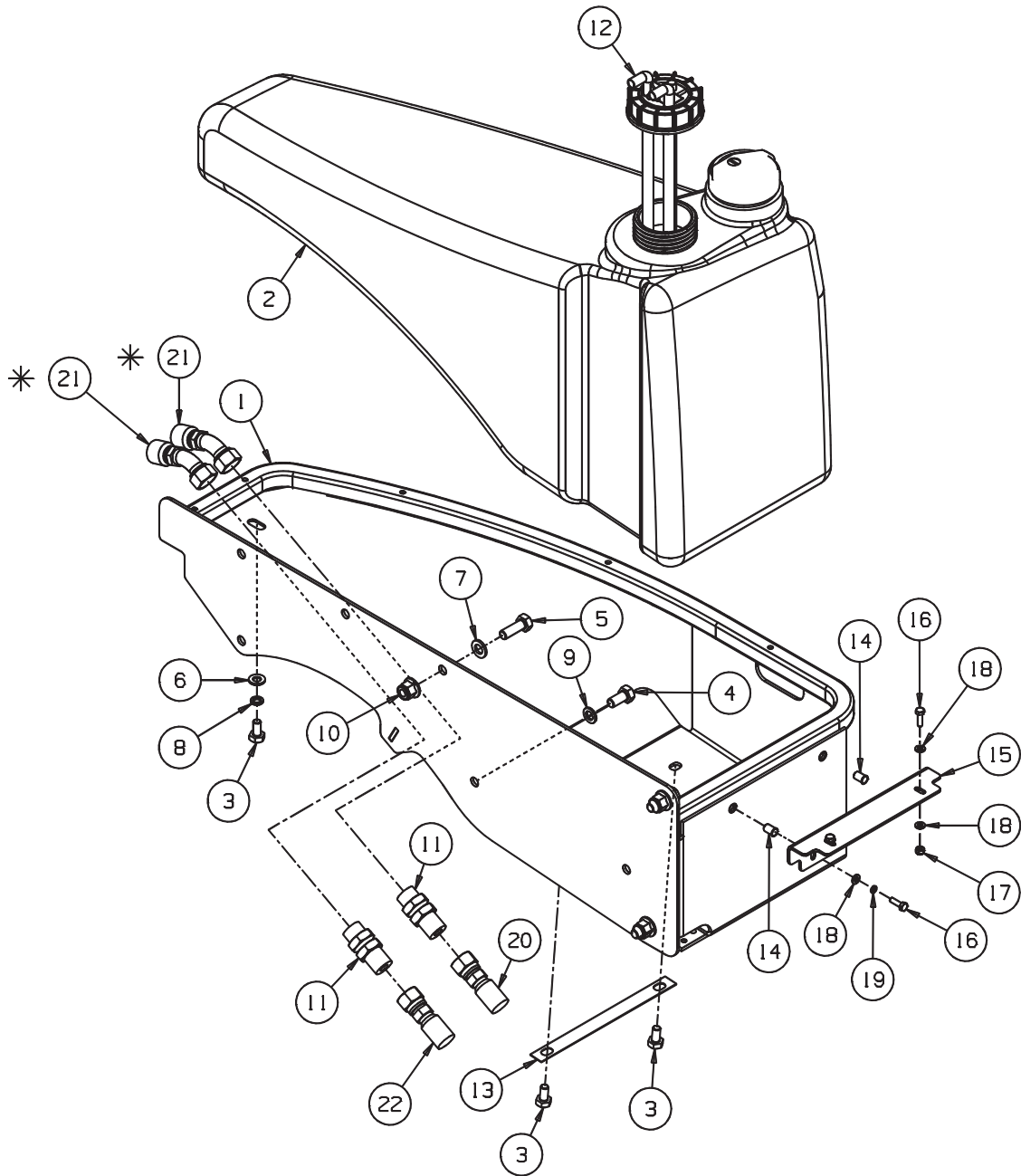


## FUEL TANK

ITEM	PART NO.	DESCRIPTION	QTY.	
2	4138575	Tank-Fuel	1	
4	4161500	Cap-Fuel Tank, Lockable	1	

FUEL TANK AND MOUNTING FRAME

Illustration Number: 4153117\_Rev\_G



\* ASSEMBLY PROCEDURE FOR WHEEL MOTOR HOSES

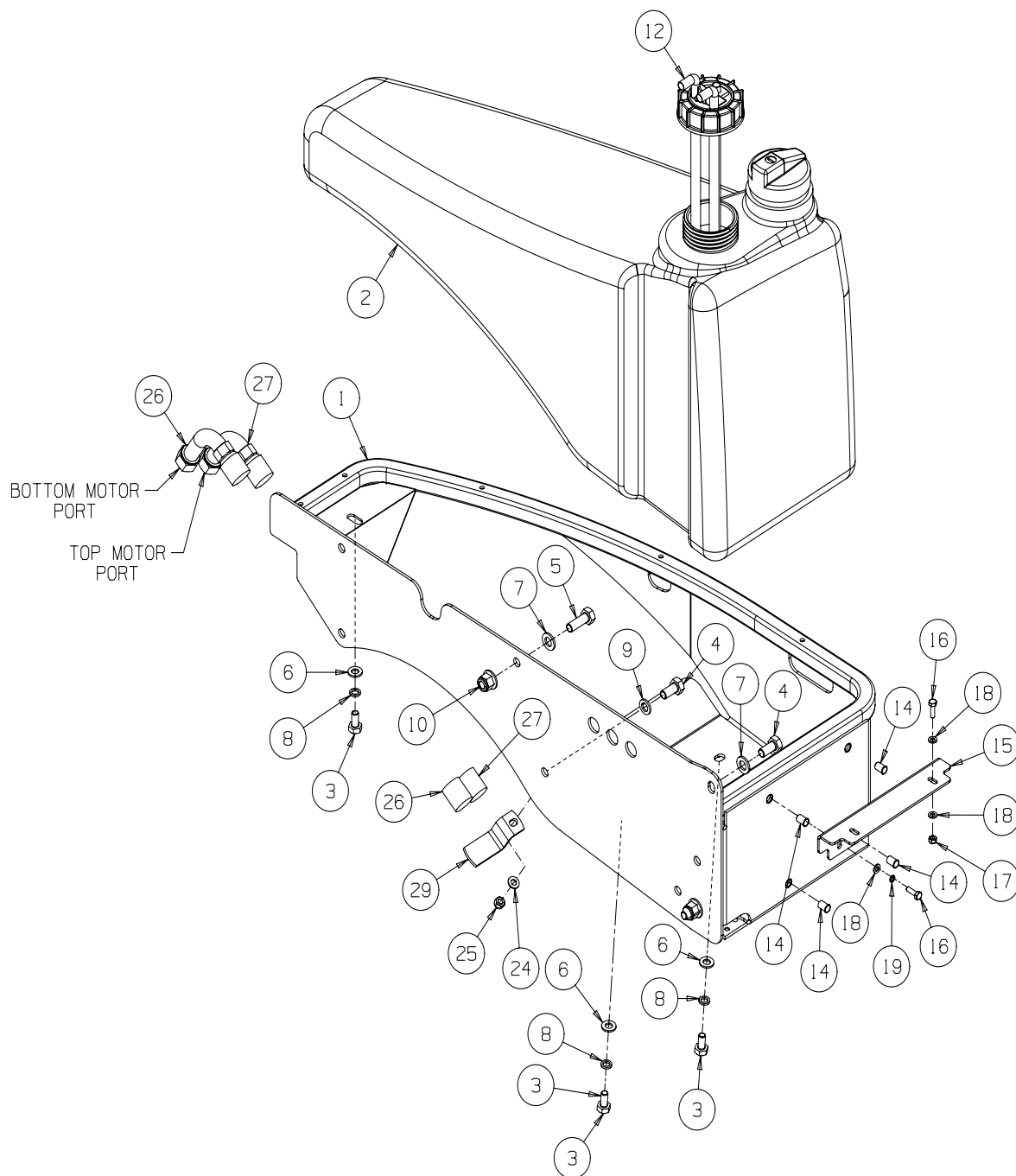
1. APPLY LOCTITE 542 (031955140) TO BULKHEAD FITTINGS AND WHEEL MOTOR FITTINGS.
2. ASSEMBLE 45° HOSE ENDS TO BULKHEAD FITTINGS AND TORQUE TO 65 Nm.
3. ASSEMBLE STRAIGHT HOSE ENDS TO WHEEL MOTOR FITTINGS AND TORQUE TO 65 Nm.
4. HOSES MUST RUN STRAIGHT AND BE FREE OF TWISTS.

## FUEL TANK AND MOUNTING FRAME

ITEM	PART NO.	DESCRIPTION	QTY.	
		Fitted up to FR000321/FY000311		
1	4148158	Wldmt-Tank Support LH	1	
2	4154580	Tank-Fuel, Fitted Assembly	1	Non Service Part
3	450213	Scrw-Hex M10 x 20	3	
4	450240	Scrw-Hex M12 x 25	1	
5	450242	Scrw-Hex M12 x 35	3	
6	450391	Wshr-M10 x 21 x 2.2	1	
7	450392	Wshr-M12 x 24 x 2.7	3	
8	450412	Wshr-SLW M10	1	
9	450424	Wshr-SLW M12	1	
10	452438	Nut-Hex M12 Flng Nyloc	3	
11	W158067-02	Blkhd 1-14 UNF ORS/ORS	2	
*	158061-08	• O-Ring	1	1" ORFS
12	4152958	Fuel Level Sender & Pick Up	1	
*	4163595	• Fuel Hose	1	Fuel Sender to In-Line Fuel Filter
*	4163596	• Fuel Hose	1	Fuel Sender to Engine Breather
13	4160843	Plate-Locking, Tanks	1	
14	450357	M6 Nutsert	2	
15	4163260	Bracket-Side Platform	1	
16	450171	Scrw-Hex M6 x 20	4	
17	450377	Nut-Hex M6 Nyloc	2	
18	450389	Wshr-M6 x 12.5 x 1.8	6	
19	450410	Wshr-SLW M6	2	
20	4163625	Hose Assembly	1	Bulkhead to Front LH Difflock Valve Tee
21	4163627	Hose Assembly	2	Bulkhead to Rear LH Wheel Motor
22	4163621	Hose Assembly	1	Bulkhead to Front LH Motor Tee

FUEL TANK AND MOUNTING FRAME-2

Illustration Number: 4153117



ASSEMBLY PROCEDURE FOR WHEEL MOTOR HOSES

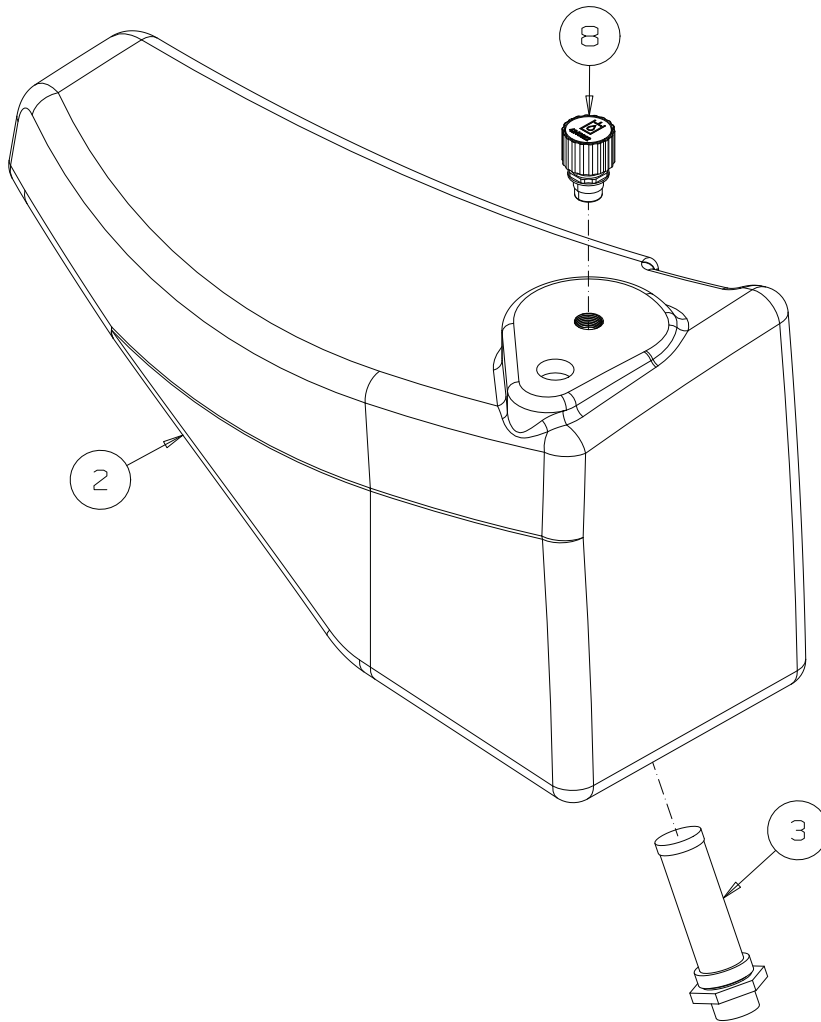
1. ASSEMBLE HOSE ENDS TO WHEEL MOTOR FITTINGS AND TORQUE TO 65 Nm.
2. HOSES MUST RUN STRAIGHT AND BE FREE OF TWISTS.

## FUEL TANK AND MOUNTING FRAME-2

ITEM	PART NO.	DESCRIPTION	QTY.	
		Fitted from FR000322/FY000312		
1	4174460	Wldmt-Tank Support LH	1	
2	4154580	Tank-Fuel, Fitted Assembly	1	Non Service Part
3	450213	Scrw-Hex M10 x 20	3	
4	450240	Scrw-Hex M12 x 25	2	
5	450242	Scrw-Hex M12 x 35	2	
6	450391	Wshr-M10 x 21 x 2.2	3	
7	450392	Wshr-M12 x 24 x 2.7	3	
8	450412	Wshr-SLW M10	3	
9	450424	Wshr-SLW M12	1	
10	452438	Nut-Hex M12 Flng Nyloc	3	
12	4152958	Fuel Level Sender & Pick Up	1	
*	4163595	• Fuel Hose	1	Fuel Sender to In-Line Fuel Filter
*	4163596	• Fuel Hose	1	Fuel Sender to Engine Breather
14	450357	M6 Nutsert	4	
15	4163260	Bracket-Side Platform	1	
16	450171	Scrw-Hex M6 x 20	4	
17	450377	Nut-Hex M6 Nyloc	2	
18	450389	Wshr-M6 x 12.5 x 1.8	6	
19	450410	Wshr-SLW M6	2	
23	4180320	P-Clip, 30 mm	2	To S/N FR000693 / FY000372
24	450390	Wshr-M8 x 17 x 1.8	1	
25		Nut-Hex M8 Nyloc	1	
26	4172003	Hose-LH Bottom Rear Motor Port	1	
27	4172001	Hose-RH Top Rear Motor Port	1	
28	4194222	Hose-Fuel Tank to Valve	1	Not illustrated
29	4242084	Bracket-Hose Support	1	From S/N FR000693 / FY000372

HYDRAULIC TANK

Illustration Number: 4154581

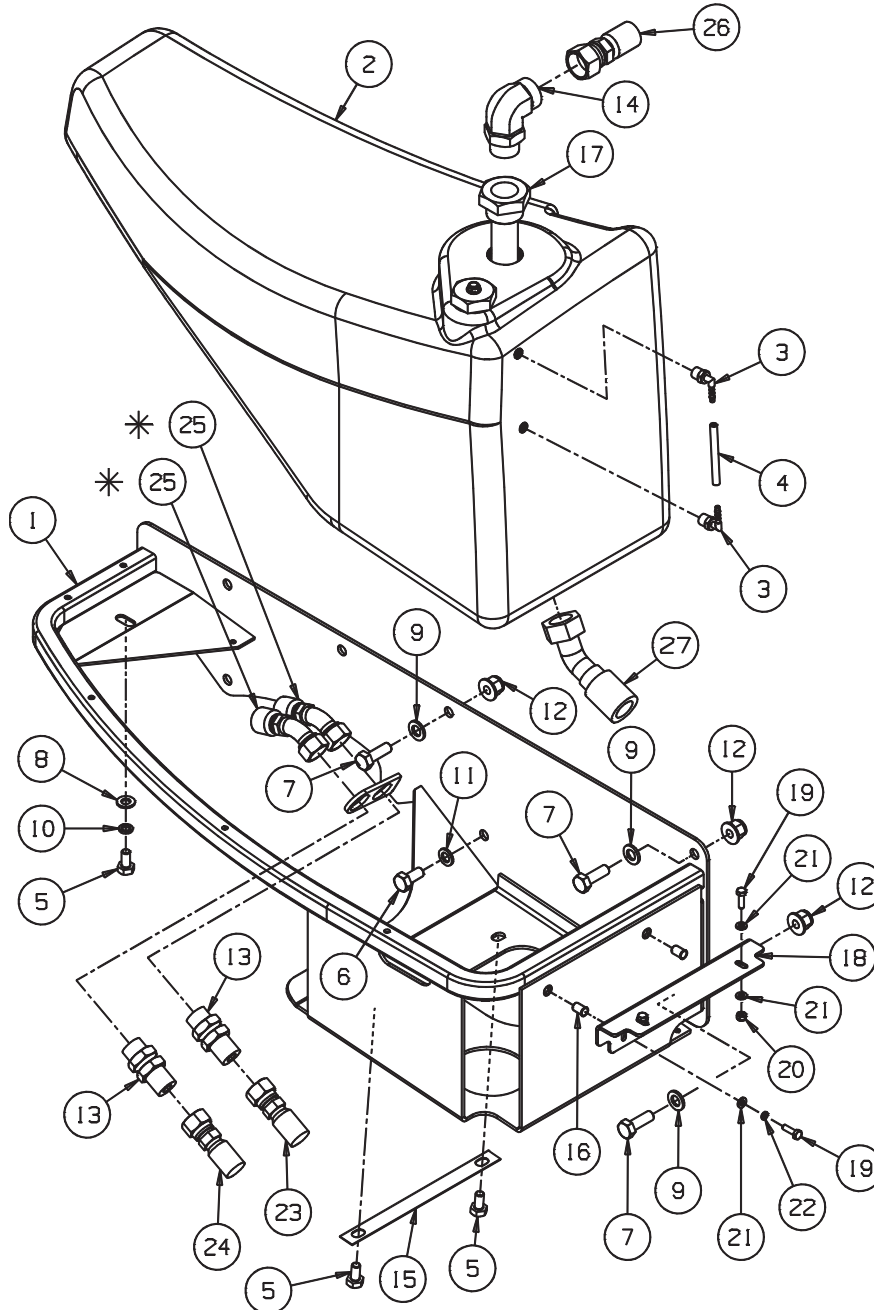


## HYDRAULIC TANK

ITEM	PART NO.	DESCRIPTION	QTY.	
2	4138574	Tank-Hydraulic	1	To S/N FR000322 & FY000312
3	4153597	Strainer-Suction, 125 Micron	1	
6	459005226	Magnetic Drain Plug	1	
8	4240922	Cap-Filler / Breather	1	

HYDRAULIC TANK AND MOUNTING FRAME (SIGHT GLASS)

Illustration Number: 4153042\_Rev\_G



\* ASSEMBLY PROCEDURE FOR WHEEL MOTOR HOSES

1. APPLY LOCTITE 542 (031955140) TO BULKHEAD FITTINGS AND WHEEL MOTOR FITTINGS.
2. ASSEMBLE 45° HOSE ENDS TO BULKHEAD FITTINGS AND TORQUE TO 65 Nm.
3. ASSEMBLE STRAIGHT HOSE ENDS TO WHEEL MOTOR FITTINGS AND TORQUE TO 65 Nm.
4. HOSES MUST RUN STRAIGHT AND BE FREE OF TWISTS.

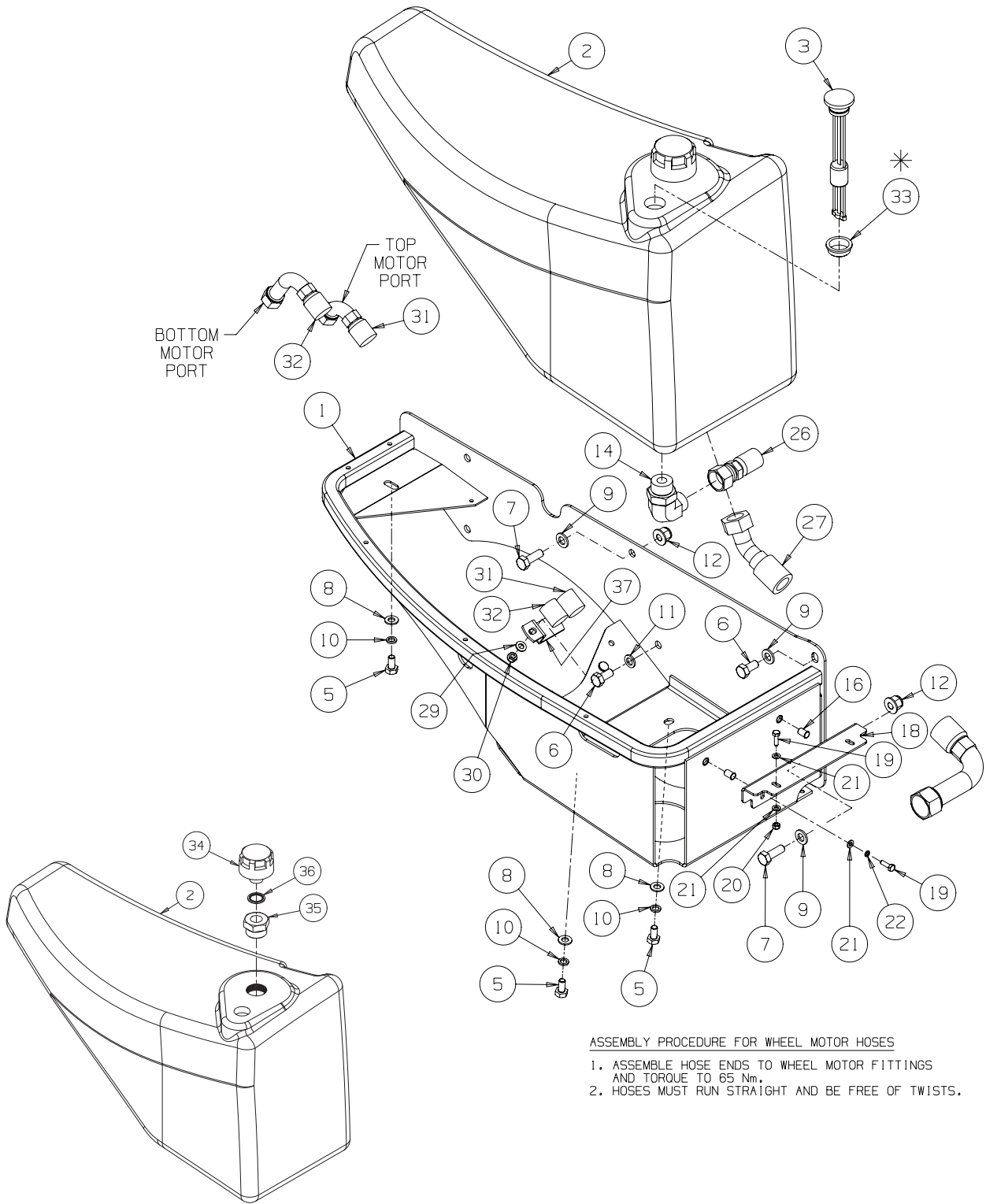


## HYDRAULIC TANK AND MOUNTING FRAME (SIGHT GLASS)

ITEM	PART NO.	DESCRIPTION	QTY.	
		Fitted up to FR000322/FY000312		
1	4148159	Wldmt-Tank Support RH	1	
2	4154581	Tank-Hydraulic, Fitted Assembly	1	Non Service Part
3	4161101	90-M/M 1/4 BSPT x 5 mm Barb	2	
4	4161661	Tube-Sight Glass	1	(80 mm Long)
5	450213	Scrw-Hex M10 x 20	3	
6	450240	Scrw-Hex M12 x 25	1	
7	450242	Scrw-Hex M12 x 35	3	
8	450391	Wshr-M10 x 21 x 2.2	1	
9	450392	Wshr-M12 x 24 x 2.7	3	
10	450412	Wshr-SLW M10	1	
11	450424	Wshr-SLW M12	1	
12	452438	Nut-Hex M12 Flng Nyloc	3	
13	W158067-02	Blkhd 1-14 UNF ORS/ORS	2	
*	158061-08	• O-Ring	2	1" ORFS
14	4161760	90-M/M 1-7/16 ORFS x 1-5/16 SAE	1	
*	158061-19	• O-Ring	1	1-7/16" ORFS
*	002218146	• O-Ring	1	1-5/16" SAE
15	4160843	Plate-Locking, Tanks	1	
16	450357	M6 Nutsert	2	
17	4161701	Return Tube / Plug	1	
18	4163260	Bracket-Side Platform	1	
19	450171	Scrw-Hex M6 x 20	4	
20	450377	Nut-Hex M6 Nyloc	2	
21	450389	Wshr-M6 x 12.5 x 1.8	6	
22	450410	Wshr-SLW M6	2	
23	4163626	Hose Assembly	1	Bulkhead to Front RH Difflock Valve Tee
24	4163621	Hose Assembly	1	Bulkhead to Front RH Motor Tee
25	4163622	Hose Assembly	2	Bulkhead to Rear RH Wheel Motor
26	4163629	Hose Assembly	1	Hydraulic Tank to Drain Manifold
27	4163630	Hose Assembly	1	Hydraulic Tank to Cutter Pump

HYDRAULIC TANK AND MOUNTING FRAME (OIL GAUGE)

Illustration Number: 4153042



ASSEMBLY PROCEDURE FOR WHEEL MOTOR HOSES  
 1. ASSEMBLE HOSE ENDS TO WHEEL MOTOR FITTINGS AND TORQUE TO 65 Nm.  
 2. HOSES MUST RUN STRAIGHT AND BE FREE OF TWISTS.

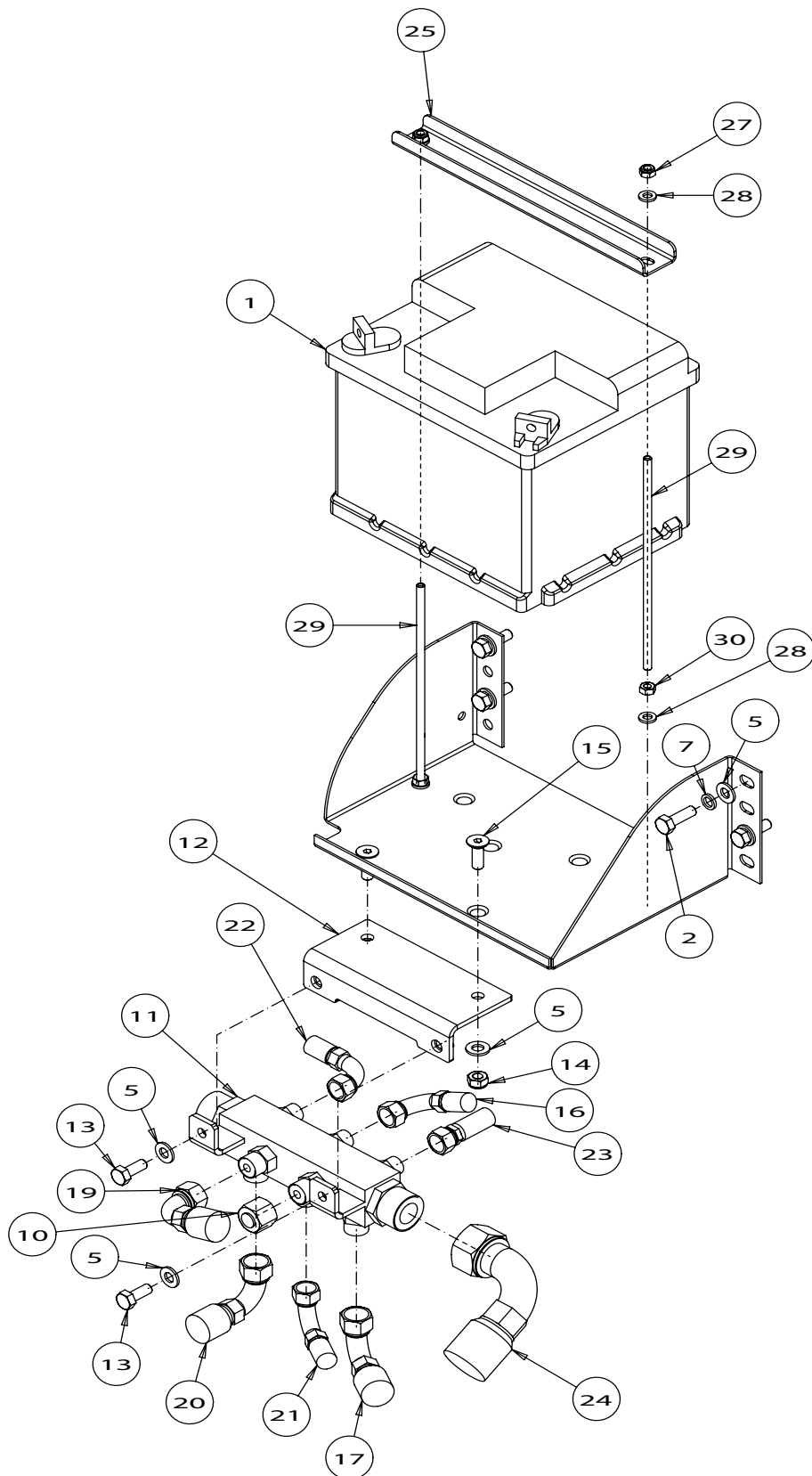
Item 35 (shown below) fitted from serial number FR000322/FY000312 to FR000xxx/FY000xxx.

## HYDRAULIC TANK AND MOUNTING FRAME (OIL GUAGE)

ITEM	PART NO.	DESCRIPTION	QTY.	
		Fitted from FR000322/FY000312		
1	4174461	Wldmt-Tank Support RH	1	
2	4154581	Tank-Hydraulic, Fitted Assembly	1	Non Service Part
3	009151460	Hydraulic Oil Guage	1	
5	450213	Scrw-Hex M10 x 20	3	
6	450240	Scrw-Hex M12 x 25	2	
7	450242	Scrw-Hex M12 x 35	2	
8	450391	Wshr-M10 x 21 x 2.2	2	
9	450392	Wshr-M12 x 24 x 2.7	3	
10	450412	Wshr-SLW M10	2	
11	450424	Wshr-SLW M12	1	
12	452438	Nut-Hex M12 Flng Nyloc	3	
14	4161760	90-M/M 1-7/16 ORFS x 1-5/16 SAE	1	
*	158061-19	• O-Ring	1	1-7/16" ORFS
*	002218146	• O-Ring	1	1-5/16" SAE
16	450357	M6 Nutsert	2	
17	4161701	Return Tube / Plug	1	
18	4163260	Bracket-Side Platform	1	
19	450171	Scrw-Hex M6 x 20	4	
20	450377	Nut-Hex M6 Nyloc	2	
21	450389	Wshr-M6 x 12.5 x 1.8	6	
22	450410	Wshr-SLW M6	2	
26	4163629	Hose Assembly	1	Hydraulic Tank to Drain Manifold
27	4163630	Hose Assembly	1	Hydraulic Tank to Cutter Pump
28	4180320	P-Clip, 30 mm	2	To S/N FR000693 / FY000372
29	450390	Wshr-M8 x 17 x 1.8	1	
30	450378	Nut-Hex M8 Nyloc	1	
31	4172002	Hose-RH Top Rear Motor Port	1	
32	4172000	Hose-RH Bottom Rear Motor Port	1	
33	2218147	Grommet-Gauge	1	
34	4175583	Cap, Filler/Breather	1	
35	4175602	Plug Adaptor-M42 x 3/4 BSP	1	Fitted up to serial numbers: FR000693 FY000372
36	870000104	3/4" BSP Dowty Seal	1	
37	4242084	Bracket-Hose Support	1	From S/N FR000693 / FY000372

BATTERY TRAY

Illustration Number: 4152857-2

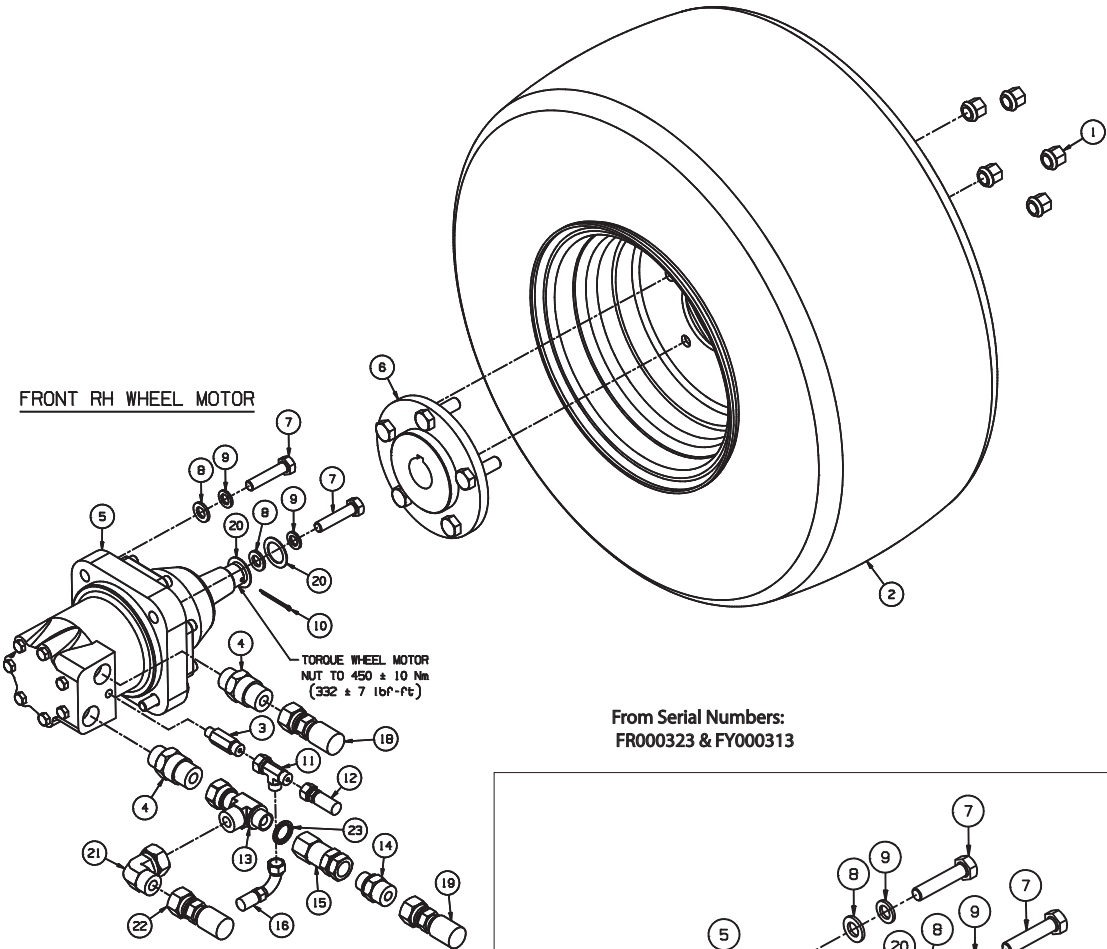


## BATTERY TRAY

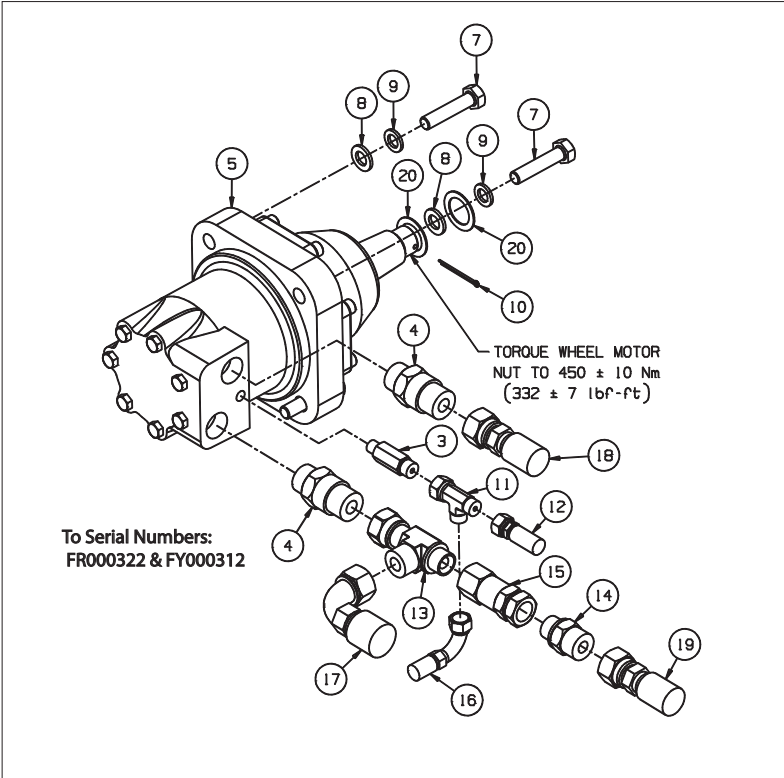
ITEM	PART NO.	DESCRIPTION	QTY.	
1	008230310	Battery-Type 093	1	
2	450192	Scrw-Hex M8 x 25	4	
5	450390	Wshr-M8 x 17 x 1.8	8	
7	450411	Wshr-Slw M8	4	
8	4238890	Battery Tray	1	From S/N FR000685 & FY000372
10	002568020	Cap-11/16 ORS	1	
11	4133036	Manifold	1	
*	158061-18	• O-Ring	4	9/16" ORFS
*	158061-01	• O-Ring	4	11/16" ORFS
•	158061-09	• O-Ring	2	1-3/16" ORFS
12	4163700	Manifold Bracket W/A	1	
13	450191	Scrw-Hex M8 x 20	2	
14	450378	Nut-Hex M8 Nyloc	2	
15	450866	Scrw-Sckt Csk M8 x 25	2	
16	4163586	Hose Assembly	1	Manifold to Steer Valve 'T'
17	4163589	Hose Assembly	1	Manifold to QR Bulkhead
18	4163598	Hose Assembly	1	Manifold to Oil Cooler
19	4163603	Hose Assembly	1	Manifold to Tee On Difflock 'T'
20	4163605	Hose Assembly	1	Manifold to Lift Valve 'CR'
21	4163634	Hose Assembly	1	Manifold to Cutter Valve 'DR'
22	4163624	Hose Assembly	1	Manifold to Rear RH Wheel Motor
				To Serial Numbers: FR000322 & FY000312
22	4173280	Hose-Manifold to RH Wheel Motor	1	From Serial Number: FR000323 & FY000313
23	4175940	Hose Assembly	1	Manifold to Rear LH Wheel Motor
24	4163629	Hose Assembly	1	Manifold to Hydraulic Oil Tank To S/N: FR000322 & FY000312
24	4173282	Hose Assembly	1	Manifold to Hydraulic Oil Tank From S/N: FR000323 & FY000313
*	4161520	Loom (Main Harness)	1	To S/N FR000322 & FY000312
*	4171184	Loom (Maun Harness)	1	From S/N FR000323 & FY000313
*	4161530	Battery Cable - Positive	1	
*	4161532	Battery Cable - Negative	1	
25	4235540	Channel-Battery Clamp	1	From S/N FR000685 & FY000372
27	450377	Nut-Hex M6 Nyloc	2	
28	450389	Wshr-M6 x 12.5 x 1.8	4	From S/N FR000685 & FY000372
29	MBF1290	Stud - M6 x 200	2	From S/N FR000685 & FY000372
30	450323	Nut - Hex M6	2	From S/N FR000685 & FY000372

FRONT WHEELS AND MOTORS RH

Illustration Number: 4152897-2+revb-rh



From Serial Numbers:  
FR000323 & FY000313

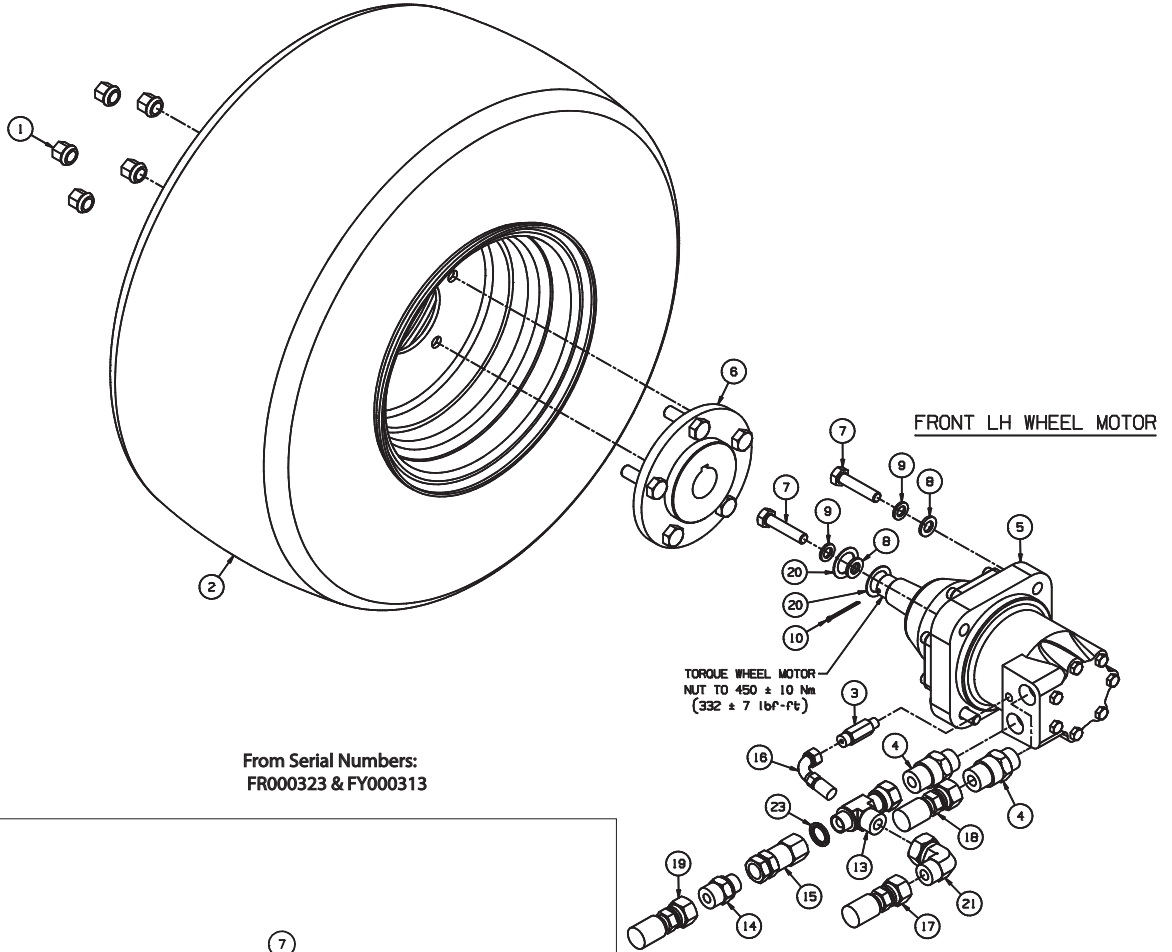


## FRONT WHEELS AND MOTORS RH

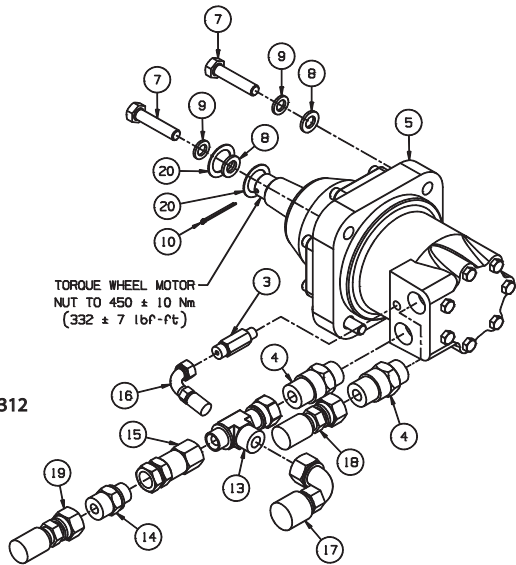
ITEM	PART NO.	DESCRIPTION	QTY.	
1	008008460	Wheel Nut, M14 Spherical	5	Torque 95 - 108NM
2	4237069	Wheel & Tyre Assy 26x12x12 5	1	
*	4233920	Tyre 26x12x12- 8 Ply	1	
*	4220441	Rim 12x10.5 I Contour	1	
*	4220940	Tubeless Tyre Valve Assy	1	
3	4127555	Ftg-Lg 9/16 ORS x 7/16 SAE	1	
*	158061-18	• O-Ring	1	9/16" ORFS
*	002218049	• O-Ring	1	7/16" SAE
4	4130606	Ftg-Lg 1 ORS x 1-1/16 SAE	2	
*	158061-08	• O-Ring	1	9/16" ORFS
*	002218120	• O-Ring	1	1-1/16" SAE
5	4130773	Motor-Wheel, Danfoss TMK200FL	1	
6	4138605	Wldmt-Wheel Hub, Front	1	
7	450051	Bolt-Hex M12 x 55	4	
8	450392	Wshr-M12 x 24 x 2.7	4	
9	450424	Wshr-Slw M12	4	
10	454000328	Split Pin-1/8 x 1-3/4	1	
11	002590480	Tee-M/F/M 9/16 ORS	1	
*	158061-18	• O-Ring	1	9/16" ORFS
12	4153632	Hose Assembly	1	
13	4163520	Tee-M/F/M 1"ORS-1"ORS-1/2"BSP	1	
*	158061-08	• O-Ring	1	1" ORFS
*	870000099	• Seal	1	1/2" BSP
14	4163528	Ftg-M/M 1 ORS x 7/8 SAE	1	
*	158061-08	• O-Ring	1	1" ORFS
*	002218104	• O-Ring	1	7/8" SAE
15	4163529	Check Valve-Inline 1/2" BSP	1	
*	870000099	• Seal	1	1/2" BSP
16	4163606	Hose Assembly	1	LH Motor Drain to RH Motor Drain
17	4163621	Hose Assembly	1	Motor Tee to Rear Motor Bulkhead To s/n: FR000322 & FY000312
17	4172001	Hose-LH Top Rear Motor Port	1	From s/n: FR000323 & FY000313
18	4163631	Hose Assembly	1	Motor to Difflock Valve
19	4167002	Hose Assembly	1	Difflock to Motor Check Valve
20	J345699	Wshr-1.015 x 1.465 x .046	1	
21	002590080	90-M/F 1" ORFS	1	From s/n: FR000323 & FY000313
*	158061-08	• O-Ring	1	1" ORFS
22	4172002	Hose-RH Top Rear Motor Port	1	From s/n: FR000323 & FY000313
23	002600850	1/2" BSP Dowty Washer	1	

FRONT WHEELS AND MOTORS LH

Illustration Number: 4152897-2+revb-lh



From Serial Numbers:  
FR000323 & FY000313



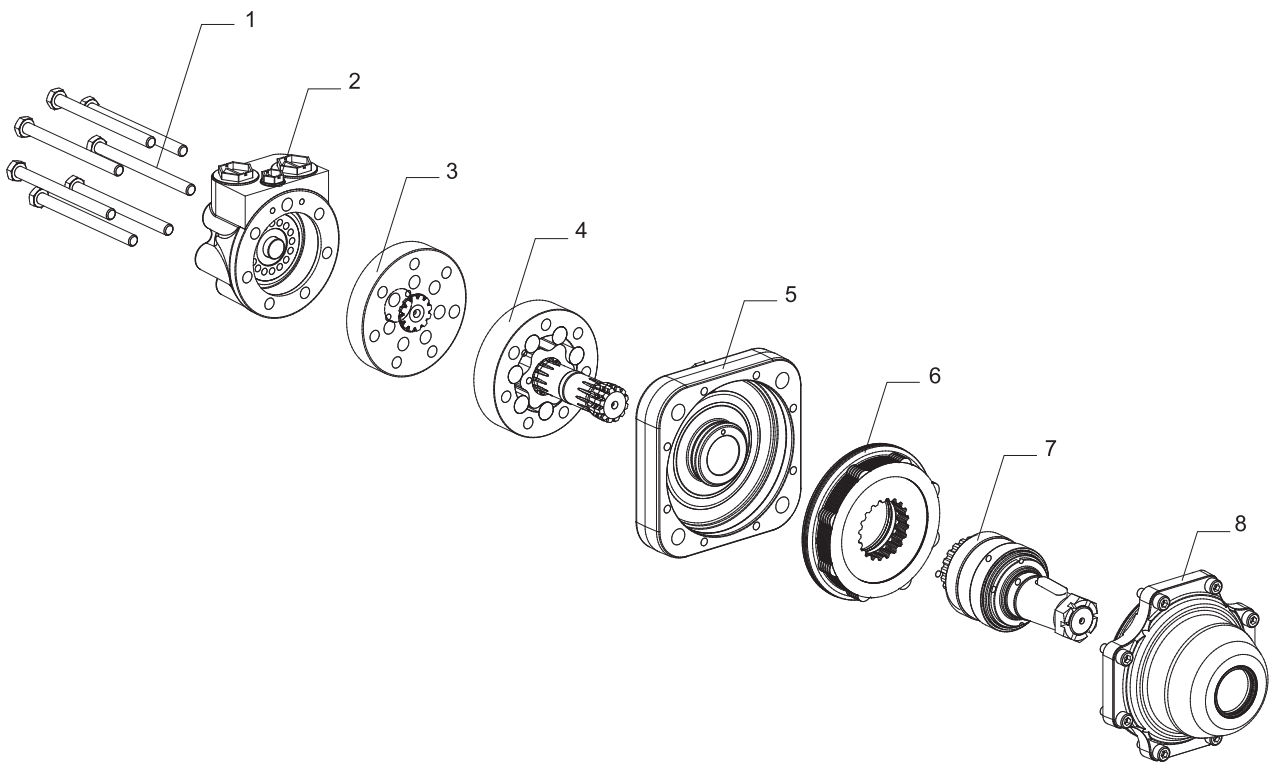


## FRONT WHEELS AND MOTORS LH

ITEM	PART NO.	DESCRIPTION	QTY.	
1	008008460	Wheel Nut, M14 Spherical	5	Torque 95 - 108NM
2	4237069	Wheel & Tyre Assy 26x12x12 5	1	
*	4233920	Tyre 26x12x12- 8 Ply	1	
*	4220441	Rim 12x10.5 I Contour	1	
*	4220940	Tubeless Tyre Valve Assy	1	
3	4127555	Ftg-Lg 9/16 ORS x 7/16 SAE	1	
*	158061-18	• O-Ring	1	9/16" ORFS
*	002218049	• O-Ring	1	7/16" SAE
4	4130606	Ftg-Lg 1 ORS x 1-1/16 SAE	2	
*	158061-08	• O-Ring	1	9/16" ORFS
*	002218120	• O-Ring	1	1-1/16" SAE
5	4130773	Motor-Wheel, Danfoss TMK200FL	1	
6	4138605	Wldmt-Wheel Hub, Front	1	
7	450051	Bolt-Hex M12 x 55	4	
8	450392	Wshr-M12 x 24 x 2.7	4	
9	450424	Wshr-Slw M12	4	
10	454000328	Split Pin-1/8 x 1-3/4	1	
13	4163520	Tee-M/F/M 1"ORS-1"ORS-1/2"BSP	1	
*	158061-08	• O-Ring	1	1" ORFS
*	870000099	• Seal	1	1/2" BSP
14	4163528	Ftg-M/M 1 ORS x 7/8 SAE	1	
*	158061-08	• O-Ring	1	1" ORFS
*	002218104	• O-Ring	1	7/8" SAE
15	4163529	Check Valve-Inline 1/2" BSP	1	
*	870000099	• Seal	1	1/2" BSP
16	4163606	Hose Assembly	1	LH Motor Drain to RH Motor Drain
17	4163621	Hose Assembly	1	Motor Tee to Rear Motor Bulkhead To s/n: FR000322 & FY000312
17	4172001	Hose-LH Top Rear Motor Port	1	From s/n: FR000323 & FY000313
18	4163631	Hose Assembly	1	Motor to Difflock Valve
19	4167002	Hose Assembly	1	Difflock to Motor Check Valve
20	J345699	Wshr-1.015 x 1.465 x .046	1	
21	002590080	90-M/F 1" ORFS	1	From s/n: FR000323 & FY000313
*	158061-08	• O-Ring	1	1" ORFS
23	002600850	1/2" BSP Dowty Washer	1	

FRONT WHEEL MOTOR, DANFOSS (4130773)

Illustration Number: 4130773



## FRONT WHEEL MOTOR, DANFOSS (4130773)

ITEM	PART NO.	DESCRIPTION	QTY.	
	4130773	Wheel Motor	1	
1	4134010	• Screw Module	1	
2	4134012	• End Cover	1	
3	4134013	• Valve Module	1	
4	4134014	• Gear Set	1	
5	4134015	• Mounting Flange Module	1	
6	4134016	• Brake Module	1	
7	4134018	• Shaft Module	1	
8	4134019	• Bearing Housing Module	1	
100	4134020	• Seal Kit	1	

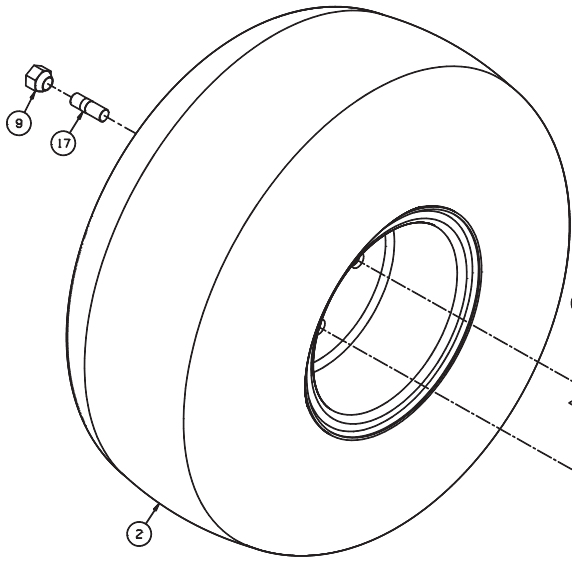
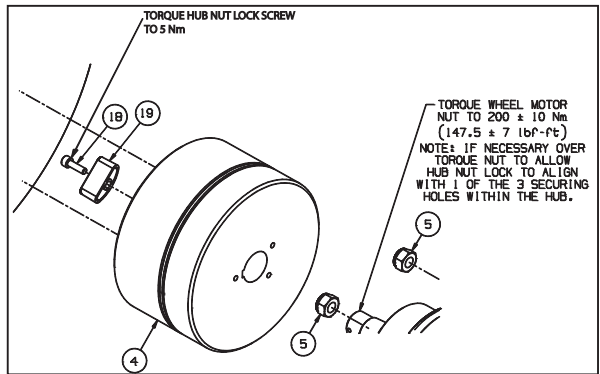
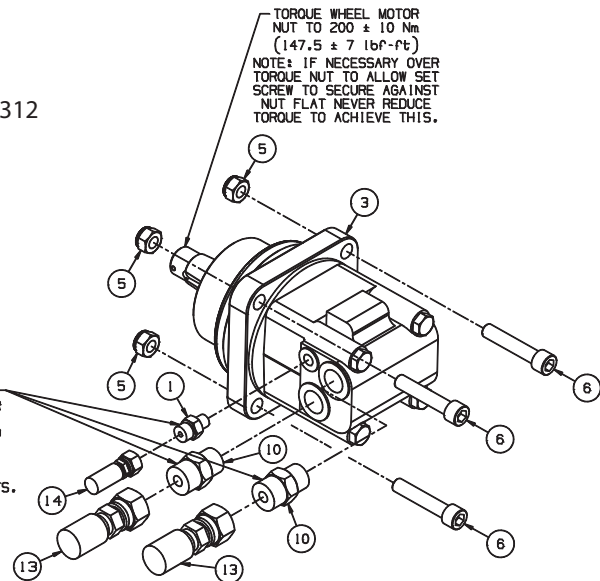
REAR WHEEL AND MOTOR LH

Illustration Number: 4152898-2-lh

To Serial Numbers:  
FR000322 & FY000312

ASSEMBLY PROCEDURE FOR WHEEL MOTOR HOSES

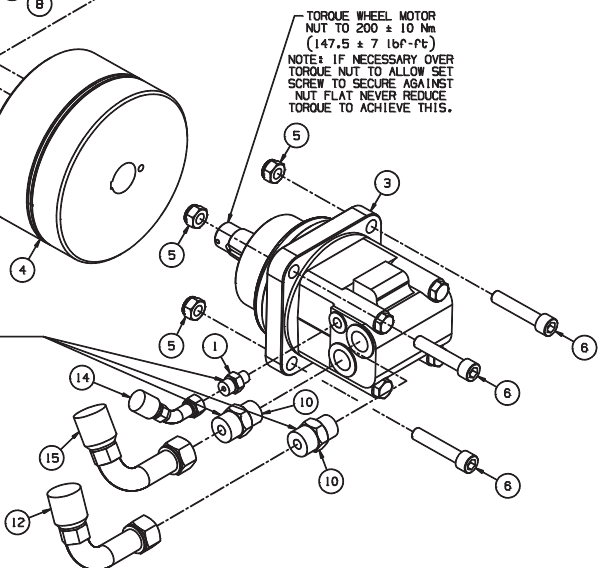
1. APPLY LOCTITE 542 (031955140) TO WHEEL MOTOR FITTINGS (HOSE END).
2. ASSEMBLE 45° HOSE ENDS TO TANK FRAME BULKHEAD FITTINGS AND TORQUE TO 65 Nm.
3. ASSEMBLE STRAIGHT HOSE ENDS TO WHEEL MOTOR FITTINGS AND TORQUE TO 65 Nm.
4. HOSES MUST RUN STRAIGHT AND BE FREE OF TWISTS.



REAR LH WHEEL MOTOR

ASSEMBLY PROCEDURE FOR WHEEL MOTOR HOSES

1. APPLY LOCTITE 542 (031955140) TO WHEEL MOTOR FITTINGS (HOSE END).
2. ASSEMBLE 90° HOSE ENDS TO WHEEL MOTOR FITTINGS AND TORQUE TO 65 Nm.
3. ASSEMBLE STRAIGHT HOSE ENDS AND TORQUE TO 65 Nm.
4. HOSES MUST RUN STRAIGHT AND BE FREE OF TWISTS.

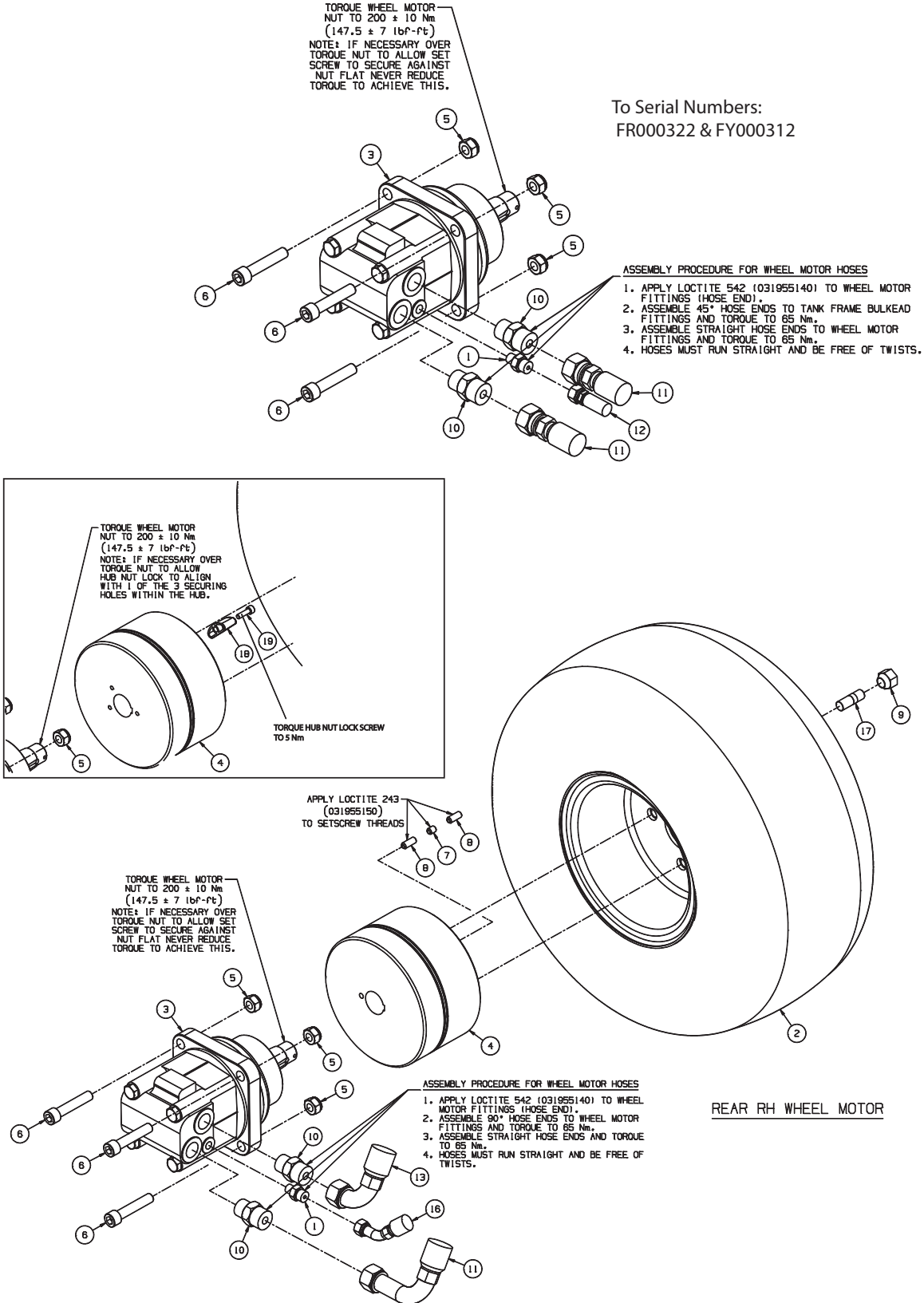


## REAR WHEEL AND MOTOR LH

ITEM	PART NO.	DESCRIPTION	QTY.	
1	002515000	Ftg-9/16 ORS x 7/16 SAE	2	
*	158061-18	• O-Ring	1	9/16" ORFS
*	002218049	• O-Ring	1	7/16" SAE
2	4237070	Wheel & Tyre Assy 20x10x8	2	
*	4233962	• Tyre 20x10x8	1	
*	4257491	Rim 8x7 I Contour 4 Bolt O/set 89	1	
*	4220940	• Tubeless Tyre Valve Assy	1	
3	4139426	Motor-Wheel, Danfoss OMSW 160	2	
*	008162480	• Wheel Rim 7.00x8x3 Thk	1	
*	008170930	• Tyre 20 x 10.00 - 8 Multitrac CS	1	
4	4153041	Wheel Hub, Rear	2	To Serial Number: FR000557 & FY000353
4	4192803	Wheel Hub, Rear	2	From Serial Number: FR000558 & FY000354
5	450380	Nut-Hex M12 Nyloc	8	
6	450760	Capscrew-Sckt M12 x 60	8	
7	450968	Scrw-Set M8 x 10, Cup Pnt	2	To Serial Number: FR000557 & FY000353
8	450971	Scrw-Set M8 x 20, Cup Pnt	4	To Serial Number: FR000557 & FY000353
9	001341110	Nut-Whl 1/2-20 60D	8	Torque 95 - 108NM
10	W158006-07	Ftg-M/M 1 ORS X 7/8 SAE	4	
*	158061-08	• O-Ring	1	1" ORFS
*	002218104	• O-Ring	1	7/8" SAE
11	4163622	Hose Assembly	2	To Serial Numbers: FR000322 & FY000312
11	4172000	Hose-RH Bottom Rear Motor Port	1	From Serial Number: FR000323 & FY000313
12	4163624	Hose Assembly	1	To Serial Number: FR000322 & FY000312
12	4172001	Hose-LH Top Rear Motor Port	1	From Serial Number: FR000323 & FY000313
13	4163627	Hose Assembly	2	To Serial Number: FR000322 & FY000312
13	4172002	Hose-RH Top Rear Motor Port	1	From Serial Number: FR000323 & FY000313
14	4163628	Hose Assembly	1	To Serial Number: FR000383 & FY000313
14	4175940	Hose-Manifold to LH Wheel Motor	1	From: FR000384 & FY000314
15	4172003	Hose-LH Bottom Rear Motor Port	1	From Serial Number: FR000323 & FY000313
16	4173280	Hose-Manifold to RH Wheel Motor	1	From Serial Number: FR000323 & FY000313
17	456800237	Stud-1/2-20 x 1-1/2	8	
18	4183560	Capscrew-Sckt M8x20 c/w Tuflok 180	1	From Serial Number: FR000558 & FY000354
19	4192800	Hub, Wheel Lock	1	From Serial Number: FR000558 & FY000354

REAR WHEEL AND MOTOR RH

Illustration Number: 4152898-3-rh

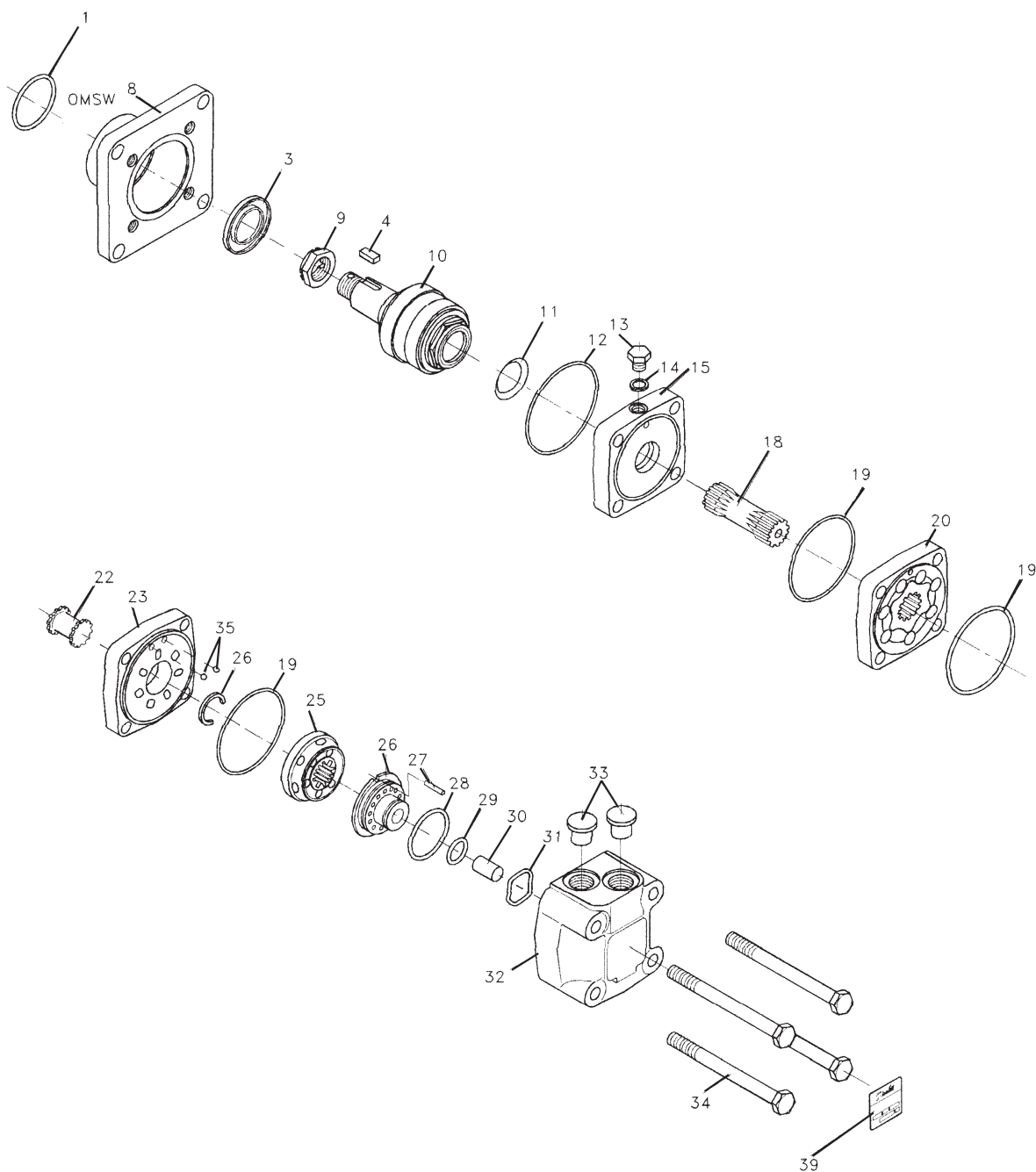


## REAR WHEEL AND MOTOR RH

ITEM	PART NO.	DESCRIPTION	QTY.	
1	002515000	Ftg-9/16 ORS x 7/16 SAE	2	
*	158061-18	• O-Ring	1	9/16" ORFS
*	002218049	• O-Ring	1	7/16" SAE
2	4237070	Wheel & Tyre Assy 20x10x8	2	
*	4233962	• Tyre 20x10x8	1	
*	4257491	Rim 8x7 I Contour 4 Bolt O/set 89	1	
*	4220940	• Tubeless Tyre Valve Assy	1	
3	4139426	Motor-Wheel, Danfoss OMSW 160	2	
*	008162480	• Wheel Rim 7.00x8x3 Thk	1	
*	008170930	• Tyre 20 x 10.00 - 8 Multitrac CS	1	
4	4153041	Wheel Hub, Rear	2	To Serial Number: FR000557 & FY000353
4	4192803	Whee Hub, Rear	2	From Serial Number: FR000558 & FY000354
5	450380	Nut-Hex M12 Nyloc	8	
6	450760	Capscrw-Sckt M12 x 60	8	
7	450968	Scrw-Set M8 x 10, Cup Pnt	2	To Serial Number: FR000557 & FY000353
8	450971	Scrw-Set M8 x 20, Cup Pnt	4	To Serial Number: FR000557 & FY000353
9	001341110	Nut-Whl 1/2-20 60D	8	Torque 95 - 108NM
10	W158006-07	Ftg-M/M 1 ORS X 7/8 SAE	4	
*	158061-08	• O-Ring	1	1" ORFS
*	002218104	• O-Ring	1	7/8" SAE
11	4163622	Hose Assembly	2	To Serial Number: FR000322 & FY000312
11	4172000	Hose-RH Bottom Rear Motor Port	1	From Serial Number: FR000323 & FY000313
12	4163624	Hose Assembly	1	To Serial Number: FR000322 & FY000312
12	4172001	Hose-LH Top Rear Motor Port	1	From Serial Number: FR000323 & FY000313
13	4163627	Hose Assembly	2	LH Motor to Bulkhead To Serial Number: FR000322 & FY000312
13	4172002	Hose-RH Top Rear Motor Port	1	From Serial Number: FR000323 & FY000313
14	4163628	Hose Assembly	1	To Serial Number: FR000383 & FY000313
14	4175940	Hose-Manifold to LH Wheel Motor	1	From Serial Number: FR000384 & FY000314
15	4172003	Hose-LH Bottom Rear Motor Port	1	From Serial Number: FR000323 & FY000313
16	4173280	Hose-Manifold to RH Wheel Motor	1	From Serial Number: FR000323 & FY000313
17	456800237	Stud-1/2-20 x 1-1/2	8	
18	4183560	CapscREW-Sckt M8x20 c/w Tuflok 180	1	From Serial Number: FR000558 & FY000354
19	4192800	Hub, Wheel Lock	1	From Serial Number: FR000558 & FY000354

REAR WHEEL MOTOR, DANFOSS OMSW160 (4139426)

Illustration Number: 4139426



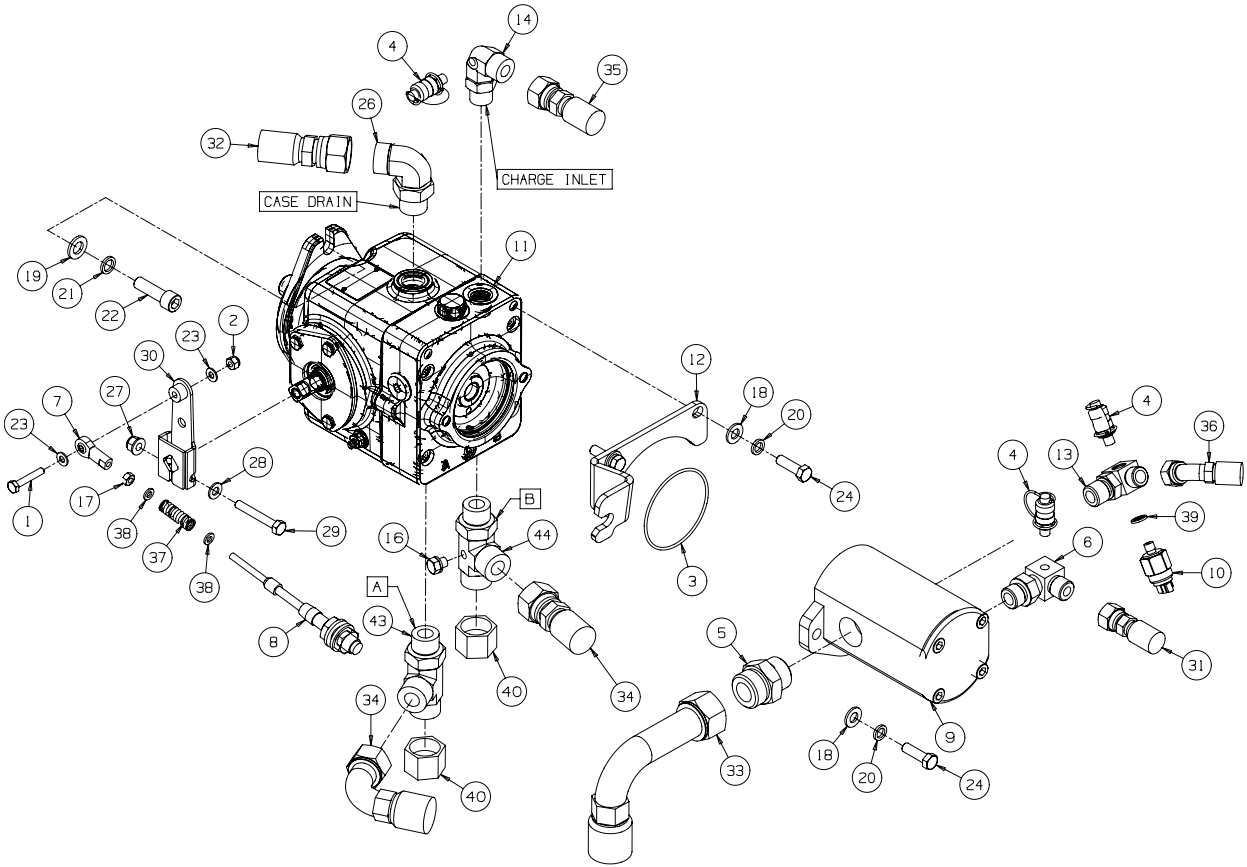


## REAR WHEEL MOTOR, DANFOSS OMSW160 (4139426)

ITEM	PART NO.	DESCRIPTION	QTY.	
	4139426	Motor-Wheel, Danfoss OMSW 160	1	
1	+	• O Ring	1	
3	+	• Shaft Seal	1	
4	008007810	• Parallel Key 5/16 x 5/16 x 1 1/4	1	
8		• Bearing Housing	1	
9	008007820	• Castellated Nut (1-20 UNEF)	1	
10		• Shaft	1	
11	+	• Seal Ring	1	
12	+	• O Ring	1	
13		• Drain Plug G $\frac{1}{4}$ (ISO228/1)	1	
14		• Washer 13.5 x 17.5 x 1.5 mm	1	
15		• Intermediate Plate	1	
18		• Cardan Shaft	1	
19	+	• O Ring	3	
20		• Gear Wheel Set	1	
22		• Valve Drive	1	
23		• Channel Plate	1	
25		• Disc Valve	1	
26		• Balance Plate	1	
27		• Guide Pin 4 mm Dia x 20 mm Lg	1	
28	+	• O Ring	1	
29	+	• O Ring	1	
30		• Spacer	1	
31		• Spring Washer	1	
32	N/A	• Valve Housing	1	
33		• Seal Plug	2	
34		• Bolt	4	
35		• Guide Pin 4 mm Dia x 6 mm Lg	1	
39	N/A	• Name Plate	1	
		Items Marked + Part of		
100	002300620	• Seal Kit	1	Items : 1,3,11,12,19,28 & 29

PUMPS

Illustration Number: 4139460-2



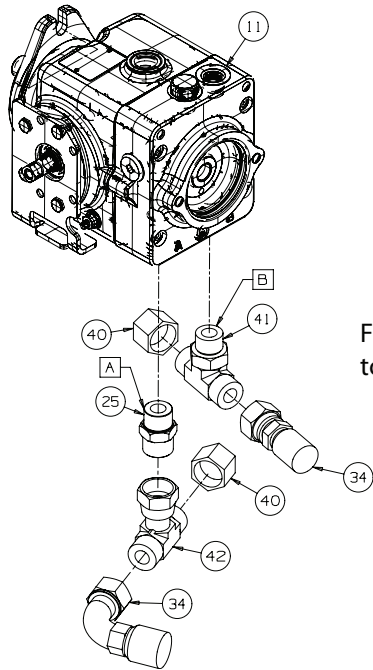
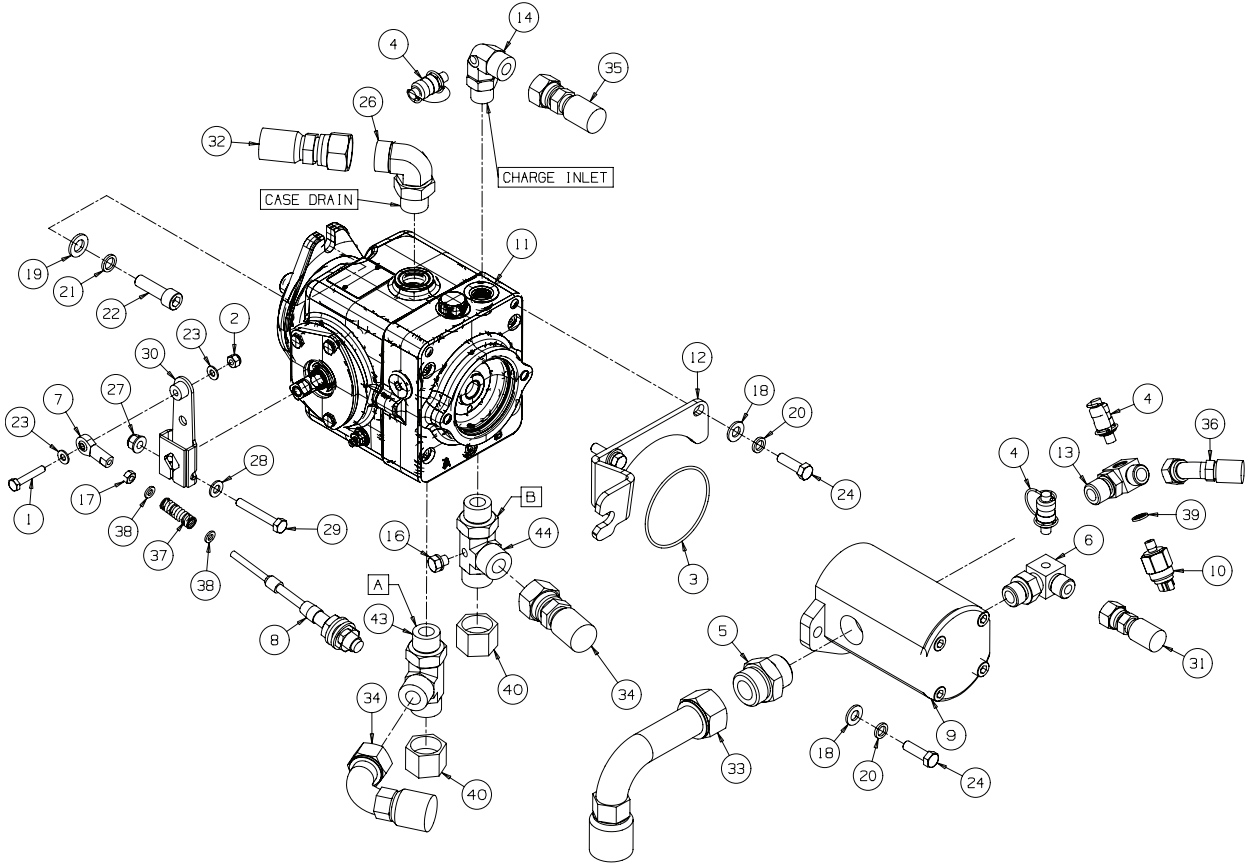
Fittings shown fitted from serial no. FR000500/FY000348 to FR000689 FY000371

## PUMPS

ITEM	PART NO.	DESCRIPTION	QTY.	
1	001090113	Bolt-Hex 1/4-20 X 1-1/2	1	
2	001399121	Nut-Hex 1/4-28 Nyloc	1	
3	002211520	O-Ring 82.22 ID x 2.62 Sect	1	
4	002449048	Test Point-1/8 BSPP x M16	3	
*	870000065	• Seal	1	1/8" BSP
5	002515050	Ftg-1-7/16 ORFS x 1-5/16 SAE	1	
*	158061-19	• O-Ring	1	1-7/16" ORFS
*	002218146	• O-Ring	1	1-5/16" SAE
6	4171621	90-M/M/F 13/16ORSx7/8SAE x1/8BSPP	1	
*	158061-02	• O-Ring	1	13/16" ORFS
*	002218104	• O-Ring	1	7/8" SAE
*	870000065	• Seal	1	1/8" BSP
7	128079	1/4" Rod End	1	
8	4237903	Control Cable	1	
9	4177940	Pump-Cutter & Steering	1	
10	4198560	Pressure Switch	1	
11	4162660	LPV 35cc Axial Piston Pump	1	
12	4163140	Bracket-Cable Abutment	1	
13	4163460	90-13/16ORSx7/8SAEx1/8BSPP(2)	1	
*	158061-02	• O-Ring	1	13/16" ORFS
*	002218104	• O-Ring	1	7/8" SAE
*	870000065	• Seal	1	1/8" BSP
14	4163500	90-M/M 1 ORS x 7/8 SAE + 1/8 BSP	1	
*	158061-08	• O-Ring	1	1" ORFS
*	002218104	• O-Ring	1	7/8" SAE
*	870000065	• Seal	1	1/8" BSP
15	4163530	90-M/M 1-3/16 ORFS x 1-1/16 SAE + 1/8 BSP	1	to serial no. FR000499 and FY000347
*	158061-09	• O-Ring	1	1-3/16" ORFS
*	002218120	• O-Ring	1	1-1/16" SAE
*	870000065	• Seal	1	1/8" BSP
16	4163531	1/8" BSP Plug	1	
*	870000065	• Seal	1	1/8" BSP
17	450020037	Nut-Hex 1/4-28	1	
18	450391	Wshr-M10 x 21 x 2.2	4	
19	450392	Wshr-M12 x 24 x 2.7	2	
20	450412	Wshr-SLW M10	4	
21	450413	Wshr-SLW M12	2	

PUMPS

Illustration Number: 4139460-2



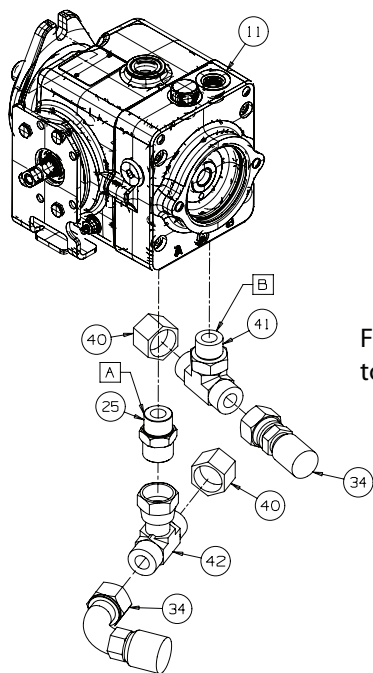
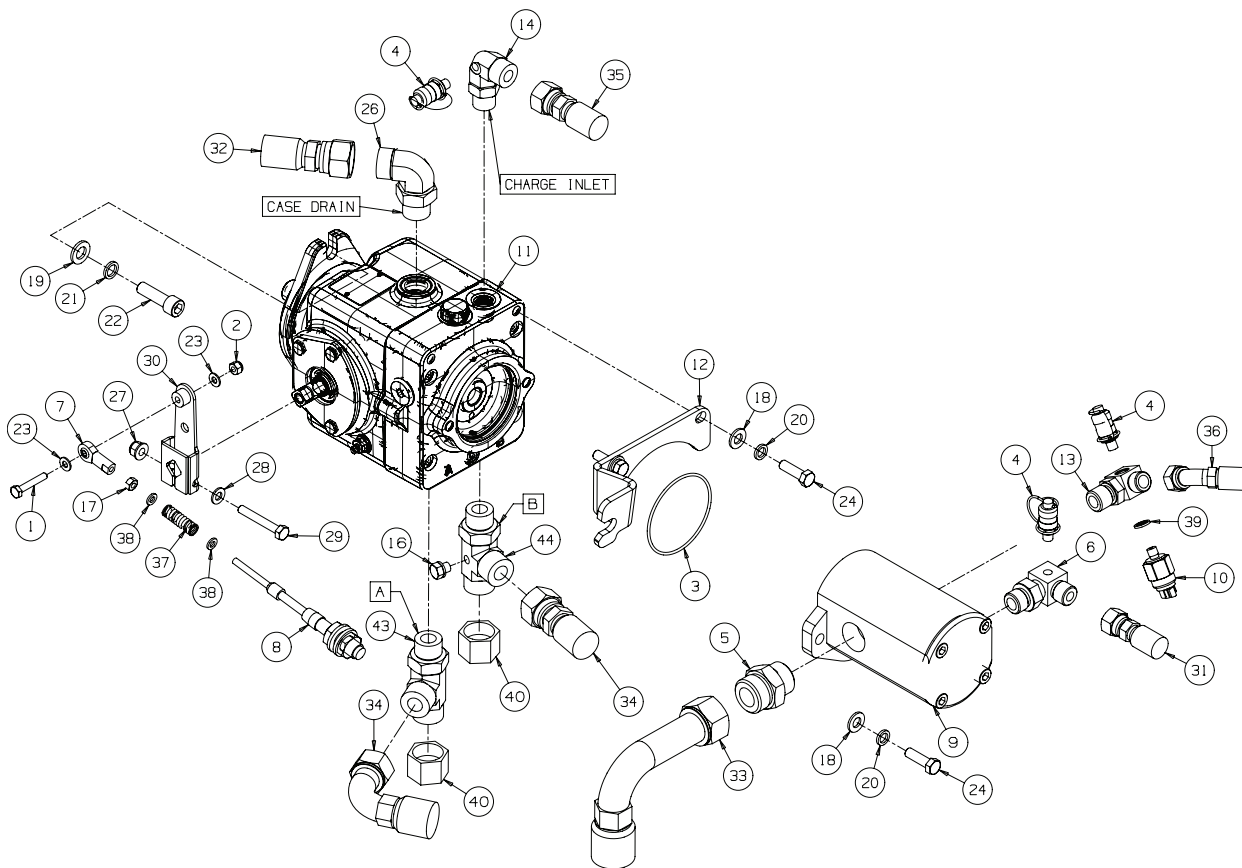
Fittings shown fitted from serial no. FR000500/FY000348 to FR000689 FY000371

## PUMPS

ITEM	PART NO.	DESCRIPTION	QTY.	
22	450756	Capscrw-Sckt M12 x 40	2	
23	452000211	Wshr-1/4 x 9/16 x .056	2	
24	456110066	Scrw-Hex 3/8-16 x 1	4	
25	W158006-08	Ftg-M/M 1-3/16 ORS x 1-1/16 SAE	1	
*	158061-09	• O-Ring	1	1-3/16" ORFS
*	002218120	• O-Ring	1	1-1/16" SAE
26	W158007-07	90-M/M 1-3/16 ORFS x 1-1/16 SAE	1	
*	158061-09	• O-Ring	1	1-3/16" ORFS
*	002218120	• O-Ring	1	1-1/16" SAE
27	452436	Nut-Hex M8 Fing Nyloc	1	
28	450390	Wshr-M8 x 17 x 1.8	1	
29	450019	Bolt-Hex M8 x 55	1	
30	4168240	Wldmt-Control Lever	1	to serial no. FR000485 and FY000347
30	4181923	Wldmt-Control Lever	1	from serial no. FR000486 and FY000348
31	4163582	Hose Assembly	1	Cutter Pump to Steer Valve 'P'
32	4163597	Hose Assembly	1	Transmission Pump Case Drain to Oil Cooler
33	4163630	Hose Assembly	1	Cutter Pump to Hydraulic Tank
34	4163633	Hose Assembly	2	Transmission Pump 'A' to Difflock 'A' & Transmission Pump 'B' to Difflock 'B'
35	4163635	Hose Assembly	1	Transmission Pump Charge Inlet to Filter 'OUT'
36	4163636	Hose Assembly	1	Cutter Pump to Cutter Valve 'CP'
37	0029105859	Sprg-Comp 11.13 x 1.42 x 38.1	1	
38	450389	Wshr-M6 x 12.5 x 1.8	2	
39	870000065	1/8 BSP Dowty Washer	1	
40	4139161	ORFS CAP 1-3/16" - 12 1-1/16 SAE	1	
41	4188084	Tee-M/M/M 1-3/16 ORS (2) x 1-1/16 SAE	1	
*	158061-09	• O-Ring	2	1-3/16" ORFS
*	002218120	• O-Ring	1	1-1/16" SAE
42	69057-02	Tee-M/F/M 1-3/16 ORS x 1-1/16 SAE	1	
*	158061-09	• O-Ring	2	1-3/16" ORFS

PUMPS

Illustration Number: 4139460-2

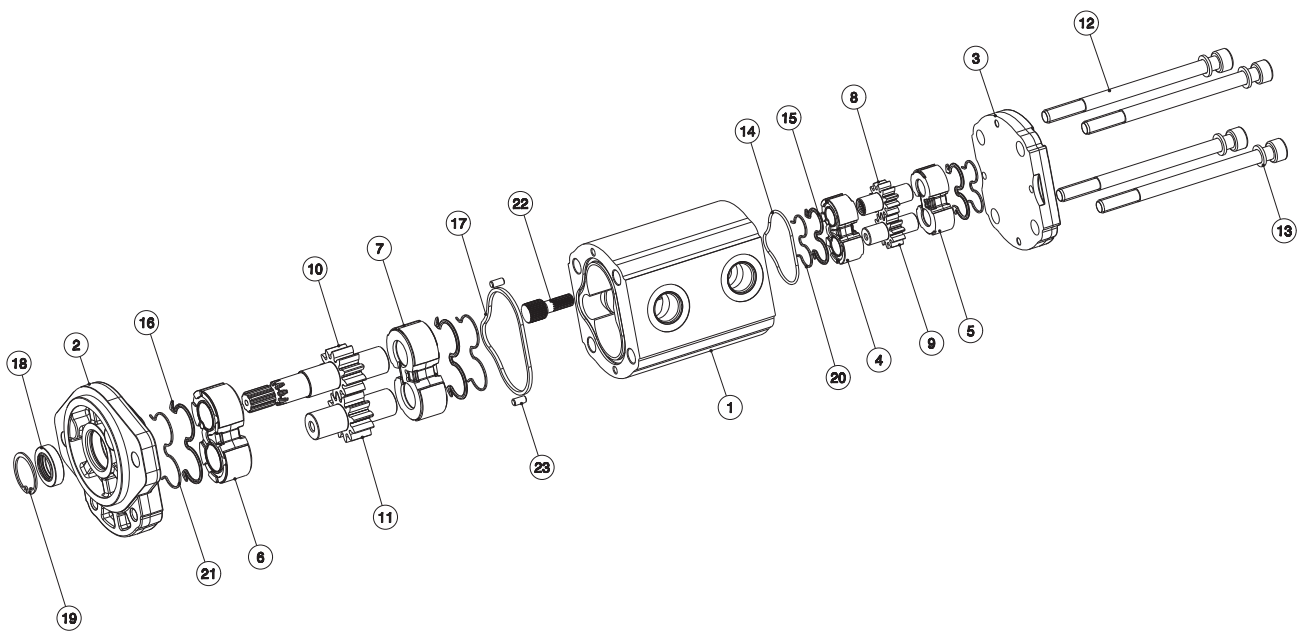


Fittings shown fitted from serial no. FR000500/FY000348 to FR000689 FY000371

## PUMPS

ITEM	PART NO.	DESCRIPTION	QTY.	
43	158056-03	Tee-M/MM 1-3/16 ORS (2) x 1-1/16 SAE	1	from serial no. FR000xxx and FY000xxx
*	158061-09	• O-Ring	2	1-3/16" ORFS
*	002218120	• O-Ring	1	1-1/16" SAE
44	69057-02	Tee-M/MM 1-3/16 ORS (2) x 1-1/16 SAE + 1/8 BSPP	1	from serial no. FR000xxx and FY000xxx
*	158061-09	• O-Ring	2	1-3/16" ORFS
*	002218120	• O-Ring	1	1-1/16" SAE

Illustration Number: 4131108

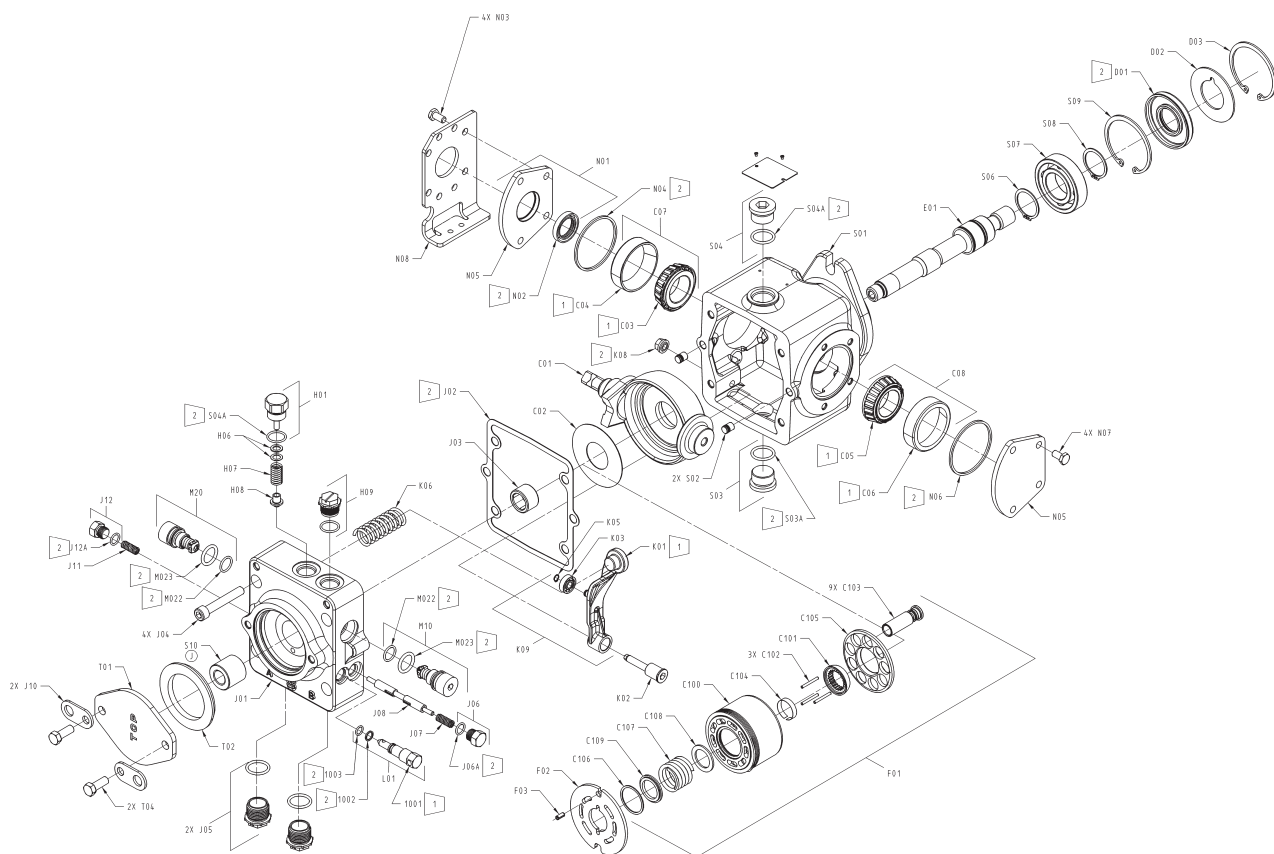




## CUTTER &amp; STEER PUMP, CASAPPA (4177940)

ITEM	PART NO.	DESCRIPTION	QTY.	
	4177940	Pump-Cutter & Steering	1	
1	4136965	Body	1	
2	4136966	Front Cover	1	
3	4136967	Twin Rear Cover	1	
4	4136968	Thrust Plate	1	
5	4136969	Thrust Plate	1	
6	4136970	Thrust Plate	1	
7	4136971	Thrust Plate	1	
8	4136972	Drive Gear	1	
9	4136974	Driven Gear	1	
10	4136975	Drive Shaft	1	
11	4136976	Driven Gear	1	
12	4136977	Screw	4	
13	4136978	Washer	4	
14 +		O-Ring	1	
15 +		Seal	2	
16 +		Seal	2	
17 +		Seal	1	
18 +		Shaft Seal	1	
19	4136979	Ring	1	
20 +		Back-Up Ring	2	
21 +		Back-Up Ring	2	
22	4136980	Hub	1	
23	4136981	Dowel Pin	2	
100	4177942	Seal Kit	1	Contains items marked +

Illustration Number: 4162660



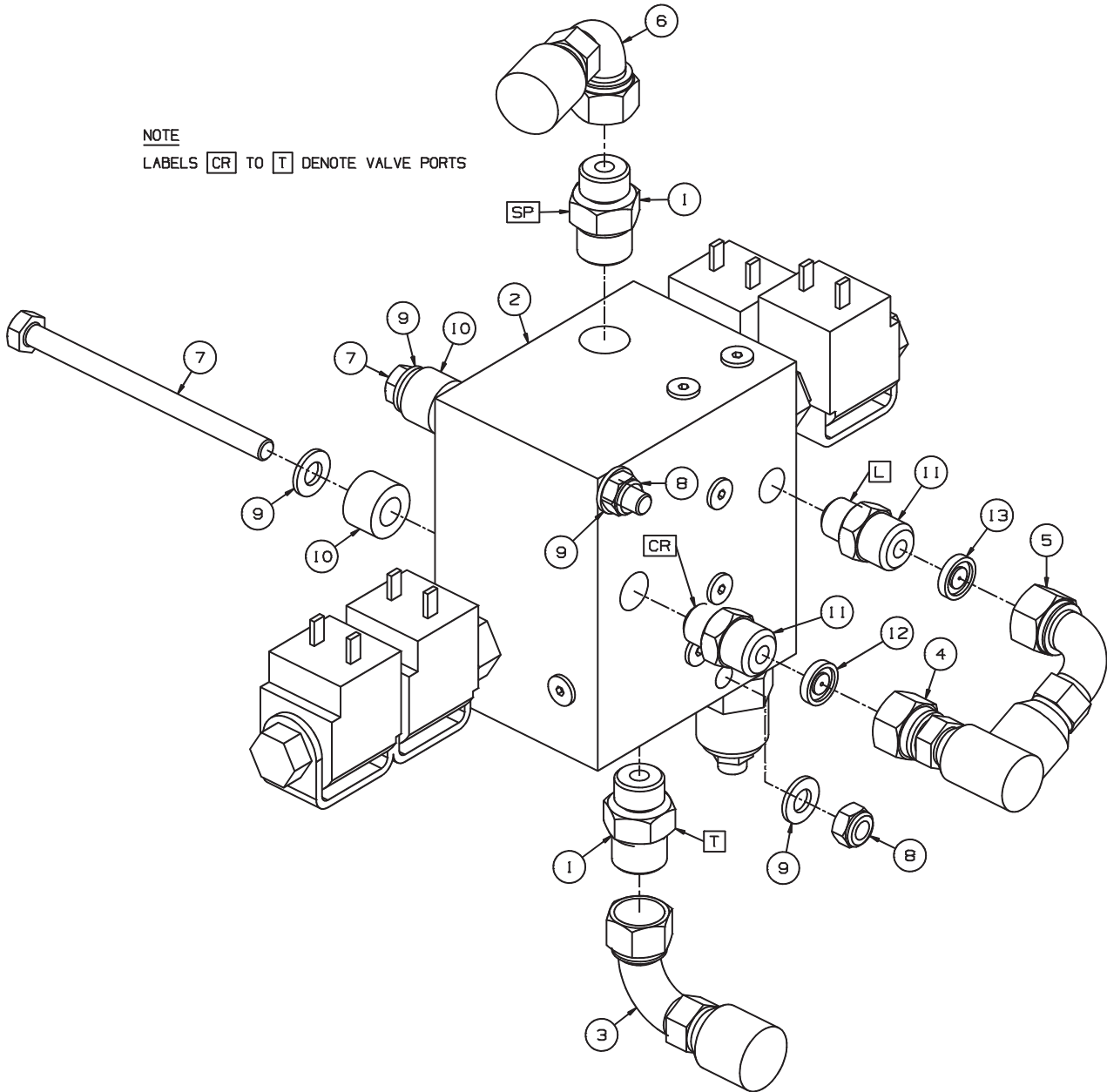
## TRANSMISSION PUMP, SAUER DANFOSS (4162660)

ITEM	PART NO.	DESCRIPTION	QTY.	
	4162660	Pump-Transmission, LPV035	1	
2	4169328	Seal Kit	1	Comprises items marked *
*	1002	O-Ring	1	Not available separately
*	1003	O-Ring	1	Not available separately
*	D01	Seal	1	Not available separately
*	J02	Gasket	1	Not available separately
*	J06A	O-Ring	1	Not available separately
*	J12A	O-Ring	1	Not available separately
*	K08	Nut	1	Not available separately
*	M022	O-Ring	2	Not available separately
*	M023	O-Ring	1	Not available separately
*	N02	Seal	1	Not available separately
*	N04	Seal	1	Not available separately
*	N06	Seal	1	Not available separately
*	S03A	Seal	1	Not available separately
*	S04A	O-Ring	2	Not available separately

LIFT VALVE

Illustration Number: 4153621

NOTE  
LABELS **CR** TO **T** DENOTE VALVE PORTS

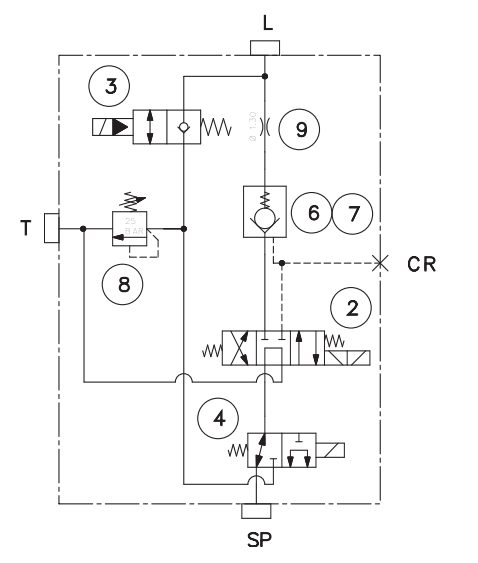
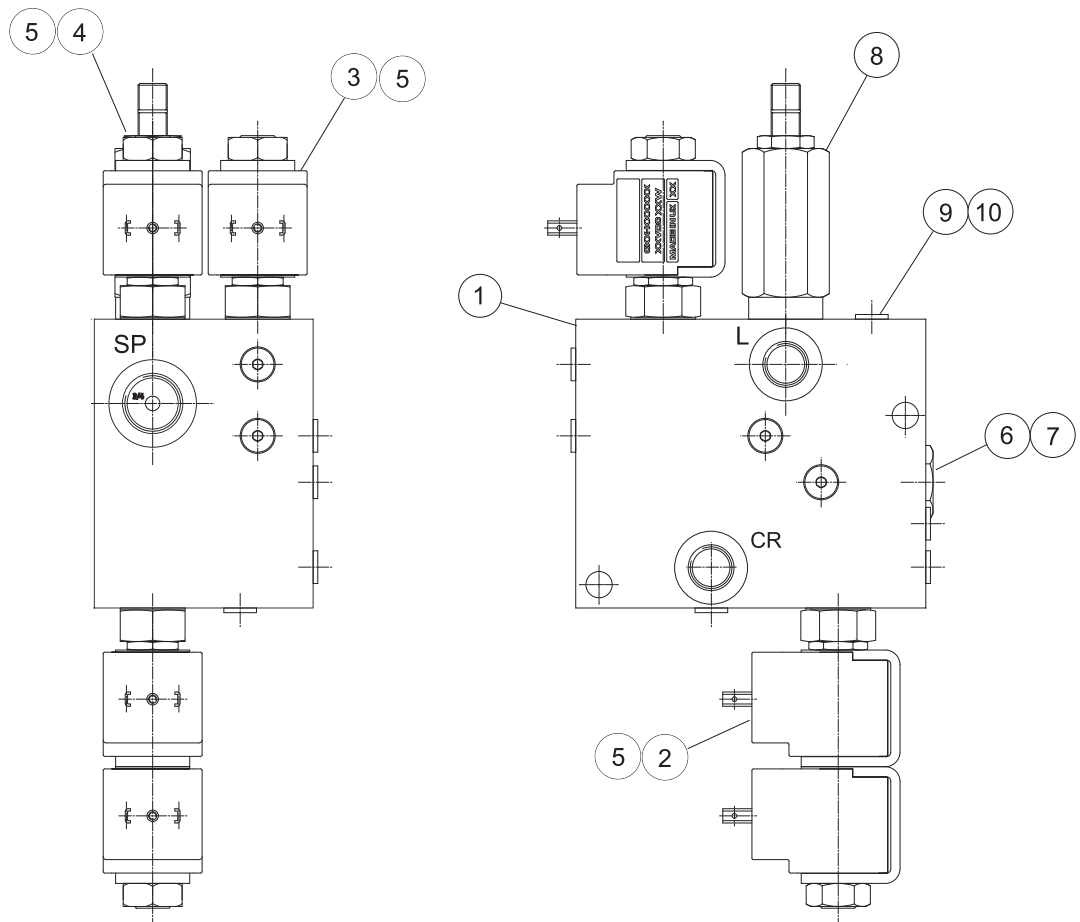


## LIFT VALVE

ITEM	PART NO.	DESCRIPTION	QTY.	
1	158006-13	Ftg-11/16 ORS x 3/4 SAE	2	
*	158061-01	• O-Ring	1	11/16" ORFS
*	002218081	• O-Ring	1	3/4" SAE
2	4131111	Hydraulic Valve-Lift	1	To Serial Numbers: FR000322 & FY000312
2	4169021	Lift Valve	1	From Serial Numbers: FR000323 & FY000313
3	4163604	Hose Assembly	1	Lift Valve 'T' to Tee on Difflock 'T'
4	4163605	Hose Assembly	1	Lift Valve 'CR' to Drain Manifold
5	4173281	Hose Assembly	1	Lift Valve 'L' to Lift Tee
6	4166700	Hose Assembly	1	Lift Valve 'SP' to Steer Valve 'E'
7	450028	Bolt-Hex M8 x 110	2	
8	450378	Nut-Hex M8 Nyloc	2	
9	450390	Wshr-M8 x 17 x 1.8	4	
10	MBE3454	Spacer-10.5 x 20 x 13	2	
11	W158006-01	Ftg-M/M 11/16 ORS x 9/16 SAE	2	
*	158061-01	• O-Ring	1	11/16" ORFS
*	002218065	• O-Ring	1	9/16" SAE
12	69068-01	Orifice Disk 06 - 0.052 dia	1	
*	158061-01	• O-Ring	1	11/16" ORFS
13	69068-02	Orifice Disk 06 - 0.040 dia	1	
*	158061-01	• O-Ring	1	11/16" ORFS

LIFT VALVE, STERLING (4131111)

Illustration Number: 4131111

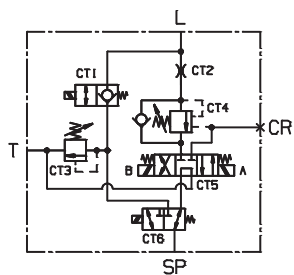
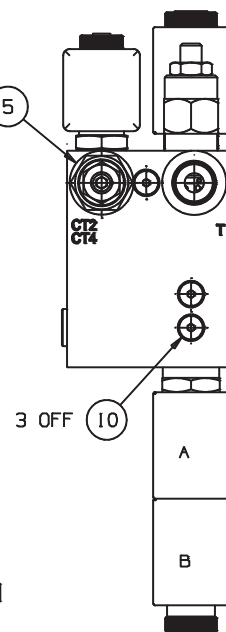
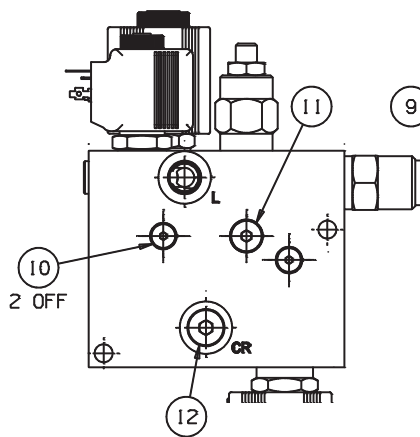
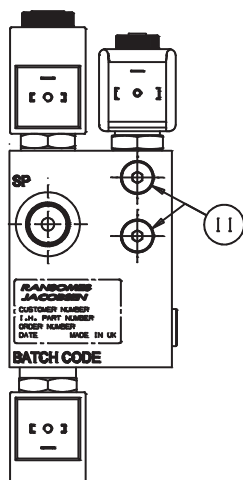
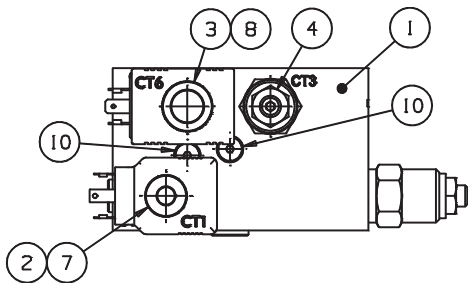


## LIFT VALVE, STERLING (4131111)

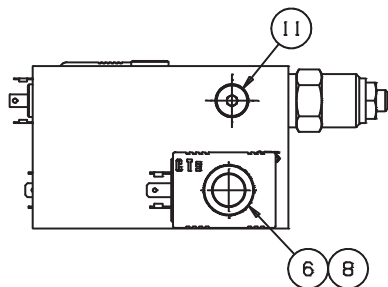
ITEM	PART NO.	DESCRIPTION	QTY.	
	4131111	Hydraulic Valve-Lift	1	
1		• Block	1	
2	4134873	• Solenoid Valve	1	Torque 30 Nm
*	4137264	•• Seal Kit	1	
3	4134876	• Solenoid Valve	1	Torque 30 Nm
*	4137265	•• Seal Kit	1	
4	4134877	• Solenoid Valve	1	Torque 30 Nm
*	4137266	•• Seal Kit	1	
5	4134878	• Coil	4	Torque 4.1 Nm
6	4134879	• Check Valve	1	Torque 40 Nm
*	4137267	•• Seal Kit	1	
7	4134880	• Pilot Piston	1	
*	4137268	•• Seal Kit	1	
8	4134881	• Relief Valve	1	Torque 50Nm
*	4137269	•• Seal Kit	1	
9	4134882	• Orifice Plug	1	Torque 3 Nm
10		• Hollow Hex Plug	9	Torque 6.5 Nm

LIFT VALVE, INTEGRATED (4169021)

Illustration Number: 4169021



CIRCUIT DIAGRAM





## LIFT VALVE, INTEGRATED (4169021)

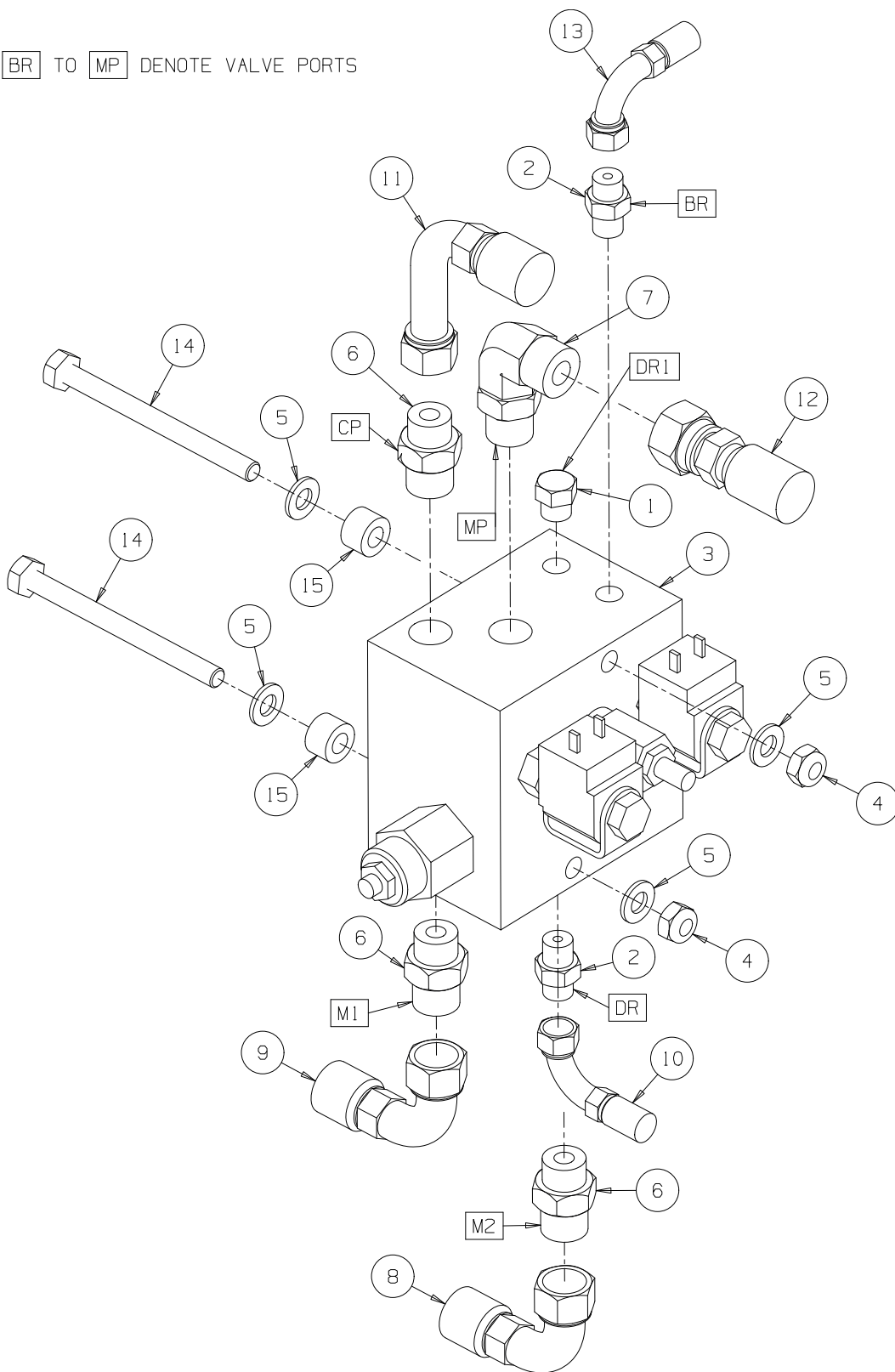
ITEM	PART NO.	DESCRIPTION	QTY	
	4169021	Lift Valve	1	
1		• Block	1	
2	4171460	• Solenoid Valve	1	Torque 20 Nm
*	4171365	•• Seal Kit	1	
3	4171461	• Solenoid Valve	1	Torque 30 Nm
*	4171462	•• Seal kit	1	
4	4171463	• Relief Valve	1	Torque 45 Nm
*	4171464	•• Seal Kit	1	
5	4171465	• Overcentre Valve	1	Torque 45 Nm
*	4171466	•• Seal Kit	1	
6	4171467	• Solenoid Valve	1	Torque 30 Nm
*	4171468	•• Seal Kit	1	
7	4171444	• 12VDC Coil	1	
8	4171469	• 12VDC Coil	3	
9	4171470	• M6x0.75 JAT (1.3 mm Orifice)	1	Torque 2.0-2.5 Nm
10	4171445	• 1/8" SAE Blanking Plug	7	Torque 4.5 Nm + Loctite
11	4171446	• 1/4" SAE Blanking Plug	4	Torque 12.5 Nm + Loctite
12	4171447	• 3/8" SAE Blanking Plug	1	Torque 20 Nm + Loctite

CUTTER AND BRAKE VALVE

Illustration Number: 4153619

NOTE

LABELS BR TO MP DENOTE VALVE PORTS

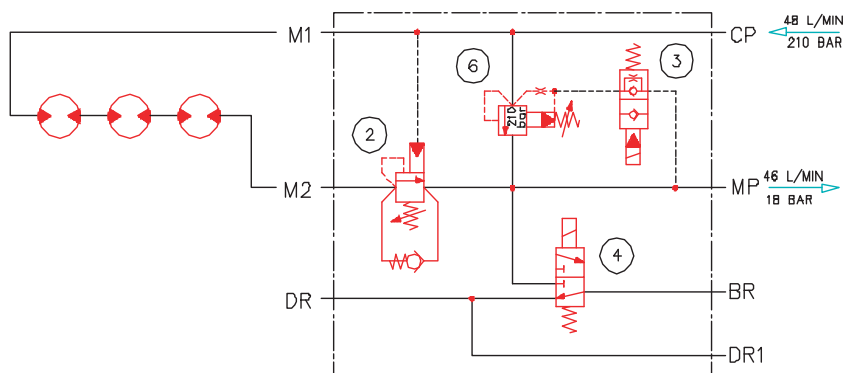
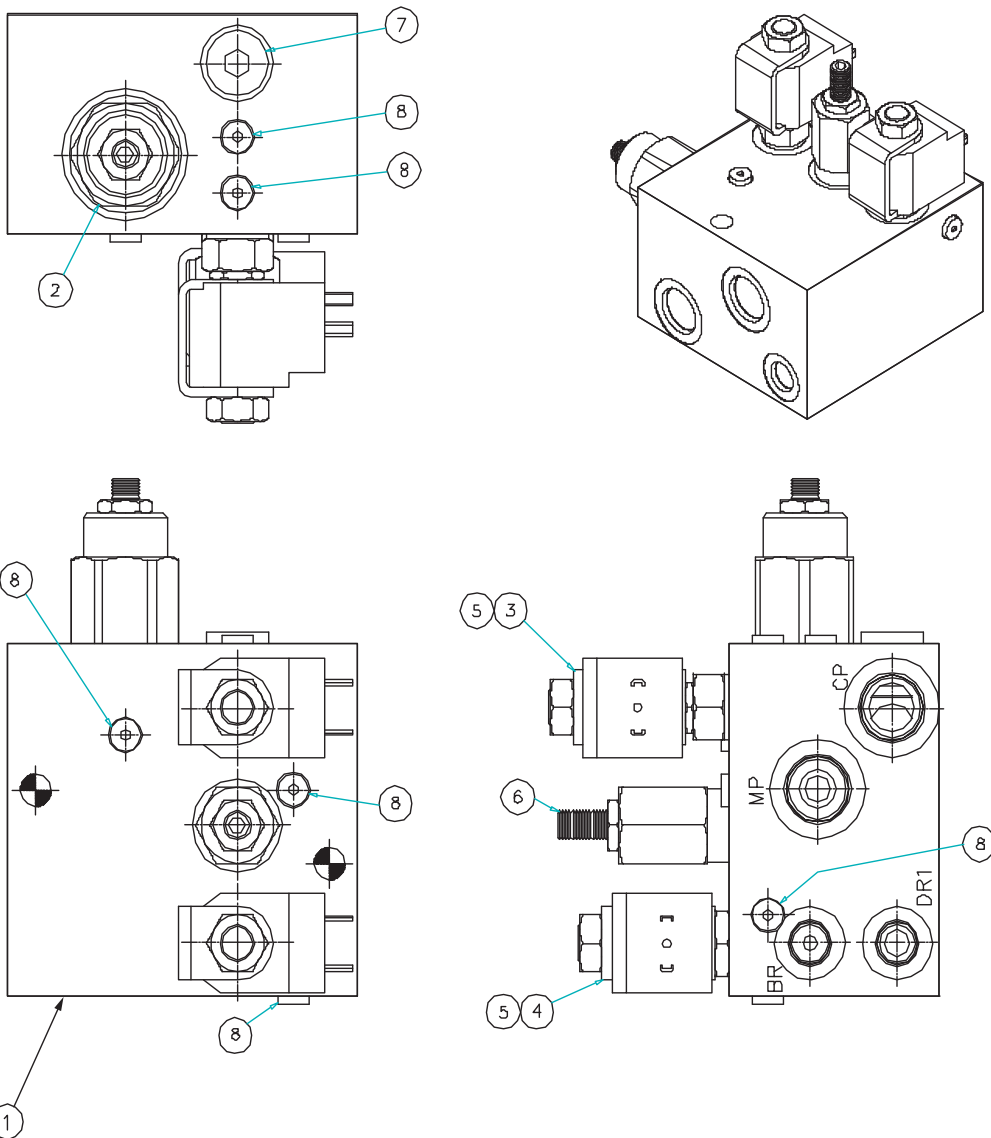


## CUTTER AND BRAKE VALVE

ITEM	PART NO.	DESCRIPTION	QTY.	
1	002444056	Plug-9/16 SAE	1	
2	002515100	Ftg-9/16 ORS x 9/16 SAE	2	
*	158061-18	• O-Ring	1	9/16" ORFS
*	002218065	• O-Ring	1	9/16" SAE
3	4232000	Cutter & Brake Valve	1	From Serial Numbers: FR000633, FY000368, GX000348, EJ000750 & FG000553.
4	450379	Nut-Hex M10 Nyloc	2	
5	450391	Wshr-M10 x 21 x 2.2	4	
6	W158006-06	Ftg-M/M 13/16 ORS x 7/8 SAE	3	
*	158061-02	• O-Ring	1	13/16" ORFS
*	002218104	• O-Ring	1	7/8" SAE
7	W158007-05	90-M/M 1 ORS x 7/8 SAE	1	
*	158061-08	• O-Ring	1	1" ORFS
*	002218104	• O-Ring	1	7/8" SAE
8	4163587	Hose Assembly	1	Cutter Valve 'M2' to RH Quick Release Bulkhead
9	4163588	Hose Assembly	1	Cutter Valve 'M1' to LH Quick Release Bulkhead
10	4163634	Hose Assembly	1	Cutter Valve 'DR' to Drain Manifold
11	4163636	Hose Assembly	1	Cutter Valve 'CP' to Cutter Pump
12	4167000	Hose Assembly	1	Cutter Valve 'MP' to Oil Filter
13	4167001	Hose Assembly	1	Cutter Valve 'BR' to Brake Release Valve 'B'
14	450043	Bolt-Hex M10 x 120	2	
15	MBE3454	Spacer-10.5 x 20 x 13	2	

CUTTER & BRAKE VALVE, STERLING (4131112)

Illustration Number: 4131112

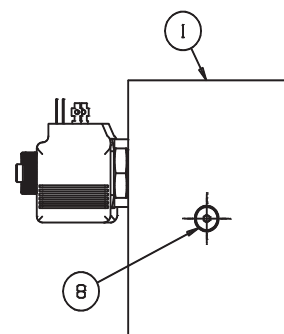
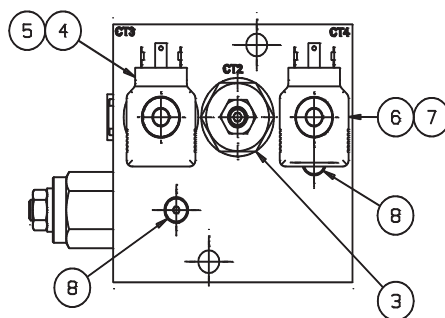
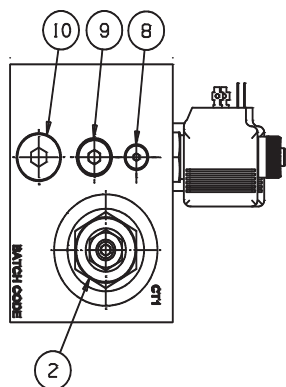
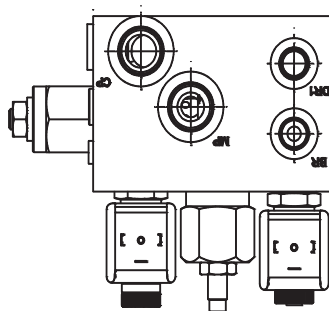


## CUTTER &amp; BRAKE VALVE, STERLING (4131112)

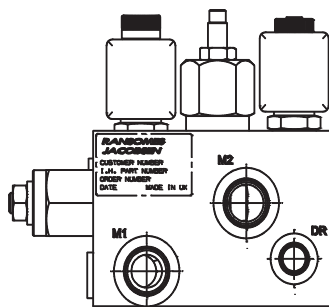
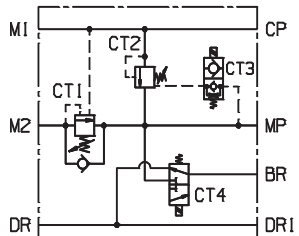
ITEM	PART NO.	DESCRIPTION	QTY.	
	4131112	Hyd Valve-Cutter & Brake Manifold	1	
1		Block	1	
2	4134891	• Load Control Valve	1	Torque 68 Nm
*	4137270	•• Seal Kit	1	
3	4134892	• Solenoid Valve	1	Torque 30 Nm
*	4137265	•• Seal kit	1	
4	4134893	• Solenoid Valve	1	Torque 27 Nm
*	4137271	•• Seal Kit	1	
5	4134894	• Coil	2	Torque 4.1 Nm
6	4134895	• Relief Valve	1	Torque 50 Nm
*	4137272	•• Seal Kit	1	
7		• Hollow Hex Plug	1	Torque 50 Nm
8		• Hollow Hex Plug	6	Torque 6.5 Nm

CUTTER & BRAKE VALVE, INTEGRATED (4169020)

Illustration Number: 4169020



CIRCUIT DIAGRAM



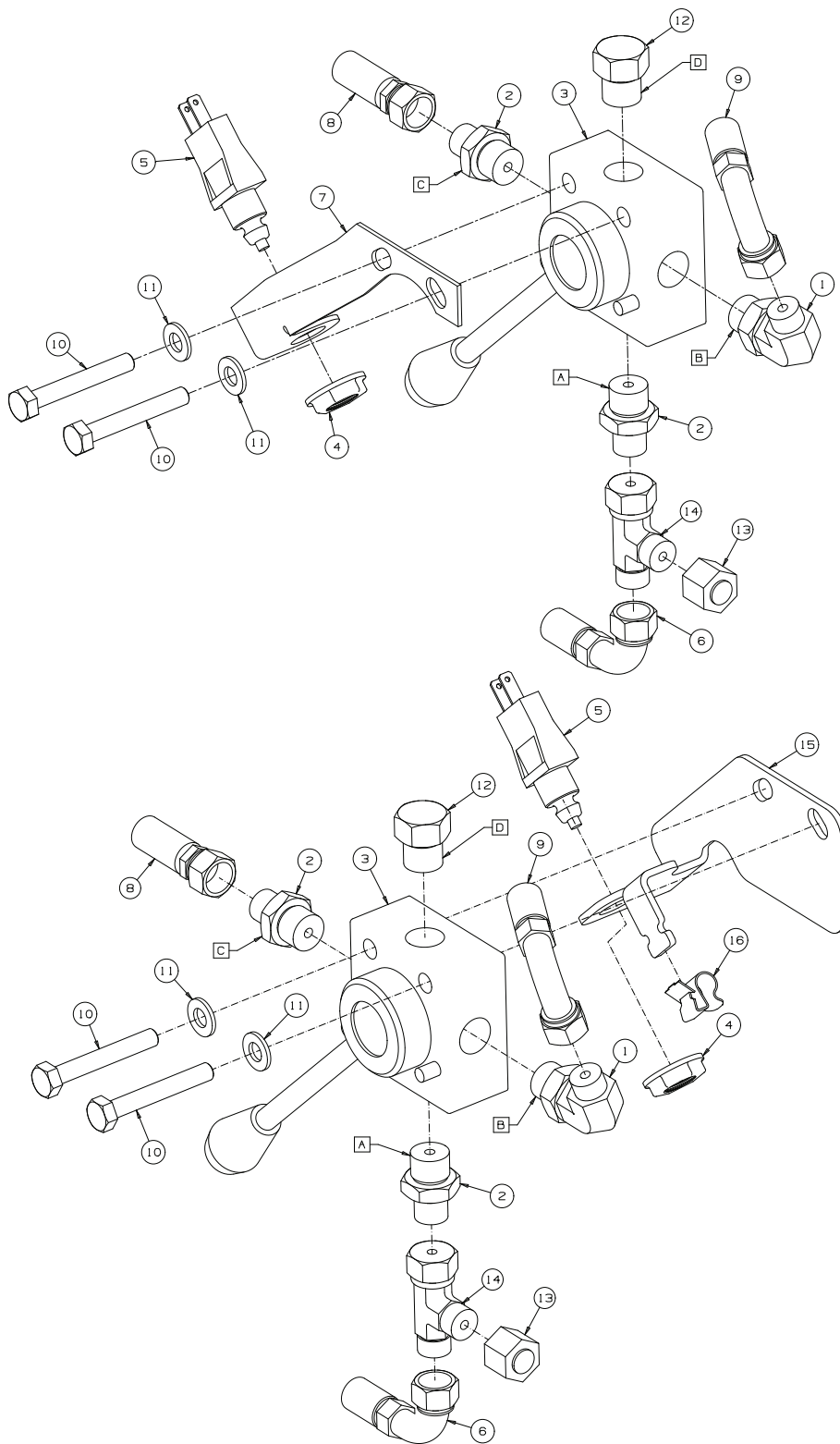
## CUTTER &amp; BRAKE VALVE, INTEGRATED (4169020)

ITEM	PART NO.	DESCRIPTION	QTY	
	4169020	Cutter & Brake Valve	1	
1		• Block	1	
2	4171360	• Overcentre Valve	1	Torque 60 Nm
*	4171361	•• Seal Kit	1	
3	4171362	• Relief Valve	1	Torque 75 Nm
*	4171363	•• Seal kit	1	
4	4171364	• Solenoid Valve	1	Torque 30 Nm
*	4171365	•• Seal Kit	1	
5	4171441	• 12VDC 22 Watt Coil	1	Torque 3.4 Nm
6	4171442	• Solenoid Valve	1	Torque 20 Nm
*	4171443	•• Seal Kit	1	
7	4171444	• 12VDC 14 Watt Coil	1	Torque 3.4 Nm
8	4171445	• 1/8" SAE Blanking Plug	4	Torque 4.5 Nm + Loctite
9	4171447	• 3/8" SAE Blanking Plug	1	Torque 20 Nm + Loctite
10	4171448	• 1/2" SAE Blanking Plug	1	Torque 55 Nm + Loctite

BRAKE RELEASE VALVE

Illustration Number: 4153620

NOTE  
LABELS [A] TO [D] DENOTE VALVE PORTS



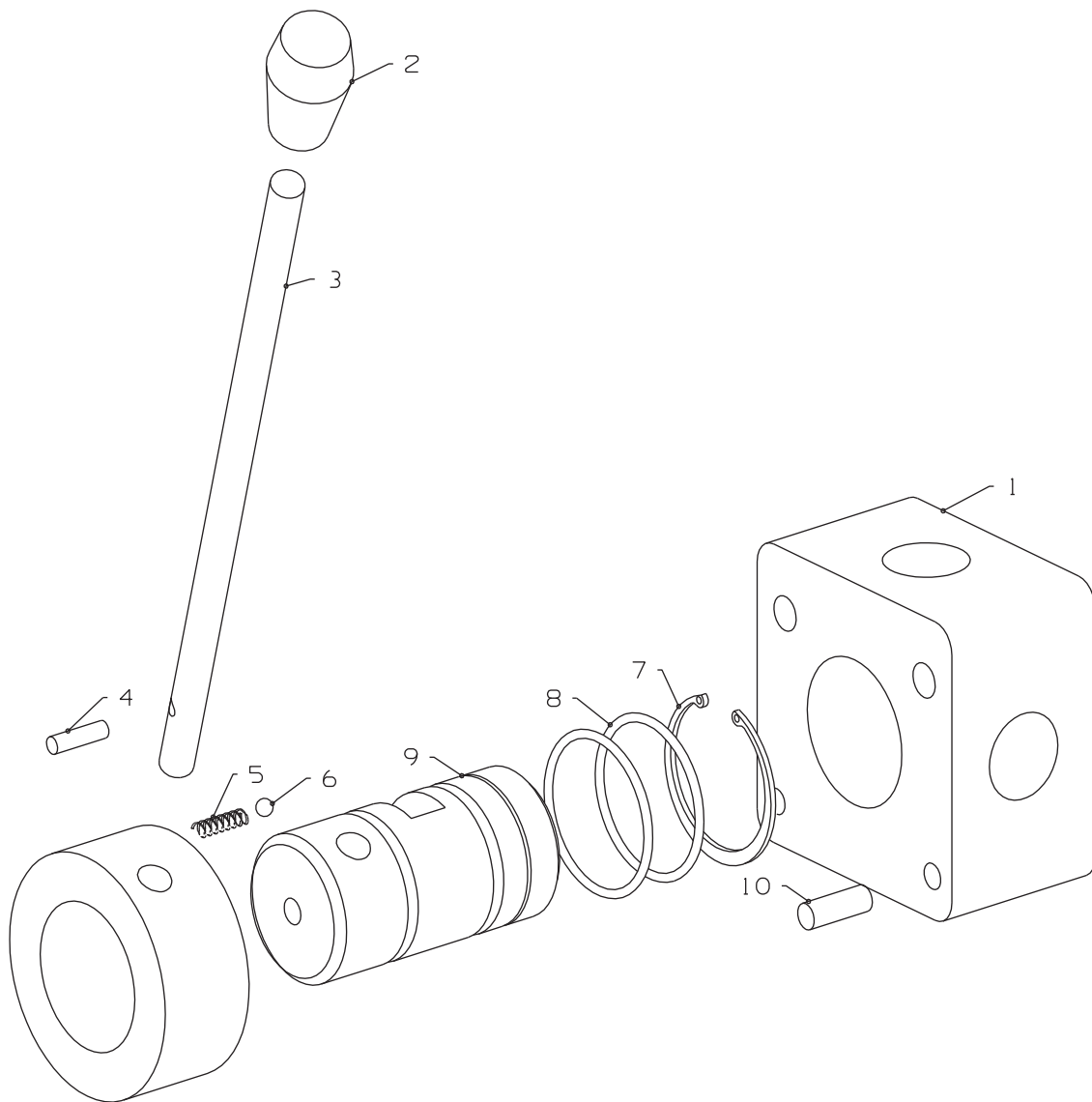


## BRAKE RELEASE VALVE

ITEM	PART NO.	DESCRIPTION	QTY.	
1	002590710	90 Elbow-9/16 ORFS x 3/8 BSPP	1	
*	158061-18	• O-Ring	1	9/16" ORFS
*	870000081	• Seal	1	3/8" BSP
2	002590730	Ftg-9/16 ORFS x 3/8 BSPP	2	
*	158061-18	• O-Ring	1	9/16" ORFS
*	870000081	• Seal	1	3/8" BSP
3	008028345	4-Port Rotary Valve	1	
*	001710252	• Ext Circlip, 25mm	1	
*	640002045	• O-Ring	2	
4	4142766	5/8-18 UNF Plastic Nut	1	For 4151198
5	4235682	N/O Sealed Switch	1	FR000657, FY000371, FJ001019, FH001577.
6	4153632	Hose Assembly	1	Valve Port 'A' to RH Front Motor Drain Tee
7	4155840	Bracket-Microswitch	1	Fitted to FR000752 & FY000389
8	4163585	Hose Assembly	1	Valve Port 'C' to Check Valve on Steer Valve Port 'C'
9	4167001	Hose Assembly	1	Valve Port 'B' to Cutter Valve 'BR'
10	450019	Bolt-Hex M8 x 55	2	
11	450390	Wshr-M8 x 17 x 1.8	2	
12	459100236	Plug-3/8 BSPP	1	
*	870000081	• Seal	1	3/8" BSP
13	002560010	Cap-9/16 ORS	1	Fitted from FR000499 & FY000347
14	002590480	Tee-M/F/M 9/16 ORS	1	Fitted from FR000499 & FY000347
15	4196821	Bracket-Microswitch	1	Fitted from FR000753 & FY000390
16	4254170	Clip	1	Fitted from FR000753 & FY000390

ROTARY VALVE

Illustration Number: 008028345



## ROTARY VALVE

ITEM	PART NO.	DESCRIPTION	QTY.	
1	008028345	Hydraulic Valve	1	
2		Body	1	
3		Knob	1	
4		Lever	1	
5		Tension Pin	1	
6		Spring	1	
7		Ball	1	
8	001710252	Circlip	1	
9	GSF3599BN	O Ring	2	
10		Spool	1	
		Tension Pin	2	



## DIFF LOCK VALVE

ITEM	PART NO.	DESCRIPTION	QTY.	
1	002498400	Tee M/F/M 11/16 ORS	1	
*	158061-01	• O-Ring	2	11/16" ORFS
2	002590130	Tee M/M/M 1 ORS(2) x 7/8 SAE	2	
*	158061-08	• O-Ring	2	1" ORFS
*	002218104	• O-Ring	1	7/8" SAE
4	4155556	Difflock Valve	1	
5	4162261	Bracket-Difflock Valve	1	
6	4162542	Bolt-Hex M8 x 140	1	
7	4163340	Spacer-9 x20 x 35	1	
8	450028	Bolt-Hex M8 x 110	2	
9	450192	Scrw-Hex M8 x 25	2	
10	450378	Nut-Hex M8 Nyloc	2	
11	450390	Wshr-M8 x 17 x 1.8	7	
12	450411	Wshr-SLW M8	2	
13	W158006-07	Ftg-M/M 1 ORS x 7/8 SAE	2	
*	158061-08	• O-Ring	1	1" ORFS
*	002218104	• O-Ring	1	7/8" SAE
14	W158006-08	Ftg-M/M 1-3/16 ORS x 1-1/16 SAE	1	
*	158061-09	• O-Ring	1	1-3/16" ORFS
*	002218120	• O-Ring	1	1-1/16" SAE
15	W158007-01	90-M/M 11/16 ORS x 9/16 SAE	1	
*	158061-01	• O-Ring	1	11/16" ORFS
*	002218065	• O-Ring	1	9/16" SAE
16	W158007-07	90-M/M 1-3/16 ORFS x 1-1/16 SAE	1	
*	158061-09	• O-Ring	1	1-3/16" ORFS
*	002218120	• O-Ring	1	1-1/16" SAE
17	4163603	Hose Assembly	1	Difflock Valve Tee on 'T' to Drain Manifold
18	4163604	Hose Assembly	1	Tee on Difflock Valve 'T' to Lift Valve 'T'
19	4163626	Hose Assembly	1	Tee on Difflock Valve 'C' to Rear RH Motor Bulkhead To Serial Numbers: FR000322 & FY000312
19	4172000	Hose-RH Bottom Rear Motor Port	1	From Serial Numbers: FR000323 & FY000323

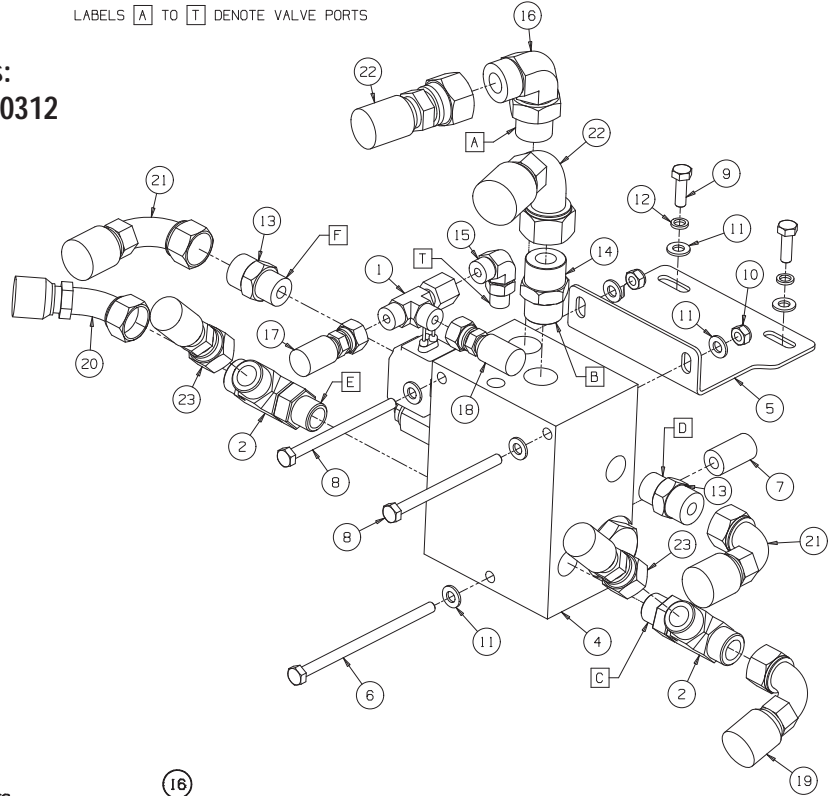
DIFFLOCK VALVE

Illustration Number: 4162260

NOTE

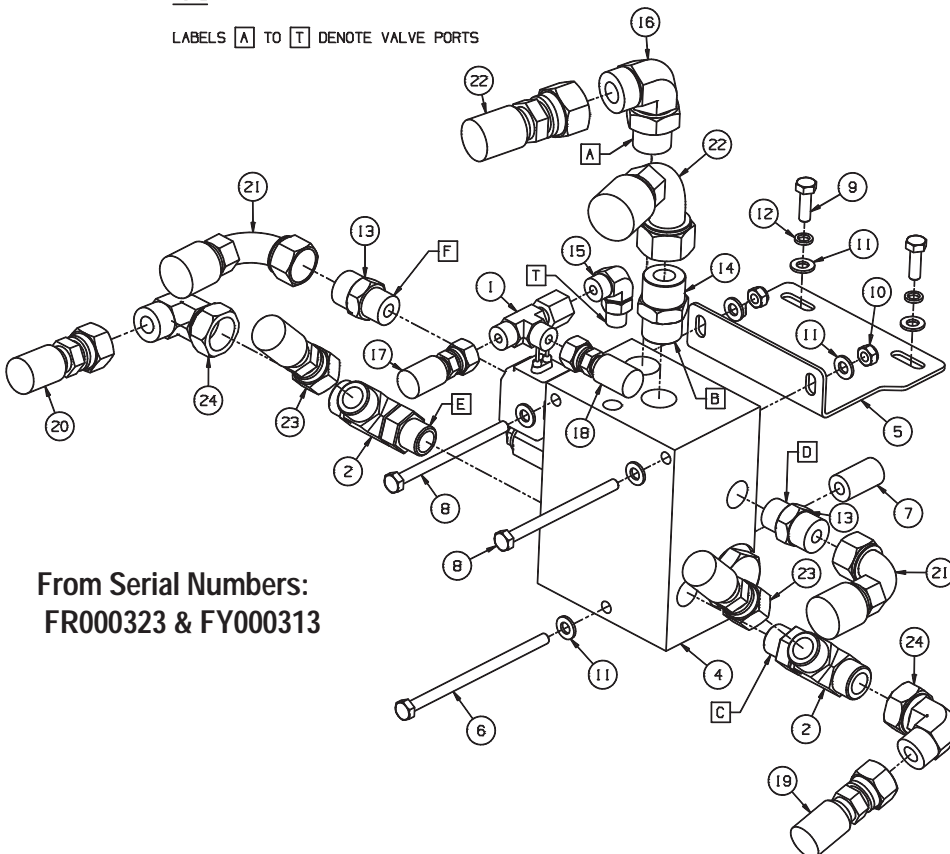
LABELS A TO T DENOTE VALVE PORTS

To Serial Numbers:  
FR000322 & FY000312



NOTE

LABELS A TO T DENOTE VALVE PORTS



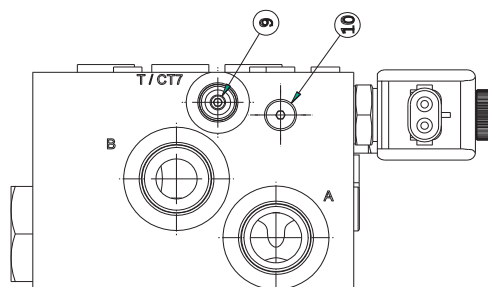
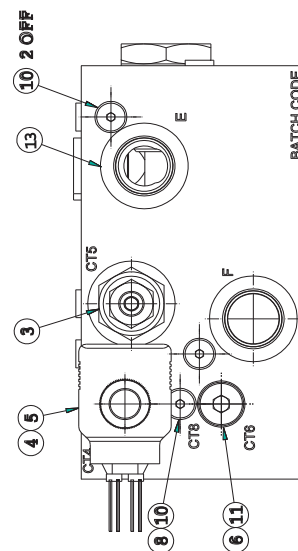
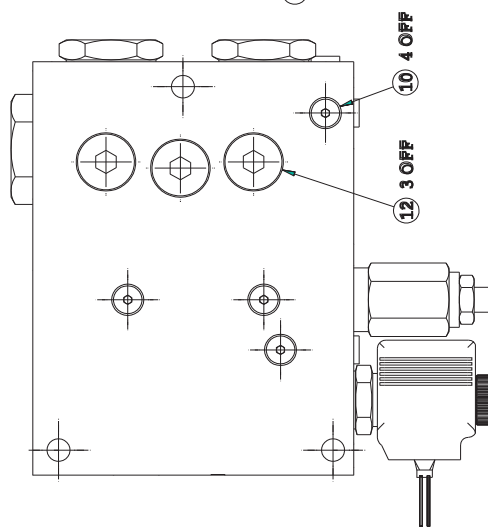
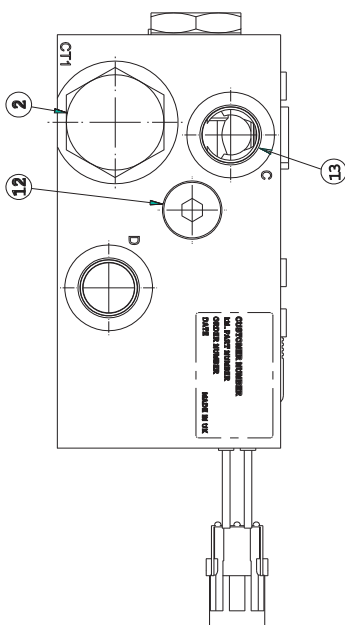
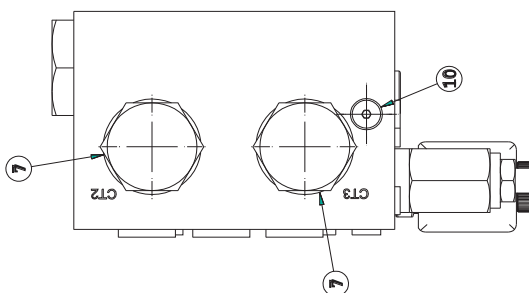
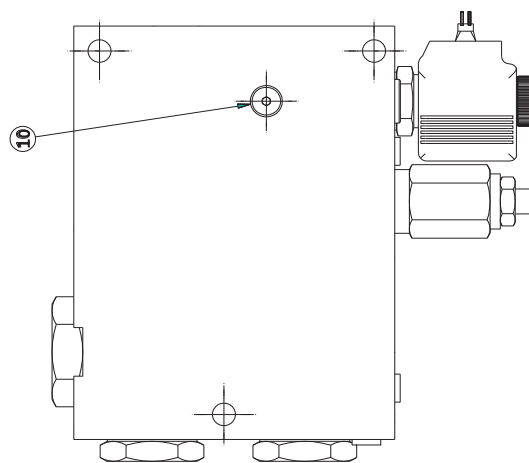
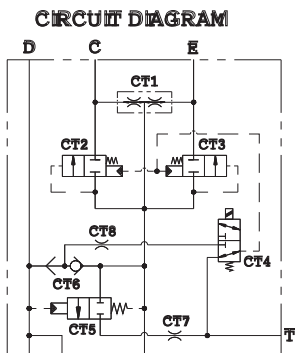
From Serial Numbers:  
FR000323 & FY000313

## DIFFLOCK VALVE

ITEM	PART NO.	DESCRIPTION	QTY.	
20	4163625	Hose Assembly	1	Tee on Difflock Valve 'E' to Rear LH Motor Bulkhead To Serial Numbers: FR000322 & FY000312
20	4172003	Hose-LH Bottom Rear Motor Port	1	From Serial Numbers: FR000323 & FY000313
21	4163631	Hose Assembly	2	Difflock Valve 'D' & 'F' to Front LH & RH Wheel Motors
22	4163633	Hose Assembly	2	Difflock Valve 'A' to Transmission Pump 'A' & Difflock Valve 'B' to Transmission Pump 'B'
23	4167002	Hose Assembly	2	Tee on Difflock Valve 'E' & 'C' to Front LH & RH Wheel Motor Check Valve
24	002590080	90-M/F 1" ORFS	2	From Serial Numbers: FR000323 & FY000313
*	158061-08	• O-Ring	1	1" ORFS

DIFF LOCK VALVE, INTEGRATED HYDRAULICS (4155556)

Illustration Number: 4155556



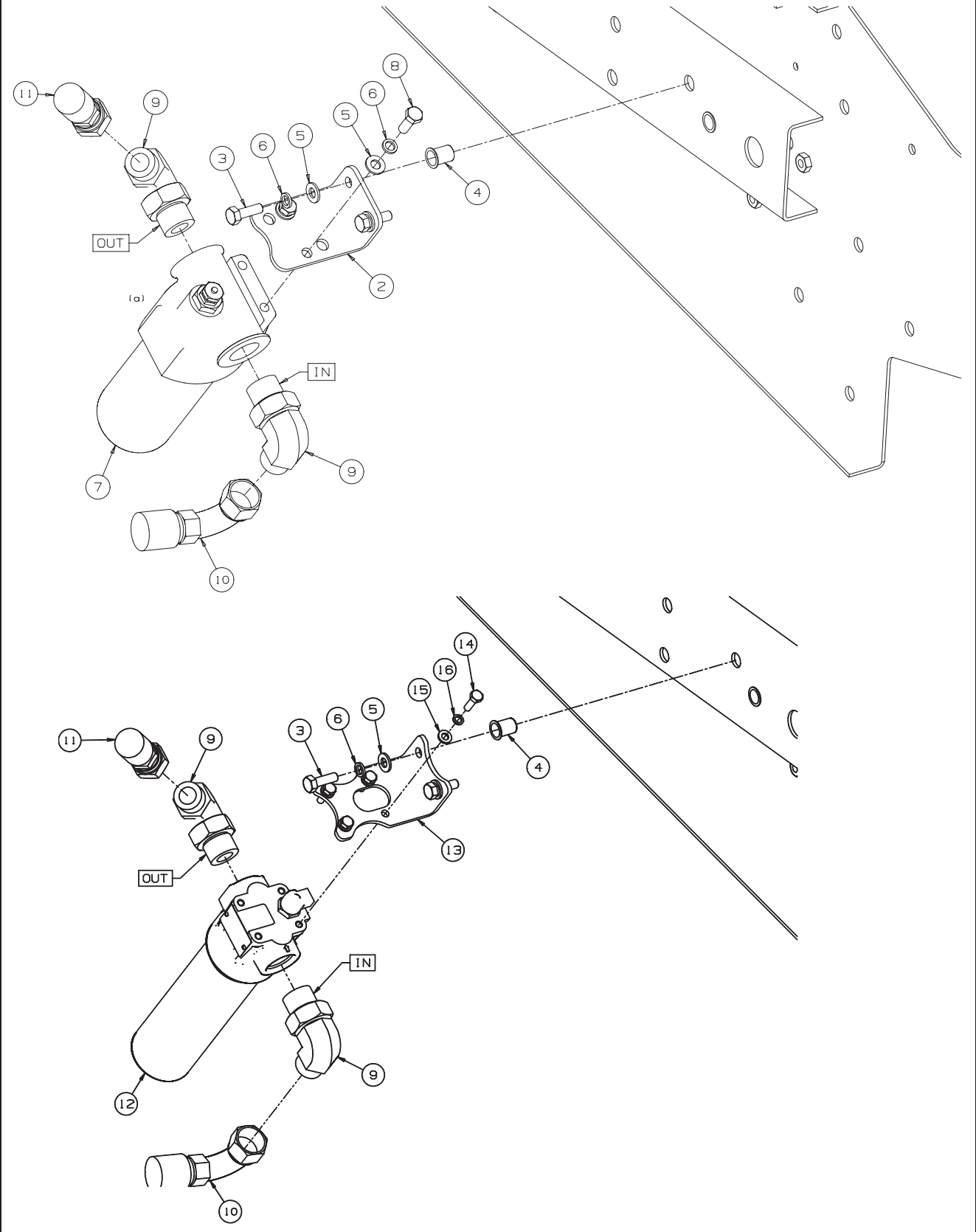


## DIFF LOCK VALVE, INTEGRATED HYDRAULICS (4155556)

ITEM	PART NO.	DESCRIPTION	QTY.	
	4155556	Intergrated Hydraulics Difflock Valve	1	
2	4155554	Flow Divider / Combiner	1	
3	4155551	Directional Sequence Cartridge	1	
	4155552	Solenoid Valve Assembly	1	
4		• Valve	1	
5	4209145	• Solenoid Coil	1	
6	4209141	Shuttle Insert	1	
7	4155553	NC Logic Element	2	
8	4155549	Orifice Plug 1.80	1	
9	4155550	Orifice Plug 0.80	1	
10	4155548	Blanking Plug	AR	2T
11	4155547	Blanking Plug	AR	6T
12	4155546	Blanking Plug	AR	8T
13	4218240	M6 x 0.75 JET (0.70 DIA ORIFICE)	2	
CT 1	4155545	Seal Kit	1	Flow Divder / Combiner Cartridge
CT2	4155542	Seal Kit	1	Normally Closed Logic Element
CT3	4155542	Seal Kit	1	Normally Closed Logic Element
CT4	4155541	Seal Kit	1	Solenoid Valve Cartridge
CT5	4155540	Seal Kit	1	Directional Sequence Cartridge

FILTER MOUNTING

Illustration Number: 4161641-2

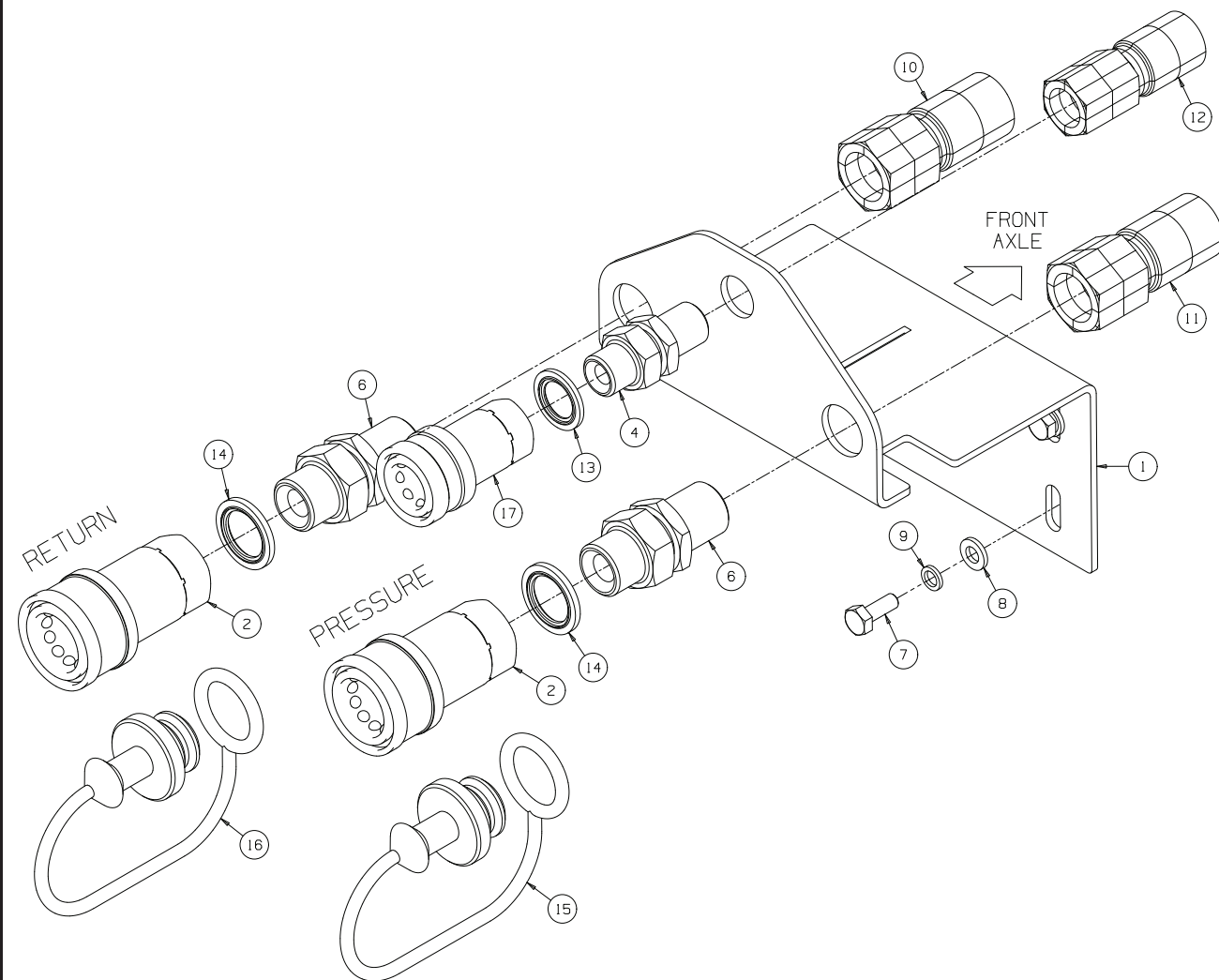


## FILTER MOUNTING

ITEM	PART NO.	DESCRIPTION	QTY.	
2	4161642	Bracket-Filter Mtg	1	
3	450192	Scrw-Hex M8 x 25	2	
4	450369	M8 Nutsert	2	
5	450390	Wshr-M8 x 17 x 1.8	4	
6	450411	Wshr-SLW M8	4	
7	008089610	Filter-Hyd, 9.6 Mircon	1	
*	008089620	• Filter Element	1	
*	008089810	• Single Post Element	1	
8	456110341	Scrw-Hex 5/16-18 x 7/8	2	
9	W158007-06	90-M/M 1" ORS x 1-1/16 SAE	2	
*	158061-08	• O-Ring	1	1" ORFS
*	002218120	• O-Ring	1	1-1/16" ORFS
10	4167000	Hose Assembly	1	Filter 'IN' to Cutter Valve 'MP'
11	4163635	Hose Assembly	1	Filter 'OUT' to Transmission Pump Charge Inlet
12	4198060	Filter Hyd (Argo) 10 Micron Absolute	1	
*	4204702	• Filter Bowl D062	1	
*	4204701	• O-Ring 50 x 2	1	
*	4199061	• Filter Element, 10 Micron Absolute	1	
13	4204821	Bracket-Filter Mtg (Argo)	1	
14	450171	Scrw-Hex M6 x 20	4	
15	450389	Wshr-M6 x 12.5 x 1.8	4	
16	450410	Wshr-SLW M6	4	

FRONT HYDRAULIC MANIFOLD

Illustration Number: 4163645

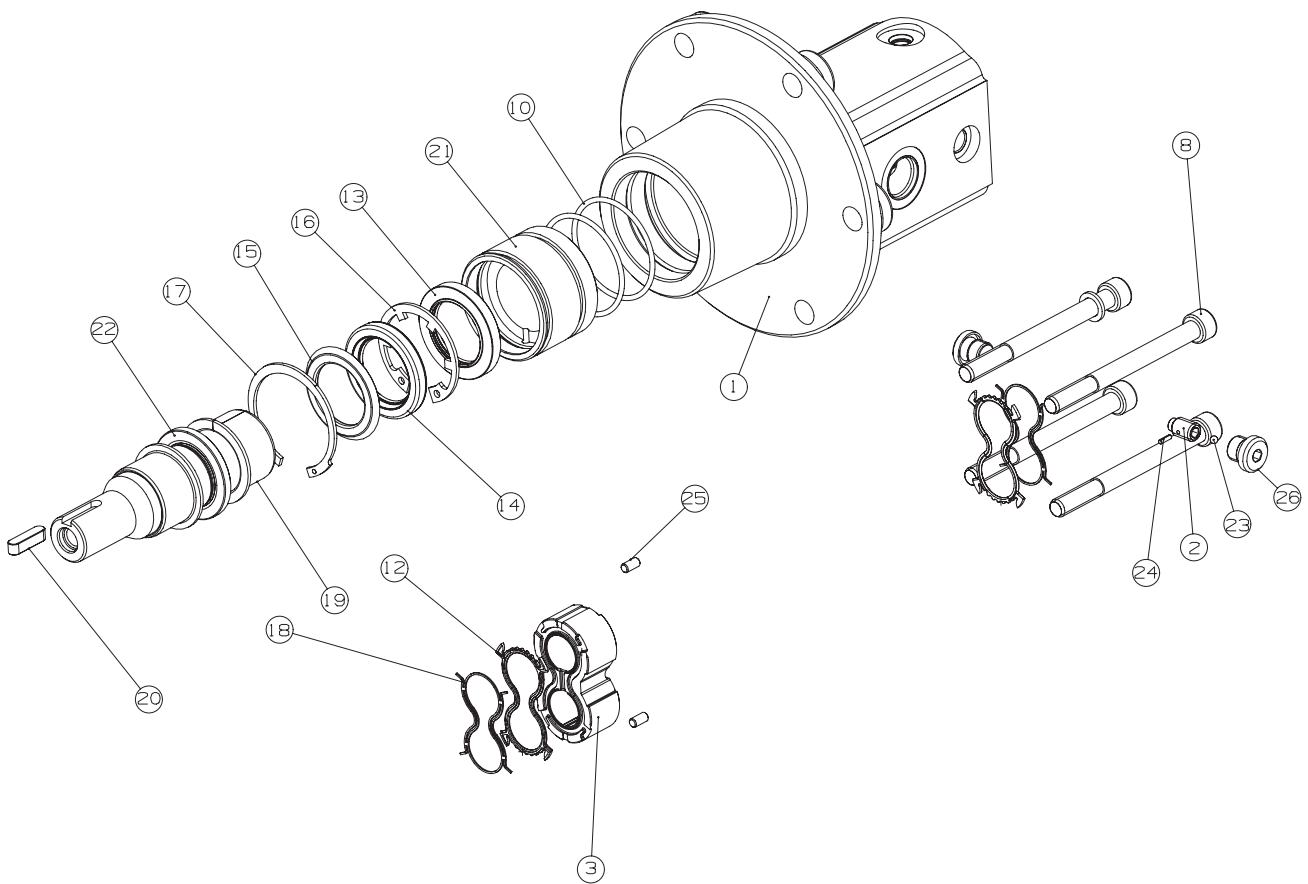


## FRONT HYDRAULIC MANIFOLD

ITEM	PART NO.	DESCRIPTION	QTY.	
1	4160941	Wldmt-Hyd Bulkhead	1	
2	990010705	QRC-1/2"BSPP Female	2	
3	4163522	QRC-1/2"BSPP Male	1	To S/N FR000475 & FY000347
4	4163523	3/8"BSPP Bulkhead Adaptor	1	
*	870000081	• Seal	2	3/8" BSP
5	4163525	QRC-3/8"BSPP Male	1	To S/N FR000499 & FY000347
6	4163526	1/2"BSPP Bulkhead Adaptor	2	
*	870000099	• Seal	2	1/2" BSP
7	450170	Scrw-Hex M6 x 16	4	
8	450389	Wshr-M6 x 12.5 x 1.8	4	
9	450410	Wshr-SLW M6	4	
10	4163587	Hose Assembly	1	Bulkhead to Cutter Valve 'M2'
11	4163588	Hose Assembly	1	Bulkhead to Cutter Valve 'M1'
12	4163589	Hose Assembly	1	Bulkhead to Drain Manifold
13	002600640	3/8" BSPP Dowty Seal	1	
14	002600850	1/2" BSPP Dowty Seal	1	
15	4124085	QRC Bung (Red)	1	From S/N FR000476 & FY000348
16	4185262	QRC Bung (Yellow)	1	From S/N FR000476 & FY000348
17	4163524	QRC-3/8"BSPP Female	1	From S/N FR000500 & FY000348

ROTARY DECK MOTOR, CASAPPA (4177941)

Illustration Number: 4118247

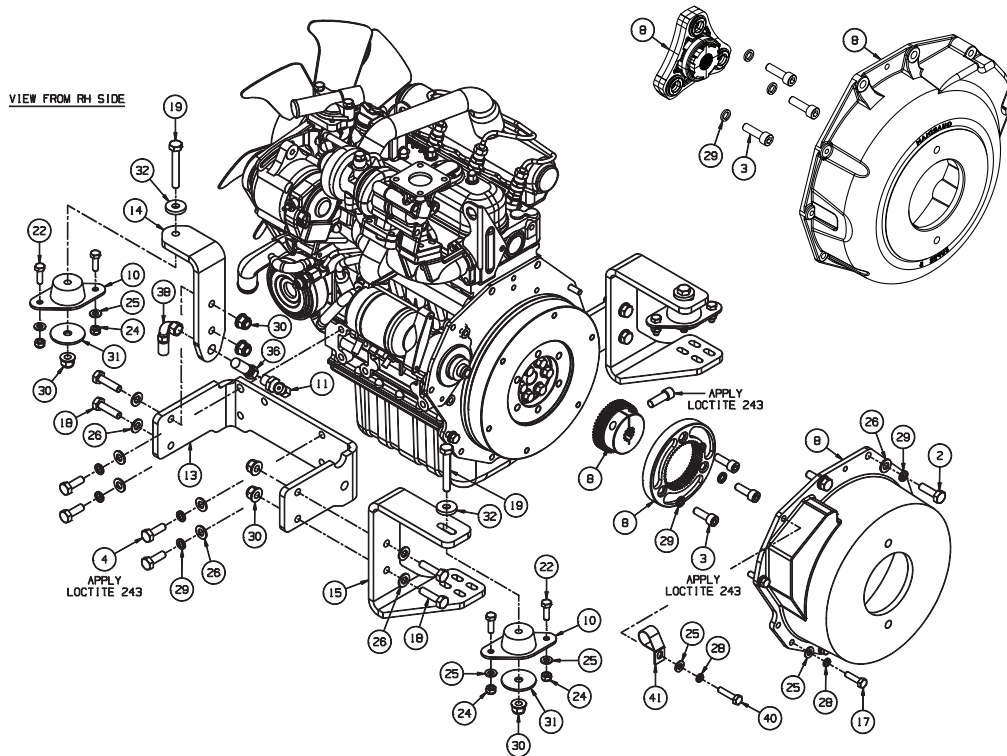
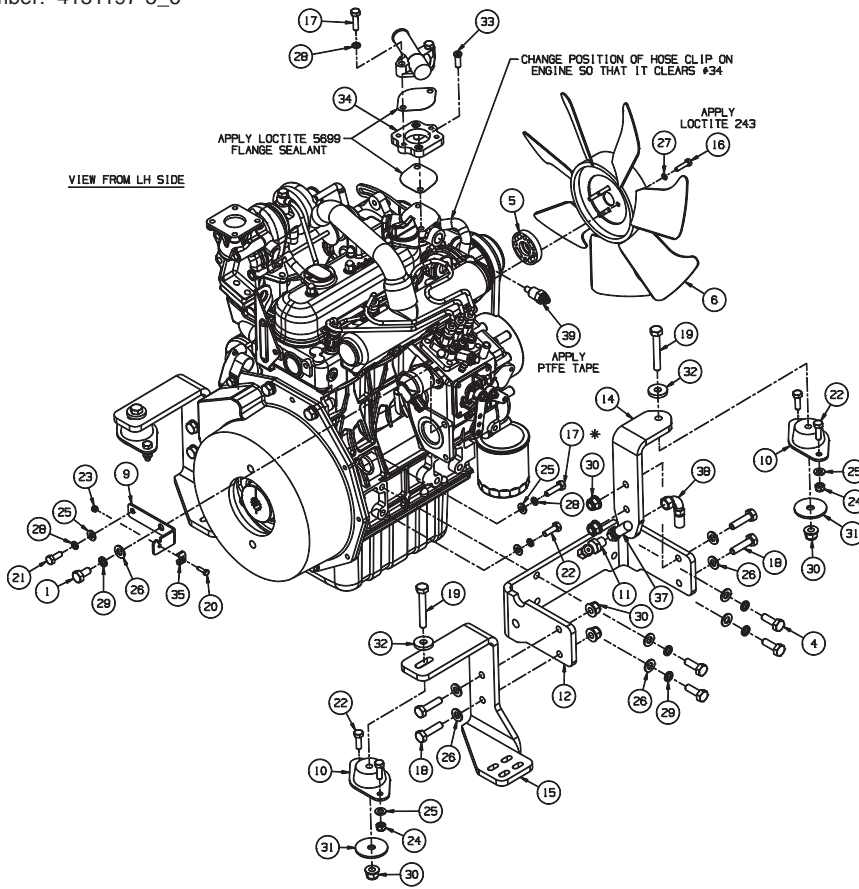


## ROTARY DECK MOTOR, CASAPPA (4177941)

ITEM	PART NO.	DESCRIPTION	QTY.	
	4177941	Hydraulic Motor	1	Casappa
1		• Front Cover	1	
2		• Check Valve Body	1	
3		• Thrust Plate	1	
4		• Thrust Plate	1	
5		• Thrust Plate	1	
6		• Drive shaft	1	
7		• Driven gear	1	
8		• Screw	4	
9		• Washer	4	
10		• Seal	2	
11		• O Ring	1	
12		• Seal	2	
13		• Shaft Seal	1	
14		• Shaft Seal	1	
15		• Shaft Seal	1	
16		• Steel Ring	1	
17		• Steel Ring	1	
18		• Anti Extrusion Ring	2	
19		• Sleeve Bearing	2	
20		• Key	1	
21		• Sleeve Bearing Holder	1	
22		• Support Shaft	1	
23		• Ball	1	
24		• Dowl Pin	1	
25		• Dowl Pin	2	
26		• Steel Plug	2	
27		• Body	1	
	4177943	Seal Kit	1	

ENGINE AND MOUNTING

Illustration Number: 4151197-5\_6



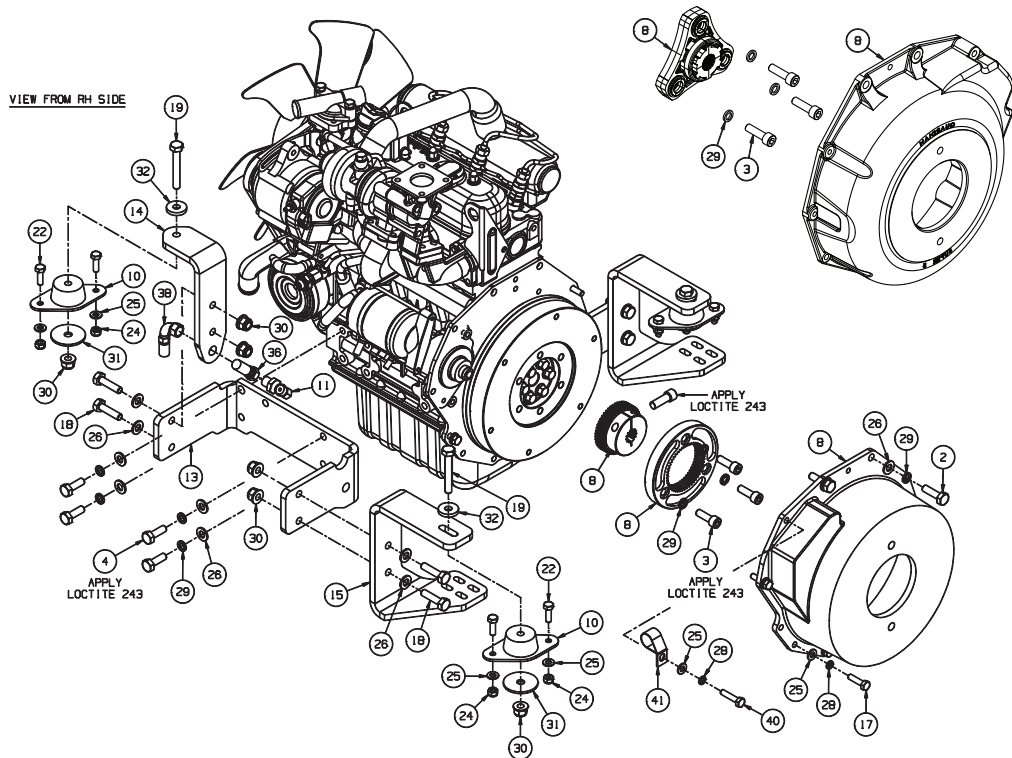
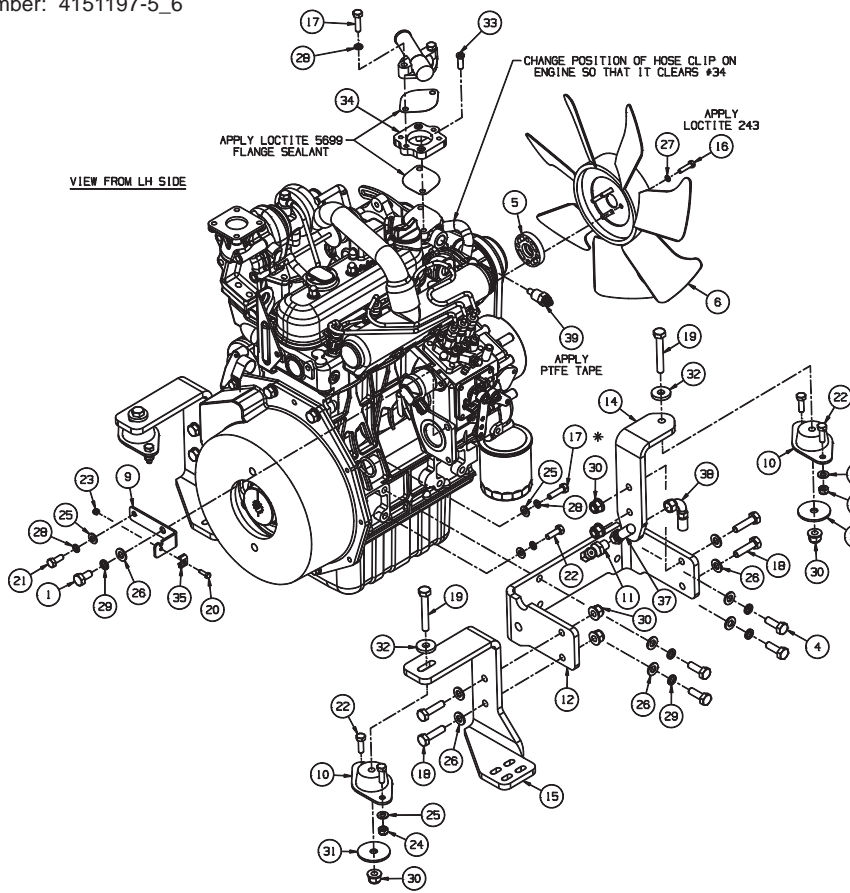


## ENGINE AND MOUNTING

ITEM	PART NO.	DESCRIPTION	QTY.	
1	001190327	Scrw-Hex M10-1.25 x 20	1	
2	001191520	Scrw-Hex M10-1.25 x 35	2	
3	001290140	Capscrew-Sckt M10-1.25 x 30	3	
4	006820550	Scrw-Hex M10-1.25 x 30	8	
5	006822150	Fan Spacer-10 mm	1	
6	4130987	Fan-370 Dia, 7-Blade	1	
7	4174101	Engine-Kubota D1105T	1	
8	4132141	Kit-Bell Housing & Coupling	1	
*	008902420	• Pump Hub	1	
*	2208048-01	• Bell Housing	1	
*	2208048-02	• Nylon Flange	1	
8	4176380	Kit-Bell Housing & Coupling	1	
*	4172800	• Bell Housing (Cast Iron)	1	
*	4196203	• Coupling-13T, Delta Super 5	1	
9	4137049	Throttle Bracket	1	
10	2218106	Isolator-Vibration	4	
11	4140337	90 Blkhd-9/16 ORFS	2	
12	4150677	Bracket-Engine Mount LH	1	
13	4150678	Bracket-Engine Mount RH	1	
14	4150877	Mount-Engine, Rear	2	
15	4150918	Mount-Engine, Front	2	
16	450000	Bolt-Hex M6 x 25	4	
17	450014	Bolt-Hex M8 x 30	8	
18	450030	Bolt-Hex M10 x 40	8	
19	450036	Bolt-Hex M10 x 70	4	
20	450151	Scrw-Hex M5 x 16	1	
21	450191	Scrw-Hex M8 x 20	1	
22	450192	Scrw-Hex M8 x 25	9	
23	450376	Nut-Hex M5 Nyloc	1	
24	450378	Nut-Hex M8 Nyloc	8	
25	450390	Wshr-M8 x 17 x 1.8	17	
26	450391	Wshr-M10 x 21 x 2.2	19	
27	450410	Wshr-SLW M6	4	
28	450411	Wshr-SLW M8	11	
29	450412	Wshr-SLW M10	14	
30	452437	Nut-Nyloc M10 Flng	12	
31	64163-27	Wshr-.453 x 2 x 11GA	4	
32	MBE4682	Wshr-11 x 30 x 5	4	
33	MBG4067	Scrw-Thermo Hsg	2	

ENGINE AND MOUNTING

Illustration Number: 4151197-5\_6

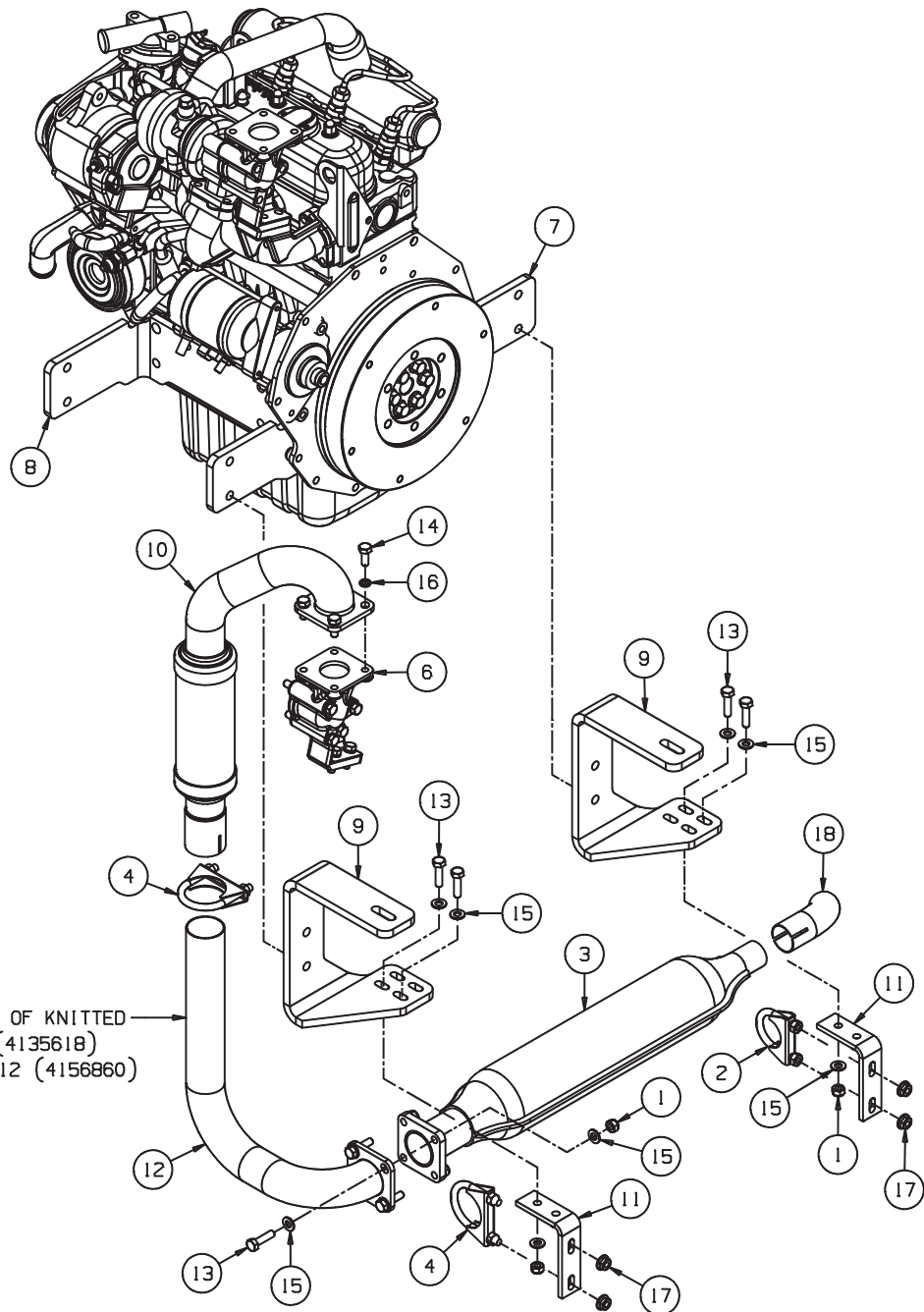


## ENGINE AND MOUNTING

ITEM	PART NO.	DESCRIPTION	QTY.	
34	MBG4164	Spacer-Thermo Hsg	1	
35	W022372	Throttle Clamp	1	
36	4163581	Hose Assembly	1	Bulkhead to Steer Valve R
37	4163580	Hose Assembly	1	Bulkhead to Steer Valve L
38	4163590	Hose Assembly	2	Bulkhead to Steering Ram
39	4143246	Temperature Sender	1	
40	450015	Bolt-Hex M8 x 35	1	
41	469016509	P Clip	1	

TURBO ENGINE EXHAUST

Illustration Number: 4150577-3

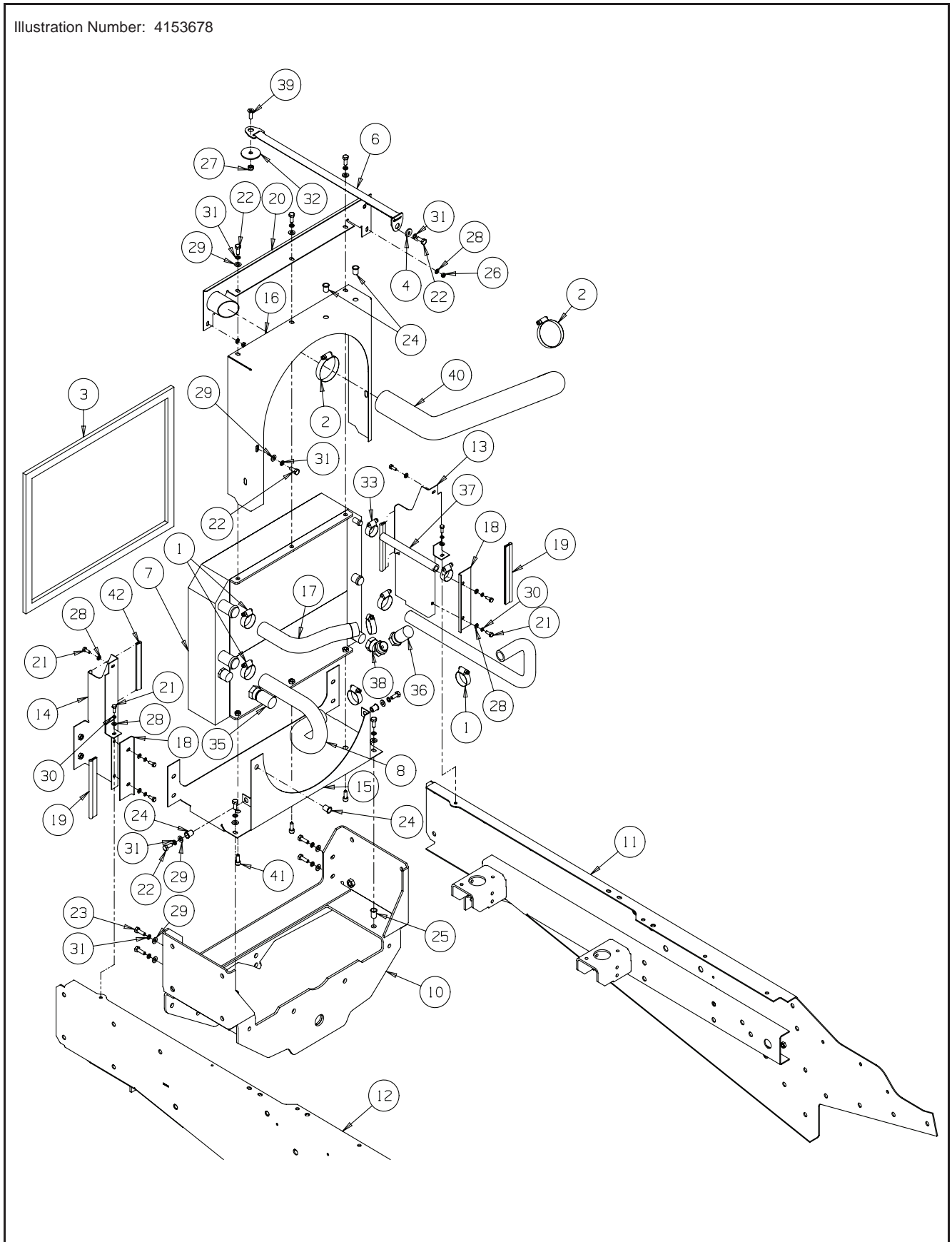


## TURBO ENGINE EXHAUST

ITEM	PART NO.	DESCRIPTION	QTY.	
1	001339050	Nut-Hex M8 Staylite	8	
2	001990399	U-Clamp, 1.3/8"	1	
3	16286-12111	Muffler	1	Ex-Kubota
4	4116132	U-Clamp 48 mm	2	
5	4174101	Engine-Kubota D1105T	1	
6	4150357	Kit-Exhaust Flange	1	
7	4150677	Bracket-Engine Mount LH	1	
8	4150678	Bracket-Engine Mount RH	1	
9	4150918	Mount-Engine, Front	2	
10	4151157	Wldmt-Exhaust Pipe, Engine	1	
11	4156120	Bracket-Exhaust Mtg	2	
12	4156860	Wldmt-Exhaust Pipe, Muffler	1	
13	450014	Bolt-Hex M8 x 30	8	
14	450191	Scrw-Hex M8 x 20	4	
15	450390	Wshr-M8 x 17 x 1.8	16	
16	450411	Wshr-SLW M8	4	
17	450453	Nut-Hex M8 Verbus Ripp	4	
18	MBC1264	Tailpipe	1	
19 *	4135618	Knitted Silica Sleeve	1	500 mm Required

RADIATOR

Illustration Number: 4153678

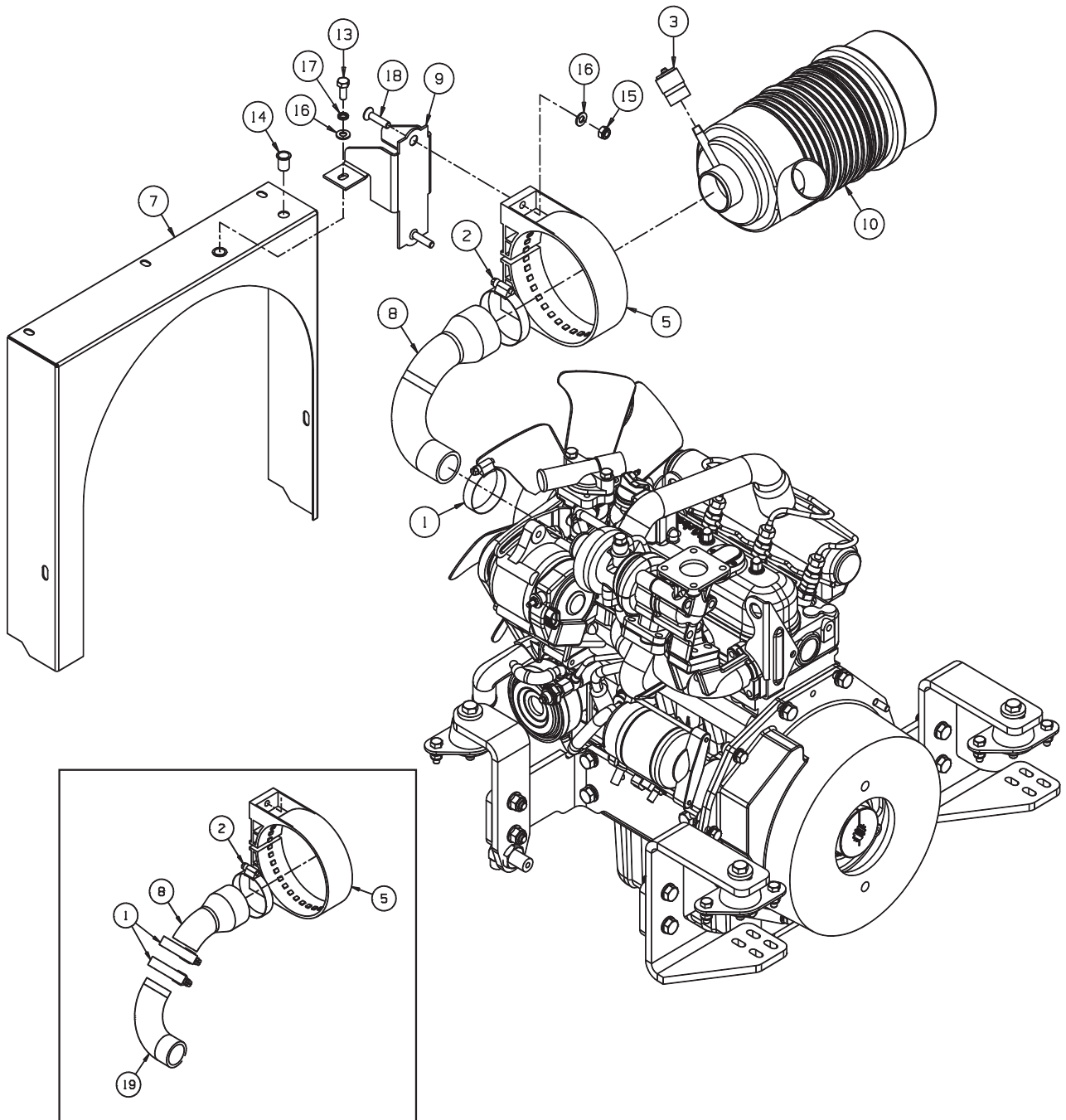


## RADIATOR

ITEM	PART NO.	DESCRIPTION	QTY.	
1	001925400	Hose Clamp, 19-40	6	
2	001925700	Hose Clamp, 23-70	2	
3	009001800	Bugscreen	1	
4	009072070	Wshr-M8 x 22 x 3	1	
5	113006-01	Spacer-0.321 x 0.5 x 0.188	1	Fitted up to FR000321 & FY000311
6	4139965	Lanyard	1	
7	4130963	Asm-Radiator/Cooler	1	
8	4132119	Hose-Lower Radiator	1	
9	4137196	Hose-Air Cleaner Intake	1	Fitted up to FR000321 & FY000311
10	4150460	Wldmt-Rear Frame	1	
11	4151977	Wldmt-Frame Rail LH	1	
12	4151978	Wldmt-Frame Rail RH	1	
13	4153537	Wldmt-Radiator Frame LH	1	
14	4153538	Wldmt-Radiator Frame RH	1	
15	4153541	Wldmt-Radiator Support	1	
16	4153617	Shroud-Radiator	1	
17	4160362	Hose-Upper Radiator	1	
18	4161441	Radiator Surround Seal	2	
19	4162760	Radiator Chassis Seal	2	
20	4165320	Wldmt-Radiator Top Surround	1	
21	450170	Scrw-Hex M6 x 16	8	
22	450191	Scrw-Hex M8 x 20	9	
23	450192	Scrw-Hex M8 x 25	4	
24	450369	M8 Nutsert	5	
25	450370	M8 Nutsert	2	
26	450377	Nut-Hex M6 Nyloc	2	
27	450378	Nut-Hex M8 Nyloc	1	
28	450389	Wshr-M6 x 12.5 x 1.8	10	
29	450390	Wshr-M8 x 17 x 1.8	12	
30	450410	Wshr-Slw M6	6	
31	450411	Wshr-Slw M8	13	
32	64163-17	Wshr-25/64 x 2 x 11g	1	
33	001925320	Hose-Clamp, 13-32	2	
34	4157740	Hose-Expansion Tank	1	
35	4163597	Hose Assembly	1	Oil Cooler to Trans' Pump Case Drain
36	4163598	Hose Assembly	1	Oil Cooler to Drain Manifold
37	4163951	Hose-1/2" Bore x 0.7M	1	
38	4167623	Ftg-3/4" BSP M x Swivel F 45 Deg	1	
*	87000104	• Seal	1	3/4" BSP
39	450634	Scrw-Csk M8 x 25	1	
40	4169140	Hose-Air Intake	1	Fitted from FR00322 & FY000312
41	450723	Capsrw-Sckt M8 x 20	3	Fitted from FR000537 & FY000353
42	4230760	Edge Seal-144mm Lg	2	Fitted from FR000643 & FY000370

AIR CLEANER MOUNTING

Illustration Number: 4154142-2



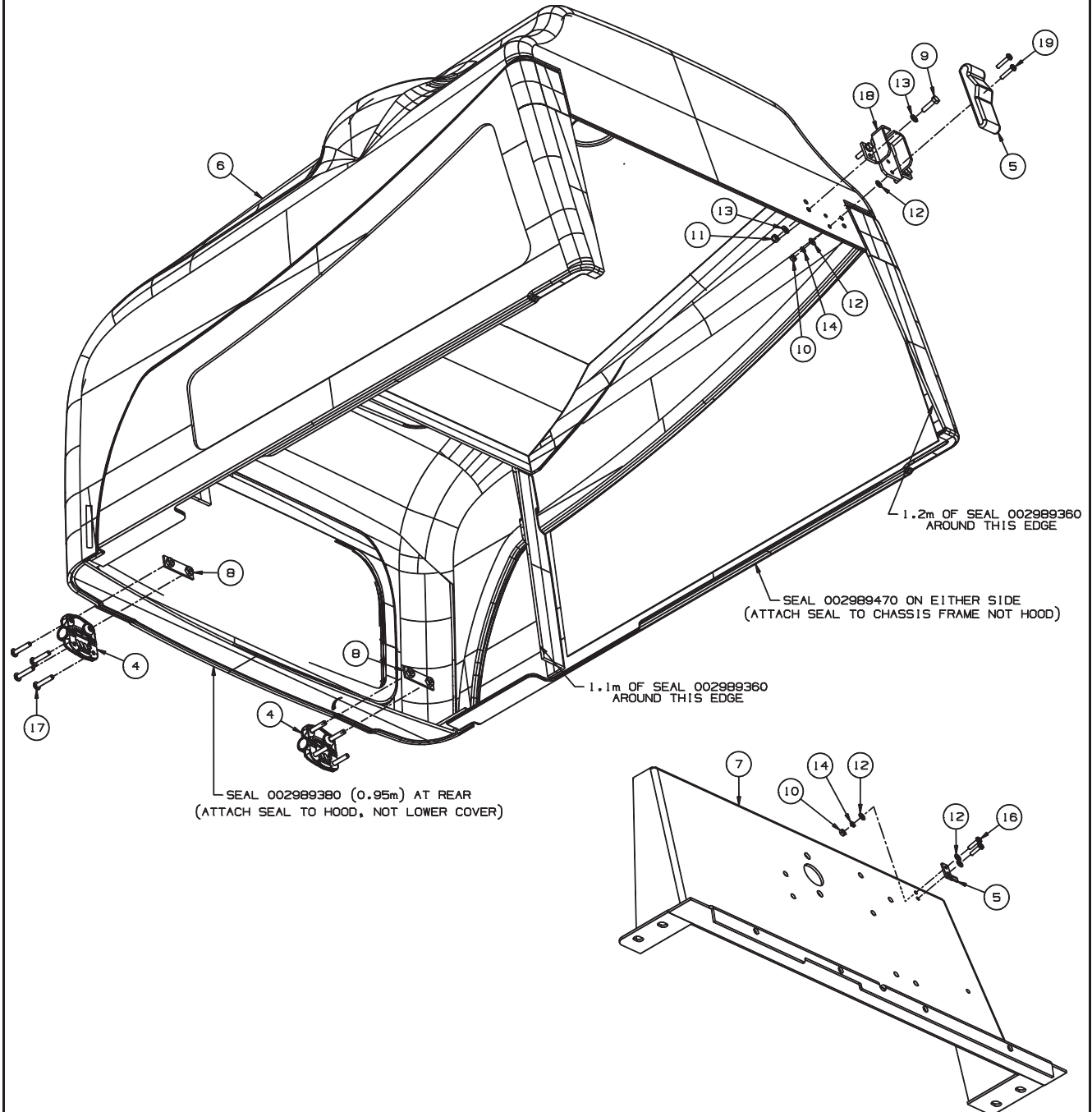


## AIR CLEANER MOUNTING

ITEM	PART NO.	DESCRIPTION	QTY.	
1	001925570	Hose Clamp, 34-57	3	2 extra for Tier 3 engines
2	001925700	Hose Clamp, 23-70	1	
3	008109680	Restriction Indicator	1	
4				
5	4133245	Mounting Band 5" Plastic	1	
6				
7	4153617	Shroud-Radiator	1	
8	4154240	Hose-Engine Air Intake	1	for Tier-2 engines
8*	4181280	Hose-Engine Air Intake-Upper	1	for Tier-3 engines
9	4154280	Bracket-Air Cleaner	1	
10	4155780	Air Cleaner (Straight Outlet)	1	
*	2198147-02	• Valve-Dust Unloader	1	
*	2198147-03	• Cover	1	
*	2198147-04	• Cover Clip	2	
*	4155781	• Element	1	
11				
12				
13	450191	Scrw-Hex M8 x 20	2	
14	450369	M8 Nutsert	2	
15	450378	Nut-Hex M8 Nyloc	2	
16	450390	Wshr-M8 x 17 x 1.8	4	
17	450411	Wshr-SLW M8	2	
18	450868	Scrw-Sckt Csk M8 x 35	2	
19	4181281	Hose-Engine Air Intake-Lower	1	for Tier-3 engines

ENGINE HOOD

Illustration Number: 4152877

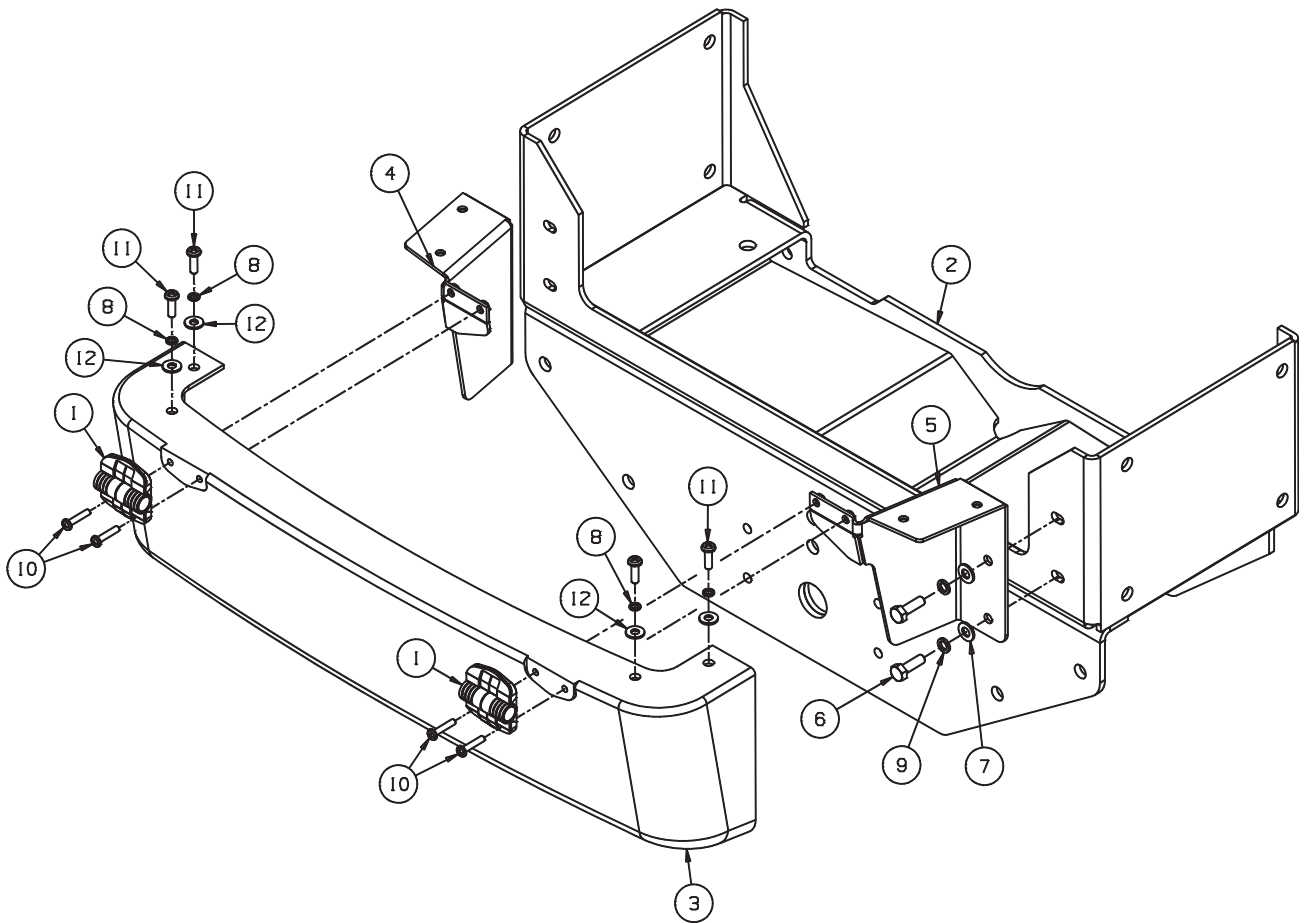


## ENGINE HOOD

ITEM	PART NO.	DESCRIPTION	QTY.	
1	002989360	Seal	1	1.1 m & 1.2 m Required
2	002989380	Seal	1	0.95 m Required
3	002989470	Seal	2	0.52 m Required
4	002991040	Hinge	2	
5	2198112	Latch	1	Complete Latch Assembly
6	4135098	Asm-Engine Hood (Green)	1	Colour - Green
7	4135856	Wldmt-Bulkhead	1	
8	4164402	Wldmt-Brace Bonnet Fastening	2	
9	450152	Scrw-Hex M5 x 20	4	
10	450321	Nut-Hex M4	4	
11	450376	Nut-Hex M5 Nyloc	4	
12	450387	Wshr-M4 x 9 x 0.9	8	
13	450388	Wshr-M5 x 10 x 1.1	8	
14	450408	Wshr-SLW M4	4	
15				
16	450519	Scrw-Pan Hd M4 x 16	2	
17	450530	Scrw-Pan Hd M5 x 25	8	
18	MBG6720	Brkt, Hood Latch	1	
19	450520	Scrw-Pan Hd M4 x 20	2	

LOWER COVER

Illustration Number: 4156283-2

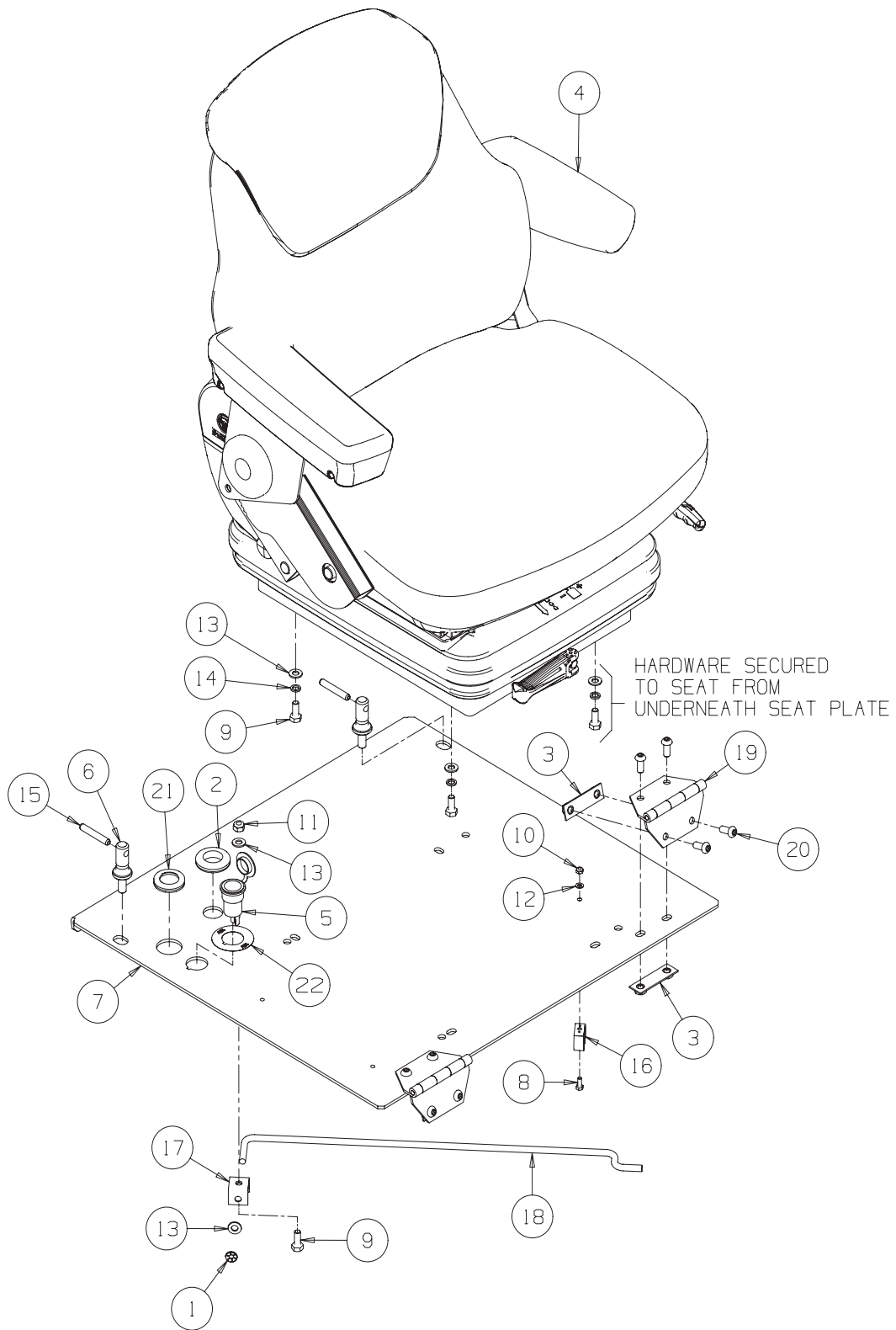


## LOWER COVER

ITEM	PART NO.	DESCRIPTION	QTY.	
1	002991040	Hinge	2	
2	4150460	Wldmt-Rear Frame	1	
3	4155886	Cover-Lower	1	
4	4156100	Wldmt-Hinge Bracket LH	1	
5	4156101	Wldmt-Hinge Bracket RH	1	
6	450192	Scrw-Hex M8 x 25	4	
7	450390	Wshr-M8 x 17 x 1.8	4	
8	450410	Wshr-SLW M6	4	
9	450411	Wshr-Slw M8	4	
10	450530	Scrw-Pan Hd M5 x 25	4	
11	450542	Scrw-Pan Hd M6 x 20	4	
12	452100019	Wshr-1/4 x 5/8 x .064	4	

SEAT

Illustration Number: 4152957

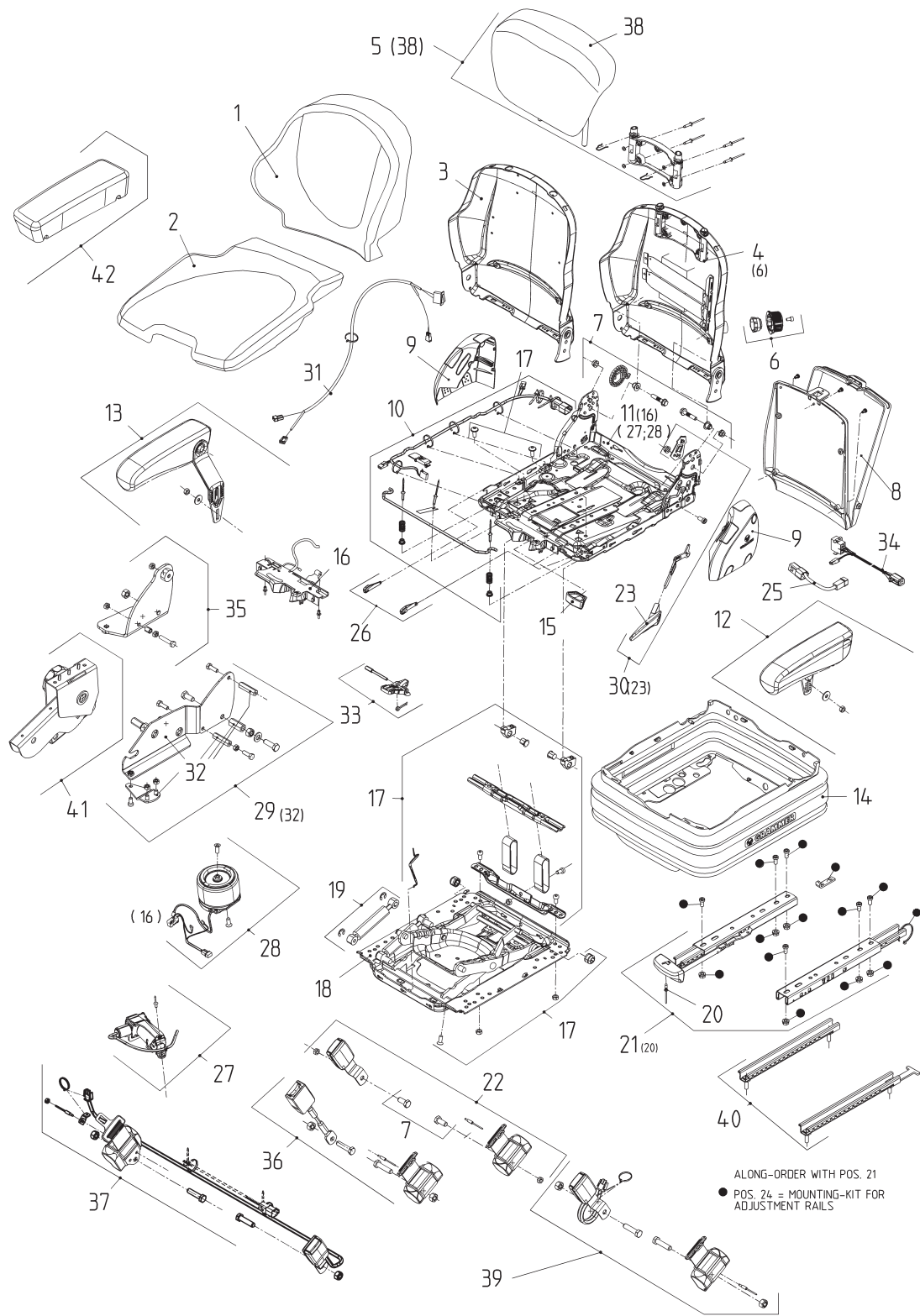


## SEAT

ITEM	PART NO.	DESCRIPTION	QTY.	
1	001399171	8mm Star Ring	1	
2	002953420	Grommet-25.4 x 44.5 x 9.9	1	
3	4118558	Wldmt-Keep Plate	4	
4	4140320	Seat-Grammer MSG85	1	
4	4164150	Seat-Grammer MSG75	1	
5	4138885	Accessory Socket - Large	1	
6	4139693	Seat Plate Stud	2	
7	4155861	Seat Plate	1	
8	450149	Scrw-Hex M5 x 12	1	
9	450191	Scrw-Hex M8 x 20	5	
10	450376	Nut-Hex M5 Nyloc	1	
11	450378	Nut-Hex M8 Nyloc	1	
12	450388	Wshr-M5 x 10 x 1.1	1	
13	450390	Wshr-M8 x 17 x 1.8	6	
14	450411	Wshr-Slw M8	4	
15	451498	Pin-Spirol 8 x 50	2	
16	838225	Spring Clip	1	
17	MBG1979	Bracket-Stay	1	
18	MBG1978	Seat Plate Stay	1	
19	MBG2013.07	Hinge-Seat Plate	2	
20	4142288	Scrw-Pan Hd M8 x 20 Torx	8	
21	002953320	Grommet	1	
22	4164660	Decal-Auxiliary Power Socket 12v	1	

SEAT, GRAMMER MSG 75 (4164150)

Illustration Number: 1123951



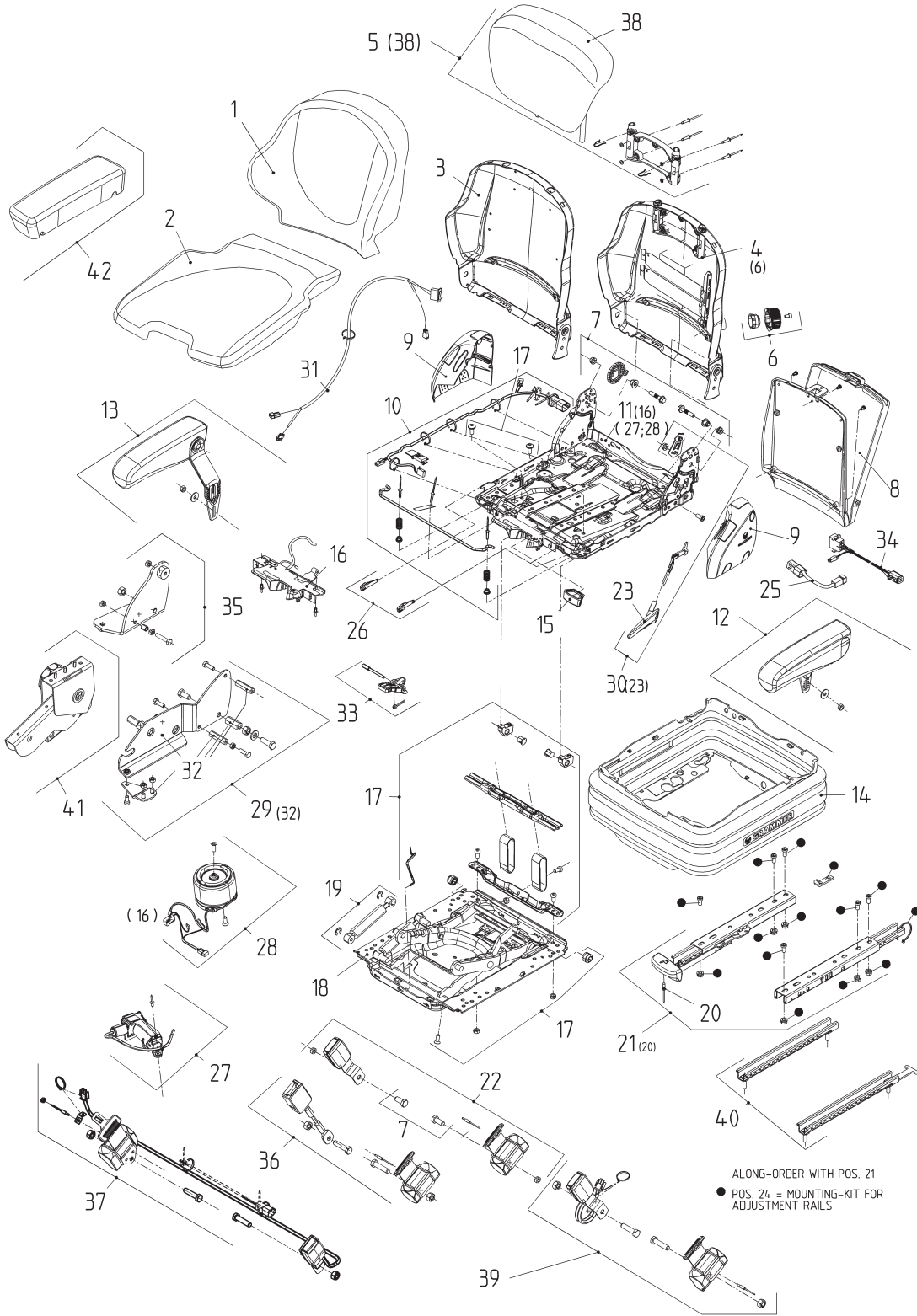


## SEAT, GRAMMER MSG 75 (4164150)

ITEM	PART NO.	DESCRIPTION	QTY.	
	4164150	Air Suspension seat with MFA		
1		• Backrest Cushion	1	1124129
1		• Backrest Cushion	1	1124128
1		• Cushion Kit,Back,Blk	1	1093669
1	4205281	• Cushion Kit,Back,Blk	1	1081372
2		• Seat Cushion	1	1124127
2		• Seat Cushion	1	1124126
2		• Cushion Kit,Seat,Blk	1	1093665
2	4205280	• Cushion Kit,Seat,Blk	1	1081374
4		• Backrest Kit	1	1079658
5		• Backrest Extension	1	1125006
5		• Backrest Ext Int Kit	1	1081762
6		• Handle Kit,Grey	1	1081761
7		• Fixing Parts Kit,Back	1	1079661
8		• Literature Box Kit	1	1094723
9		• Side Cover Kit	1	1081375
10	4228780	• Ops Switch Kit	1	1079667
11		• Suspension Msg75 12v	1	1090899
12		• Armrest Assy,A60/320	1	1079671
13		• Armrest Assy,A60/320	1	1079670
14		• Bellows	1	1090900
15		• Handle	1	1078789
16	4228080	• Housing	1	1093843
17		• Set Of Wearing Parts	1	1090906
18		• Swing Arm	1	1090908
19		• Shock Absorber Kit	1	1081800
20		• Handle Kit,Grey	1	1081426
21		• Set Of Adjustment Rails	1	1117079
22		• Seatbelt Kit,Duo,LH	1	1079674
23		• Handle	1	1071081
24		• Fixing Parts	1	1094132
27		• Compressor 12v	1	1104003
28	4228081	• Air Spring	1	1104010
29		• Armrest Support	1	1107854
30		• Backrest Adjustment	1	1105461
33		• Lever	1	1104004
35	4205282	• Headrest Cushion	1	1079613
38		• Backrest Extension,Bracket	1	1053033
38		• Backrest Extension	1	1105077

SEAT, GRAMMER MSG 75 (4164150)

Illustration Number: 1123951



## SEAT, GRAMMER MSG 75 (4164150)

ITEM	PART NO.	DESCRIPTION	QTY.	
41		• Adjustment Unit	1	137390
42		• RH Armrest	1	140353 (Not 4164150)
43		• RH Armrest / MFA	1	(4164150 only)



## SEAT, GRAMMER MSG 85 (4140320)

ITEM	PART NO.	DESCRIPTION	QTY.
	4140320	Mechanical Suspension seat with MFA	1
5	008173680	• Cover	1
6		• Kit, Suspension Upper	1
11		• Kit, Bellow	1
15	008173790	• Bolt	1
16	008173800	• Bushing	4
18	008199900	• Swing Arm Kit	1
19		• Bolt	1
20	008173780	• Roller	4
21	008173820	• Plate	1
22		• Tension Spring	2
23	008173830	• Release Plate	2
24	008173840	• Bolt	1
25	008173710	• Bolt, M8 x 22, Yellow	2
26	008199680	• Kit, Shock Absorber, S	1
27	008173720	• Washer, Retaining, 5 mm	2
28	4197064	• Fork	1
29	008173740	• Rivet, 4.0 x 10.0	2
30		• Bracket, U-Shaped Pro	1
31	008173760	• Rubber Plate	1
32	008173730	• Bumper Set	1
33	008173870	• Thrust Washer Kit	1
35	008144410	• Spring, Tension	2
36	008173880	• Nut, M12, Flange	1
37	008173910	• Spring Bracket	1
38	008173930	• Plug, Retainer	1
39		• Pin, 3.0 x 16	1
40		• Pin, 4 x 28	1
41		• Handle (Toggle)	1
42		• Adjustment Spindle	1
43	008173950	• Guide	1
44	008193960	• Roller	1
45	008193920	• Band, Weight, 130 kg	1
46	008173940	• Tension Spring	1
47		• Bushing	1
52	4228181	• Suspension Lower Par	1
53		• Fixing Parts	1
55	4228180	• Suspension MSG85	1
57		• Screw, M6 x 12	2



## SEAT, GRAMMER MSG 85 (4140320)

ITEM	PART NO.	DESCRIPTION	QTY.	
58	008174000	• Ties, Cable, 2.5 x 102	2	
59		• Switch	1	
60		• Connector, Electrical	1	





## SEAT, GRAMMER MSG 85 (4140320)

ITEM	PART NO.	DESCRIPTION	QTY.
1		• Assy, Cushion, Backrest	1
2		• Assy, Cushion, Seat	1
3		• Screw, M5 x 25, Pan Hd	7
4		• Seat Pan	1
5		• Backrest Pan Kit	1
7		• Tube	2
8		• Backrest Extension	1
22		• Tube	2
23		• Screw, M8-1.25 x 40	2
24		• Rivet, 6 x 12	1
25		• Nut, Hex, M8-1.25	6
26	113048	• Nut, Hex, M8-1.25	2
27		• Lever	1
28		• Handle, Grey	1
29		• Cover, LH, Blk	1
33		• Cover, RH, Blk	1
34		• Screw M8 x 16	4
35		• Set of Adjustment Rails	1
36		• Nut, Hex M8-1.25	4
37		• Washer, Flat, M8	11
38		• Washer 8.4-Hv140	6
39		• Kit, Seatbelt, 2 Retractable	1
40		• Seatbelt, 2 Non-retractable	1
42		• Spring, Spiral	1
44		• Stop	1
46		• Bearing Kit	1
48		• Spring, Leg, Backrest	1
49		• Set of Adjustment Rails	1
54		• Screw, M8 x 16, Hex Socket	4
67		• Literature Box	1
68		• Blind Rivet 3.2 x 11.2	5
69		• Ball	5
88		• Armrest	1
	4138707	Multi-Function Arm Rest	1
70		• Adjustment Unit	1
71		• Arm Rest Support	1
72		• Screw	1

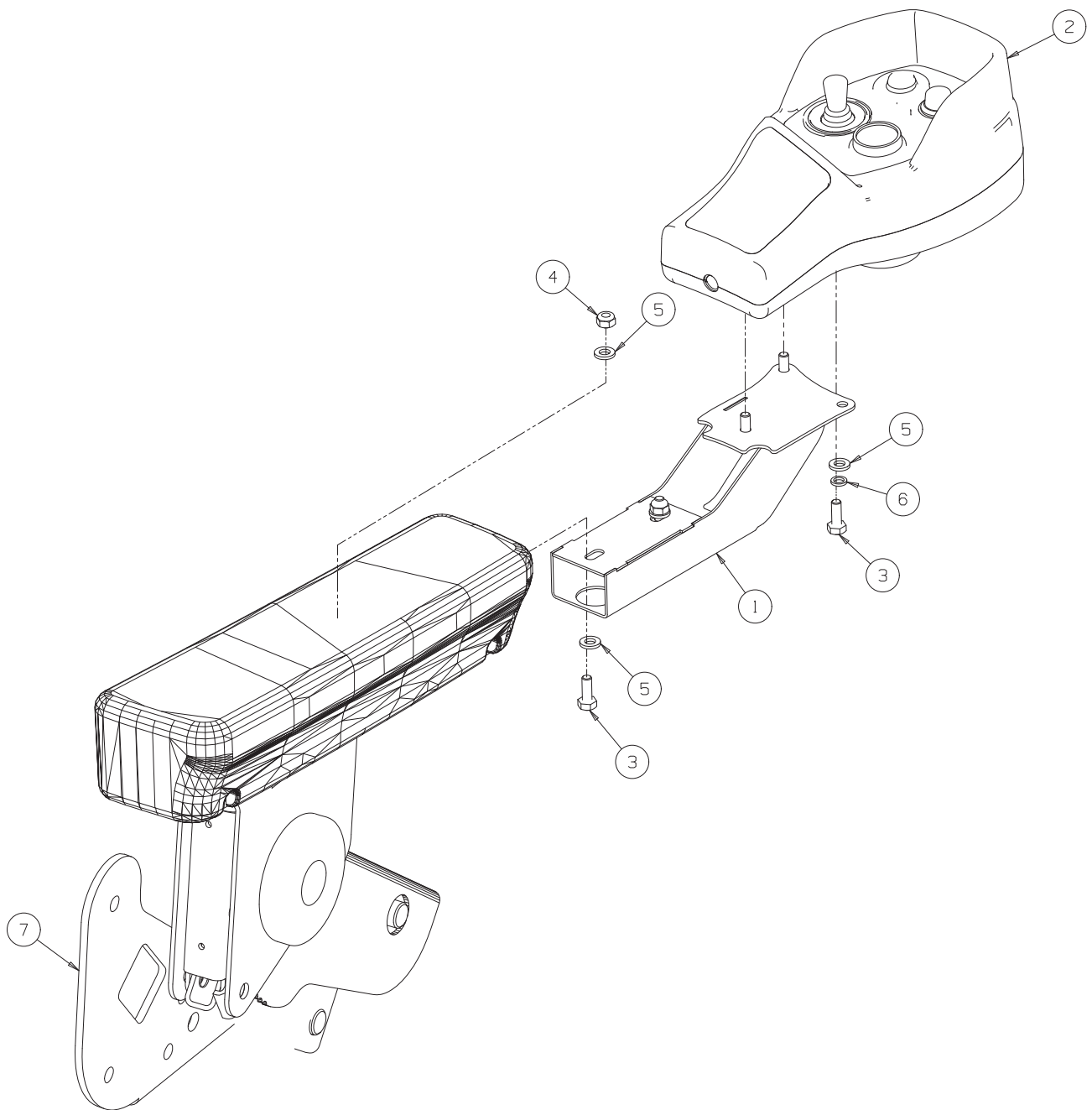


## SEAT, GRAMMER MSG 85 (4140320)

ITEM	PART NO.	DESCRIPTION	QTY.	
73		• Screw	1	
74		• Screw	2	
75		• Screw	2	
76		• Nut	2	
77		• Tube	1	
78		• Arm Cushion	1	
79		• U-profile	1	
80		• Screw	4	
81		• Nut	3	
82		• Adjustment Spindle	1	
83		• Adjustment Service KIT	1	

ARMREST POD MOUNTING

Illustration Number: 4161381

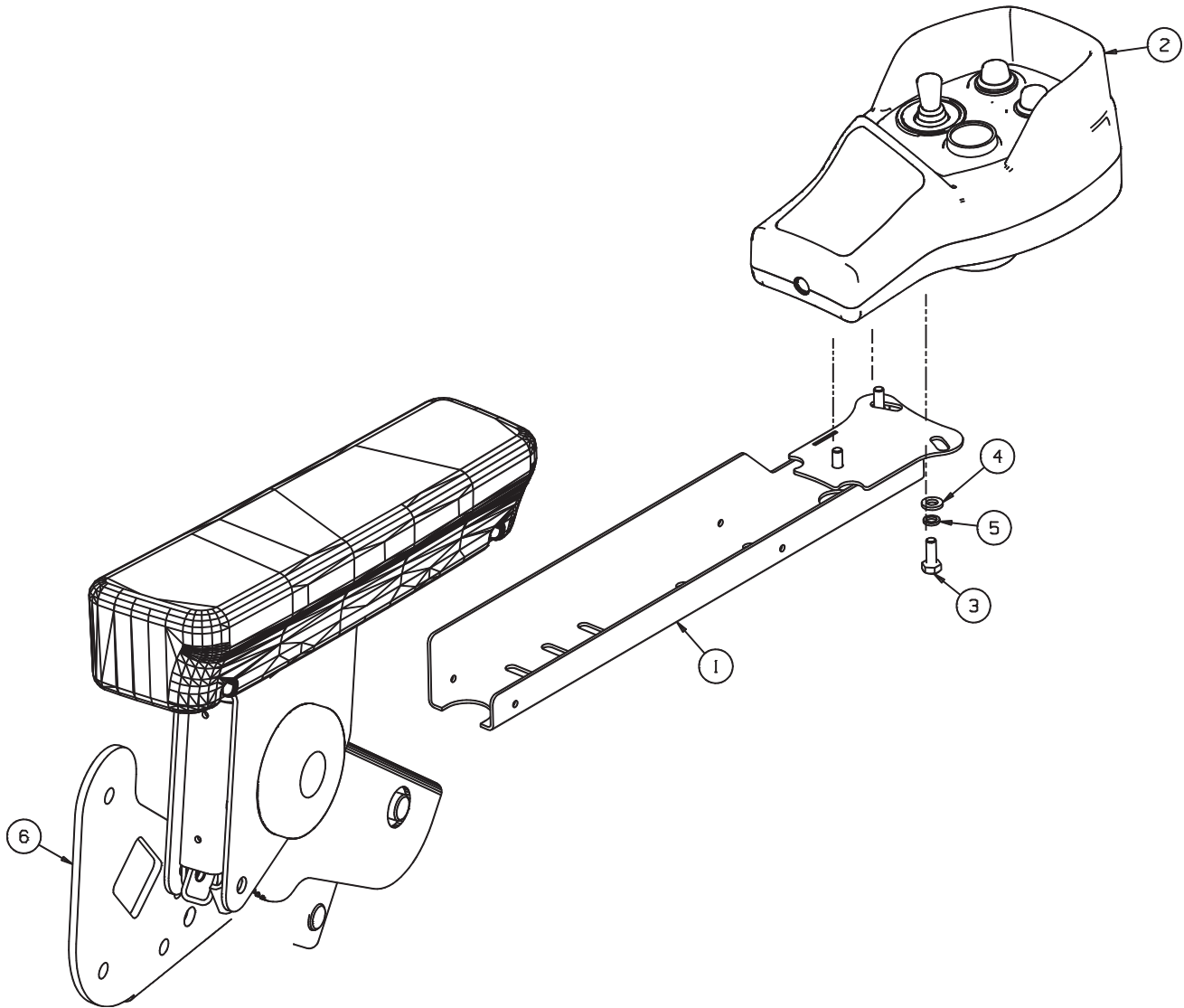


## ARMREST POD MOUNTING

ITEM	PART NO.	DESCRIPTION	QTY.	
1	4153485	Wldmt-Pod Mounting Bracket	1	
2	4161787	Armrest Pod Assembly	1	
3	450170	Scrw-Hex M6 x 16	5	
4	450377	Nut-Hex M6 Nyloc	2	
5	450389	Wshr-M6 x 12.5 x 1.8	7	
6	450410	Wshr-SLW M6	3	
7	-	Multi Function Armrest	1	

# ARMREST POD MOUNTING

Illustration Number: 4161381new



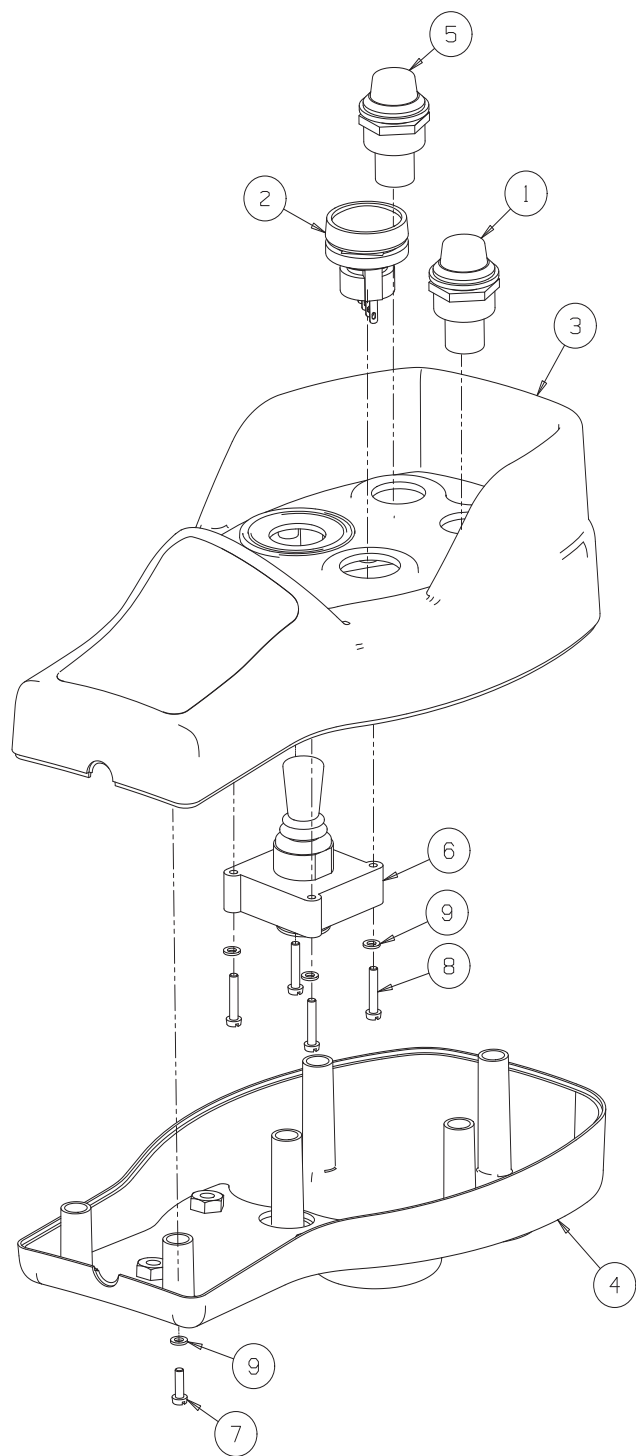
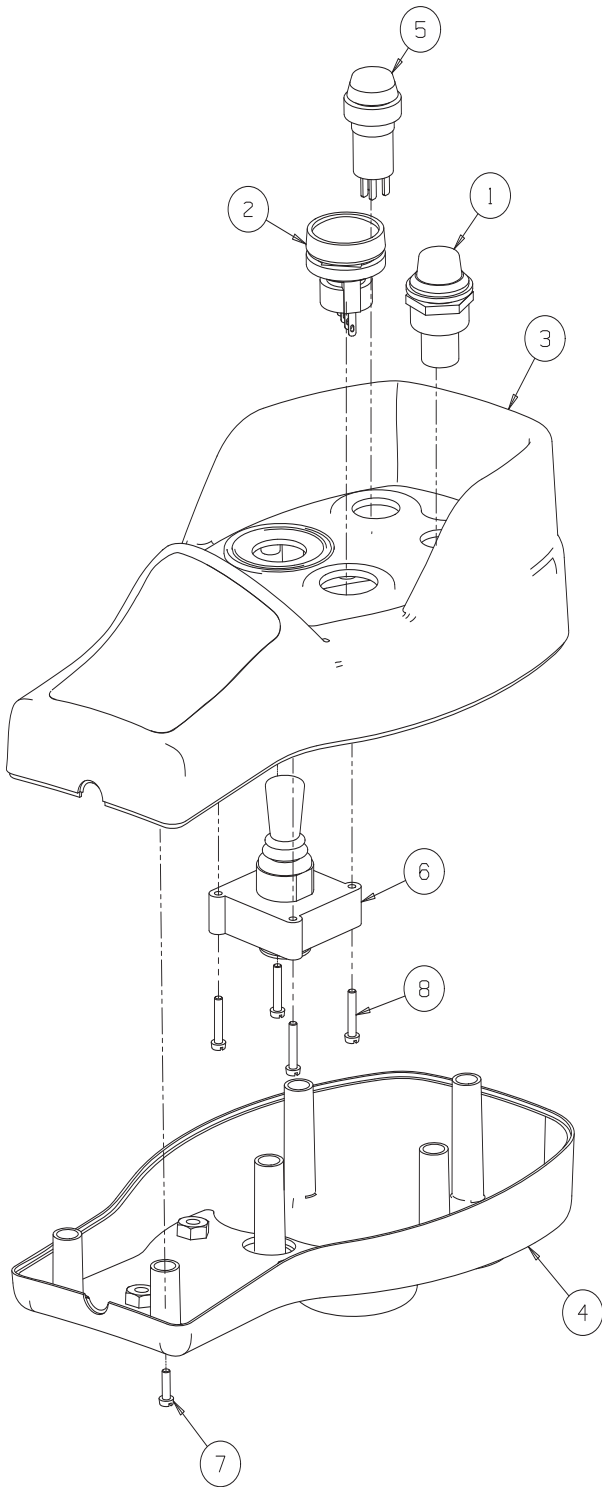
## ARMREST POD MOUNTING

ITEM	PART NO.	DESCRIPTION	QTY.	
1	4170260	Wldmt-Armrest Bracket	1	
2	4161787	Armrest Assembly	1	
3	450170	Scrw-Hex M6 x 16	3	
4	450389	Wshr-M6 x 12.5 x 1.8	3	
5	450410	Wshr-SLW M6	3	
6	-	Mutli-Function Armrest	1	

ARMREST POD

Illustration Number: 4161787

Illustration Number 4161787new







TRACTION PEDAL

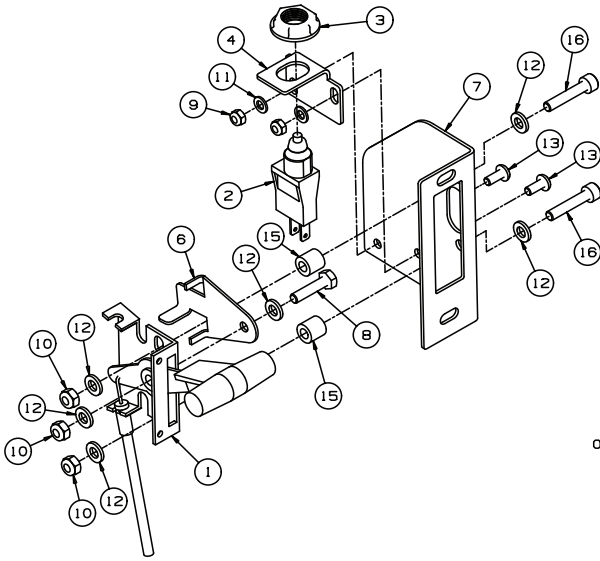


Illustration Number: 4157820-2

Parts shown on illustration number 4157820-2 used up to serial numbers FR000322 & FY000312. Parts used from FR000323 & FR000313 onwards shown on illustration number 4152999-2.

**\*\* IMPORTANT NOTE \*\***  
ORIENTATION OF DISC SPRINGS 002921109 (ITEM 4) MUST BE AS SHOWN

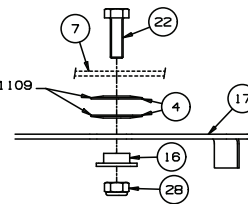


Illustration Number: 4152999-1

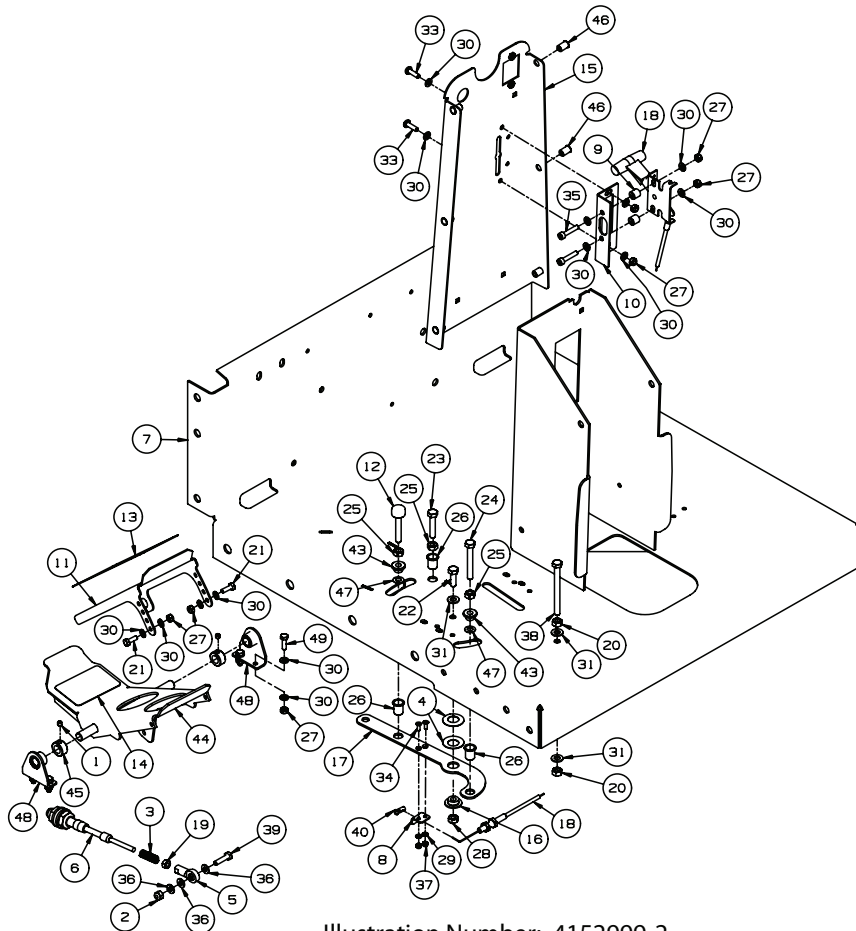


Illustration Number: 4152999-2

## TRACTION PEDAL

ITEM	PART NO.	DESCRIPTION	QTY.	
		Illustration Number: 4157820-2		
1	008111210	Cable Assy	1	
2	4235682	N/O Sealed Switch with Tags	1	FR000657, FY000371, FJ001019, FH001577.
3	4142766	5/8-18 UNF Plastic Nut	1	For 4142765
4	4157460	Bracket Micro-Switch	1	
6	4157980	Radial Micro-Switch Lever	1	
7	4158000	Bracket Mow/Transport Lever	1	
8	450000	Bolt-Hex M6 x 25	1	
9	450376	Nut-Hex M5 Nyloc	2	
10	450377	Nut-Hex M6 Nyloc	3	
11	450388	Wshr-M5 x 10 x 1.1	2	
12	450389	Wshr-M6 x 12.5 x 1.8	6	
13	450526	Scrw-Pan HD M5 x 12	2	
15	4157800	Spacer-6.4x12x5	2	
16	450714	Capscrw-Sckt M6 x 30	2	
		Illustration Number: 4152999-1 & 2		
1	001290379	Screw-Set 1/4-20 x 1/4	2	
2	001399121	Nut-Hex 1/4-28 Nyloc	1	
3	4172560	Sprg-Comp 11.13 x 1.42 x 31.75	1	
4	002920201	Sprg-Disc 8.2 x 16 x 0.9	3	To S/N FR000322 & FY000312
4	002921109	Sprg-Disc 16.3 x 31.5 x 0.8	2	From S/NFR000323 & FY000313
5	128079	1/4" Rod End	1	
6	4237903	Control Cable	1	
7	4152478	Wldmt-Platform	1	
8	4157562	Bracket-Cable Abutment	1	
9	4157800	Spacer-6.4x12x5	2	From S/NFR000323 & FY000313
10	4157820	Group-Mow Transport Lever	1	To S/N FR000322 & FY000312
10	4158000	Bracket Mow/Transport Lever	1	From S/NFR000323 & FY000313
11	4162211	Adj Footpedal Plate	1	
12	4179841	Reverse Stop, Traction Pedal	1	
13	4168467	Anti-Slip-Footpedal Fwd	1	
14	4168468	Anti-Slip-Footpedal Reverse	1	
15	4152618	Cover-Steering Tower	1	To S/N FR000322 & FY000312
15	4171280	Wldmt-Steer Tower (Screen Printed)	1	From S/NFR000323 & FY000313
16	4171600	Washer-Speed Governor Spacer	1	From S/NFR000323 & FY000313
17	MBG4323	Speed Governor Lever	1	To S/N FR000322 & FY000312
17	4171640	Lever-Speed Governor	1	From S/NFR000323 & FY000313

TRACTION PEDAL

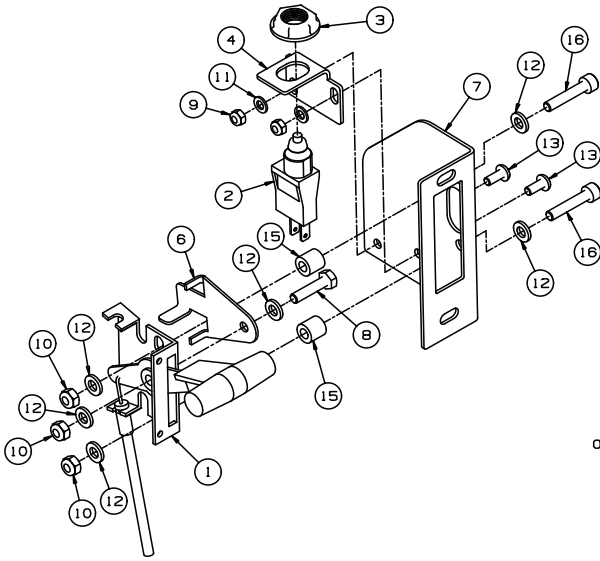


Illustration Number: 4157820-2

Parts shown on illustration number 4157820-2 used up to serial numbers FR000322 & FY000312.  
 Parts used from FR000323 & FR000313 onwards shown on illustration number 4152999-2.

**\*\* IMPORTANT NOTE \*\***  
 ORIENTATION OF DISC SPRINGS 002921109 (ITEM 4) MUST BE AS SHOWN

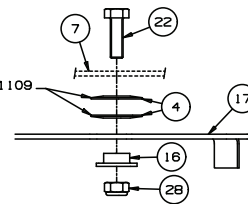


Illustration Number: 4152999-1

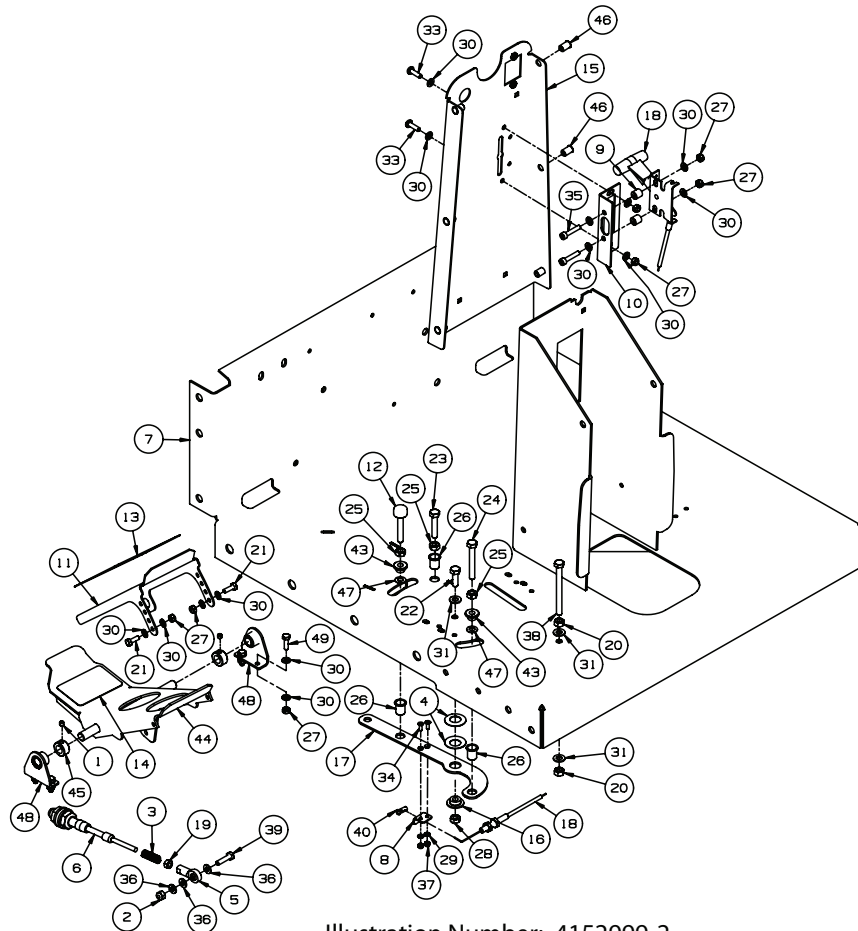


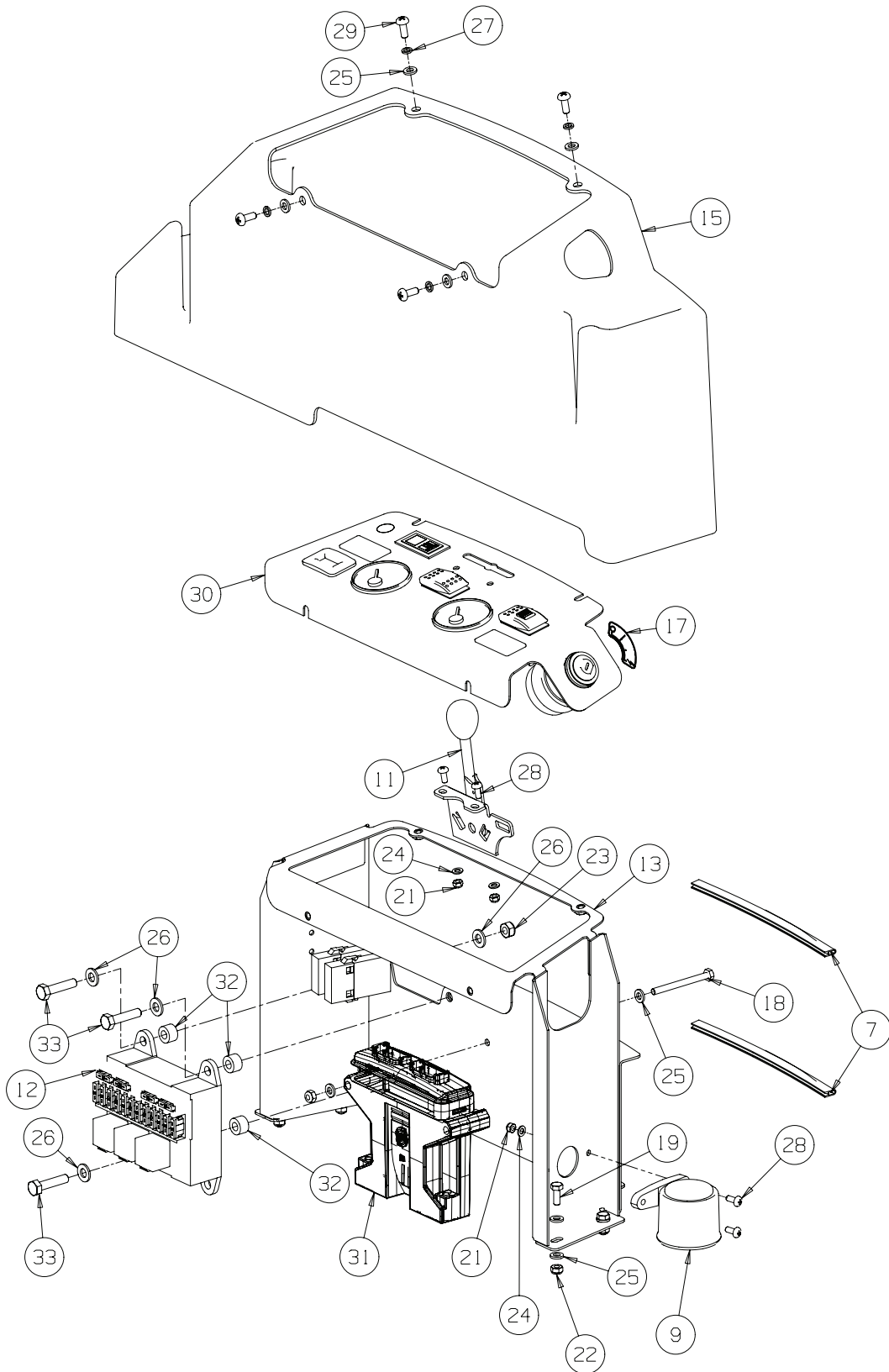
Illustration Number: 4152999-2

## TRACTION PEDAL

ITEM	PART NO.	DESCRIPTION	QTY.	
18	008111210	Cable Assy	1	To S/N FR000322 & FY000312
18	4171740	Cable-Mow/Transport Speed Select	1	From S/NFR000323 & FY000313
19	450020037	Nut-Hex 1/4-28	1	
20	450020053	Nut-Hex 5/16-24	2	
21	450170	Scrw-Hex M6 x 16	2	
22	450192	Scrw-Hex M8 x 25	1	
23	450195	Scrw-Hex M8 x 40	1	
24	450199	Scrw-Hex M8 x 60	1	From S/NFR000323 & FY000313
25	450324	Nut-Hex M8	3	
26	450369	M8 Nutsert	3	
27	450377	Nut-Hex M6 Nyloc	10	
28	450378	Nut-Hex M8 Nyloc	1	
29	450387	Wshr-M4 x 9 x 0.9	2	
30	450389	Wshr-M6 x 12.5 x 1.8	20	
31	450390	Wshr-M8 x 17 x 1.8	3	
33	450542	Scrw-Pan Hd M6 x 20	2	
34	450594	Scrw-Csk M4 x 12	2	
35	450714	Capscrew-Sckt M6 x 30	2	From S/NFR000323 & FY000313
36	452000211	Wshr-1/4 x 9/16 x .056	3	
37	452717	Nut-Hex M4 Nyloc	2	
38	456011395	Scrw-Hex 5/16-24 x 3-1/2	1	
39	456110024	Scrw-Hex 1/4 X 1	1	
40	804100288	Solderless Nipple	1	
43	MBF1552	Spacer	2	
44	4173461	Wldmt-Footpedal	1	
45	W43067A	Collar	2	
46	450357	Nutsert-M6	6	
47	002920501	Sprg-Disc 8.2 x 16 x 0.9	2	
48	4185740	Pedal Pivot Bracket	2	
49	450171	Scrw-Hex M6 x 20	4	

INSTRUMENT PANEL

Illustration Number: 4158580

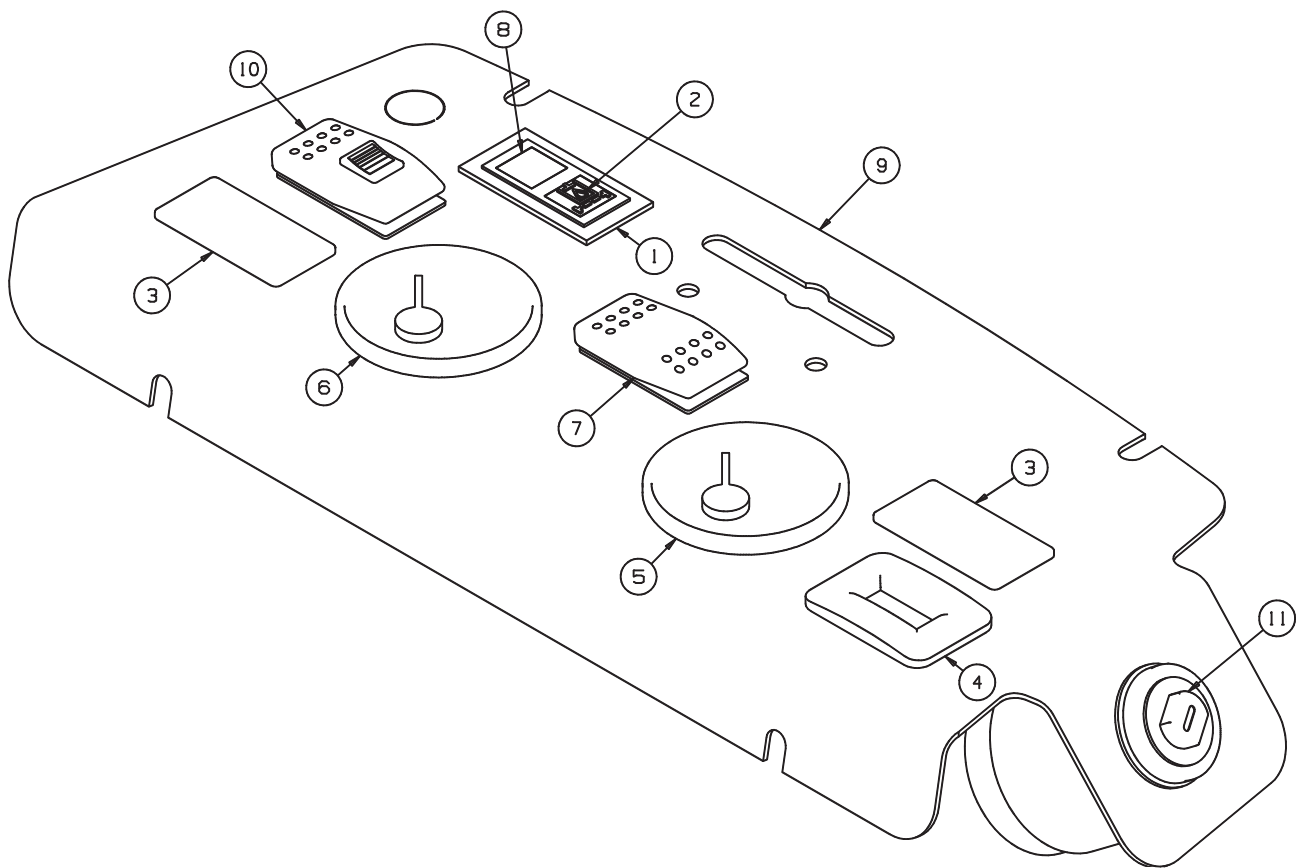


## INSTRUMENT PANEL

ITEM	PART NO.	DESCRIPTION	QTY.		
1	008233156	Fuse-5 Amp	4	Order 0.24 For Each Part	
2	008233164	Fuse-10 Amp	7		
3	008233172	Fuse-15 Amp	2		
4	008233180	Fuse-20 Amp	2		
5	008244545	Relay	3		
7	379050522	Beading	2		
8	4139775	Fuse-2 Amp	2		
9	4142655	Horn	1		
11	4150737	Throttle Control Lever	1		
12	4294532	Relay/Fuse Mounting Panel	1		
13	4158562	Wldmt-Instrument Cradle	1		
15	4160242	Instrument Panel Pod	1		
16	N/A	Fuse-40 Amp (Complete)	2		
*	4154600	• Fuse-40 Amp	1		
*	4154602	• Clear Top Cover	1		
*	4154603	• Fixing Plate	1		
17	4163243	Decal-Keyswitch	1		
18	450008	Bolt-Hex M6 x 65	2		
19	450170	Scrw-Hex M6 x 16	4		
21	450376	Nut-Hex M5 Nyloc	4		
22	450377	Nut-Hex M6 Nyloc	6		
23	450378	Nut-Hex M8 Nyloc	2		
24	450388	Wshr-M5 x 10 x 1.1	4		
25	450389	Wshr-M6 x 12.5 x 1.8	16		
26	450390	Wshr-M8 x 17 x 1.8	2		
27	450410	Lockwshr-M6 x 9.6 x 1.5	4		
28	450526	Scrw-Pan Hd M5 x 12	4		
29	450541	Scrw-Pan Hd M6 x 16	4		
30	4176240	Panel Assembly Complete	1		See Breakdown page 126
31	4172960	Plus+1 Controller	1		
32	4186684	Spacer-8.2 x 16 10	3		From S/N FR000496 & FY000349
33	450194	Screw-Hex M8 x 35	3		

PANEL ASSEMBLY

Illustration Number: 4176240

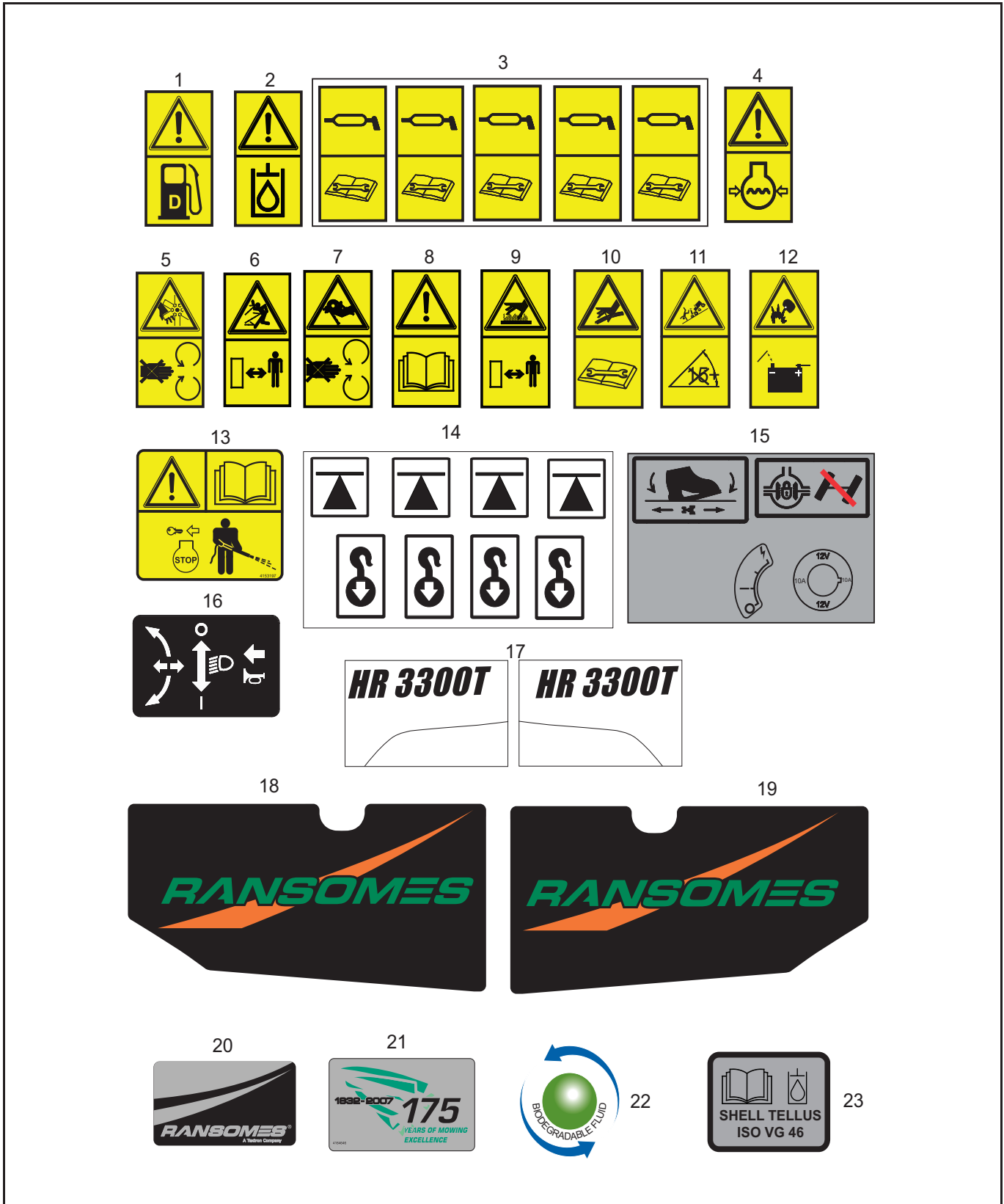




## PANEL ASSEMBLY

ITEM	PART NO.	DESCRIPTION	QTY.	
1	008231870	Twin Pilot Lamp	1	
2	008295980	Lens-Filter Blocked	1	
3	4135853	VHP Mounting Panel Plug	2	
4	4142708	Hourmeter	1	
5	4150337	Fuel Guage	1	
6	4152717	Temp Guage	1	
7	4159102	Mow Switch	1	
8	4161524	Lens-Green	1	
9	4176241	Inst Panel-Screen Printed	1	
10	4139764	Switch-Park Brake, Lockable	1	
11	008289120	Ignition Switch	1	
*	4191900	• key	1	
*	4176220	Panel Harness	1	Fitted up to FR00322/FY000312
*	4176221	Panel Harness	1	Fitted from FR000323/FY000313
	Options			
*	LMAC291	E-Stop Kit	1	
*	4161600	• E-Stop Switch Assy	1	

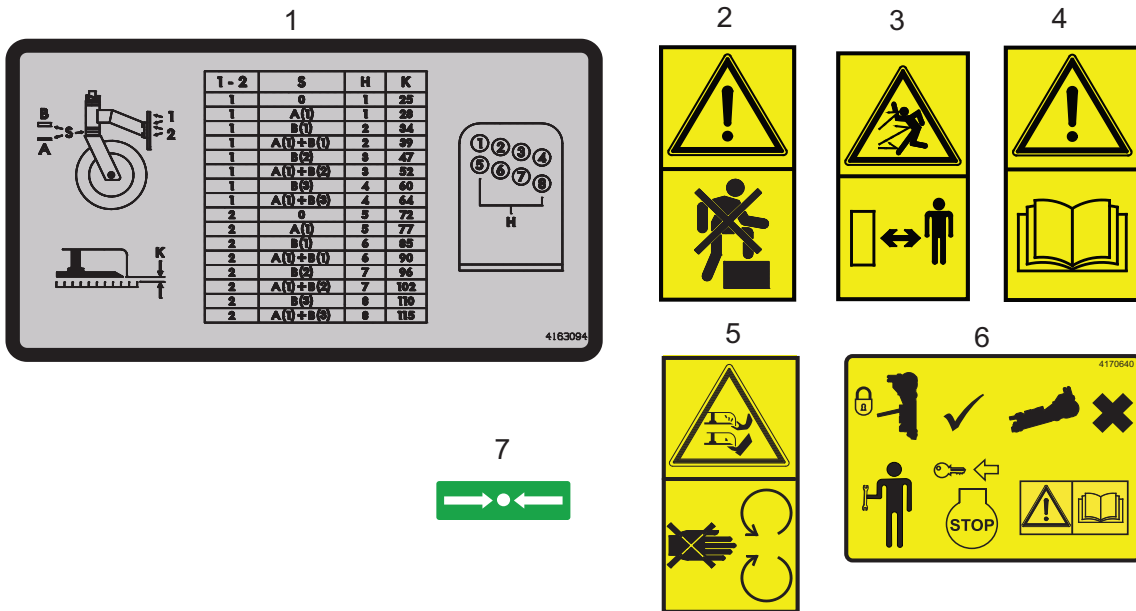
DECALS - TRACTOR



## DECALS - TRACTOR

ITEM	PART NO.	DESCRIPTION	QTY.	
1	009114340	Decal - Caution, Diesel Fuel	1	
2	4133705	Decal - Caution, Hydraulic Oil	1	
3	4164580	Decal - Lubrication Point	7	
4	4118415	Decal - Caution, Engine Coolant Under Pressure	1	
5	009034880	Decal - Caution, Rotating Fan	1	
6	009034890	Decal - Caution, Keep a Safe distance from the Machine	1	
7	009034800	Decal - Caution, Do Not Remove Guards	1	
8	009034910	Decal - Caution, Read Operators Manual	1	
9	009034920	Decal - Caution, Stay Clear of Hot Surfaces	1	
10	009034930	Decal - Caution, Avoid Fluid Escaping Under Pressure	1	
11	009114160	Decal - Maximum Permissible Slope	1	
12	009114100	Decal - Caution, Danger of Explosion if terminal are short circuited	1	
13	4153197	Decal - Caution, Read Manual before Pressure Washing	1	
15	4164840	Decal - Controls	1	Traction, Diff Lock, Power Socket Ignition Switch
14	009039870	Decal - Tie Down & Jacking Points	1	
16	4164661	Decal - Lighting Stalk	1	
17	4174124	Decal - Machine Name	2	
18	4174120	Decal - Ransomes Logo RH	2	
19	4174121	Decal - Ransomes Logo LH		
20	4124185	Decal - Ransomes Badge	1	
21	4164646	Decal - 175 Year	1	
22	4111407	Decal - Biodegradable Fluid	1	Fitted up to xxxxxxxx
23	4196860	Decal - Tellus 46	1	Fitted from xxxxxxxx

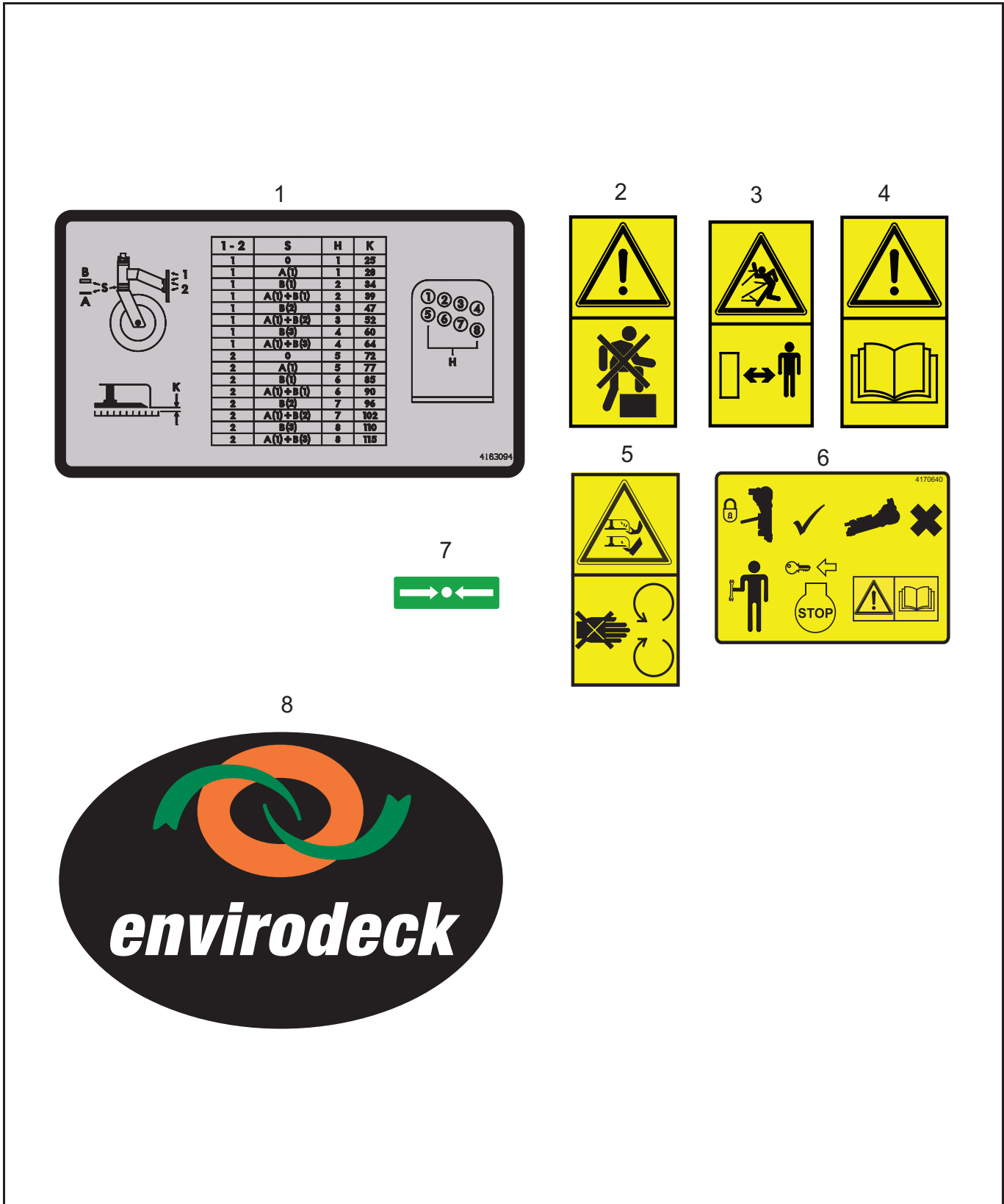
DECALS - REAR DISCHARGE DECK



**DECALS -REAR DISCHARGE DECK**

ITEM	PART NO.	DESCRIPTION	QTY.	
1	4163094	Decal - Height of Cut	1	
2	4165644	Decal - No Step	2	
3	009034890	Decal - Caution, Keep a Safe distance from the Machine	1	
4	009034910	Decal - Caution, Read Operators Manual	1	
5	009034940	Decal - Caution, Rotating Blades	1	
6	4170640	Decal - Caution, Read Manual before Working Under Deck	1	
7	009239210	Decal - Pressure	3	

DECALS - ENVIRODECK DECK

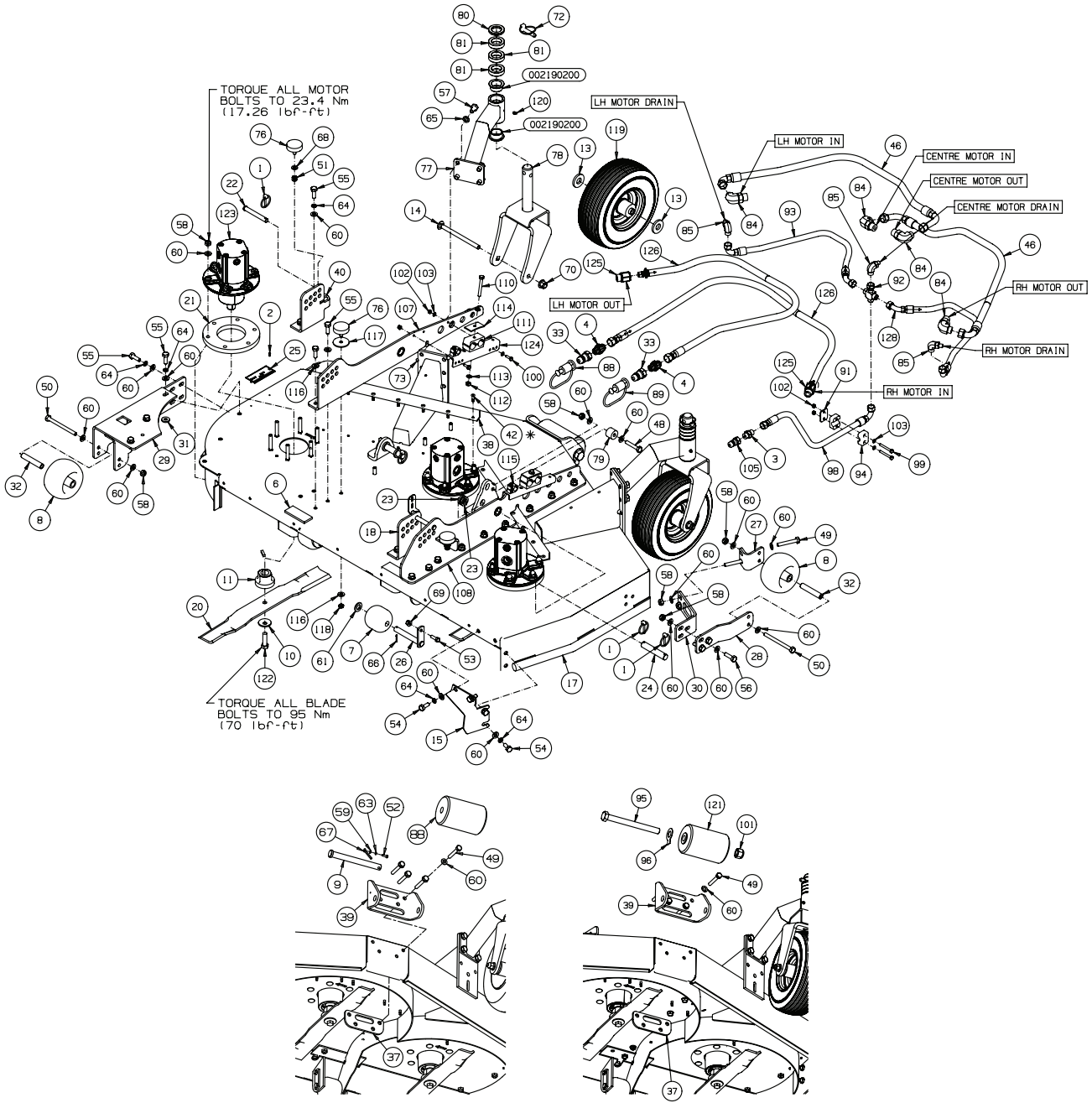


## DECALS - ENVIRODECK DECK

ITEM	PART NO.	DESCRIPTION	QTY.	
1	4163094	Decal - Height of Cut	1	
2	4165644	Decal - No Step	2	
3	009034890	Decal - Caution, Keep a Safe distance from the Machine	1	
4	009034910	Decal - Caution, Read Operators Manual	1	
5	009034940	Decal - Caution, Rotating Blades	1	
6	4170640	Decal - Caution, Read Manual before Working Under Deck	1	
7	009239210	Decal - Pressure	3	
8	4173020	Decal - Envirodeck	1	

LMAC266 152cm REAR DISCHARGE DECK

Illustration Number: 4150118-3



Front roller parts fitted as per left hand illustration up to S/N F5000489.

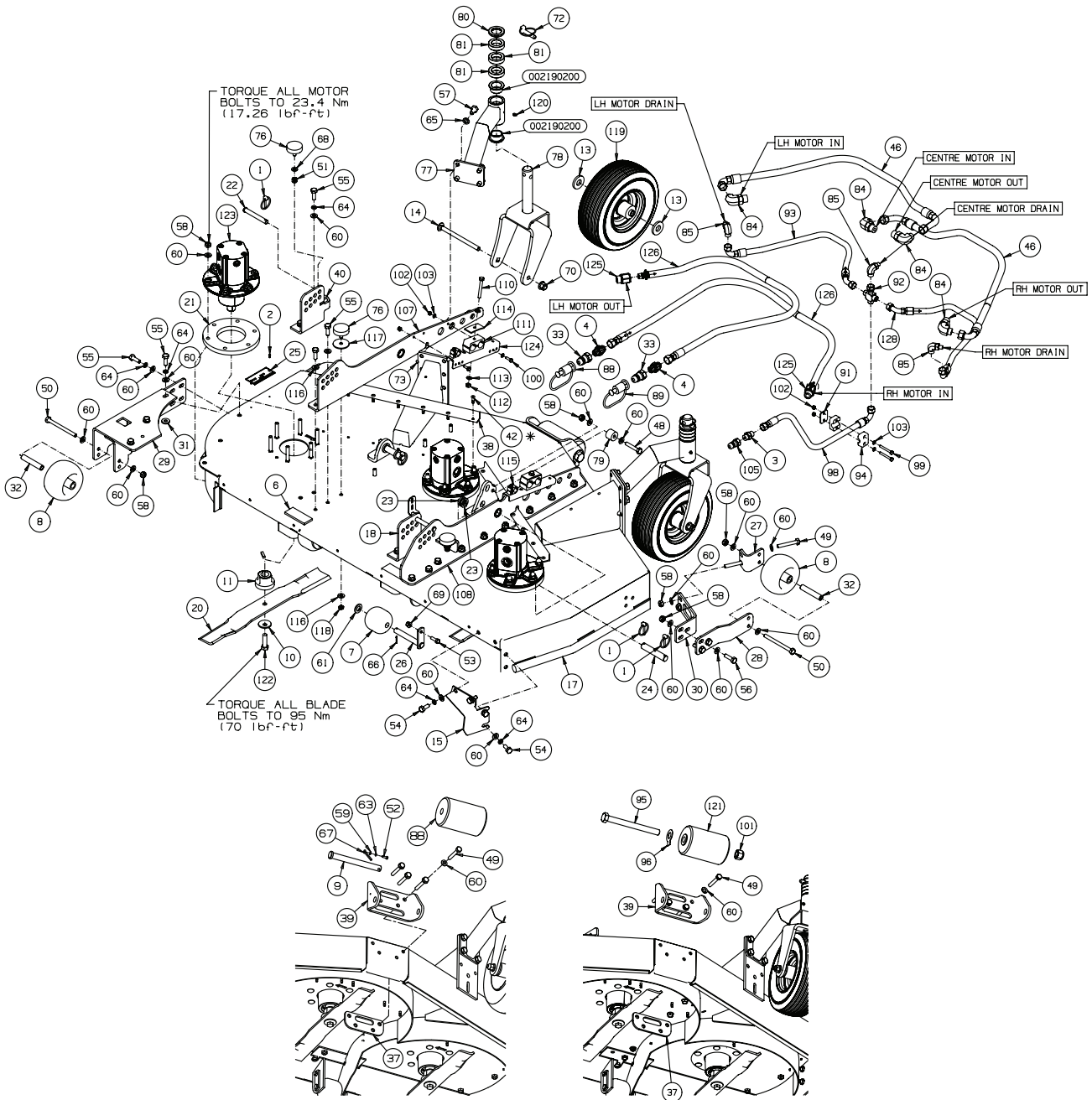


## LMAC266 152cm REAR DISCHARGE DECK

ITEM	PART NO.	DESCRIPTION	QTY.	
1	001490740	Quick Pin	6	
2	001496150	Rivet-Pop 3.2 x 10	2	
3	002590180	Ftg-11/16 ORFS x 3/8 BSPP	1	
*	158061-01	• O-Ring	1	11/16" ORFS
*	870000081	• Seal	1	3/8" BSP
4	002590190	Ftg-13/16 ORS x 1/2 BSPP	2	
*	158061-02	• O-Ring	1	13/16" ORFS
*	870000099	• O-Ring	1	1/2" BSP
6	168142-03	Strip-Rubber	2	
7	2198153	Roller-3"	2	
8	2721512	Roller-5 x 2.75 .Centered	3	
10	3007764	Washer, Blade	3	
11	3008388	Adapter - Blade	3	
13	4118730	Spacer 45 O/D x 20.5 I/D x 6 Thk.	4	
14	4118873	Bolt-Crg M12 x 170	2	
15	4171620	Guard-Foot	1	
17	4228160	Wldmnt-60" Rear Discharge Deck	1	From S/N FS000581
18	4150137	Bracket-Height Adjuster LH	1	2-off per deck to S/N FS000333 (see item 44)
*	4160921	• Bump Stop Rear	1	Up to S/N FS000333
*	4165220	• Deck Stop-Rubber	1	Up to S/N FS000333
20	4150198	Blade 21.00 OFFST LLFT	3	
21	4150279	Plate-Deck Motor Spacer	3	
22	4151817	Pin-Clevis, 1/2 x 3-3/4	2	
23	4151937	Spacer-20 x 30 x 5	4	2-off per deck to S/N FS000333
24	4157243	Pin-Deck Mtg, 3/4 x 4	2	
25	4157361	Serial Plate-RD60 Deck	1	Non Service Part
26	4157521	Wldmt-Roller Shaft	2	
27	4158943	Bracket-Antiscalp Roller Inside	2	
28	4158944	Bracket-Antiscalp Roller Outside	2	
29	4158982	Wldmt-Rear Antiscalp Bracket	1	
30	4158983	Plate-Antiscalp Bracket	2	
31	4159323	Spacer 10.5x25x4	3	
32	4163320	Caster Spacer 16x10.3x86	3	
33	4163522	QRC-1/2"BSPP Male	2	
37	4163637	Wldmt-Roller Bolt Backing	1	
38	4164881	Angle-Deck Stiffener 60"	2	
39	4165907	Front Roller Bracket	1	
40	4169241	Bracket-Height Adjust & B.Stop LH	1	From S/N FS000334

LMAC266 152cm REAR DISCHARGE DECK

Illustration Number: 4150118-3



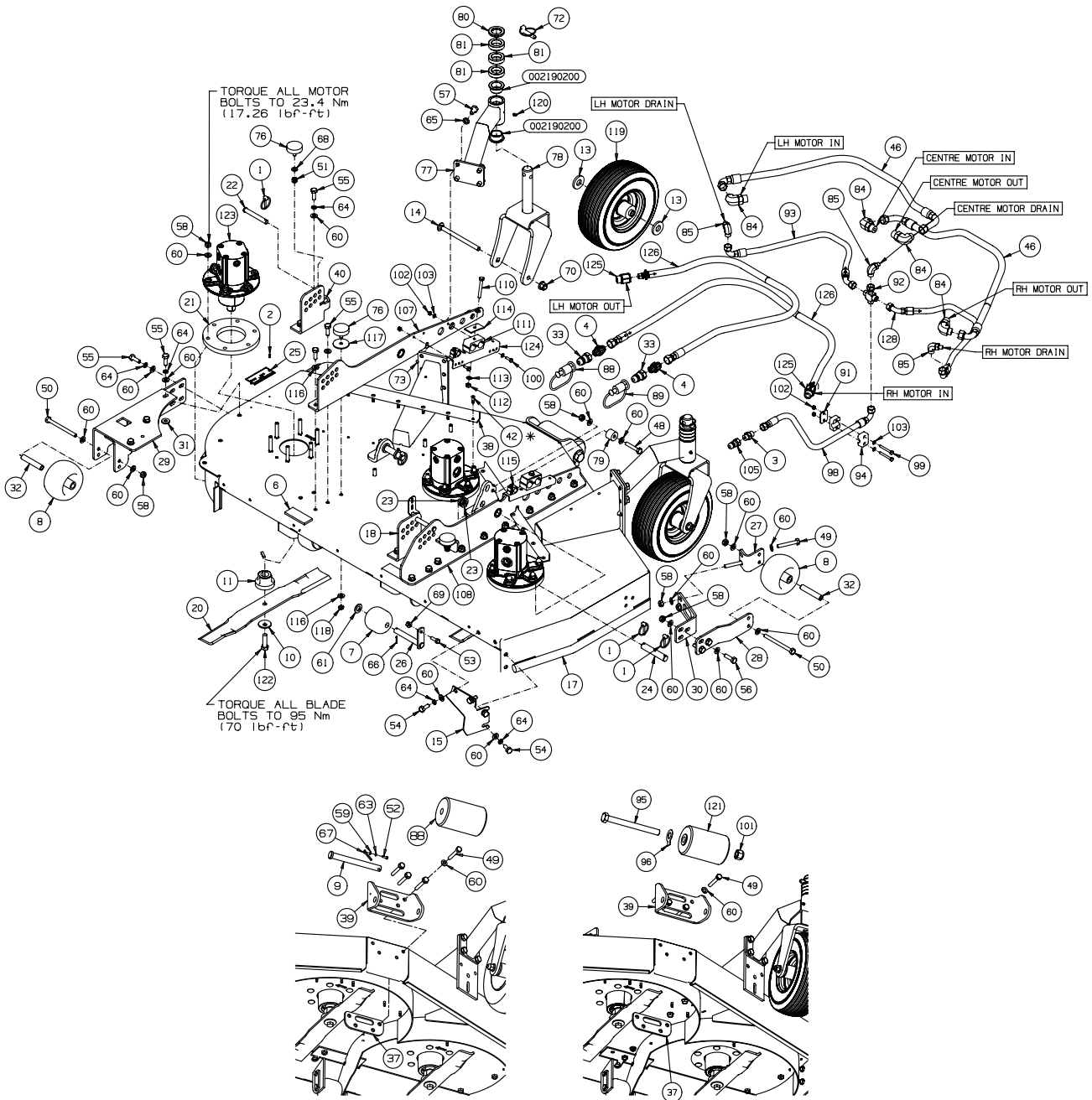
Front roller parts fitted as per left hand illustration up to S/N F5000489.

## LMAC266 152cm REAR DISCHARGE DECK

ITEM	PART NO.	DESCRIPTION	QTY.	
42	4173320	Rivet-Pop 6.4 x 14 Steel	14	
46	4163601	Hose Assembly	2	RH & LH Motor to Centre Motor - Up to S/N FS000412
46	4179000	Hose Assembly	2	RH & LH Motor to Centre Motor - From S/N FS000413
47	4163602	Hose Assembly	2	RH & LH Motor to QRC - Up to S/N FS000412
47	4260871	Hose Assembly	2	RH & LH Motor to QRC - From S/N FS000413
48	450033	Bolt-Hex M10 x 55	1	
49	450035	Bolt-Hex M10 x 65	8	
50	450043	Bolt-Hex M10 x 120	3	
51	450120267	Nut-Hex 3/8-16 Nyloc	2	
53	450192	Scrw-Hex M8 x 25	2	
54	450214	Scrw-Hex M10 x 25	4	
55	450215	Scrw-Hex M10 x 30	25	From S/N FS000581
56	450216	Scrw-Hex M10 x 35	6	
57	450239	Scrw-Hex M12 x 20	8	
58	450379	Nut-Hex M10 Nyloc	32	
60	450391	Wshr-M10 x 21 x 2.2	77	From S/N FS000581
61	450393	Wshr-M16 x 30 x 3.3	2	
64	450412	Wshr-Slw M10	16	From S/N FS000581
65	450424	Wshr-Slw M12	8	
66	451241	22x3.2 Dia. Split Pin	2	
68	452000326	Wshr-3/8 x 3/4 x .072	2	
69	452436	Nut-Hex M8 Flng Nyloc	2	
70	452438	Nut-Hex M12 Flng Nyloc	2	
71	452591	Bolt-Crg M10 x 55	18	To S/N FS000333
71	452592	Bolt-Crg M10 x 60	18	From S/N FS000334
72	469009601	Spring Clip	2	
73	48517-06	Hole-Plug.250	4	
74	557523	Key, Shaft	3	
76	J631723	Bumper Stop	2	From S/N FS000334
77	MBF1936	Asm-Caster Support	2	
77.1	002190200	BUSH-FLNG 1.25" X 1.50" X 0.75"	2	
78	MBF1938	Asm-Yoke, 11.00 Tyre	2	
79	MBG1313.7	Spacer-11 x 30 x 24	1	
80	MBG5426	Collar-1.266" x 2" x .250"	2	
81	MBG5427	Collar-1.266" x 2" x .500"	6	
82	4260870	7/8-14 Sae O-ring Easy-fit Coupling	2	To S/N FS000412

LMAC266 152cm REAR DISCHARGE DECK

Illustration Number: 4150118-3



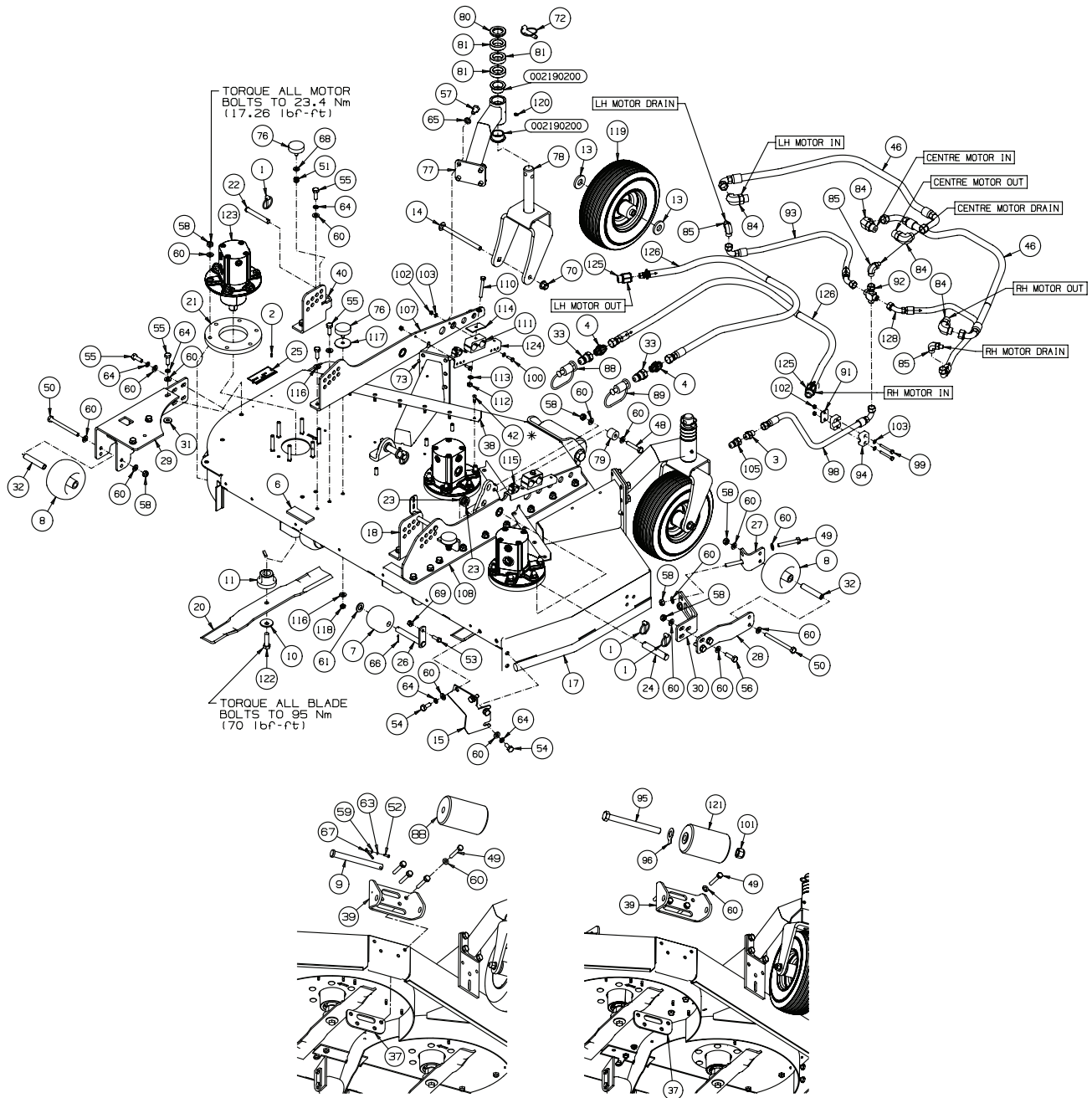
Front roller parts fitted as per left hand illustration up to S/N F5000489.

## LMAC266 152cm REAR DISCHARGE DECK

ITEM	PART NO.	DESCRIPTION	QTY.	
*	158061-02	• O-Ring	1	13/16" ORFS
*	002218104	• O-Ring	1	7/8" SAE
84	W158007-03	90-M/M 13/16 ORS x 7/8 SAE	4	2-off fitted up to S/N FS000412
*	158061-02	• O-Ring	1	13/16 ORFS
*	002218104	• O-Ring	1	7/8" SAE
85	W158007-09	90-M/M 11/16 ORS x 7/16 SAE	3	
*	158061-01	• O-Ring	1	11/16" ORFS
*	002218049	• O-Ring	1	7/16" SAE
88	4185260	QRC Cap (Red)	1	
89	4185261	QRC Cap (Yellow)	1	
91	4185300	Plate-17.2mm Hose Clamp	1	
92	4186000	Cross-M/M/M/F 11/16 ORS	1	
*	158061-01	• O-Ring	4	11/16" ORFS
93	4281433	Hose-LH Motor Drain to Center	1	
94	4186724	Jaws-17.2mm Hose Clamp	1	
95	4186861	Bolt-Hex 3/4-10 x 8	1	From S/N FS000490
96	4186960	Washer-Tab M20	1	From S/N FS000490
98	4188221	Hose-Centre Motor Drain To QRC	1	
99	450005	Bolt-Hex M6 x 50	2	
100	450171	Scrw-Hex M6 x 20	4	From S/N FS000581
101	450190284	Nut-Hex 3/4-10 Nyloc	1	From S/N FS000490
102	450377	Nut-Hex M6 Nyloc	8	From S/N FS000581
103	450389	Wshr-M6 x 12.5 x 1.8	14	From S/N FS000581
105	4163525	QRC-3/8"BSPP Male	1	
106	452437	NUT-NYLOC M10 FLNG	11	From S/N FS000581
107	4217006	WLDMT-DECK STIFFENER 60" LH	1	From S/N FS000581
108	4217002	WLDMT-DECK STIFFENER 60" RH	1	From S/N FS000581
109	4256332	HOSE SLIDE PLATE	2	From S/N FS000581
110	450021	BOLT-HEX M8 X 65	2	From S/N FS000581
111	2208139	CLAMP-TWIN TUBE, 1" DIA	2	From S/N FS000581
112	450378	NUT-HEX M8 NYLOC	2	From S/N FS000581
113	450390	WSHR-M8 X 17 X 1.8	4	From S/N FS000581
114	009079310	TOP PLATE-TUBE CLAMP	2	From S/N FS000581
115	4281431	Single Hose Clamp (16mm)	2	From S/N FS000581
116	4224901	AV WSHR-10.7 X 21 X2.5	3	From S/N FS000581
117	64163-17	WSHR-25/64 X 2 X 11G	1	From S/N FS000581
118	450120186	NUT-HEX 3/8-16	1	From S/N FS000581
119	4237022	WHEEL ASSEMBLY - 11 x 4.0 - 5	2	
120	002993013	Lubricator-M6 Str	2	
121	163425	Roller	1	

LMAC266 152cm REAR DISCHARGE DECK

Illustration Number: 4150118-3



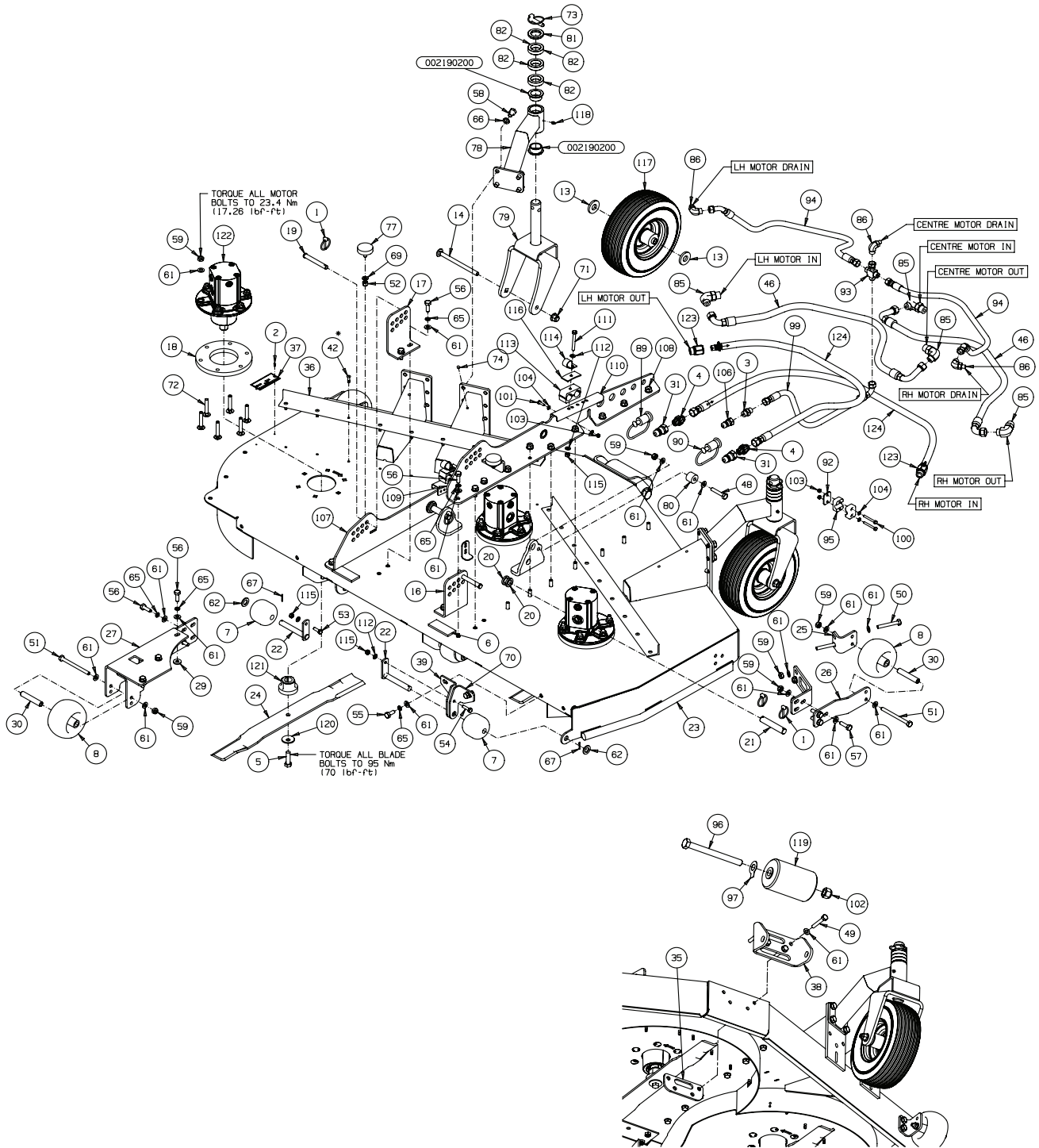
Front roller parts fitted as per left hand illustration up to S/N F5000489.

## LMAC266 152cm REAR DISCHARGE DECK

ITEM	PART NO.	DESCRIPTION	QTY.	
*	552824	• Bush	2	
122	400410	Screw, 1/2-13 x 1-3/4" Hex Hd	3	
123	4177941	Motor-Deck	3	
124	4256332	Hose Slide Plate	2	
125	4260870	7/8-14 SAE O-Ring Coupling	2	
126	4260871	Hose Assy	2	
127	450003	Bolt-Hex M6 x 40	2	
128	4281432	Hose-RH Motor Drain to Center	1	

LMAC267 183cm REAR DISCHARGE DECK

Illustration Number: 4159021-3



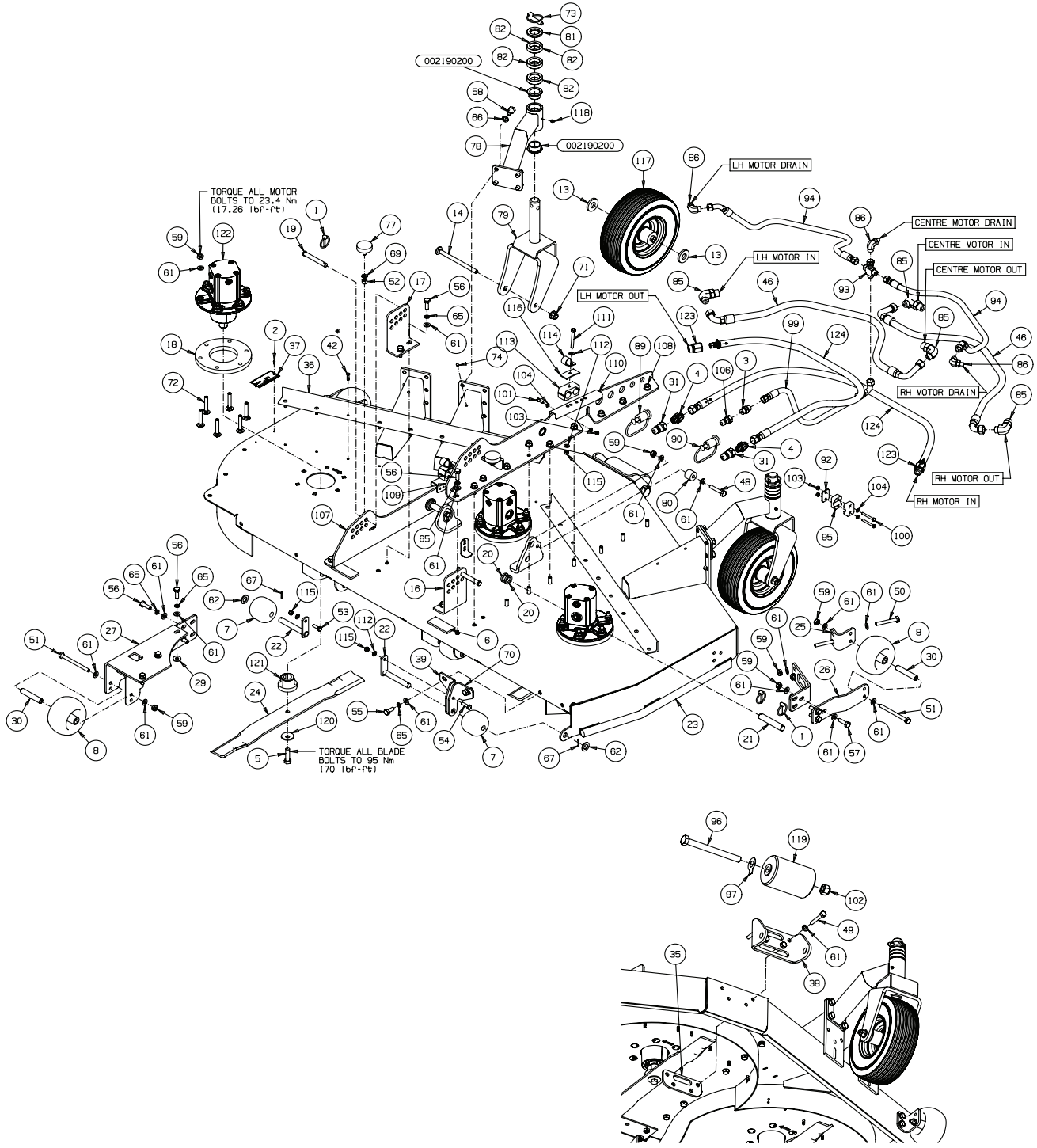


## LMAC267 183cm REAR DISCHARGE DECK

ITEM	PART NO.	DESCRIPTION	QTY.	
1	001490740	Quick Pin	6	
2	001496150	Rivet-Pop 3.2 x 10 (S/S)	2	
3	002590180	Ftg-11/16 ORFS x 3/8 BSPP	1	
*	158061-01	• O-Ring	1	11/16" ORFS
*	870000081	• Seal	1	3/8" BSP
4	002590190	Ftg-13/16 ORS x 1/2 BSPP	2	
*	158061-02	• O-Ring	1	13/16" ORFS
*	870000099	• O-Ring	1	1/2" BSP
5	400410	Screw, 1/2-13 x 1-3/4" Hex Hd	3	
6	168142-03	Strip-Rubber	2	
7	2198153	Roller-3"	3	
8	2721512	Roller-5 x 2.75 .Centered	3	
9				
10				
11				
12				
13	4118730	Spacer 45 O/D x 20.5 I/D x 6 Thk.	4	
14	4118873	Bolt-Crg M12 x 170	2	
15				
16	4150137	Bracket-Height Adjuster LH	1	2-off per deck to S/N FX000301
*	4160921	• Bump Stop Rear	1	To S/N FX000301
*	4165220	• Deck Stop-Rubber	1	To S/N FX000301
17	4150139	Bracket-Height Adjuster RH	1	2-off per deck to S/N FX000301 (see item 45)
*	4160921	• Bump Stop Rear	1	To S/N FX000301
*	4165220	• Deck Stop-Rubber	1	To S/N FX000301
18	4150279	Plate-Deck Motor Spacer	3	
19	4151817	Pin-Clevis, 1/2 x 3-3/4	2	
20	4151937	Spacer-20 x 30 x 5	4	2-off fitted to S/N FX000301
21	4157243	Pin-Deck Mtg, 3/4 x 4	2	
22	4157521	Wldmt-Roller Shaft	3	
23	4227320	Wldmt-Deck, 72" Rd	1	From S/N: FX000424
24	4158841	Blade 25.00 Offst Lift	3	
25	4158943	Bracket-Antiscalp Roller Inside	2	
26	4158944	Bracket-Antiscalp Roller Outside	2	
27	4158982	Wldmt-Rear Antiscalp Bracket	1	
28	4158983	Plate-Antiscalp Bracket	2	
29	4159323	Spacer 10.5x25x4	3	
30	4163320	Caster Spacer 16x10.3x86	3	
31	4163522	QRC-1/2"BSPP Male	2	
32				
33				
34				
35	4163637	Wldmt-Roller Bolt Backing	1	

LMAC267 183cm REAR DISCHARGE DECK

Illustration Number: 4159021-3

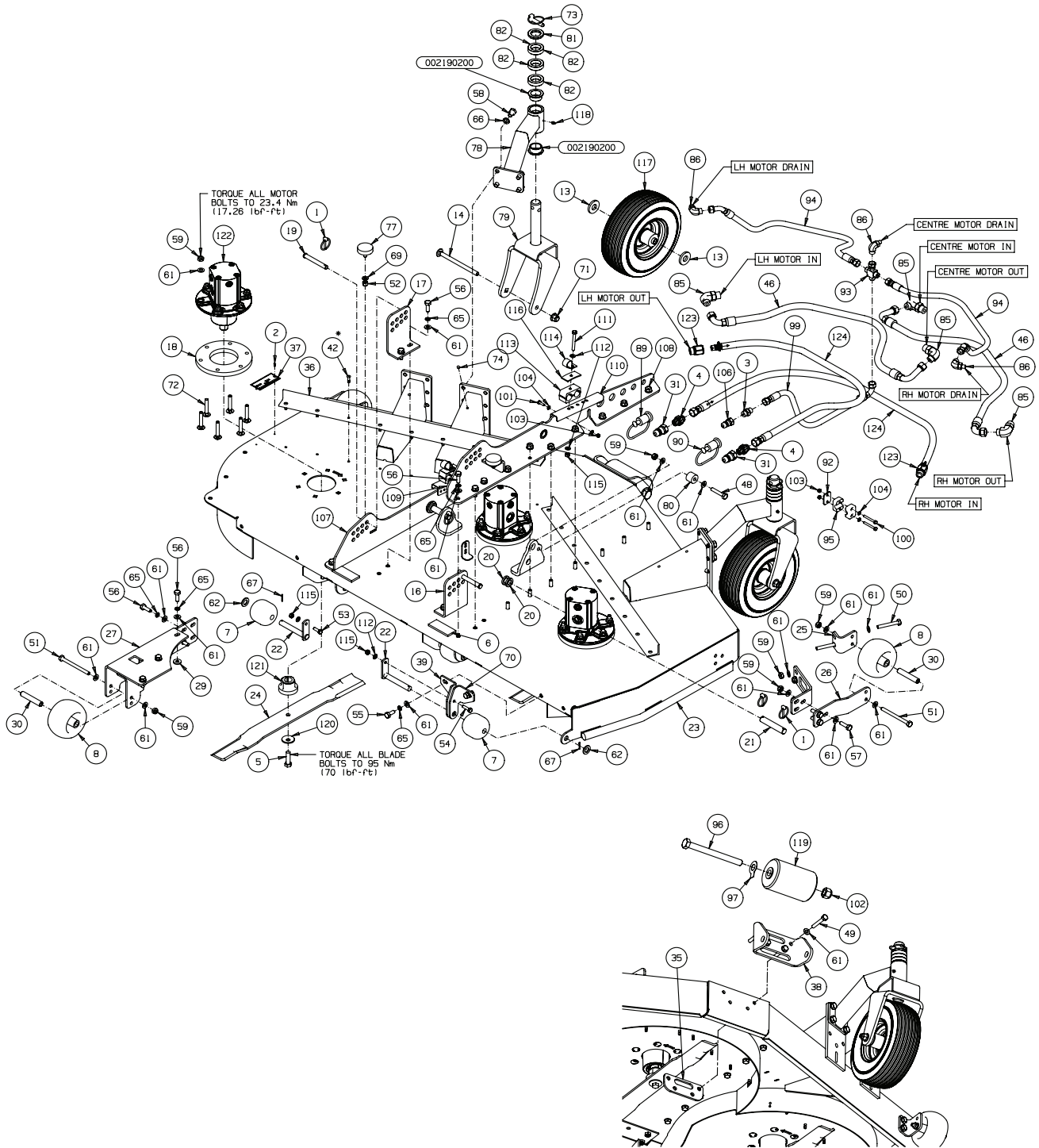


## LMAC267 183cm REAR DISCHARGE DECK

ITEM	PART NO.	DESCRIPTION	QTY.	
36	4164642	Angle-Deck Stiffener 72"	2	Non Service Part
37	4165041	Serial Plate-Rd72 Deck	1	
38	4165907	Front Roller Bracket	1	
39	4168330	Bkrt-72"Deck RH Guard/Castor Pivot	1	
40				
41				
42	4173320	Rivet-Pop 6.4 x 14 Steel	18	
43				
44				
45				
46	4166502	Hose Assembly	2	RH & LH Motor to Centre Motor To S/N FX000341
46	4179000	Hose-Middle Motor To "L" & "R"	2	RH & LH Motor To Centre Motor From S/N FX000342
47	4166503	Hose Assembly	2	RH & LH Motor to QRC - To S/N FX000341
48	450033	Bolt-Hex M10-1.5 x 55, Gr 8.8	1	
49	450035	Bolt-Hex M10-1.5 x 65, Gr 8.8	4	
50	450036	Bolt-Hex M10-1.5 x 70, Gr 8.8	4	
51	450043	Bolt-Hex M10-1.5 x 120, Gr 8.8	3	
52	450120267	Nut-Hex 3/8-16, Nyloc	2	
53				
54	450193	Scrw-Hex M8-1.25 x 30, Gr 8.8	1	
55	450214	Scrw-Hex M10-1.5 x 25, Gr 8.8	2	
56	450215	Scrw-Hex M10-1.5 x 30, Gr 8.8	31	From S/N FX000424
57	450216	Scrw-Hex M10-1.5 x 35, Gr 8.8	6	
58	450239	Scrw-Hex M12-1.75 x 20, Gr 8.8	8	
59	450379	Nut-Hex M10-1.5, Gr 8, Nyloc	32	
60				
61	450391	Wshr-M10 x 21 x 2.2	81	From S/N FX000424
62	450393	Wshr-M16 x 30 x 3.3	3	
63				
64				
65	450412	Lockwshr-M10 x 15.9 x 2.5	17	From S/N FX000424
66	450424	Lockwshr-M12 x 21 x 2.65	8	
67	451241	Split Pin-3.2 x 22	3	
68				
69	452000326	Wshr-3/8 x 3/4 x .072	2	
70	452436	Nut-Hex M8 Fling Nyloc	3	
71	452438	Nut-Nyloc M12 Fling	2	
72	452591	Bolt-Crg M10 x 55	18	To S/N FX000301
72	452592	Bolt-Crg M10 x 60	18	From S/N FX000302
73	469009601	Spring Clip	2	
74	48517-06	Hole-Plug.250	6	

LMAC267 183cm REAR DISCHARGE DECK

Illustration Number: 4159021-3

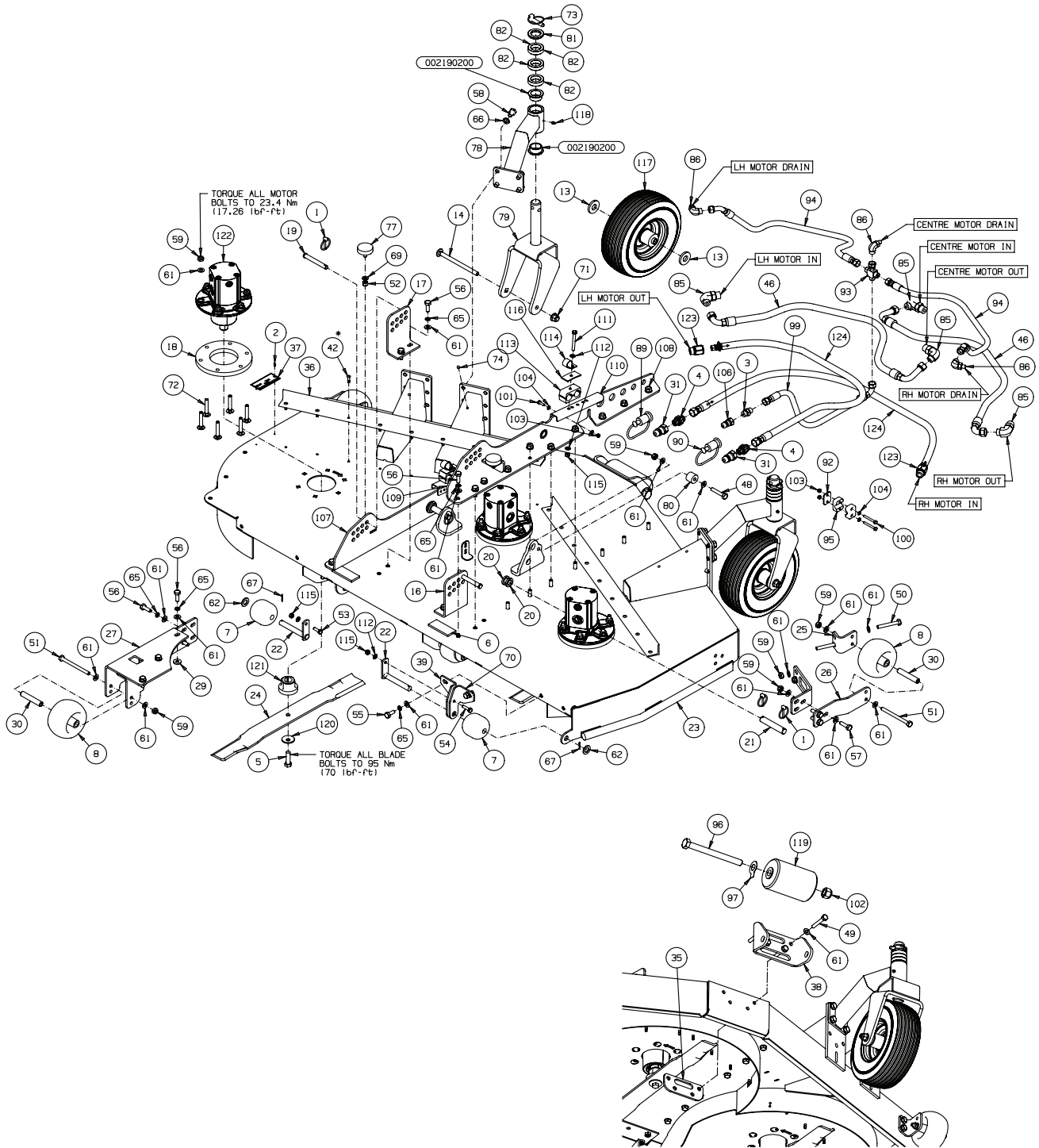


## LMAC267 183cm REAR DISCHARGE DECK

ITEM	PART NO.	DESCRIPTION	QTY.	
75				
76				
77	J361723	Bumper Stop	2	
78	MBF1936	Asm-Caster Support	2	
79	MBF1938	Asm-Yoke, 11.00 Tyre	2	
80	MBG1313.7	Spacer-11 x 30 x 24	1	
81	MBG5426	Collar-1.266" x 2" x .250"	2	
82	MBG5427	Collar-1.266" x 2" x .500"	6	
*	158061-02	• O-Ring	1	13/16" ORFS
*	002218104	• O-Ring	1	7/8" SAE
84				
85	158007-03	90-M/M 13/16 ORS x 7/8 SAE	4	
*	158061-02	• O-Ring	1	13/16 ORFS
*	002218104	• O-Ring	1	7/8" SAE
86	158007-09	90-M/M 11/16 ORS x 7/16 SAE	3	
*	158061-01	• O-Ring	1	11/16" ORFS
*	002218049	• O-Ring	1	7/16" SAE
87				
88				
89	4185260	QRC Cap (Red)	1	
90	4185261	QRC Cap (Yellow)	1	
91				
92	4185300	Plate-17.2mm Hose Clamp	1	
93	4186000	Cross-M/M/M/F 11/16 ORFS	1	
*	158061-01	• O-Ring	4	11/16" ORFS
94	4186624	Hose-L/R Motor Drain To Centre	2	
95	4186724	Jaws-17.2mm Hose Clamp	1	
96	4186861	Bolt-Hex 3/4-10 x 8, Gr S	1	
97	4186960	Washer-Tab M20	1	From S/N FX000396
98				
99	4187061	Hose-Centre Motor Drain To QRC	1	From S/N FX000396
100	450005	Bolt-Hex M6-1.0 x 50, Gr 8.8	2	
101	450171	Scrww-Hex M6-1.0 x 20, Gr 8.8	4	From S/N FX000424
102	450190284	Nut-Hex 3/4-10, Nyloc	1	From S/N FX000396
103	450377	Nut-Hex M6-1.0, Gr 8, Nyloc	6	From S/N FX000424
104	450389	Wshr-M6 x 12.5 x 1.8	10	From S/N FX000424
105				
106	4163525	QRC-3/8"BSPP Male	1	
107	4217001	Wldmt-Deck Stiffener 72" LH	1	From S/N FX000424
108	452437	Nut-Nyloc M10 Flng	14	From S/N FX000424
109	4217000	Wldmt-Deck Stiffener 72" RH	1	From S/N FX000424
110	4226940	Hose-Holder Plate	2	From S/N FX000424
110	4256332	Hose Slide Plate	2	
111	450021	Bolt-Hex M8-1.25 x 65, Gr 8.8	2	From S/N FX000424

LMAC267 183cm REAR DISCHARGE DECK

Illustration Number: 4159021-3

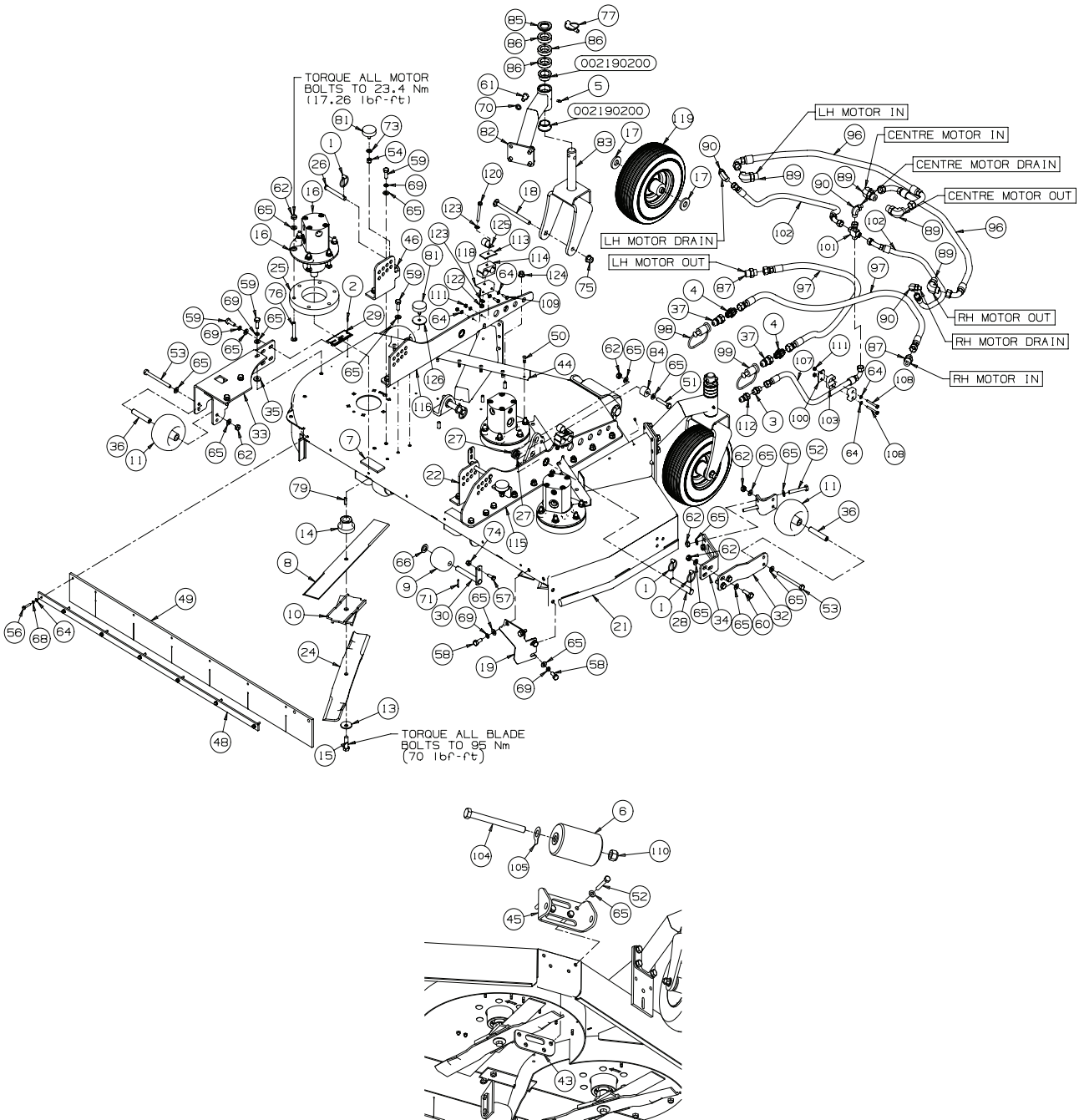


## LMAC267 183cm REAR DISCHARGE DECK

ITEM	PART NO.	DESCRIPTION	QTY.	
112	450390	Wshr-M8 x 17 x 1.8	4	From S/N FX000424
113	2208139	5/8 Bore Hose Clamp	2	From S/N FX000424
114	469016509	P-Clip	2	From S/N FX000424
115	450378	Nut-Hex M8-1.25, Gr 8, Nyloc	2	From S/N FX000424
116	009079310	Top Plate-Tube Clamp	2	From S/N FX000424
117	4237022	P.U Filled Wheel Assy 11 x 4.00 - 5	2	
118	002993013	Lubricator-M6 Straight	2	
119	163425	Roller	1	
120	3007764	Blade Washer, 1/2	3	
121	3008388	Adapter-Blade	3	
122	4177941	Motor-Deck	3	
123	4260870	7/8-14 Easy-Fit Coupling	2	
124	4260871	Hose Assy	2	
125	557523	Key,Shaft	3	

LMAC294 152cm ENVIRODECK

Illustration Number: 4172183-3



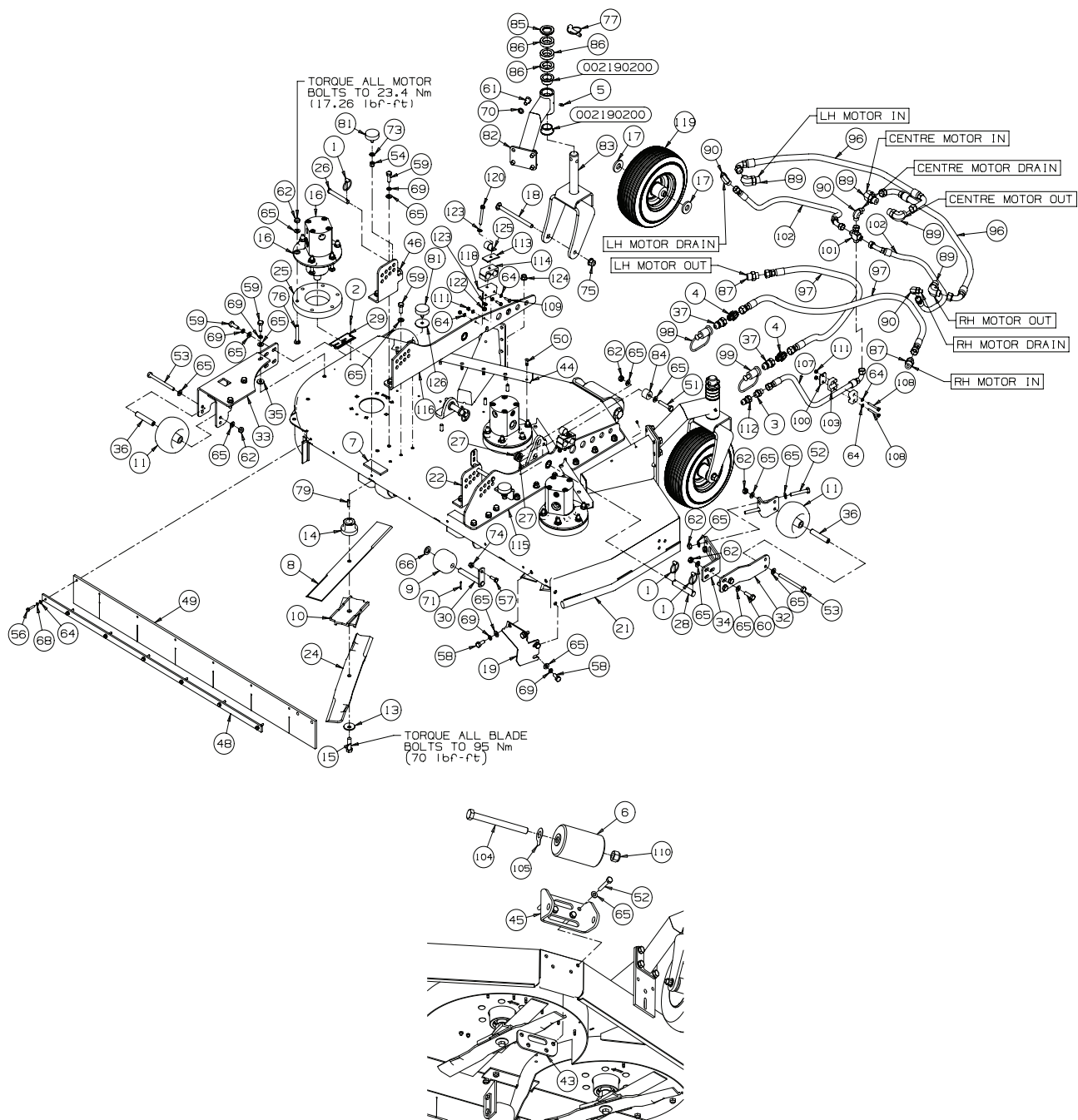


## LMAC294 152cm ENVIRODECK

ITEM	PART NO.	DESCRIPTION	QTY.	
1	001490740	Quick Pin	6	
2	001496150	Rivet-Pop 3.2 x 10	2	
3	002590180	Ftg-11/16 ORFS x 3/8 BSPP	1	
*	158061-01	• O-Ring	1	11/16" ORFS
*	870000081	• Seal	1	3/8" BSP
4	002590190	Ftg-13/16 ORS x 1/2 BSPP	2	
*	158061-02	• O-Ring	1	13/16" ORFS
*	870000099	• O-Ring	1	1/2" BSP
5	002993013	Lubricator-M6 Str	2	
7	168142-03	Strip-Rubber	2	
8	4171500	Blade-Cutter	3	
9	2198153	Roller-3"	2	
10	2198192	Saddle-Blade	3	
11	2721512	Roller-5 x 2.75 .Centered	3	
13	3007764	Washer, Blade	3	
14	3008388	Adapter - Blade	3	
15	400410	Screw, 1/2-13 x 1-3/4" Hex Hd	3	
16	4177941	Motor-Deck	3	
17	4118730	Spacer 45 O/D x 20.5 I/D x 6 Thk.	4	
18	4118873	Bolt-Crg M12 x 170	2	
19	4171620	Guard-Foot	1	
21	4228160	Wldmnt-60" Rear Discharge Deck	1	
22	4150137	Bracket-Height Adjuster LH	1	
24	4150198	Blade 21.00 OFFST LLFT	3	
25	4172184	Plate-Deck Motor Spacer	3	
26	4151817	Pin-Clevis, 1/2 x 3-3/4	2	
27	4151937	Spacer-20 x 30 x 5	4	
28	4157243	Pin-Deck Mtg, 3/4 x 4	2	
29	4172380	Serial Plate-60 Mulch Deck	1	Non Service Part
30	4157521	Wldmt-Roller Shaft	2	
31	4158943	Bracket-Antiscalp Roller Inside	2	
32	4158944	Bracket-Antiscalp Roller Outside	2	
33	4158982	Wldmt-Rear Antiscalp Bracket	1	
34	4158983	Plate-Antiscalp Bracket	2	
35	4159323	Spacer 10.5x25x4	3	
36	4163320	Caster Spacer 16x10.3x86	3	
37	4163522	QRC-1/2"BSPP Male	2	
43	4163637	Wldmt-Roller Bolt Backing	1	
44	4164881	Angle-Deck Stiffener 60"	2	
45	4165907	Front Roller Bracket	1	
46	4169241	Bracket-Height Adjust & Bump Stop LH	1	
48	4171580	Mounting Frame	1	
49	4171581	Rubber Flap	1	
50	4173320	Rivet-Pop 6.4 x 14 Steel	14	
51	450033	Bolt-Hex M10 x 55	1	
52	450035	Bolt-Hex M10 x 65	8	
53	450043	Bolt-Hex M10 x 120	3	
54	450120267	Nut-Hex 3/8-16 Nyloc	2	
56	450173	Scrw-Hex M6 x 30	7	
57	450192	Scrw-Hex M8 x 25	2	
58	450214	Scrw-Hex M10 x 25	4	

LMAC294 152cm ENVIRODECK

Illustration Number: 4172183-3

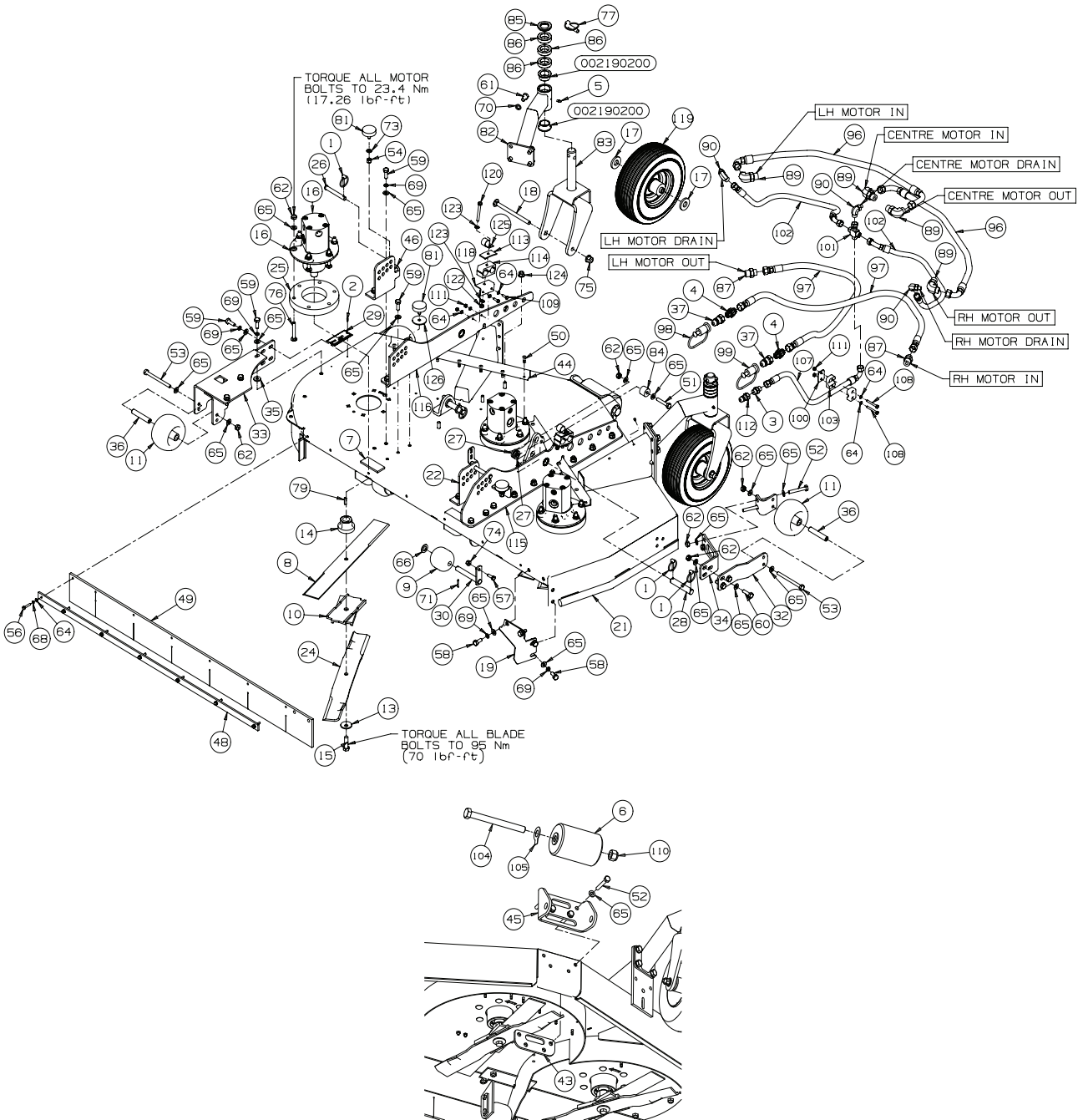


## LMAC294 152cm ENVIRODECK

ITEM	PART NO.	DESCRIPTION	QTY.	
59	450215	Scrw-Hex M10 x 30	25	
60	450216	Scrw-Hex M10 x 35	6	
61	450239	Scrw-Hex M12 x 20	8	
62	450379	Nut-Hex M10 Nyloc	32	
64	450389	Wshr-M6 x 12.5 x 1.8	17	
65	450391	Wshr-M10 x 21 x 2.2	79	
66	450393	Wshr-M16 x 30 x 3.3	2	
68	450410	Wshr-Slw M6	7	
69	450412	Wshr-Slw M10	16	
70	450424	Wshr-Slw M12	8	
71	451241	22x3.2 Dia. Pin	2	
73	452000326	Wshr-3/8 x 3/4 x .072	2	
74	452436	Nut-Hex M8 Fing Nyloc	2	
75	452438	Nut-Hex M12 Fing Nyloc	2	
76	452595	Bolt-Crg M10 x 65	18	
77	469009601	Spring Clip	2	
78	48517-06	Hole-Plug.250	4	
79	557523	Key, Shaft	3	
81	J361723	Bumper Stop	3	
82	MBF1936	Asm-Caster Support	2	
83	MBF1938	Asm-Yoke, 11.00 Tyre	2	
84	MBG1313.7	Spacer-11 x 30 x 24	1	
85	MBG5426	Collar-1.266" x 2" x .250"	2	
86	MBG5427	Collar-1.266" x 2" x .500"	6	
87	W158006-06	Ftg-M/M 13/16 ORS x 7/8 SAE	2	
*	158061-02	• O-Ring	1	13/16" ORFS
*	002218104	• O-Ring	1	7/8" SAE
89	W158007-03	90-M/M 13/16 ORS x 7/8 SAE	4	
*	158061-02	• O-Ring	1	13/16 ORFS
*	002218104	• O-Ring	1	7/8" SAE
90	W158007-09	90-M/M 11/16 ORS x 7/16 SAE	3	
*	158061-01	• O-Ring	1	11/16" ORFS
*	002218049	• O-Ring	1	7/16" SAE
96	4163601	Hose Assembly	2	RH & LH Motor to Centre Motor - Up to S/N GA000306
96	4179000	Hose Assembly	2	RH & LH Motor to Centre Motor - From S/N GA000307
97	4163602	Hose Assembly	2	RH & LH Motor to QRC - Up to S/N GA000306
97	4179001	Hose Assembly	2	RH & LH Motor to QRC - From S/N GA000307
98	4185260	QRC Cap (Red)	1	
99	4185261	QRC Cap (Yellow)	1	
100	4185300	Plate-17.2mm Hose Clamp	1	
101	4186000	Cross-M/M/M/F 11/16 ORFS	1	
*	158061-01	• O-Ring	4	11/16" ORFS
102	4186624	Hose-L/R Motor Drain To Centre	2	
103	4186724	Jaws-17.2mm Hose Clamp	1	
104	4186861	Bolt-HEX 3/4-10 X 8	1	
105	4186960	Washer-Tab M20	1	
107	4188661	Hose-Centre Motor Drain to QRC	1	

LMAC294 152cm ENVIRODECK

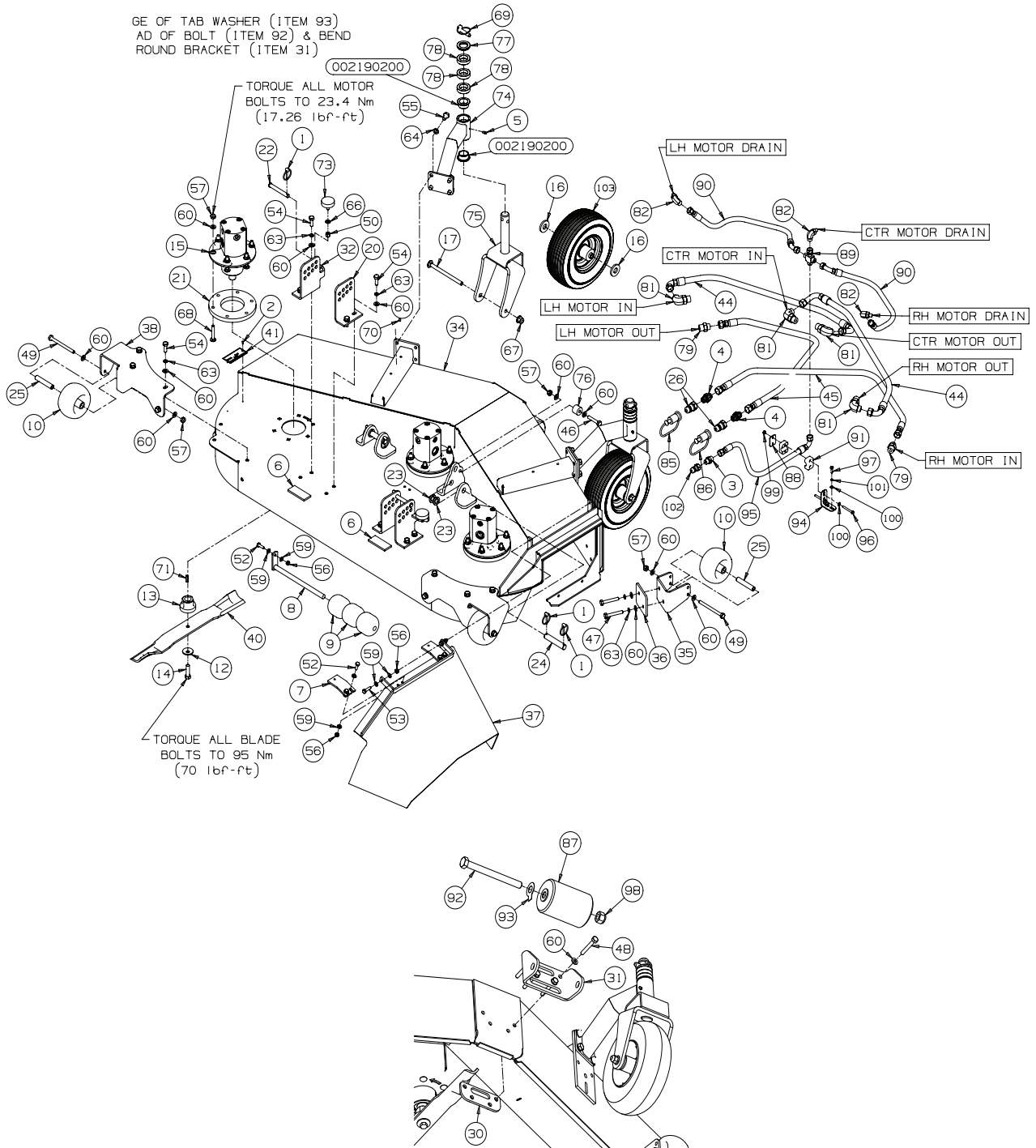
Illustration Number: 4172183-3



## LMAC294 152cm ENVIRODECK

ITEM	PART NO.	DESCRIPTION	QTY.	
108	450005	Bolt-Hex M6 X 50	2	
109	450171	Scrw-Hex M6 X 20	4	
110	450190284	Nut-Hex 3/4-10 Nyloc	1	
111	450377	Nut-Hex M6 Nyloc	6	
112	4163525	QRC-3/8"BSPP Male	1	
113	009079310	Top Plate-Tube Clamp	2	
114	2208139	Clamp-Twin Tube, 1" Dia	2	
115	4217002	Wldmt-Deck Stiffener 60" RH	1	
116	4217006	Wldmt-Deck Stiffener 60" LH	1	
117	4224901	Av Wshr-10.7 X 21 X 2.5	1	
118	4226940	Hose Holder Plate	2	
119	4237022	P.U Filled Wheel Assy 11 X 4.00 - 5	2	
120	450021	Bolt-Hex M8 X 65	2	
121	450120186	Nut-Hex 3/8-16	1	
122	450378	Nut-Hex M8 Nyloc	2	
123	450390	Wshr-M8 X 17 X 1.8	4	
124	452437	Nut-Nyloc M10 FLNG	11	
125	469016509	P-Clip	2	
126	64163-17	Wshr-25/64 X 2 X 11G	1	

Illustration Number: 4175060-3

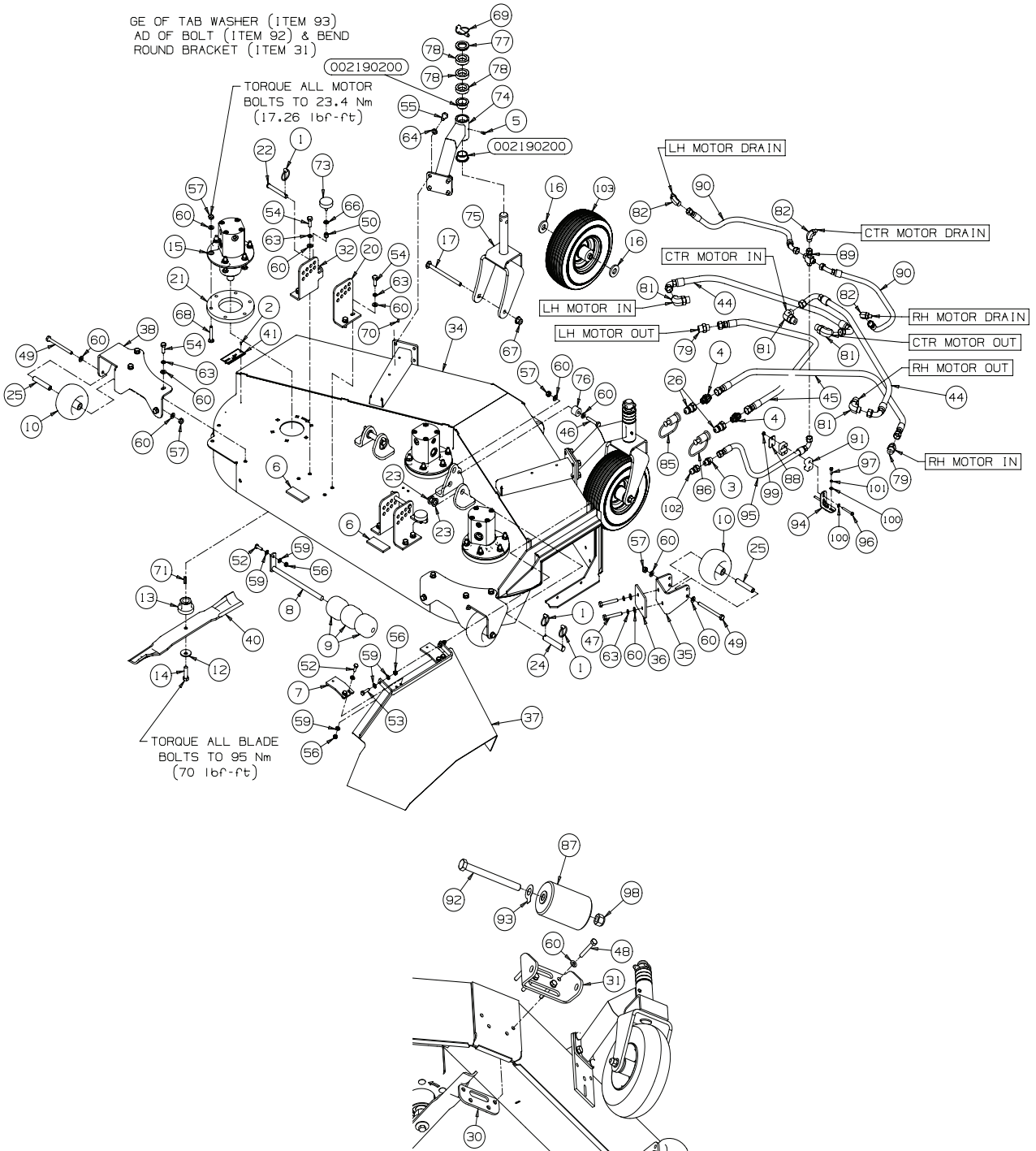


## LMAC320 160cm SIDE DISCHARGE DECK

ITEM	PART NO.	DESCRIPTION	QTY.	
1	001490740	Quick Pin	6	
2	001496150	Rivet-Pop 3.2 x 10	2	
3	002590180	Ftg-11/16 ORFS x 3/8 BSPP	1	
*	158061-01	• O-Ring	1	11/16" ORFS
*	870000081	• Seal	1	3/8" BSP
4	002590190	Ftg-13/16 ORS x 1/2 BSPP	2	
*	158061-02	• O-Ring	1	13/16" ORFS
*	870000099	• O-Ring	1	1/2" BSP
5	002993013	Lubricator-M6 Str	2	
6	168142-03	Strip-Rubber	2	
7	172257.7	Stop-Chute	2	
8	2196190	Wldmt-Shaft Roller	1	
9	2198153	Roller-3"	3	
10	2721512	Roller-5 x 2.75 .Centered	4	
12	3007764	Washer, Blade	3	
13	3008388	Adapter - Blade	3	
14	400410	Screw, 1/2-13 x 1-3/4" Hex Hd	3	
15	4177941	Motor-Deck	3	
16	4118730	Spacer 45 O/D x 20.5 I/D x 6 Thk	4	
17	4118873	Bolt-Crg M12 x 170	2	
19	4150137	Bracket-Height Adjuster LH	1	
20	4150139	Bracket-Height Adjuster RH	1	
21	4150279	Plate-Deck Motor Spacer	3	
22	4151817	Pin-Clevis, 1/2 x 3-3/4	2	
23	4151937	Spacer-20 x 30 x 5	4	
24	4157243	Pin-Deck Mtg, 3/4 x 4	2	
25	4163320	Caster Spacer 16x10.3x86	4	
26	4163522	QRC-1/2"BSPP Male	2	
30	4163637	Wldmt-Roller Bolt Backing	1	
31	4165907	Front Roller Bracket	1	
32	4169241	Brkt-Height Adjuster & Bump Stop LH	1	
33	4169242	Brkt-Height Adjuster & Bump Stop RH	1	
34	4175061	Wldmt-160 Sd Deck	1	
35	4175201	Wldmt-Antiscalp Roller Brkt	2	
36	4175202	Plate-Antiscalp Roller Stiffener	2	
37	4175203	Wldmt-Chute, 160 Sd Deck	1	
38	4175207	Brkt-Rear LH Antiscalp Roller	1	
39	4175209	Brkt-Rear RH Antiscalp Roller	1	
40	4176600	Blade 22.00 OFFST HLFT	3	
41	4176766	Serial Plate-160SD Deck	1	Non Service Part

LMAC320 160cm SIDE DISCHARGE DECK

Illustration Number: 4175060-3



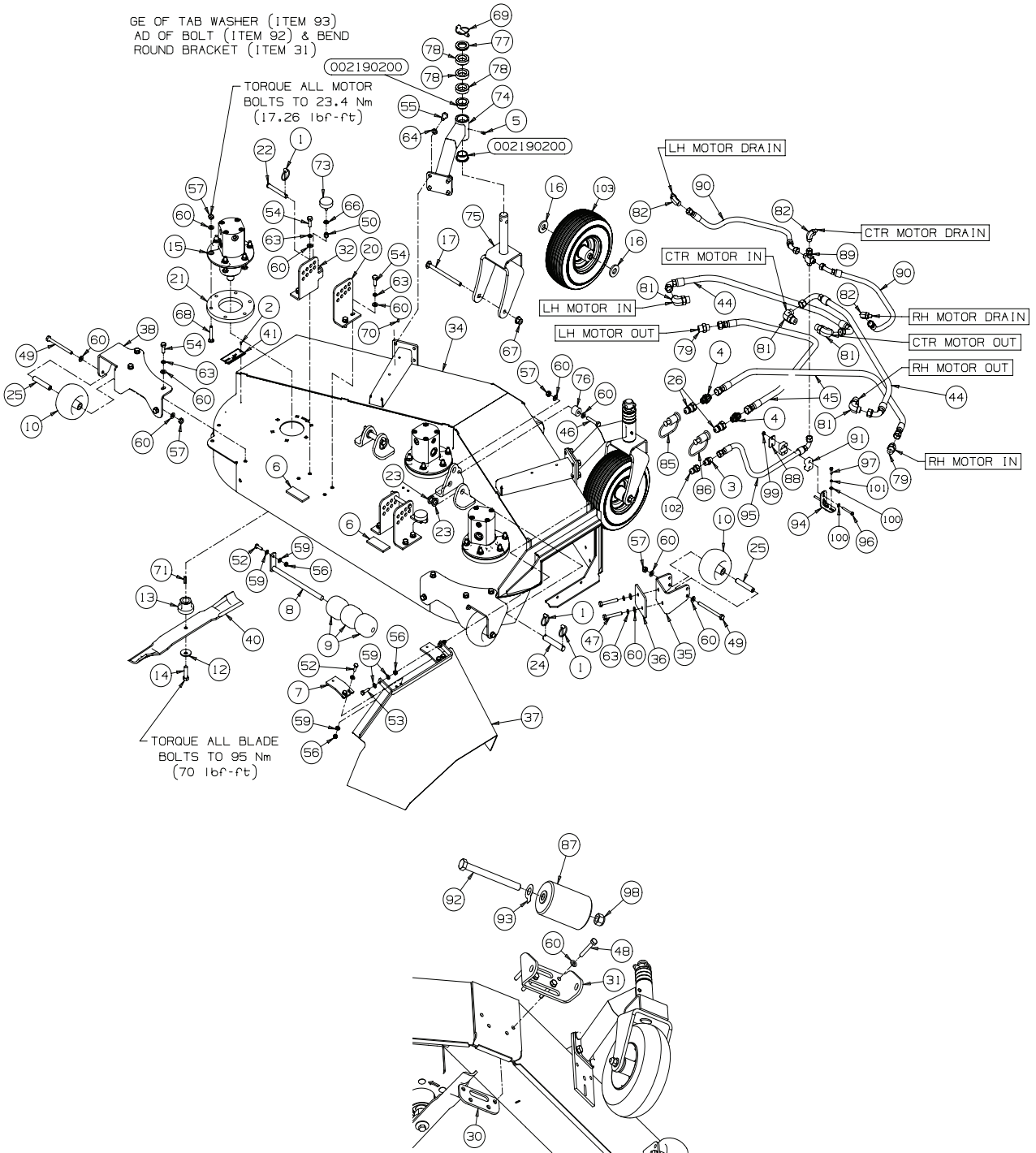


## LMAC320 160cm SIDE DISCHARGE DECK

ITEM	PART NO.	DESCRIPTION	QTY.	
44	4179001	Hose Assembly	2	RH & LH Motor to QRC
45	4179000	Hose Assembly	2	RH & LH Motor to Centre Motor
46	450033	Bolt-Hex M10 x 55	1	
47	450035	Bolt-Hex M10 x 65	4	
48	450036	Bolt-Hex M10 x 70	4	
49	450043	Bolt-Hex M10 x 120	4	
50	450120267	Nut-Hex 3/8-16 Nyloc	2	
52	450192	Scrw-Hex M8 x 25	5	
53	450193	Scrw-Hex M8 x 30	2	
54	450215	Scrw-Hex M10 x 30	16	
55	450239	Scrw-Hex M12 x 20	8	
56	450378	Nut-Hex M8 Nyloc	7	
57	450379	Nut-Hex M10 Nyloc	22	
59	450390	Wshr-M8 x 17 x 1.8	14	
60	450391	Wshr-M10 x 21 x 2.2	52	
63	450412	Wshr-Slw M10	20	
64	450424	Wshr-Slw M12	8	
66	452000326	Wshr-3/8 x 3/4 x .072	2	
67	452438	Nut-Hex M12 Flng Nyloc	2	
68	452592	Bolt-Crg M10 x 60	18	
69	469009601	Spring Clip	2	
70	48517-06	Hole-Plug.250	4	
71	557523	Key, Shaft	3	
72	990010705	QRC-1/2"BSPP Female	1	
73	J361723	Bumper Stop	2	
74	MBF1936	Asm-Caster Support	2	
75	MBF1938	Asm-Yoke, 11.00 Tyre	2	
76	MBG1313.7	Spacer-11 x 30 x 24	1	
77	MBG5426	Collar-1.266" x 2" x .250"	2	
78	MBG5427	Collar-1.266" x 2" x .500"	6	
79	W158006-06	Ftg-M/M 13/16 ORS x 7/8 SAE	2	
*	158061-02	• O-Ring	1	13/16" ORFS
*	002218104	• O-Ring	1	7/8" SAE
80	W158006-10	Ftg-M/M 11/16 ORS x 7/16 SAE	1	
*	158061-01	• O-Ring	1	11/16" ORFS
*	002218049	• O-Ring	1	7/16" SAE
81	W158007-03	90-M/M 13/16 ORS x 7/8 SAE	4	
*	158061-02	• O-Ring	1	13/16 ORFS
*	002218104	• O-Ring	1	7/8" SAE
82	W158007-09	90-M/M 11/16 ORS x 7/16 SAE	3	

LMAC320 160cm SIDE DISCHARGE DECK

Illustration Number: 4175060-3

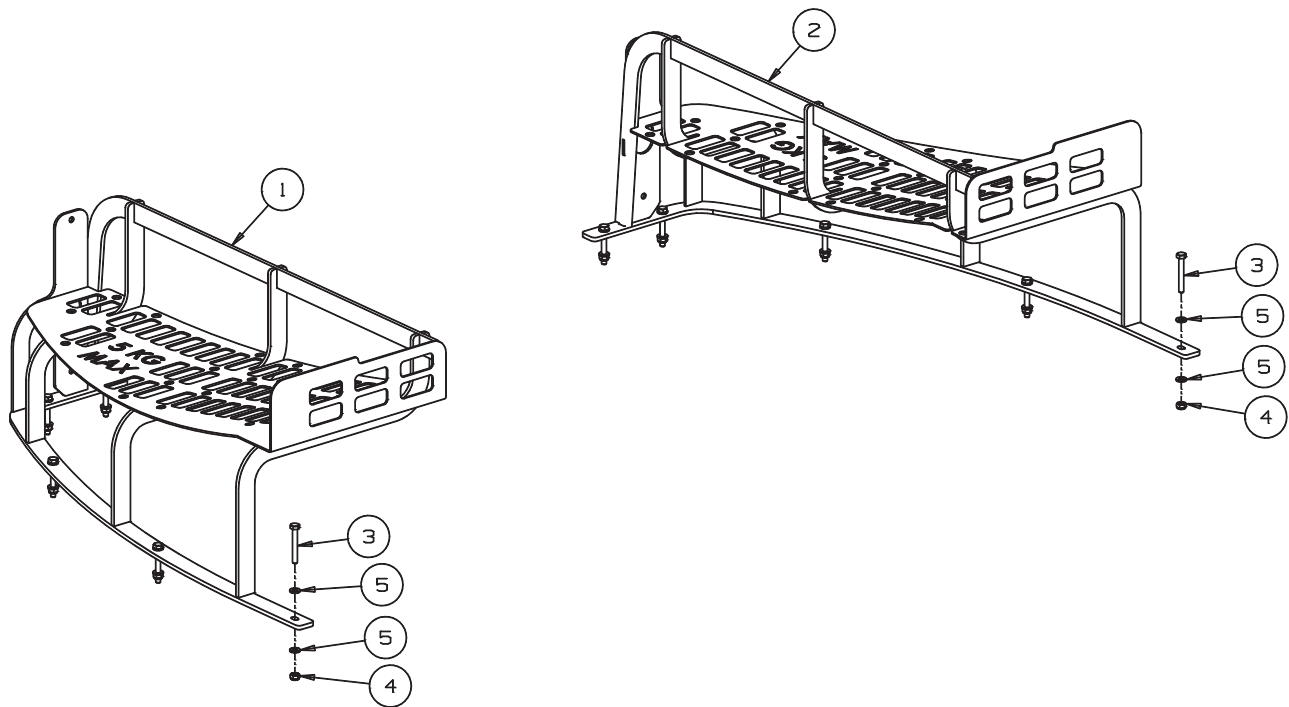


## LMAC320 160cm SIDE DISCHARGE DECK

ITEM	PART NO.	DESCRIPTION	QTY.	
*	158061-01	• O-Ring	1	11/16" ORFS
*	002218049	• O-Ring	1	7/16" SAE
83	W158010-01	Fitting - ORS Run Tree	1	
*	158061-01	• O-Ring	2	11/16" ORFS
84	W69057-01	Tee-M/M/F 11/16 ORS	1	
*	158061-01	• O-Ring	2	11/16" ORFS
85	4185260	QRC Cap (Red)	1	
86	4185261	QRC Cap (Yellow)	1	
87	163425	Roller	1	
88	4185300	Plate-17.2mm Hose Clamp	1	
89	4186000	Cross-M/M/M/F 11/16 ORFS	1	
*	158061-01	• O-Ring	2	11/16" ORFS
90	4186624	Hose-L/R Motor Drain To Centre	2	
91	4186724	Jaws-17.2mm Hose Clamp	1	
92	4186861	Bolt-Hex 3/4-10 X 8	1	
93	4186960	Washer-Tab M20	1	
94	4187060	Bracket-Hose Clamp	1	
95	4188221	Hose-Centre Motor Drain To QRC	1	
96	450005	Bolt-Hex M6 X 50	2	
97	450171	Scrw-Hex M6 X 20	2	
98	450190284	Nut-Hex 3/4-10 Nyloc	1	
99	450377	Nut-Hex M6 Nyloc	2	
100	450389	Wshr-M6 X 12.5 X 1.8	4	
101	450410	Wshr-Slw M6	2	
102	4163525	Qrc-3/8"BSPP Male	1	
103	4237022	WHEEL ASSEMBLY - 11 x 4.0 - 5	2	

LMAC272 KIT-STORAGE RACKS

Illustration Number: LMAC272

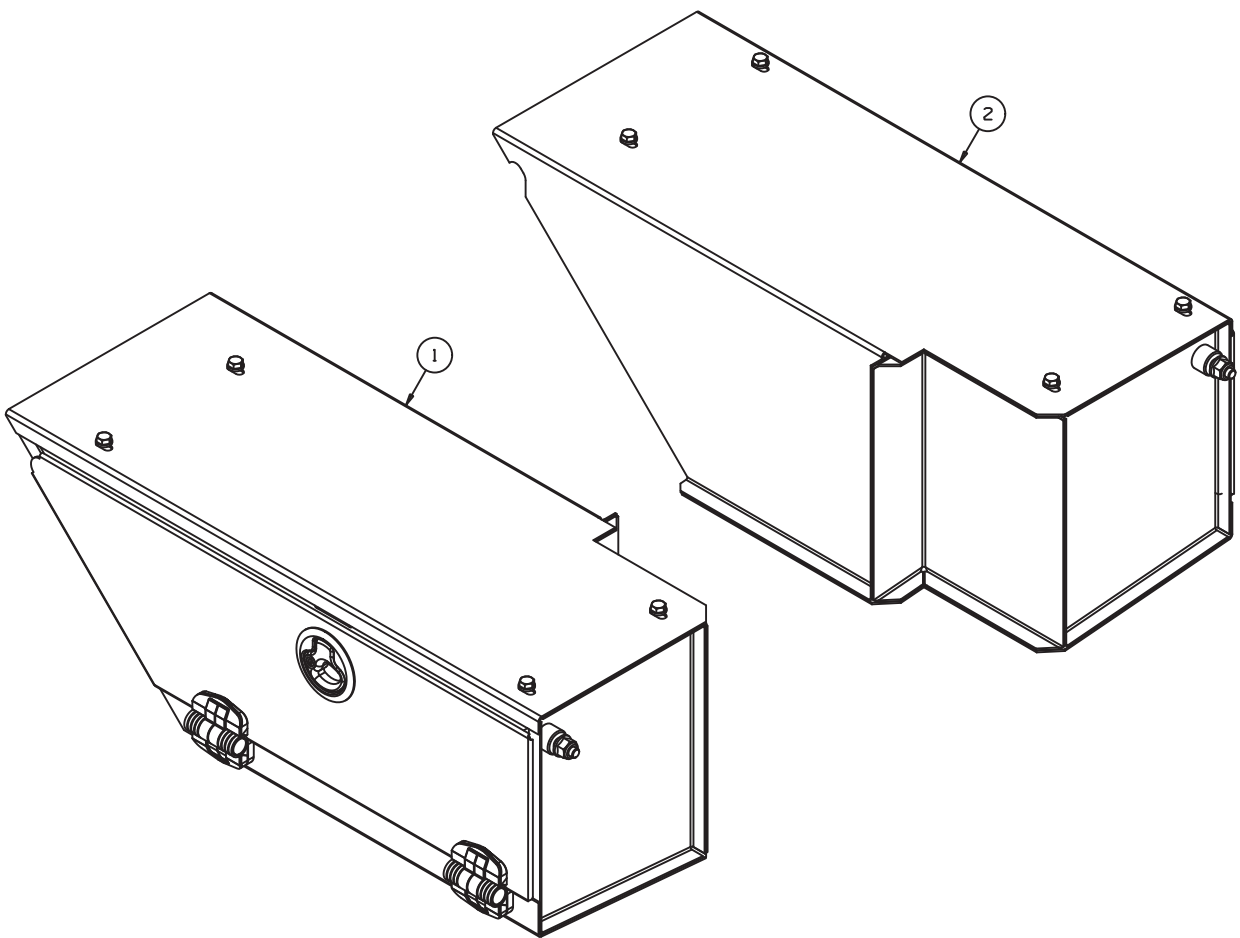


## LMAC272 KIT-STORAGE RACKS

ITEM	PART NO.	DESCRIPTION	QTY.	
	LMAC272	Storage Racks Kit Includes	1	
1	4166260	• Wldmt-Storage Rack RH	1	
2	4166261	• Wldmt-Storage Rack LH	1	
3	450004	• Bolt-Hex M6 x 45	10	
4	450389	• Wshr M6 x 12.5 x 1.8	20	
5	450377	• Nut-M6 Nyloc	10	

LMAC271 KIT-STORAGE PODS

Illustration Number: LMAC271

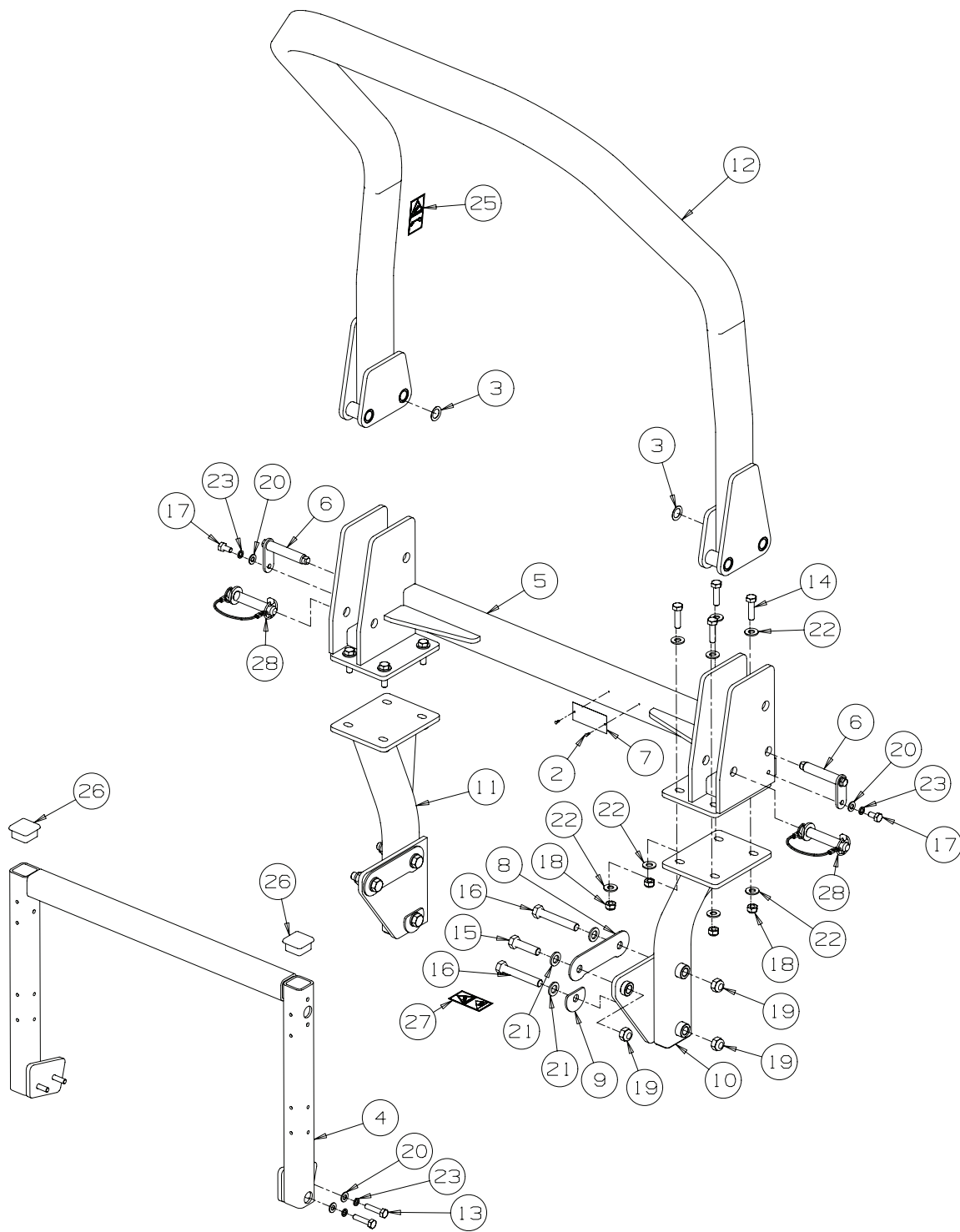


## LMAC271 KIT-STORAGE PODS

ITEM	PART NO.	DESCRIPTION	QTY.	
1		Asm-Storage Pod LH	1	
2		Asm-StoragePodx RH	1	

LMAC259 KIT-ROPS FRAME

Illustration Number: LMAC259-2



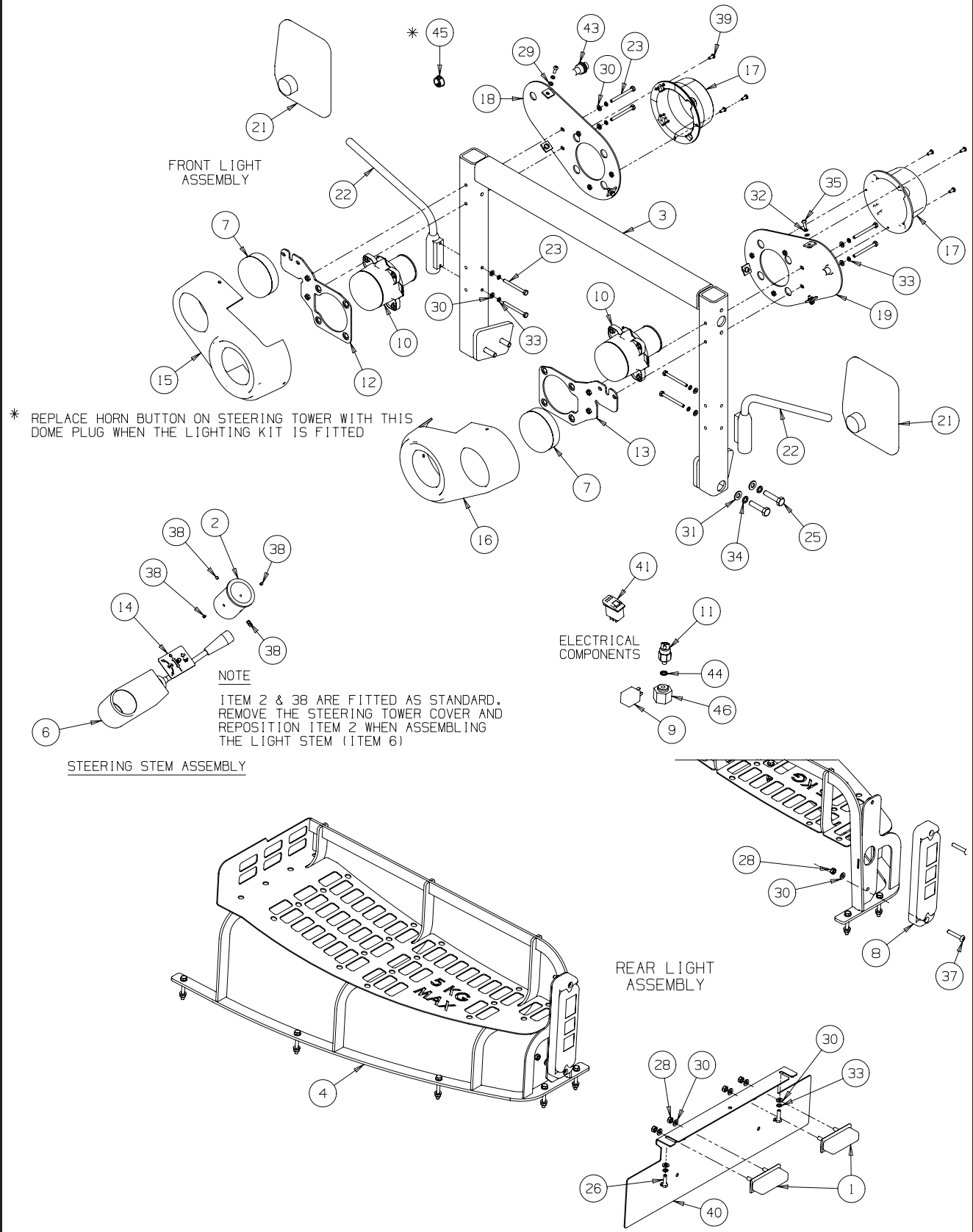


## LMAC259 KIT-ROPS FRAME

ITEM	PART NO.	DESCRIPTION	QTY.	
2	001496150	Pivet-Pop 3.2 x 10	2	
3	002921120	Sprg-Disc 20.4 x 31.7 x 0.4	A/R	
4	4156642	Wldmt-Frame, Front	1	
5	4156742	Wldmt-ROPS Pivot	1	
6	4156743	Asm-ROPS Pivot Pin	2	
7	4251339	Serial Plate-ROPS	1	
8	4164800	Plate-ROPS Chassis Stiffener	2	
9	4164801	Plate-ROPS Chassis Stiffener Disc	2	
10	4166542	Wldmt-ROPS Support LH	1	
11	4166543	Wldmt-ROPS Support RH	1	
12	4166623	Wldmt-ROPS Frame	1	
13	450031	Bolt-Hex M10 x 45	4	
14	450049	Bolt-Hex M12 x 45	8	
15	450071	Bolt-Hex M16 x 60	2	
16	450078	Bolt-Hex M16 x 100	4	
17	450213	Scrw-Hex M10 x 20	2	
18	450380	Nut-Hex M12 Nyloc	8	
19	450382	Nut-Hex M16 Nyloc	6	
20	450391	Wshr-M10 x 21 x 2.2	6	
21	450393	Wshr-M16 x 30 x 3.3	6	
22	450402	Wshr-M12 x 28 x 2.7	16	
23	450412	Wshr-Slw M10 BS.4464	6	
25	009114380	Decal-Fasten Seat Belt	1	
26	002952633	End Cap-50 x 50 x 5	2	
27	009114140	Decal-Slope 12 Deg	1	
28	MBG5722	Asm-Shear Pin & Ring	2	
*	4142205	Retracting Lap Belt-2200AS	1	
*	450392	Washer-M12 x 24 x 2.7	2	
*	456010967	Scrw-Hex 7/16-20 x 1	2	
*	4176261	Spacer-12 x 18 x 9	2	

LMAC260 KIT-LIGHTS 152cm DECK

Illustration Number: LMAC260

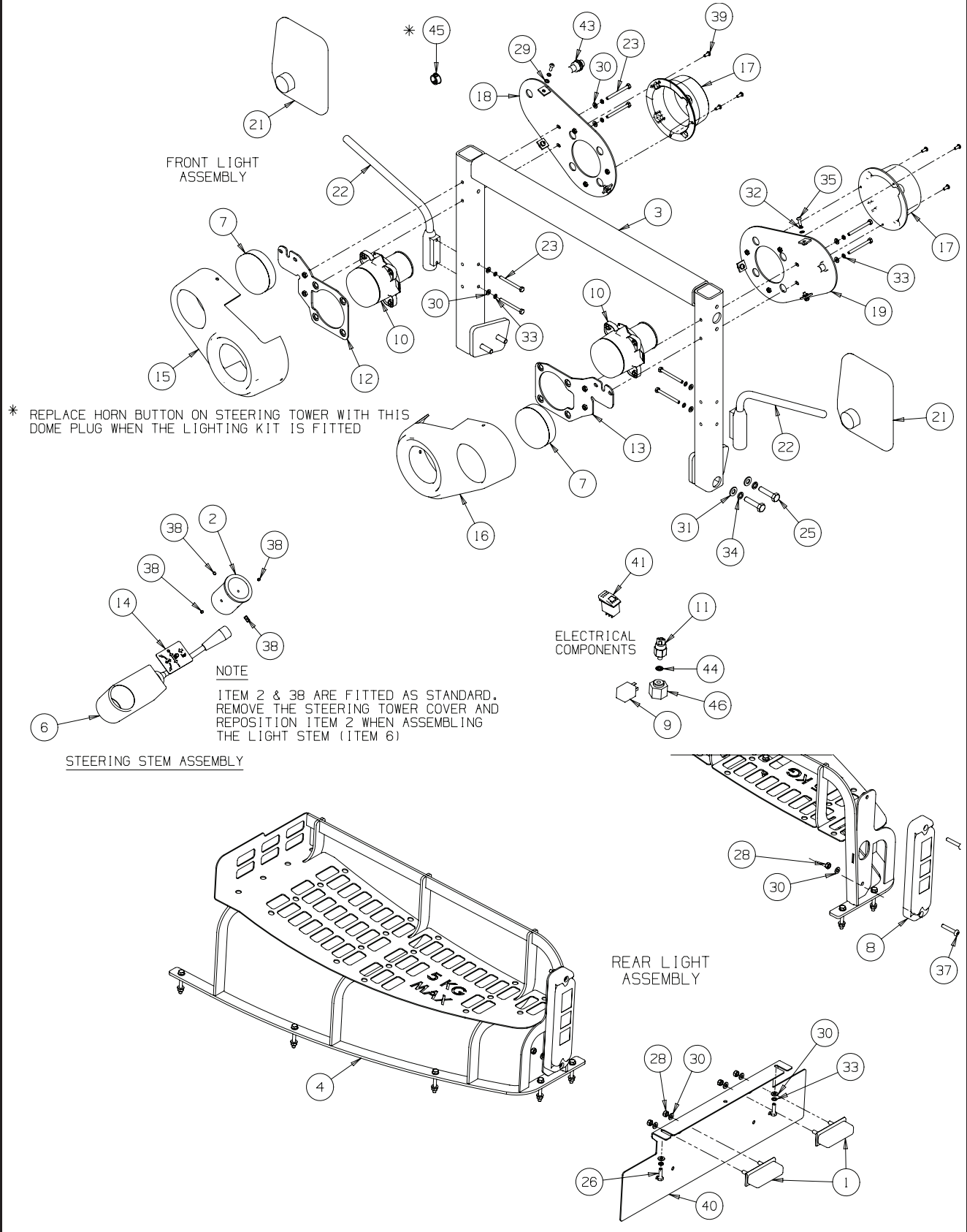


## LMAC260 KIT-LIGHTS 152cm DECK

ITEM	PART NO.	DESCRIPTION	QTY.	
1	008231811	Light-Number Plate	2	
2	4138723	St/Wheel Column Collar	1	
3	4156642	Wldmt-Frame, Front	1	
	4156760	Bracket-Rear Light	2	Fitted up to FR00321/FY000311
	4172463	Bracket-Rear Light LH	1	Fitted from FR000322/FY000312
4	LMAC272	Kit-Storage Rack	1	
6	4161622	Light Stem	1	
7	4161623	Side Indicator Lamp	2	
8	4161624	Rear Light Cluster	2	
9	4161625	Relay-Flasher	1	
10	4161780	Work/Headlamp	2	
*	4174040	• Headlamp Adjuster - Set	2	
11	4198561	Pressure Switch (Brake Lights)	1	
12	4170900	Wldmt-RH Light Bracket	1	
13	4170901	Wldmt-LH Light Bracket	1	
14	4164661	Decal-Lighting Stalk	1	
15	4165801	Front-Cover Light Cluster RH	1	
16	4165802	Front Cover-Light Cluster LH	1	
17	4165803	Rear Cover-Work/Headlamp	2	
18	4223682	Wldmt-RH Front Light Backing	1	
19	4223683	Wldmt-LH Front Light Backing	1	
21	4167120	Mirror, Unbreakable	2	
22	4167121	Wing Mirror Stem	2	
23	450008	Bolt-Hex M6 x 65	8	
24	450010	Bolt-Hex M6 x 75	1	
25	450031	Bolt-Hex M10 x 45	4	
26	450171	Scrw-Hex M6 x 20	2	
27	450376	Nut-Hex M5 Nyloc	4	
28	450377	Nut-Hex M6 Nyloc	8	
29	450388	Wshr-M5 x 10 x 1.1	14	
30	450389	Wshr-M6 x 12.5 x 1.8	18	
31	450391	Wshr-M10 x 21 x 2.2	4	
32	450409	Wshr-SLW M5	6	
33	450410	Wshr-SLW M6	10	
34	450412	Wshr-SLW M10	4	
35	450528	Scrw-Pan Hd M5 x 16	6	
36	450532	Scrw-Pan Hd M5 x 35	4	
37	450545	Scrw-Pan Hd M6 x 35	4	
38	450940	Scrw-Set M4 x 4, Cup Pnt	4	
39	450526	Scrw-Pan Hd M5 x 12	6	
40	MBG4821	Plate-Reg No	1	
*	4161784	• Front Wiring Harness	2	

LMAC260 KIT-LIGHTS 152cm DECK

Illustration Number: LMAC260

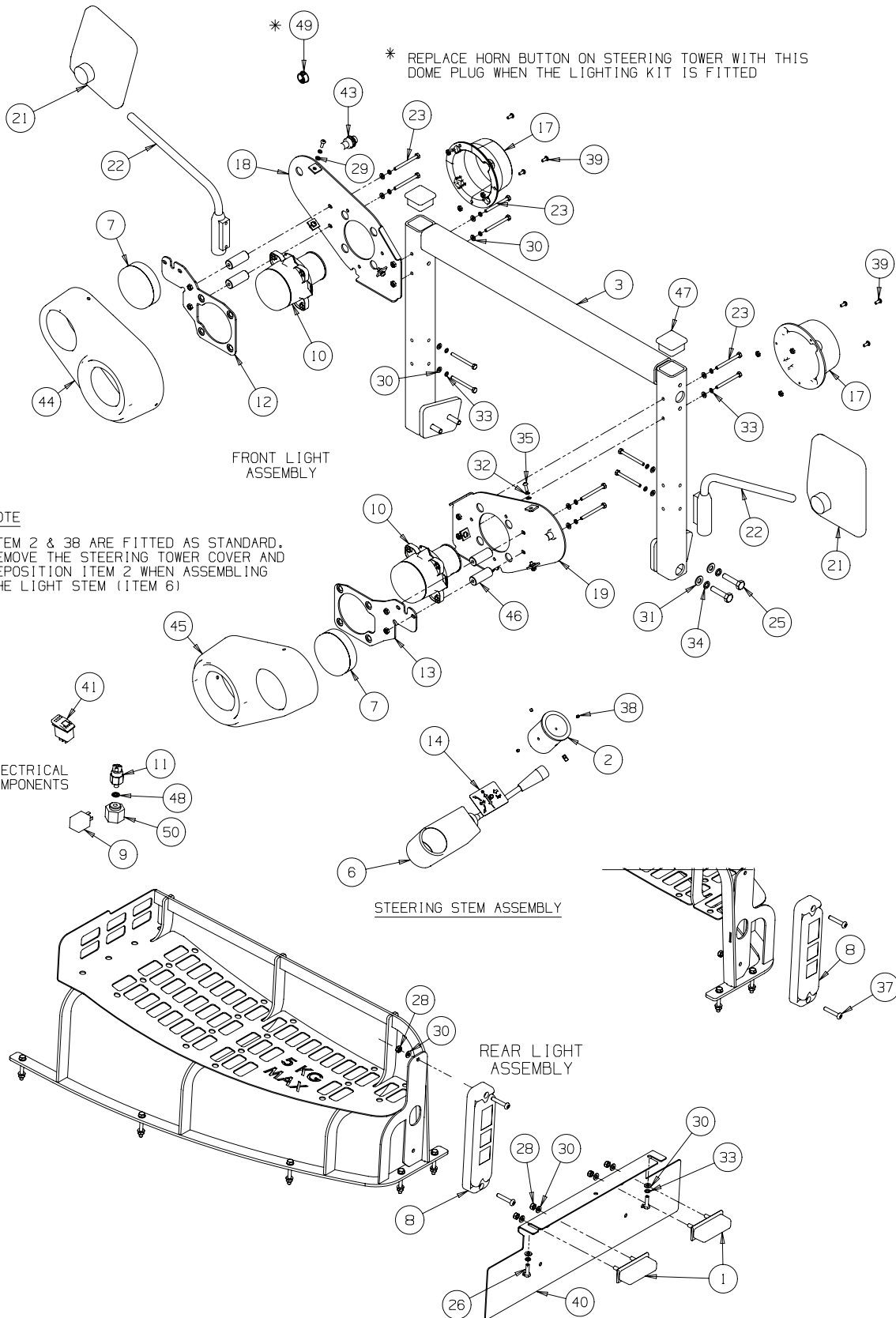


## LMAC260 KIT-LIGHTS 152cm DECK

ITEM	PART NO.	DESCRIPTION	QTY.	
*	4161785	• Rear Wiring Harness	1	
41	4159221	Hazard Switch	1	Fitted up to FR00321/FY000311
41	4138892	Hazard Switch	1	Fitted from FR000322/FY000312
42	4171200	Bracket-Rear Light RH	1	Fitted from FR000322/FY000312
43	4172461	Indicator Repeater Lens	2	Fitted from FR000322/FY000312
44	870000065	1/8 BSP Dowty Washer	1	
45	4179501	Dome Plug	1	
46	4188360	Test Point-1/8 BSPP x 1-3/16 ORS	1	Fitted from FR000500/FY000348
*	4294532	Relay Block	1	

LMAC297 KIT-LIGHTS 183cm DECK

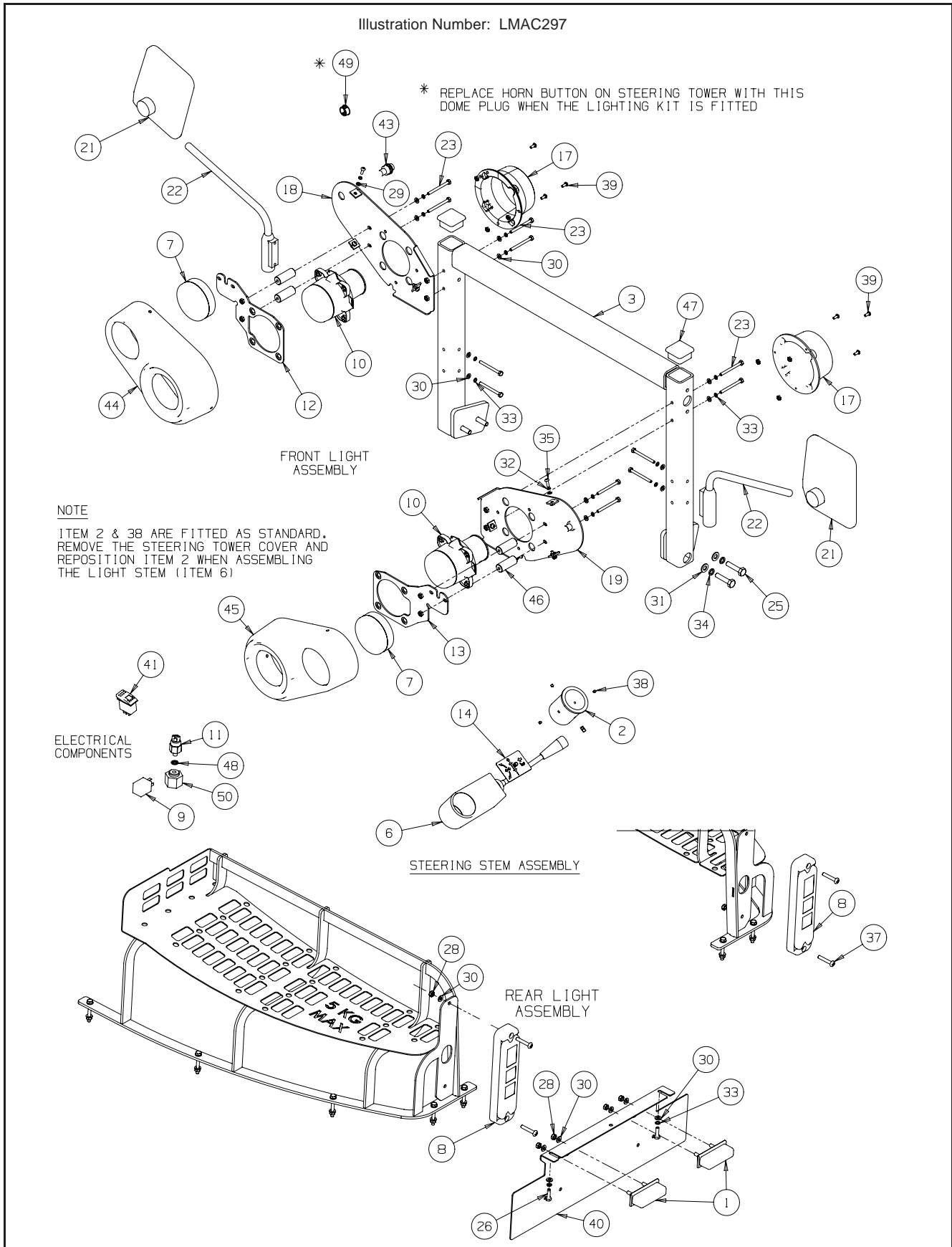
Illustration Number: LMAC297



## LMAC297 KIT-LIGHTS 183cm DECK

ITEM	PART NO.	DESCRIPTION	QTY.	
1	008231811	Light-Number Plate	2	
2	4138723	St/Wheel Column Collar	1	
3	4156642	Wldmt-Frame, Front	1	
	4156760	Bracket-Rear Light	2	
	4172463	Bracket-Rear Light LH	1	
4	LMAC272	Kit-Storage Racks	1	
6	4161622	Light Stem	1	
7	4161623	Side Indicator Lamp	2	
8	4161624	Rear Light Cluster	2	
9	4161625	Relay-Flasher	1	
10	4161780	Work/Headlamp	2	
*	4174040	• Headlamp Adjuster - Set	2	
11	4198561	Pressure Switch (Brake Lights)	1	
12	4170900	Wldmt-RH Light Bracket	1	
13	4170901	Wldmt-LH Light Bracket	1	
14	4164661	Decal-Lighting Stalk	1	
17	4165803	Rear Cover-Work/Headlamp	2	
18	4175360	Wldmt-RH Front Light Backing	1	
19	4175361	Wldmt-LH Front Light Backing	1	
20	4165833	Rear Cover-Work/Headlamp LH	1	
21	4167120	Mirror, Unbreakable	2	
22	4167121	Wing Mirror Stem	2	
23	450008	Bolt-Hex M6 x 65	12	
25	450031	Bolt-Hex M10 x 45	4	
26	450171	Scrw-Hex M6 x 20	2	
27	450376	Nut-Hex M5 Nyloc	4	
28	450377	Nut-Hex M6 Nyloc	8	
29	450388	Wshr-M5 x 10 x 1.1	14	
30	450389	Wshr-M6 x 12.5 x 1.8	22	
31	450391	Wshr-M10 x 21 x 2.2	4	
32	450409	Wshr-SLW M5	6	
33	450410	Wshr-SLW M6	10	
34	450412	Wshr-SLW M10	4	
35	450528	Scrw-Pan Hd M5 x 16	6	
36	450532	Scrw-Pan Hd M5 x 35	4	
37	450545	Scrw-Pan Hd M6 x 35	4	
38	450940	Scrw-Set M4 x 4, Cup Pnt	4	
39	450526	Scrw-Pan Hd M5 x 12	6	
40	MBG4821	Plate-Reg No	1	
*	4161784	• Front Wiring Harness	2	

LMAC297 KIT-LIGHTS 183cm DECK



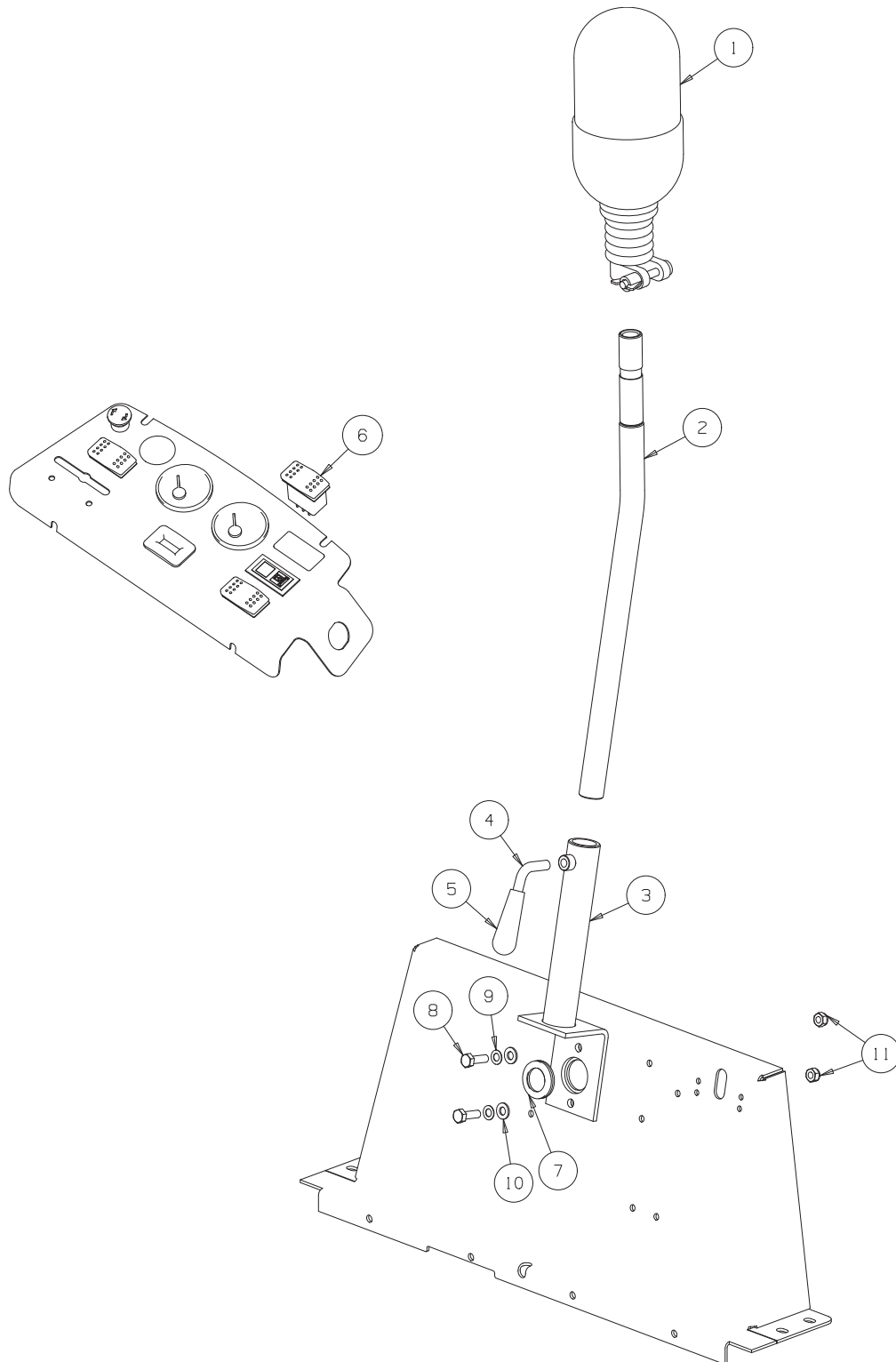


## LMAC297 KIT-LIGHTS 183cm DECK

ITEM	PART NO.	DESCRIPTION	QTY.	
*	4161785	• Rear Wiring Harness	1	
41	4159221	Hazard Switch	1	Fitted up to FR00321/FY000311
41	4138892	Hazard Switch	1	Fitted from FR000322/FY000312
42	4171200	Bracket-Rear Light RH	1	
43	4172461	Indicator Repeater Lens	2	
44	4175367	Front Cover-Light Cluster RH (72")	1	
45	4175368	Front Cover-Light Cluster LH (72")	1	
46	4175520	Spacer-20x7x50	4	
47	002952633	End Cap-50 x 50 x 5	2	
48	870000065	1/8" Dowty Washer	1	
49	4179501	Dome Plug	1	
50	4188360	Test Point-1/8 BSPP x 1-3/16 ORS	1	Fitted from FR000500/FY000348

LMAC290 KIT-ROTATING BEACON

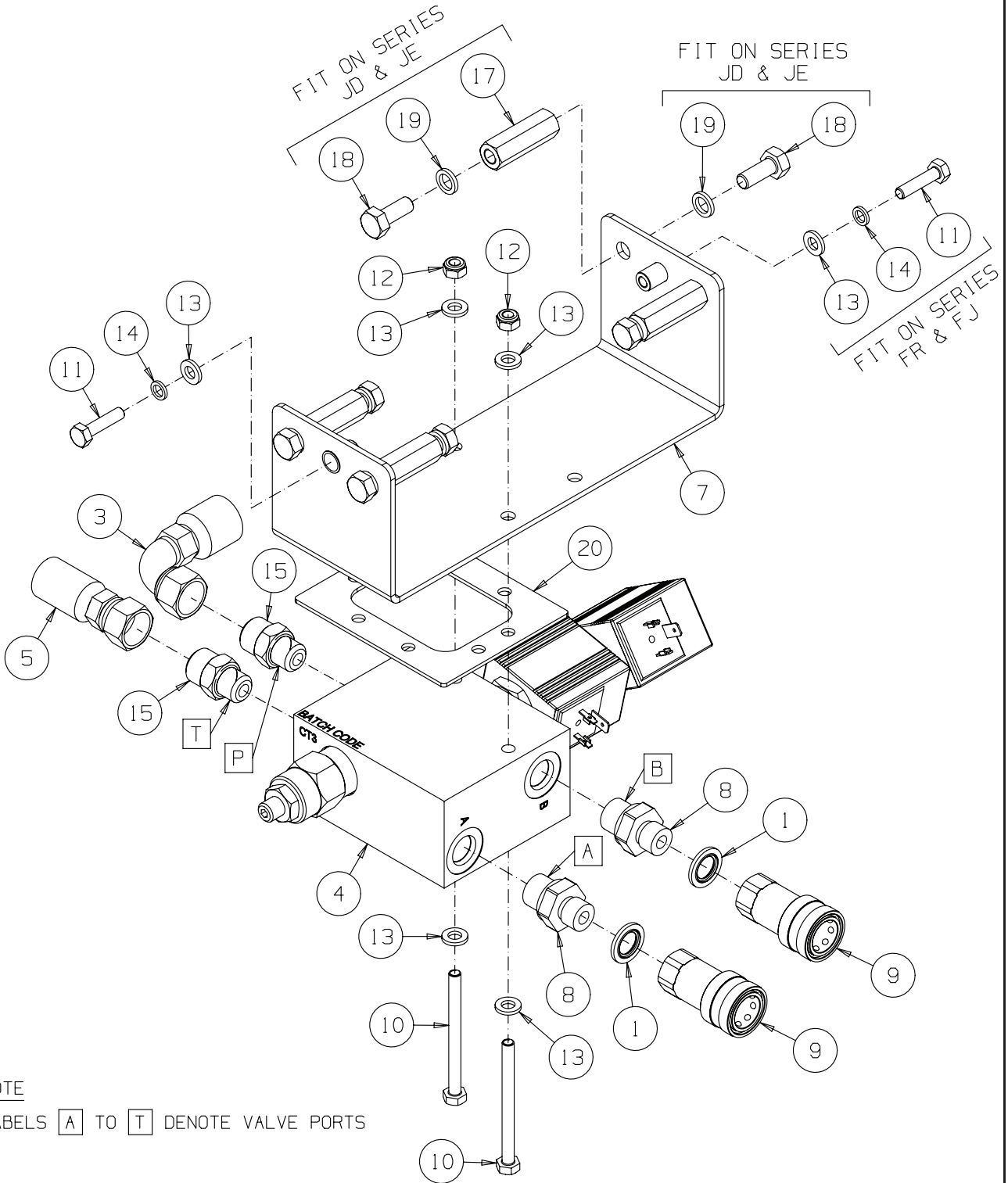
Illustration Number: LMAB640



## LMAC290 KIT-ROTATING BEACON

ITEM	PART NO.	DESCRIPTION	QTY.	
	LMAC290	Beacon Kit Includes	1	
1	4158200	• Rotating Beacon	1	
2	MBF1873	• Wldmt-Beacon Upright	1	
3	MBF1872	• Wldmt-Beacon Base	1	
4	MBG5198	• Handle	1	
5	002990227	• Knob	1	
6	4159220	• Beacon Switch - Teal	1	
7	002953320	• Grommet	1	
8	450192	• Scrw-Hex M8 x 25	2	
9	450433	• Wshr-Serrated M8	2	
10	450390	• Wshr-M8 x 17 x 1.8	2	
11	450378	• Nut M8 Nyloc	2	
*	009057400	• Wiring Harness	1	
*	008238460	• Brass Insert	1	
*	008238470	• Cover- Brass Insert	1	
*	001992113	• Cable Tie 140 x 3.6	2	

Illustration Number: LMAC307



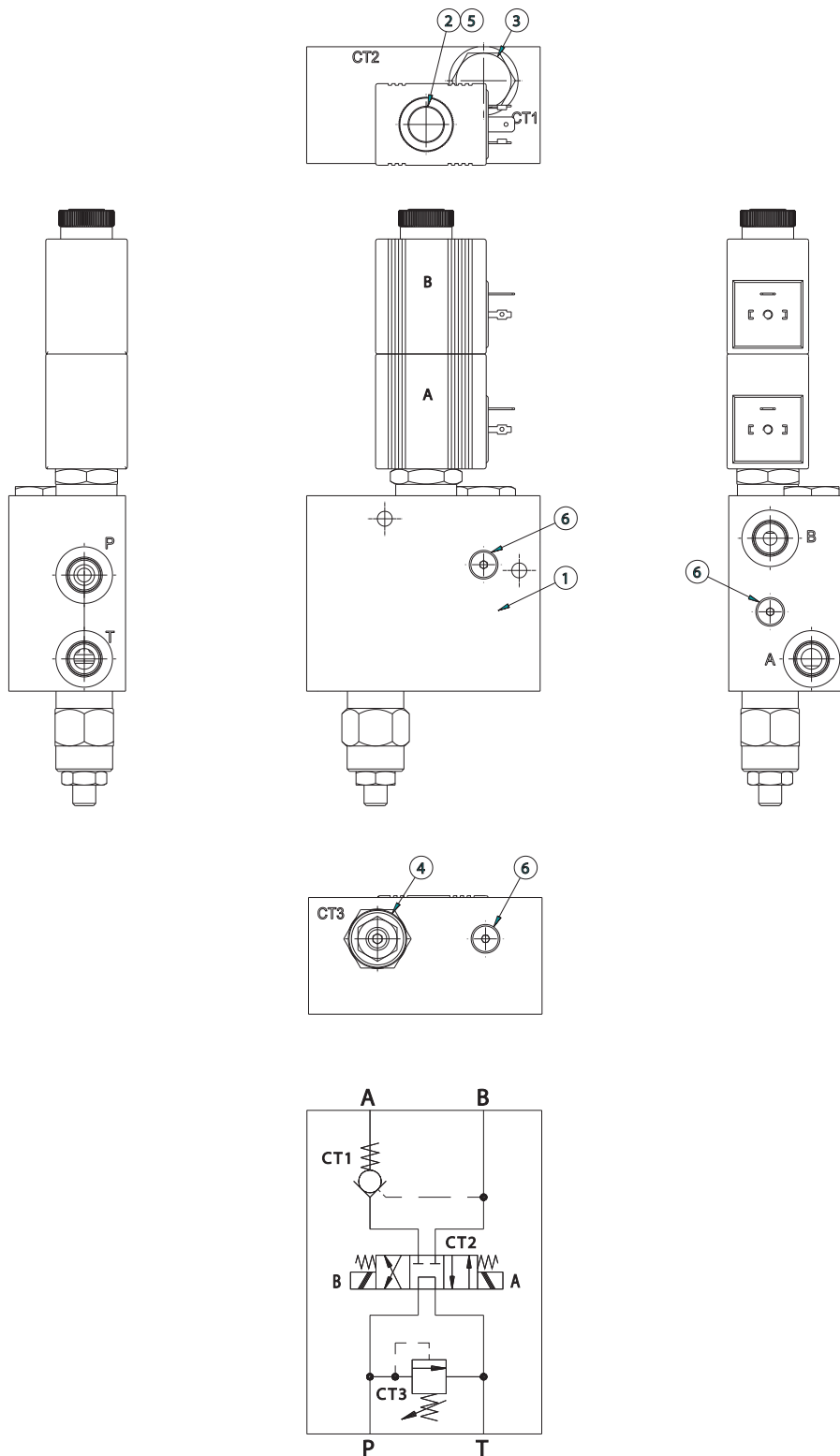
NOTE  
LABELS [A] TO [T] DENOTE VALVE PORTS

## LMAC307 KIT-AUXILIARY HYDRAULIC SERVICES

ITEM	PART NO.	DESCRIPTION	QTY.	
1	002591040	1/4" BSP Dowty Seal	2	
2	4152478	Wldmt-Platform	1	
3	4166700	Hose Assembly	1	Not included in Kit LMAC307
4	4173283	Valve	1	
5	4176920	Hose-Lift Valve 'SP' to Aux Valve 'P'	1	
6	4177121	Harness-Jumper, Aux Hydraulic Valve	1	Not Illustrated
7	4177184	Assembly-Aux Hyd Valve Bracket	1	
8	4177201	Ftg-M/M 1/4 BSPP X 9/16 SAE	2	
*	002218065	• O-Ring	1	9/16" SAE
9	4177202	QRC-1/4"BSPP Female	2	
10	450009	Bolt-Hex M6 X 70	2	
11	450172	Scrw-Hex M6 X 25	2	
12	450377	Nut-Hex M6 Nyloc	2	
13	450389	Wshr-M6 X 12.5 X 1.8	6	
14	450410	Wshr-Slw M6	2	
15	W158006-01	Ftg-M/M 11/16 ORS X 9/16 SAE	2	
*	158061-01	• O-Ring	1	11/16" ORFS
*	002218065	• O-Ring	1	9/16" SAE
16	008233156	Fuse-5 Amp	1	Not illustrated
17	4211920	Spacer-Hex M8 x 40	4	
18	450191	Scrw-Hex M8 x 20	8	
19	450411	Lockwshr-M8 x 12.75 x 2	8	
20	4252554	Spacer Plate	1	

AUXILIARY HYDRAULIC SERVICES VALVE, INTEGRATED HYDRAULICS (4173283)

Illustration Number: 4173283



---

**AUXILIARY HYDRAULIC SERVICES VALVE, INTEGRATED HYDRAULICS (4173283)**

ITEM	PART NO.	DESCRIPTION	QTY.	
	4173283	Auxiliary Hydraulic Services Valve	1	
1	4173702	• Block	1	
2	4171467	• Solenoid Valve	1	Torque 30 Nm
*	4171468	•• Seal Kit	1	
3	4173700	• Check Valve	1	Torque 45 Nm
*	4173701	•• Seal Kit	1	
4	4173703	• Relief Valve	1	Torque 45 Nm
*	4171464	• Seal Kit	1	
5	4171469	• 12VDC Coil	1	Torque 3.4 Nm
6	4171445	• 1/8" SAE Blanking Plug	1	Torque 4.5 Nm + Loctite









---

Ransomes Jacobsen Limited  
West Road, Ransomes Europark, Ipswich,  
England, IP3 9TT  
English Company Registration No. 1070731  
[www.ransomesjacobsen.com](http://www.ransomesjacobsen.com)

Jacobsen, A Textron Company  
11108 Quality Drive, Charlotte,  
NC 28273, USA  
[www.Jacobsen.com](http://www.Jacobsen.com)