



Parts Manual

Ransomes HR300

With ROPS Series: JD0
Product code: RHR33002

With Cab Series: JD1
Product code: RHR33003

Jacobsen HR300

With ROPS Series: JE0
Product code: JHR33002

With Cab Series: JE1
Product code: JHR33003

WARNING

WARNING: If incorrectly used this machine can cause severe injury. Those who use and maintain this machine must be trained in its proper use, warned of its dangers and must read the entire manual before attempting to set up, operate, adjust or service the machine.

Ransomes Jacobsen Limited reserves the right to make design changes without obligation to make these changes on units previously sold and the information contained in this manual is subject to change without notice.

TABLE OF CONTENTS

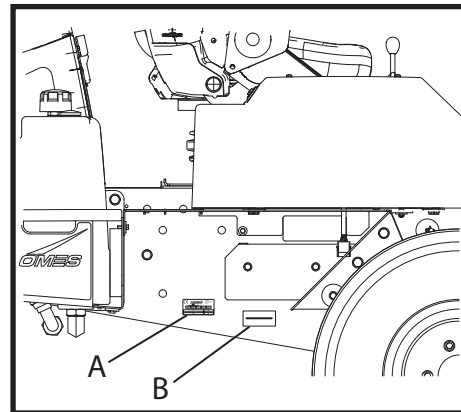
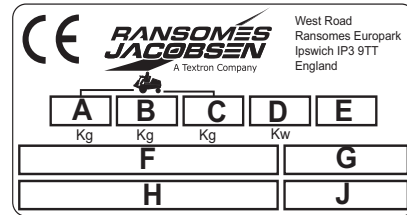
SECTION	PAGE	SECTION	PAGE
1.1	CHASSIS.....8	14.3	ARMREST POD..... 94
1.2a	4WD REAR AXLE AND STEERING (FOR MACHINES FITTED WITH ROPS)..... 12	15.1	TRACTION PEDAL..... 96
1.2b	4WD REAR AXLE AND STEERING (FOR MACHINES FITTED WITH CAB).....14	15.2	INSTRUMENT PANEL..... 98
1.3	DECK MOUNTING.....16	15.3	PANEL ASSEMBLY..... 100
1.4	BULKHEAD.....18	16.1	DECALS..... 102
1.4a	JUMP START CONNECTOR.....20	19.1	LMAC266 152cm REAR DISCHARGE DECK..... 108
1.5	BUMPER NAMEPLATE.....22	19.2	LMAC267 183cm REAR DISCHARGE DECK..... 116
1.6	PLATFORM.....24	19.3	LMAC294 152cm ENVIRODECK..... 122
1.7	DEFLECTOR.....26	19.4	LMAC320 160cm SIDE DISCHARGE DECK..... 130
1.8a	ROPS (ISO 21299) AND HARDPOINT.....28	19.5	LMAC456 KIT-STORAGE RACKS..... 136
1.8b	ROPS (OECD CODE 4) AND HARDPOINT (OPTIONAL)..... 30	19.6	LMAC271 KIT-STORAGE BOX..... 138
1.9	TOOLBOX.....32	19.7	LMAC466 KIT-LIGHTS 152cm DECK..... 146
2.2	FUEL TANK AND FRAME.....34	19.8	LMAC467 KIT-LIGHTS 183cm DECK..... 148
3.2	HYDRAULIC TANK AND FRAME.....36	19.9	LMAC383 KIT-BEACON..... 152
4.1	BATTERY TRAY.....38	19.10	LMAC478 KIT-MOW MODE SWITCH..... 154
6.1	FRONT WHEEL AND MOTOR.....40	19.11	LMAC307 KIT-AUXILIARY HYDRAULIC SERVICES..... 156
6.2	REAR WHEEL AND MOTOR.....44	19.12	4178441 CAB KIT..... 160
6.2a	DANFOSS REAR WHEEL MOTOR (4139426).....46	19.13a	LMAC461-F SLOPE KIT WITH ARAMIDE ("KEVLAR") TYRES FOR ROPS ONLY..... 194
6.3	PUMPS.....50	19.13b	LMAC401 TST™ (Tilt Sensor Technology) KIT..... 196
6.3a	SAUER DANFOSS TRANSMISSION PUMP (4162660).....52	19.14a	LMAC473-F WEIGHT KIT FOR 152cm DECK + CAB, AND WESSEX FLAIL..... 298
6.4	LIFT VALVE.....54	19.14b	LMAC485-F WEIGHT KIT FOR 183cm DECK + CAB..... 200
6.5	CUTTER VALVE.....56		
6.6	BRAKE VALVE.....58		
6.7	TRANSMISSION VALVE.....60		
6.8	HYDRAULIC FILTER.....62		
6.9	QRC BULKHEAD.....64		
6.10	CASAPPA DECK MOTOR (4177941).....66		
7.1	ENGINE AND MOUNTING.....68		
7.2	TURBO ENGINE EXHAUST.....72		
7.3	RADIATOR.....74		
7.4	AIR CLEANER MOUNTING.....74		
8.1	ENGINE HOOD.....76		
8.2	LOWER COVER.....78		
14.1	SEAT AND MOUNTING.....80		
14.1a	GRAMMER MSG75 SEAT (4164150).....84		
14.1b	GRAMMER MSG85 SEAT (4140320).....86		
14.2	ARMREST POD MOUNTING.....92		

INTRODUCTION

PRODUCT IDENTIFICATION

2.2 PRODUCT IDENTIFICATION

- A Maximum front axle load in Kg (for machines being driven on the highway)
- B Gross weight (mass) in Kg
- C Maximum rear axle load in Kg (for machines being driven on the highway)
- D Power in Kw
- E Date code
- F Machine type (Designation)
- G Product code
- H Product name
- J Serial number



SERIAL PLATE LOCATION

The serial plate (A) is located on the right hand chassis rail.

Chassis Stamping

The serial number (A) and the date code (B) are stamped on the right hand chassis rail next to the serial plate.

SPARES STOCKING GUIDE

To keep your equipment fully operational and productive, Ransomes suggests you maintain a stock of the more commonly used maintenance items. We have included part numbers for the additional support materials and training aids.

SERVICE SUPPORT MATERIAL			
Part No.	Description	4233942	Tyre OTR Grassmaster
	Kubota Engine Parts Manual	4161500	Fuel Tank Cap - Lockable
	Kubota Engine Operators Manual	008230310	Battery-Type 093
	Kubota Engine Service Manual	4199061	Filter Element - Hydraulic Fluid
4199061	Filter Element, 10 Micron Absolute	4155781	Air Cleaner Element
25017G	Safety, Ops and Maintenance Manual		

HOW TO USE THE PARTS MANUAL**ITEM NUMBER**

Each part which is identified in the illustrations has an item number. Parts which do not have an item number may not be readily identified in the illustration but are usually closely associated with the immediately adjacent part.

ASSEMBLIES

A complete assembly, e.g. a wheel motor or hydraulic motor or roll assembly, is listed as a complete item with subsequent individual components listed separately.

The assembly is listed under its part number with component parts being listed offset to the right, e.g.:-

ITEM	PART NO.	DESCRIPTION	QTY	REMARKS
4295	MBG2504	Bracket	1	
4296	MBG3848	Latch	2	
4298	450865	Screw, M8 X 20, Sckt Csk Hd	2	
4300	450378	Nut, M8 Nyloc	2	
4301	WI001	Set Of Wheels	1	
4301.1	008162130	• Wheel & Hub Assy	1	(Rear)
4301.2	008170390	•• Tyre	1	
4301.3	008161830	•• Rim	1	
4301.4	008169140	•• Hub Assy.	1	
4301.5	008169150	•• Cap	1	
4301.6	002993010	•• Lubricator	1	
4301.7	008161990	• Wheel & Tyre	2	(Front)
4301.8	008170780	•• Tyre	2	

It may not be possible to illustrate every item. With certain items purchased from outside suppliers some component parts may not be available from Ransomes and may need to be specially ordered from the supplier.

QUANTITIES

Quantities shown are for one assembly or sub-assembly.

USING THE PARTS LIST

Determine the function and application of the part required. Turn to the main index page and select the appropriate section. Locate the part on the illustration and parts list and read off the quantity from the appropriate MODEL column.

NUMERICAL INDEX

This is a summary of all part numbers used in the manual arranged in numerical sequence and showing the page and item number under which the parts appear.

ORDERING OF SPARE PARTS

When ordering replacement parts, it is most important to quote the SERIAL NUMBER of the machine, PART NUMBER, DESCRIPTION and QUANTITY required.

Any arbitrary modifications carried out on this machine may relieve the manufacturer of liability for any resulting damage or injury.

ABBREVIATIONS

N/A Not Available
AR As Required

GUIDELINES FOR THE DISPOSAL OF SCRAP PRODUCTS

DURING SERVICE LIFE

Used oil, oil filters and engine coolant are hazardous materials and should be handled in a safe and environmentally responsible way.

In the event of a fluid leak, contain the spill to prevent it entering the ground or drainage system. Local legislation will dictate how such spills are to be treated.

Following the maintenance procedures laid out in this manual will ensure that the impact the machine has on the local environment is controlled.

When it has been identified that a turf care product has no further functional value and requires disposal, the following actions should be taken.

END OF SERVICE LIFE

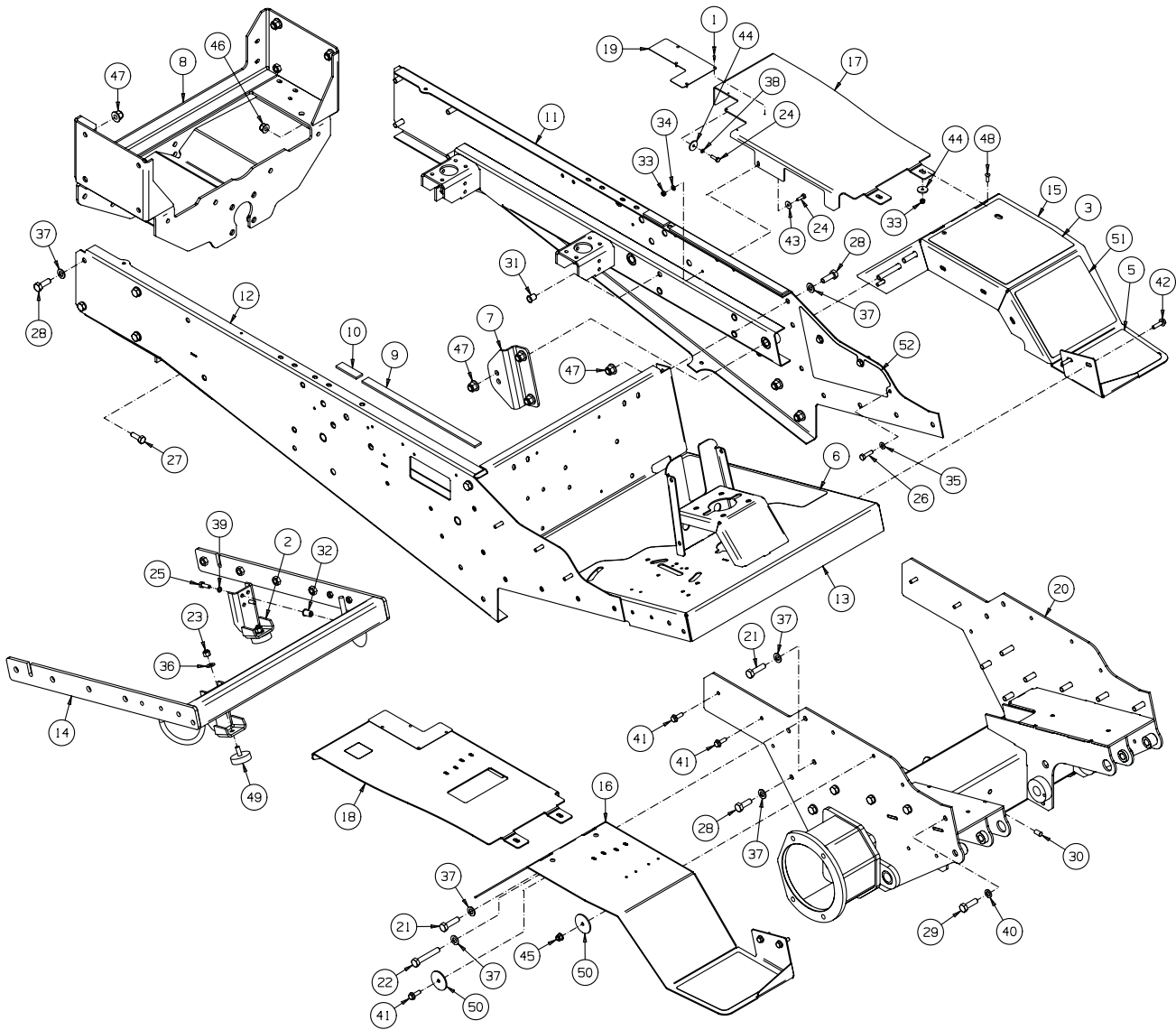
These guidelines should be used in conjunction with applicable Health, Safety and Environmental legislation and use of approved local facilities for waste disposal and recycling.

- Position the machine in a suitable location for any necessary lifting equipment to be used.
- Use appropriate tools and Personal Protective Equipment (PPE) and take guidance from the technical manuals applicable to the machine.
- Remove and store appropriately:
 1. Batteries
 2. Fuel residue
 3. Engine coolant
 4. Oils
- Disassemble the structure of the machine referring to the technical manuals where appropriate. Special attention should be made for dealing with 'stored energy' within pressurised elements of the machine or tensioned springs.
- Any items that still have a useful service life as second hand components or can be re-serviced should be separated and returned to the relevant centre.
- Other worn out items should be separated into material groups for recycling and disposal consistent with available facilities. More common separation types are as follows:
 - Steel
 - Non ferrous metals
 - Aluminium
 - Brass
 - Copper
 - Plastics
 - Identifiable
 - Recyclable
 - Non recyclable
 - Not identified
 - Rubber
 - Electrical & Electronic Components
- Items that cannot be separated economically into different material groups should be added to the 'General waste' area.
- Do not incinerate waste.

Finally update machinery records to indicate that the machine has been taken out of service and scrapped. Provide this serial number to Ranmsomes Jacobsen Warranty department to close off relevant records.

1.1 CHASSIS

Illustration Number: 4230420-5



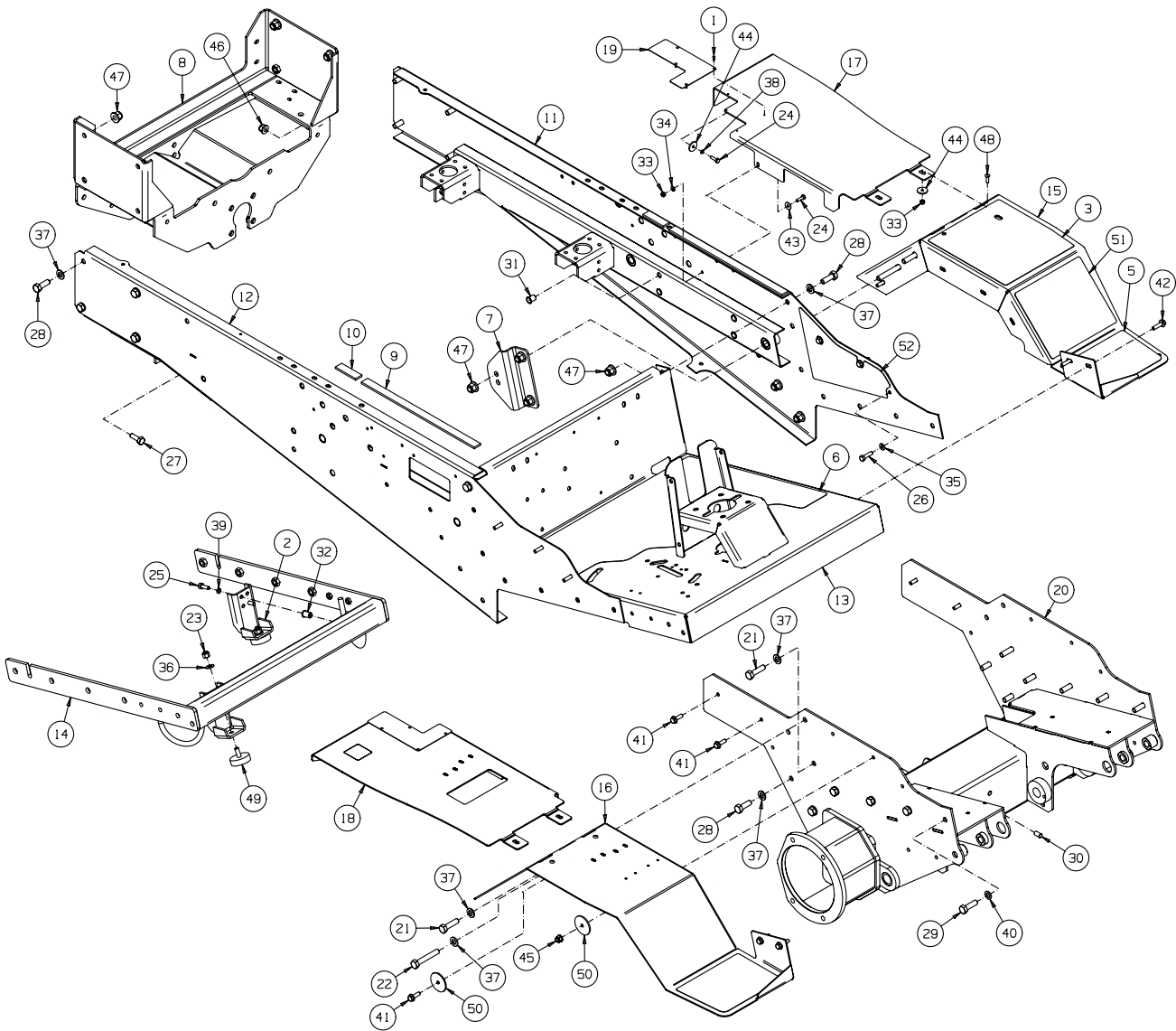
1.1 CHASSIS

ITEM	PART NO.	DESCRIPTION	QTY	
1	001496150	Rivet-Pop 3.2 x 10	8	
2	4160922	Bump Stop-Front	2	
3	4168463	Anti-Slip-Mudguard Top LH	1	
4	4168464	Anti-Slip-Mudguard Front RH	1	
5	4168465	Anti-Slip-Mudguard Front LH	1	
6	4213520	Anti-Slip-Platform	1	
7	4192920	Bracket-Chassis	2	
8	4200180	Wldmt-Rear Frame	1	
9	4221862	Rubber Strip, Front	2	
10	4221863	Rubber Strip, Back	2	
11	4230460	Wldmt-Frame Rail LH	1	
12	4230462	Wldmt-Frame Rail RH	1	
13	4230466	Wldmt-Platform	1	
14	4230469	Wldmt-Platform Support	1	
15	4230471	Mudguard LH	1	
16	4230472	Mudguard RH	1	
17	4230473	LH Side Platform	1	
18	4230474	RH Side Platform	1	
19	4230475	Cover Plate-Cab	2	
20	4230484	Wldmt-Front Axle	1	
21	450049	Bolt-Hex M12 x 45	4	
22	450055	Bolt-Hex M12 x 75	2	
23	450120267	Nut-Hex 3/8-16 Nyloc	2	
24	450171	Screw-Hex M6 x 20	4	
25	450192	Screw-Hex M8 x 25	4	
26	450193	Screw-Hex M8 x 30	6	
27	450215	Screw-Hex M10 x 30	2	
28	450242	Screw-Hex M12 x 35	10	
*	4285291	Replaces 4 x 450242	4	Adresses Hose Chaffing issue
29	450243	Screw-Hex M12 x 40	8	
30	450358	M6 Nutsert	4	
31	450369	M8 Nutsert	8	
32	450370	M8 Nutsert	4	
33	450377	Nut-Hex M6 Nyloc	6	
34	450389	Wshr-M6 x 12.5 x 1.8	2	
35	450390	Wshr-M8 x 17 x 1.8	6	
36	450391	Wshr-M10 x 21 x 2.2	2	
37	450392	Wshr-M12 x 24 x 2.7	8	
38	450410	Lockwasher-M6 x 9.6 x 1.5	2	
39	450411	Lockwshr-M8 x 12.75 x 2	4	
40	450424	Lockwasher-M12 x 21 x 2.65	10	
41	450472	Screw-Hex M8 x 25 Verbus Ripp	6	
42	450473	Screw-Hex M8 x 30 Verbus Ripp	4	

* Not illustrated

1.1 CHASSIS

Illustration Number: 4230420-5



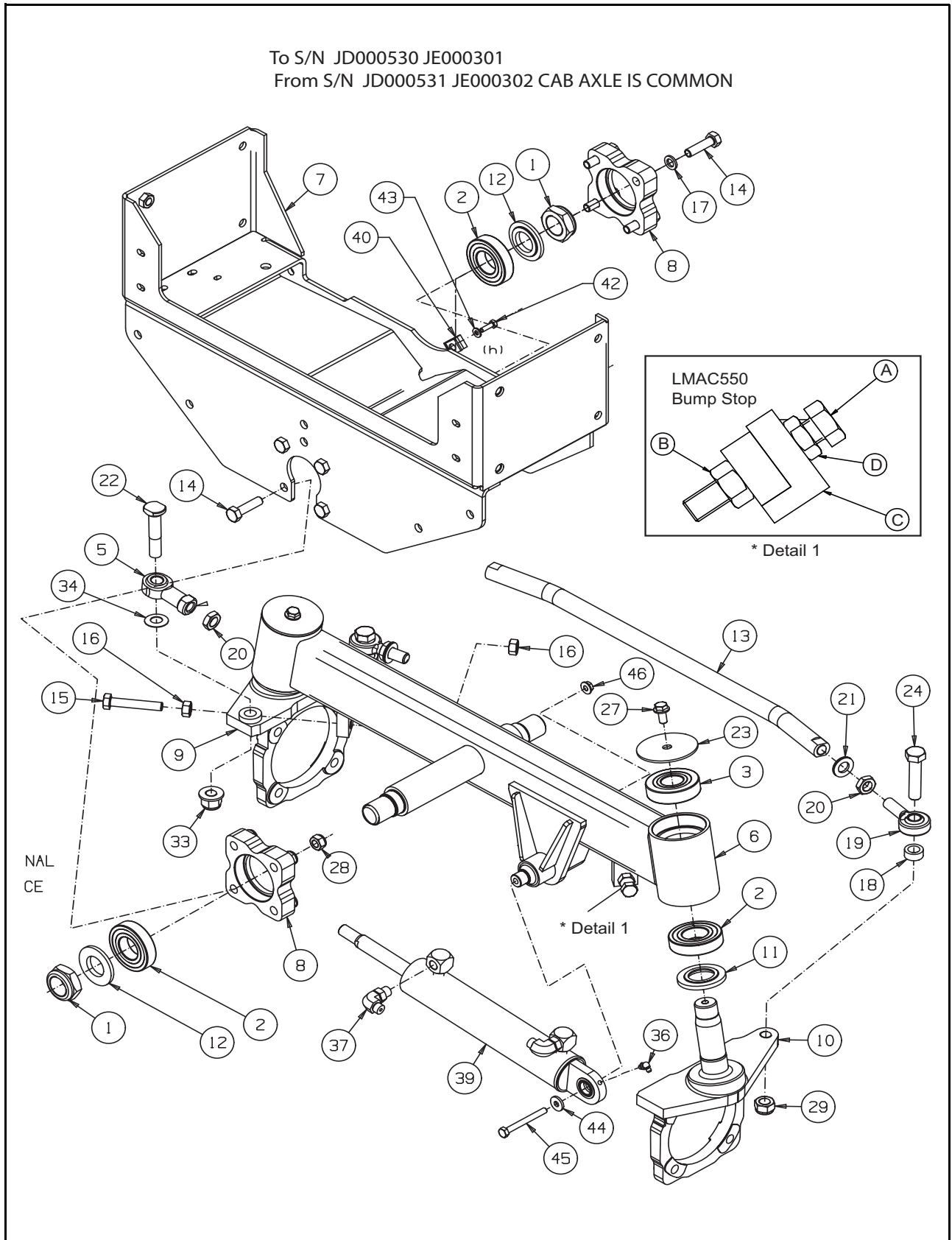
1.1 CHASSIS

ITEM	PART NO.	DESCRIPTION	QTY	
43	452000237	Wshr-1/4 x 3/4 x .064	2	
44	452101667	Wshr-1/4 x 1 x .104	6	
45	452436	Nut-Hex M8 Fing Nyloc	6	
46	452437	Nut-Nyloc M10 Fing	2	
47	452438	Nut-Hex M12 Fing Nyloc	8	
48	452542	Bolt-Crg M6 x 20	4	
49	J361723	Bumper Stop	2	
50	MBC1697	Wshr-8.33 x 50.8 x 3	8	
51	4268421	Anti-Slip, Mudguard Slope	1	From S/N JD000360 & JE000301
52	4268752	Anti-Slip, Platform LH	1	From S/N JD000360 & JE000301
53	4268753	Anti-Slip, Platform RH	1	From S/N JD000360 & JE000301
58*	4273470	Anti Vibration Washer 13 x 19.5 x 2.4	4	

* Not illustrated

1.2a 4WD REAR AXLE AND STEERING (FOR MACHINES FITTED WITH ROPS)

Illustration 4192991-3.eps



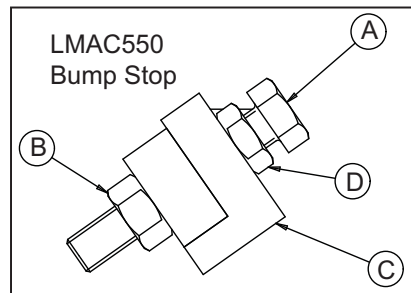
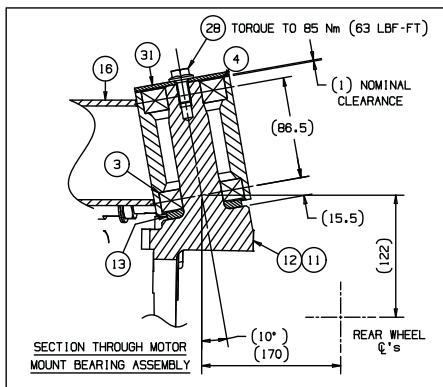
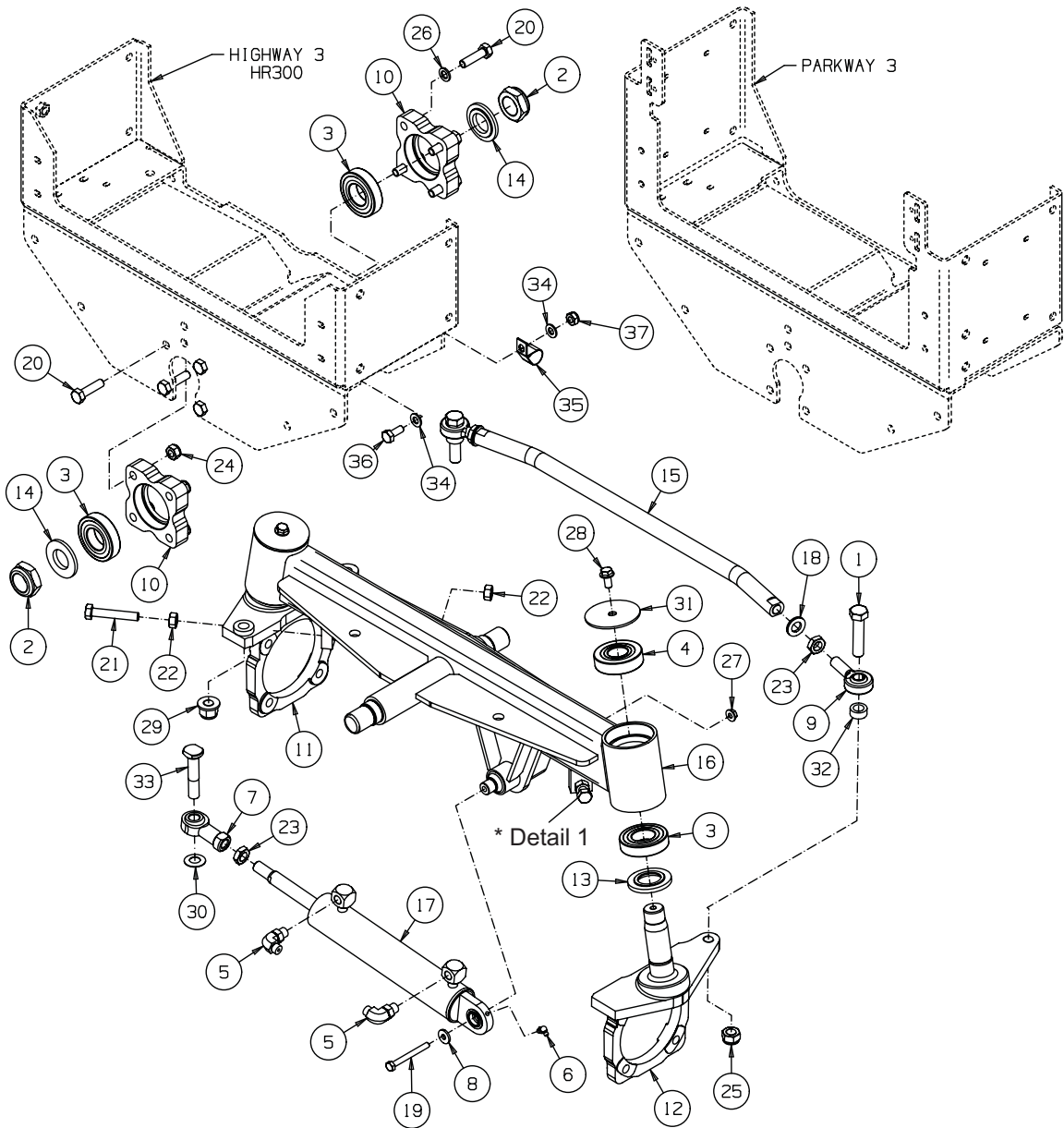
1.2a 4WD REAR AXLE AND STEERING (FOR MACHINES FITTED WITH ROPS)

ITEM	PART NO.	DESCRIPTION	QTY	
*	4192991	REAR AXLE with ROPS	1	To S/N JD000530 JE000301
*	4230447	REAR AXLE with CAB or ROPS	1	From S/N JD000531 JE000302 See Cab Axle
1	001393820	NUT-HEX 1-1/4-12 NYLOC	2	
2	002036070	BRG-BALL 35 x 72 x 17 (6207-2RS)	4	
3	002037061	BRG-BALL 30 x 72 x 19 (6306-2RS)	2	
5	4307076	ROD END	1	
6	4196520	WLDMT-REAR AXLE	1	
7	4200180	WLDMT-REAR FRAME	1	
8	4200182	BEARING HOUSING-REAR AXLE	2	
9	4200320	MOTOR MOUNT LH	1	
10	4200321	MOTOR MOUNT RH	1	
11	4200322	WASHER-KING PIN	2	
12	4200323	WASHER-AXLE PIVOT	2	
13	4200324	TRACK ROD	1	
14	450049	BOLT-HEX M12-1.75 x 45, Gr 8.8	8	
15	450249	Screw-HEX M12-1.75 x 70, Gr 8.8	2	
16	450326	NUT-HEX M12-1.75, Gr 8	4	
17	450424	LOCKWSHR-M12 x 21 x 2.65	4	
18	MBF1270A	SPACER-T/ROD END	2	
19	4307075	ROD END	2	
20	450334	NUT-HEX M16-2.0, Gr 8, THIN	3	
21	4244645	AV WSHR-17 x 30.7 x 3.4	2	
22	MBF1544A	BOLT-MOTOR MOUNT	1	
23	MBA2397A	WSHR-11 x 82 x 3	2	
24	001009740	BOLT-HEX M16-2 x 70, Gr 10.9	2	
27	450477	Screw-HEX M10-1.5 x 20	2	
28	450380	NUT-HEX M12-1.75, Gr 8, NYLOC	4	
29	450382	NUT-HEX M16-2.0, Gr 8, NYLOC	2	
33	452439	NUT-HEX M16 FLNG NYLOC	1	
34	461901564	SPRG-DISC 16 x 31.8 x 1.02	1	
36	002993160	LUBRICATOR-M6 x 90\$S	1	
37	002525010	90-M/M 9/16 ORS x 9/16 SAE	2	
38	4213860	K-NATE GREASE	1	
39	4244292	D/A HYD CYL, 20 x 203	1	
40	469016509	P-CLIP	2	
41	450358	M6-1.0 (A-K) NUTSERT (4.2-6.6 G/L)	2	
42	450171	Screw-HEX M6-1.0 x 20, Gr 8.8	2	
43	450399	WSHR-M6 x 14 x 1.8	2	
44	452101510	WSHR-M8 x 22 x 3	1	
45	450023	BOLT-HEX M8-1.25 x 75, Gr 8.8	1	
46	450453	NUT-HEX M8-1.25, Gr 10, VERBUS RIPP	1	
-	-	To S/N JD000463 JE000300	-	
*	001399032	Nut-Hex 1/2-20 Nyloc	1	
*	2203049	Bushing-Steering Ram	1	
*	450392	Washer-M12 x 24 x 2.7	2	
*	451030683	Bolt-Hex 1/2-20 x 3	1	
*	461901679	Sprg-Disc 13 x 28 x 1	4	
*	008015010	Steering Cylinder	1	
*	002300820	• Seal Kit	1	
*	450391	Washer- M10 X 21 X 2.2	4	
*	469016509	Clip	4	
*	450214	Screw-hex M10 X 25	2	
*	450379	Nut-hex M10 Nyloc	2	
A	See 15		1	From S/N JD000575 JE000303
B	See 16		1	JD100306 JE100301
C	4306495	L - Stop Block	1	
D	450333	Nut Hex M12 x 1.75	1	

* Not illustrated

1.2b 4WD REAR AXLE AND STEERING (FOR MACHINES FITTED WITH CAB)

Illustration Number: 4230447-2_Common_Rear_Axle.eps



* Detail 1

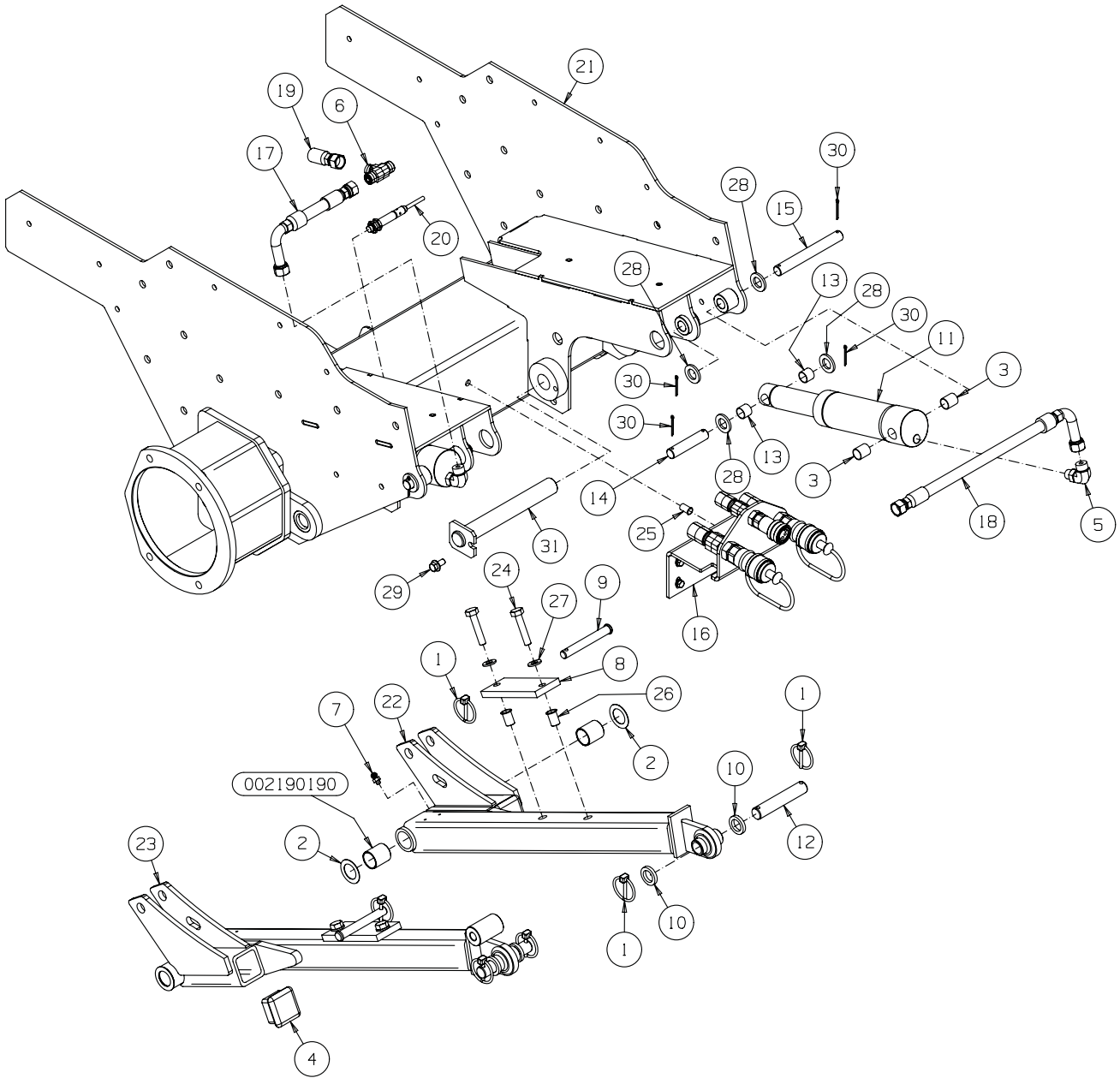
1.2b 4WD REAR AXLE AND STEERING (FOR MACHINES FITTED WITH CAB)

ITEM	PART NO.	DESCRIPTION	QTY	
1	001009740	Bolt Hex M16-2 X 70	2	
2	001393820	Nut Hex 1-1/4-12 Nyloc	2	
3	002036070	Brg-ball 35 X 72 X 17 (6207-2rs)	4	
4	002037061	Brg-ball 30 X 72 X 19 (6306-2rs)	2	
5	002525010	90 M/m 9/16 Ors X 9/16 Sae	2	
6	002993160	Lubricator M6 X 90\$s	1	
7	4307076	Rod End	1	
8	452101510	Washer M8 X 22 X 3	1	
9	4307075	Rod End	2	
10	4200182	Bearing Housing-rear Axle	2	
11	4200320	Motor Mount LH	1	
12	4200321	Motor Mount RH	1	
13	4200322	Washer-king Pin	2	
14	4200323	Washer-axle Pivot	2	
15	4200324	Track Rod	1	
16	4230497	Wldmt-rear Axle	1	
17	4244292	D/a Hyd Cyl, 20 X 203	1	
18	4244645	Av Washer-17 X 30.7 X 3.4	2	
19	450023	Bolt Hex M8-1.25 X 75	1	
20	450049	Bolt Hex M12-1.75 X 45	8	
21	450249	Screw Hex M12-1.75 X 70	2	
22	450326	Nut Hex M12-1.75	4	
23	450334	Nut Hex M16-2.0	3	
24	450380	Nut Hex M12-1.75	4	
25	450382	Nut Hex M16-2.0	2	
26	450424	LockWasher M12 X 21 X 2.65	4	
27	450453	Nut Hex M8-1.25 Verbus Ripp	1	
28	450477	Screw Hex M10-1.5 X 20, Verbus Ripp	2	
29	452439	Nut Hex M16 Fing Nyloc	1	
30	461901564	Sprg-disc 16 X 31.8 X 1.02	1	
31	MBA2397a	Washer-11 X 82 X 3	2	
32	MBF1270a	Spacer-t/rod End	2	
33	MBF1544a	Bolt Motor Mount	1	
34	450391	Washer M10 X 21 X 2.2	4	
35	469016509	P-clip	2	
36	450214	Screw Hex M10-1.5 X 25	2	
37	450379	Nut Hex M10-1.5 Nyloc	2	
A	See 21		1	From S/N JD000575 JE000303
B	See 22		1	JD100306 JE100301
C	4306495	L - Stop Block	1	
D	450333	Nut Hex M12 x 1.75	1	

* Not illustrated

1.3 DECK MOUNTING

Illustration Number: 4230426-2



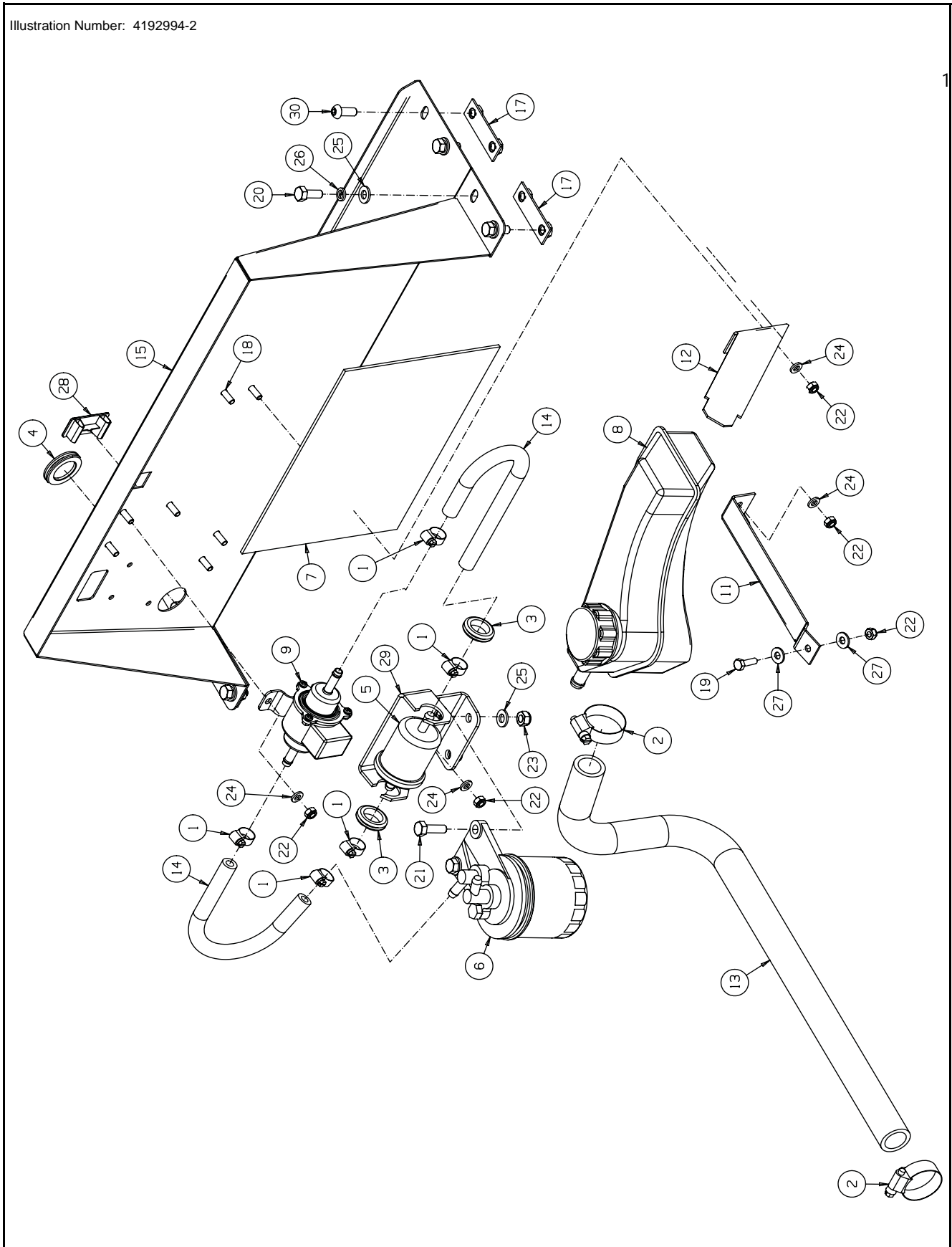
1.3 DECK MOUNTING

ITEM	PART NO.	DESCRIPTION	QTY	
1	001490740	Quick Pin	6	
2	001593072	Wshr-Thrust 1 x 1.562 x .030/.032	4	
3	002143428	Bush-DX 16 x 18 x 20	4	
4	002952633	End Cap-50 x 50 x 5	2	
5	158007-01	90-M/M 11/16 ORS x 9/16 SAE	2	
*	158061-01	• O Ring (For 11/16 UNF)	2	
*	002218065	• O Ring (For 9/16 UNF)	1	
6	158011-01	Tee-M/M/M 11/16 ORS	1	
*	158061-01	• O Ring (For 11/16 UNF)	3	
7	35027N	Lubricator, 1/4-28 x 90 deg	2	
8	4151277	Bumper-Lift Arm	2	
9	4151817	Pin-Clevis, 1/2 x 3-3/4	2	
10	4151937	Spacer-20 x 30 x 5	4	
11	4301135	S/A Hyd Cyl, 35 x 84.15	2	Replaces 4244290 From S/N
*	4291655	Seal Kit	A/R	JD000534 JE000302 JD100317 JE100301
12	4157243	Pin-Deck Mtg, 3/4 x 4	2	
13	4163641	Bush-Dx 16 x 18 x 15	4	
14	4163642	Pin-Lift Cylinder	2	
15	4163643	Pin-Lift Cylinder	2	
16	4230451	Group-Qrc Bulkhead	1	This item is not a service part
17*	4164021	Hose Assy	1	RH Lift Ram To Lift Tee
18*	4164022	Hose Assy	1	LH Lift Ram To Lift Ram Tee
19*	4173281	Hose Assy	1	Lift Valve L To Lift Ram Tee
20	4197063	Inductive Sensor	1	
21	4230484	Wldmt-Front Axle	1	
22	4230493	Wldmt-Lift Arm LH	1	
23	4230494	Wldmt-Lift Arm RH	1	
24	450219	Scrw-Hex M10-1.5 x 50, Gr 8.8	4	
25	450358	M6-1.0 (A-K) Nutsert (4.2-6.6 G/L)	4	
26	450372	M10-1.5 (A-L) Nutsert (3.8-7.9 G/L)	4	
27	450391	Wshr-M10 x 21 x 2.2	4	
28	450393	Wshr-M16 x 30 x 3.3	8	
29	452701	Scrw-Hex M8-1.25 x 16, Taptite	2	
30	454000297	Split Pin-1/8 x 1-1/4	8	
31	MBF1929	Wldmt-Push Arm Pin	2	
32*	4163588	Hose Assy	1	Cutter Valve M2 to Frt Blkhd "Return"
33*	4163589	Hose Assy	1	QRC Bulkhead to Drain Manifold
34*	4241102	Hose Assy	1	Cutter Valve M1 to Frt Blkhd "Pressure"

* Not illustrated

1.4 BULKHEAD

Illustration Number: 4192994-2



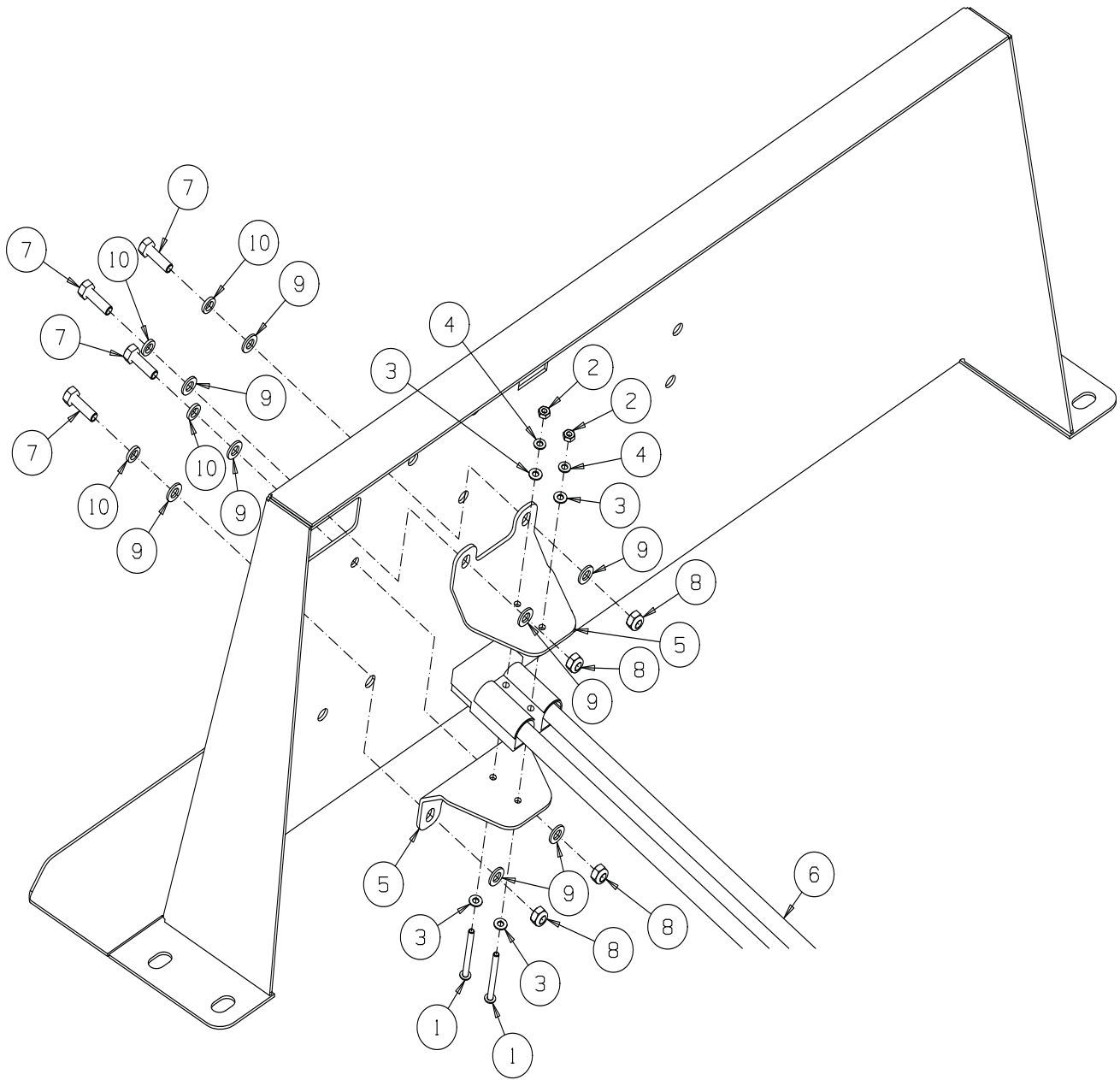
1.4 BULKHEAD

ITEM	PART NO.	DESCRIPTION	QTY.	
1	001925160	Hose Clamp, 6-16	5	
2	001925400	Hose Clamp, 19-40	2	
3	002953223	Grommet-20 x 31 x 7.5	2	
4	002953320	Grommet	1	
5	5001182	In-line Fuel Filter	1	
6	5001189	Fuel Filter	1	
7	4117825	Heat Insulation	1	
8	4123826	Expansion Tank and Cap	1	
*	4123828	Tank Cap	1	
9	4126806	Electric Fuel Pump	1	
11	4156420	Bracket-Water Bottle LH	1	
12	4156421	Bracket-Water Bottle RH	1	
13	4157740	Hose-Expansion Tank	1	
14	4194220	Hose-Filter to Fuel Pump	2	
15	4194560	Wldmt-Bulkhead	1	
16	4194223	Hose-Engine to Fuel Filter	1	
17	4118558	Wldmt-Keep Plate	4	
18	450170	Screw-Hex M6 x 16	7	
19	450171	Screw-Hex M6 x 20	1	
20	450191	Screw-Hex M8 x 20	6	
21	450192	Screw-Hex M8 x 25	2	
22	450377	Nut-Hex M6 Nyloc	8	
23	450378	Nut-Hex M8 Nyloc	2	
24	450389	Wshr-M6 x 12.5 x 1.8	7	
25	450390	Wshr-M8 x 17 x 1.8	8	
26	450411	Lockwshr-M8 x 12.75 x 2.1	6	
27	452100019	Wshr-1/4 x 5/8 x .064	2	
28	4135853	VSHP Mounting Panel Plug	1	
29	4222660	Bracket-Fuel Filter	1	
30	4142288	Screw-Pan Hd M8 x 20 Torx	2	

* Not illustrated

1.4a JUMP START CONNECTOR

Illustration Number: 4192994-2



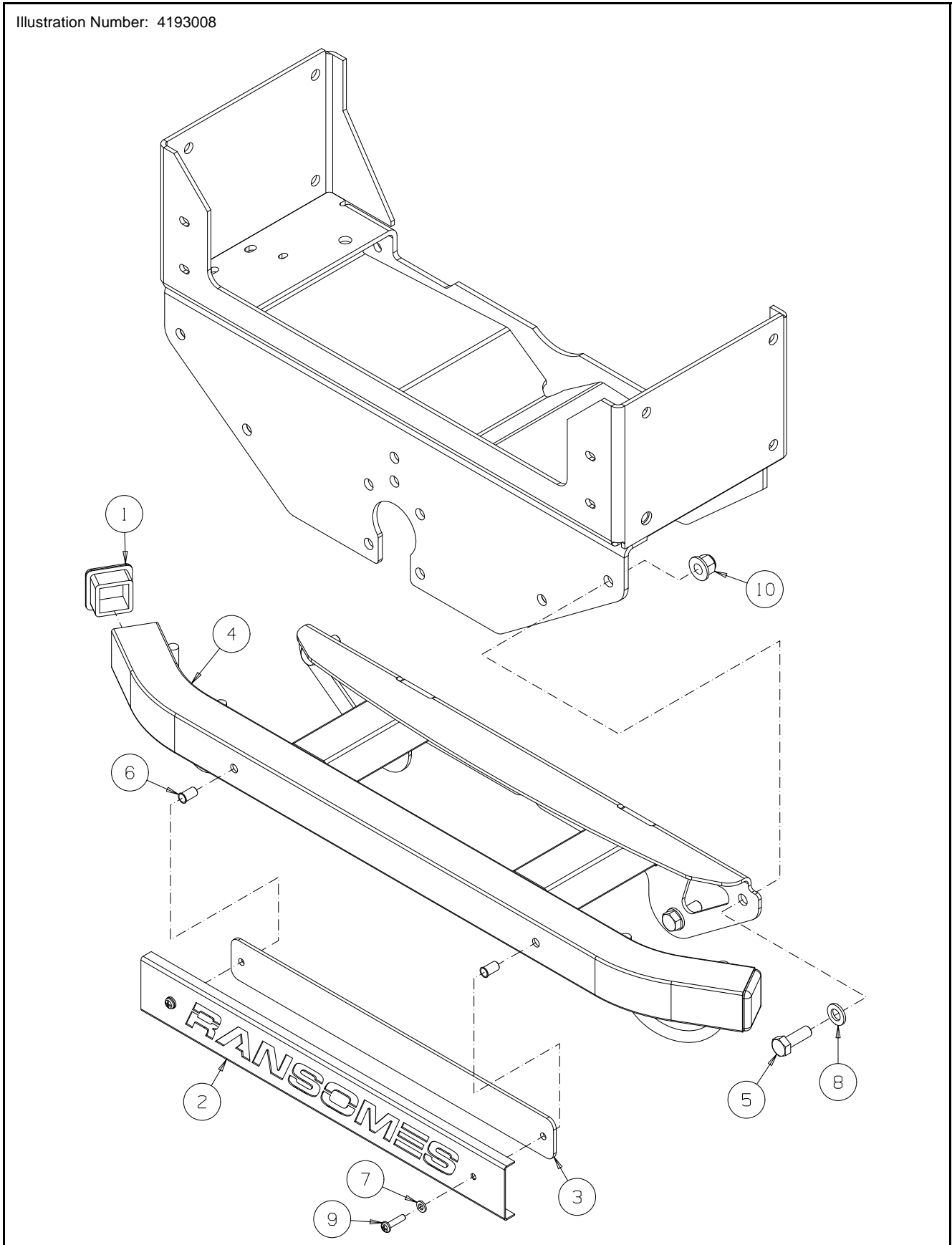
1.4a JUMP START CONNECTOR

ITEM	PART NO.	DESCRIPTION	QTY.	
1	001814310	Screw-Pan Hd M3 x 30	2	
2	001820037	Nut-Hex M3, Brass	2	
3	001830030	Wshr-M3 x 7 x 0.6, Brass	4	
4	001863037	Wshr-M3 x 6.4 x 0.61 Crinkle	2	
5	4222860	Bracket-Battery Jump Lead	2	
6	4223900	Cable-Jump Start	1	
7	450151	Screw-Hex M5 x 16	4	
8	450376	Nut-Hex M5 Nyloc	4	
9	450388	Wshr-M5 x 10 x 1.1	8	
10	450409	Wshr-Slw M5	4	

* Not illustrated

1.5 BUMPER NAMEPLATE

Illustration Number: 4193008



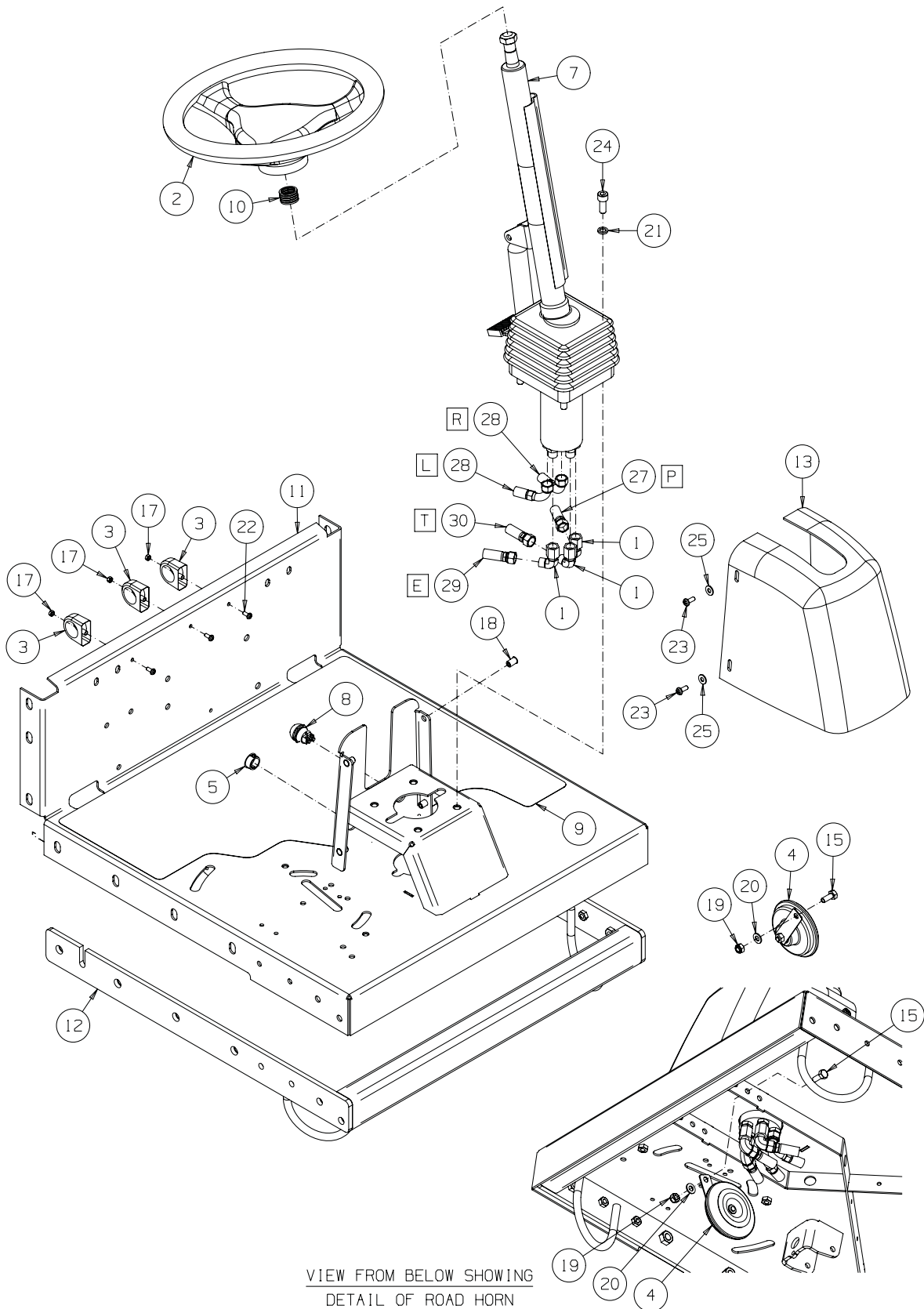
1.5 BUMPER NAMEPLATE

ITEM	PART NO.	DESCRIPTION	QTY.	
1	4282211	End Cap-50 x 50 x 3	2	
2	4161940	Nameplate-Bumper	1	RANSOMES
2	4161941	Nameplate-Bumper	1	JACOBSEN
3	4219940	Backplate-Plastic, Bumper	1	White
4	4213060	Wldmt-Bumper	1	
5	450242	Screw-Hex M12 x 35	4	
6	450358	M6 Nutsert	2	
7	450389	Wshr-M6 x 12.5 x 1.8	2	
8	450392	Wshr-M12 x 24 x 2.7	4	
9	450543	Screw-Pan Hd M6 x 25	2	
10	452438	Nut-Hex M12 Fling Nyloc	4	

* Not illustrated

1.6 PLATFORM

Illustration Number: 4230421-4



VIEW FROM BELOW SHOWING
DETAIL OF ROAD HORN

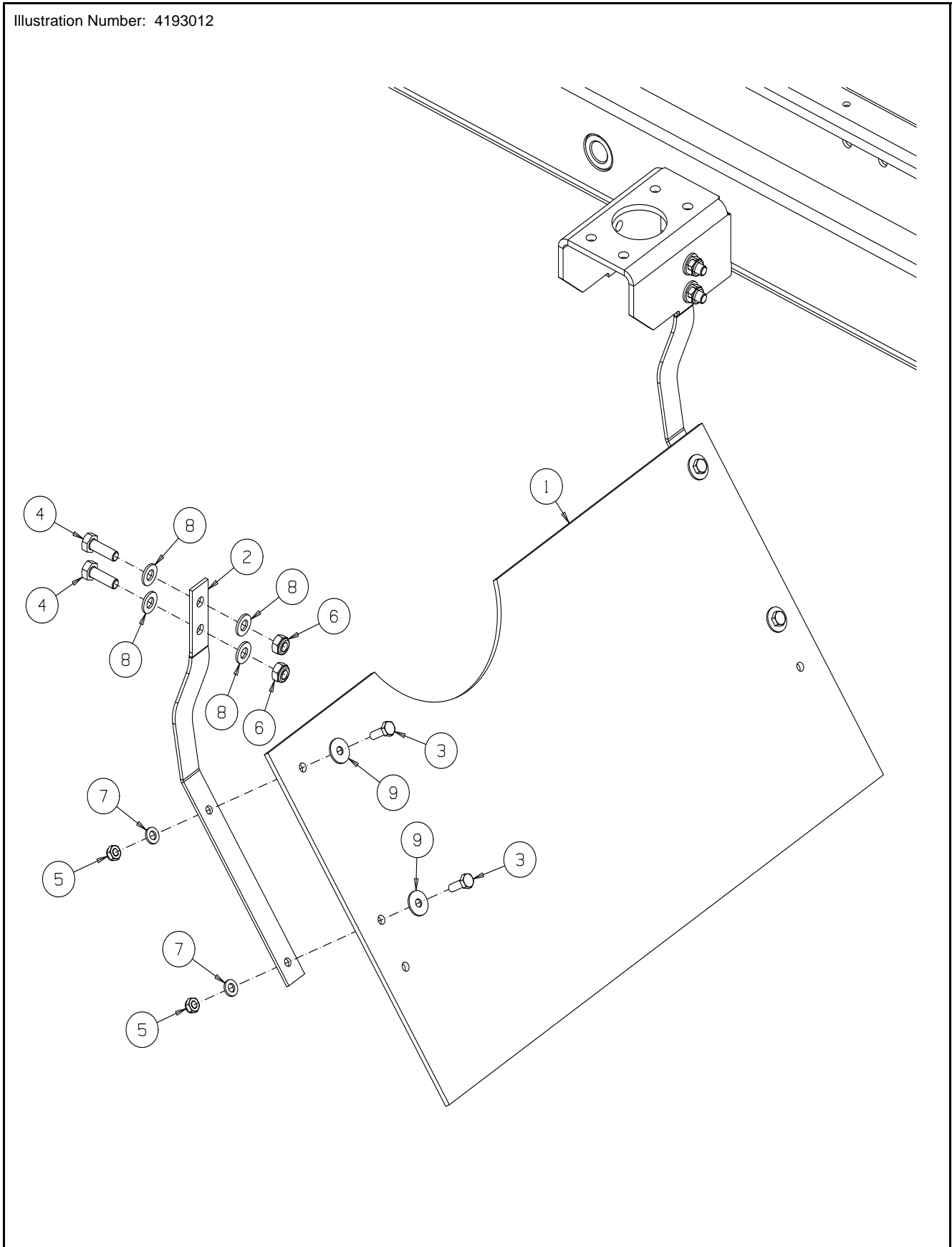
1.6 PLATFORM

ITEM	PART NO.	DESCRIPTION	QTY	
1	002590450	90-M/F 9/16 ORFS	2	
*	158061-18	• O-Ring	1	9/16" ORFS
2	2811364	Steering Wheel	1	
3	4205252	Conduit Clamp	3	
4	4175076	Road Horn-Protected	1	
5	4179501	Dome Plug	1	
7	4208720	Steering Unit & Column	1	
7*	4152758	• Steering Unit	1	
7*	4198282	• Steering Column	1	
7*	4270219	•• Universal Joint Service Kit	1	
7*	4278451	•• Gas Spring Pivot Service Kit	1	
8	4212124	Horn Switch	1	
9	4213520	Anti-Slip-Platform	1	
10	4221160	Sleeve-Steering Column	1	
11	4230466	Wldmt-Platform	1	
12	4230469	Wldmt-Platform Support	1	
13	4230496.2	Cover-Steering Tower	1	Colour = Ransomes Green
13	4230496.6	Cover-Steering Tower	1	Colour = Jacobsen Orange
15	450191	Screw-Hex M8 x 20	1	
17	450322	Nut-Hex M5	3	
18	450357	M6 Nutsert	4	
19	450378	Nut-Hex M8 Nyloc	1	
20	450390	Wshr-M8 x 17 x 1.8	1	
21	450412	Lockwasher-M10 x 15.9 x 2.5	4	
22	450526	Screw-Pan Hd M5 x 12	3	
23	450541	Screw-Pan Hd M6 x 16	4	
24	450738	CapScrew-Sckt M10 x 25	4	
25	452100019	Wshr-1/4 x 5/8 x .064	4	
27	4281351	Hose Assy	1	Steering Pump to Steering Valve P from s/n JD000406 JE000301 JD100308 JE100301
27	4224289	Hose Assy	1	Steering Pump to Steering Valve P to s/n JD000405 JE000300 JD100307 JE100300
28	4224292	Hose Assy	2	Steering Valve L & R to Engine Mounts
29	4241104	Hose Assy	1	Lift Valve P to Steering Valve E
30	4241105	Hose Assy	1	Lift Valve T to Steering Valve T

* Not illustrated

1.7 DEFLECTOR

Illustration Number: 4193012



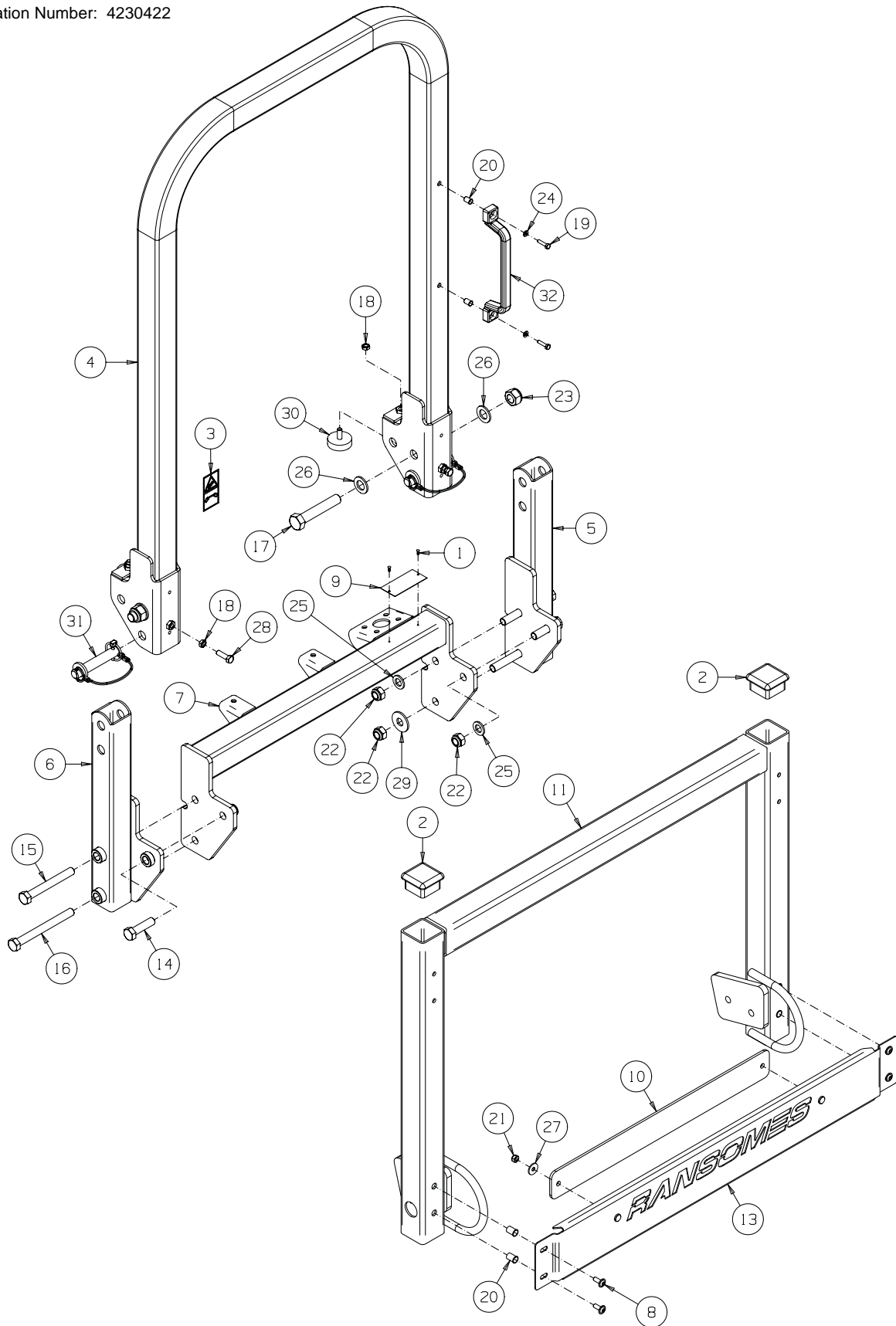
1.7 DEFLECTOR

ITEM	PART NO.	DESCRIPTION	QTY.	
1	4234640	Rubber Deflector	1	
2	4217800	Deflector Bracket	2	
3	450171	Screw-Hex M6 x 20	4	
4	450192	Screw-Hex M8 x 25	4	
5	450377	Nut-Hex M6 Nyloc	4	
6	450378	Nut-Hex M8 Nyloc	4	
7	450389	Wshr-M6 x 12.5 x 1.8	4	
8	450390	Wshr-M8 x 17 x 1.8	8	
9	452000237	Wshr-1/4 x 3/4 x .064	4	

* Not illustrated

1.8a ROPS (ISO 21299) AND HARDPOINT

Illustration Number: 4230422



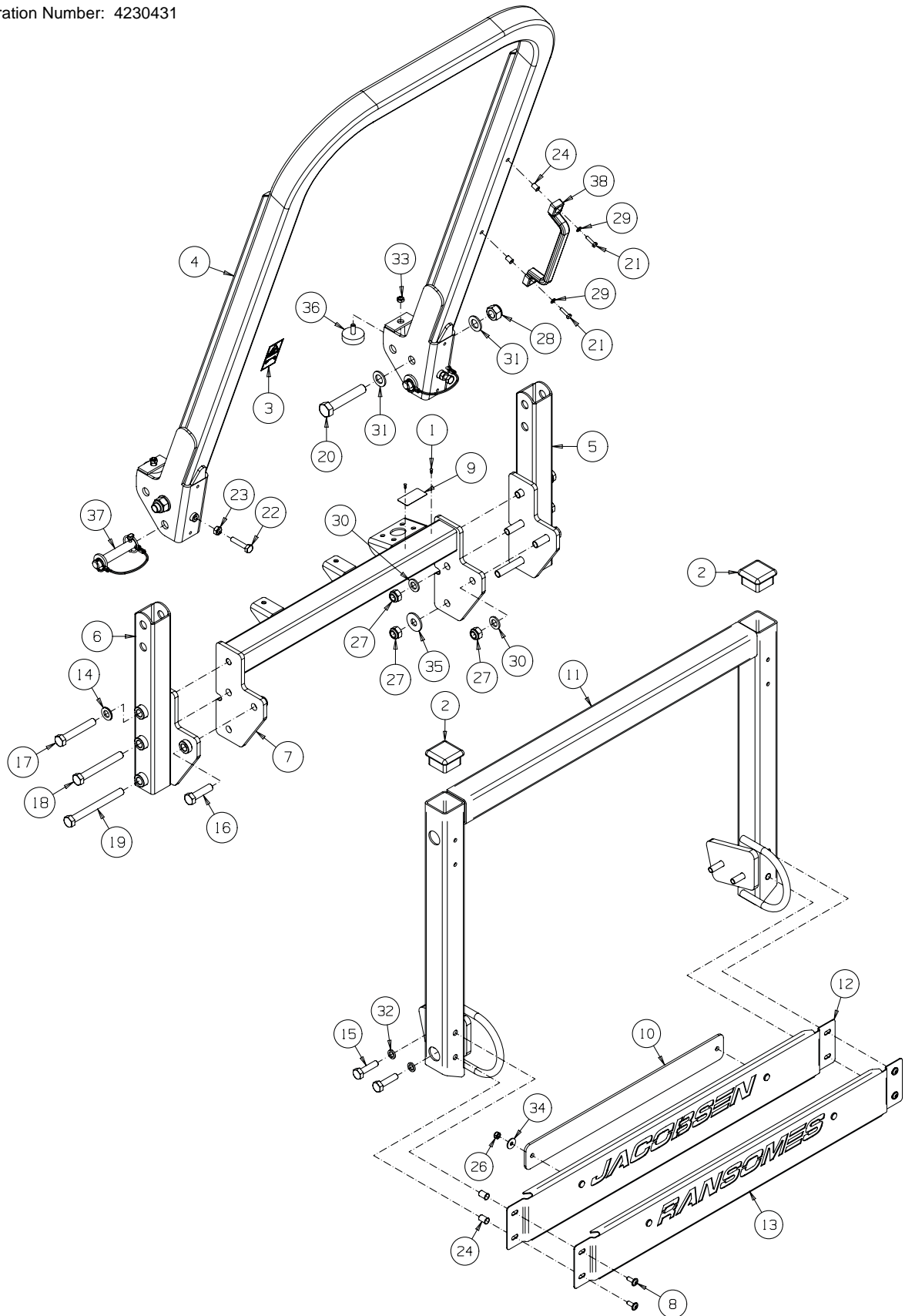
1.8a ROPS (ISO 21299) AND HARDPOINT

ITEM	PART NO.	DESCRIPTION	QTY	
1	001496150	Rivet-Pop 3.2 x 10	2	
2	4282211	End Cap-50 x 50 x 3	2	
3	009114380	Decal: Fasten Seat Belt	1	
4	4201340	Wldmt-Rops Frame	1	
5	4241115	Wldmt-Rops Support LH	1	
6	4241116	Wldmt-Rops Support RH	1	
7	4241113	Wldmt-Rops Stiffener	1	
8	4211480	Screw-M6 x 16 Sckt Button Head	4	
9	4259970	Serial Plate-Rops	1	
10	4219940	Backplate-Plastic, Bumper	1	
11	4230476	Wldmt-Hardpoint	1	
13	4230482	Wldmt-Nameplate, Hard Point	1	RANSOMES Branding
13*	4230481	Wldmt-Nameplate, Hard Point	1	JACOBSEN Branding
14	450071	Bolt-Hex M16 x 60	2	
15	450081	Bolt-Hex M16 x 130	2	
16	450084	Bolt-Hex M16 x 160	2	
17	450099	Bolt-Hex M20 x 110	2	
18	450120186	Nut-Hex 3/8-16	4	
19	450172	Screw-Hex M6 x 25	2	
20	450357	M6 Nutsert	6	
21	450377	Nut-Hex M6 Nyloc	2	
22	450382	Nut-Hex M16 Nyloc	6	
23	450383	Nut-Hex M20 Nyloc	2	
24	450389	Wshr-M6 x 12.5 x 1.8	2	
25	450393	Wshr-M16 x 30 x 3.3	4	
26	450394	Wshr-M20 x 37 x 3.3	4	
27	452000237	Wshr-1/4 x 3/4 x .064	2	
28	456110448	Screw-Hex 3/8-16 x 1-1/4	2	
29	64163-76	Wshr-11/16 x 1-3/4 x 9/64	2	
30	J361723	Bumper Stop	2	
31	MBG5722	Asm-Shear Pin & Ring	2	
32	4259710	250 mm Long Black Handle	1	
33	450078	Bolt-Hex M16-2.0 x 100, Gr 8.8	2	
34	4244645	AV Wshr-17 x 30.7 x 3.4	2	

* Not illustrated

1.8b ROPS (OECD CODE 4) AND HARDPOINT (OPTIONAL)

Illustration Number: 4230431



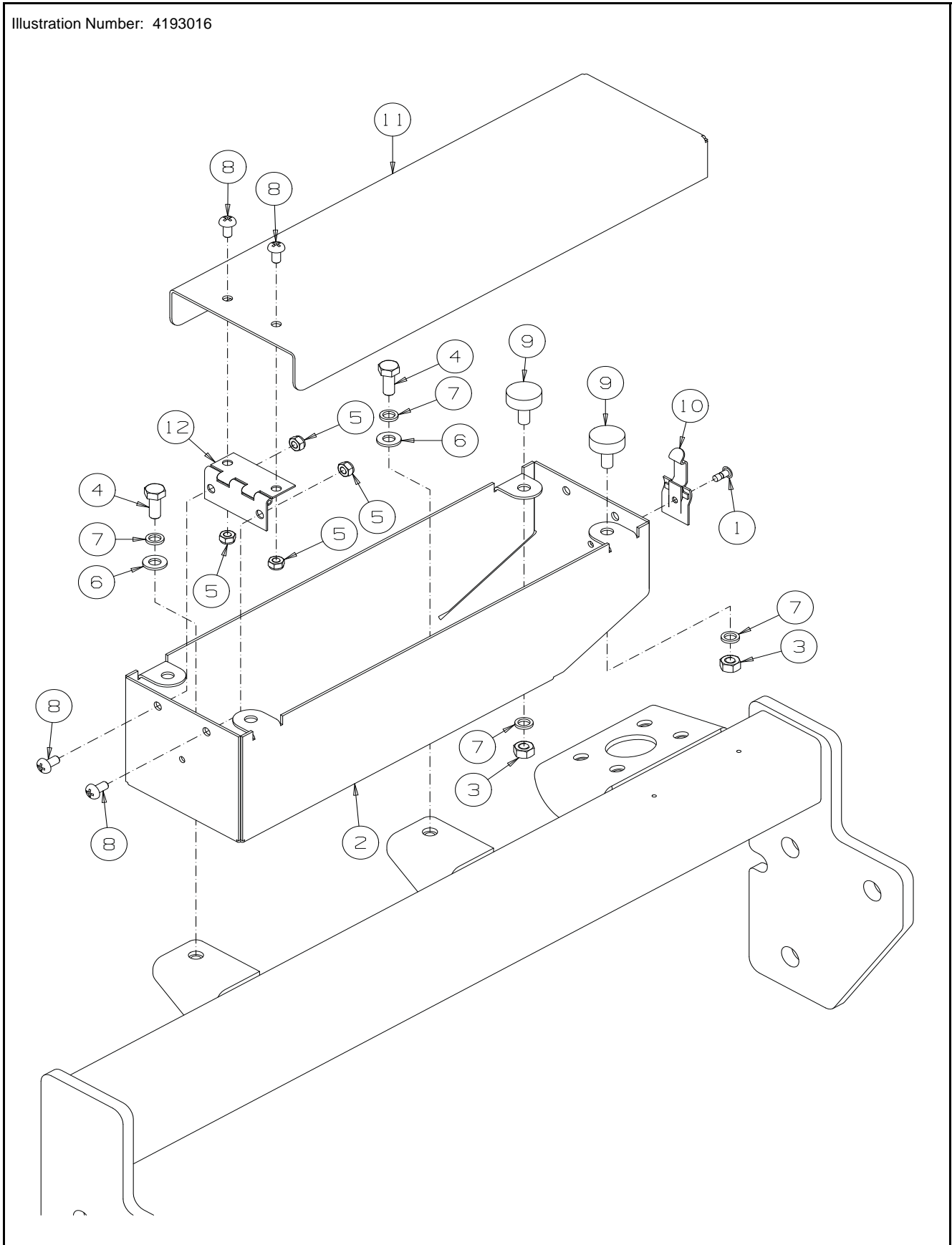
1.8b ROPS (OECD CODE 4) AND HARDPOINT (OPTIONAL)

ITEM	PART NO.	DESCRIPTION	QTY	
1	001496150	Rivet-Pop 3.2 x 10 (S/S)	2	
2	4282211	End Cap-50 x 50 x 3	2	
3	009114380	Decal: Fasten Seat Belt	1	
4	4241126	Wldmt-ROPS Frame	1	
5	4241115	Wldmt-ROPS Support LH	1	
6	4241116	Wldmt-ROPS Support RH	1	
7	4241113	Wldmt-ROPS Stiffener	1	
8	4211480	Screw-M6 x 16 Sckt Button Head	4	
9	4213222	Serial Plate-ROPS	1	
10	4219940	Backplate-Plastic, Bumper	1	White
11	4230476	Wldmt-Hardpoint	1	
12	4230481	Wldmt-Nameplate, Hard Point	1	JACOBSEN Branding
13	4230482	Wldmt-Nameplate, Hard Point	1	RANSOMES Branding
14	4244645	Av Wshr-17 x 30.7 x 3.4	2	
15	450030	Bolt-Hex M10-1.5 x 40, Gr 8.8	4	
16	450071	Bolt-Hex M16-2.0 x 60, Gr 8.8	2	
17	450078	Bolt-Hex M16-2.0 x 100, Gr 8.8	2	
18	450081	Bolt-Hex M16-2.0 x 130, Gr 8.8	2	
19	450084	Bolt-Hex M16-2.0 x 160, Gr 8.8	2	
20	450099	Bolt-Hex M20-2.5 x 110, Gr 8.8	2	
21	450172	Screw-Hex M6-1.0 x 25, Gr 8.8	2	
22	450219	Screw-Hex M10-1.5 x 50, Gr 8.8	2	
23	450325	Nut-Hex M10-1.5, Gr 8	2	
24	450357	M6-1.0 (A-K) Nutsert (0.7-4.2 G/L)	6	
26	450377	Nut-Hex M6-1.0, Gr 8, Nyloc	2	
27	450382	Nut-Hex M16-2.0, Gr 8, Nyloc	6	
28	450383	Nut-Hex M20-2.5, Gr 8, Nyloc	2	
29	450389	Wshr-M6 x 12.5 x 1.8	2	
30	450393	Wshr-M16 x 30 x 3.3	4	
31	450394	Wshr-M20 x 37 x 3.3	4	
32	450412	Lockwshr-M10 x 15.9 x 2.5	4	
33	450120186	Nut-Hex 3/8-16, Gr 1	2	
34	452000237	Wshr-1/4 x 3/4 x .064	2	
35	64163-76	Wshr-11/16 x 1-3/4 x 9/64	2	
36	J361723	Bumper Stop	2	
37	MBG5722	Asm-Shear Pin & Ring	2	
38	4259710	250 mm Long Handle	1	

* Not illustrated

1.9 TOOLBOX

Illustration Number: 4193016

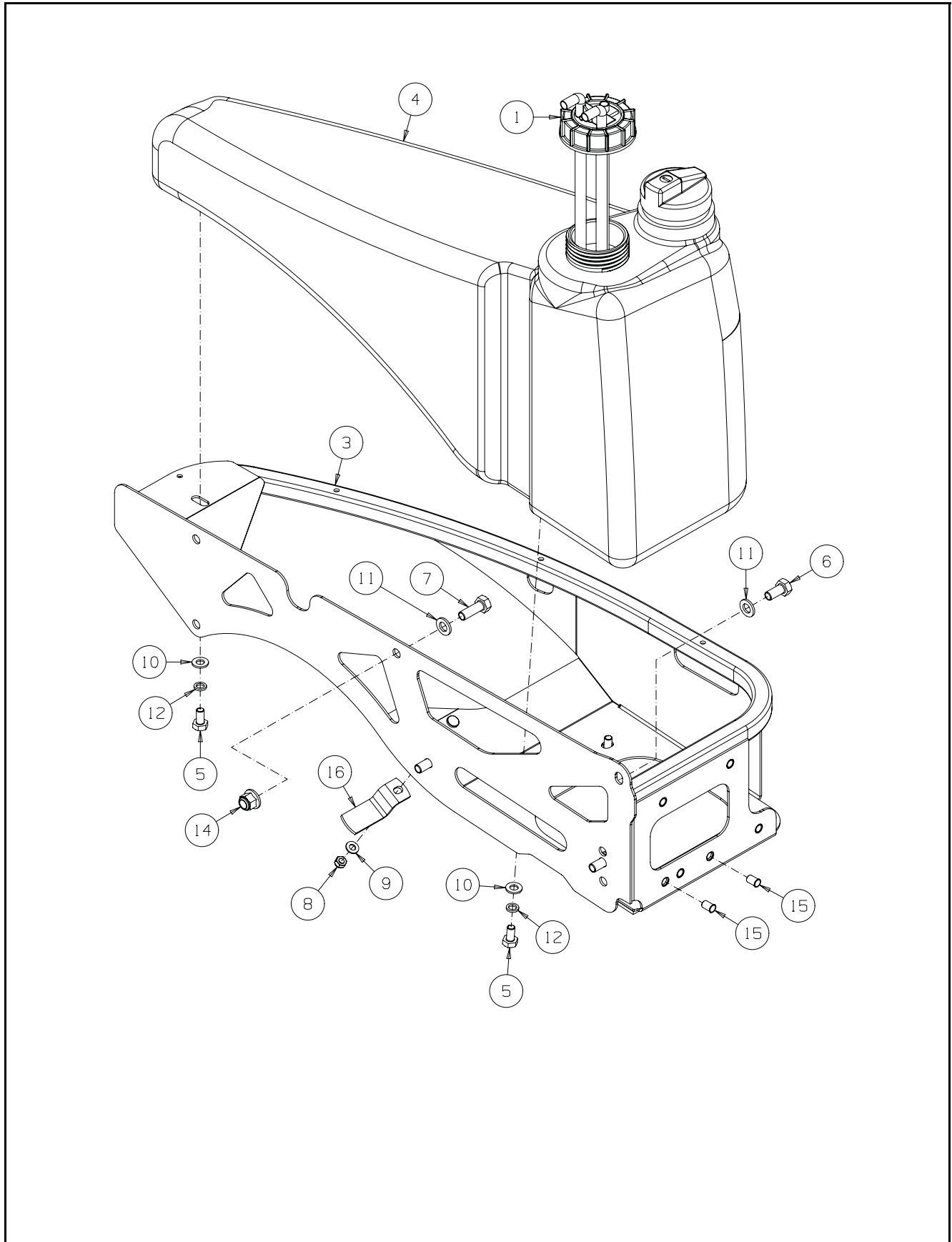


1.9 TOOLBOX

ITEM	PART NO.	DESCRIPTION	QTY.	
1	001496044	Rivet-Pop 4.8 x 12	1	
2	4164620	Toolbox-Base	1	
3	450120021	Nut-Hex 5/16-18	2	
4	450191	Screw-Hex M8 x 20	2	
5	450377	Nut-Hex M6 Nyloc	4	
6	450390	Wshr-M8 x 17 x 1.8	2	
7	450411	Wshr-Slw M8	4	
8	450539	Screw-Pan Hd M6 x 12	4	
9	523224	Bumper-Rubber	2	
10	835039	Fastener-Snap	1	
11	840171.07	Cover-Box	1	
12	840172	Hinge	1	

* Not illustrated

2.2 FUEL TANK AND FRAME



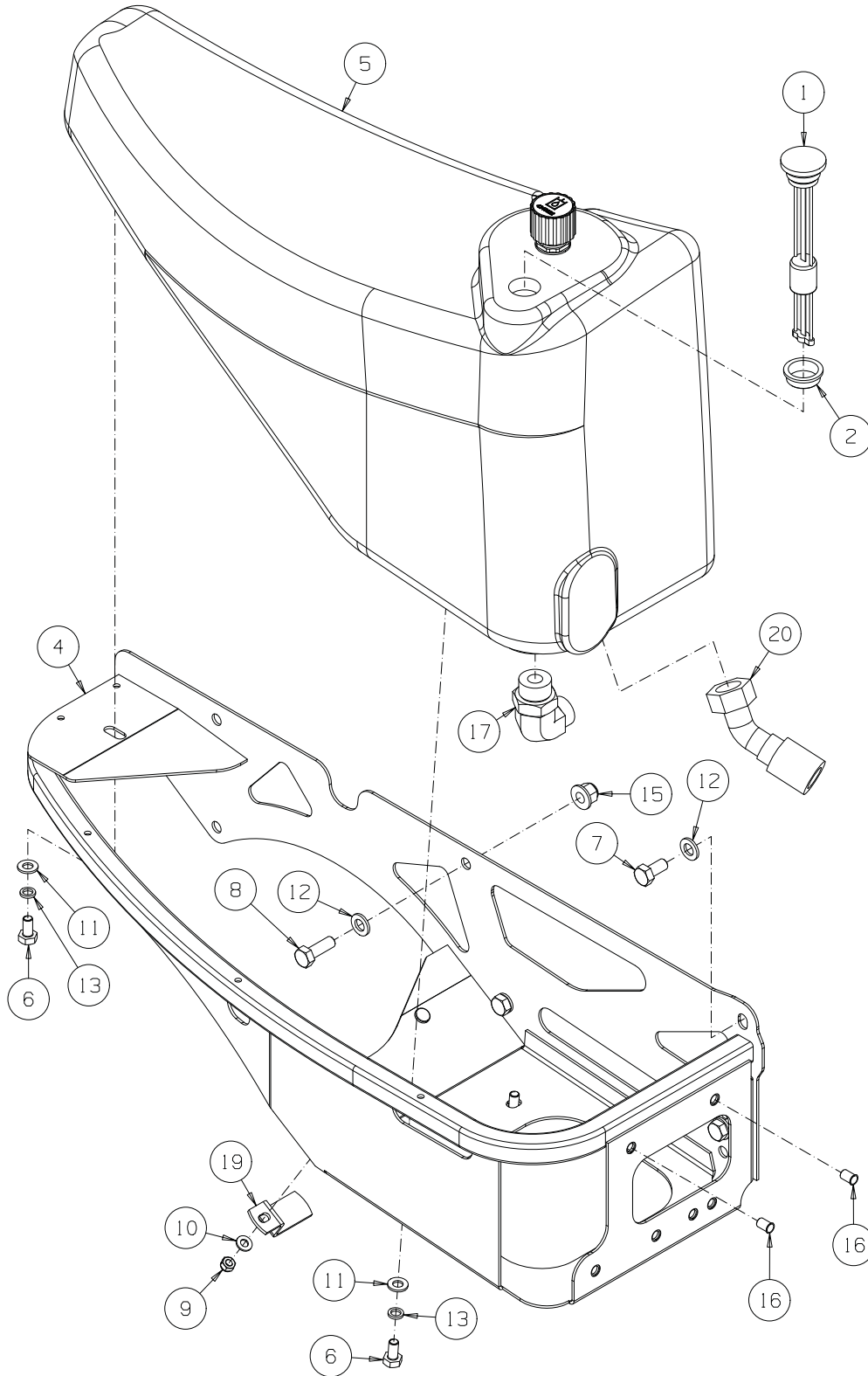
2.2 FUEL TANK AND FRAME

ITEM	PART NO.	DESCRIPTION	QTY.	
1	4152958	Fuel Level Sender & Pick Up	1	Fitted Assembly
2				
3	4252530	Wldmt-Tank Support LH	1	
4	4217840	Tank-Fuel	1	
	4161500	• Cap-Fuel Tank, Lockable	1	
	4211004	• Tank-Fuel	1	
5	450213	Screw-Hex M10-1.5 x 20, Gr 8.8	3	
6	450240	Screw-Hex M12-1.75 x 25, Gr 8.8	3	
7	450242	Screw-Hex M12-1.75 x 35, Gr 8.8	1	
8	450378	Nut-Hex M8-1.25, Gr 8, Nyloc	1	
9	450390	Wshr-M8 x 17 x 1.8	1	
10	450391	Wshr-M10 x 21 x 2.2	3	
11	450392	Wshr-M12 x 24 x 2.7	3	
12	450412	Lockwshr-M10 x 15.9 x 2.5	3	
13	450424	Lockwshr-M12 x 21 x 2.65	1	
14	452438	Nut-Nyloc M12 Flng	1	
15	450357	M6-1.0 (A-K) Nutsert (0.7-4.2 G/L)	6	
16	4242084	Bracket-Hose Support	1	

* Not illustrated

3.2 HYDRAULIC TANK AND FRAME

Illustration Number: 4230444



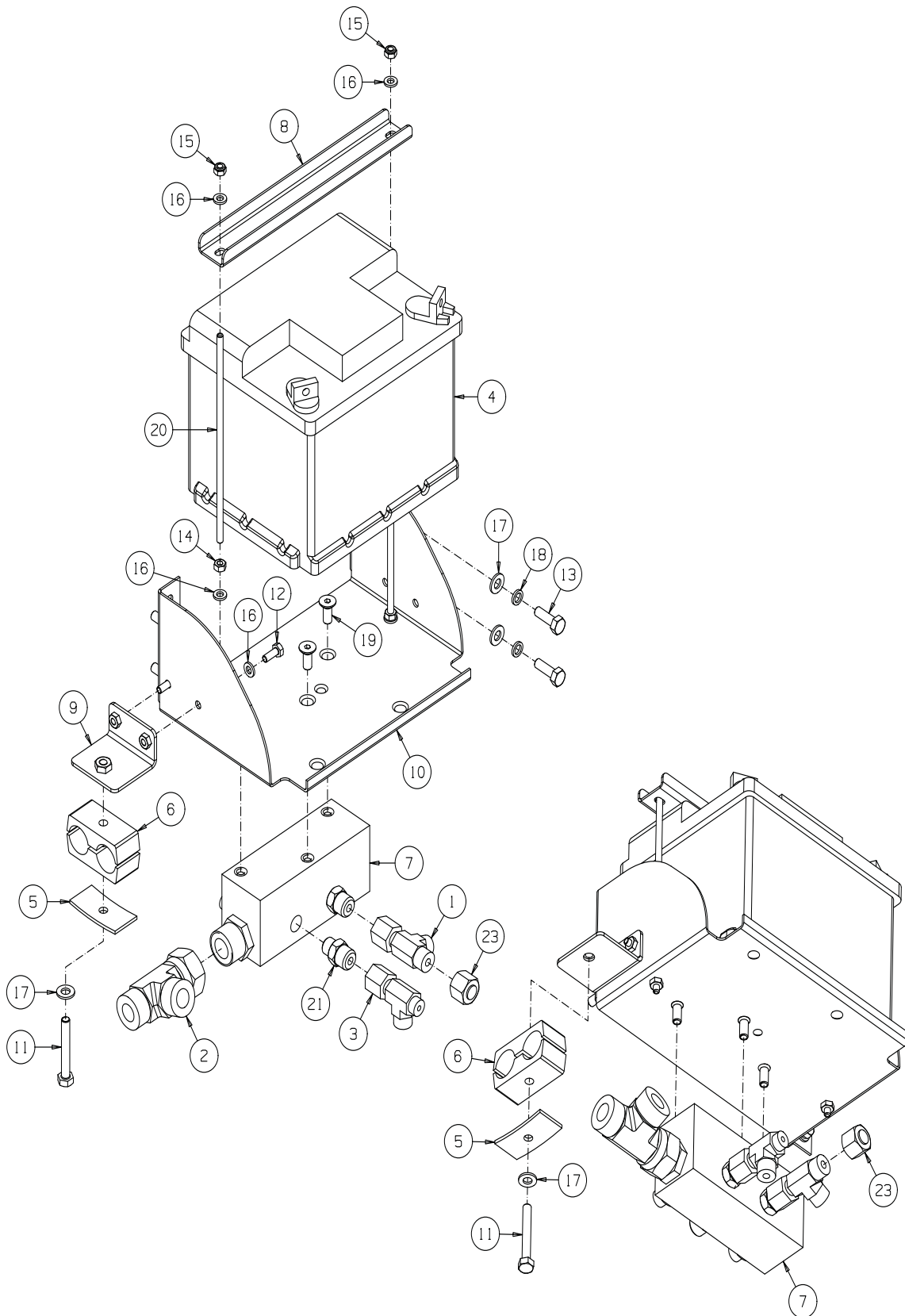
3.2 HYDRAULIC TANK AND FRAME

ITEM	PART NO.	DESCRIPTION	QTY.	
1	009151460	Gauge-Oil Level	1	Fitted Assembly
2	2218147	Grommet-Gauge	1	
4	4252531	Wldmt-Tank Support RH	1	
5	4217841	Tank-Hydraulic and fittings	1	
	4153597	• Strainer-Suction, 125 micron	1	
	4240922	• Cap, Filler / Breather	1	
	4292311	• Filler/Breather seal Metal	1	
	4292312	• Filler/Breather seal O ring	1	
	4211003	• Tank-Hydraulic Only	1	
6	450213	Screw-Hex M10-1.5 x 20, Gr 8.8	3	
7	450240	Screw-Hex M12-1.75 x 25, Gr 8.8	3	
8	450242	Screw-Hex M12-1.75 x 35, Gr 8.8	1	
9	450378	Nut-Hex M8-1.25, Gr 8, Nyloc	1	
10	450390	Wshr-M8 x 17 x 1.8	1	
11	450391	Wshr-M10 x 21 x 2.2	3	
12	450392	Wshr-M12 x 24 x 2.7	3	
13	450412	Lockwshr-M10 x 15.9 x 2.5	3	
14	450424	Lockwshr-M12 x 21 x 2.65	1	
15	452438	Nut-Nyloc M12 Flng	1	
16	450357	M6-1.0 (A-K) Nutsert (0.7-4.2 G/L)	2	
17	158007-08	90-M/M 1-3/16 ORFS x 1-5/16 SAE	1	
*	158061-09	• O Ring (For 1.3/16 UNF)	1	
*	002218146	• O Ring (For 1.5/16 UNF)	1	
18*	4224299	Hose Assy	1	Drain Manifold Tee to Hyd Tank
19	4242084	Bracket-Hose Support	1	
20	4163630	Hose Assy	1	Tank Suction Strainer to Cutter Pump Inlet

* Not illustrated

4.1 BATTERY TRAY

Illustration Number: 4230449-2



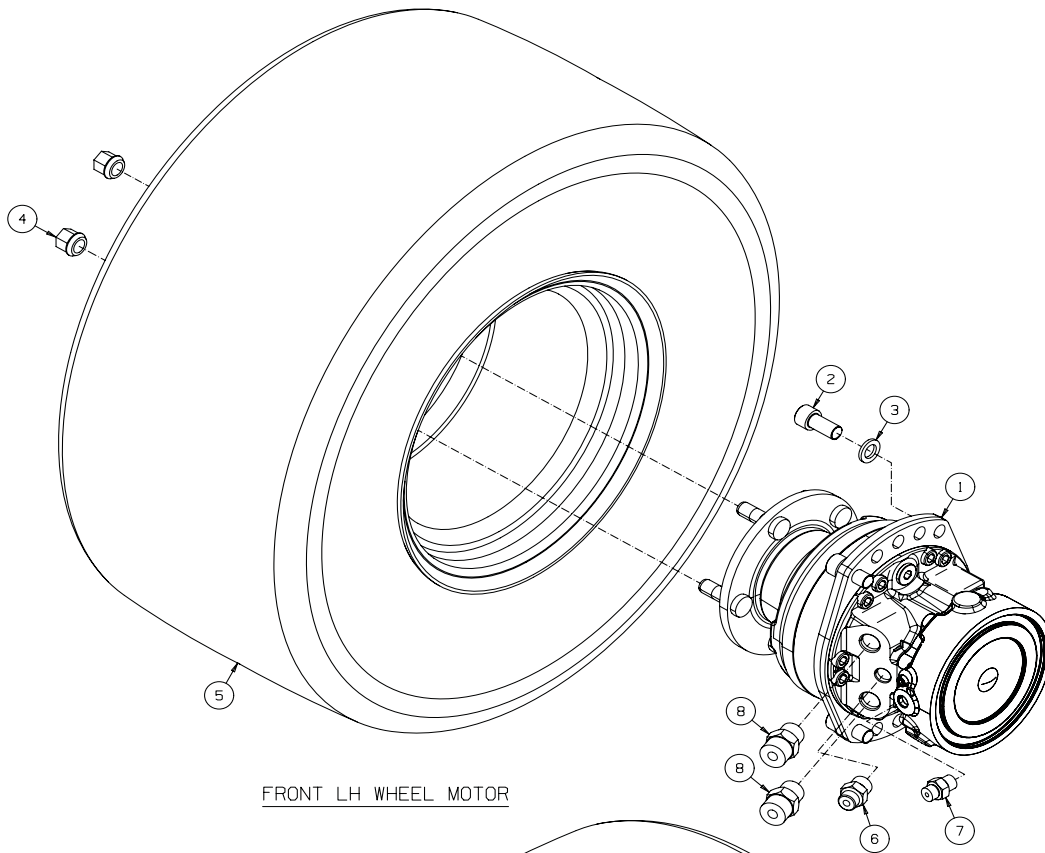
4.1 BATTERY TRAY

ITEM	PART NO.	DESCRIPTION	QTY.	
1	002498400	Tee-M/F/M 11/16 ORFS	1	
*	158061-01	• O-Ring	2	11/16" ORFS
2	002498870	Tee-Run 1-3/16 ORFS	1	
*	158061-09	• O-Ring	2	1-3/16" ORFS
3	4177128	Tee-F/M/M 11/16 ORS(2) x 9/16 ORS	1	
*	158061-18	• O-Ring	1	9/16" ORFS
*	158061-01	• O-Ring	1	11/16" ORFS
4	008230310	Battery-Type 093	1	
5	009079310	Top Plate-Tube Clamp	1	
6	2208139	5/8 Bore Hose Clamp	1	
7	4202760	Manifold	1	
8	4235540	Channel-Battery Clamp	1	
9	4236568	Wldmt-Bracket, Hose Clamp	1	
10	4238890	Battery Tray Wldmt	1	
11	450019	Bolt-Hex M8-1.25 x 55, Gr 8.8	1	
12	450170	Screw-Hex M6-1.0 x 16, Gr 8.8	2	
13	450192	Screw-Hex M8-1.25 x 25, Gr 8.8	4	
14	450323	Nut-Hex M6-1.0, Gr 8	2	
15	450377	Nut-Hex M6-1.0, Gr 8, Nyloc	2	
16	450389	Wshr-M6 x 12.5 x 1.8	6	
17	450390	Wshr-M8 x 17 x 1.8	5	
18	450411	Lockwshr-M8 x 12.75 x 2	4	
19	450865	Screw-Csk Hex Sckt M8-1.25 x 20	3	Gr 12.9
20	MBF1290	Stud - M6 x 200	2	
21	158006-01	Ftg-M/M 11/16 ORS x 9/16 SAE	1	
*	158061-01	• O-Ring	2	11/16" ORFS
*	002218065	• O-Ring	1	9/16" SAE
22*	007996050	Hose Assy	1	Brake Valve DR to Drain Manifold
23*	2692215-13	Hose Assy	1	RH Whl Mtr Drain to Drain Manifold To S/N JD000473 JE000300 JD100314 JE100300
23	002568020	Cap - 11/16 ORFS	1	From S/N JD000474 JE000301 JD100315 JE100301
24*	4133900	Hose Assy	1	LH Whl Mtr Drain to Drain Manifold To S/N JD100314 JE100300 JD000473 JE000300
24*	4282058	Hose Assy	1	Whl Mtr Drain tee to Drain Manifold From S/N JD000474 JE000301 JD100315 JE100301
25*	4163589	Hose Assy	1	Qrc Bulkhead to Drain Manifold
26*	4224265	Hose Assy	1	LH Rear Motor Drain to Drain Manifold
27*	4224298	Hose Assy	1	Oil Cooler LH Port to Drain Manifold
28*	4224299	Hose Assy	1	Drain Manifold Tee to Hyd Tank
29*	4224302	Hose Assy	1	Lift Valve T to Drain Manifold
30*	4241112	Hose Assy	1	RH Rear Mtr Drain to Drain Manifold
*	4205248	Battery Positive Cable	1	Red
*	4256591	Positive Battery Terminal Cover	1	Red
*	4205249	Battery Negative Cable	1	Black

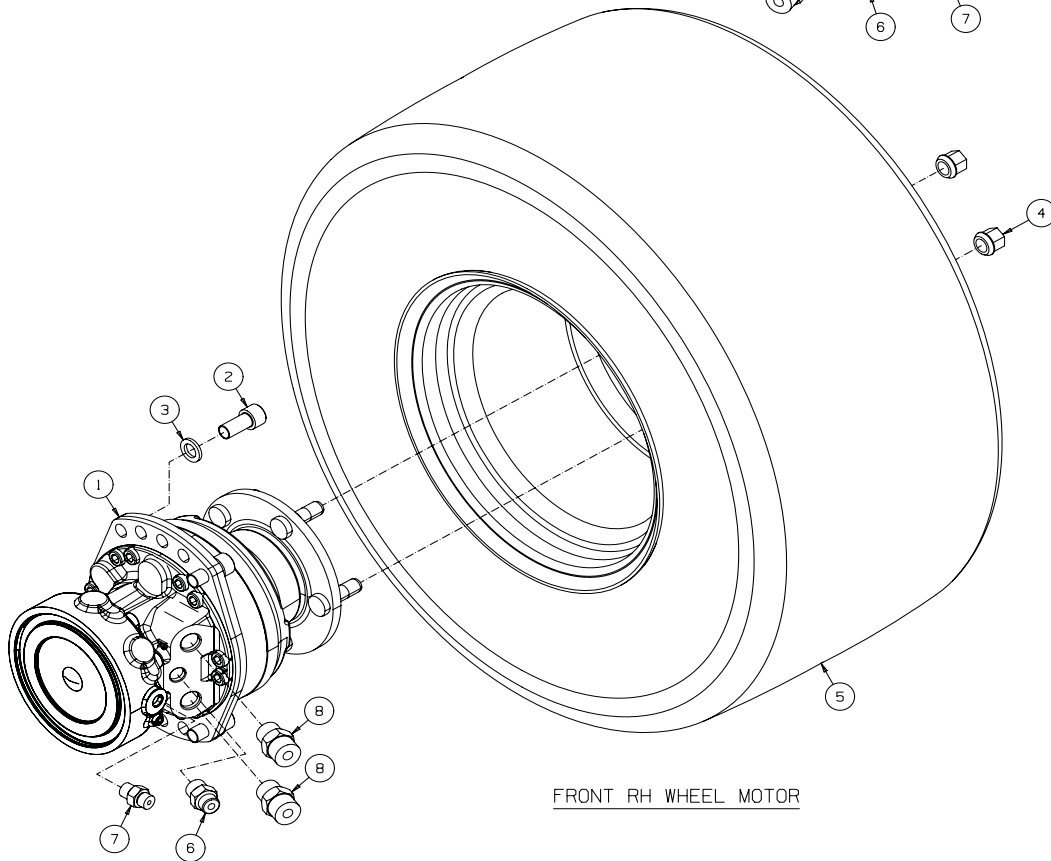
* Not illustrated

6.1 FRONT WHEEL AND MOTOR

Illustration Number: 4230427



FRONT LH WHEEL MOTOR



FRONT RH WHEEL MOTOR

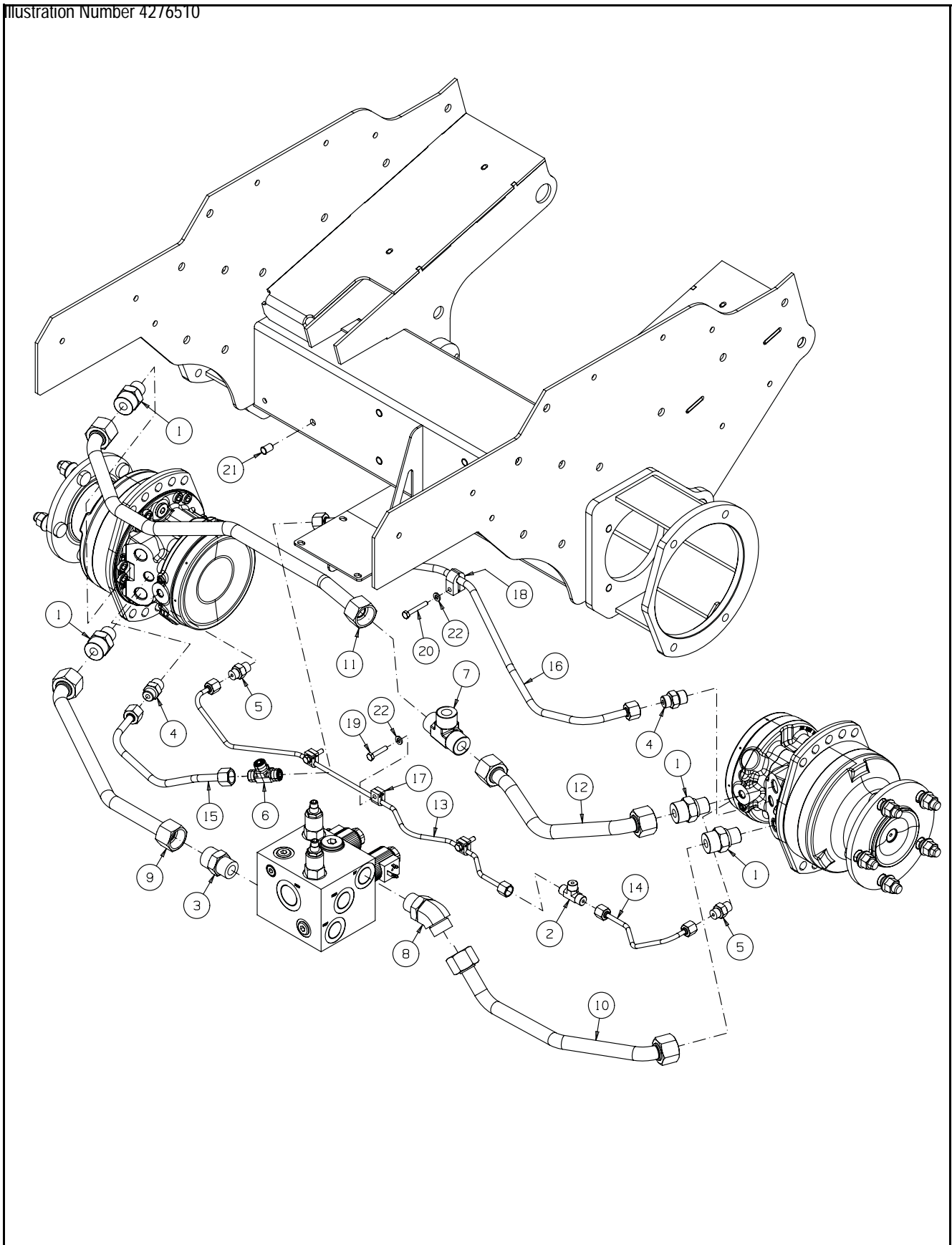
6.1 FRONT WHEEL AND MOTOR

ITEM	PART NO.	DESCRIPTION	QTY	
1	4230498	213cc Wheel Motor (BSP Ports)	2	To S/N JD000332 & JE000300
1	4252567	213cc Wheel Motor (SAE Ports)	2	From S/N JD000333 & JE000301
*	4229520	• Motor Seal Kit	1	
*	4229521	• Multi-Disc Brake Seal Kit	1	
2	4228802	CapScrew-Hex Sckt M14-1.5 x 30	8	
3	001594200	Lockwshr-M14 x 24.1 x 3	8	
4	008008460	Wheel Nut, M14 Spherical	10	Torque 95 - 108NM
5	4241147	Whl Asm 26x12x12	2	
6	002590180	Ftg-11/16 ORFS x 3/8 BSPP	2	To S/N JD000332 & JE000300
*	158061-01	• O-Ring	1	11/16" ORFS
*	870000081	• Seal	1	3/8" BSP
6	158006-13	Ftg-11/16 ORS x 3/4 SAE	2	From S/N JD000333 & JE000301
*	158061-01	• O-Ring	1	11/16" ORFS
*	002218081	• O-Ring	1	3/4" SAE
7	002590750	Ftg-9/16 ORFS x 1/4 BSPP	2	To S/N JD000332 & JE000300
*	158061-18	• O-Ring	1	9/16" ORFS
*	870000073	• Seal	1	1/4" BSP
7	158006-15	Ftg-9/16 ORS x 9/16 SAE	2	From S/N JD000333 & JE000301
*	158061-18	• O-Ring	1	9/16" ORFS
8	4163528	Ftg-M/M 1/2 BSPP x 1 ORS	4	To S/N JD000332 & JE000300
*	158061-08	• O-Ring	1	1" ORFS
*	870000099	• Seal	1	1/2" BSP
8	002515010	Ftg-M/M 1 ORS x 7/8 SAE	4	From S/N JD000333 & JE000301
*	158061-08	• O-Ring	1	1" ORFS
*	002218104	• O-Ring	1	7/8" SAE
		To S/N JD000473 JE000300 JD100314 JE100300		
9*	4241107	Hose Assy	1	Brake Valve PB1 to Frt LH Whl Mtr
10*	4241106	Hose Assy	1	LH Whl Mtr Top Port to Trans Pump B
11*	4121766	Hose Assy	1	LH Whl Mtr Btm Port to Trans Valve LF
12*	4133900	Hose Assy	1	LH Whl Mtr Drain to Drain Manifold
13*	4177625-03	Hose Assy	1	Brake Valve PB1 to Frt RH Whl Mtr
14*	4241108	Hose Assy	1	RH Whl Mtr Top Port to Trans Pump B
15*	4241109	Hose Assy	1	RH Whl Mtr Btm Port to Trans Valve RF
16*	2692215-13	Hose Assy	1	RH Whl Mtr Drain to Drain Manifold

* Not illustrated

6.1a FRONT AXLE HYDRAULIC TUBES From JD000474 JD100315 JE000301 JE100301

Illustration Number 4276510

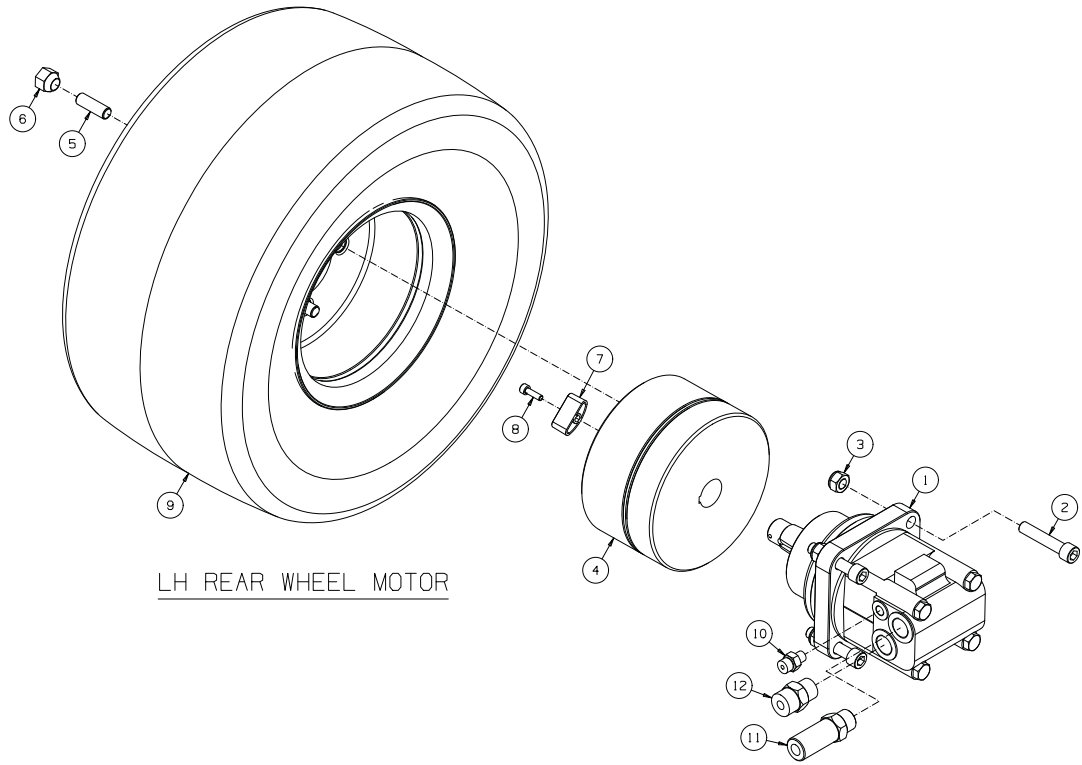


6.1a FRONT AXLE HYDRAULIC TUBES From JD000474 JD100315 JE000301 JE100301

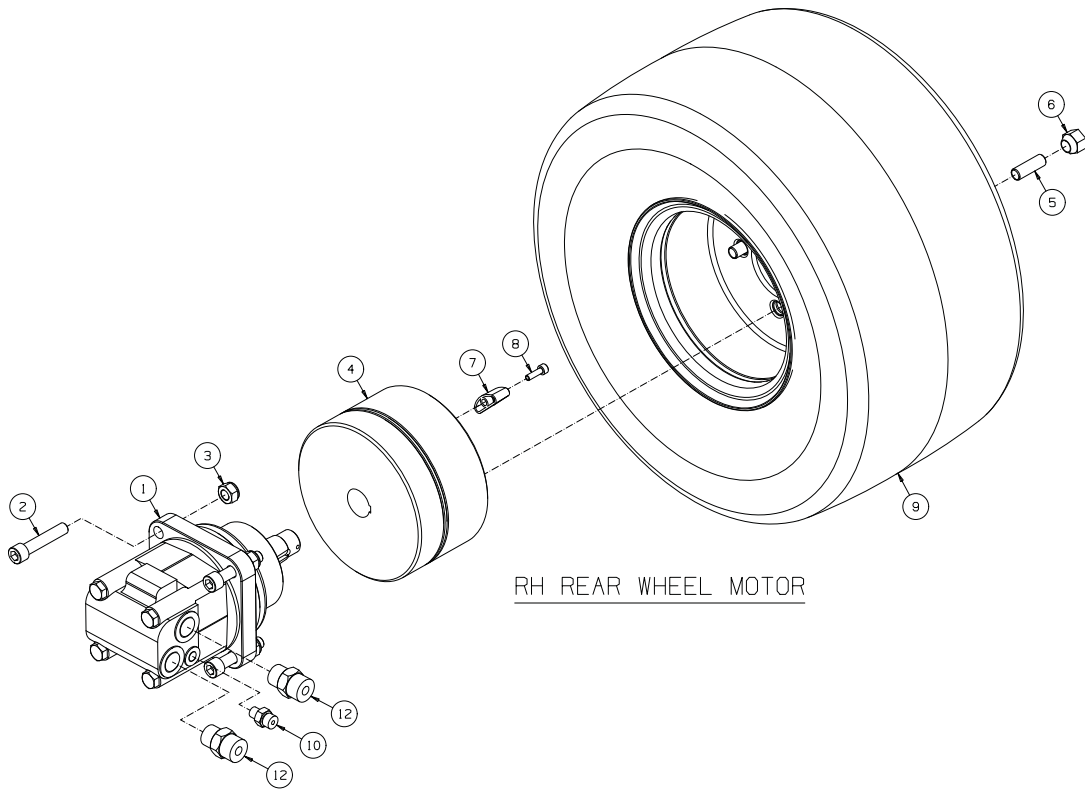
ITEM	PART NO.	DESCRIPTION	QTY	
1	002515010	FTG-M/M 1-3/16 ORS x 7/8 SAE	4	
2	002542050	TEE-M/M/M 9/16 ORS	1	
3	158006-08	FTG-M/M 1-3/16 ORS x 1-1/16 SAE	1	
4	158006-13	FTG-11/16 ORS x 3/4 SAE	2	
5	158006-15	FTG-9/16 ORS x 9/16 SAE	2	
6	158011-01	TEE-M/M/M 11/16 ORS	1	
7	158011-04	TEE-M/M/M 1.3/16-12 ORFS	1	
8	158059-02	45 M/M-1.1/16 SAE x 1.3/16 ORFS	1	
9	4241168	HYD TUBE	1	
10	4241169	HYD TUBE	1	
11	4241170	HYD TUBE	1	
12	4241171	HYD TUBE	1	
13	4241176	HYD TUBE	1	
14	4241177	HYD TUBE	1	
15	4241178	HYD TUBE	1	
16	4241179	HYD TUBE	1	
17	4275870	SINGLE TUBE CLAMP (6 mm)	3	
18	4275871	SINGLE TUBE CLAMP (10 mm)	2	
19	450001	BOLT-HEX M6-1.0 x 30, Gr 8.8	3	
20	450003	BOLT-HEX M6-1.0 x 40, Gr 8.8	2	
21	450357	M6-1.0 (A-K) NUTSERT (0.7-4.2 G/L)	5	
22	450389	WSHR-M6 x 12.5 x 1.8	5	
		From S/N JD000474 JE000301 JD100315 JE100301		
23	4281971	HOSE ASSY	1	
24	4282057	HOSE ASSY	1	
25	4282058	HOSE ASSY	1	

6.2 REAR WHEEL AND MOTOR

Illustration Number: 4230452



LH REAR WHEEL MOTOR



RH REAR WHEEL MOTOR

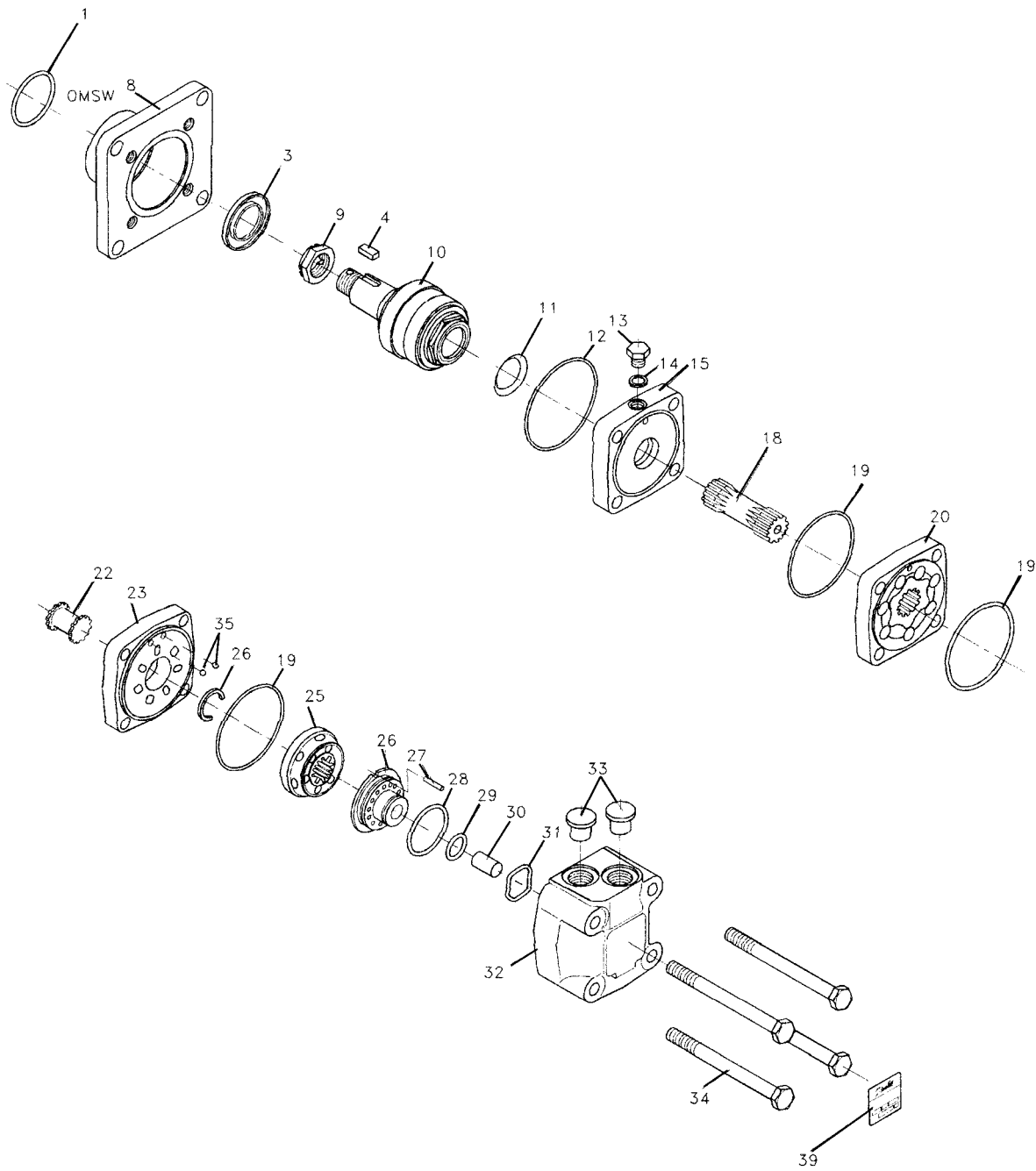
6.2 REAR WHEEL AND MOTOR

ITEM	PART NO.	DESCRIPTION	QTY.	
1	4139426	Motor-Wheel, Danfoss OMSW 160	2	
2	450760	CapScrew-Hex Sckt M12-1.75 x 60	8	Gr 12.9
3	450380	Nut-Hex M12-1.75, Gr 8, Nyloc	8	
4	4192803	Wheel Hub, Rear	2	
5	456800237	Stud-1/2-20 x 1-1/2	8	
6	001341110	Nut Wheel	8	Torque 95 - 108NM
7	4192800	Hub Wheel Nut	2	
8	4183560	Capscrew-Sckt M8x20 c/w Tuflok 180	2	
9		WL066 Wheel Kit		
*	4241147	Wheel & Tyre Asm, 26x12x12		
*	4220940	Tubeless Tyre Valve Assy - Tr412	1	
*	4222543	Rim 12x10.5 Ja Contour		
*	4233920	Tyre 26x12x12- 8 Ply Otr Grassmaster	1	
*	4302592	Wheel And Tyre Assembly - 20x10x8		
*	4233962	Tyre 20x10x8-4 Ply Otr Grassmaster	1	
*	4293444	1 Piece Rolled Rim- 8 X 7	1	
*	4220940	Tubeless Tyre Valve Assy - Tr412	1	
		WLA066 Wheel Kit		Aramide Tyre
*	4303039	Wheel & Tyre Aramide 20x10x8 4 Bolt	1	
*	4226200	Tyre 20x10x8-6 Ply Grassmaster1		
*	4293444	1 Piece Rolled Rim- 8 X 7	1	
*	4220940	Tubeless Tyre Valve Assy - Tr412	1	
10	002515000	Ftg-9/16 ORS x 7/16 SAE	2	
*	158061-18	• O-Ring	1	9/16" ORFS
*	002218049	• O-Ring	1	7/16" SAE
11	002590890	Ftg-Long M/M 1 ORS x 7/8 SAE	1	
*	158061-08	• O-Ring	1	1" ORFS
*	002218104	• O-Ring	1	7/8" SAE
12	158006-07	Ftg-M/M 1 ORS x 7/8 SAE	3	
*	158061-08	• O-Ring	1	1" ORFS
*	002218104	• O-Ring	1	7/8" SAE
13	4224263	Hose Assy	1	LH Rear Mtr Top Port to Trans Valve LRF
14	4224264	Hose Assy	1	LH Rear Mtr Btm Port to Trans Valve LRR
15	4224265	Hose Assy	1	LH Rear Motor Drain to Drain Manifold
16	4241110	Hose Assy	1	RH Rear Mtr Top Port to Trans Valve RRF
17	4241111	Hose Assy	1	RH Rear Mtr Btm Port to Trans Valve RRR
18	4241112	Hose Assy	1	RH Rear Mtr Drain to Drain Manifold

* Not illustrated

6.2a DANFOSS REAR WHEEL MOTOR (4139426)

Illustration Number: 4139426



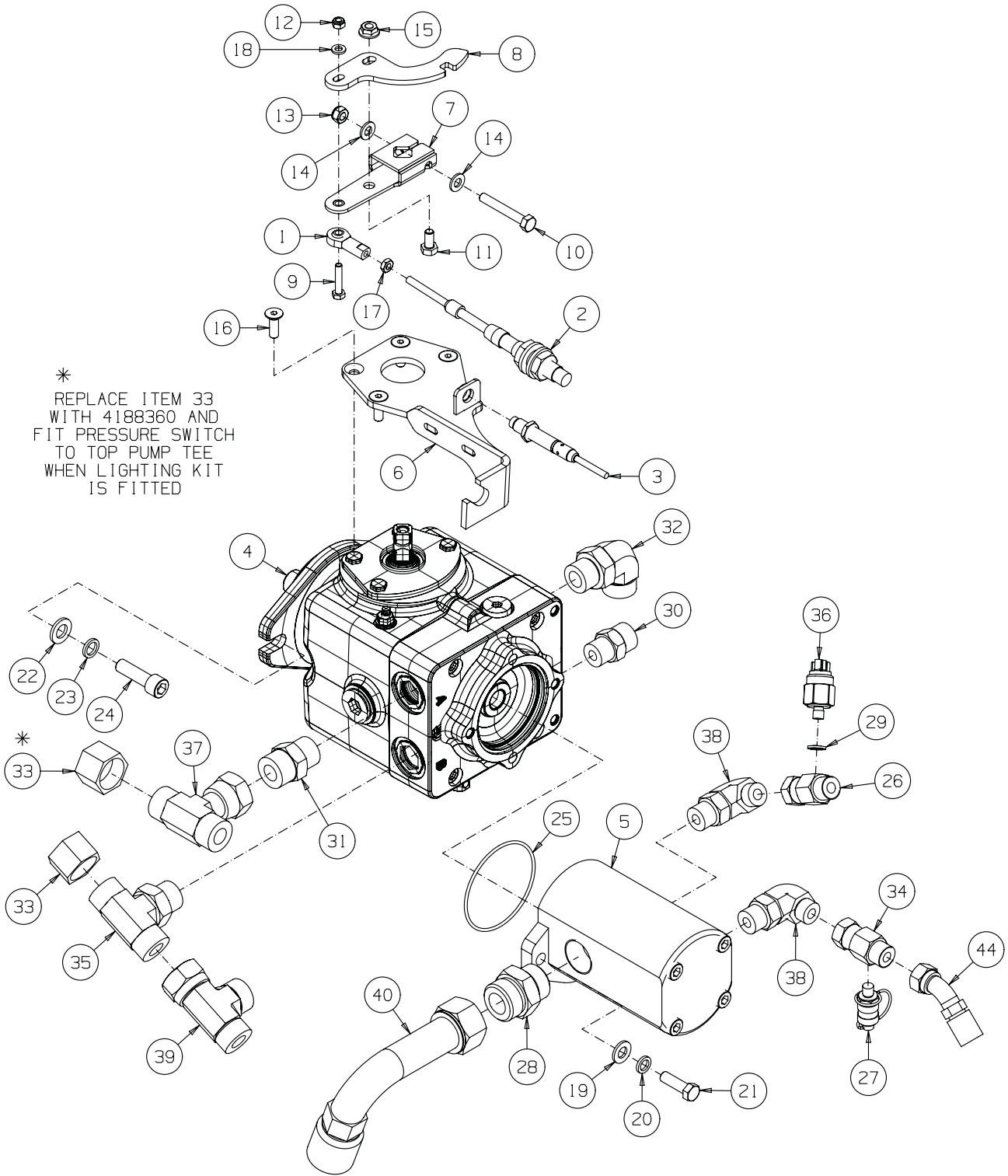
6.2a DANFOSS REAR WHEEL MOTOR (4139426)

ITEM	PART NO.	DESCRIPTION	QTY.	
	4139426	Motor-Wheel, Danfoss OMSW 160	1	
1	+	• O Ring	1	
3	+	• Shaft Seal	1	
4	008007810	• Parallel Key 5/16 x 5/16 x 1 1/4	1	
8		• Bearing Housing	1	
9	008007820	• Castellated Nut (1-20 UNEF)	1	
10		• Shaft	1	
11	+	• Seal Ring	1	
12	+	• O Ring	1	
13		• Drain Plug G $\frac{1}{4}$ (ISO228/1)	1	
14		• Washer 13.5 x 17.5 x 1.5 mm	1	
15		• Intermediate Plate	1	
18		• Cardan Shaft	1	
19	+	• O Ring	3	
20		• Gear Wheel Set	1	
22		• Valve Drive	1	
23		• Channel Plate	1	
25		• Disc Valve	1	
26		• Balance Plate	1	
27		• Guide Pin 4 mm Dia x 20 mm Lg	1	
28	+	• O Ring	1	
29	+	• O Ring	1	
30		• Spacer	1	
31		• Spring Washer	1	
32	N/A	• Valve Housing	1	
33		• Seal Plug	2	
34		• Bolt	4	
35		• Guide Pin 4 mm Dia x 6 mm Lg	1	
39	N/A	• Name Plate	1	
100	002300620	Items Marked + Part of • Seal Kit	1	Items : 1,3,11,12,19,28 & 29

* Not illustrated

6.3 PUMPS

Illustration Number: 4230450-3

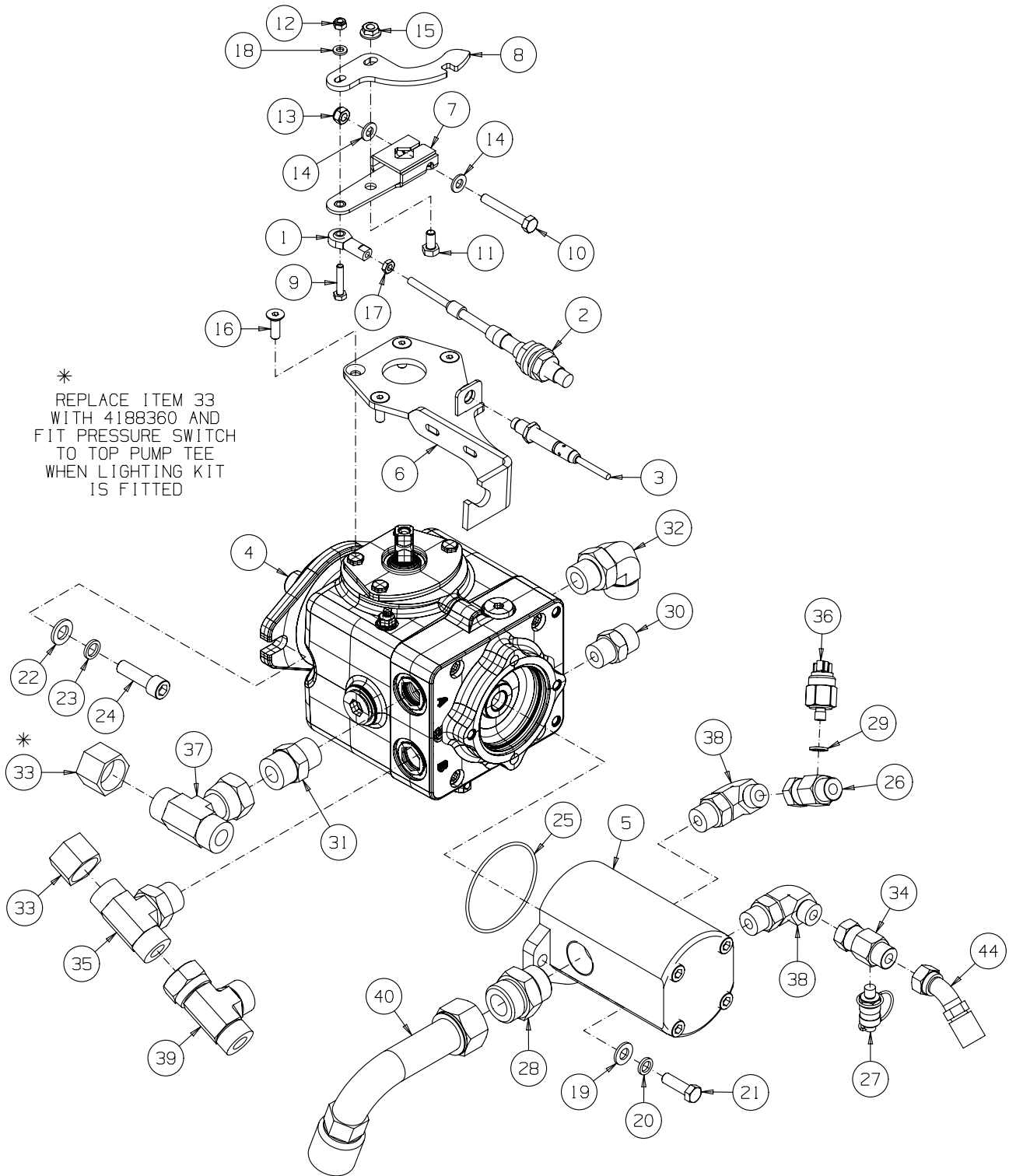


6.3 PUMPS

ITEM	PART NO.	DESCRIPTION	QTY.	
1	128079	1/4" Rod End	1	
2	4213940	Control Cable	1	
3	4197063	Inductive Sensor	1	
4	4203740	LPV 35cc Axial Piston Pump	1	
5	4177940	Pump-Cutter & Steering	1	
*	4177942	Seal Kit for 4177940		
6	4201200	Wldmt-Bracket, Cable Abutment	1	
7	4201210	Wldmt-Control Arm	1	
8	4202240	Actuator-Neutral Switch	1	
9	450001	Bolt-Hex M6-1.0 x 30, Gr 8.8	1	
10	450019	Bolt-Hex M8-1.25 x 55, Gr 8.8	1	
11	450190	Screw-Hex M8-1.25 x 16, Gr 8.8	1	
12	450377	Nut-Hex M6-1.0, Gr 8, Nyloc	1	
13	450378	Nut-Hex M8-1.25, Gr 8, Nyloc	1	
14	450390	Wshr-M8 x 17 x 1.8	2	
15	450453	Nut-Hex M8-1.25, Gr 10, Verbus Ripp	1	
16	450866	Screw-Csk Hex Sckt M8-1.25 x 25	4	Gr 12.9
17	450020231	Nut-Hex 1/4-28, Gr 1, Thin	1	
18	450389	Wshr-M6 x 12.5 x 1.8	1	
19	450391	Wshr-M10 x 21 x 2.2	2	
20	450412	Lockwshr-M10 x 15.9 x 2.5	2	
21	456110448	Screw-Hex 3/8-16 x 1.1/4, Gr S	2	
22	450392	Wshr-M12 x 24 x 2.7	2	
23	450413	Lockwshr-M12 x 17.9 x 2.5	2	
24	450756	CapScrew-Hex Sckt M12-1.75 x 40	2	Gr 12.9
25	002211520	O-Ring 82.22 ID x 2.62 Sect	1	
26	4231440-04	Ftg-F/M 13/16 ORFS + 1/8 BSPP (1)	1	
27	002449048	Test Point-1/8 BSPP x M16	1	
28	002515050	Ftg-1-7/16 ORS x 1-5/16 SAE	1	
29	870000065	1/8 BSP Dowty Washer	1	
30	158006-07	Ftg-M/M 1 ORS x 7/8 SAE	1	
*	158061-08	• O-Ring	1	1" ORFS
*	002218104	• O-Ring	1	7/8" SAE
31	158006-08	Ftg-M/M 1-3/16 ORS x 1-1/16 SAE	1	
*	158061-09	• O-Ring	1	1-3/16" ORFS
32	158007-07	90-M/M 1-3/16 ORFS x 1-1/16 SAE	1	
*	158061-09	• O-Ring	1	1-3/16" ORFS
*	002218120	• O-Ring	1	1-1/16" SAE
33	4139161	ORFS Cap 1-3/16"-12	2	
34	4231440-1	Ftg-F/M 13/16 ORFS + 1/8 BSPP(1)	1	c/w 002449048 (item 27)
35	4188084	Tee-M/M/M 1-3/16 ORS (2) x 1-1/16 SAE	1	
*	158061-09	• O-Ring	2	1-3/16" ORFS
36	4198560	Pressure Switch (Cut Efficiency)	1	

* Not illustrated

Illustration Number: 4230450-3



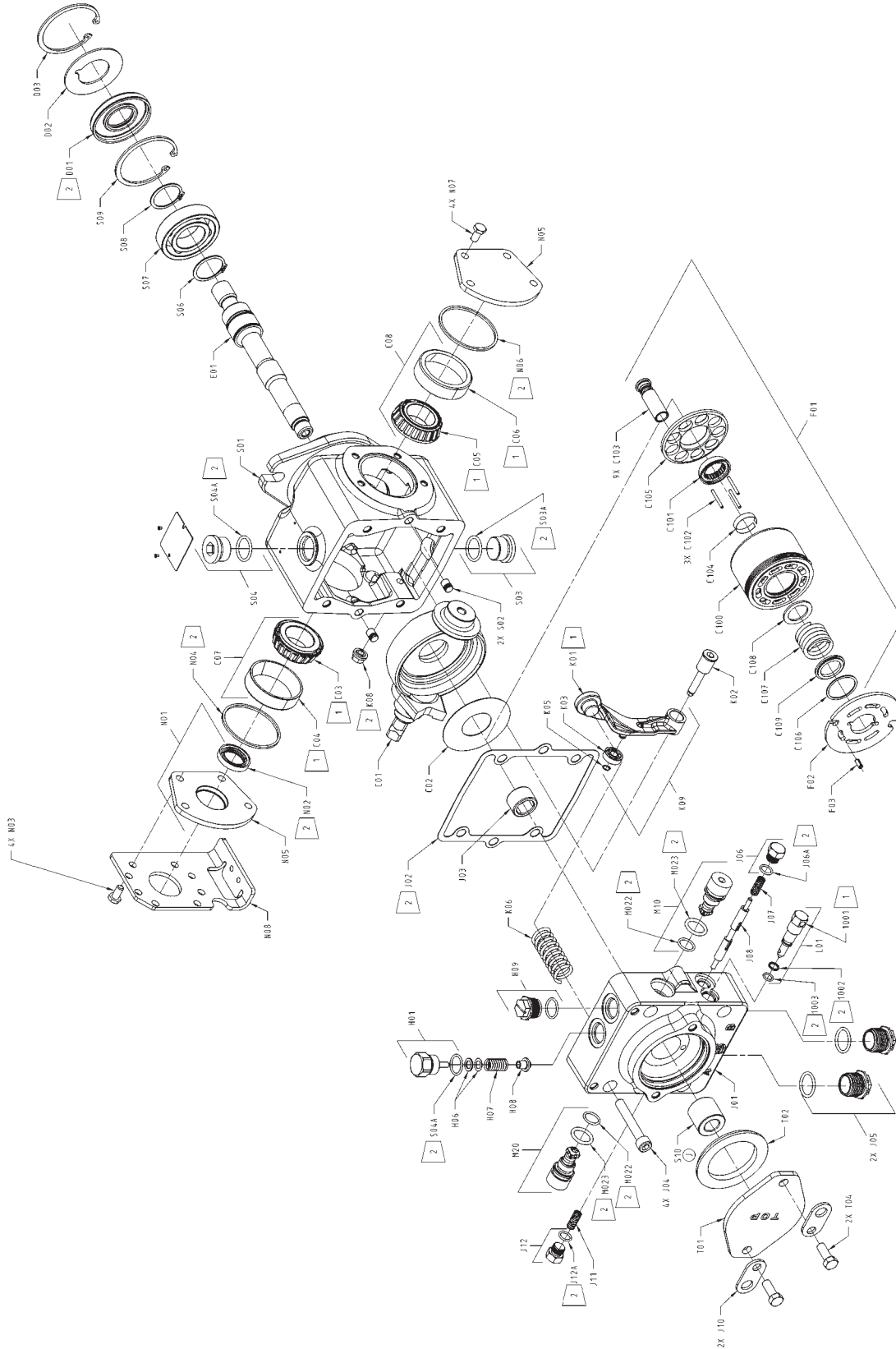
6.3 PUMPS

ITEM	PART NO.	DESCRIPTION	QTY.	
37	69057-02	Tee-M/F/M 1-3/16 ORS	1	
*	158061-09	• O-Ring	2	1-3/16" ORFS
38	158007-03	90-M/M 13/16 ORS x 7/8 SAE	2	
39	002498870	Tee-Run 1-3/16 ORS	1	To S/N JD000473 JE000300 JD100314 JE100300
*	158061-09	• O-Ring	2	1-3/16" ORFS
40	4163630	Hose Assy	1	Tank Suction Strainer to Cutter Pump Inlet
41*	4224270	Hose Assy	1	Trans Pump A to Trans Valve Rev
42*	4224271	Hose Assy	1	Trans Pump Charge Inlet to Filter Out
43*	4224272	Hose Assy	1	Trans Pump L to Oil Cooler RH Port
44	4281351	Hose Assy	1	Steering Pump to Steering Valve P
45*	4241103	Hose Assy	1	Cutter Valve CP to Cutter Pump
46*	4241106	Hose Assy	1	LH Whl Mtr Top Port to Trans Pump B To S/N JD000473 JE000300 JD100314 JE100300
46*	4282057	Hose Assy	1	Whl Mtr top tee Port to Trans Pump B From S/N JD000474 JE000301 JD100315 JE100301
47*	4241108	Hose Assy	1	RH Whl Mtr Top Port to Trans Pump B To S/N JD000473 JE000300 JD100314 JE100300

* Not illustrated

6.3b SAUER DANFOSS TRANSMISSION PUMP (4162660)

Illustration Number: 4162660



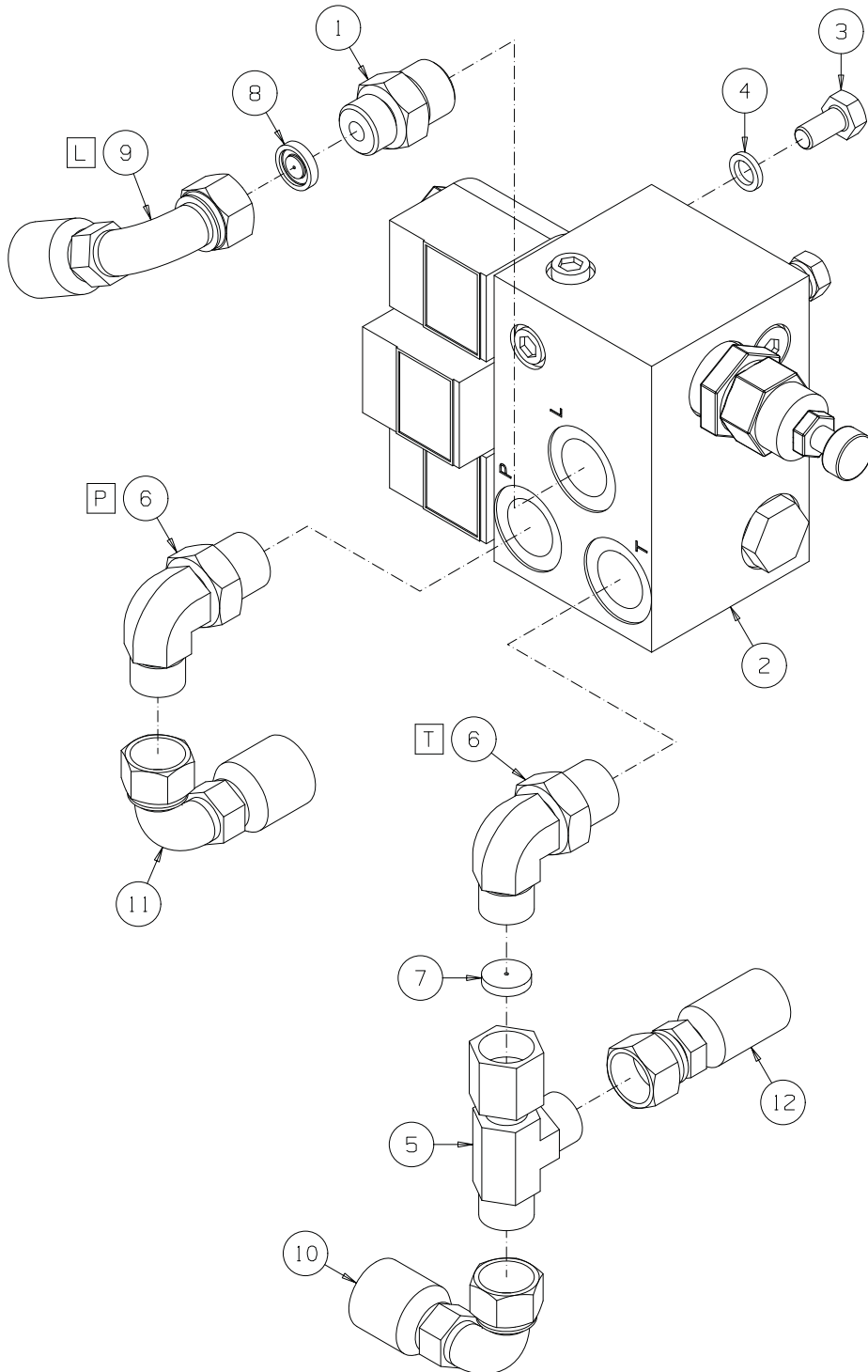
6.3b SAUER DANFOSS TRANSMISSION PUMP (4162660)

ITEM	PART NO.	DESCRIPTION	QTY.	
	4162660	Pump-Transmission, LPV035	1	
2	4169328	Seal Kit	1	Comprises items marked *
*	1002	O-Ring	1	Not available separately
*	1003	O-Ring	1	Not available separately
*	D01	Seal	1	Not available separately
*	J02	Gasket	1	Not available separately
*	J06A	O-Ring	1	Not available separately
*	J12A	O-Ring	1	Not available separately
*	K08	Nut	1	Not available separately
*	M022	O-Ring	2	Not available separately
*	M023	O-Ring	1	Not available separately
*	N02	Seal	1	Not available separately
*	N04	Seal	1	Not available separately
*	N06	Seal	1	Not available separately
*	S03A	Seal	1	Not available separately
*	S04A	O-Ring	2	Not available separately

* Not illustrated

6.4 LIFT VALVE

Illustration Number: 4230425-2



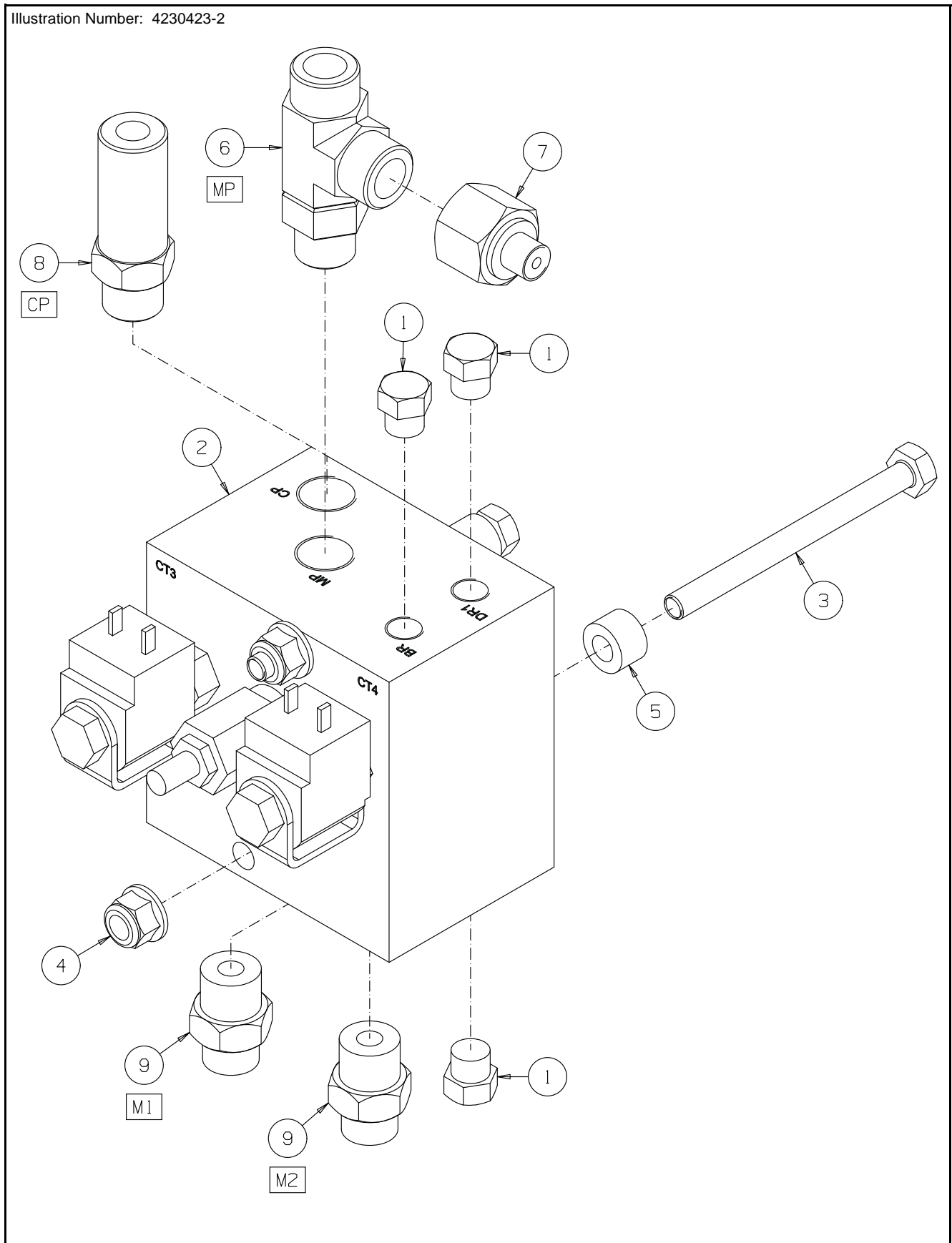
6.4 LIFT VALVE

ITEM	PART NO.	DESCRIPTION	QTY	
1	158006-13	Ftg-11/16 ORS x 3/4 SAE	1	
*	158061-01	• O-Ring	1	11/16" ORFS
*	002218081	• O-Ring	1	3/4" SAE
2	4228822	Lift Valve	1	
3	450190	Screw-Hex M8-1.25 x 16, Gr 8.8	3	
4	450411	Lockwshr-M8 x 12.75 x 2	3	
5	002498400	Tee-M/F/M 11/16 ORS	1	
*	158061-01	• O-Ring	1	11/16" ORFS
6	158007-10	90-M/M 11/16 ORS x 3/4 SAE	2	
*	158061-01	• O-Ring	1	11/16" ORFS
*	002218081	• O-Ring	1	3/4" SAE
7	69068-01	11/16 ORFS 0.052" Disc	1	
*	158061-01	• O-Ring	1	11/16" ORFS
8	69068-02	11/16 ORFS 0.04" Disc	1	
*	158061-01	• O-Ring	1	11/16" ORFS
9*	4173281	Hose Assy	1	Lift Valve L to Lift Ram Tee
10*	4224302	Hose Assy	1	Lift Valve T to Drain Manifold
11*	4241104	Hose Assy	1	Lift Valve P to Steering Valve E
12*	4241105	Hose Assy	1	Lift Valve T to Steering Valve T

* Not illustrated

6.5 CUTTER VALVE

Illustration Number: 4230423-2



6.5 CUTTER VALVE

ITEM	PART NO.	DESCRIPTION	QTY	
1	002444056	Plug-9/16 SAE	3	
2	4232000	Cutter Valve	1	
3	450043	Bolt-Hex M10-1.5 x 120, Gr 8.8	2	
4	452437	Nut-Nyloc M10 Fing	2	
5	MBE3454	Spacer-10.5 x 20 x 13	2	
6	002590130	Tee-M/M/M 1 ORS (2) x 7/8 SAE	1	
*	158061-08	• O-Ring	2	1" ORFS
*	002218104	• O-Ring	1	7/8" SAE
7	002590440	Reducer-F/M 1 ORS x 9/16 ORS	1	
*	158061-18	• O-Ring	1	9/16" ORFS
8	002590890	Ftg-Long M/M 1 ORS x 7/8 SAE	1	
*	158061-08	• O-Ring	1	1" ORFS
*	002218104	• O-Ring	1	7/8" SAE
9	158006-06	Ftg-M/M 13/16 ORS x 7/8 SAE	2	
*	158061-02	• O-Ring	1	13/16" ORFS
*	002218104	• O-Ring	1	7/8" SAE
10*	4163588	Hose Assy	1	Cutter Valve M2 to Frt Blkhd "Return"
11*	4177625-13	Hose Assy	1	Cutter Valve MP to Brake Valve CP
12*	4224273	Hose Assy	1	Cutter Valve MP to Filter "In"
13*	4241102	Hose Assy	1	Cutter Valve M1 to Frt Blkhd "Pressure"
14*	4241103	Hose Assy	1	Cutter Valve CP to Cutter Pump

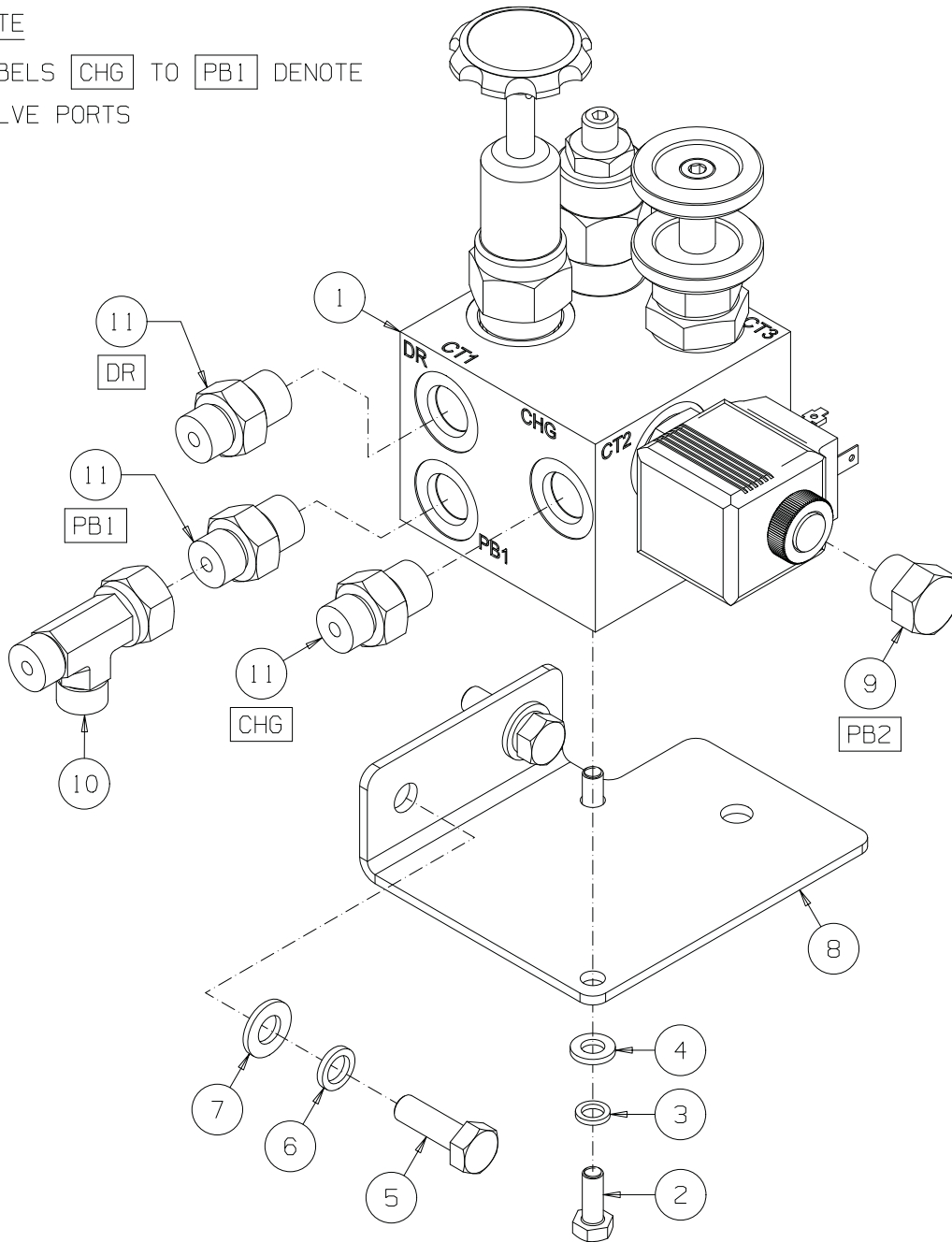
* Not illustrated

6.6 BRAKE VALVE

Illustration Number: 4230424

NOTE

LABELS CHG TO PB1 DENOTE
VALVE PORTS



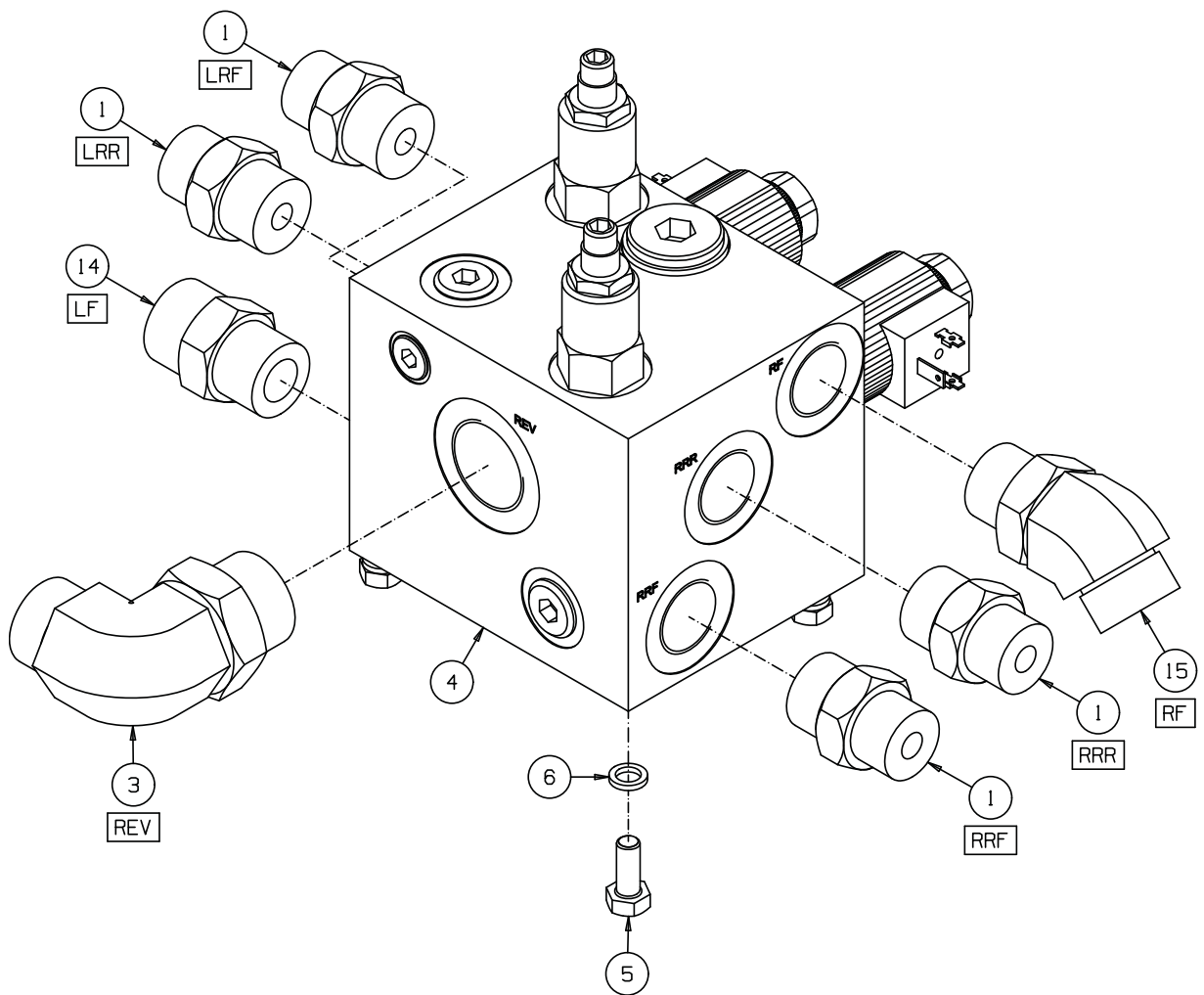
6.6 BRAKE VALVE

ITEM	PART NO.	DESCRIPTION	QTY	
1	4201021	Brake Valve	1	
2	450170	Screw-Hex M6-1.0 x 16, Gr 8.8	2	
3	450410	Lockwshr-M6 x 9.6 x 1.5	2	
4	450389	Wshr-M6 x 12.5 x 1.8	2	
5	450192	Screw-Hex M8-1.25 x 25, Gr 8.8	2	
6	450411	Lockwshr-M8 x 12.75 x 2	2	
7	450390	Wshr-M8 x 17 x 1.8	2	
8	4208240	Bracket-Brake Valve	1	
9	002444056	Plug-9/16 SAE	1	
10	002590480	Tee-M/F/M 9/16 ORS	1	To S/N JD100314 JE100300 JD000473 JE100300
*	158061-18	• O-Ring	1	9/16" ORFS
11	158006-15	Ftg-9/16 ORS x 9/16 SAE	3	
*	158061-18	• O-Ring	1	9/16" ORFS
12*	007996050	Hose Assy	1	Brake Valve Dr To Drain Manifold
13*	4177625-03	Hose Assy	1	Brake Valve PB1 To Frt Rh Whl Mtr To S/N JD100314 JE100300 JD000473 JE100300
14*	4177625-13	Hose Assy	1	Cutter Valve MP To Brake Valve Cp
15*	4241107	Hose Assy	1	Brake Valve PB1 To Frt Lh Whl Mtr To S/N JD100314 JE100300 JD000473 JE100300
15*	4281971	Hose Assy	1	Brake valve PB1 to Frt Whl Mtr tee From S/N JD100315 JE100301 JD000474 JE100301

* Not illustrated

6.7 TRANSMISSION VALVE

Illustration Number: 4230428-2



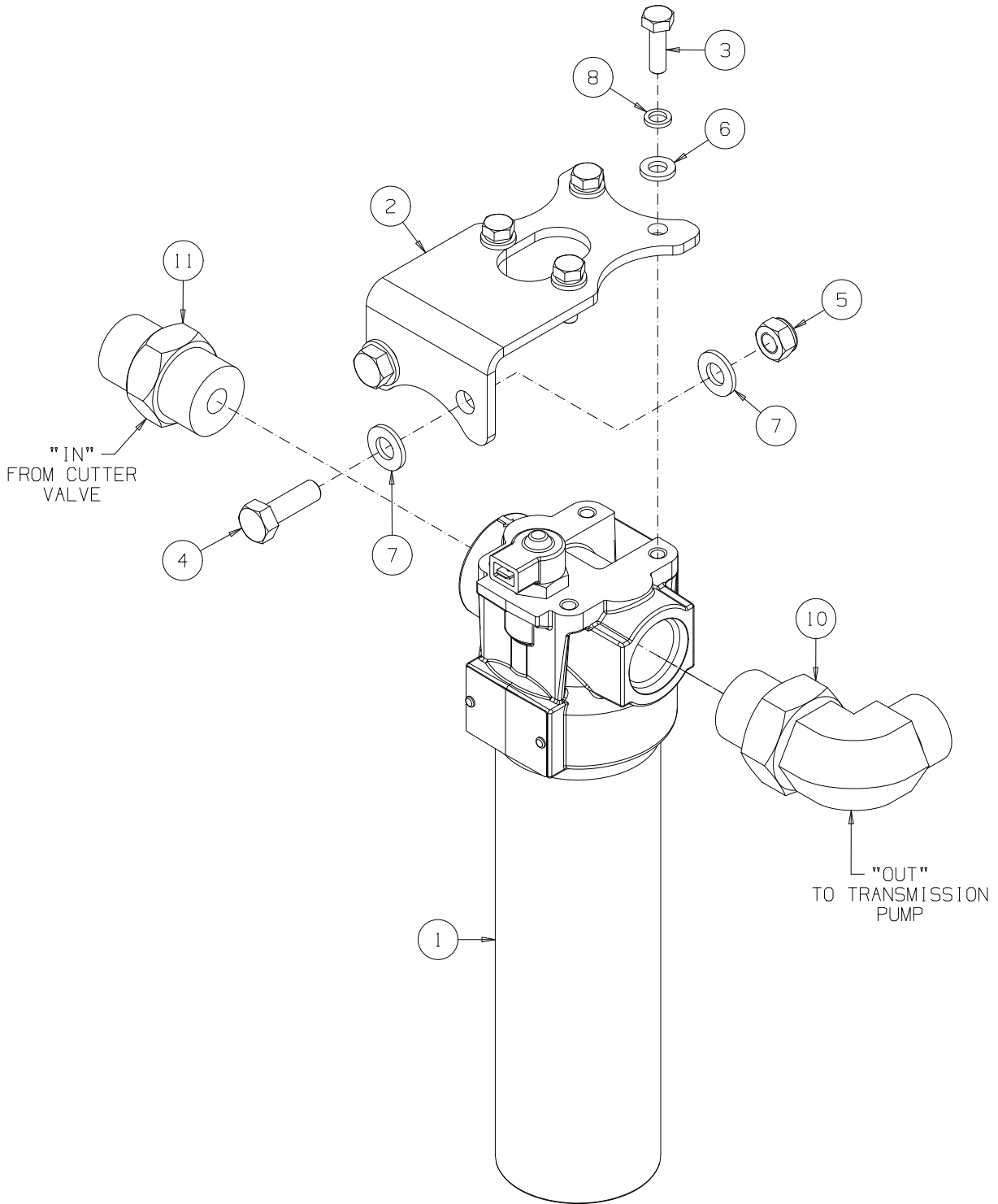
6.7 TRANSMISSION VALVE

ITEM	PART NO.	DESCRIPTION	QTY	
1	158006-11	FTG-M/M 1 ORS x 1-1/16 SAE	4	PARKER 10-12F5OLOS
3	158007-08	90 ELBOW-1-3/16 ORFS x 1-5/16 SAE	1	PARKER 12-16C5OMLOS
4	4207762	TRANSMISSION VALVE	1	
5	450191	Screw-HEX M8-1.25 x 20	3	
6	450411	LOCKWSHR-M8 x 12.75 x 2	3	
7	4224270	HOSE ASSY	1	TRANS PUMP A - TRANS VALVE REV
9	4224263	HOSE ASSY	1	LH REAR MTR TOP PORT - TRANS VALVE LRF
11	4241109	HOSE ASSY	1	RH FRT WHL MTR BTM PORT - TRANS VALVE RF
12	4241110	HOSE ASSY	1	RH REAR MTR TOP PORT - TRANS VALVE RRF
13	4241111	HOSE ASSY	1	RH REAR MTR BTM PORT - TRANS VALVE RRR
14	158006-08	FTG-M/M 1-3/16 ORS x 1-1/16 SAE	1	
15	158059-02	45 M/M-1.1/16 SAE x 1.3/16 ORFS	1	

* Not illustrated

6.8 HYDRAULIC FILTER

Illustration Number: 4193003



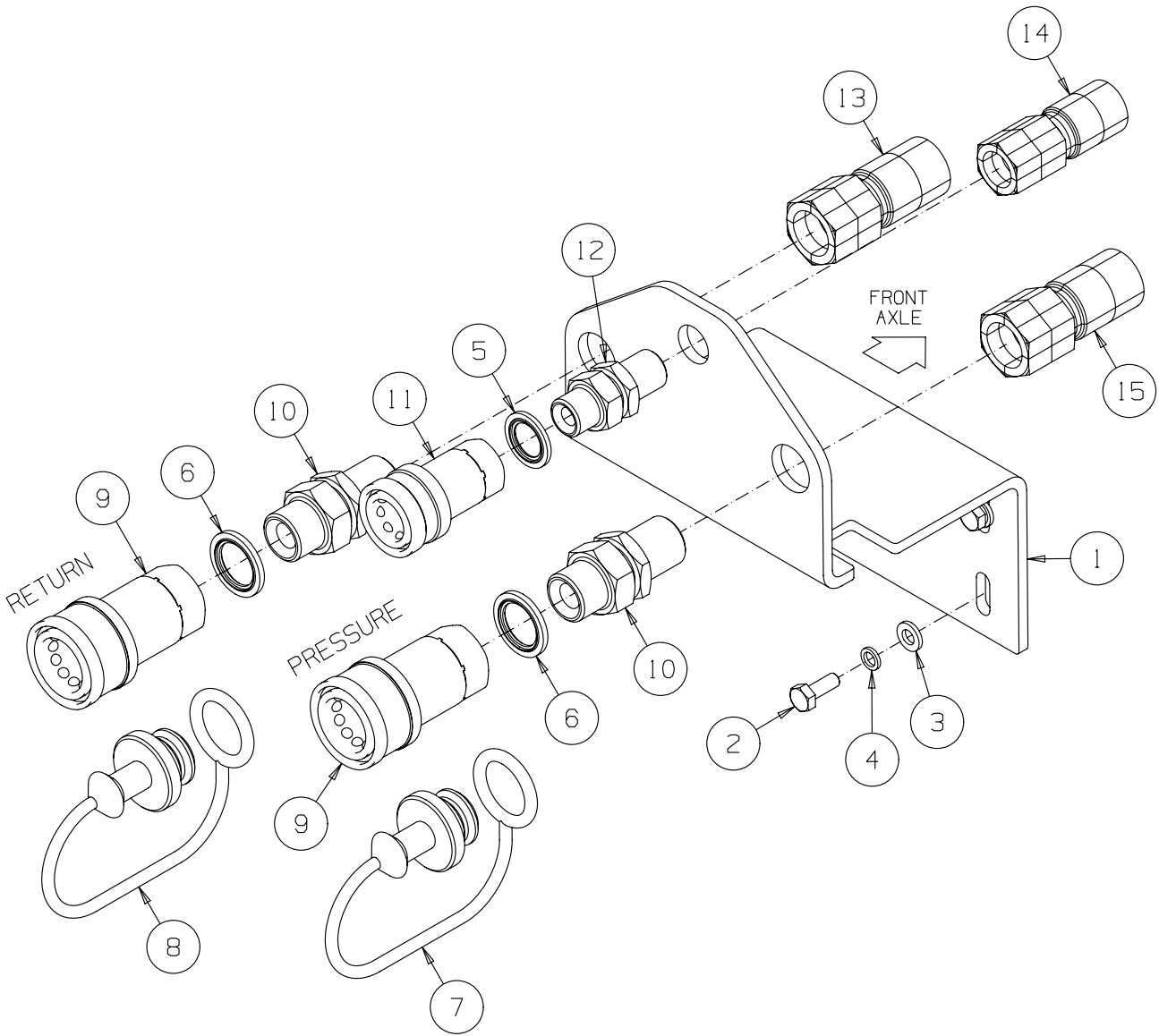
6.8 HYDRAULIC FILTER

ITEM	PART NO.	DESCRIPTION	QTY.	
1	4198060	Filter-Hyd	1	
*	4199061	♦Filter Element, 10 Micron Absolute	1	
2	4204821	Bracket-Filter Mtg	1	
3	450171	Screw-Hex M6 x 20	4	
4	450192	Screw-Hex M8 x 25	2	
5	450378	Nut-Hex M8 Nyloc	2	
6	450389	Wshr-M6 x 12.5 x 1.8	4	
7	450390	Wshr-M8 x 17 x 1.8	4	
8	450410	Lockwshr-M6 x 9.6 x 1.6	4	
10	158007-06	90-M/M 1 ORFS x 1.1/16 SAE	1	
*	158061-08	• O Ring (For 1 UNF)	1	
*	002218120	• O Ring (For 1.1/16 UNF)	1	
11	158006-11	Ftg-M/M 1 ORFS x 1.1/16 SAE	1	
*	158061-08	• O Ring (For 1 UNF)	1	
*	002218120	• O Ring (For 1.1/16 UNF)	1	

* Not illustrated

6.9 QRC BULKHEAD

Illustration Number: 4230451



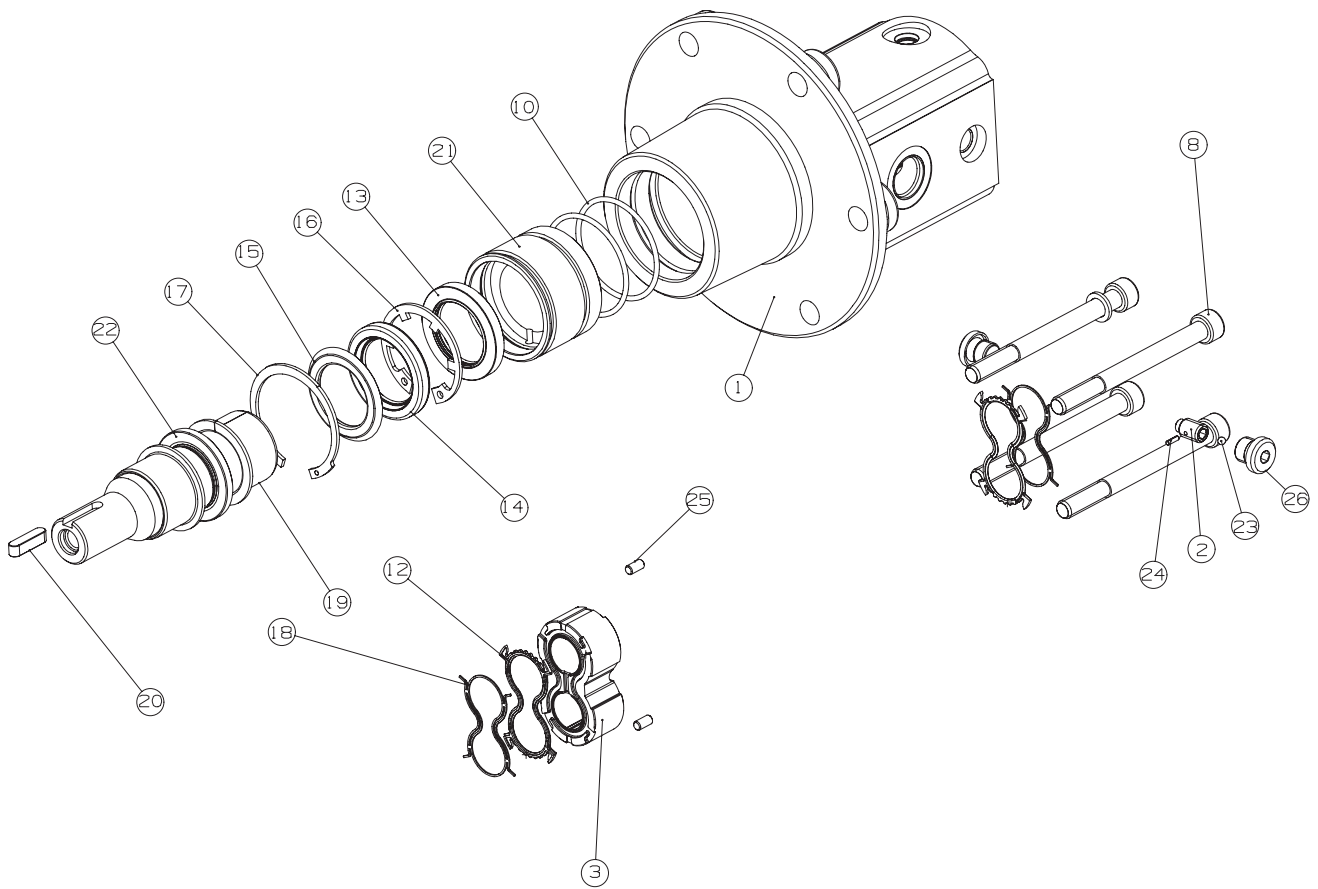
6.9 QRC BULKHEAD

ITEM	PART NO.	DESCRIPTION	QTY.	
1	4170540	Bracket-Hyd Bulkhead	1	
2	450170	Screw-Hex M6-1.0 x 16, Gr 8.8	4	
3	450389	Wshr-M6 x 12.5 x 1.8	4	
4	450410	Lockwshr-M6 x 9.6 x 1.5	4	
5	002600640	3/8" BSP Dowty Seal	1	
6	002600850	1/2" BSP Dowty Seal	2	
7	4124085	QRC Bung (Red)	1	
8	4185262	QRC Bung (Yellow)	1	
9	990010705	QRC-1/2" BSPP Female	2	
10	4163526	1/2" BSPP Bulkhead Adaptor	2	
*	870000099	• Seal	2	1/2" BSP
11	4163524	QRC-3/8" BSPP Female	1	
12	4163523	3/8" BSPP Bulkhead Adaptor	1	
*	870000081	• Seal	2	3/8" BSP
13*	4163588	Hose Assy	1	Cutter Valve M2 to Frt Blkhd "Return"
14*	4163589	Hose Assy	1	QRC Bulkhead to Drain Manifold
15*	4241102	Hose Assy	1	Cutter Valve M1 to Frt Blkhd "Pressure"

* Not illustrated

6.10 CASAPPA DECK MOTOR (4177941)

Illustration Number: 4118247



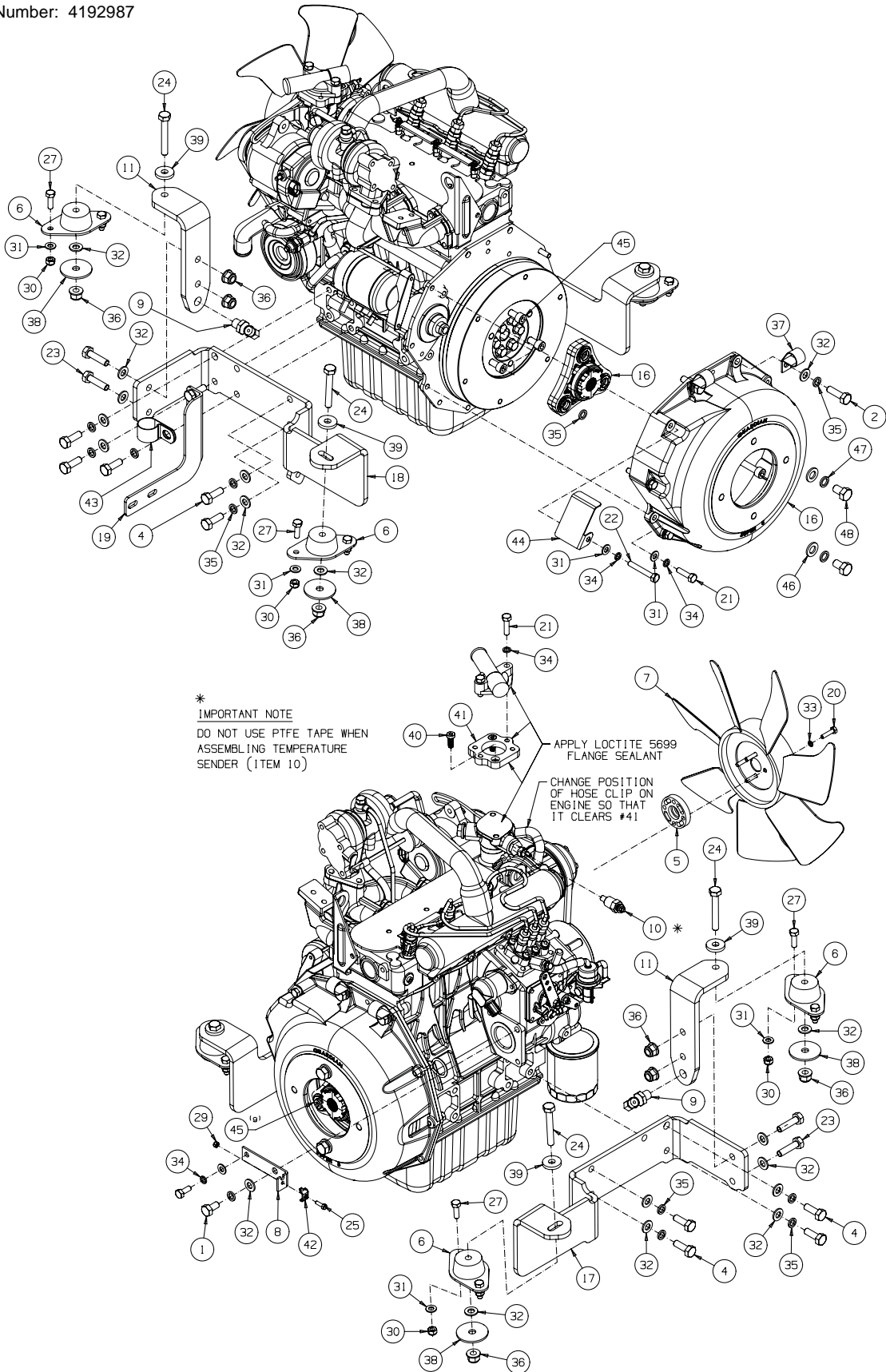
6.10 CASAPPA DECK MOTOR (4177941)

ITEM	PART NO.	DESCRIPTION	QTY.	
	4177941	Hydraulic Motor	1	Casappa
1		• Front Cover	1	
2		• Check Valve Body	1	
3		• Thrust Plate	1	
4		• Thrust Plate	1	
5		• Thrust Plate	1	
6		• Drive shaft	1	
7		• Driven gear	1	
8		• Screw	4	
9		• Washer	4	
10		• Seal	2	
11		• O Ring	1	
12		• Seal	2	
13		• Shaft Seal	1	
14		• Shaft Seal	1	
15		• Shaft Seal	1	
16		• Steel Ring	1	
17		• Steel Ring	1	
18		• Anti Extrusion Ring	2	
19		• Sleeve Bearing	2	
20		• Key	1	
21		• Sleeve Bearing Holder	1	
22		• Support Shaft	1	
23		• Ball	1	
24		• Dowl Pin	1	
25		• Dowl Pin	2	
26		• Steel Plug	2	
27		• Body	1	
	4177943	Seal Kit	1	

* Not illustrated

7.1 ENGINE AND MOUNTING

Illustration Number: 4192987



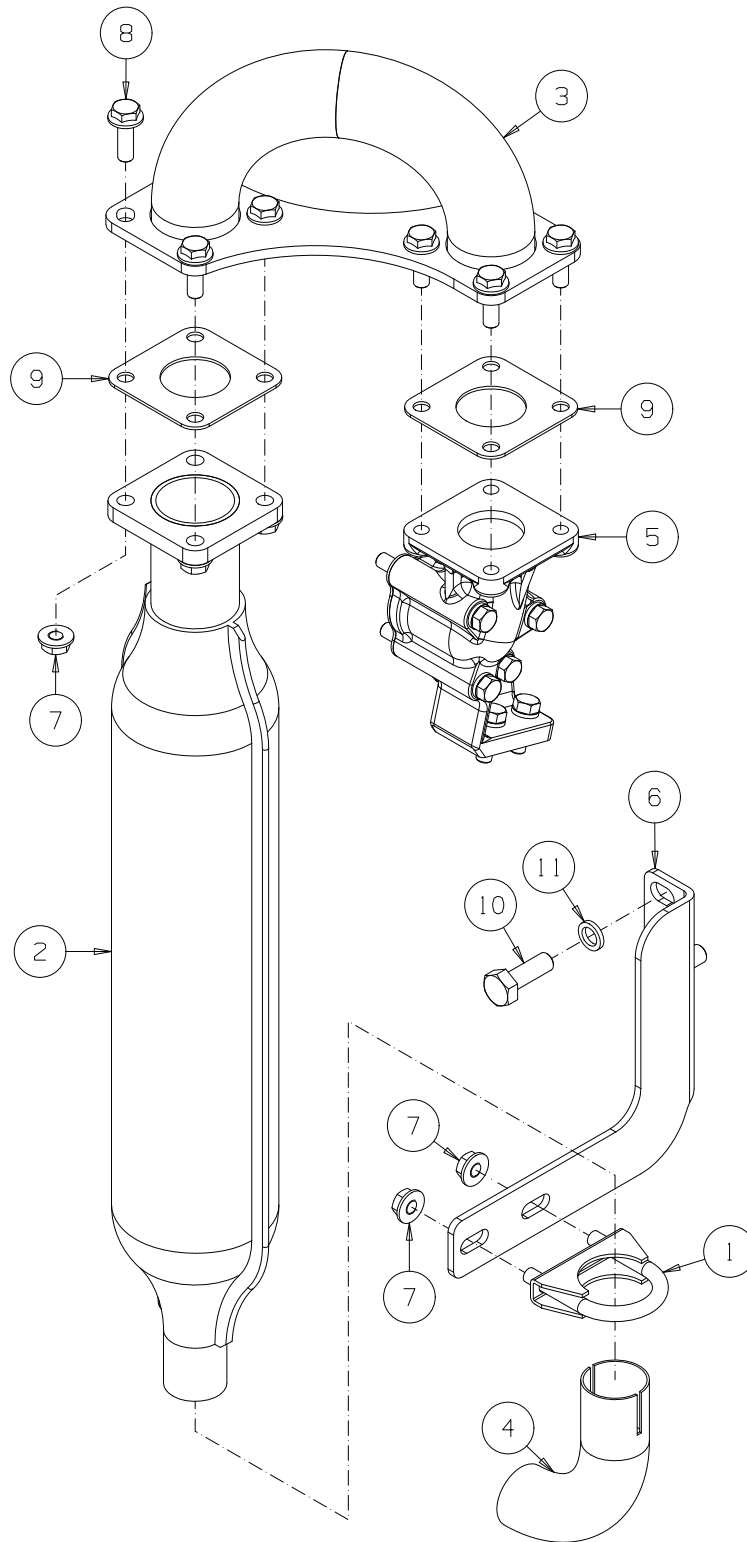
7.1 ENGINE AND MOUNTING

ITEM	PART NO.	DESCRIPTION	QTY.	
1	001190327	Screw-Hex M10-1.25 x 20	1	
2	001191520	Screw-Hex M10-1.25 x 35	2	
3	001290140	CapScrew-Sckt M10-1.25 x 30	3	
4	006820550	Screw-Hex M10-1.25 x 30	10	
5	006822150	Fan Spacer-10 mm	1	
6	2218010	Isolation Mount	4	
7	4130987	Fan-370 Dia, 7 Blade	1	
8	4137049	Throttle Bracket	1	To S/N JD000437 & JE100300
8	MBG2027A	Throttle Bracket	1	From S/N JD000438 & JE100301
9	4140337	90 Blkhd-9/16 ORFS	2	
10	4143246	Temperature Sender	1	
11	4150877	Mount-Engine, Rear	2	
15	4174101	Engine-Kubota D1105T	1	
16	4196201	Kit-Bell Housing and Coupling	1	
*	4196203	Coupling	1	
17	4198720	Bracket-Engine Mount LH	1	
18	4198780	Bracket-Engine Mount RH	1	
19*	4204661	Bracket-Exhaust	1	To S/N JD000384 and JE000300
19	4252553	Bracket-Exhaust Mtg	1	From S/N JD000385 and JE000301
20	450000	Bolt-Hex M6 x 25	4	
21	450014	Bolt-Hex M8 x 30	7	
22	450019	Bolt-Hex M8 x 55	2	
23	450030	Bolt-Hex M10 x 40	4	
24	450036	Bolt-Hex M10 x 70	4	
25	450151	Screw-Hex M5 x 16	1	
26	450191	Screw-Hex M8 x 20	1	
27	450192	Screw-Hex M8 x 25	9	
28	450193	Screw-Hex M8 x 30	2	To S/N JD000384 and JE000300
29	450376	Nut-Hex M5 Nyloc	1	
30	450378	Nut-Hex M8 Nyloc	8	
31	450390	Wshr-M8 x 17 x 1.8	17	
32	450391	Wshr-M10 x 21 x 2.2	19	
33	450410	Lockwshr-M6 x 9.6 x 1.6	4	
34	450411	Lockwshr-M8 x 12.75 x 2.1	11	
35	450412	Lockwshr-M10 x 15.9 x 2.65	16	
36	452437	Nut-Hex M10 Flng Nyloc	8	
37	469016509	P-clip	2	
38	64163-27	Wshr-.453 x 2 x 11GA	4	
39	MBE4682	Wshr-11 x 30 x 5	4	
40	MBG4067	Screw-Thermo Hsg	2	To S/N JD000437 & JE000300
40	4285631	CapScrew-Hex Sckt M8-1.25 x 20	2	From S/N JD000438 & JE000301
41	LMSE210	Kit-Thermo Hsg Spacer & Screws	1	
42	W022372	Throttle Clamp	1	
43	48228-06	P-clip, 1.23" dia	1	
44	4236833	Cable Heat Shield	1	
45	4177860	CapScrew-Hex Sckt M10-1.25 x 40	3	From S/N JD000438 & JE000301
46	450392	Wshr-M12 x 24 x 2.7	2	From S/N JD000438 & JE000301
47	450413	Lockwshr-M12 x 17.9 x 2.5	2	From S/N JD000438 & JE000301
48	450239	Screw-Hex M12-1.75 x 20, Gr 8.8	2	From S/N JD000438 & JE000301

* Not illustrated

7.2 TURBO ENGINE EXHAUST

Illustration Number: 4230442-2



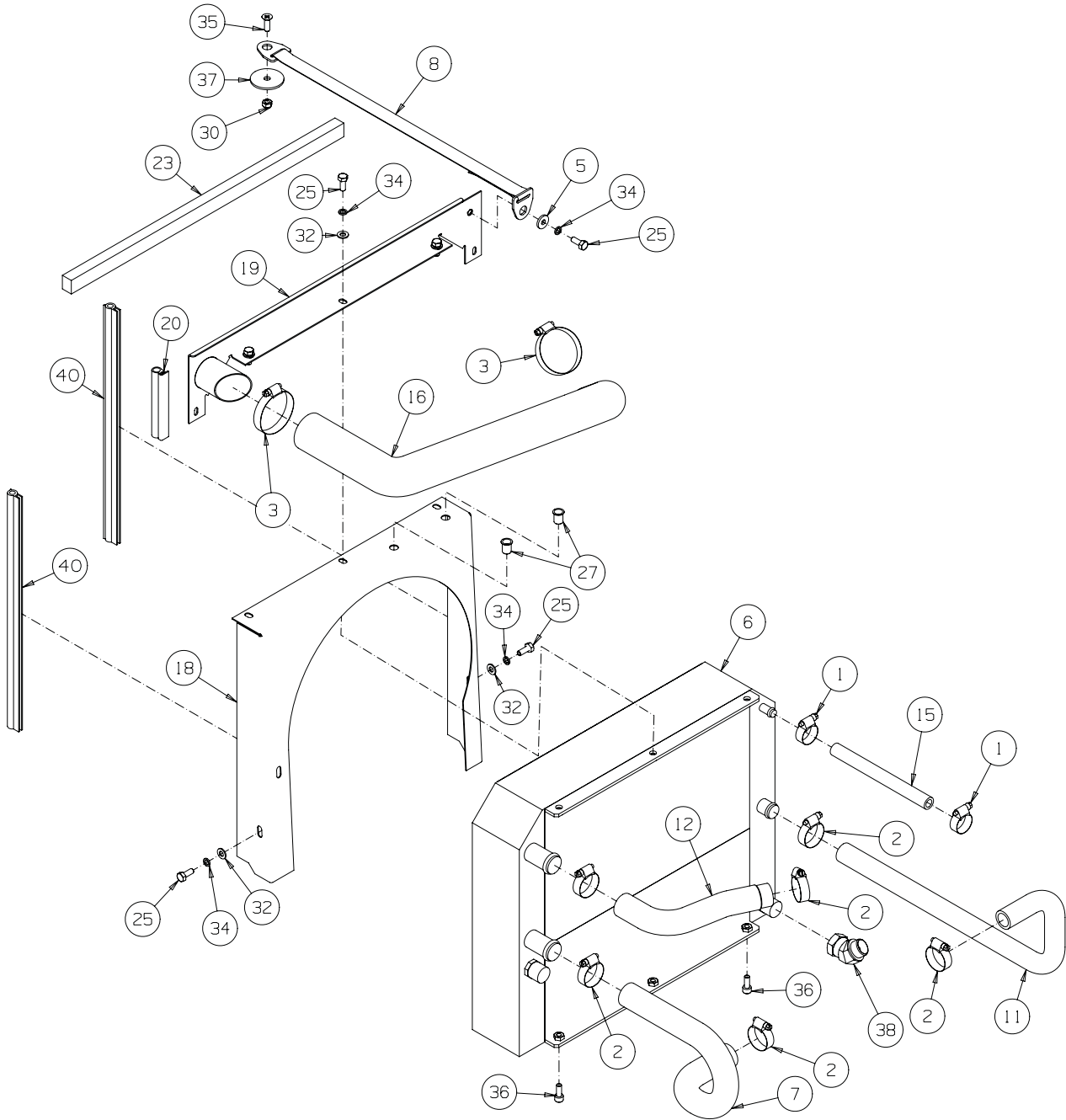
7.2 TURBO ENGINE EXHAUST

ITEM	PART NO.	DESCRIPTION	QTY.	
1	001990072	U-clamp, 1.1/2"	1	
2	4174421	Muffler	1	
3*	4202882	Wldmt-Exhaust Pipe, Turbo	1	To S/N JD000384 and JE000300
3	4252540	Wldmt-Turbo Exhaust Mtg	1	From S/N JD000385 and JE000301
4	4208280	Tailpipe	1	
5	4150357	Kit-Exhaust Flange	1	
6*	4204661	Bracket-Exhaust	1	To S/N JD000384 and JE000300
6	4252553	Wldmt-Turbo Exhaust Mtg	1	From S/N JD000385 and JE000301
7	450453	Nut-Hex M8 Verbus Ripp	6	
8	450472	Screw-Hex M8 x 25 Verbus Ripp	8	
9	553020	Gasket, Muffler	2	
10	006820550	Screw-Hex M10-1.25 x 30, Gr 8.8	2	
11	450412	Lockwshr-M10 x 15.9 x 2.5	2	

* Not illustrated

7.3 RADIATOR

Illustration Number: 4193013-2



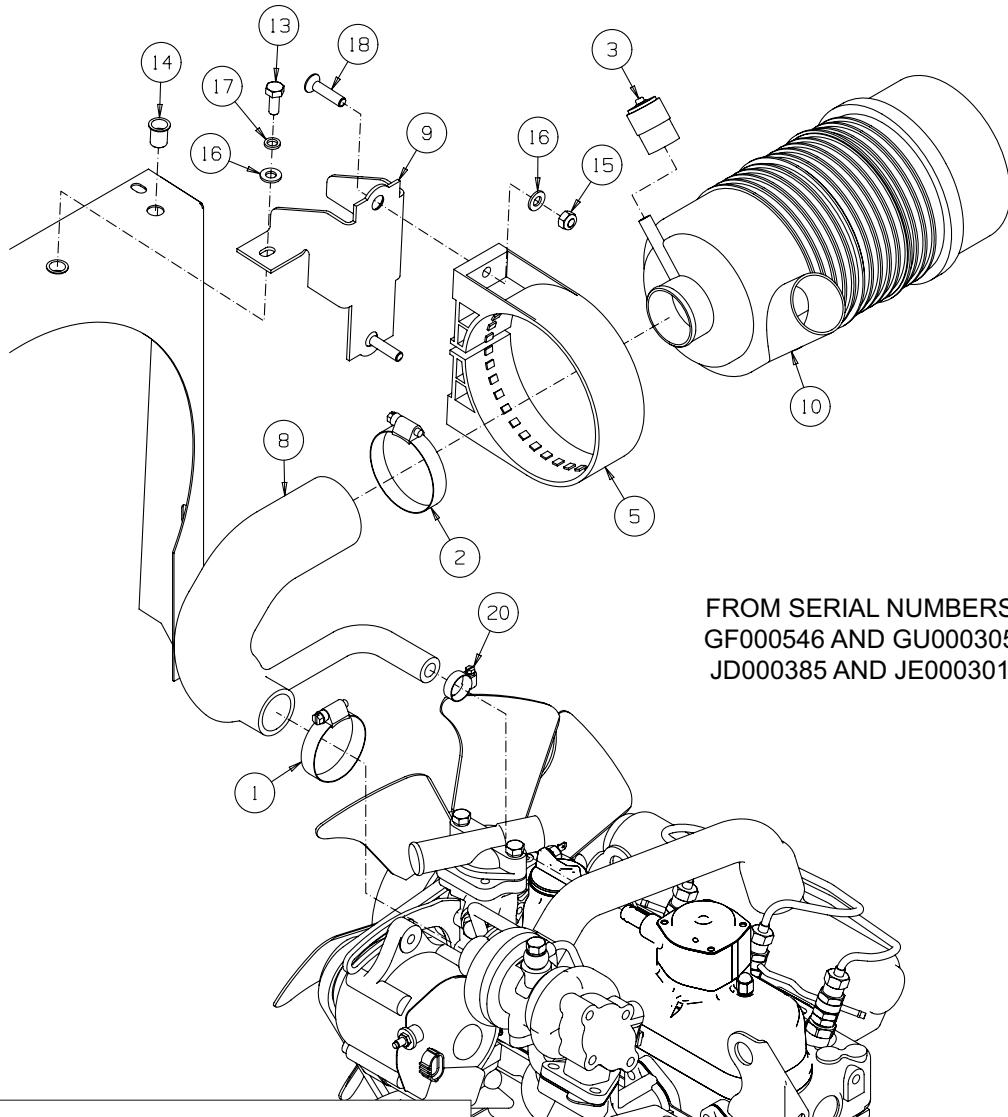
7.3 RADIATOR

ITEM	PART NO.	DESCRIPTION	QTY.	
1	001925320	Hose Clamp, 13-32	2	
2	001925400	Hose Clamp, 19-40	6	
3	001925700	Hose Clamp, 23-70	2	
4	009001800	Bugscreen	1	
5	009072070	Wshr-M8 x 22 x 3	1	
6	4130963	Asm-Radiator/Cooler	1	
7	4268191	Hose-Lower Radiator	1	
8	4139965	Lanyard	1	
9	4153537	Wldmt-Radiator Frame LH	1	
10	4153538	Wldmt-Radiator Frame RH	1	
11	4157740	Hose-Expansion Tank	1	
12	4225960	Hose-Upper Radiator	1	
13	4161441	Radiator Surround Seal	2	
14	4162760	Radiator Chassis Seal	2	
15	4163951	Hose-1/2" bore x 0.7 m	1	
16	4169140	Hose-Air Intake	1	
17	4223380	Wldmt-Radiator Support	1	
18	4223382	Shroud-Radiator	1	
19	4224521	Wldmt-Radiator Top Surround	1	
20	4225420	Seal-Edge, 120 mm long	1	
21	4225421	Seal-Foam, 180 mm long	1	
22	4225422	Seal-Foam, 300 mm long	1	
23	4225423	Seal-Foam, 580 mm long	1	
24	450170	Screw-Hex M6 x 16	8	
25	450191	Screw-Hex M8 x 20	9	
26	450192	Screw-Hex M8 x 25	4	
27	450369	M8 Nutsert	5	
28	450370	M8 Nutsert	2	
29	450377	Nut-Hex M6 Nyloc	2	
30	450378	Nut-Hex M8 Nyloc	1	
31	450389	Wshr-M6 x 12.5 x 1.8	10	
32	450390	Wshr-M8 x 17 x 1.8	12	
33	450410	Lockwshr-M6 x 9.6 x 1.5	6	
34	450411	Lockwshr-M8 x 12.75 x 2	13	
35	450634	Screw-Csk M8 x 25	1	
36	450723	CapScrew-Sckt M8 x 20	2	
37	64163-17	Wshr-25/64 x 2 x 11g	1	
38	4167623	Ftg-3/4" BSP M x Swivel F 45 Deg	1	
*	870000104	• Seal	1	3/4" BSP
39	031955320	Black Silicon Sealant	A/R	Not Illustrated
40	4227620	Seal-Edge, 430mm long	2	
41	4230760	Edge Seal 144mm long	2	

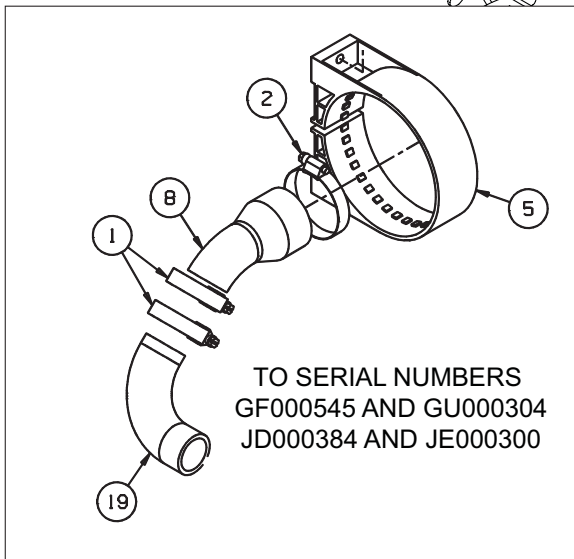
* Not illustrated

7.4 AIR CLEANER MOUNTING

Illustration Number: 4230453-2



FROM SERIAL NUMBERS
GF000546 AND GU000305
JD000385 AND JE000301



TO SERIAL NUMBERS
GF000545 AND GU000304
JD000384 AND JE000300

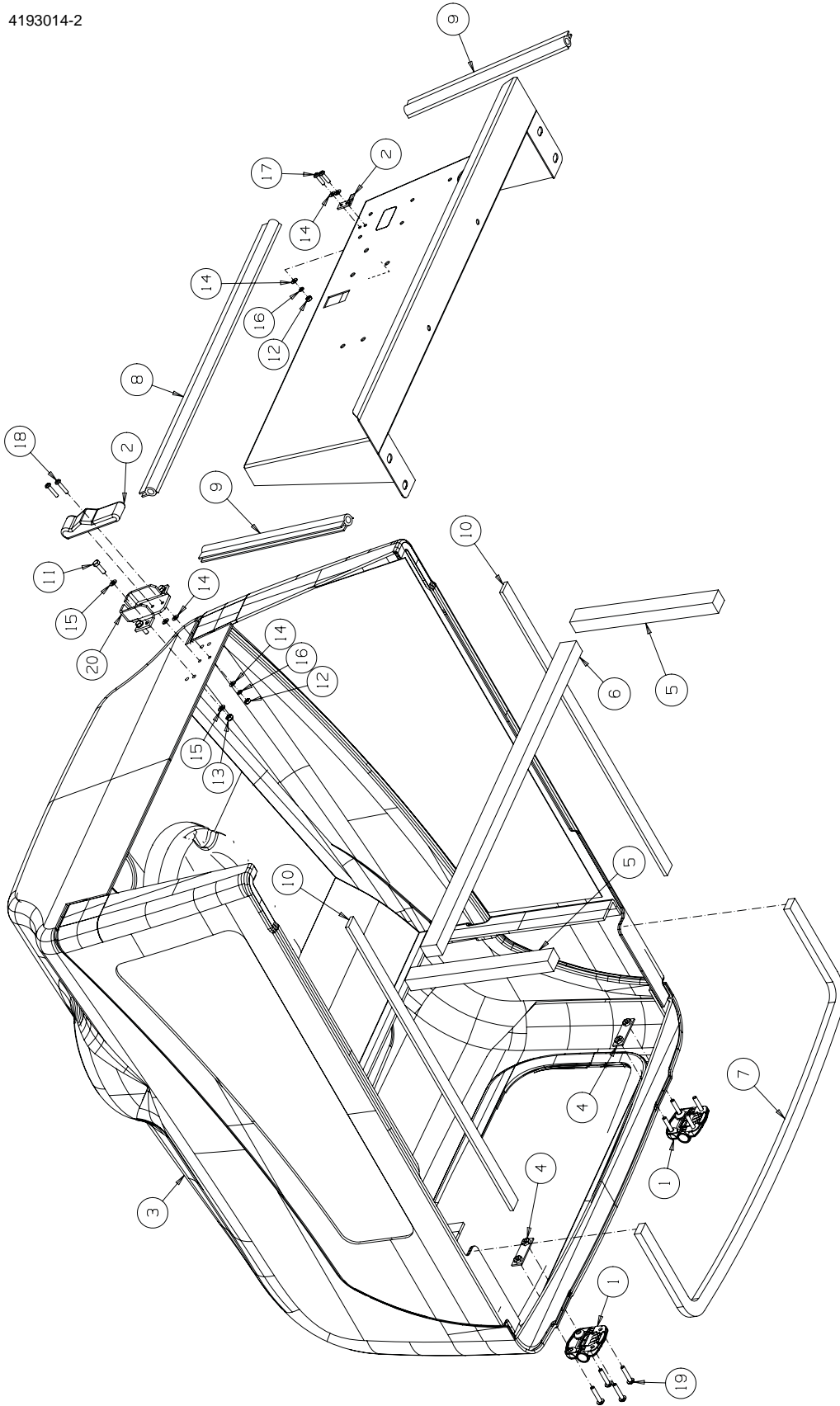
7.4 AIR CLEANER MOUNTING

ITEM	PART NO.	DESCRIPTION	QTY.	
1	001925570	Hose Clamp, 34-57	1	
2	001925700	Hose Clamp, 23-70	1	
3	008109680	Restriction Indicator	1	
5	4133245	Mounting Band 5" Plastic	1	
7				
8	4181280	Hose-Engine Air Intake-Upper	1	To S/N JD000384 and JE000300
8	4251385	Hose-Engine Air Intake	1	From S/N JD000385 and JE000301
9	4154280	Bracket-Air Cleaner	1	
10	4155780	Air Cleaner (Straight Outlet)	1	
*	2198147-02	• Valve-Dust Unloader	1	
*	2198147-03	• Cover	1	
*	2198147-04	• Cover Clip	2	
*	4155781	• Element	1	
13	450191	Screw-Hex M8-1.25 x 20, Gr 8.8	2	
14	450369	M8-1.25 (A-L) Nutsert (0.7-3.8 G/L)	2	
15	450378	Nut-Hex M8-1.25, Gr 8, Nyloc	2	
16	450390	Wshr-M8 x 17 x 1.8	4	
17	450411	Lockwshr-M8 x 12.75 x 2	2	
18	450868	Screw-Csk Hex Sckt M8-1.25 x 35	2	
19	4181281	Hose-Engine Air Intake-Lower	1	To S/N JD000384 and JE000300
20	001925220	Hose Clamp, 8-22	1	From S/N JD000385 and JE000301

* Not illustrated

8.1 ENGINE HOOD

Illustration Number: 4193014-2



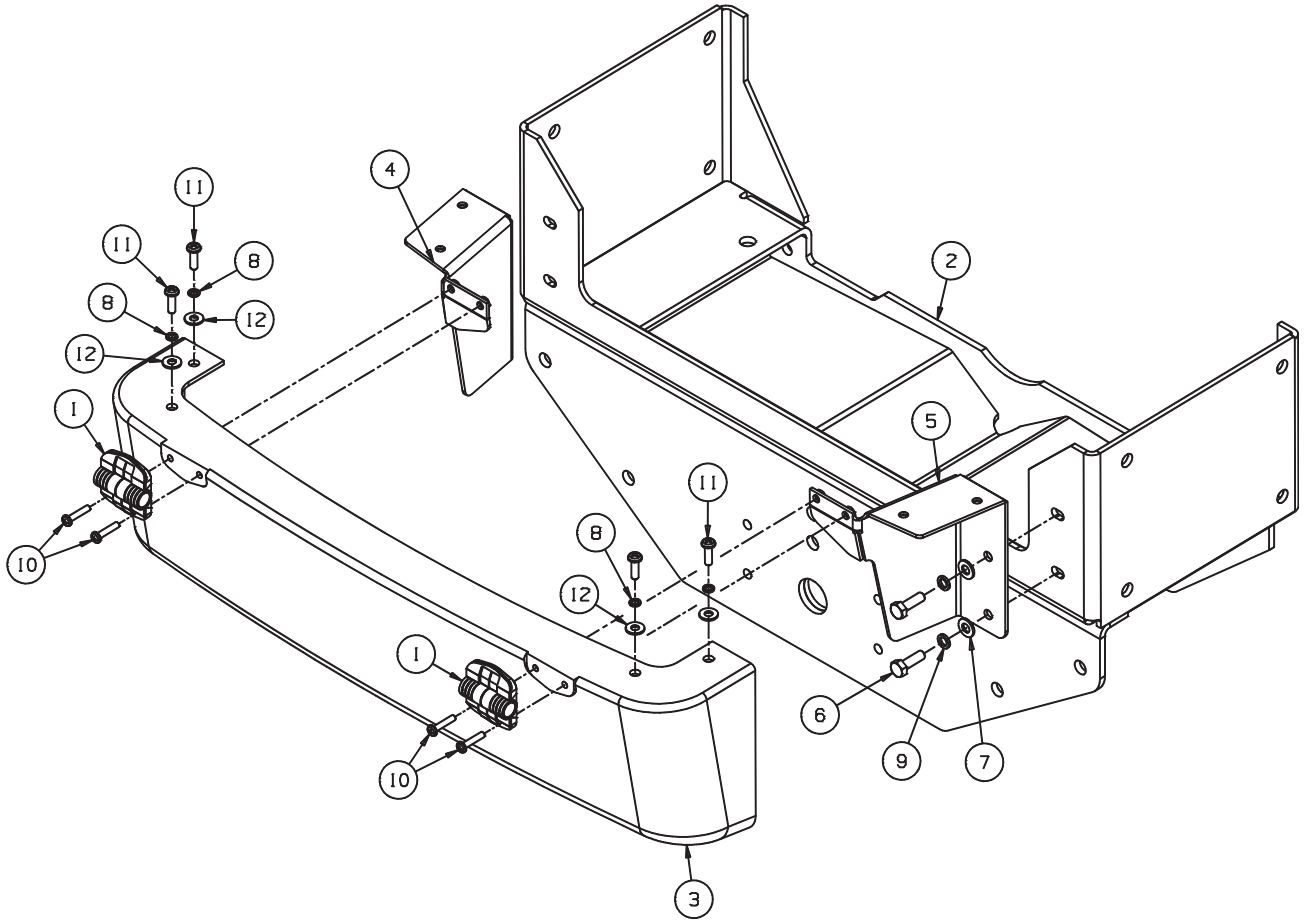
8.1 ENGINE HOOD

ITEM	PART NO.	DESCRIPTION	QTY.	
1	002991040	Hinge	2	
2	2198112	Latch	1	
3	4135098	Asm-Engine Hood (Green)	1	RANSOMES Branding
3	4135098.6	Asm-Engine Hood (Orange)	1	JACOBSEN Branding
4	4164402	Wldmt-Brace Bonnet Fastening	2	
5	4225424	Seal-Foam, 220 mm Long	2	
6	4225425	Seal-Foam, 590 mm Long	1	
7	4225560	Seal-Foam, 950 mm Long	1	
8	4225680	Seal-Edge, 520 mm Long	1	
9	4225681	Seal-Edge, 265 mm Long	2	
10	4225740	Seal-Foam, 510 mm Long	2	
11	450151	Screw-Hex M5 x 16	4	
12	450321	Nut-Hex M4	4	
13	450376	Nut-Hex M5 Nyloc	4	
14	450387	Wshr-M4 x 9 x 0.9	8	
15	450388	Wshr-M5 x 10 x 1.1	8	
16	450408	Wshr-SLW M4	4	
17	450519	Screw-Pan Hd M4 x 16	2	
18	450520	Screw-Pan Hd M4 x 20	2	
19	450530	Screw-Pan Hd M5 x 25	8	
20	MBG6720	Brkt, Hood Latch	1	

* Not illustrated

8.2 LOWER COVER

Illustration Number: 4156283-2



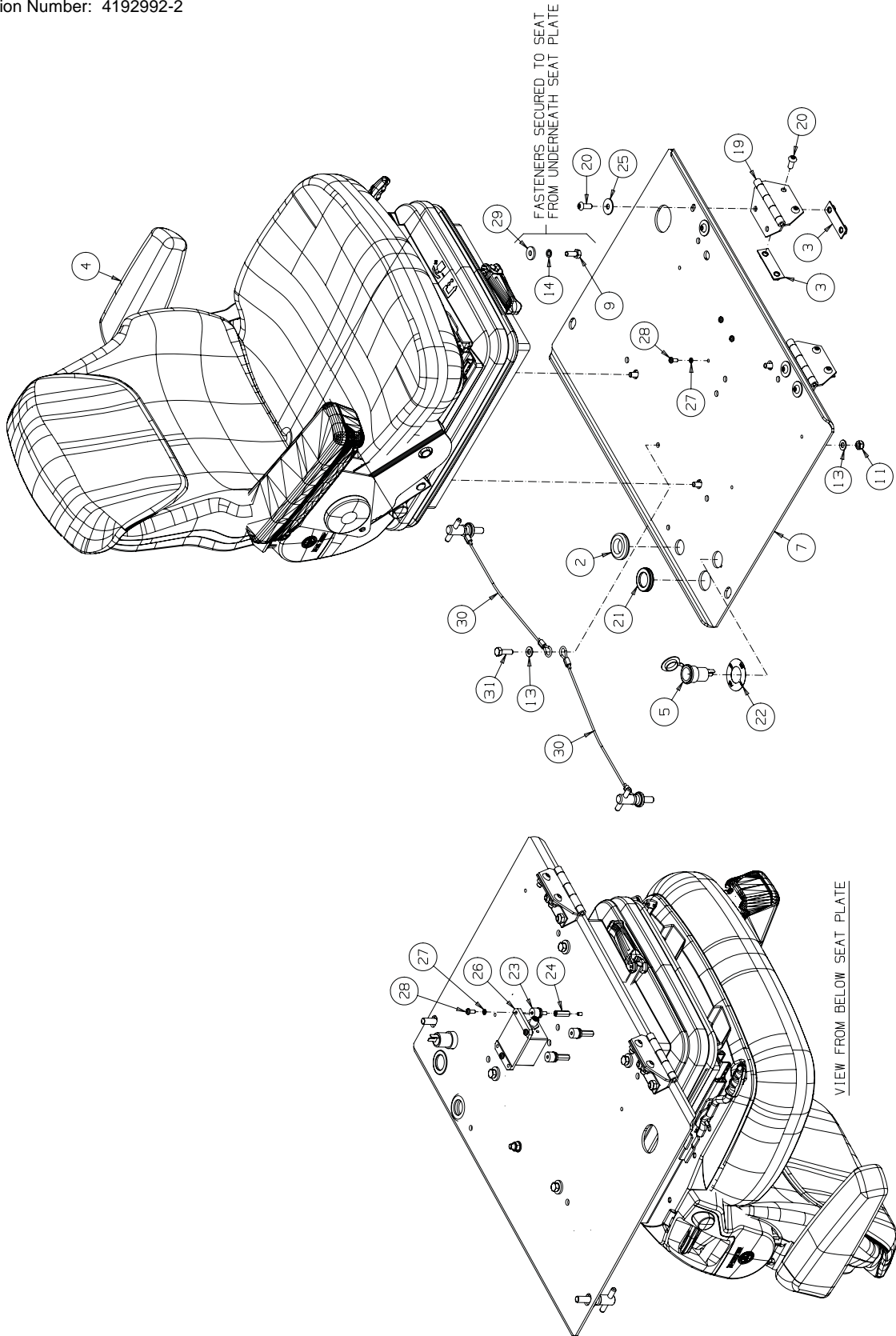
8.2 LOWER COVER

ITEM	PART NO.	DESCRIPTION	QTY.	
1	002991040	Hinge	2	
2	4150460	Wldmt-Rear Frame	1	
3	4155886	Cover-Lower	1	
4	4156100	Wldmt-Hinge Bracket LH	1	
5	4156101	Wldmt-Hinge Bracket RH	1	
6	450192	Screw-Hex M8 x 25	4	
7	450390	Wshr-M8 x 17 x 1.8	4	
8	450410	Wshr-SLW M6	4	
9	450411	Wshr-Slw M8	4	
10	450530	Screw-Pan Hd M5 x 25	4	
11	450542	Screw-Pan Hd M6 x 20	4	
12	452100019	Wshr-1/4 x 5/8 x .064	4	

* Not illustrated

14.1 SEAT AND MOUNTING

Illustration Number: 4192992-2

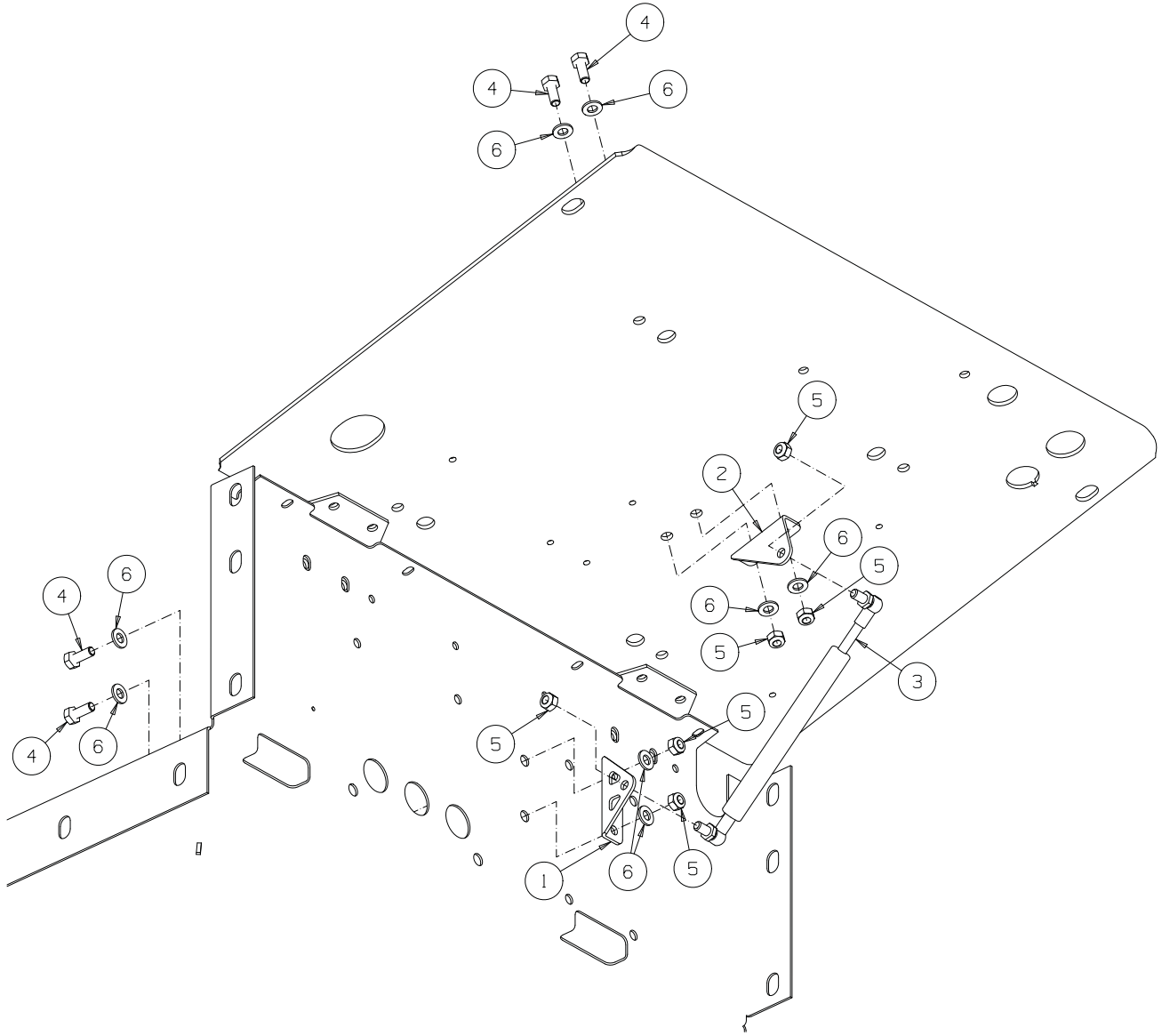


14.1 SEAT AND MOUNTING

ITEM	PART NO.	DESCRIPTION	QTY.	
2	002953420	Grommet-25.4 x 44.5 x 9.9	1	
3	4118558	Wldmt-Keep Plate	4	
4	4140320	Seat-Grammer MSG85	1	
5	4138885	Accessory Socket-Large	1	
7	4210204	Seat Plate	1	
8	450149	Screw-Hex M5 x 12	1	
9	450191	Screw-Hex M8 x 20	5	
11	450378	Nut-Hex M8 Nyloc	2	
13	450390	Wshr-M8 x 17 x 1.8	4	
14	450411	Lockwshr-M8 x 12.75 x 2.1	4	
19	MBG2013.07	Hinge-Seat Plate	2	
20	4142288	Screw-Pan Hd M8 x 20 Torx	8	
21	002953320	Grommet	1	
22	4164660	Decal-Auxiliary Power Socket 12V	1	
24	4205842	Spacer-Hex M5 x 25	3	
25	MBC9297	Wshr-8.5 x 26.5 x 1.6	4	
27	450409	Lockwshr-M5 x 8.55 x 1.6	3	
28	450526	Screw-Pan Hd M5 x 12	3	
29	009072070	Wshr-M8 x 22 x 3	4	
30	4218740	Asm-M10 Bolt with Lanyard	2	
31	450192	Screw-Hex M8 x 25	1	
	LMAC401	Kit-TST (Tilt Sensor Technology)		
23	4205840	Anti-Vibration Mount	3	
26	4198284	Inclinometer	1	
27	450409	Lockwshr-M5 x 8.55 x 1.6	3	
28	450526	Screw-Pan Hd M5 x 12	3	

* Not illustrated

Illustration Number: 4193015



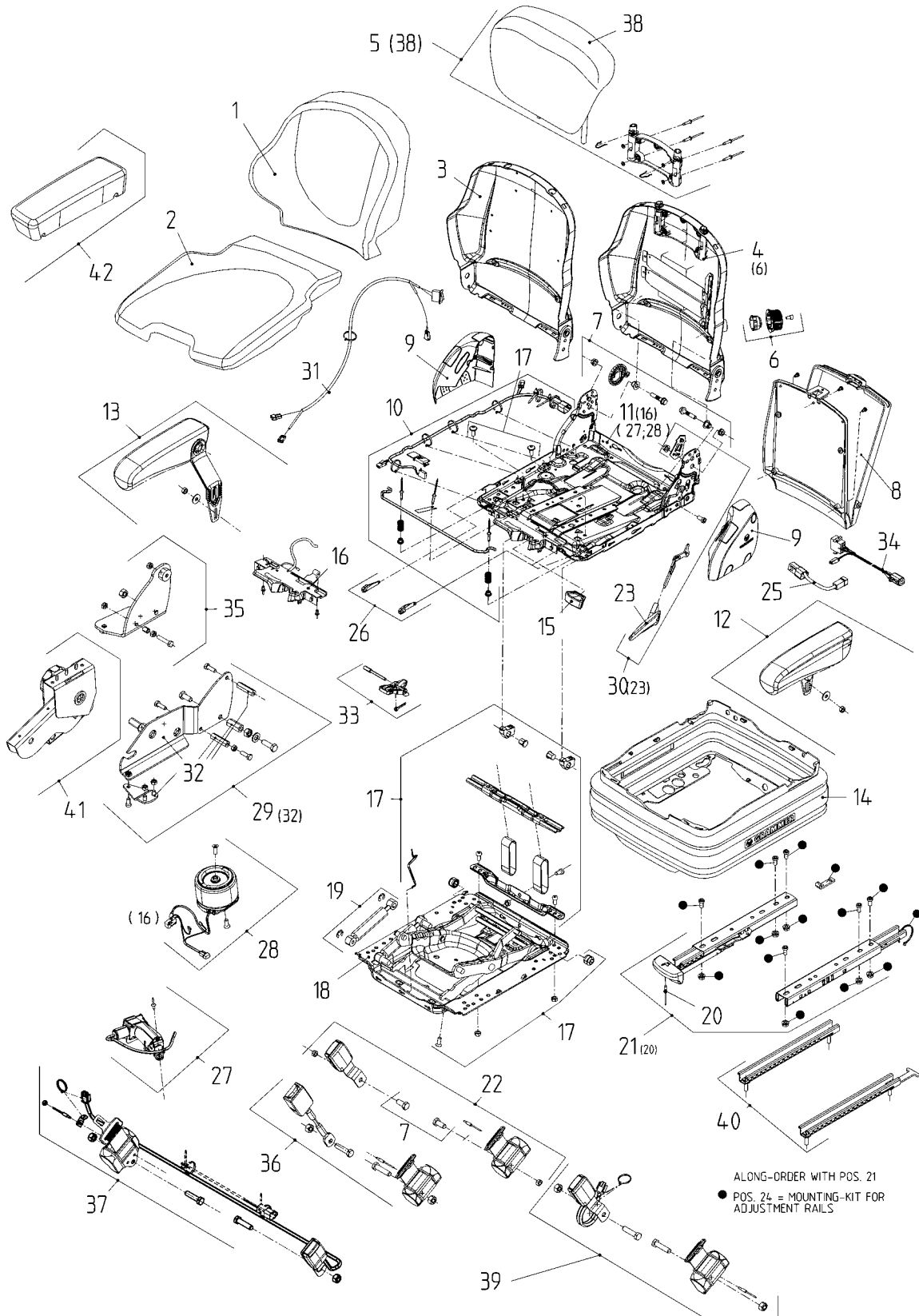
14.1 SEAT AND MOUNTING

ITEM	PART NO.	DESCRIPTION	QTY.	
1	4218600	Front Gas Strut Mount	1	
2	4218601	Seat Plate Gas Strut Mount	1	
3	4225281	Gas Strut	1	
4	450191	Screw-Hex M8 x 20	4	
5	450378	Nut-Hex M8 Nyloc	6	
6	450390	Wshr-M8 x 17 x 1.8	8	

* Not illustrated

14.1a GRAMMER MSG75 SEAT (4164150)

Illustration Number: 1123951 Air Sus Seat drawings



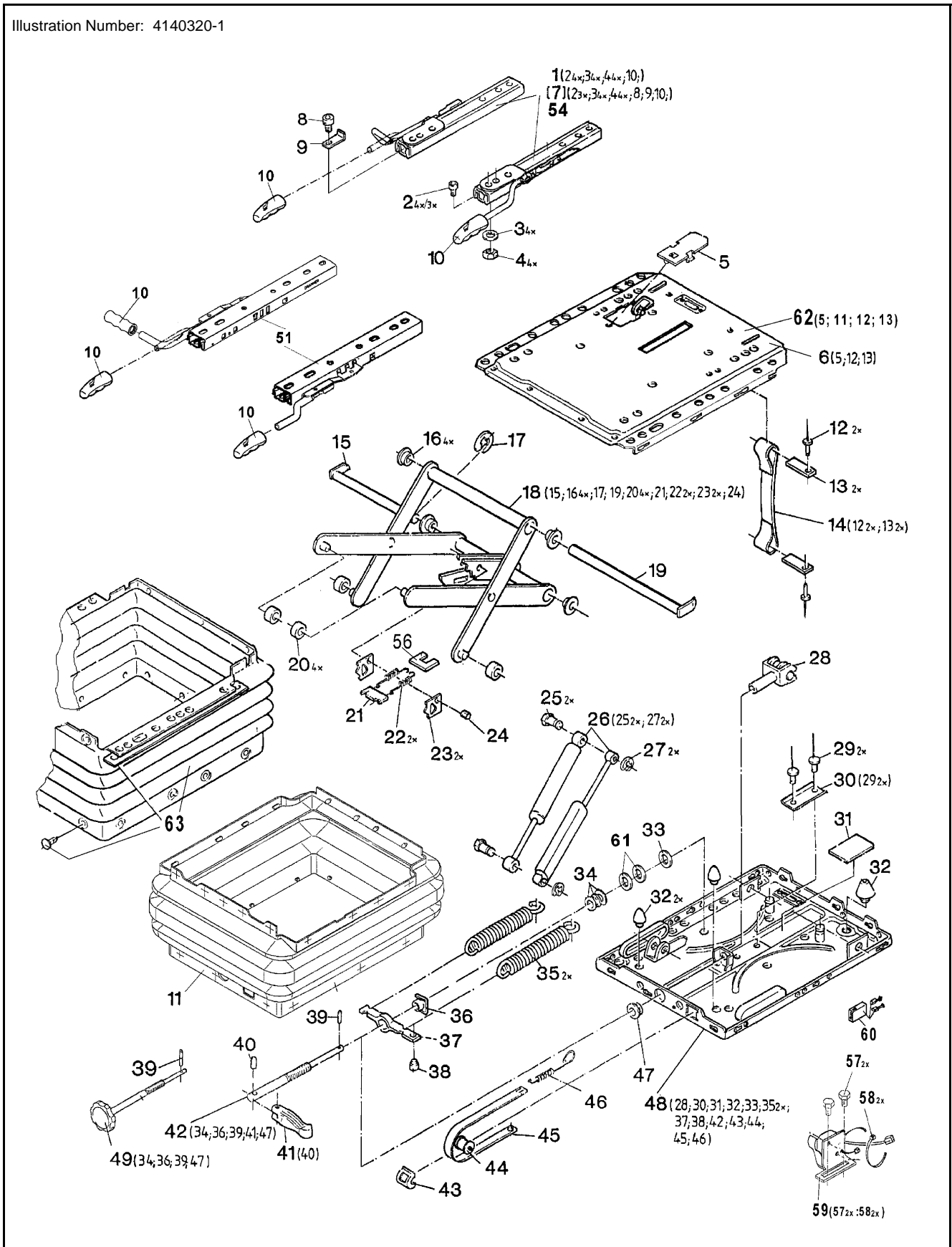
14.1a GRAMMER MSG75 SEAT (4164150)

ITEM	PART NO.	DESCRIPTION	QTY.
	4164150	Air Suspension seat with MFA	
1		• Backrest Cushion	1
1		• Backrest Cushion	1
1		• Cushion Kit,Back,Blk	1
1	4205281	• Cushion Kit,Back,Blk	1
2		• Seat Cushion	1
2		• Seat Cushion	1
2		• Cushion Kit,Seat,Blk	1
2	4205280	• Cushion Kit,Seat,Blk	1
4		• Backrest Kit	1
5		• Backrest Extension	1
5		• Backrest Ext Int Kit	1
6		• Handle Kit,Grey	1
7		• Fixing Parts Kit,Back	1
8		• Literature Box Kit	1
9		• Side Cover Kit	1
10	4228780	• Ops Switch Kit	1
11		• Suspension Msg75 12v	1
12		• Armrest Assy,A60/320	1
13		• Armrest Assy,A60/320	1
14		• Bellows	1
15		• Handle	1
16	4228080	• Housing	1
17		• Set Of Wearing Parts	1
18		• Swing Arm	1
19		• Shock Absorber Kit	1
20		• Handle Kit,Grey	1
21		• Set Of Adjustment Rails	1
22		• Seatbelt Kit,Duo,LH	1
23		• Handle	1
24		• Fixing Parts	1
27	4169180	• Compressor 12v	1
28	4228081	• Air Spring	1
29		• Armrest Support	1
30		• Backrest Adjustment	1
33		• Lever	1
35	4205282	• Headrest Cushion	1
38		• Backrest Extension,Bracket	1
38		• Backrest Extension	1
41		• Adjustment Unit	1
42		• RH Armrest	1
43		• RH Armrest / MFA	1

* Not illustrated

14.1b GRAMMER MSG85 SEAT (4140320)

Illustration Number: 4140320-1



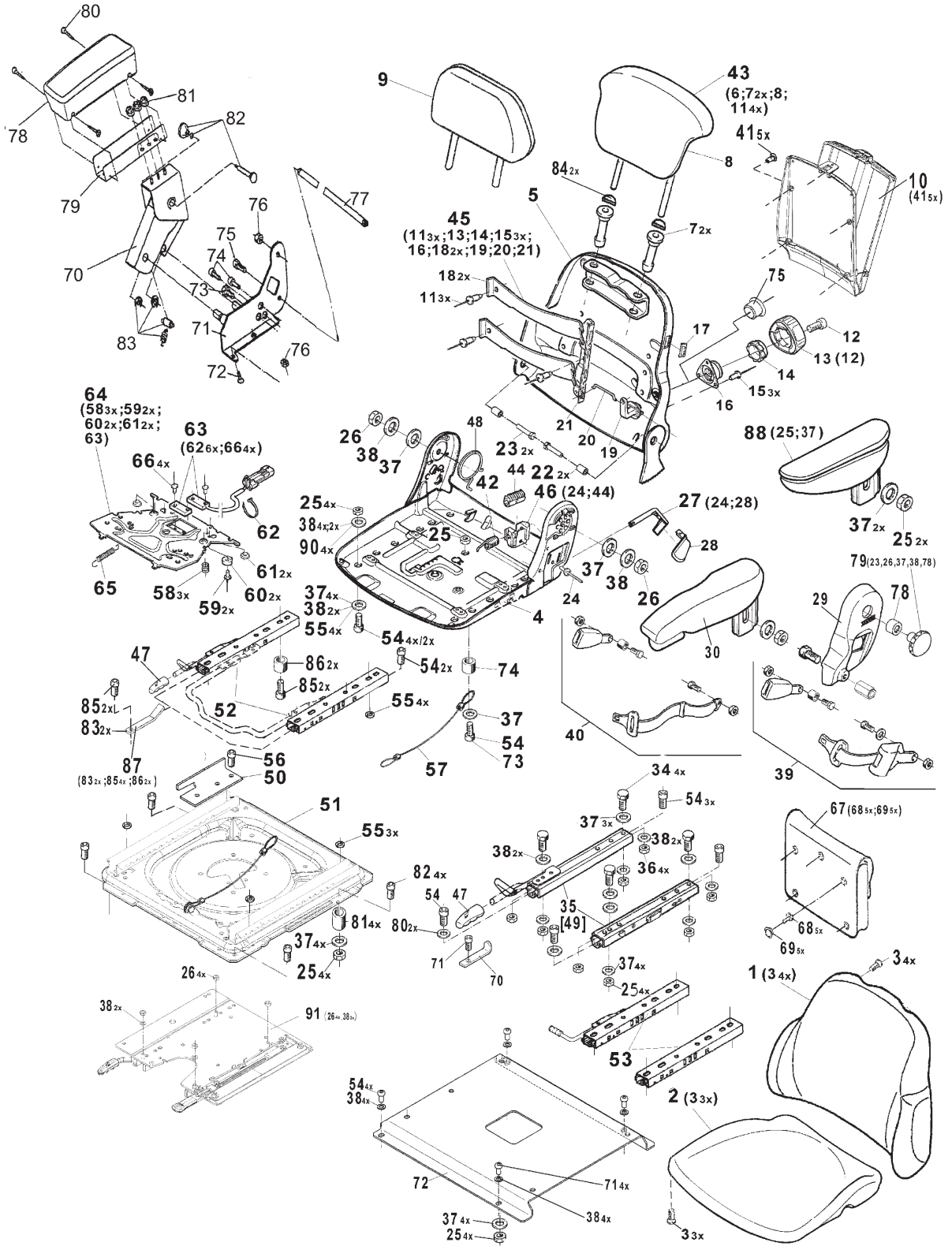
14.1b GRAMMER MSG85 SEAT (4140320)

ITEM	PART NO.	DESCRIPTION	QTY.	
	4140320	Mechanical Suspension seat with MFA	1	
5	008173680	• Cover	1	
6		• Kit, Suspension Upper	1	
11		• Kit, Bellow	1	
15	008173790	• Bolt	1	
16	008173800	• Bushing	4	
18	008199900	• Swing Arm Kit	1	
19		• Bolt	1	
20	008173780	• Roller	4	
21	008173820	• Plate	1	
22		• Tension Spring	2	
23	008173830	• Release Plate	2	
24	008173840	• Bolt	1	
25	008173710	• Bolt, M8 x 22, Yellow	2	
26	008199680	• Kit, Shock Absorber, S	1	
27	008173720	• Washer, Retaining, 5 mm	2	
28	4197064	• Fork	1	
29	008173740	• Rivet, 4.0 x 10.0	2	
30		• Bracket, U-Shaped Pro	1	
31	008173760	• Rubber Plate	1	
32	008173730	• Bumper Set	1	
33	008173870	• Thrust Washer Kit	1	
35	008144410	• Spring, Tension	2	
36	008173880	• Nut, M12, Flange	1	
37	008173910	• Spring Bracket	1	
38	008173930	• Plug, Retainer	1	
39		• Pin, 3.0 x 16	1	
40		• Pin, 4 x 28	1	
41		• Handle (Toggle)	1	
42		• Adjustment Spindle	1	
43	008173950	• Guide	1	
44	008193960	• Roller	1	
45	008193920	• Band, Weight, 130 kg	1	
46	008173940	• Tension Spring	1	
47		• Bushing	1	
52	4228181	• Suspension Lower Par	1	
53		• Fixing Parts	1	
55	4228180	• Suspension MSG85	1	
57		• Screw, M6 x 12	2	
58		• Ties, Cable, 2.5 x 102	2	
59		• Switch	1	
60	008174000	• Connector, Electrical	1	

* Not illustrated

14.1b GRAMMER MSG85 SEAT (4140320)

Illustration Number: 4140320-2



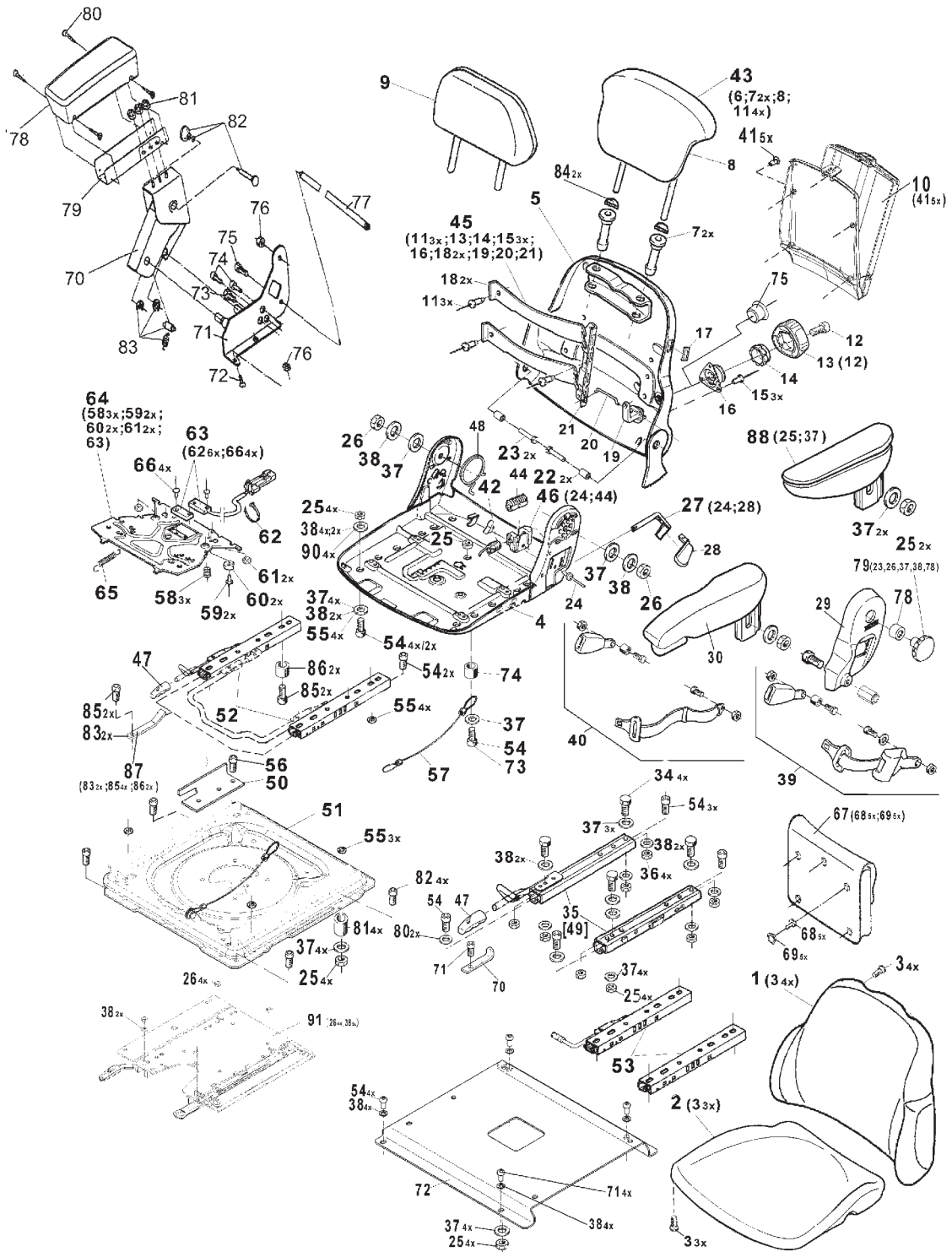
14.1b GRAMMER MSG85 SEAT (4140320)

ITEM	PART NO.	DESCRIPTION	QTY.
1		• Assy, Cushion, Backrest	1
2		• Assy, Cushion, Seat	1
3		• Screw, M5 x 25, Pan Hd	7
4		• Seat Pan	1
5		• Backrest Pan Kit	1
7		• Tube	2
8		• Backrest Extension	1
22		• Tube	2
23		• Screw, M8-1.25 x 40	2
24		• Rivet, 6 x 12	1
25		• Nut, Hex, M8-1.25	6
26	113048	• Nut, Hex, M8-1.25	2
27		• Lever	1
28		• Handle, Grey	1
29		• Cover, LH, Blk	1
33		• Cover, RH, Blk	1
34		• Screw M8 x 16	4
35		• Set of Adjustment Rails	1
36		• Nut, Hex M8-1.25	4
37		• Washer, Flat, M8	11
38		• Washer 8.4-Hv140	6
39		• Kit, Seatbelt, 2 Retractable	1
40		• Seatbelt, 2 Non-retractable	1
42		• Spring, Spiral	1
44		• Stop	1
46		• Bearing Kit	1
48		• Spring, Leg, Backrest	1
49		• Set of Adjustment Rails	1
54		• Screw, M8 x 16, Hex Socket	4
67		• Literature Box	1
68		• Blind Rivet 3.2 x 11.2	5
69		• Ball	5
88		• Armrest	1
	4138707	Multi-Function Arm Rest	1
70		• Adjustment Unit	1
71		• Arm Rest Support	1
72		• Screw	1
73		• Screw	1
74		• Screw	2
75		• Screw	2
76		• Nut	2

* Not illustrated

14.1b GRAMMER MSG85 SEAT (4140320)

Illustration Number: 4140320-2



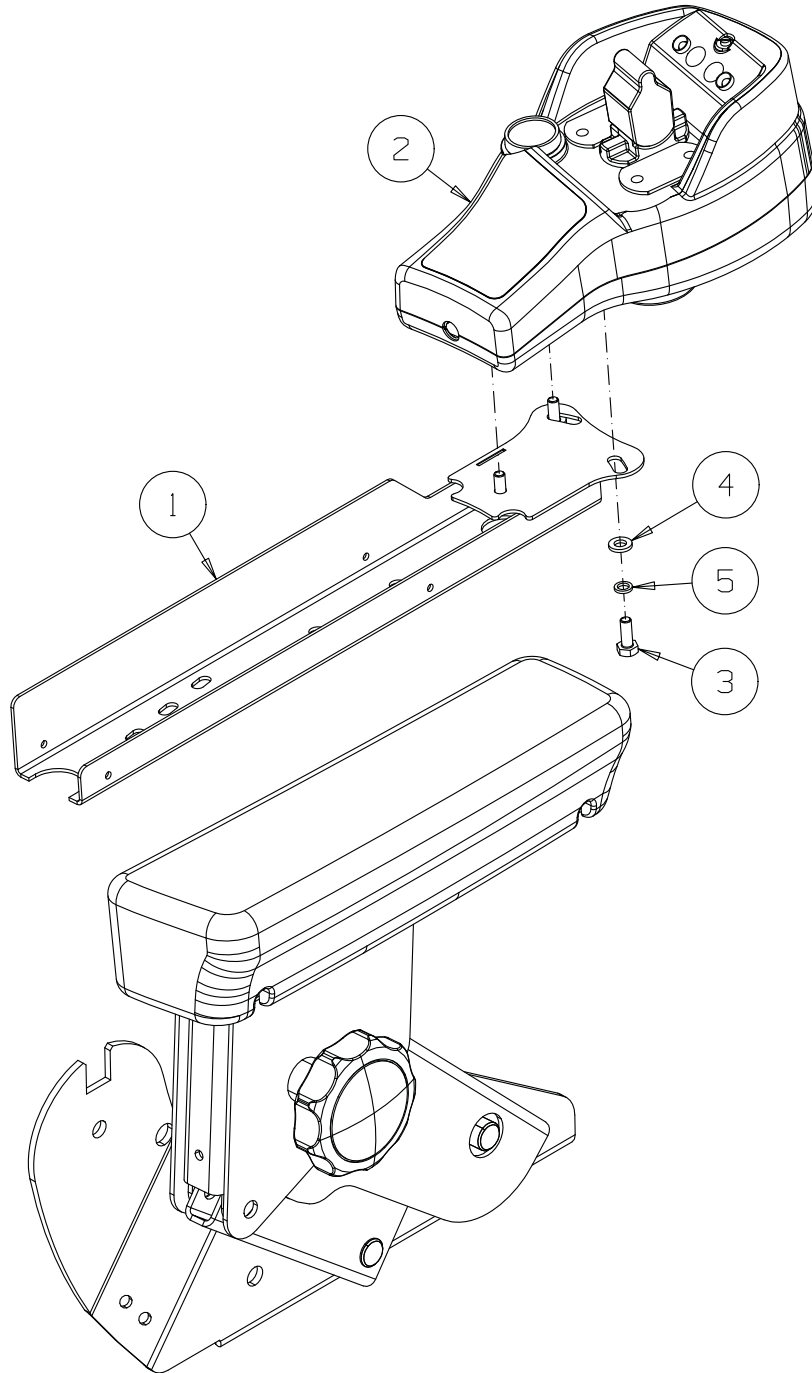
14.1b GRAMMER MSG85 SEAT (4140320)

ITEM	PART NO.	DESCRIPTION	QTY.	
77		• Tube	1	
78		• Arm Cushion	1	
79		• U-profile	1	
80		• Screw	4	
81		• Nut	3	
82		• Adjustment Spindle	1	
83		• Adjustment Service KIT	1	

* Not illustrated

14.2 ARMREST POD MOUNTING

Illustration Number: 4230445



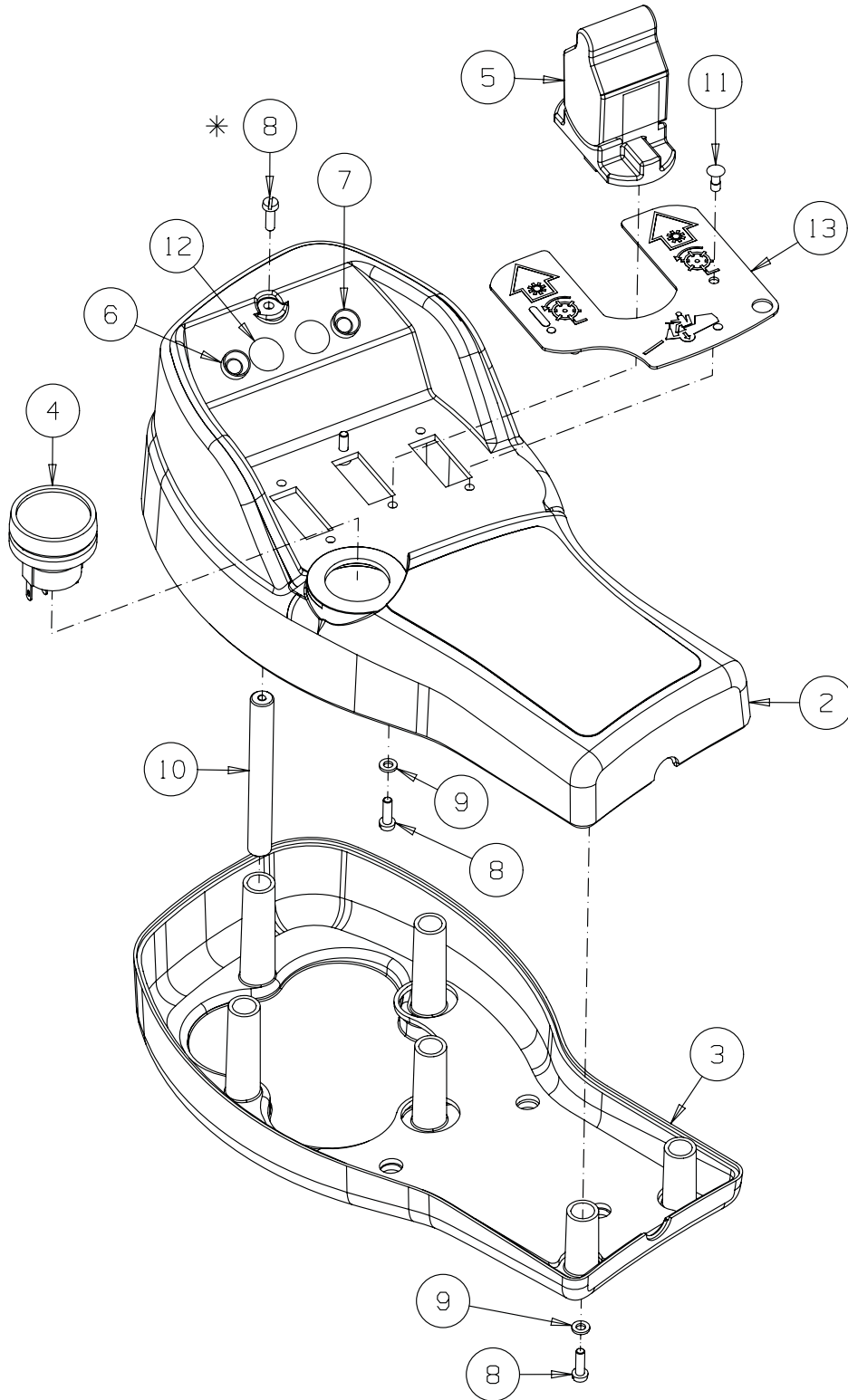
14.2 ARMREST POD MOUNTING

ITEM	PART NO.	DESCRIPTION	QTY.	
1	4170260	Wldmt-Armrest Bracket	1	
2	4230446	Asm-Armrest Pod	1	
3	450170	Screw-Hex M6-1.0 x 16, Gr 8.8	3	
4	450389	Wshr-M6 x 12.5 x 1.8	3	
5	450410	Lockwshr-M6 x 9.6 x 1.5	3	

* Not illustrated

14.3 ARMREST POD

Illustration Number 4230446



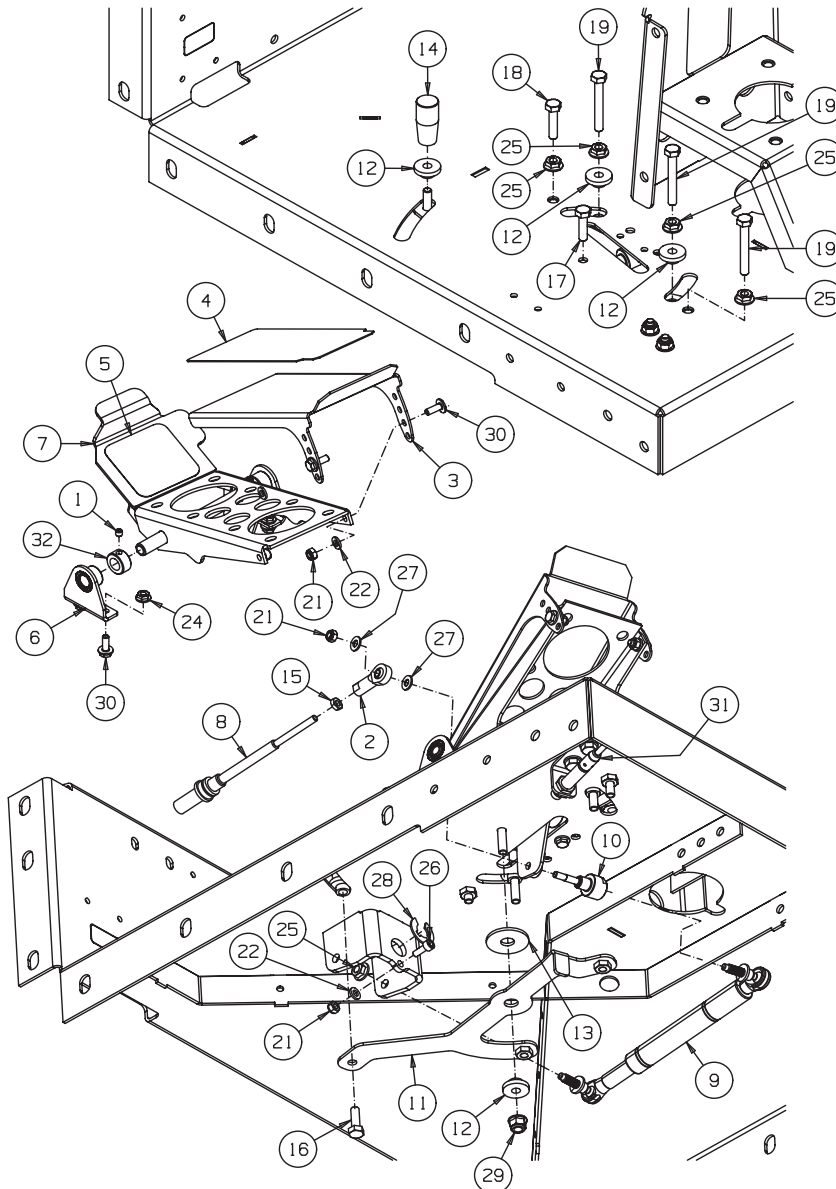
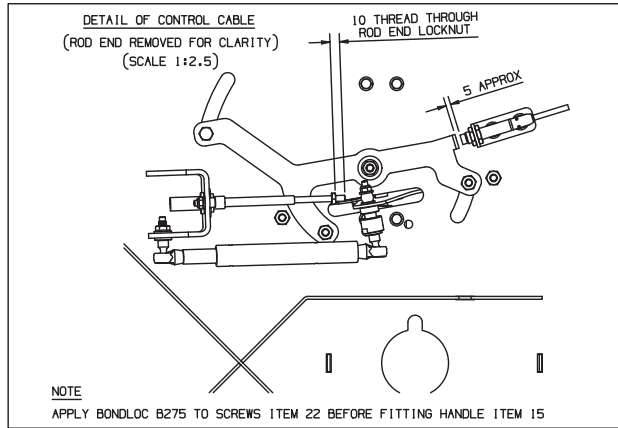
14.3 ARMREST POD

ITEM	PART NO.	DESCRIPTION	QTY.	
	LMSE209	ARMREST POD COMPLETE	1	Comprising Item 1 - 13
1	4241134	Armrest Loom	1	
2	4207604	Armrest Pod - Top	1	
3	4161380	Armrest Pod - Bottom	1	
4	4158940	Weight Transfer Switch	1	
5	4206260	Single Axis Joystick	1	
6	4230900	Deck Stall Indicator LED (Red)	1	
7	4212121	Cut Active Indicator LED (Yellow)	1	
8	4162862	Screw-M3 x 8, Slotted Cheese Hd	9	
9	450418	Lockwshr-M3 x 6.1 x 0.9	8	
10	4212501	Spacer-Armrest Pod	1	
11	001496150	Rivet-Pop 3.2 x 10	4	To S/N JD000383 & JE000300
11	4272414	Rivet-Pop 3.2 x 8 (Black)	4	From S/N JD000384 & JE000301
12	4252563	M10 Cover Plug	2	
13	4252564	Blanking Plate	2	To S/N JD100302 & JE100300
13	4272413	Plate (Screen Printed)	1	From S/N JD100303 & JE100301

* Not illustrated

15.1 TRACTION PEDAL

Illustration Number: 4230436-2_traction_pedal_damped.eps



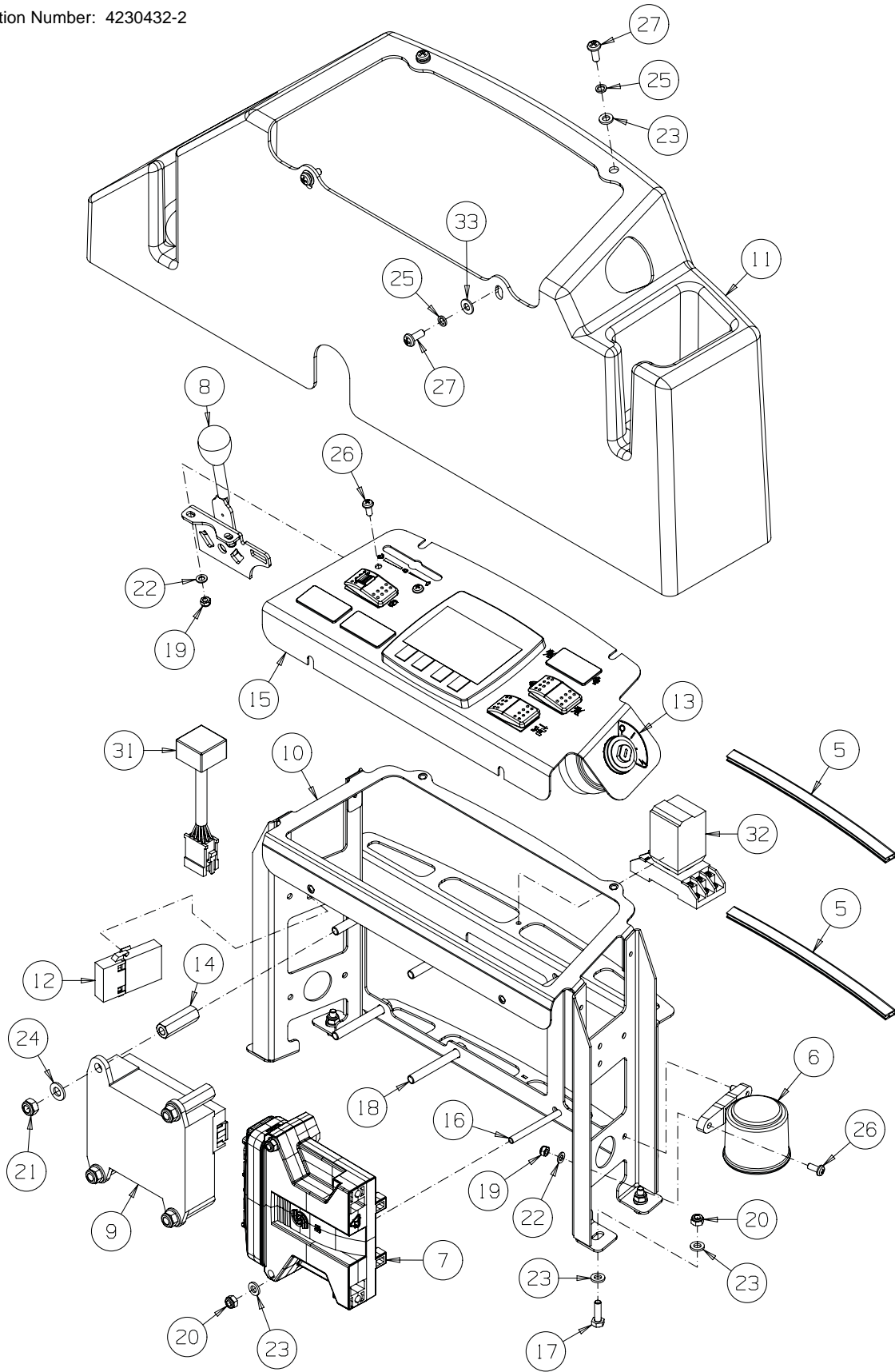
15.1 TRACTION PEDAL

ITEM	PART NO.	DESCRIPTION	QTY.		
1	001290379	Set Screw-Hex Sckt 1/4-20 x 1/4	2	Cup Pnt	
2	128079	1/4" Rod End	1		
3	4162211	Adj Footpedal Plate	1		
4	4168467	Anti-Slip-Footpedal Fwd	1		
5	48013-06A	Anti-Slip-Footpedal Reverse	1		
6	4185740	Pedal Pivot Bracket	2		
7	4241149	Wldmt-Footpedal	1		
8	4213940	Traction Cable	1		
9	4241148	Damper-Self Centering	1		
10	4241151	Bolt-Damper Mtg	1		
11	4241161	Wldmt-Mow/Transport Lever	1		
12	4241163	Bush-FIng 8.5 x 13 x 10.5, Nylon	4		
13	4241164	Washer-13 x 40 x 3, Nylon	1		
14	4241166	Handle-Taper, M8-1.25	1		
15	450020231	Nut-Hex 1/4-28, Gr 1, Thin	1		
16	450192	Screw-Hex M8-1.25 x 25	1		
17	450193	Screw-Hex M8-1.25 x 30	1		
18	450194	Screw-Hex M8-1.25 x 35	1		
19	450199	Screw-Hex M8-1.25 x 60	3		
21	450377	Nut-Hex M6-1.0,Nyloc	4		
22	450389	Washer-M6 x 12.5 x 1.8	3		
24	450452	Nut-Hex M6-1.0 Verbus Ripp	4		
25	450453	Nut-Hex M8-1.25 Verbus Ripp	5		
26	450711	CapScrew-Hex M6-1.0 x 16	1		
27	452000211	Washer-1/4 x 9/16 x 056	2		
28	452119	E-Clip 15 mm	1		
29	452436	Nut-Hex M8 Nyloc	1		
30	64139-20	Screw-Hex M6-1.0 x 16 Whiz-Lock	6		
31	LMAC478	Kit-Mow/Trans Speed Selector Switch	1		Accessory Kit see 19.10
32	W43067a	Collar Set	2		

* Not illustrated

15.2 INSTRUMENT PANEL

Illustration Number: 4230432-2



15.2 INSTRUMENT PANEL

ITEM	PART NO.	DESCRIPTION	QTY.	
1	008233156	Fuse-5 Amp	4	
2	008233164	Fuse-10 Amp	7	
3	008233180	Fuse-20 Amp	1	
4	4175078	Relay	3	
5	379050522	Beading	2	
6	4142655	Horn	1	
7	4263074	Controller c/w HR300 Program	1	
8	4150737	Mow Speed Selector	1	
9	4157023	Relay/Fuse Mounting Panel	1	Not available as a Spare Part
10	4234728	Wldmt-Instrument Cradle	1	
11	4234726	Instrument Cover	1	
12	4162820	Fuse-40 Amp (Complete)	1	Not Available as a Spare Part
13	4163243	Decal-Keyswitch	1	
14	4211920	Spacer-Hex M8 x 40	4	
15	4241131	Panel Assy Complete	1	Not Available as a Spare Part
16	450008	Bolt-Hex M6 x 65	2	
17	450171	Screw-Hex M6 x 20	4	
18	450199	Screw-Hex M8 x 60	4	
19	450376	Nut-Hex M5 Nyloc	4	
20	450377	Nut-Hex M6 Nyloc	6	
21	450378	Nut-Hex M8 Nyloc	4	
22	450388	Wshr-M5 x 10 x 1.1	4	
23	450389	Wshr-M6 x 12.5 x 1.8	14	
24	450390	Wshr-M8 x 17 x 1.8	4	
25	450410	Lockwasher-M6 x 9.6 x 1.5	4	
26	450526	Screw-Pan Hd M5 x 12	4	
27	450542	Screw-Pan Hd M6 x 20	4	
28	008233172	Fuse-15 Amp	2	
29	008233340	Fuse-7.5 Amp	1	
30	4139775	Fuse-2 Amp	1	
31	4128338	Diode Module	1	
32	4212123	Backlap Relay	1	
33	452000211	Wshr-1/4 x 9/16 x .056	2	

* Not illustrated

15.3 PANEL ASSEMBLY

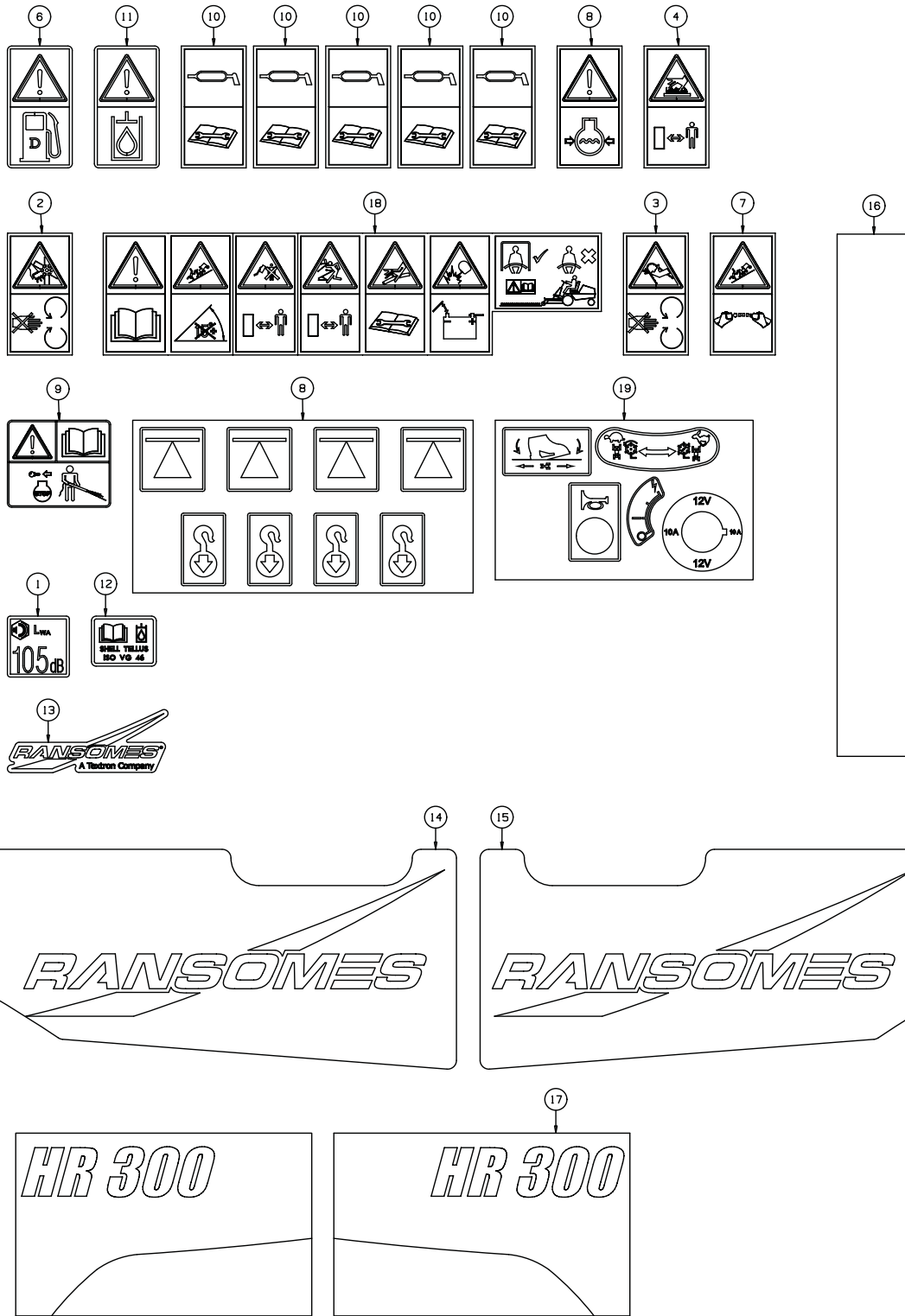
ITEM	PART NO.	DESCRIPTION	QTY.	
1	4234730	Instrument Panel-Screen Printed	1	
2	4252566	Operator Panel Loom	2	
3	4159102	Mow/Reel Switch (Yellow)	1	
4	4139764	Switch-Park Brake, Lockable	1	
5	4135853	Mounting Panel Plug (VHP)	2	
6	4212122	Switch-Momentary (Black)	1	
7	008289120	Ignition Switch	1	
8	4263079	Graphical Display c/w Program	1	
9	4138892	Hazard Switch (Black)	1	when lighting kit fitted
10	4250330	Light Switch Link	1	for French road homologation
11	4250892	Decal, Three Position Light Switch	1	for French road homologation

* Not illustrated

16.1 DECALS

Illustration Number: IDL167R

TRACTOR DECALS



16.1 DECALS

ITEM	PART NO.	DESCRIPTION	QTY.	
1	009034770	Decal-Noise 105 Db	1	
2	009034880	Decal-Fan	1	
3	009034900	Decal-Belt	1	
4	009034920	Decal-Hot	1	
5	009039870	Decal-Tie Down & Jacking Points	1	
6	009114340	Decal-Diesel	1	
7	009114380	Decal-Fasten Seat Belt	1	
8	4118415	Decal-Coolant Hazard	1	
9	4153197	Decal-Jet Wash Warning	1	
10	4164580	Decal-Lubrication Point	5	
11	4164860	Decal-Hydraulic Fluid	1	
12	4196860	Decal-Tellus 46	1	
13	4199980	Decal-Ransomes (3 Colour)	1	RANSOMES Branding
13*	4199981	Decal-Jacobsen (3 Colour)	1	JACOBSEN Branding
14	4216560	Decal-Ransomes RH, Tank	1	RANSOMES Branding
14*	4252562	Decal-Jacobsen RH, Tank	1	JACOBSEN Branding
15	4216561	Decal-Ransomes LH, Tank	1	RANSOMES Branding
15*	4252561	Decal-Jacobsen LH, Tank	1	JACOBSEN Branding
16	4220280	Decal-White Infill	1	
17	4252557	Decal-HR300, Engine Hood	1	
18	4252558	Decal-Seat Plate, HR300	1	
19	4252559	Decal-Controls, HR300	1	

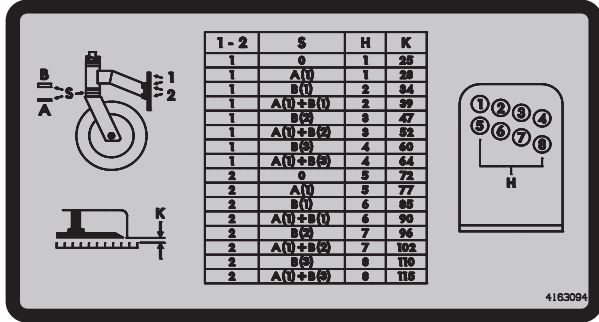
* Not illustrated

16.1 DECALS

Illustration Number: Decals-RD Decks

REAR DISCHARGE DECK DECALS



1





1-2	S	H	K
1	0	1	28
1	A(U)	1	28
1	B(U)	2	34
1	A(U)+B(U)	2	39
1	B(S)	3	47
1	A(U)+B(S)	3	52
1	B(S)	4	60
1	A(U)+B(S)	4	64
2	0	5	72
2	A(U)	5	77
2	B(U)	6	85
2	A(U)+B(U)	6	90
2	B(S)	7	96
2	A(U)+B(S)	7	102
2	B(S)	8	110
2	A(U)+B(S)	8	115

4163094



2



3

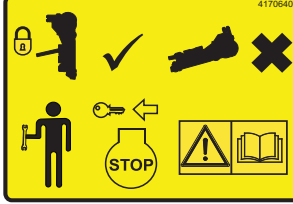
4


5

6



7



16.1 DECALS

ITEM	PART NO.	DESCRIPTION	QTY.	
1	4163094	Decal - Height of Cut	1	
2	4165644	Decal - No Step	2	
3	009034890	Decal - Caution, Keep a Safe distance from the Machine	1	
4	009034910	Decal - Caution, Read Operators Manual	1	
5	009034940	Decal - Caution, Rotating Blades	1	
6	4170640	Decal - Caution, Read Manual before Working Under Deck	1	
7	009239210	Decal - Pressure	3	

* Not illustrated

16.1 DECALS

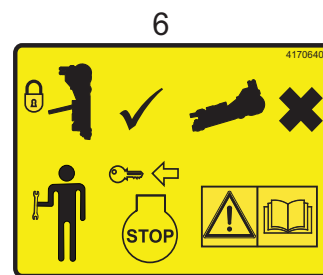
Illustration Number: Decals-Envirodeck

ENVIRODECK DECALS

1

1-2	S	H	K
1	0	1	25
1	A(1)	1	28
1	B(1)	2	34
1	A(1)+B(1)	2	39
1	B(2)	3	47
1	A(1)+B(2)	3	52
1	B(3)	4	60
1	A(1)+B(3)	4	64
2	0	5	72
2	A(1)	5	77
2	B(1)	6	85
2	A(1)+B(1)	6	90
2	B(2)	7	96
2	A(1)+B(2)	7	102
2	B(3)	8	110
2	A(1)+B(3)	8	115

4163094



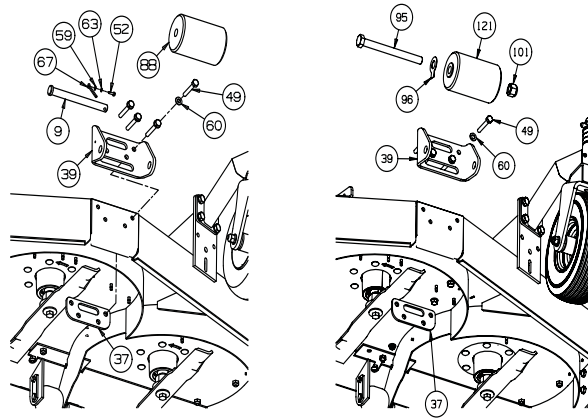
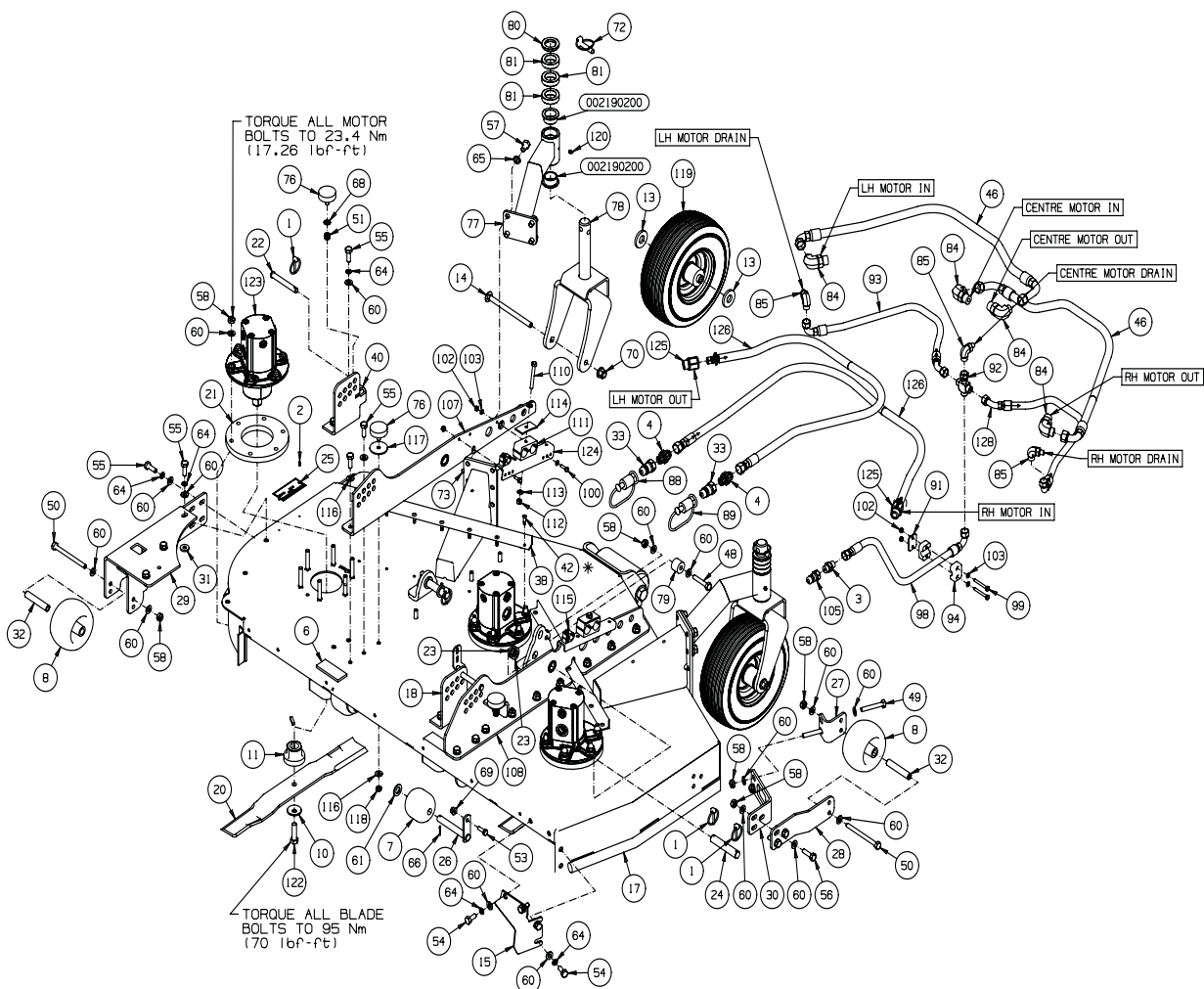
16.1 DECALS

ITEM	PART NO.	DESCRIPTION	QTY.	
1	4163094	Decal - Height of Cut	1	
2	4165644	Decal - No Step	2	
3	009034890	Decal - Caution, Keep a Safe distance from the Machine	1	
4	009034910	Decal - Caution, Read Operators Manual	1	
5	009034940	Decal - Caution, Rotating Blades	1	
6	4170640	Decal - Caution, Read Manual before Working Under Deck	1	
7	009239210	Decal - Pressure	3	
8	4173020	Decal - Envirodeck	1	

* Not illustrated

19.1 LMAC266 152cm REAR DISCHARGE DECK

Illustration Number: 4150118-3



Front roller parts fitted as per left hand illustration up to S/N F5000489.

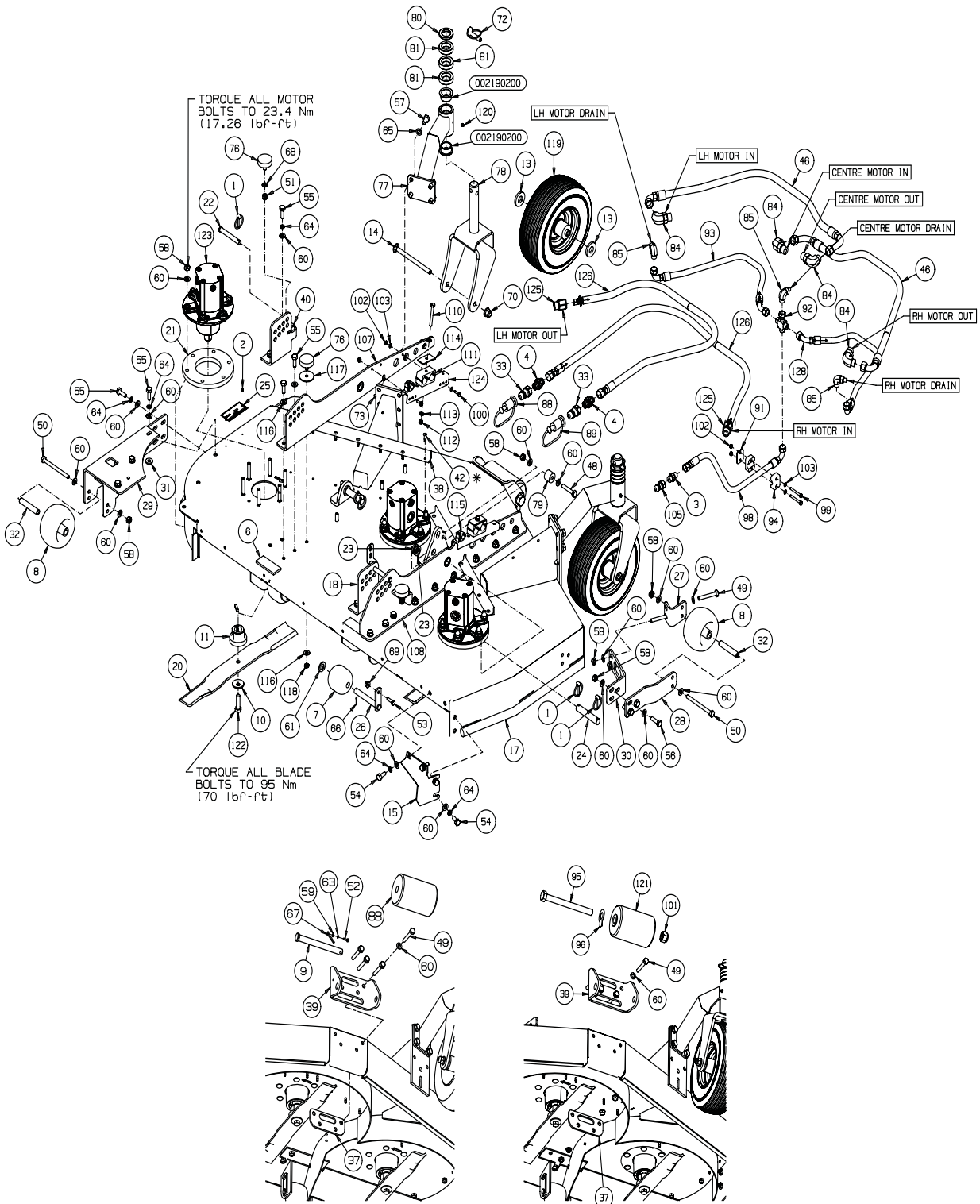
19.1 LMAC266 152cm REAR DISCHARGE DECK

ITEM	PART NO.	DESCRIPTION	QTY.	
1	001490740	Quick Pin	6	
2	001496150	Rivet-Pop 3.2 x 10	2	
3	002590180	Ftg-11/16 ORFS x 3/8 BSPP	1	
*	158061-01	• O-Ring	1	11/16" ORFS
*	870000081	• Seal	1	3/8" BSP
4	002590190	Ftg-13/16 ORS x 1/2 BSPP	2	
*	158061-02	• O-Ring	1	13/16" ORFS
*	870000099	• O-Ring	1	1/2" BSP
6	168142-03	Strip-Rubber	2	
7	2198153	Roller-3"	2	
8	2721512	Roller-5 x 2.75 .Centered	3	
10	3007764	Washer, Blade	3	
11	3008388	Adapter - Blade	3	
13	4118730	Spacer 45 O/D x 20.5 I/D x 6 Thk.	4	
14	4118873	Bolt-Crg M12 x 170	2	
15	4171620	Guard-Foot	1	
17	4228160	Wldmnt-60" Rear Discharge Deck	1	From S/N FS000581
18	4150137	Bracket-Height Adjuster LH	1	2-off per deck to S/N FS000333 (see item 44)
*	4160921	• Bump Stop Rear	1	Up to S/N FS000333
*	4165220	• Deck Stop-Rubber	1	Up to S/N FS000333
20	4150198	Blade 21.00 OFFST LLFT	3	
21	4150279	Plate-Deck Motor Spacer	3	
22	4151817	Pin-Clevis, 1/2 x 3-3/4	2	
23	4151937	Spacer-20 x 30 x 5	4	2-off per deck to S/N FS000333
24	4157243	Pin-Deck Mtg, 3/4 x 4	2	
25	4157361	Serial Plate-RD60 Deck	1	Non Service Part
26	4157521	Wldmt-Roller Shaft	2	
27	4158943	Bracket-Antiscalp Roller Inside	2	
28	4158944	Bracket-Antiscalp Roller Outside	2	
29	4158982	Wldmt-Rear Antiscalp Bracket	1	
30	4158983	Plate-Antiscalp Bracket	2	
31	4159323	Spacer 10.5x25x4	3	
32	4163320	Caster Spacer 16x10.3x86	3	
33	4163522	QRC-1/2"BSPP Male	2	
37	4163637	Wldmt-Roller Bolt Backing	1	
38	4164881	Angle-Deck Stiffener 60"	2	
39	4165907	Front Roller Bracket	1	
40	4169241	Bracket-Height Adjust & B.Stop LH	1	From S/N FS000334

* Not illustrated

19.1 LMAC266 152cm REAR DISCHARGE DECK

Illustration Number: 4150118-3



Front roller parts fitted as per left hand illustration up to S/N F5000489.

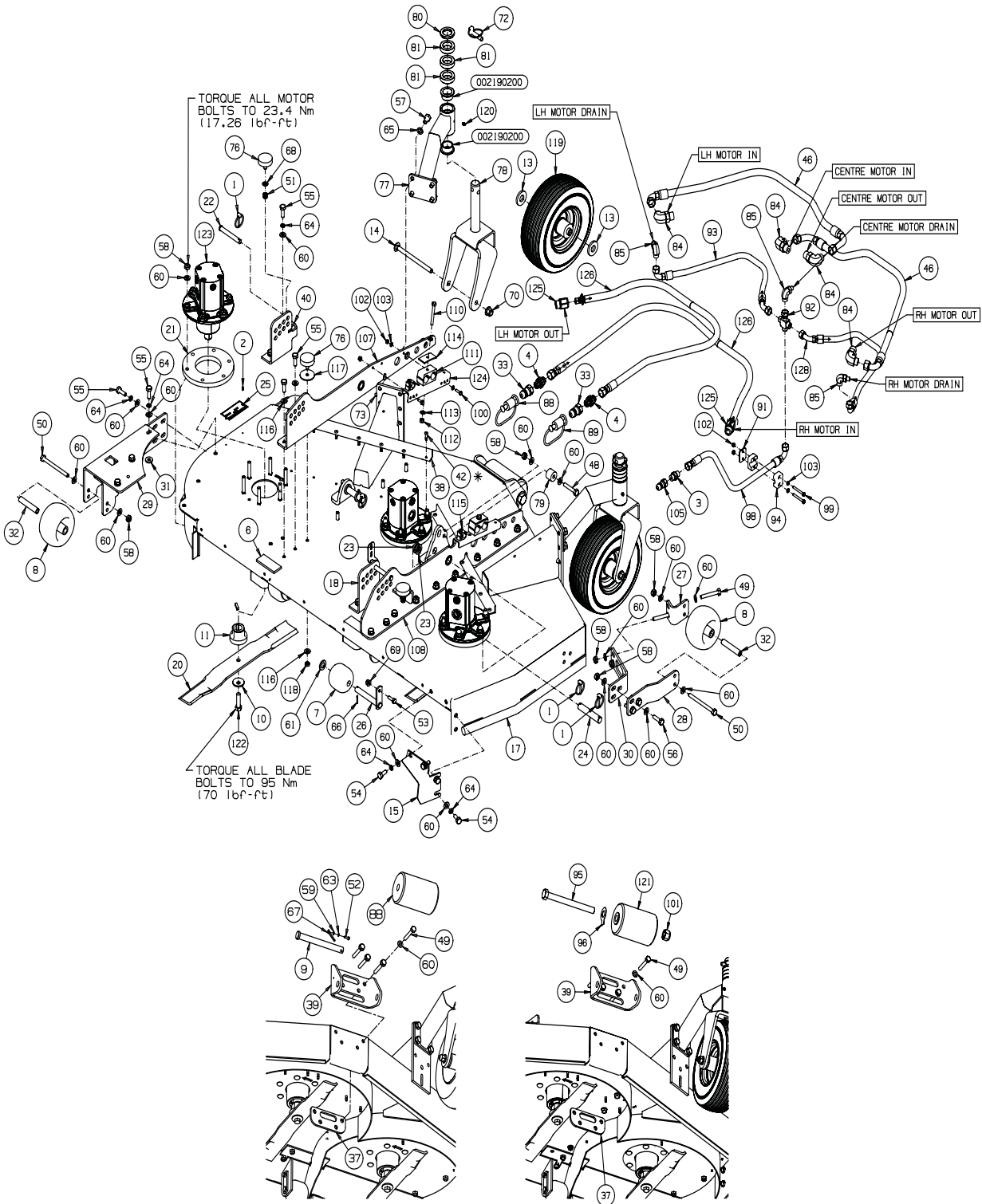
19.1 LMAC266 152cm REAR DISCHARGE DECK

ITEM	PART NO.	DESCRIPTION	QTY.	
42	4173320	Rivet-Pop 6.4 x 14 Steel	14	
46	4163601	Hose Assembly	2	RH & LH Motor to Centre Motor - Up to S/N FS000412
46	4179000	Hose Assembly	2	RH & LH Motor to Centre Motor - From S/N FS000413
47	4163602	Hose Assembly	2	RH & LH Motor to QRC - Up to S/N FS000412
47	4179001	Hose Assembly	2	RH & LH Motor to QRC - To S/N FSxxxxxx
48	450033	Bolt-Hex M10 x 55	1	
49	450035	Bolt-Hex M10 x 65	8	
50	450043	Bolt-Hex M10 x 120	3	
51	450120267	Nut-Hex 3/8-16 Nyloc	2	
53	450192	Screw-Hex M8 x 25	2	
54	450214	Screw-Hex M10 x 25	4	
55	450215	Screw-Hex M10 x 30	25	From S/N FS000581
56	450216	Screw-Hex M10 x 35	6	
57	450239	Screw-Hex M12 x 20	8	
58	450379	Nut-Hex M10 Nyloc	32	
60	450391	Wshr-M10 x 21 x 2.2	77	From S/N FS000581
61	450393	Wshr-M16 x 30 x 3.3	2	
64	450412	Wshr-Slw M10	16	From S/N FS000581
65	450424	Wshr-Slw M12	8	
66	451241	22x3.2 Dia. Split Pin	2	
68	452000326	Wshr-3/8 x 3/4 x .072	2	
69	452436	Nut-Hex M8 Flng Nyloc	2	
70	452438	Nut-Hex M12 Flng Nyloc	2	
71	452591	Bolt-Crg M10 x 55	18	To S/N FS000333
71	452592	Bolt-Crg M10 x 60	18	From S/N FS000334
71	4272892	Bolt-Crg M10 x 60 (grade 8.8)	18	From S/N JD000392 & JE000301
72	469009601	Spring Clip	2	
73	48517-06	Hole-Plug.250	4	
74	557523	Key, Shaft	3	
76	J631723	Bumper Stop	2	From S/N FS000334
77	MBF1936	Asm-Caster Support	2	
77.1	002190200	BUSH-FLNG 1.25" X 1.50" X 0.75"	2	
78	MBF1938	Asm-Yoke, 11.00 Tyre	2	
79	MBG1313.7	Spacer-11 x 30 x 24	1	
80	MBG5426	Collar-1.266" x 2" x .250"	2	
81	MBG5427	Collar-1.266" x 2" x .500"	6	

* Not illustrated

19.1 LMAC266 152cm REAR DISCHARGE DECK

Illustration Number: 4150118-3



Front roller parts fitted as per left hand illustration up to S/N FS000489.

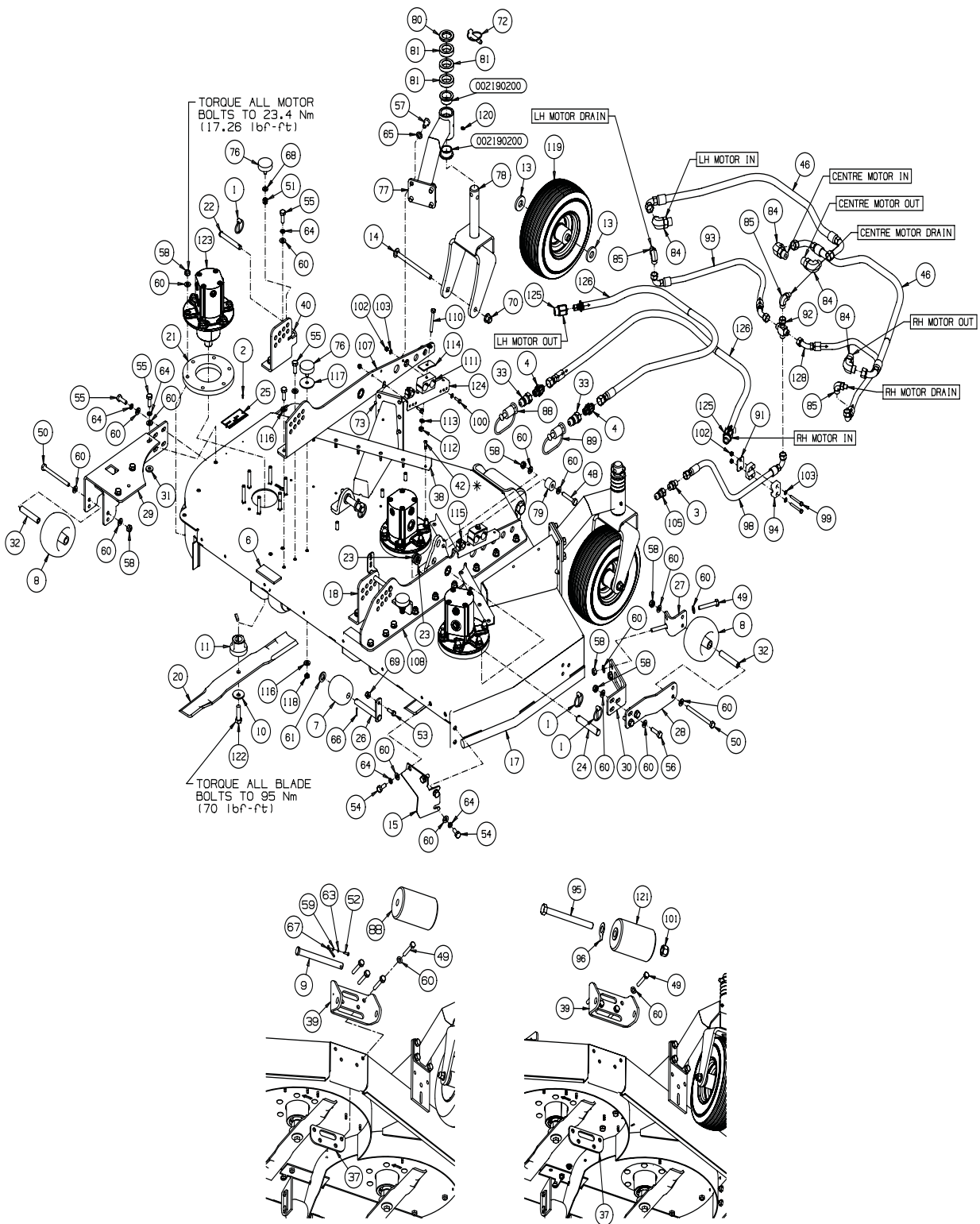
19.1 LMAC266 152cm REAR DISCHARGE DECK

ITEM	PART NO.	DESCRIPTION	QTY.	
82	W158006-06	Ftg-M/M 13/16 ORS x 7/8 SAE	2	To S/N FSxxxxxx
*	158061-02	• O-Ring	1	13/16" ORFS
*	002218104	• O-Ring	1	7/8" SAE
84	W158007-03	90-M/M 13/16 ORS x 7/8 SAE	4	2-off fitted up to S/N FS000412
*	158061-02	• O-Ring	1	13/16 ORFS
*	002218104	• O-Ring	1	7/8" SAE
85	W158007-09	90-M/M 11/16 ORS x 7/16 SAE	3	
*	158061-01	• O-Ring	1	11/16" ORFS
*	002218049	• O-Ring	1	7/16" SAE
88	4185260	QRC Cap (Red)	1	
89	4185261	QRC Cap (Yellow)	1	
91	4185300	Plate-17.2mm Hose Clamp	1	
92	4186000	Cross-M/M/M/F 11/16 ORS	1	
*	158061-01	• O-Ring	4	11/16" ORFS
93	4281433	Hose-LH Motor Drain to Centre	1	From S/N FS000xxx
94	4186724	Jaws-17.2mm Hose Clamp	1	
95	4186861	Bolt-Hex 3/4-10 x 8	1	From S/N FS000490
96	4186960	Washer-Tab M20	1	From S/N FS000490
98	4188221	Hose-Centre Motor Drain To QRC	1	
99	450005	Bolt-Hex M6 x 50	2	
100	450171	Screw-Hex M6 x 20	4	From S/N FS000581
101	450190284	Nut-Hex 3/4-10 Nyloc	1	From S/N FS000490
102	450377	Nut-Hex M6 Nyloc	8	From S/N FS000581
103	450389	Wshr-M6 x 12.5 x 1.8	14	From S/N FS000581
105	4163525	QRC-3/8"BSPP Male	1	
106	452437	NUT-NYLOC M10 FLNG	11	From S/N FS000581
107	4217006	WLDMT-DECK STIFFENER 60" LH	1	From S/N FS000581
108	4217002	WLDMT-DECK STIFFENER 60" RH	1	From S/N FS000581
109	4226940	HOSE HOLDER PLATE	2	From S/N FS000581 to FSxxxxxx
110	450021	BOLT-HEX M8 X 65	2	From S/N FS000581
111	2208139	CLAMP-TWIN TUBE, 1" DIA	2	From S/N FS000581
112	450378	NUT-HEX M8 NYLOC	2	From S/N FS000581
113	450390	WSHR-M8 X 17 X 1.8	4	From S/N FS000581
114	009079310	TOP PLATE-TUBE CLAMP	2	From S/N FS000581
115	4281431	Single Tube Clamp (16mm)	2	From S/N FS000xxx
116	4224901	AV WSHR-10.7 X 21 X2.5	3	From S/N FS000581
117	64163-17	WSHR-25/64 X 2 X 11G	1	From S/N FS000581
118	450120186	NUT-HEX 3/8-16	1	From S/N FS000581
119	4237022	WHEEL ASSEMBLY - 11 x 4.0 - 5	2	From S/N FS000xxx
120	002993013	Lubricator-M6 Str	2	

* Not illustrated

19.1 LMAC266 152cm REAR DISCHARGE DECK

Illustration Number: 4150118-3



Front roller parts fitted as per left hand illustration up to S/N FS000489.

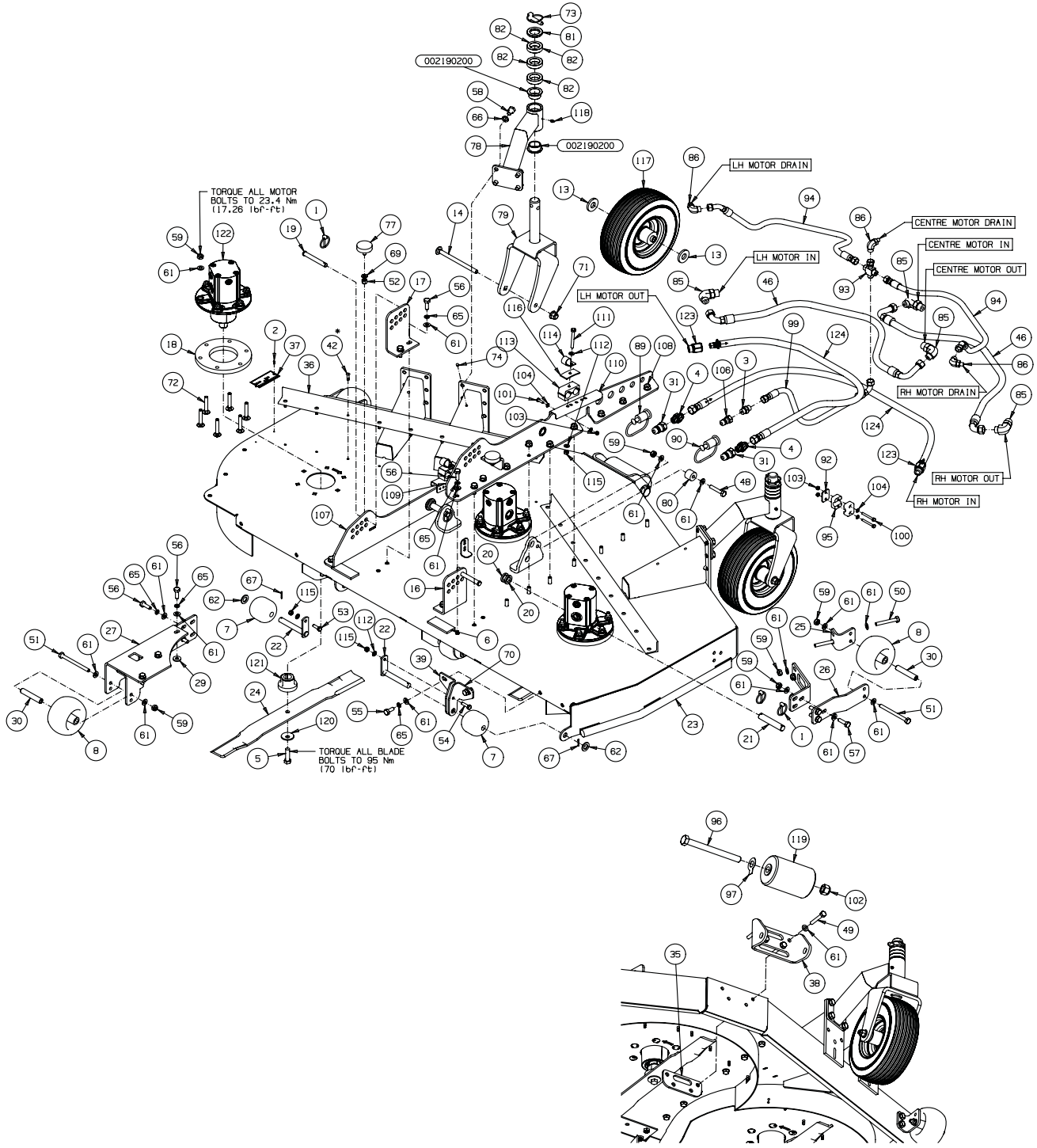
19.1 LMAC266 152cm REAR DISCHARGE DECK

ITEM	PART NO.	DESCRIPTION	QTY.	
121	163425	Roller	1	
*	552824	• Bush	2	
122	400410	Screw, 1/2-13 x 1-3/4" Hex Hd	3	
123	4177941	Motor-Deck	3	
124	4256332	Hose Slide Plate	2	From S/N FSxxxxxx
125	4260870	7/8-14 SAE O-Ring Coupling	2	From S/N FSxxxxxx
126	4260871	Hose Assy	2	From S/N FSxxxxxx
127*	450003	Bolt-Hex M6 x 40	2	From S/N FSxxxxxx
128	4281432	Hose-RH Motor Drain to Center	1	From S/N FSxxxxxx

* Not illustrated

19.2 LMAC267 183cm REAR DISCHARGE DECK

Illustration Number: 4159021-3_Rev_J



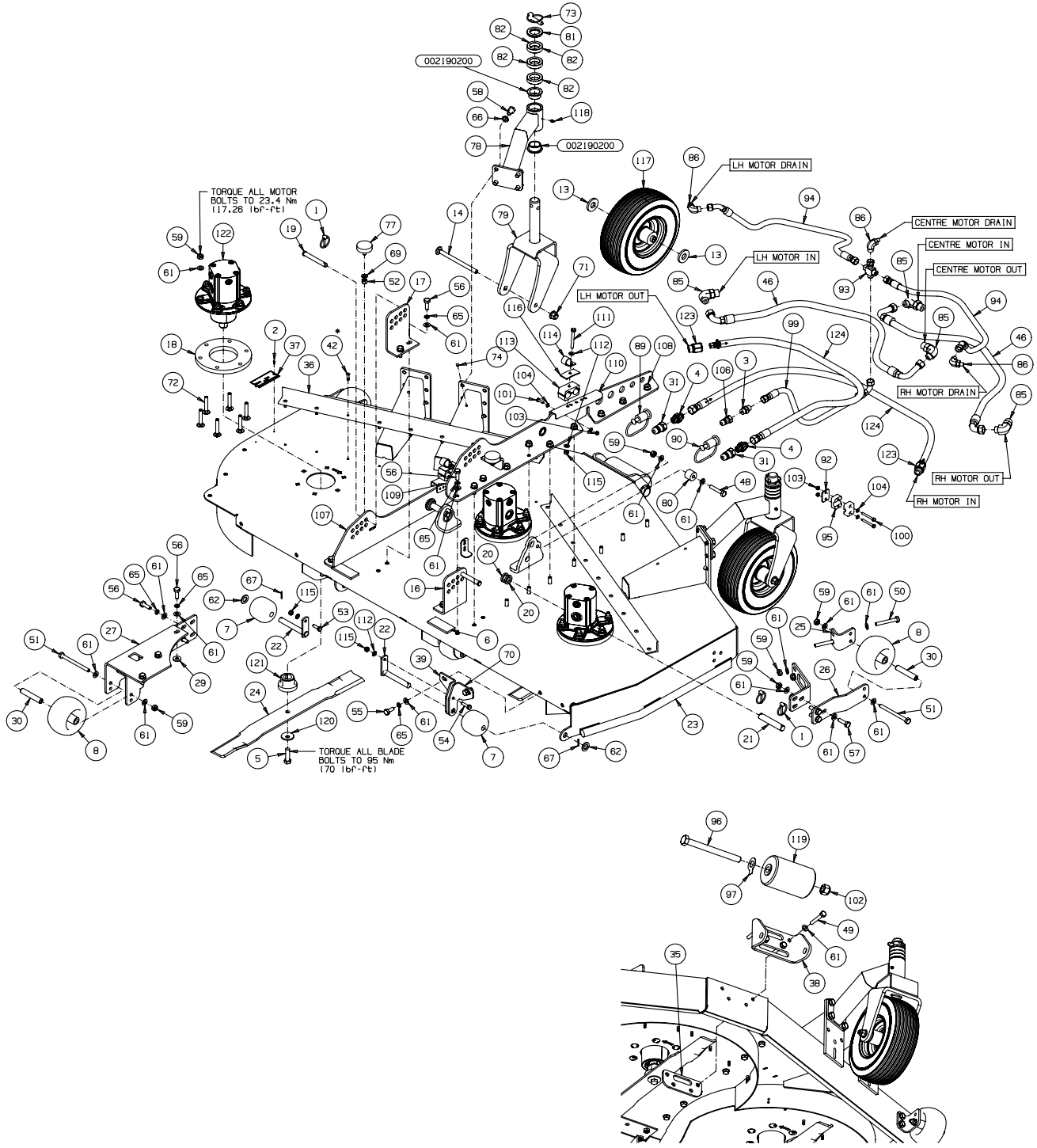
19.2 LMAC267 183cm REAR DISCHARGE DECK

ITEM	PART NO.	DESCRIPTION	QTY.	
1	001490740	Quick Pin	6	
2	001496150	Rivet-Pop 3.2 x 10 (S/S)	2	
3	002590180	Ftg-11/16 ORFS x 3/8 BSPP	1	
*	158061-01	• O-Ring	1	11/16" ORFS
*	870000081	• Seal	1	3/8" BSP
4	002590190	Ftg-13/16 ORS x 1/2 BSPP	2	
*	158061-02	• O-Ring	1	13/16" ORFS
*	870000099	• O-Ring	1	1/2" BSP
5	400410	Screw, 1/2-13 x 1-3/4" Hex Hd	3	
6	168142-03	Strip-Rubber	2	
7	2198153	Roller-3	"3	
8	2721512	Roller-5 x 2.75 .Centered	3	
13	4118730	Spacer 45 O/D x 20.5 I/D x 6 Thk.	4	
14	4118873	Bolt-Crg M12 x 170	2	
16	4150137	Bracket-Height Adjuster LH	1	
17	4150139	Bracket-Height Adjuster RH	1	
18	4150279	Plate-Deck Motor Spacer	3	
19	4151817	Pin-Clevis, 1/2 x 3-3/4	2	
20	4151937	Spacer-20 x 30 x 5	4	
21	4157243	Pin-Deck Mtg, 3/4 x 4	2	
22	4157521	Wldmt-Roller Shaft	3	
23	4227320	Wldmt-Deck, 72" Rd	1	
24	4158841	Blade 25.00 Offst Lift	3	
25	4158943	Bracket-Antiscalp Roller Inside	2	
26	4158944	Bracket-Antiscalp Roller Outside	2	
27	4158982	Wldmt-Rear Antiscalp Bracket	1	
28	4158983	Plate-Antiscalp Bracket	2	
29	4159323	Spacer 10.5x25x4	3	
30	4163320	Caster Spacer 16x10.3x86	3	
31	4163522	QRC-1/2"BSPP Male	2	
35	4163637	Wldmt-Roller Bolt Backing	1	
36	4164642	Angle-Deck Stiffener 72"	2	
37	4165041	Serial Plate-Rd72 Deck	1	Non Service Part
38	4165907	Front Roller Bracket	1	
39	4168330	Bkrt-72"Deck RH Guard/Castor Pivot	1	To S/N JD000xxx and JE000xxx
39	4273150	Brkt LH, RH Castor Pivot	1	From S/N JD000xxx and JE000xxx
42	4173320	Rivet-Pop 6.4 x 14 Steel	18	
46	4179000	Hose-Middle Motor To "L" & "R"	2	RH & LH Motor To Centre Motor
47	4179001	Hose Assembly	2	RH & LH Motor To QRC
48	450033	Bolt-Hex M10-1.5 x 55, Gr 8.8	1	
49	450035	Bolt-Hex M10-1.5 x 65, Gr 8.8	4	
50	450036	Bolt-Hex M10-1.5 x 70, Gr 8.8	4	
51	450043	Bolt-Hex M10-1.5 x 120, Gr 8.8	3	
52	450120267	Nut-Hex 3/8-16, Nyloc	2	
53	450192	Screw-Hex M8-1.25 x 25, Gr 8.8	2	
54	450193	Screw-Hex M8-1.25 x 30, Gr 8.8	1	
55	450214	Screw-Hex M10-1.5 x 25, Gr 8.8	2	
56	450215	Screw-Hex M10-1.5 x 30, Gr 8.8	29	
57	450216	Screw-Hex M10-1.5 x 35, Gr 8.8	6	
58	450239	Screw-Hex M12-1.75 x 20, Gr 8.8	8	
59	450379	Nut-Hex M10-1.5, Gr 8, Nyloc	32	

* Not illustrated

19.2 LMAC267 183cm REAR DISCHARGE DECK

Illustration Number: 4159021-3_Rev_J



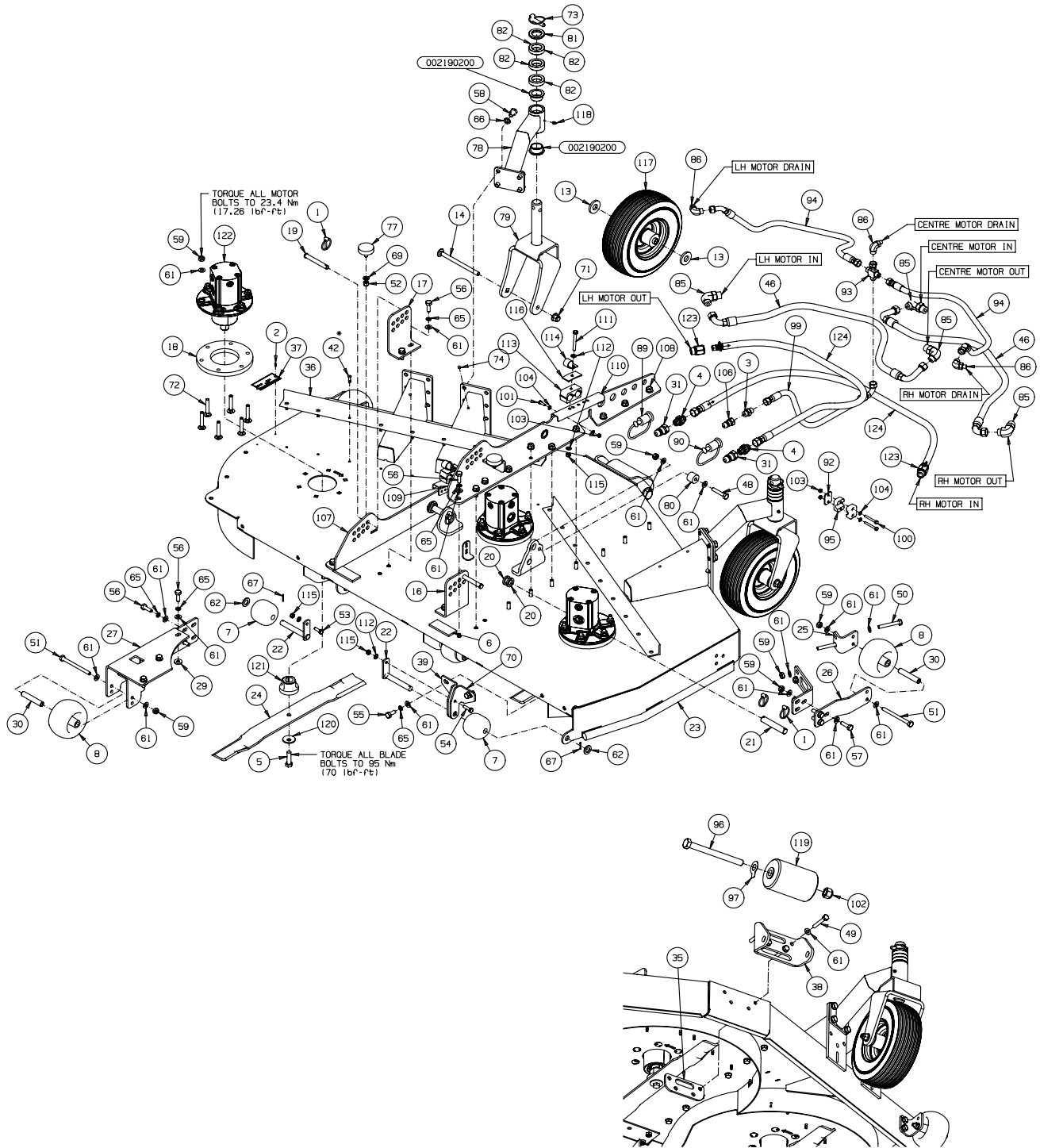
19.2 LMAC267 183cm REAR DISCHARGE DECK

ITEM	PART NO.	DESCRIPTION	QTY.	
61	450391	Wshr-M10 x 21 x 2.2	81	
62	450393	Wshr-M16 x 30 x 3.3	3	
65	450412	Lockwshr-M10 x 15.9 x 2.5	17	
66	450424	Lockwshr-M12 x 21 x 2.65	8	
67	451241	Split Pin-3.2 x 22	3	
69	452000326	Wshr-3/8 x 3/4 x .072	2	
70	4273151	Brkt RH, RH Castor Pivot	1	From S/N JD000379 and JE000301
71	452438	Nut-Nyloc M12 Fling	2	
72	4272892	Bolt-Crg M10 x 60 (Grade 8.8)	18	
73	469009601	Spring Clip	2	
74	48517-06	Hole-Plug.250	6	
77	J361723	Bumper Stop	2	
78	MBF1936	Asm-Caster Support	2	
79	MBF1938	Asm-Yoke, 11.00 Tyre	2	
80	MBG1313.7	Spacer-11 x 30 x 24	1	
81	MBG5426	Collar-1.266" x 2" x .250"	2	
82	MBG5427	Collar-1.266" x 2" x .500"	6	
83	W158006-06	Ftg-M/M 13/16 ORS x 7/8 SAE	4	
*	158061-02	• O-Ring	1	13/16" ORFS
*	002218104	• O-Ring	1	7/8" SAE
85	158007-03	90-M/M 13/16 ORS x 7/8 SAE	4	
*	158061-02	• O-Ring	1	13/16 ORFS
*	002218104	• O-Ring	1	7/8" SAE
86	158007-09	90-M/M 11/16 ORS x 7/16 SAE	3	
*	158061-01	• O-Ring	1	11/16" ORFS
*	002218049	• O-Ring	1	7/16" SAE
89	4185260	QRC Cap (Red)	1	
90	4185261	QRC Cap (Yellow)	1	
92	4185300	Plate-17.2mm Hose Clamp	1	
93	4186000	Cross-M/M/M/F 11/16 ORFS	1	
*	158061-01	• O-Ring	4	11/16" ORFS
94	4186624	Hose-L/R Motor Drain To Centre	2	
95	4186724	Jaws-17.2mm Hose Clamp	1	
96	4186861	Bolt-Hex 3/4-10 x 8, Gr S	1	
97	4186960	Washer-Tab M20	1	
99	4187061	Hose-Centre Motor Drain To QRC	1	
100	450005	Bolt-Hex M6-1.0 x 50, Gr 8.8	2	
101	450171	Screw-Hex M6-1.0 x 20, Gr 8.8	4	
102	450190284	Nut-Hex 3/4-10, Nyloc	1	
103	450377	Nut-Hex M6-1.0, Gr 8, Nyloc	6	
104	450389	Wshr-M6 x 12.5 x 1.8	10	
106	4163525	QRC-3/8"BSPP Male	1	
107	4217001	Wldmt-Deck Stiffener 72" LH	1	
108	452437	Nut-Nyloc M10 Fling	14	
109	4217000	Wldmt-Deck Stiffener 72" RH	1	
110	4256332	Hose Slide Plate	2	
111	450021	Bolt-Hex M8-1.25 x 65, Gr 8.8	2	
112	450390	Wshr-M8 x 17 x 1.8	7	
113	2208139	5/8 Bore Hose Clamp	2	
114	469016509	P-Clip	2	
115	450378	Nut-Hex M8-1.25, Gr 8, Nyloc	5	

* Not illustrated

19.2 LMAC267 183cm REAR DISCHARGE DECK

Illustration Number: 4159021-3_Rev_J



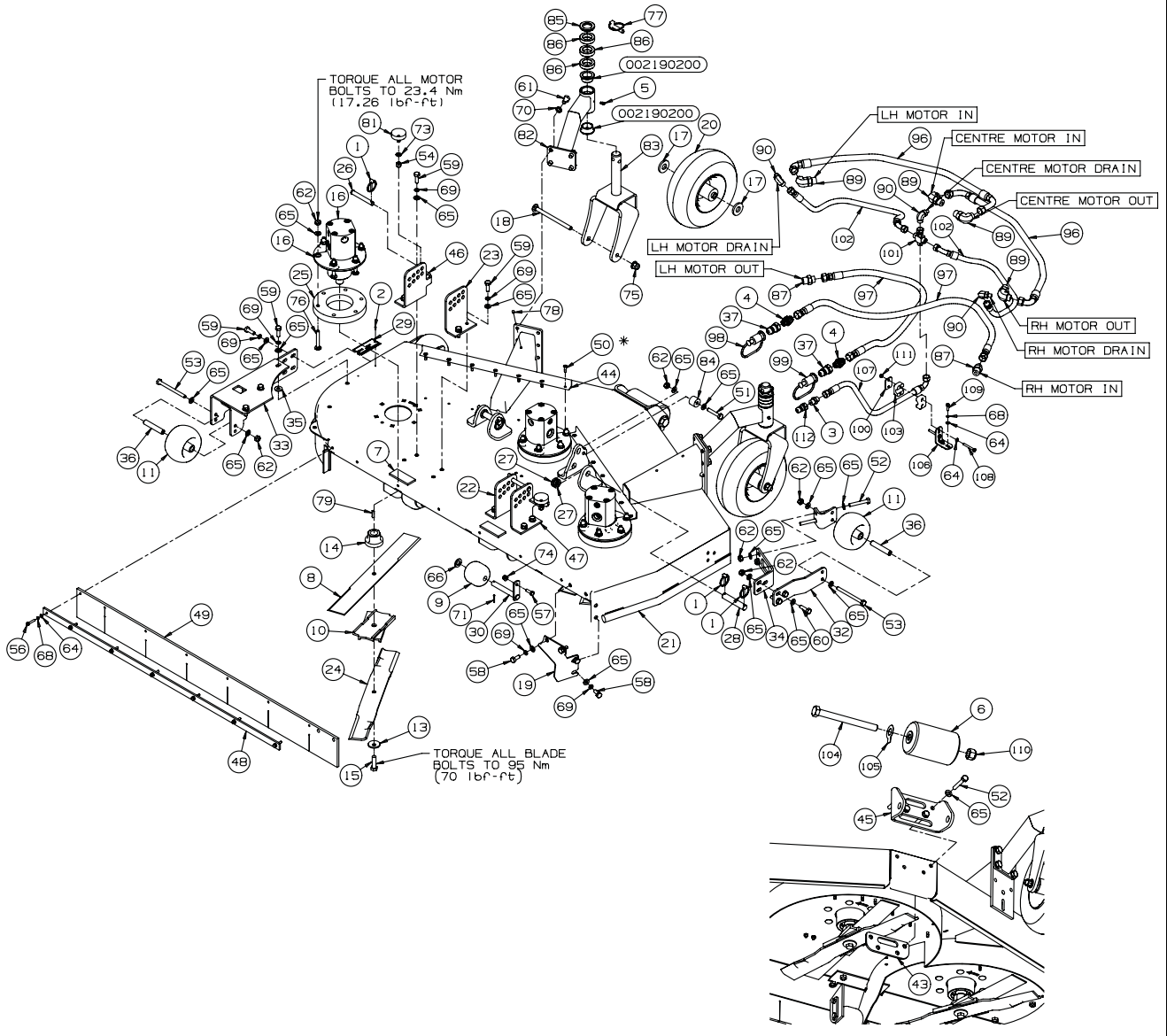
19.2 LMAC267 183cm REAR DISCHARGE DECK

ITEM	PART NO.	DESCRIPTION	QTY.	
116	009079310	Top Plate-Tube Clamp	2	
117	4237022	P.U Filled Wheel Assy 11 x 4.00 - 5	2	
118	002993013	Lubricator-M6 Straight	2	
119	163425	Roller	1	
120	3007764	Blade Washer, 1/2	3	
121	3008388	Adapter-Blade	3	
122	4177941	Motor-Deck	3	
123	4260870	7/8-14 Easy-Fit Coupling	2	
124	4260871	Hose Assy	2	
125	557523	Key,Shaft	3	

* Not illustrated

19.3 LMAC294 152cm ENVIRODECK

Illustration Number: 4172183-3_Rev_G



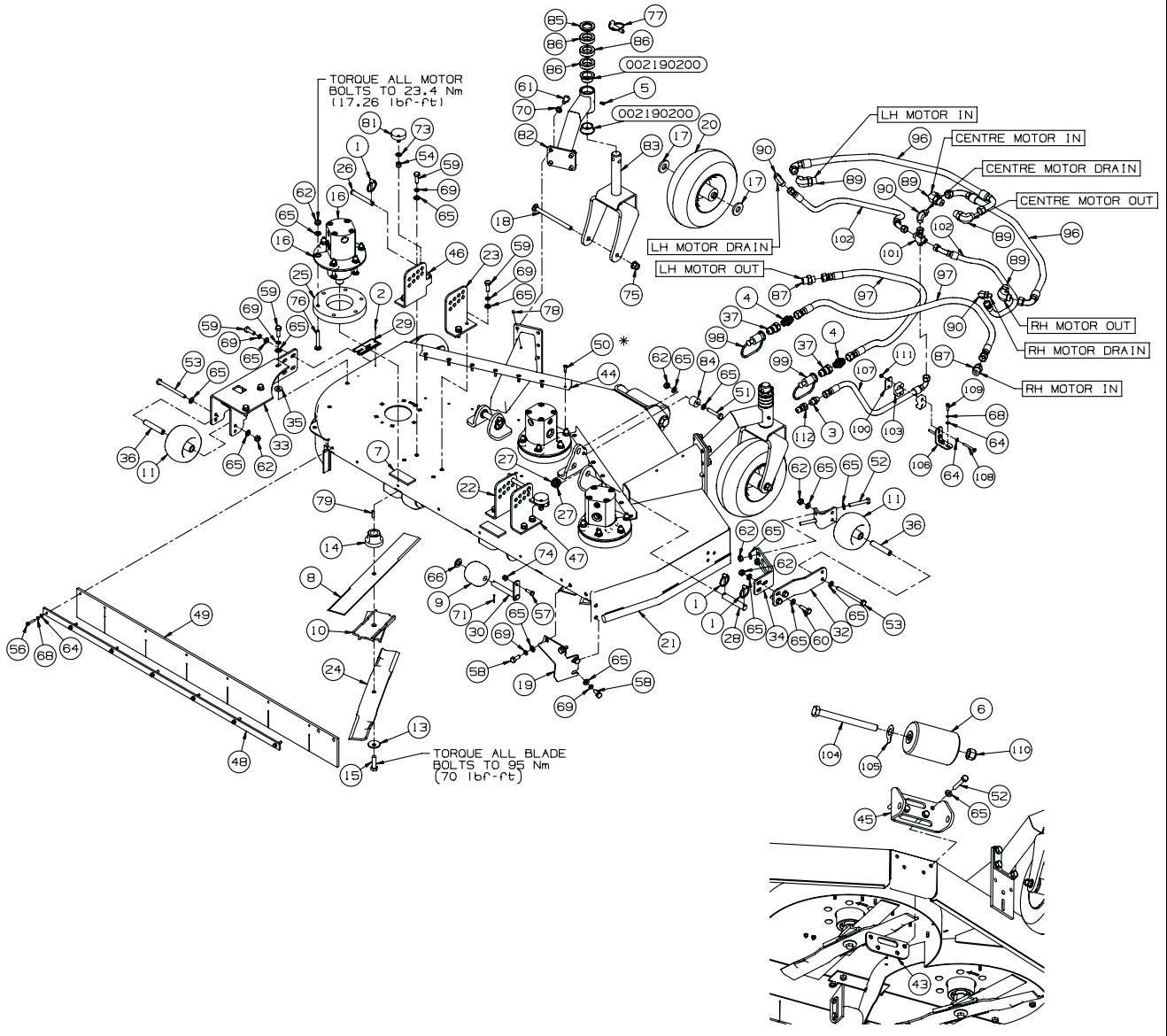
19.3 LMAC294 152cm ENVIRODECK

ITEM	PART NO.	DESCRIPTION	QTY.	
1	001490740	Quick Pin	6	
2	001496150	Rivet-Pop 3.2 x 10	2	
3	002590180	Ftg-11/16 ORFS x 3/8 BSPP	1	
*	158061-01	• O-Ring	1	11/16" ORFS
*	870000081	• Seal	1	3/8" BSP
4	002590190	Ftg-13/16 ORS x 1/2 BSPP	2	
*	158061-02	• O-Ring	1	13/16" ORFS
*	870000099	• O-Ring	1	1/2" BSP
5	002993013	Lubricator-M6 Str	2	
6	163425	Roller	1	
7	168142-03	Strip-Rubber	2	
8	4171500	Blade-Cutter	3	
9	2198153	Roller-3"	2	
10	2198192	Saddle-Blade	3	
11	2721512	Roller-5 x 2.75 .Centered	3	
12				
13	3007764	Washer, Blade	3	
14	3008388	Adapter - Blade	3	
15	400410	Screw, 1/2-13 x 1-3/4" Hex Hd	3	
16	4177941	Motor-Deck	3	
17	4118730	Spacer 45 O/D x 20.5 I/D x 6 Thk.	4	
18	4118873	Bolt-Crg M12 x 170	2	
19	4171620	Guard-Foot	1	
20	4138579	Wheel Asm 11x4.0-5	2	
21	4150119	Wldmnt-60" Rear Discharge Deck	1	
22	4150137	Bracket-Height Adjuster LH	1	
23	4150139	Bracket-Height Adjuster RH	1	
24	4150198	Blade 21.00 OFFST LLFT	3	
25	4172184	Plate-Deck Motor Spacer	3	
26	4151817	Pin-Clevis, 1/2 x 3-3/4	2	
27	4151937	Spacer-20 x 30 x 5	4	
28	4157243	Pin-Deck Mtg, 3/4 x 4	2	
29	4172380	Serial Plate-60 Mulch Deck	1	Non Service Part
30	4157521	Wldmt-Roller Shaft	2	
31	4158943	Bracket-Antiscalp Roller Inside	2	
32	4158944	Bracket-Antiscalp Roller Outside	2	
33	4158982	Wldmt-Rear Antiscalp Bracket	1	
34	4158983	Plate-Antiscalp Bracket	2	
35	4159323	Spacer 10.5x25x4	3	
36	4163320	Caster Spacer 16x10.3x86	3	

* Not illustrated

19.3 LMAC294 152cm ENVIRODECK

Illustration Number: 4172183-3_Rev_G



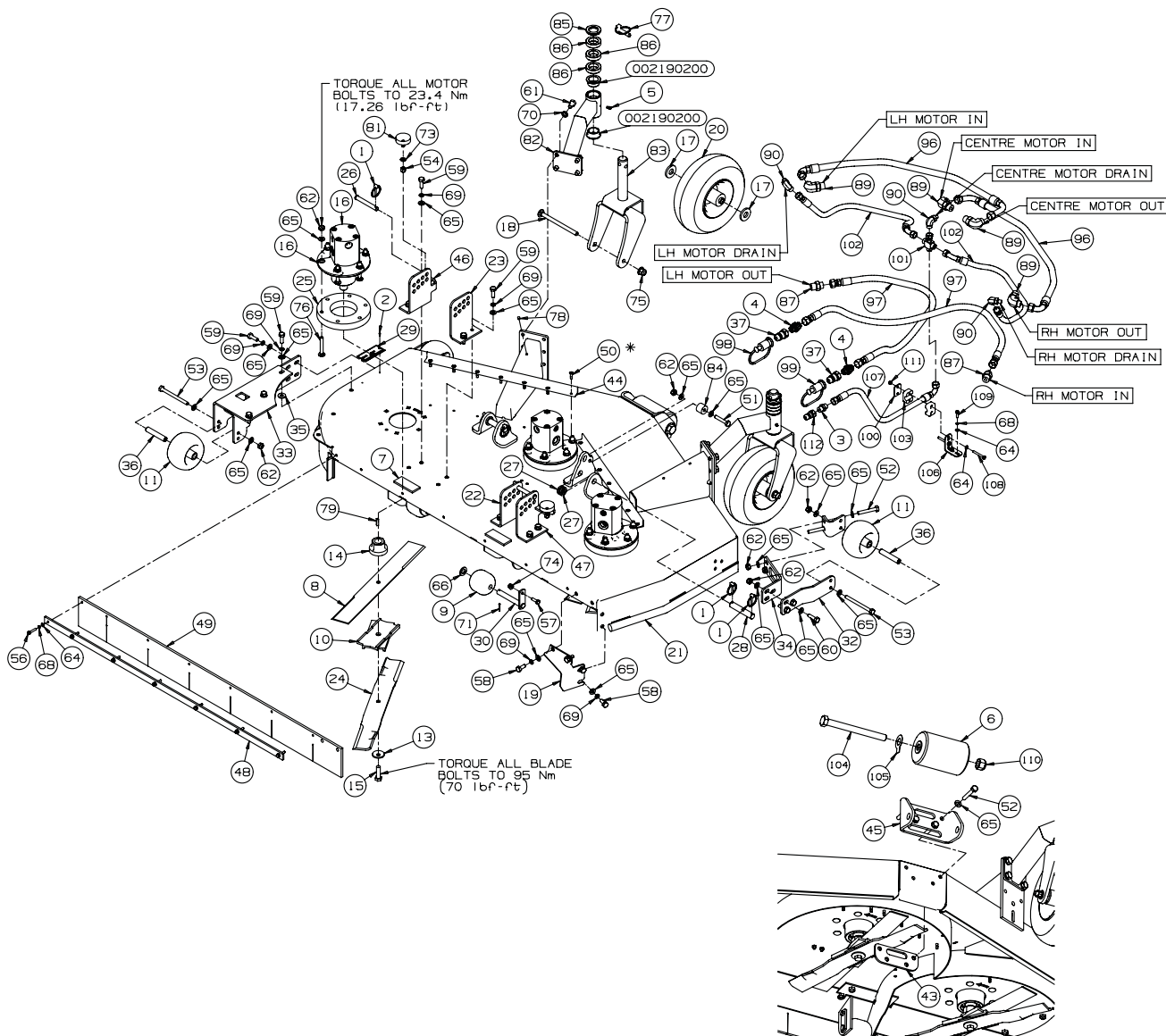
19.3 LMAC294 152cm ENVIRODECK

ITEM	PART NO.	DESCRIPTION	QTY.	
37	4163522	QRC-1/2"BSPP Male	2	
38				
39				
40				
41				
42				
43	4163637	Wldmt-Roller Bolt Backing	1	
44	4164881	Angle-Deck Stiffener 60"	2	
45	4165907	Front Roller Bracket	1	
46	4169241	Bracket-Height Adj & Bump Stop LH	1	
47	4169242	Bracket-Height Adj & Bump Stop RH	1	
48	4171580	Mounting Frame	1	
49	4171581	Rubber Flap	1	
50	4173320	Rivet-Pop 6.4 x 14 Steel	14	
51	450033	Bolt-Hex M10 x 55	1	
52	450035	Bolt-Hex M10 x 65	8	
53	450043	Bolt-Hex M10 x 120	3	
54	450120267	Nut-Hex 3/8-16 Nyloc	2	
55				
56	450173	Screw-Hex M6 x 30	7	
57	450192	Screw-Hex M8 x 25	2	
58	450214	Screw-Hex M10 x 25	4	
59	450215	Screw-Hex M10 x 30	13	
60	450216	Screw-Hex M10 x 35	6	
61	450239	Screw-Hex M12 x 20	8	
62	450379	Nut-Hex M10 Nyloc	32	
63				
64	450389	Wshr-M6 x 12.5 x 1.8	11	
65	450391	Wshr-M10 x 21 x 2.2	67	
66	450393	Wshr-M16 x 30 x 3.3	2	
67				
68	450410	Wshr-Slw M6	9	
69	450412	Wshr-Slw M10	17	
70	450424	Wshr-Slw M12	8	
71	451241	22x3.2 Dia. Pin	2	
72				
73	452000326	Wshr-3/8 x 3/4 x .072	2	
74	452436	Nut-Hex M8 Fling Nyloc	2	
75	452438	Nut-Hex M12 Fling Nyloc	2	
76	452595	Bolt-Crg M10 x 65	18	

* Not illustrated

19.3 LMAC294 152cm ENVIRODECK

Illustration Number: 4172183-3_Rev_G



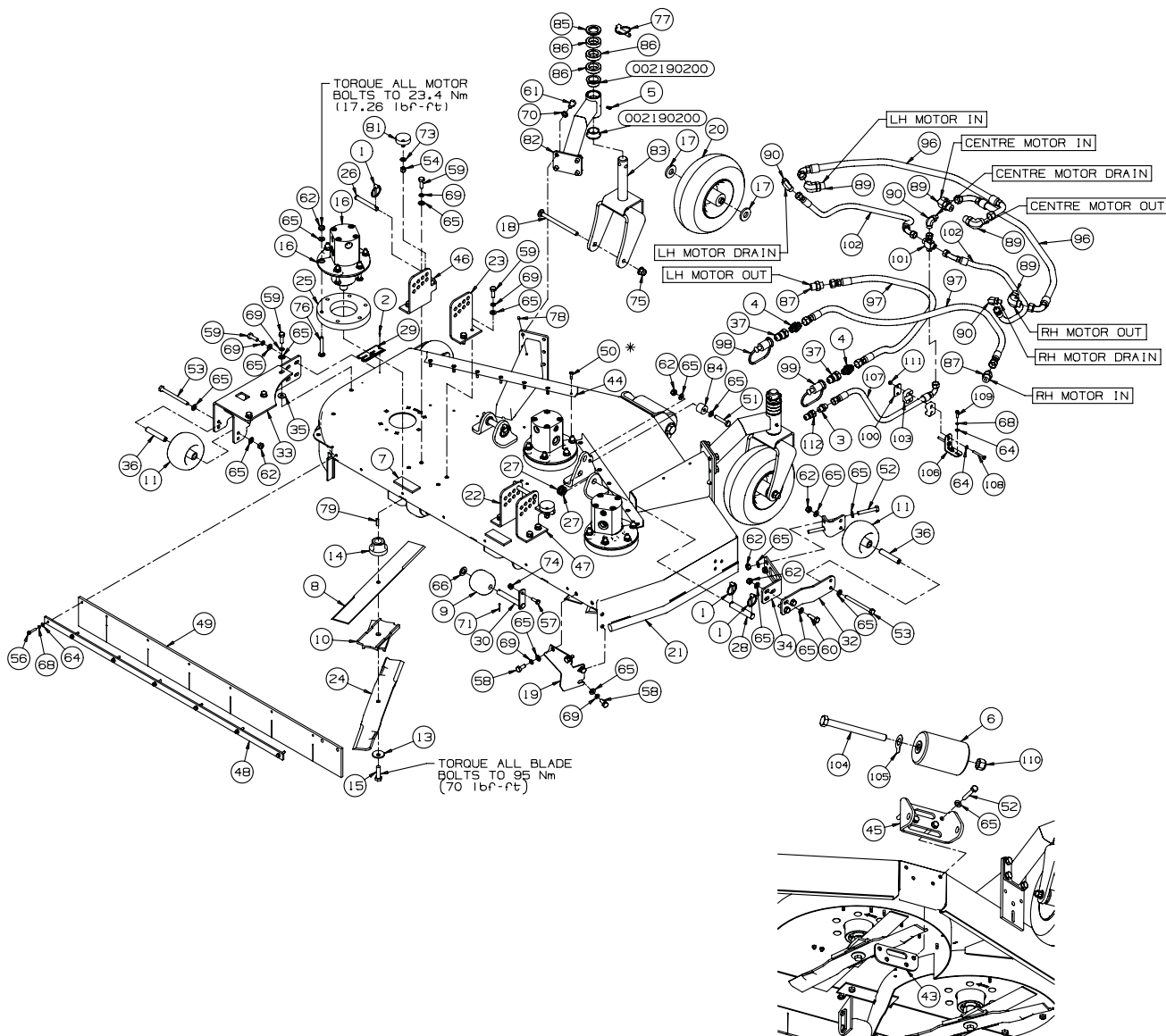
19.3 LMAC294 152cm ENVIRODECK

ITEM	PART NO.	DESCRIPTION	QTY.	
77	469009601	Spring Clip	2	
78	48517-06	Hole-Plug.250	4	
79	557523	Key, Shaft	3	
80	990010705	QRC-1/2"BSPP Female	1	
81	J361723	Bumper Stop	2	
82	MBF1936	Asm-Caster Support	2	
83	MBF1938	Asm-Yoke, 11.00 Tyre	2	
84	MBG1313.7	Spacer-11 x 30 x 24	1	
85	MBG5426	Collar-1.266" x 2" x .250"	2	
86	MBG5427	Collar-1.266" x 2" x .500"	6	
87	W158006-06	Ftg-M/M 13/16 ORS x 7/8 SAE	2	
*	158061-02	• O-Ring	1	13/16" ORFS
*	002218104	• O-Ring	1	7/8" SAE
88	W158006-10	Ftg-M/M 11/16 ORS x 7/16 SAE	1	
*	158061-01	• O-Ring	1	11/16" ORFS
*	002218049	• O-Ring	1	7/16" SAE
89	W158007-03	90-M/M 13/16 ORS x 7/8 SAE	4	
*	158061-02	• O-Ring	1	13/16 ORFS
*	002218104	• O-Ring	1	7/8" SAE
90	W158007-09	90-M/M 11/16 ORS x 7/16 SAE	3	
*	158061-01	• O-Ring	1	11/16" ORFS
*	002218049	• O-Ring	1	7/16" SAE
91				
92				
93				
94				
95				
96	4179000	Hose Assembly	2	RH & LH Motor to Centre Motor
97	4179001	Hose Assembly	2	RH & LH Motor to QRC
98	4185260	QRC Cap (Red)	1	
99	4185261	QRC Cap (Yellow)	1	
100	4185300	Plate-17.2mm Hose Clamp	1	
101	4186000	Cross-M/M/M/F 11/16 ORFS	1	
*	158061-01	• O-Ring	4	11/16" ORFS
102	4186624	Hose-L/R Motor Drain To Centre	2	
103	4186724	Jaws-17.2mm Hose Clamp	1	
104	4186861	Bolt-HEX 3/4-10 X 8	1	
105	4186960	Wwasher-Tab M20	1	
106	4187060	Bracket-Hose Clamp	1	
107	4188661	Hose-Centre Motor Drain to QRC	1	

* Not illustrated

19.3 LMAC294 152cm ENVIRODECK

Illustration Number: 4172183-3_Rev_G



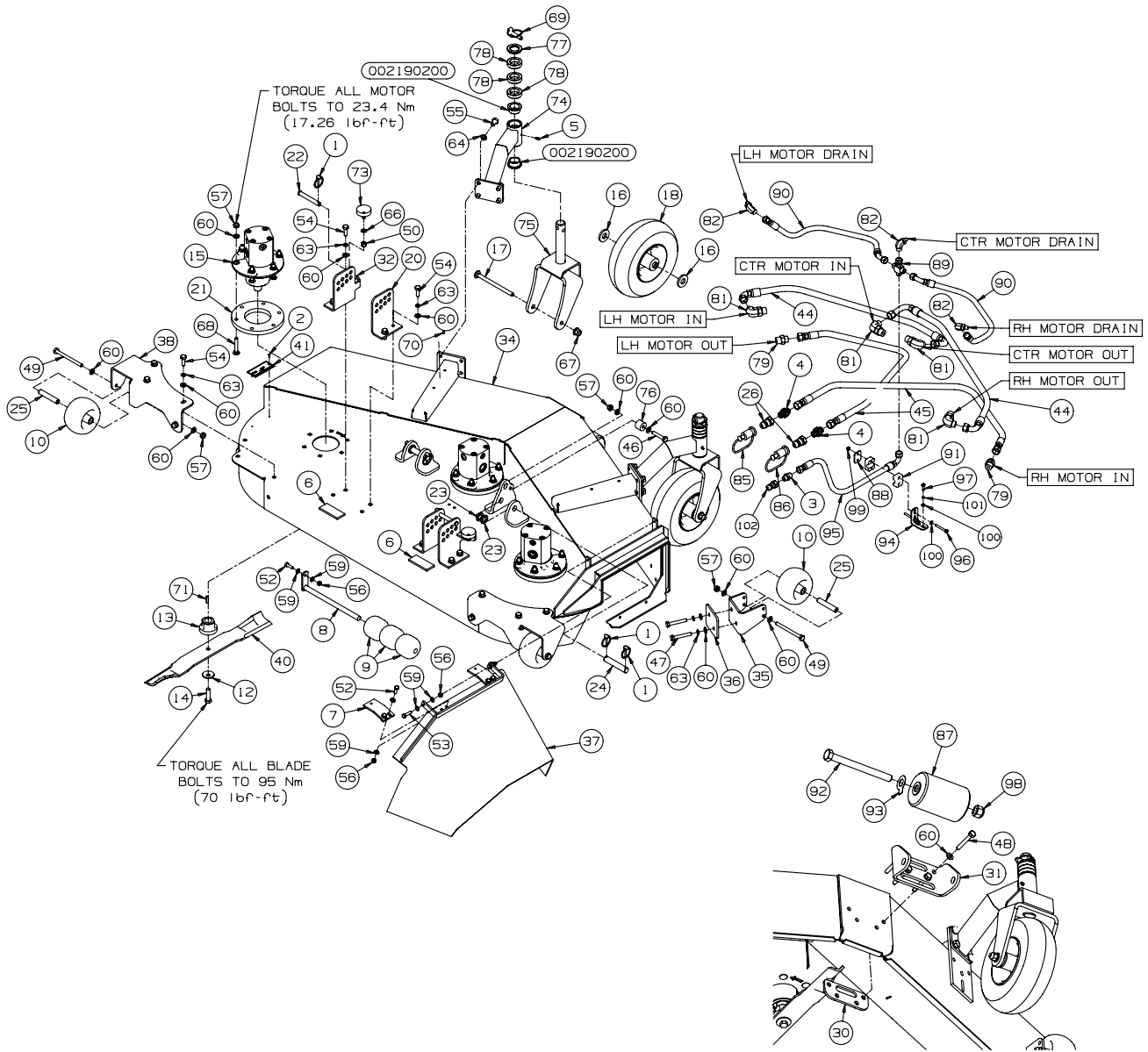
19.3 LMAC294 152cm ENVIRODECK

ITEM	PART NO.	DESCRIPTION	QTY.	
108	450005	Bolt-Hex M6 x 50	2	
109	450171	Screw-Hex M6 x 20	2	
110	450190284	Nut-Hex 3/4-10 Nyloc	1	
111	450377	Nut-Hex M6 Nyloc	2	
112	4163525	QRC-3/8"BSPP Male	1	

* Not illustrated

19.4 LMAC320 160cm SIDE DISCHARGE DECK

Illustration Number: 4175060-3_Rev_E



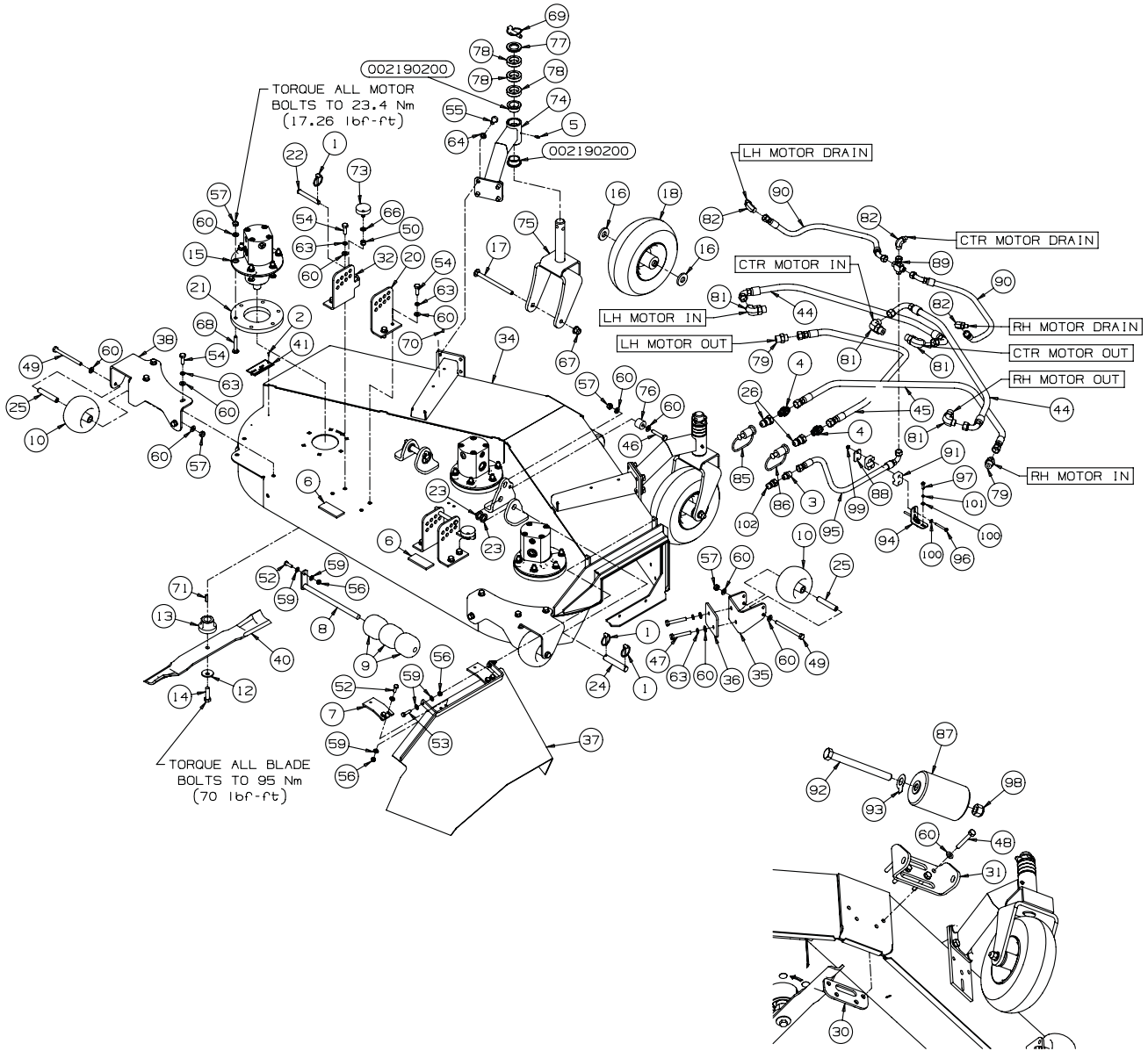
19.4 LMAC320 160cm SIDE DISCHARGE DECK

ITEM	PART NO.	DESCRIPTION	QTY.	
1	001490740	Quick Pin	6	
2	001496150	Rivet-Pop 3.2 x 10	2	
3	002590180	Ftg-11/16 ORFS x 3/8 BSPP	1	
*	158061-01	• O-Ring	1	11/16" ORFS
*	870000081	• Seal	1	3/8" BSP
4	002590190	Ftg-13/16 ORS x 1/2 BSPP	2	
*	158061-02	• O-Ring	1	13/16" ORFS
*	870000099	• O-Ring	1	1/2" BSP
5	002993013	Lubricator-M6 Str	2	
6	168142-03	Strip-Rubber	2	
7	172257.7	Stop-Chute	2	
8	2196190	Wldmt-Shaft Roller	1	
9	2198153	Roller-3"	3	
10	2721512	Roller-5 x 2.75 .Centered	4	
11				
12	3007764	Washer, Blade	3	
13	3008388	Adapter - Blade	3	
14	400410	Screw, 1/2-13 x 1-3/4" Hex Hd	3	
15	4177941	Motor-Deck	3	
16	4118730	Spacer 45 O/D x 20.5 I/D x 6 Thk	4	
17	4118873	Bolt-Crg M12 x 170	2	
18	4138579	Wheel Asm 11x4.0-5	2	
19	4150137	Bracket-Height Adjuster LH	1	
20	4150139	Bracket-Height Adjuster RH	1	
21	4150279	Plate-Deck Motor Spacer	3	
22	4151817	Pin-Clevis, 1/2 x 3-3/4	2	
23	4151937	Spacer-20 x 30 x 5	4	
24	4157243	Pin-Deck Mtg, 3/4 x 4	2	
25	4163320	Caster Spacer 16x10.3x86	4	
26	4163522	QRC-1/2"BSPP Male	2	
27				
28				
29				
30	4163637	Wldmt-Roller Bolt Backing	1	
31	4165907	Front Roller Bracket	1	
32	4169241	Brkt-Height Adj & Bump Stop LH	1	
33	4169242	Brkt-Height Adj & Bump Stop RH	1	
34	4175061	Wldmt-160 Sd Deck	1	
35	4175201	Wldmt-Antiscalp Roller Brkt	2	
36	4175202	Plate-Antiscalp Roller Stiffener	2	

* Not illustrated

19.4 LMAC320 160cm SIDE DISCHARGE DECK

Illustration Number: 4175060-3_Rev_E



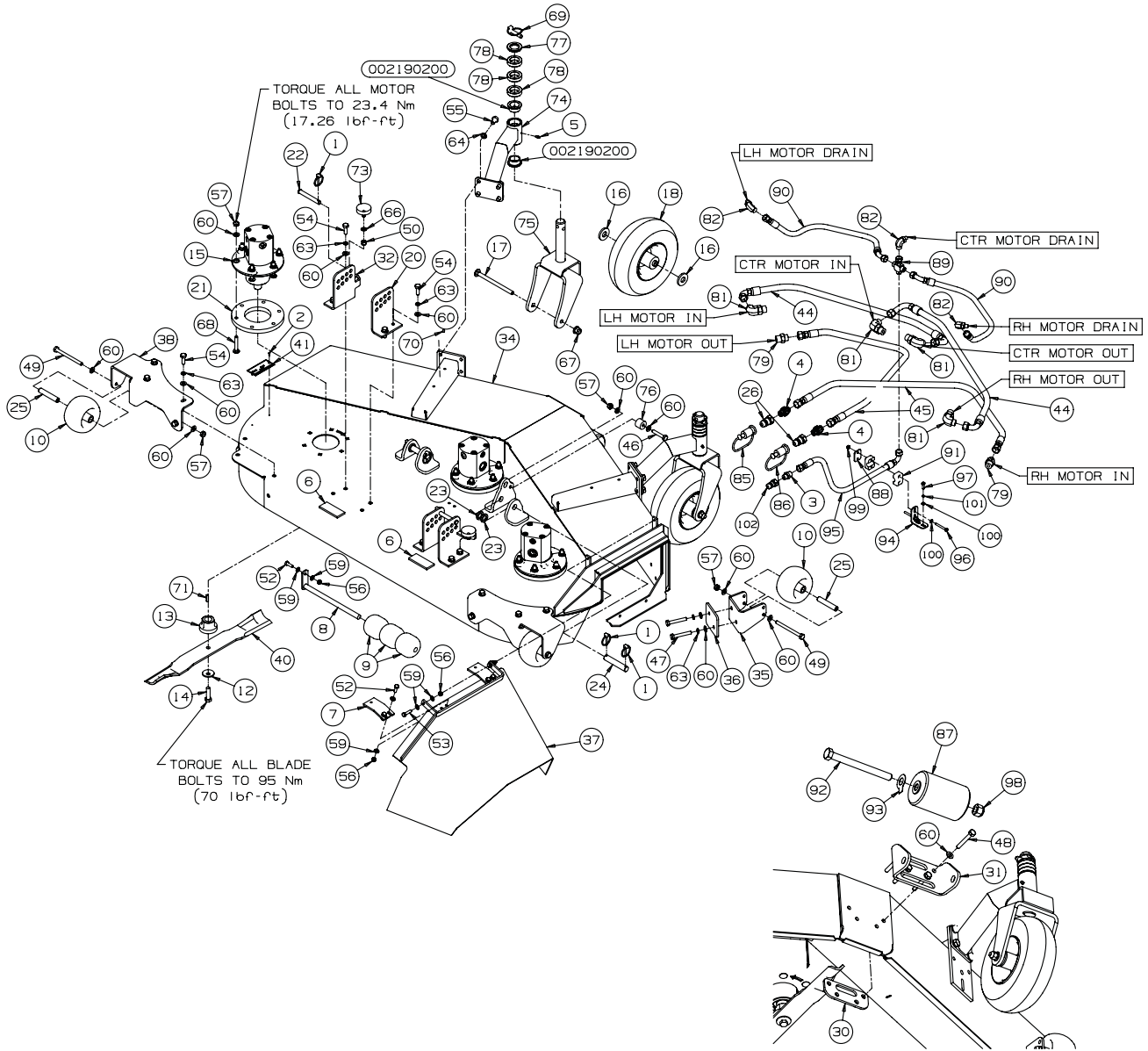
19.4 LMAC320 160cm SIDE DISCHARGE DECK

ITEM	PART NO.	DESCRIPTION	QTY.	
37	4175203	Wldmt-Chute, 160 Sd Deck	1	
38	4175207	Brkt-Rear LH Antiscalp Roller	1	
39	4175209	Brkt-Rear RH Antiscalp Roller	1	
40	4176600	Blade 22.00 OFFST HLFT	3	
41	4176766	Serial Plate-160SD Deck	1	Non Service Part
44	4179001	Hose Assembly	2	RH & LH Motor to QRC
45	4179000	Hose Assembly	2	RH & LH Motor to Centre Motor
46	450033	Bolt-Hex M10 x 55	1	
47	450035	Bolt-Hex M10 x 65	4	
48	450036	Bolt-Hex M10 x 70	4	
49	450043	Bolt-Hex M10 x 120	4	
50	450120267	Nut-Hex 3/8-16 Nyloc	2	
51				
52	450192	Screw-Hex M8 x 25	5	
53	450193	Screw-Hex M8 x 30	2	
54	450215	Screw-Hex M10 x 30	16	
55	450239	Screw-Hex M12 x 20	8	
56	450378	Nut-Hex M8 Nyloc	7	
57	450379	Nut-Hex M10 Nyloc	22	
58				
59	450390	Wshr-M8 x 17 x 1.8	14	
60	450391	Wshr-M10 x 21 x 2.2	52	
62				
63	450412	Wshr-Slw M10	20	
64	450424	Wshr-Slw M12	8	
65				
66	452000326	Wshr-3/8 x 3/4 x .072	2	
67	452438	Nut-Hex M12 Flng Nyloc	2	
68	452592	Bolt-Crg M10 x 60	18	
68	4272892	Bolt-Crg M10 x 60 (grade 8.8)	18	
69	469009601	Spring Clip	2	
70	48517-06	Hole-Plug.250	4	
71	557523	Key, Shaft	3	
72				
73	J361723	Bumper Stop	2	
74	MBF1936	Asm-Caster Support	2	
75	MBF1938	Asm-Yoke, 11.00 Tyre	2	
76	MBG1313.7	Spacer-11 x 30 x 24	1	
77	MBG5426	Collar-1.266" x 2" x .250"	2	
78	MBG5427	Collar-1.266" x 2" x .500"	6	

* Not illustrated

19.4 LMAC320 160cm SIDE DISCHARGE DECK

Illustration Number: 4175060-3_Rev_E



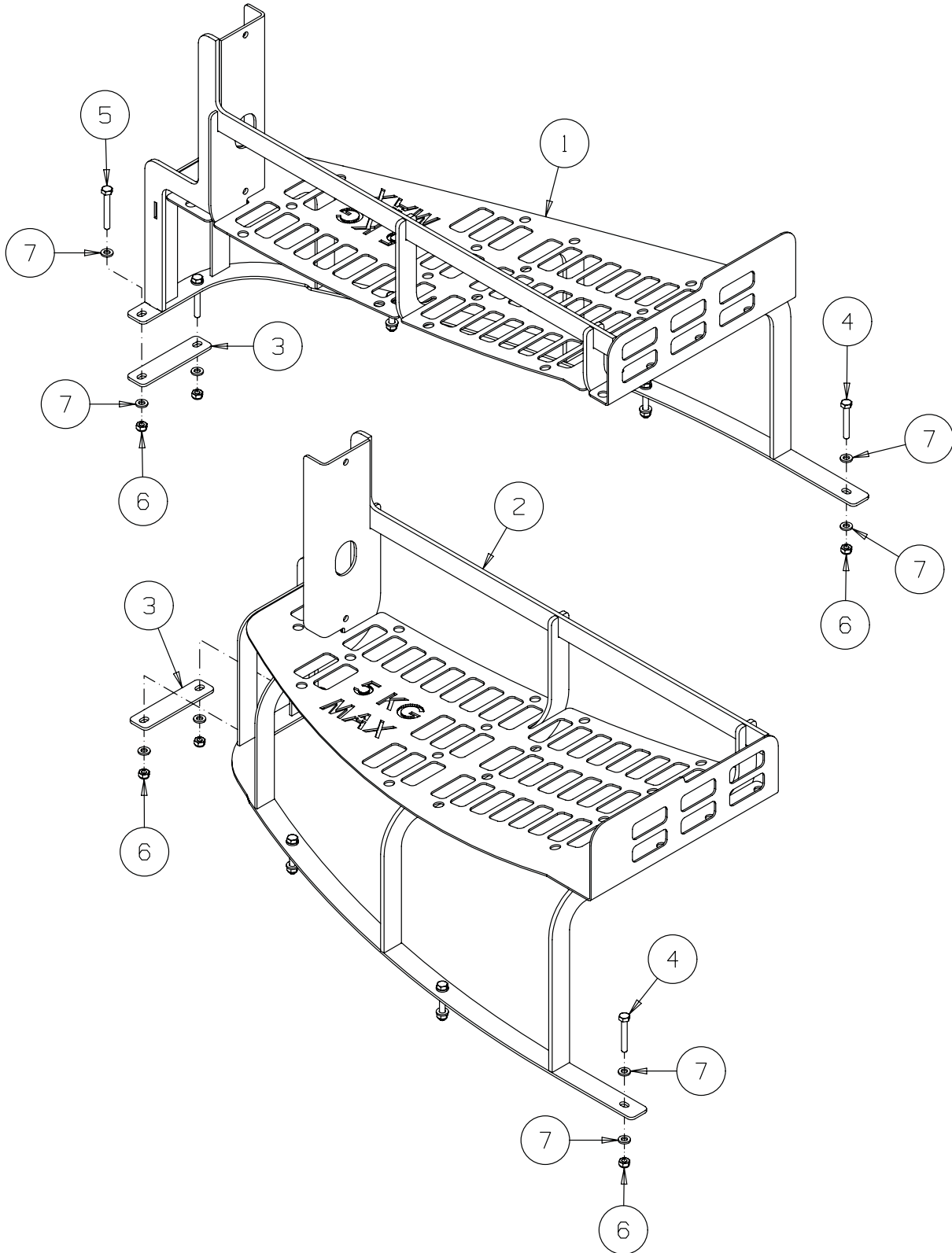
19.4 LMAC320 160cm SIDE DISCHARGE DECK

ITEM	PART NO.	DESCRIPTION	QTY.	
79	W158006-06	Ftg-M/M 13/16 ORS x 7/8 SAE	2	
*	158061-02	• O-Ring	1	13/16" ORFS
*	002218104	• O-Ring	1	7/8" SAE
80				
81	W158007-03	90-M/M 13/16 ORS x 7/8 SAE	4	
*	158061-02	• O-Ring	1	13/16 ORFS
*	002218104	• O-Ring	1	7/8" SAE
82	W158007-09	90-M/M 11/16 ORS x 7/16 SAE	3	
*	158061-01	• O-Ring	1	11/16" ORFS
*	002218049	• O-Ring	1	7/16" SAE
83	W158010-01	Fitting - ORS Run Tree	1	
*	158061-01	• O-Ring	2	11/16" ORFS
84	W69057-01	Tee-M/M/F 11/16 ORS	1	
*	158061-01	• O-Ring	2	11/16" ORFS
85	4185260	QRC Cap (Red)	1	
86	4185261	QRC Cap (Yellow)	1	
87	163425	Roller	1	
88	4185300	Plate-17.2mm Hose Clamp	1	
89	4186000	Cross-M/M/M/F 11/16 ORFS	1	
*	158061-01	• O-Ring	2	11/16" ORFS
90	4186624	Hose-L/R Motor Drain To Centre	2	
91	4186724	Jaws-17.2mm Hose Clamp	1	
92	4186861	Bolt-Hex 3/4-10 x 8	1	
93	4186960	Washer-Tab M20	1	
94	4187060	Bracket-Hose Clamp	1	
95	4188221	Hose-Centre Motor Drain To QRC	1	
96	450005	Bolt-Hex M6 x 50	2	
97	450171	Screw-Hex M6 x 20	2	
98	450190284	Nut-Hex 3/4-10 Nyloc	1	
99	450377	Nut-Hex M6 Nyloc	2	
100	450389	Wshr-M6 x 12.5 x 1.8	4	
101	450410	Wshr-Slw M6	2	
102	4163525	QRC-3/8" BSPP Male	1	

* Not illustrated

19.5 LMAC456 KIT-STORAGE RACKS

Illustration Number: LMAC456



19.5 LMAC456 KIT-STORAGE RACKS

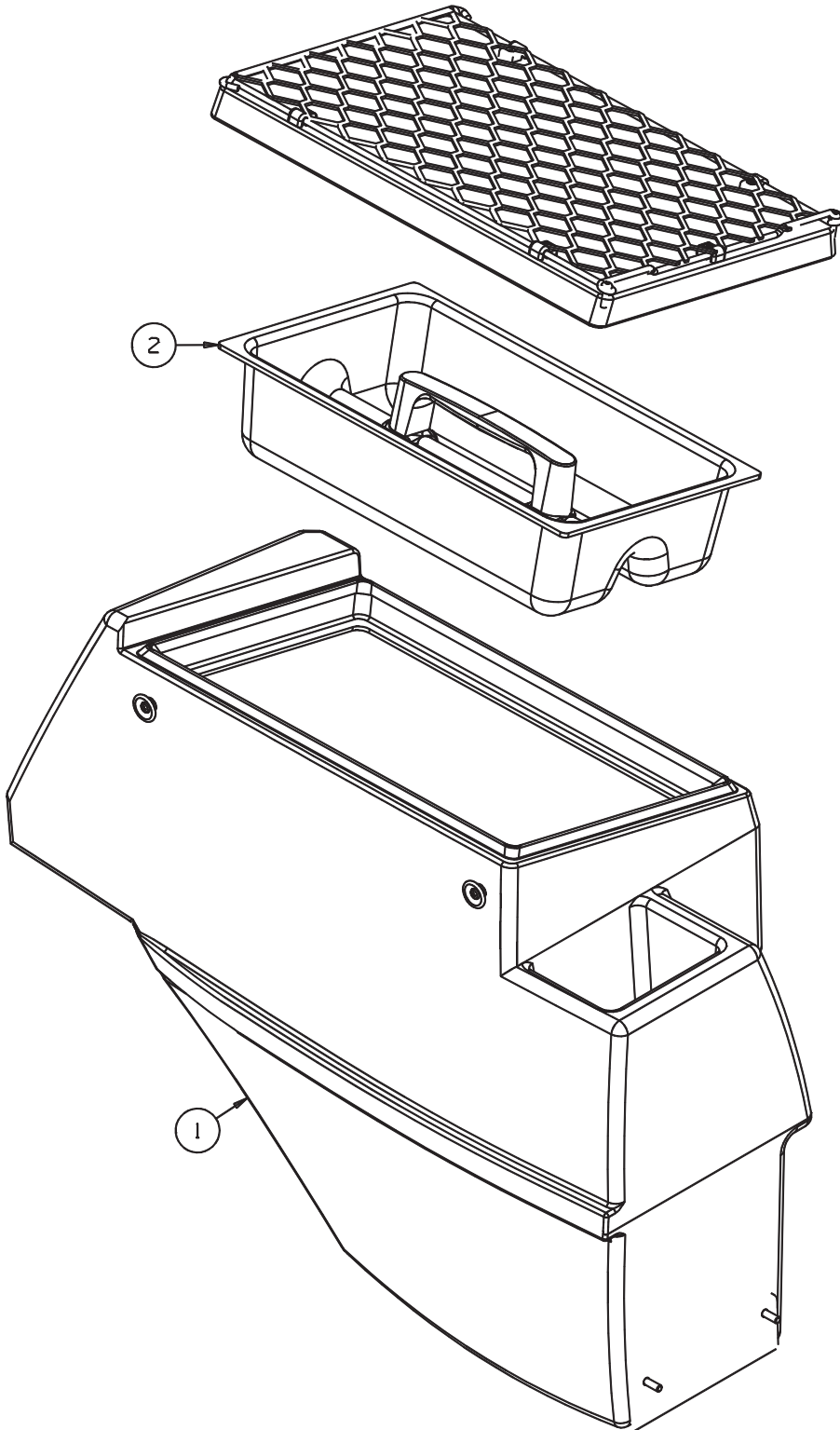
ITEM	PART NO.	DESCRIPTION	QTY.	
1	4252543	Wldmt-LH Storage Rack	1	
2	4252544	Wldmt-RH Storage Rack	1	
3	4252549	Plate-Storage Racks	2	
4	450003	Bolt-Hex M6-1.0 x 40, Gr 8.8	6	
5	450004	Bolt-Hex M6-1.0 x 45, Gr 8.8	4	
6	450377	Nut-Hex M6-1.0, Gr 8, Nyloc	10	
7	450389	Wshr-M6 x 12.5 x 1.8	20	

* Not illustrated

19.6 LMAC271 KIT-STORAGE BOX

Illustration Number: LMAC271

STORAGE BOX & TRAY



19.6 LMAC271 KIT-STORAGE BOX

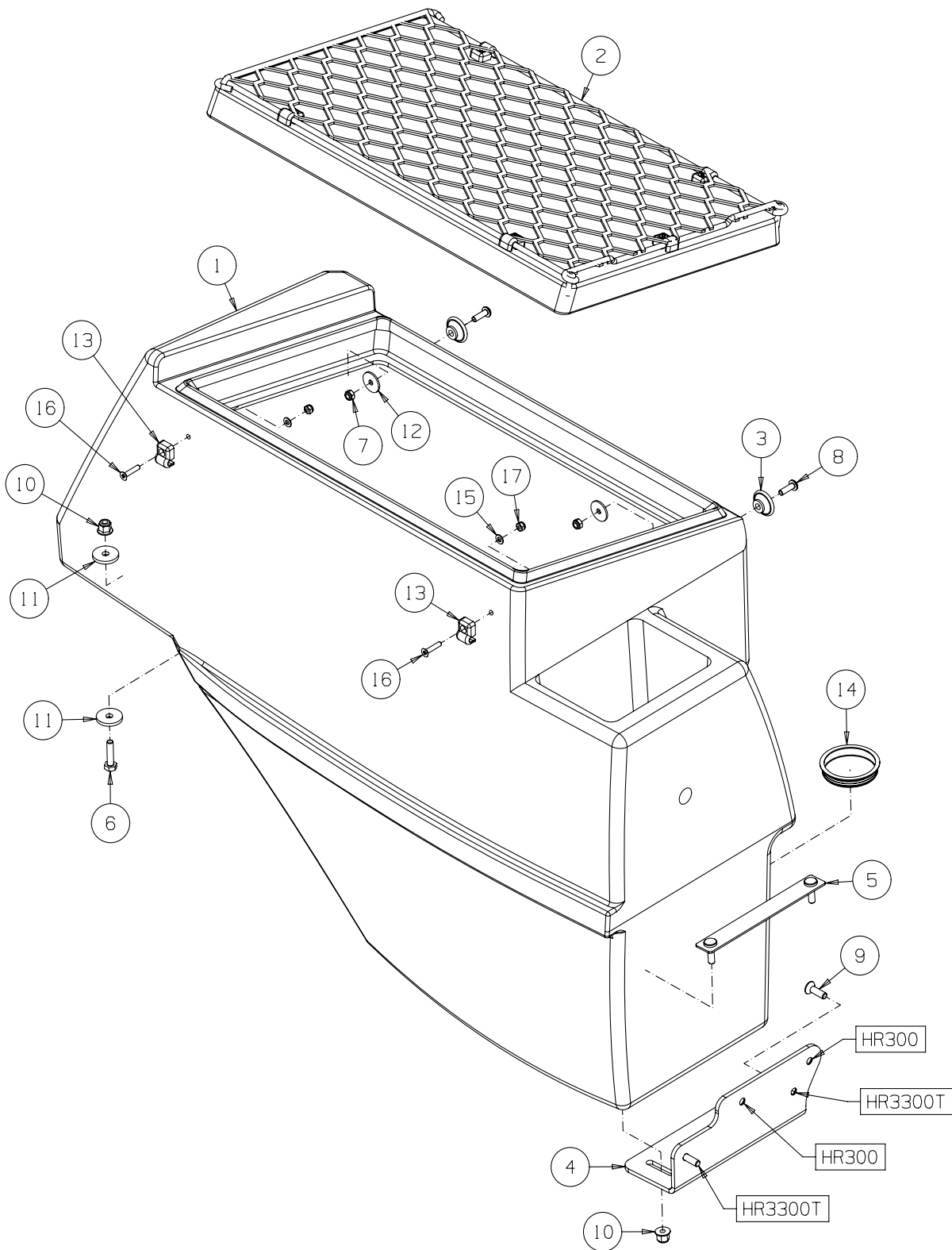
ITEM	PART NO.	DESCRIPTION	QTY.	
1	4174760	Fitted Asm-Storage Box	1	
2	4177200	Fitted Asm-Tray, Storage Box	1	

* Not illustrated

19.6 LMAC271 KIT-STORAGE BOX

Illustration Number: 4174760-2

STORAGE BOX ASSEMBLY



19.6 LMAC271 KIT-STORAGE BOX

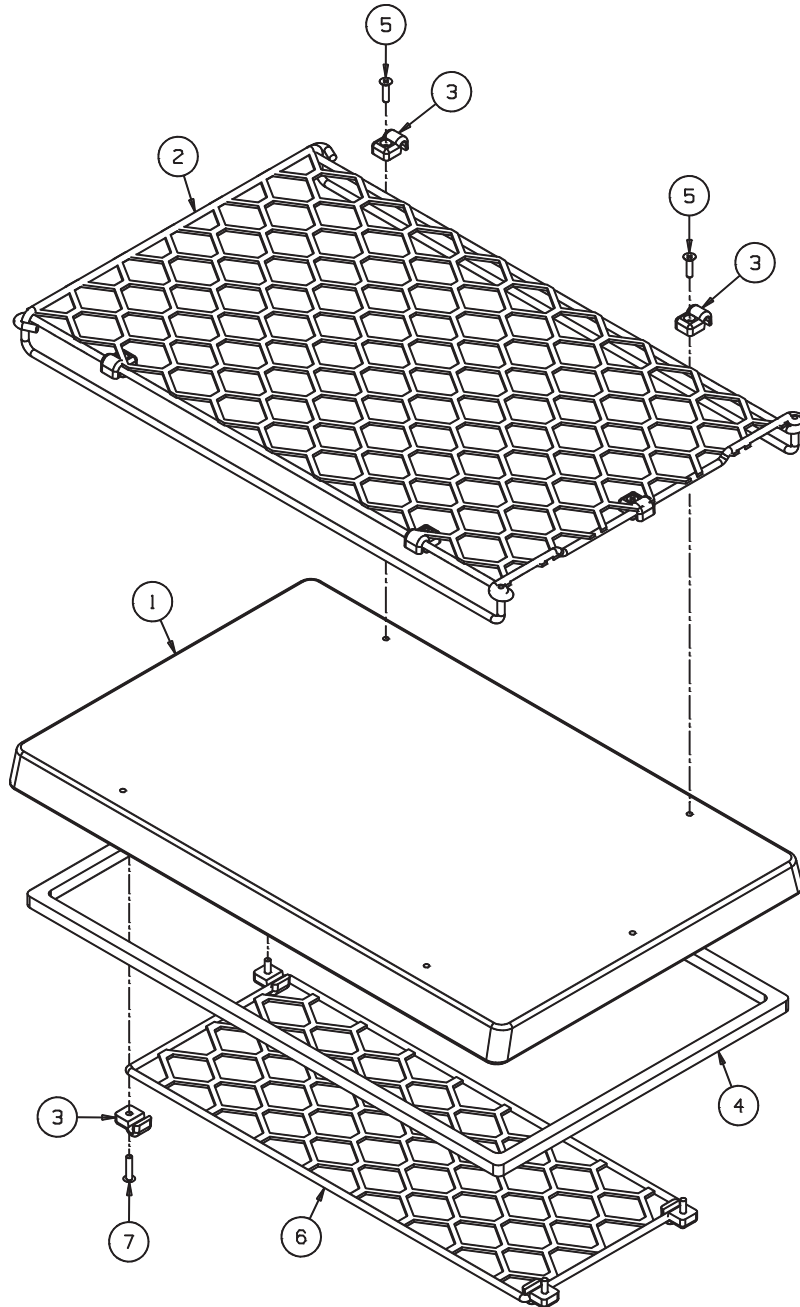
ITEM	PART NO.	DESCRIPTION	QTY.	
1	4174761	Storage Box	1	
2	4174860	Fitted Asm-Lid, Storage Box	1	
3	4177440	Lashing Cleat-Storage Box	2	
4	4180442	Bracket-Mtg, Storage Box	1	
5	4180620	Wldmt-Clamp Plate	1	
6	450172	Screw-Hex M6 x 25	1	
7	450376	Nut-Hex M5 Nyloc	2	
8	450528	Screw-Pan Hd M5 x 16	2	
9	450853	Screw-Sckt Csk M6 x 20	2	
10	452435	Nut-Hex M6 FIng Nyloc	3	
11	MBF0443	Wshr-6.5 x 24 x 3	2	
12	MBF1635	Wshr-5 x 20 x 1.6	4	
13	4174764	Clamping Bracket-Cargo Net	2	
14	4184860	Drain Plug	1	
15	450387	Wshr-M4 x 9 x 0.9	2	
16	450597	Screw-Csk M4 x 20	2	
17	452717	Nut-Hex M4 Nyloc	2	

* Not illustrated

19.6 LMAC271 KIT-STORAGE BOX

Illustration Number: 4174860

LID ASSEMBLY



19.6 LMAC271 KIT-STORAGE BOX

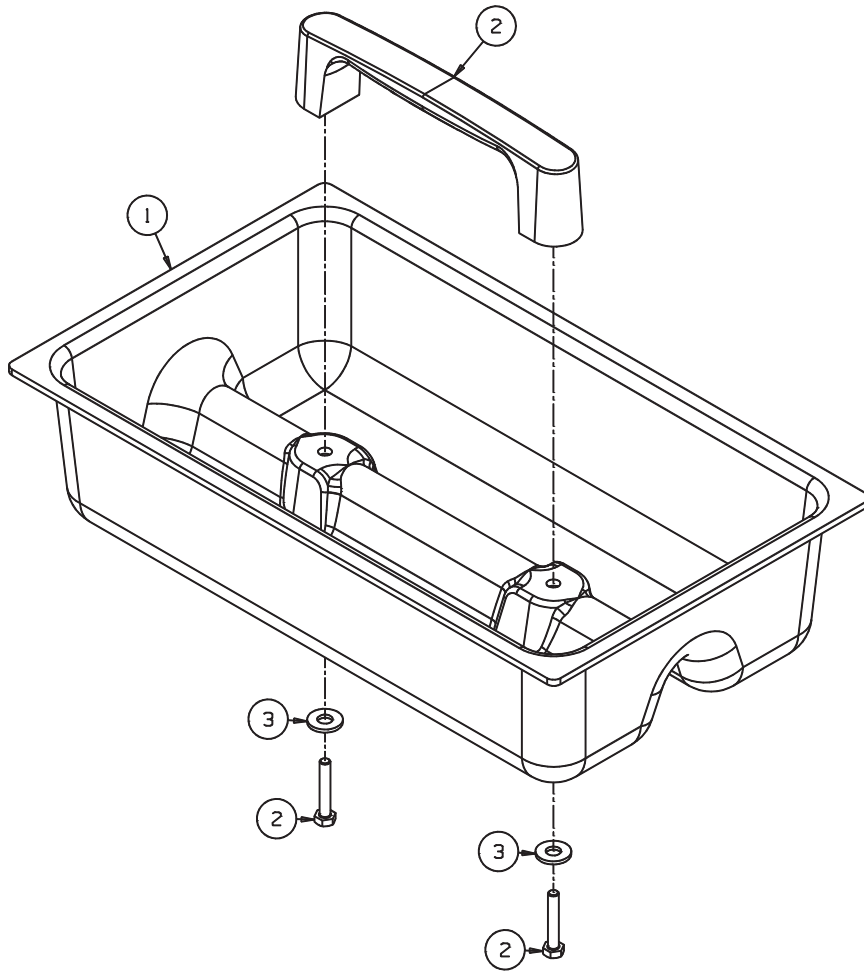
ITEM	PART NO.	DESCRIPTION	QTY.	
1	4174762	Lid-Storage Box	1	
2	4174763	Cargo Net-Storage Box	1	
3	4174764	Clamping Bracket-Cargo Net	9	
4	4176320	Seal-Lid, Storage Box	1	
5	450596	Screw-Csk M4 x 16	5	
6	4180000	Cargo Net-Inside, Storage Box	1	
7	4181700	Rivet-Pop 4.0 x 18	4	

* Not illustrated

19.6 LMAC271 KIT-STORAGE BOX

Illustration Number: 4177200

TRAY ASSEMBLY



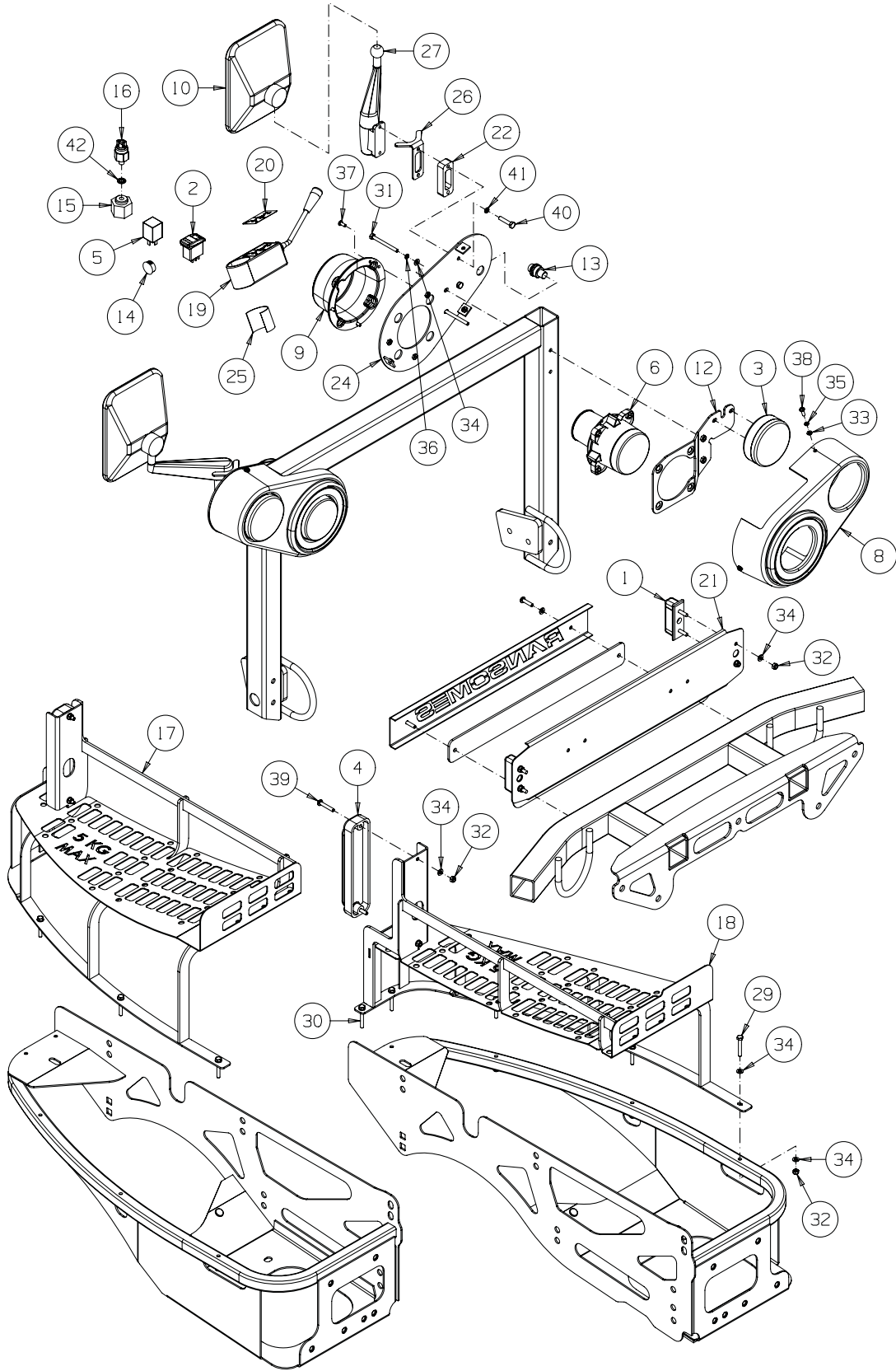
19.6 LMAC271 KIT-STORAGE BOX

ITEM	PART NO.	DESCRIPTION	QTY.	
1	4177160	Tray-Storage Box	1	
2	4177180	Handle-Tray	1	
3	001594010	Wshr-0.328 x 0.75 x 14 GA	2	

* Not illustrated

19.7 LMAC466 KIT-LIGHTS 152cm DECK

Illustration Number: LMAC466



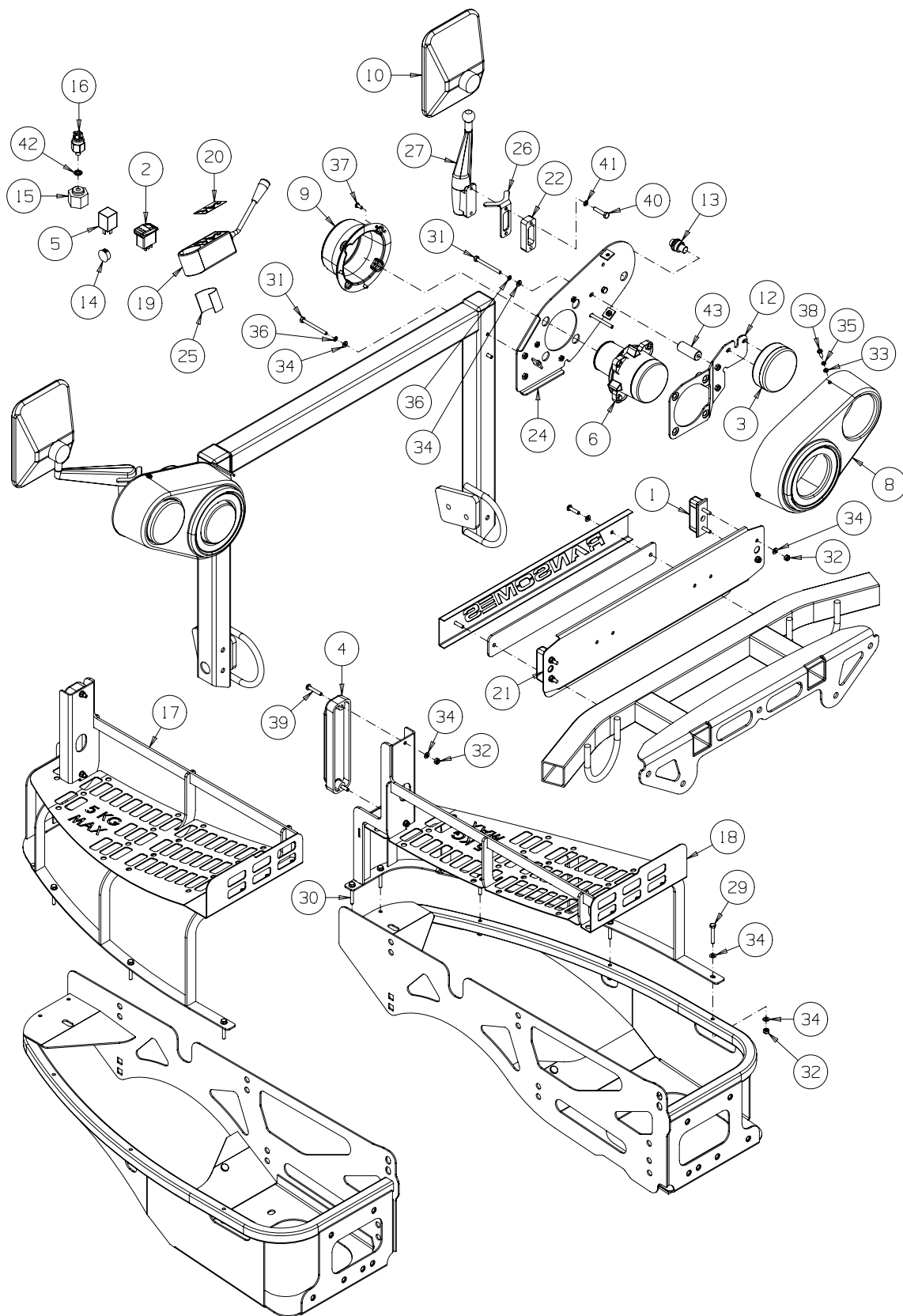
19.7 LMAC466 KIT-LIGHTS 152cm DECK

ITEM	PART NO.	DESCRIPTION	QTY.
1	008231811	Light-Number Plate	2
*	008231748	Light Bulb	2
2	4138892	Hazard Switch (Blk)	1
3	4161623	Side Indicator Lamp	2
4	4161624	Rear Light Cluster	2
5	4161625	Relay-Flasher	1
6	4161780	Work/Headlamp	2
*	4174040	• Headlamp Adjuster - Set	2
7	4165801	Front Cover-Light Cluster RH	1
8	4165802	Front Cover-Light Cluster LH	1
9	4165803	Rear Cover-Work/Headlamp	2
10	4167120	Mirror, Unbreakable	2
11	4170900	Wldmt-RH Light Bracket	1
12	4170901	Wldmt-LH Light Bracket	1
13	4172461	Indicator Repeater Lens	2
14	4179501	Dome Plug	1
15	4188360	Test Point-1/3 BSPP x 1-3/16 ORS	1
16	4198561	Pressure Switch (Brake Lights)	1
17	4252544	Wldmt-RH Storage Rack	1
18	4252543	Wldmt-LH Storage Rack	1
19	4213986	Light Stem/Indicator Stalk	1
20	4214280	Decal-Lighting Stalk	1
21	4221720	Bracket-Number Plate Holder	1
22	4223681	Mirror Spacer Plate	2
23	4223682	Wldmt-RH Front Light Backing	1
24	4223683	Wldmt-LH Front Light Backing	1
25	4223820	Anti Slip-Indicator Stalk	1
26	4224920	Mirror Stalk Stop	2
27	4226040	Mirror Arm	2
28	4226041	Mirror Adaptor Kit	2
29	450003	Bolt-Hex M6-1.0 x 40, Gr 8.8	6
30	450004	Bolt-Hex M6-1.0 x 45, Gr 8.8	4
31	450008	Bolt-Hex M6-1.0 x 65, Gr 8.8	4
32	450377	Nut-Hex M6-1.0, Gr 8, Nyloc	18
33	450388	Wshr-M5 x 10 x 1.1	6
34	450389	Wshr-M6 x 12.5 x 1.8	32
35	450409	Lockwshr-M5 x 8.55 x 1.5	6
36	450410	Lockwshr-M6 x 9.6 x 1.5	4
37	450526	Screw-Pan Hd M5-0.8 x 12, Gr 4.8	6
38	450528	Screw-Pan Hd M5-0.8 x 16, Gr 4.8	6
39	450545	Screw-Pan Hd M6-1.0 x 35, Gr 4.8	4
40	451030099	Bolt-Hex 1/4-28 x 1.1/4, Gr S	4
41	452200029	Lockwshr-1/4 x .425 x .072	4
42	870000065	1/8 BSP Dowty Washer	1
*	4161784	• Front Wiring Harness	2
*	4224000	• Number Plate Wiring Harness	1

* Not illustrated

19.8 LMAC467 KIT-LIGHTS 183cm DECK

Illustration Number: LMAC467



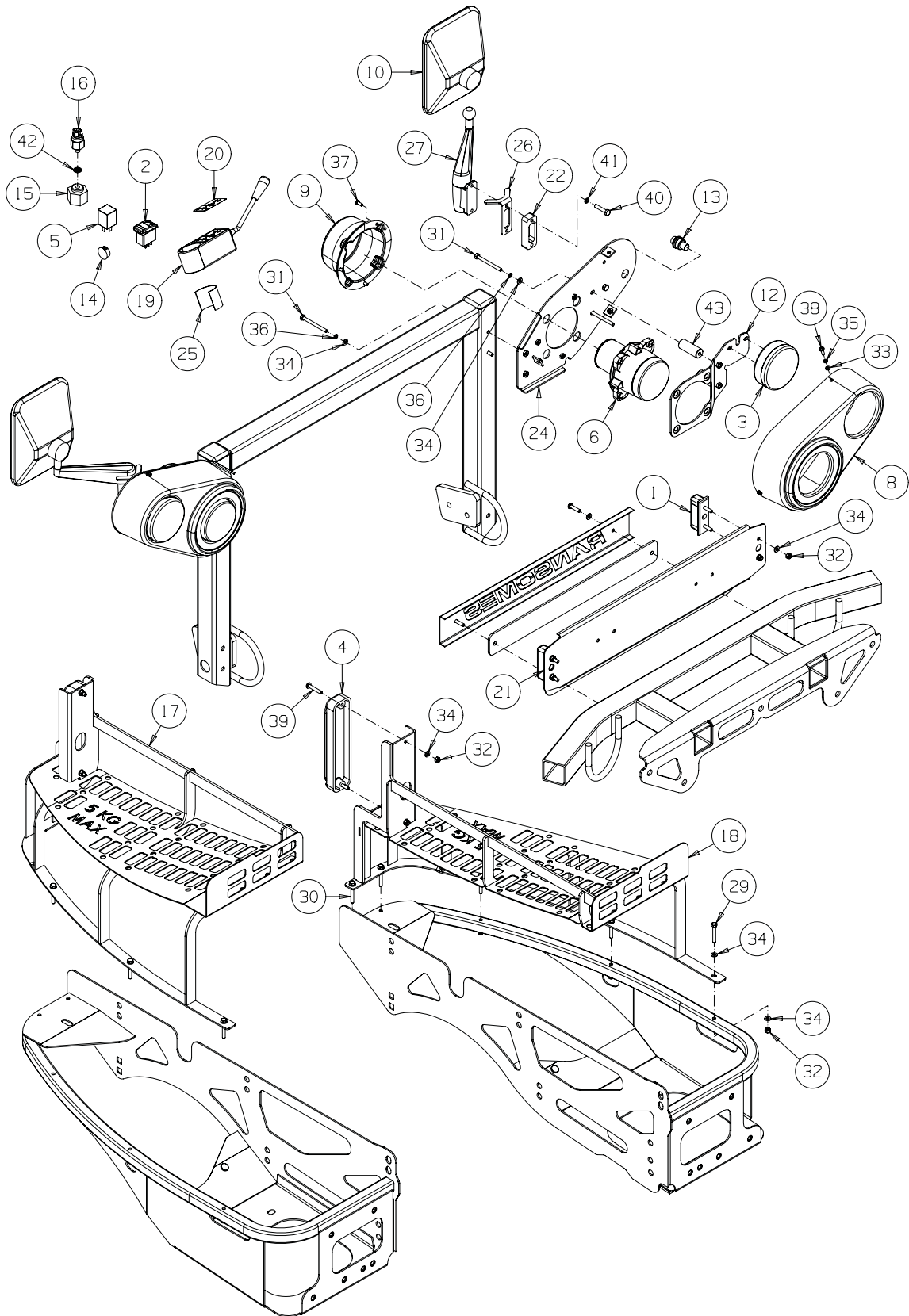
19.8 LMAC467 KIT-LIGHTS 183cm DECK

ITEM	PART NO.	DESCRIPTION	QTY.	
1	008231811	Light-Number Plate	2	
2	4138892	Hazard Switch (Blk)	1	
3	4161623	Side Indicator Lamp	2	
4	4161624	Rear Light Cluster	2	
5	4161625	Relay-Flasher	1	
6	4161780	Work/Headlamp	2	
*	4174040	• Headlamp Adjuster - Set	2	
7	4175367	Front Cover-Light Cluster RH (72")	1	
8	4175368	Front Cover-Light Cluster LH(72")	1	
9	4165803	Rear Cover-Work/Headlamp	2	
10	4167120	Mirror, Unbreakable	2	
11	4170900	Wldmt-RH Light Bracket	1	
12	4170901	Wldmt-LH Light Bracket	1	
13	4172461	Indicator Repeater Lens	2	
14	4179501	Dome Plug	1	
15	4188360	Test Point-1/3 BSPP x 1-3/16 ORS	1	
16	4198561	Pressure Switch (Brake Lights)	1	
17	4252544	Wldmt-RH Storage Rack	1	
18	4252543	Wldmt-LH Storage Rack	1	
19	4213986	Light Stem/Indicator Stalk	1	
20	4214280	Decal-Lighting Stalk	1	
21	4221720	Bracket-Number Plate Holder	1	
22	4223681	Mirror Spacer Plate	2	
23	4175360	Wldmt-RH Front Light Backing	1	
24	4175361	Wldmt-LH Front Light Backing (72")	1	
25	4223820	Anti Slip-Indicator Stalk	1	
26	4224920	Mirror Stalk Stop	2	
27	4226040	Mirror Arm	2	
28	4226041	Mirror Adaptor Kit	2	
29	450003	Bolt-Hex M6-1.0 x 40, Gr 8.8	6	
30	450004	Bolt-Hex M6-1.0 x 45, Gr 8.8	4	
31	450008	Bolt-Hex M6-1.0 x 65, Gr 8.8	8	
32	450377	Nut-Hex M6-1.0, Gr 8, Nyloc	18	
33	450388	Wshr-M5 x 10 x 1.1	6	
34	450389	Wshr-M6 x 12.5 x 1.8	36	
35	450409	Lockwshr-M5 x 8.55 x 1.5	6	
36	450410	Lockwshr-M6 x 9.6 x 1.5	8	
37	450526	Screw-Pan Hd M5-0.8 x 12, Gr 4.8	6	
38	450528	Screw-Pan Hd M5-0.8 x 16, Gr 4.8	6	
39	450545	Screw-Pan Hd M6-1.0 x 35, Gr 4.8	4	

* Not illustrated

19.8 LMAC467 KIT-LIGHTS 183cm DECK

Illustration Number: LMAC467



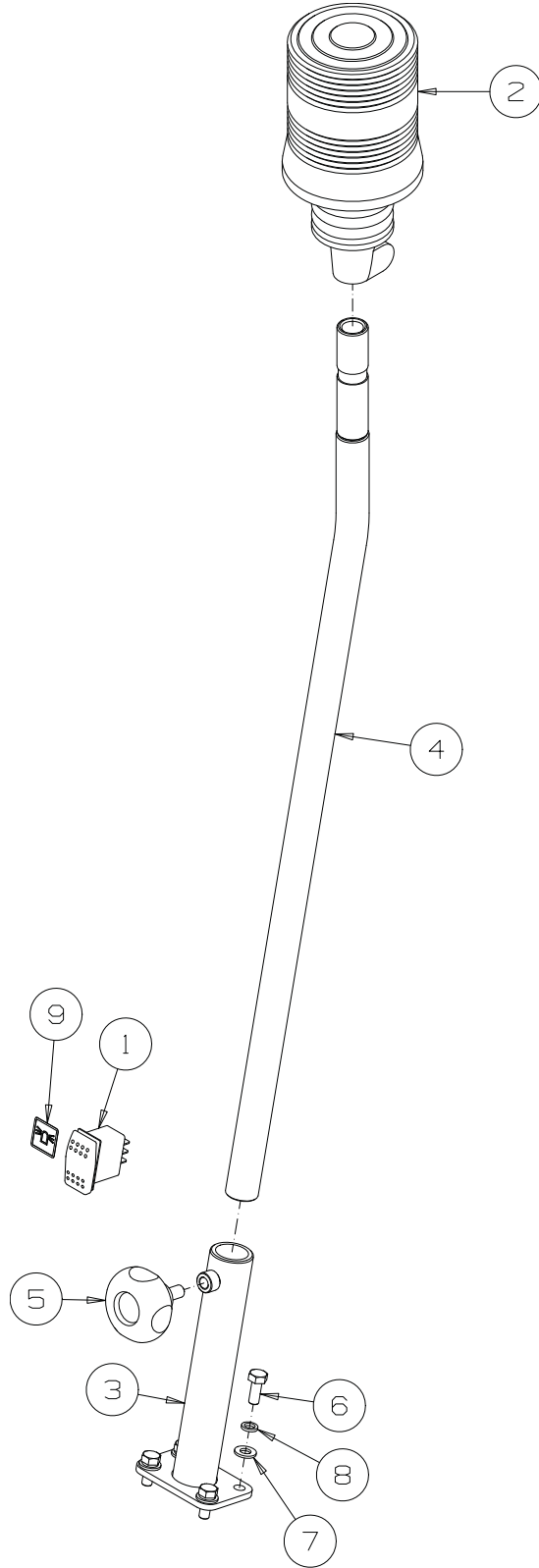
19.8 LMAC467 KIT-LIGHTS 183cm DECK

ITEM	PART NO.	DESCRIPTION	QTY.	
40	451030099	Bolt-Hex 1/4-28 x 1.1/4, Gr S	4	
41	452200029	Lockwshr-1/4 x .425 x .072	4	
42	870000065	1/8 BSP Dowty Washer	1	
43	4175520	Spacer-20 x 7 x 50	4	
*	4161784	• Front Wiring Harness	2	
*	4224000	• Number Plate Wiring Harness	1	

* Not illustrated

19.9 LMAC383 KIT-BEACON

Illustration Number: LMAC383



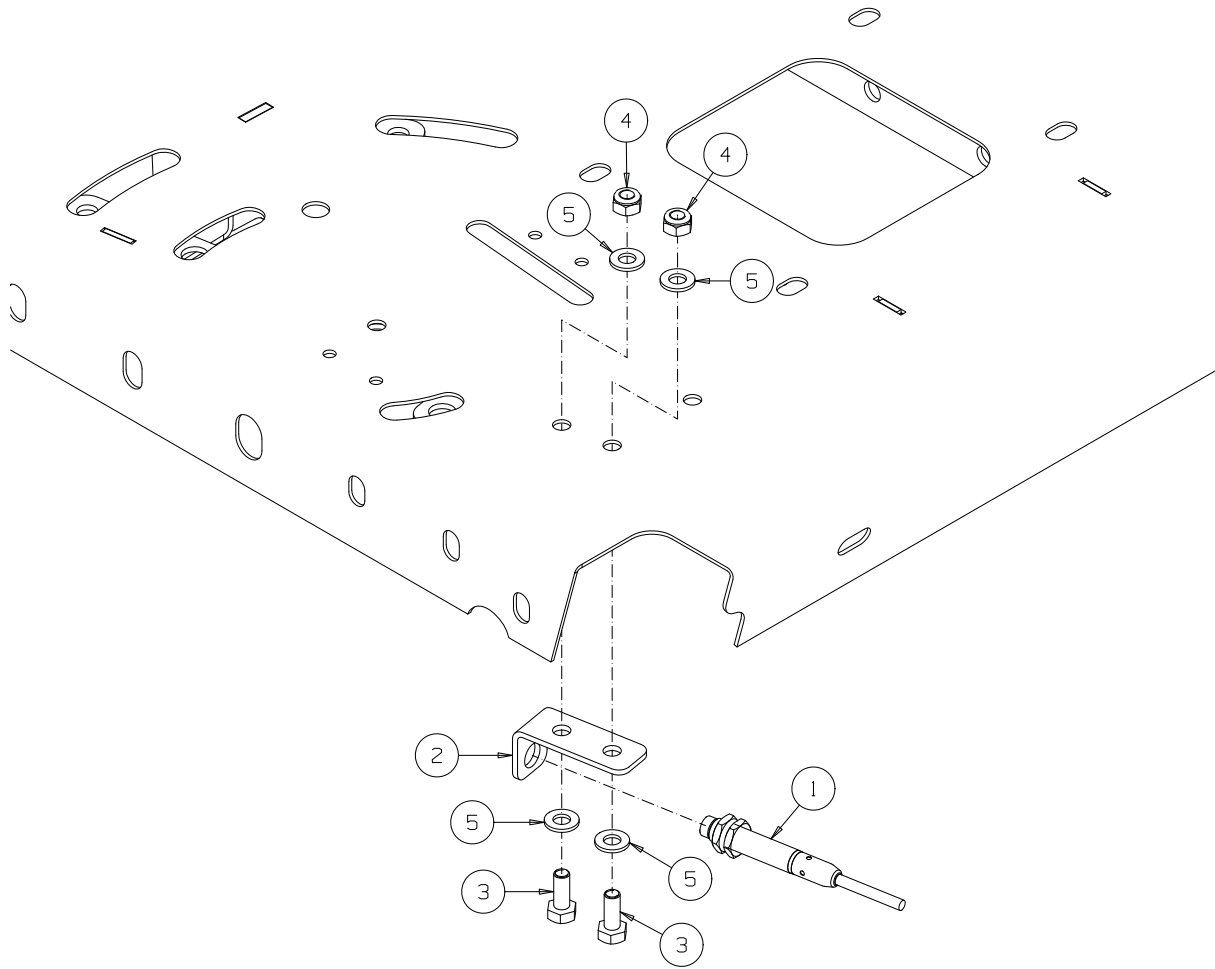
19.9 LMAC383 KIT-BEACON

ITEM	PART NO.	DESCRIPTION	QTY.	
1	4159220	Beacon Switch-Teal	1	
2	4212126	Beacon On Flexi-Mount	1	
3	4222280	Wldmt-Beacon Bracket	1	
4	4222460	Wldmt-Beacon Pole	1	
5	4223720	Knob-M10x20 Male	1	
6	450191	Screw-Hex M8 x 20	4	
7	450390	Wshr-M8 x 17 x 1.8	4	
8	450411	Wshr-Slw M8	4	
9	4224880	Decal-Beacon	1	
*	4212125	Beacon Wiring Harness	1	Not Illustrated
*	008238460	Beacon Socket	1	Not Illustrated
*	008238470	Rubber Socket Cover	1	Not Illustrated

* Not illustrated

19.10 LMAC478 KIT-MOW MODE SWITCH

Illustration Number: LMAC396



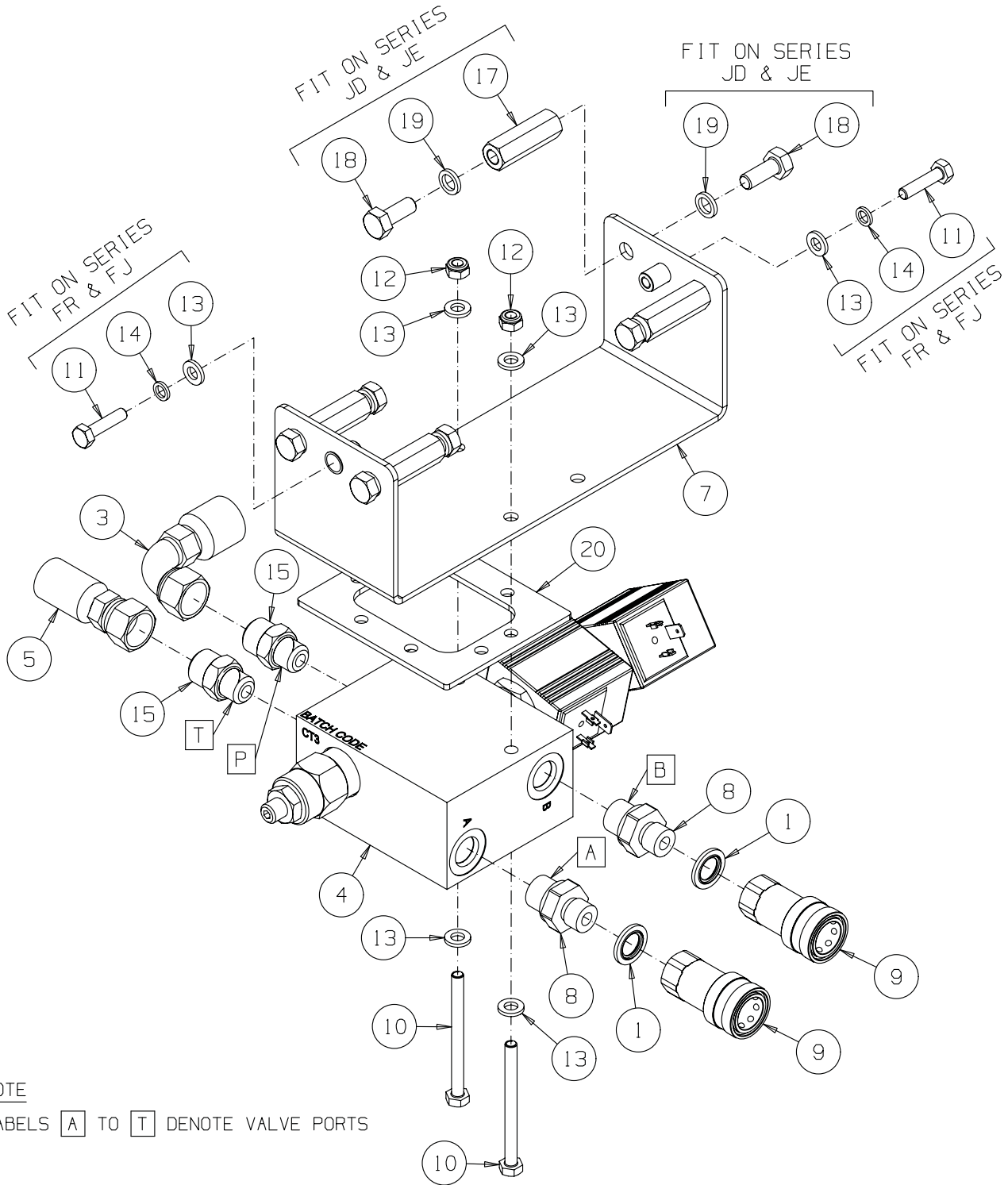
19.10 LMAC478 KIT-MOW MODE SWITCH

ITEM	PART NO.	DESCRIPTION	QTY.	
1	4197063	Inductive Sensor	1	
2	4223260	Bracket-Speed Selector Switch	1	
3	450191	Screw-Hex M8 x 20	2	
4	450378	Nut-Hex M8 Nyloc	2	
5	450390	Wshr-M8 x 17 x 1.8	4	
6*	001992113	Cable Tie-140 x 3.6	2	
7*	4262595	Mow Mode Link Adaptor	1	for HR300 only - kit LMAC478

* Not illustrated

19.11 LMAC307 KIT-AUXILIARY HYDRAULIC SERVICES

Illustration Number: LMAC307-1



NOTE
 LABELS [A] TO [T] DENOTE VALVE PORTS

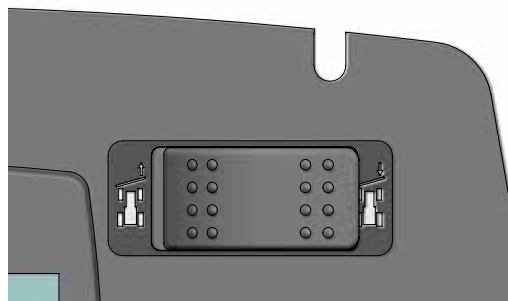
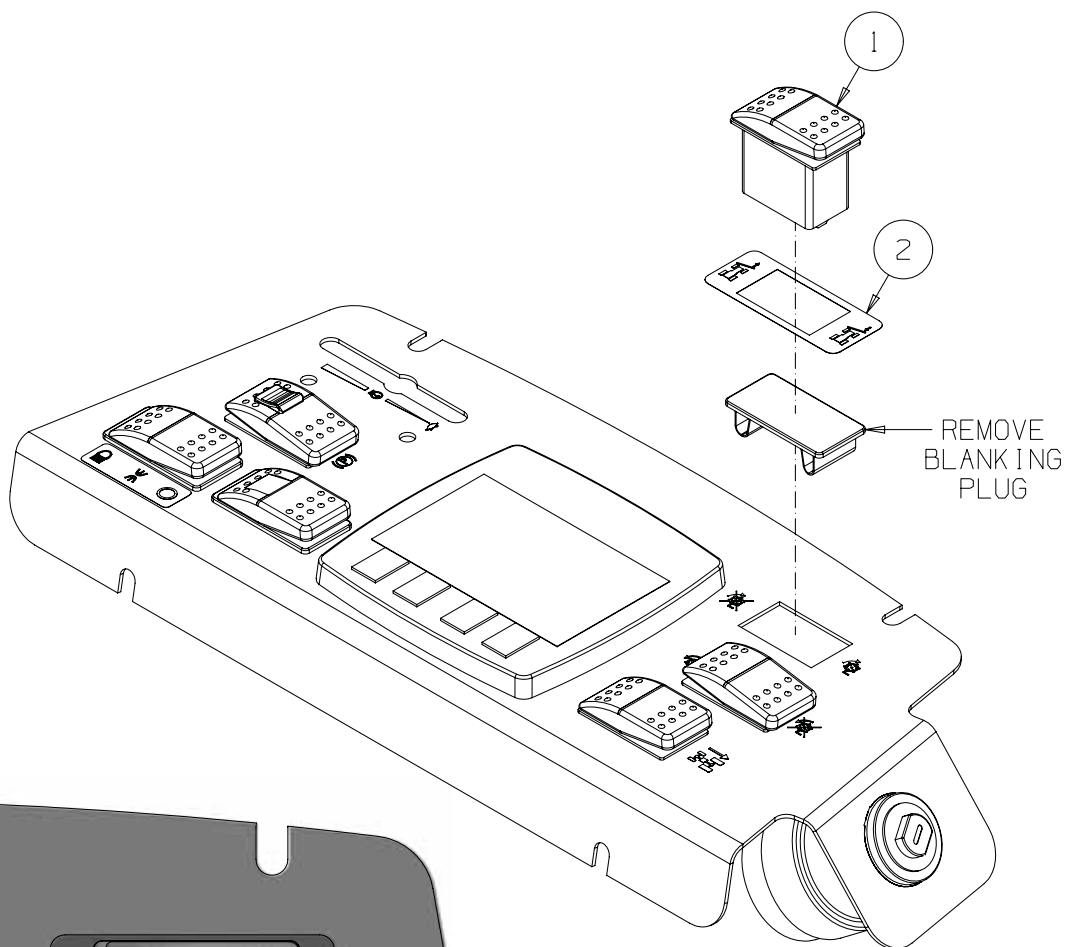
19.11 LMAC307 KIT-AUXILIARY HYDRAULIC SERVICES

ITEM	PART NO.	DESCRIPTION	QTY.	
1	002591040	1/4" BSP Dowty Seal	2	
2	4152478	Wldmt-Platform	1	
3	4166700	Hose Assembly	1	Not included in Kit LMAC307
4	4173283	Valve	1	
*	4171467	• Solenoid Valve	1	
*	4171468	•• Seal Kit (Solenoid Valve)	A/R	
*	4171469	• Coil	2	
*	4173700	• Check Valve	1	
*	4173701	•• Seal Kit (Check Valve)	A/R	
*	4173703	• Relief Valve	1	
*	4171464	•• Seal Kit (Relief Valve)	A/R	
5	4176920	Hose-Lift Valve 'SP' to Aux Valve 'P'	1	
6	4177121	Harness-Jumper, Aux Hyd Valve	1	Not Illustrated
7	4177184	Assembly-Aux Hyd Valve Bracket	1	
8	4177201	Ftg-M/M 1/4 BSPP X 9/16 SAE	2	
*	002218065	• O-Ring	1	9/16" SAE
9	4177202	QRC-1/4"BSPP Female	2	
10	450009	Bolt-Hex M6 X 70	2	
11	450172	Screw-Hex M6 X 25	2	
12	450377	Nut-Hex M6 Nyloc	2	
13	450389	Wshr-M6 X 12.5 X 1.8	6	
14	450410	Wshr-Slw M6	2	
15	W158006-01	Ftg-M/M 11/16 ORS X 9/16 SAE	2	
*	158061-01	• O-Ring	1	11/16" ORFS
*	002218065	• O-Ring	1	9/16" SAE
16	008233156	Fuse-5 Amp	1	Not Illustrated
17	4211920	Spacer-Hex M8 x 40	4	
18	450191	Screw-Hex M8 x 20	8	
19	450411	Lockwshr-M8 x 12.75 x 2	8	
20	4252554	Spacer Plate	1	

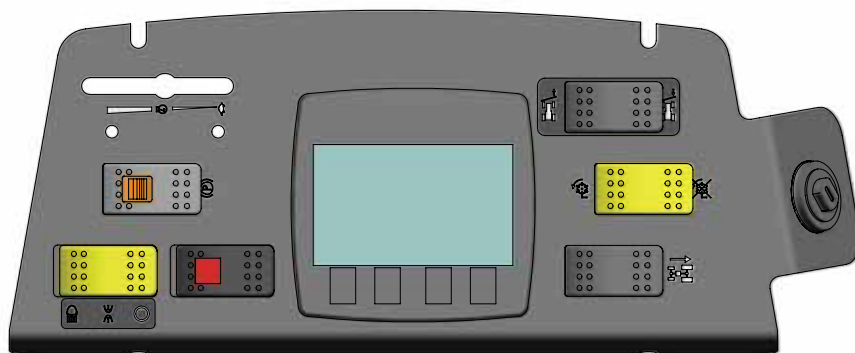
* Not illustrated

19.11 LMAC307 KIT-AUXILIARY HYDRAULIC SERVICES - FOR HR300 ONLY

Illustration Number: LMAC307-2



ENLARGED VIEW SHOWING ORIENTATION OF DECAL (4263052)



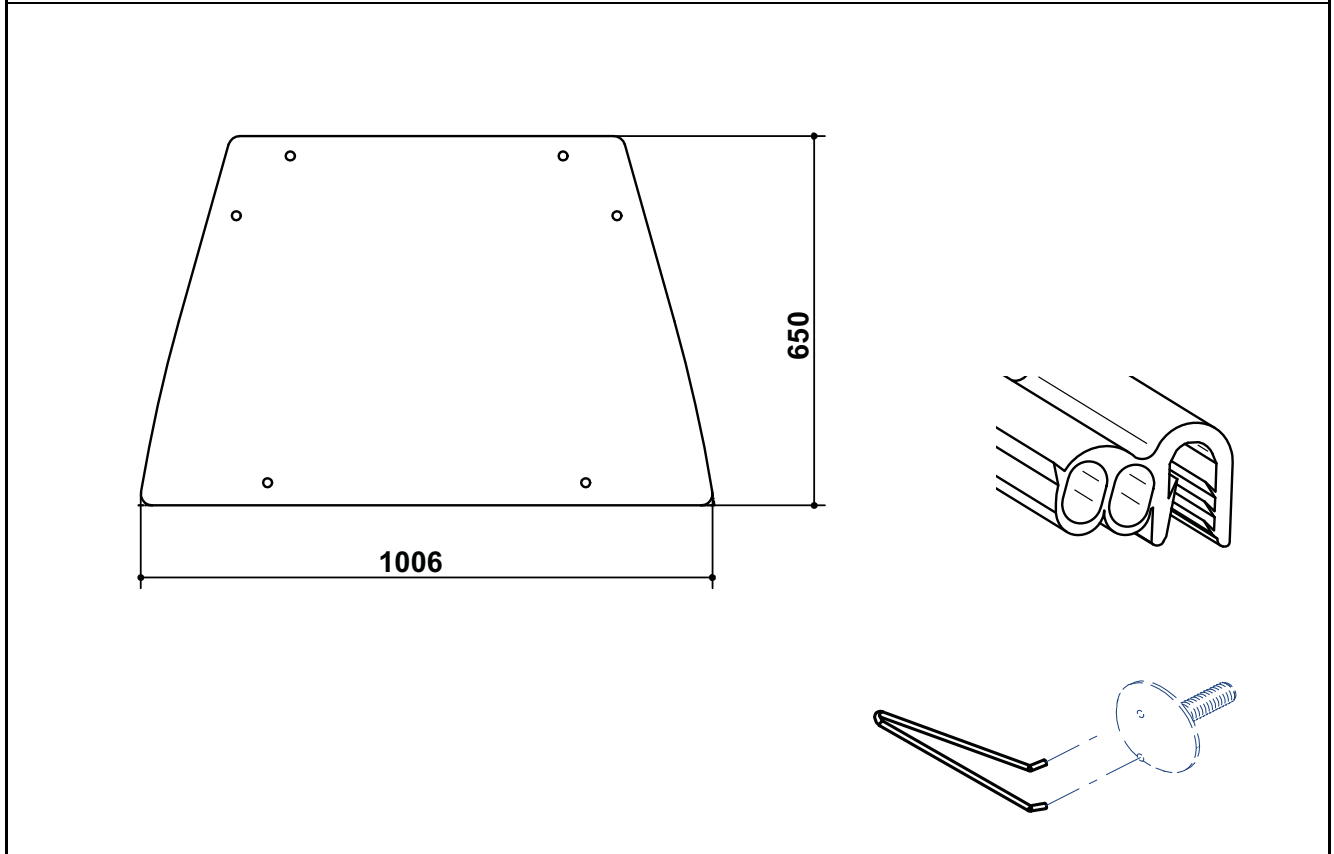
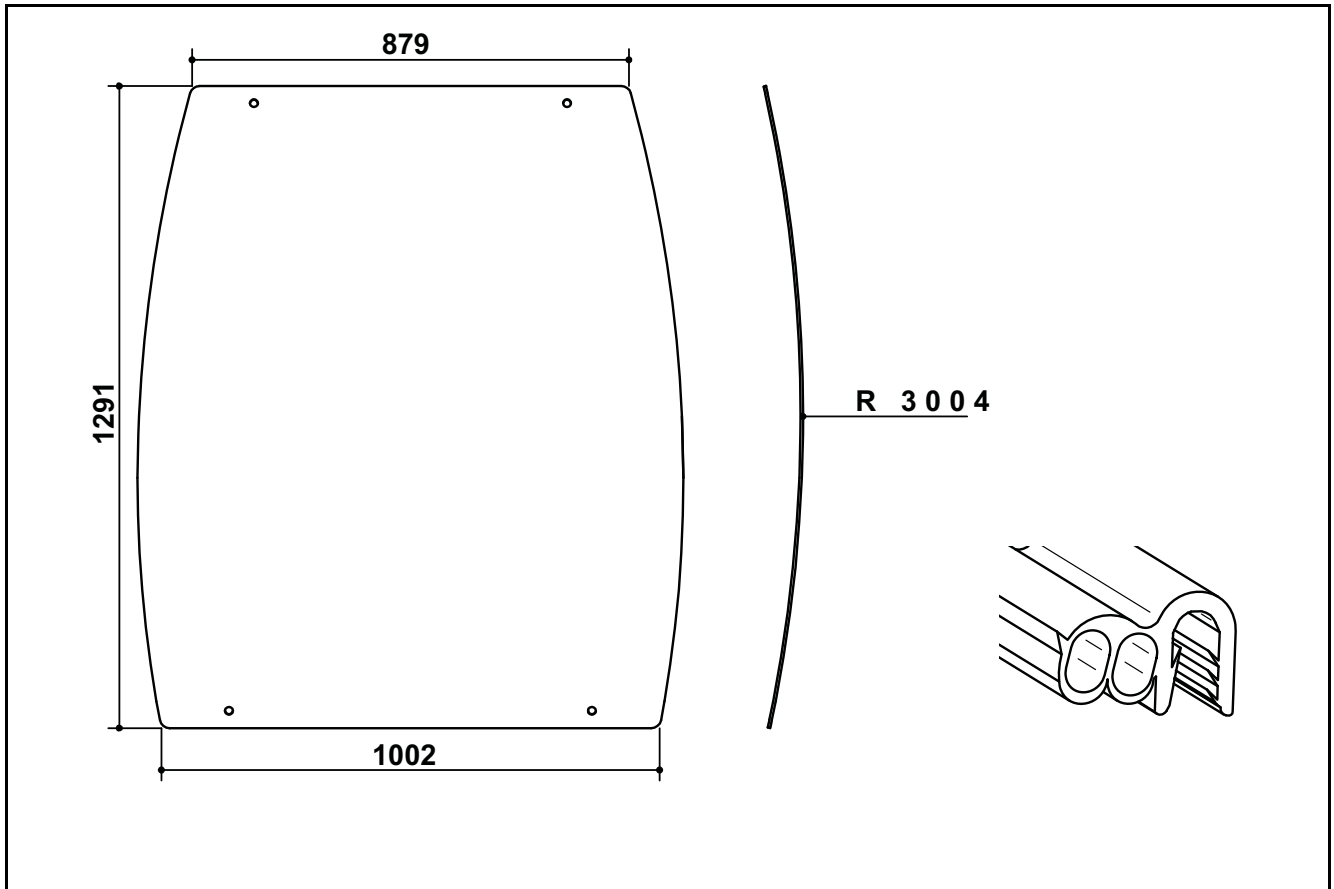
VIEW SHOWING CONTROL PANEL WITH AUX HYD SERVICES SWITCH 4262593 AND DECAL 4263052 FITTED

19.11 LMAC307 KIT-AUXILIARY HYDRAULIC SERVICES - FOR HR300 ONLY

ITEM	PART NO.	DESCRIPTION	QTY.	
1	4262593	Switch	1	
2	4263052	Decal-Slew Control	1	

* Not illustrated

19.12 4178441 CAB KIT

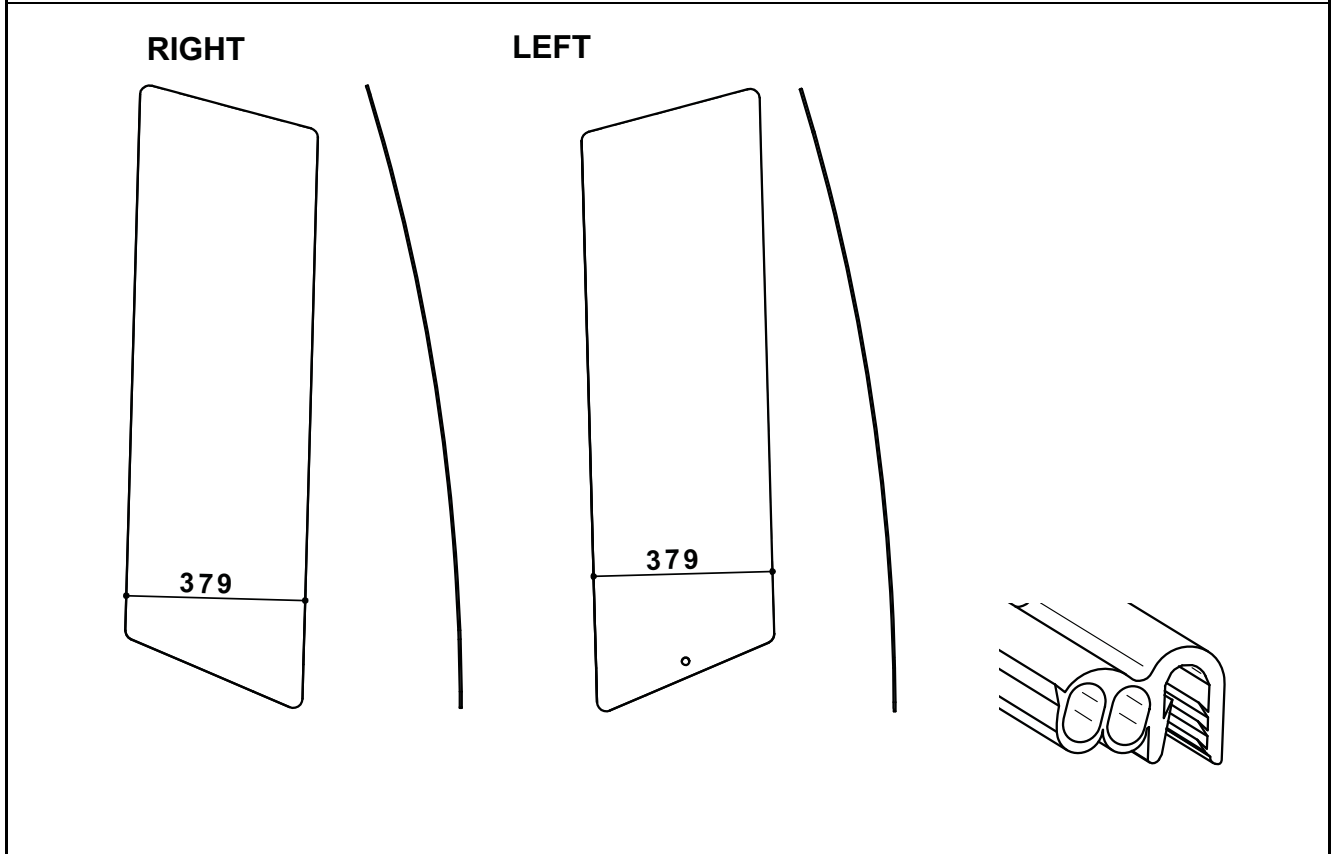
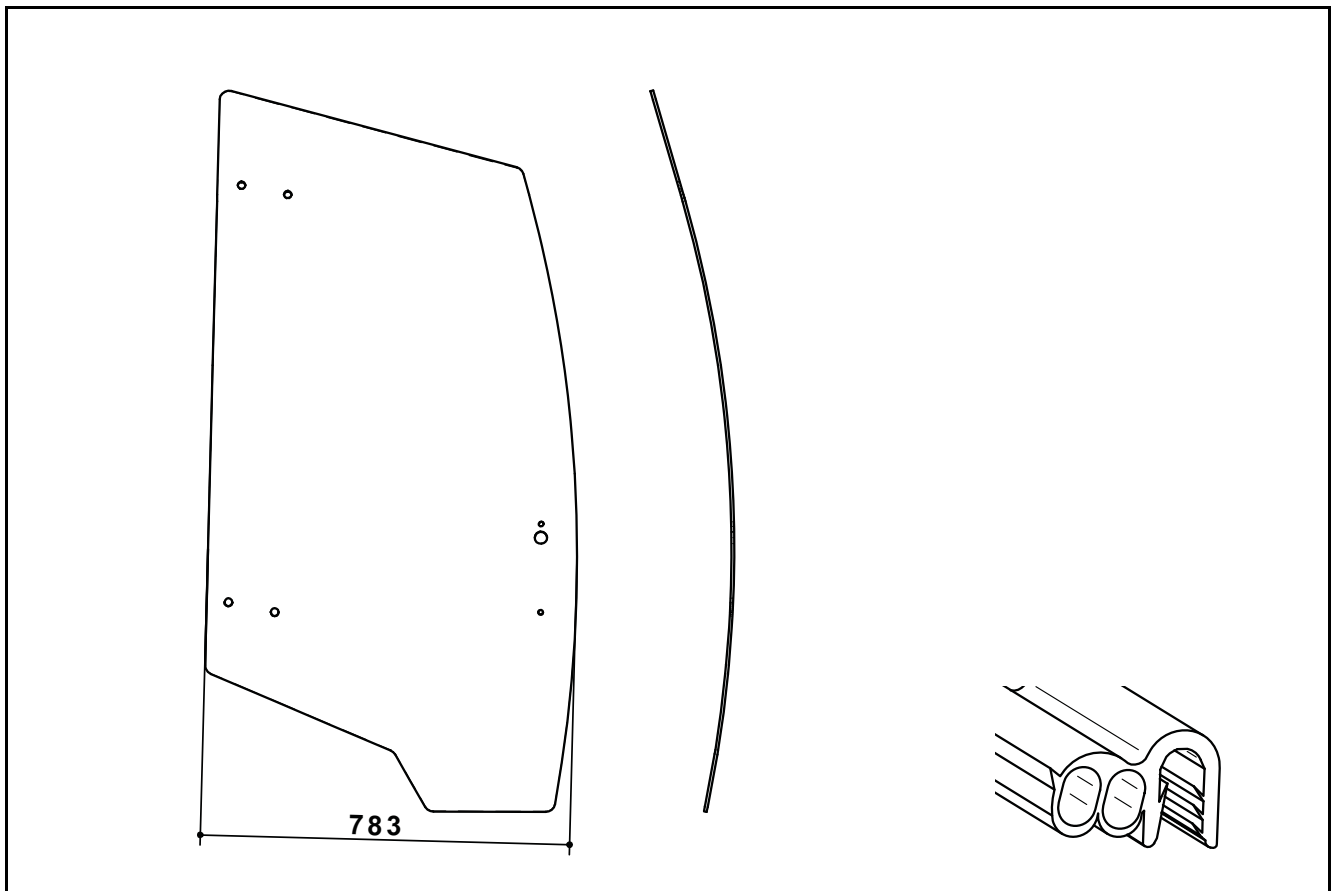


19.12 4178441 CAB KIT

ITEM	PART NO.	DESCRIPTION	QTY.	
		FRONT GLASS Glass - Green with Seal Glass - Green		P-855.29.254 4-885.29.254
		REAR GLASS Glass - H - Green with Seal Glass - H - Green Plug Key		P-855.30.252 4-885.30.252 P-000.10.100

* Not illustrated

19.12 4178441 CAB KIT

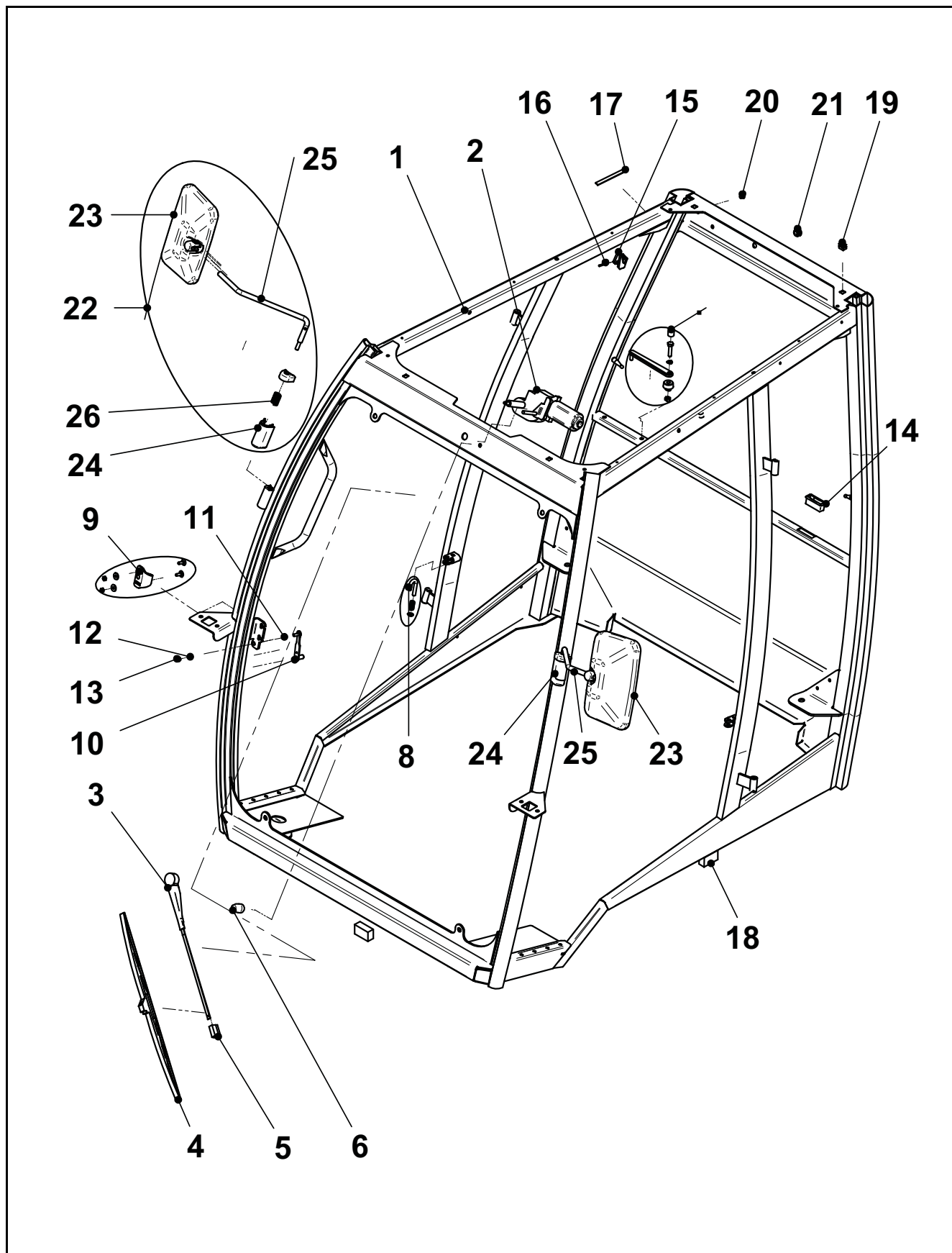


19.12 4178441 CAB KIT

ITEM	PART NO.	DESCRIPTION	QTY.	
1		DOOR GLASS Glass - T - Green with Seal Glass - T - Green with Seal Glass - T - Green Glass - T - Green		P-885.30.710 Right P-885.30.711 Left 4-885.30.710 4-885.30.711
		SIDE WINDOW GLASS Glass - SH - Green with Seal Glass - SH - Green with Seal Glass - SH - Green Glass - SH - Green		P-855.30.420 Right P-855.30.421 Left 4-885.30.420 4-885.30.421

* Not illustrated

19.12 4178441 CAB KIT

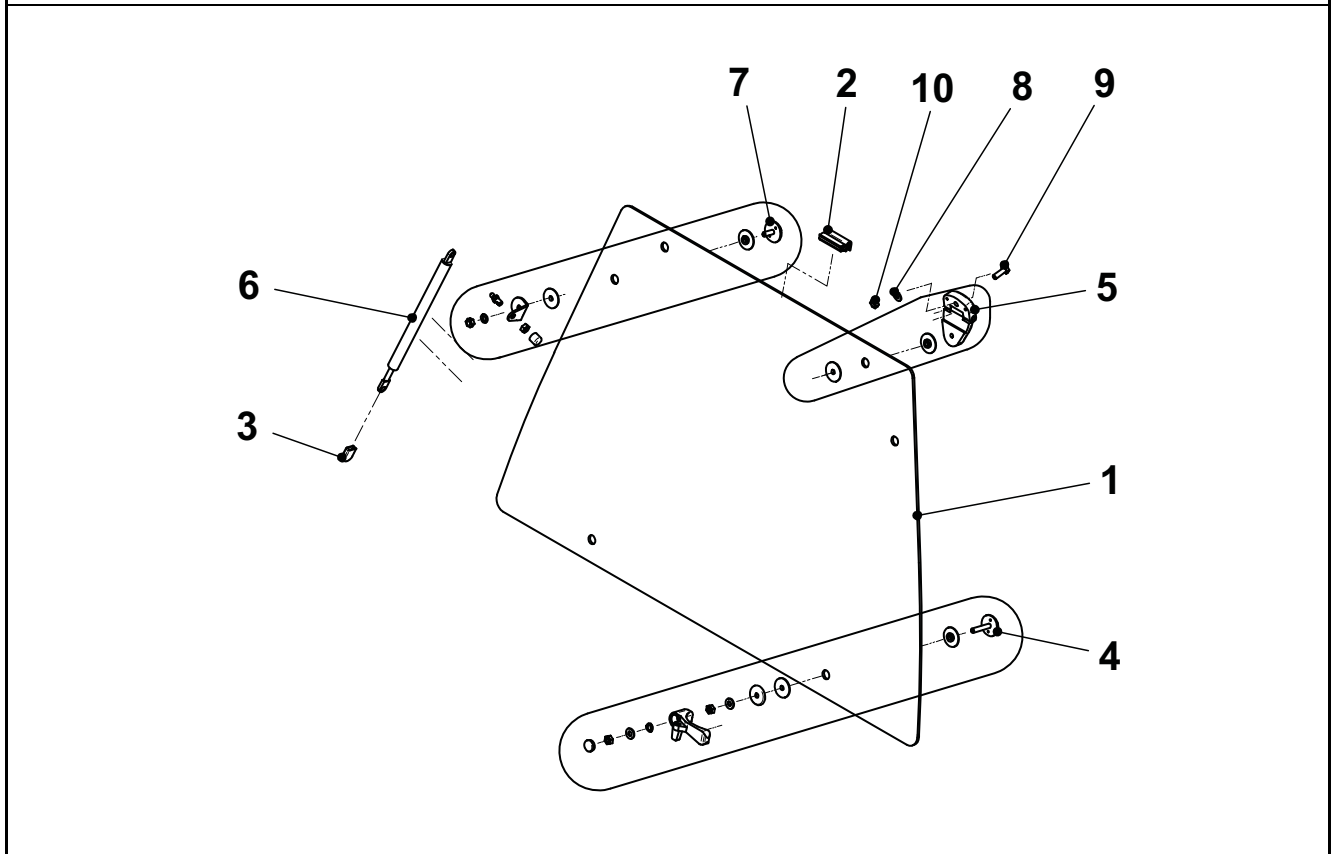
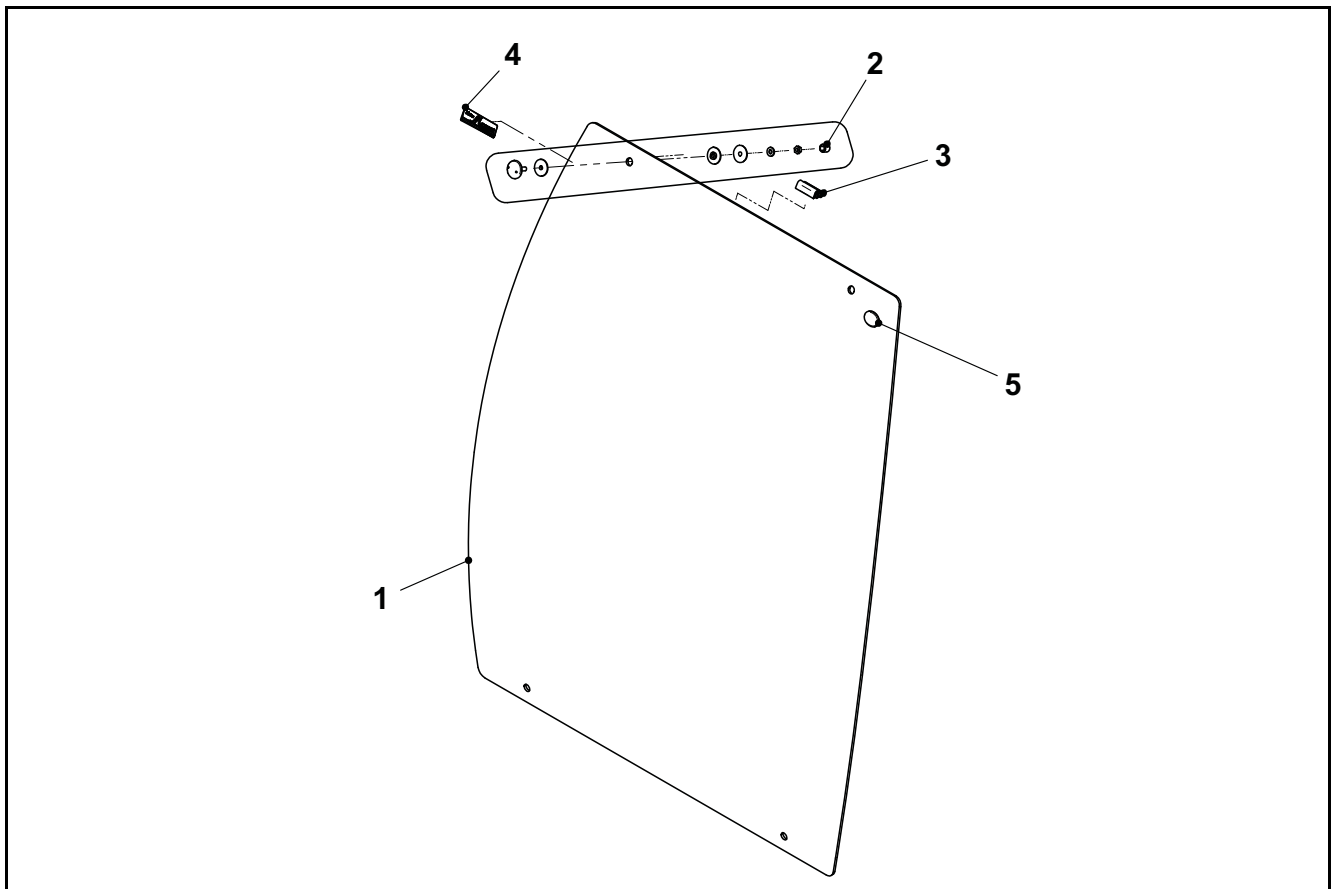


19.12 4178441 CAB KIT

ITEM	PART NO.	DESCRIPTION	QTY.	
1		FRAME		
1		Frame	1	2-885.30.100
2		Wiper Motor	1	6-250.12.860
3		Wiper Arm	1	6-250.12.860
4		Wiper Blade	1	6-254.01.550
5		Adapter	1	6-254.01.551
6		Covering	1	7-980.00.015
7		Holder	1	P-002.00.110
8		Mounting (Gas Spring)	2	P-002.00.150
9		Locking Bolt	2	P-002.00.200
10		Holder	2	2-112.10.250
11		Spring Washer	4	7-210.06.011
12		6.4x14 DIN 134 Plain Washer	2	7-200.06.014
13		M6 DIN 985 Locknut	2	7-220.10.060
14		Inserting Piece	3	7-980.00.235
15		Hook	1	7-980.14.482
16		4x10 DIN EN ISO 15977 Rivet	1	7-310.04.101
17		Foam Strip	3.75m	6-310.60.018
19		M8 Nut	4	7-315.47.080
20		Ø6 Plug	6	7-980.14.506
21		Ø12 Plug	5	7-980.14.512
22		Mirror Support	1	P-002.00.034/035
23		Mirror	1	6-200.26.166
24		Cover	1	7-980.00.511
25		Mirror Support	1	7-832.01.100/101
26		Pressure Spring	1	6-000.10.647
27		Decal	1	2-885.30.907

* Not illustrated

19.12 4178441 CAB KIT

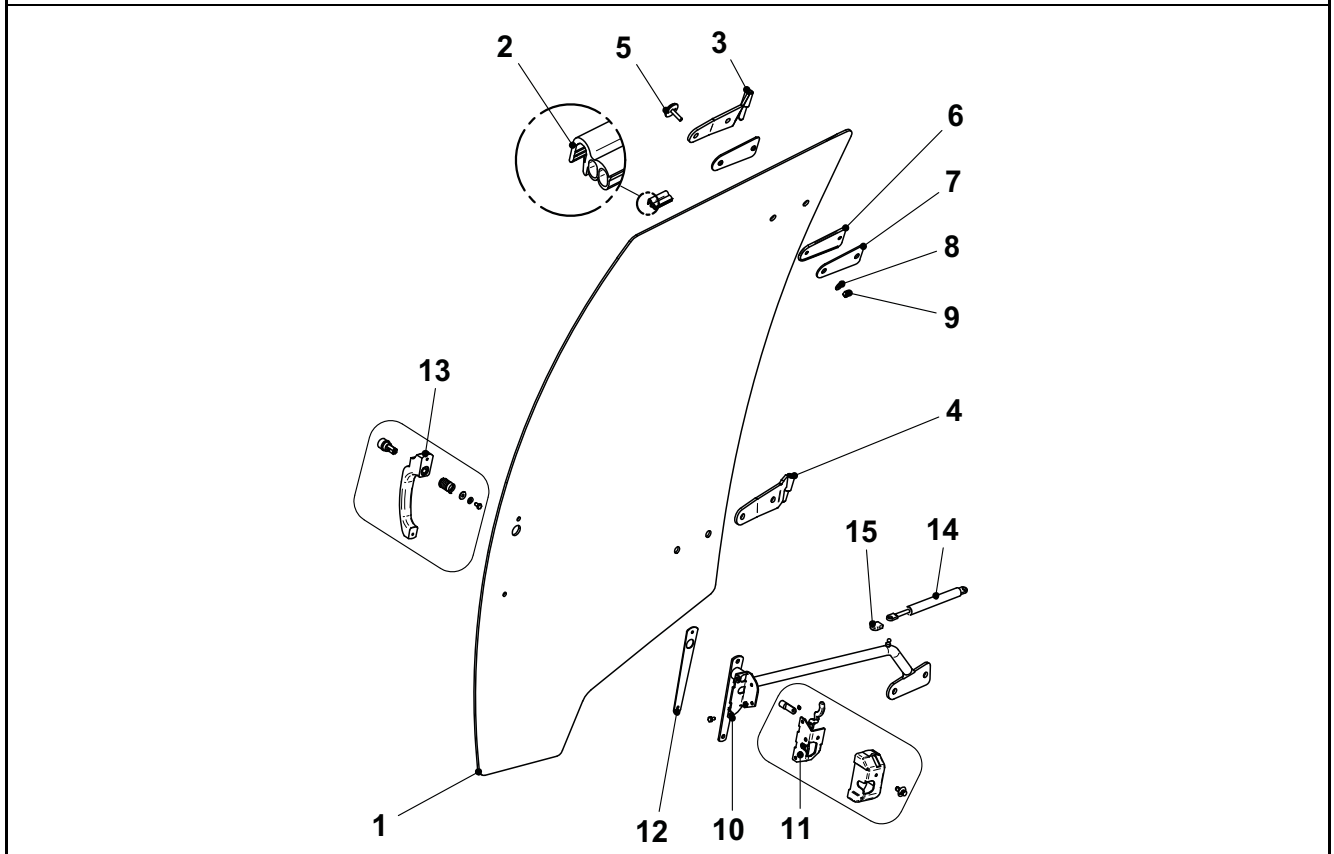
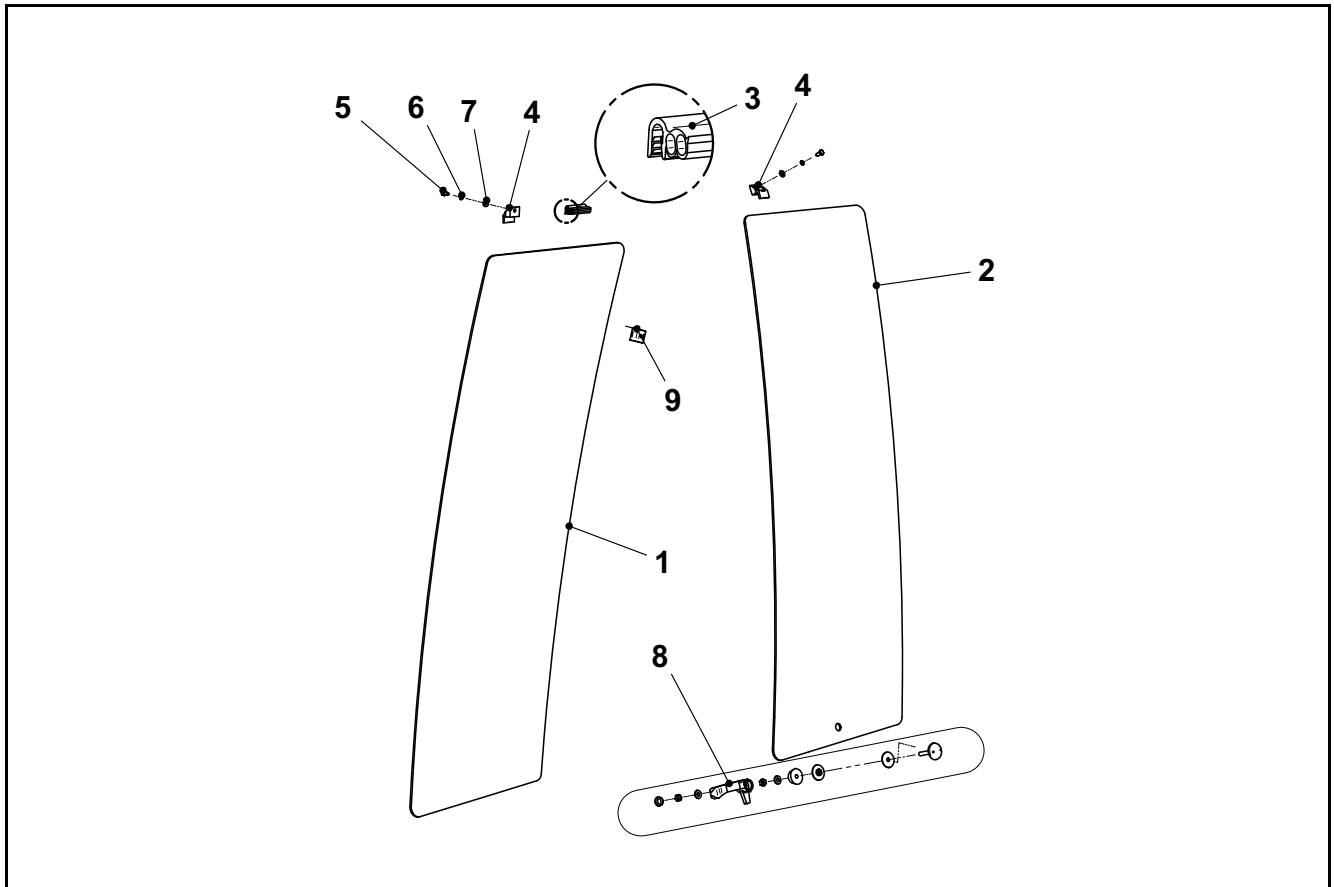


19.12 4178441 CAB KIT

ITEM	PART NO.	DESCRIPTION	QTY.	
1		FRONT GLASS FIXING		
1		Glass	1	4-885.29.254
2		Bezel	4	P-002.73.148
3		Rubber	4.60m	6-310.10.001
4		Decal	1	6-410.10.065
5		Decal	1	6-410.10.067
		REAR GLASS FIXING		
1		Glass	1	4-885.30.252
2		Rubber	2.52m	6-310.10.001
3		Bracket	4	7-980.00.800
4		Buckle	2	P-002.00.290
5		Hinge	2	P-002.20.120
6		Pneumatic Spring	2	6-100.10.500
7		Support	2	P-002.01.149
8		8.4x18 DIN 134 Plain Washer	2	7-200.08.018
9		M8x25 DIN 933 Hex.Hd Screw	2	7-112.08.025
10		M8 DIN 985 Locknut	2	7-220.10.080

* Not illustrated

19.12 4178441 CAB KIT



19.12 4178441 CAB KIT

ITEM	PART NO.	DESCRIPTION	QTY.	
1		SIDE WINDOW GLASS FIXING		
1		Glass	1	4-885.30.420
2		Glass	1	4-885.30.421
3		Rubber	3.15m	6-310.10.001
4		Bezel	6	7-980.14.541
5		6.3x16 DIN 7976 Self Tap Screw	6	7-138.63.016
6		Washer	6	7-209.06.011
7		6.4x14 DIN 134 Plain Washer	6	7-200.06.014
8		Buckle	1	P-002.00.291
9		Bezel	2	7-980.14.540
		DOOR GLASS FIXING		
1		Glass	1	4-885.30.710/711
2		Rubber	3.80m	6-310.10.001
3		Doorbeam	1	2-885.30.220/221
4		Doorbeam	1	2-885.30.222/223
5		M8x32 Screw	4	7-980.50.105
6		Rubber	4	7-980.00.614
7		Plate	1	7-825.00.613
8		8.4x18 DIN 985 Plain Washer	4	7-200.08.018
9		M8 DIN 985 Locknut	4	7-220.10.080
10		Door handle	1	2-885.30.620/621
11		Door lock	1	P-002.83.644/643
12		Rubber	1	7-980.00.600
13		Handle	1	P-000.00.660
14		Pneumatic spring	1	6-100.20.320
15		Bracket	1	7-980.00.800

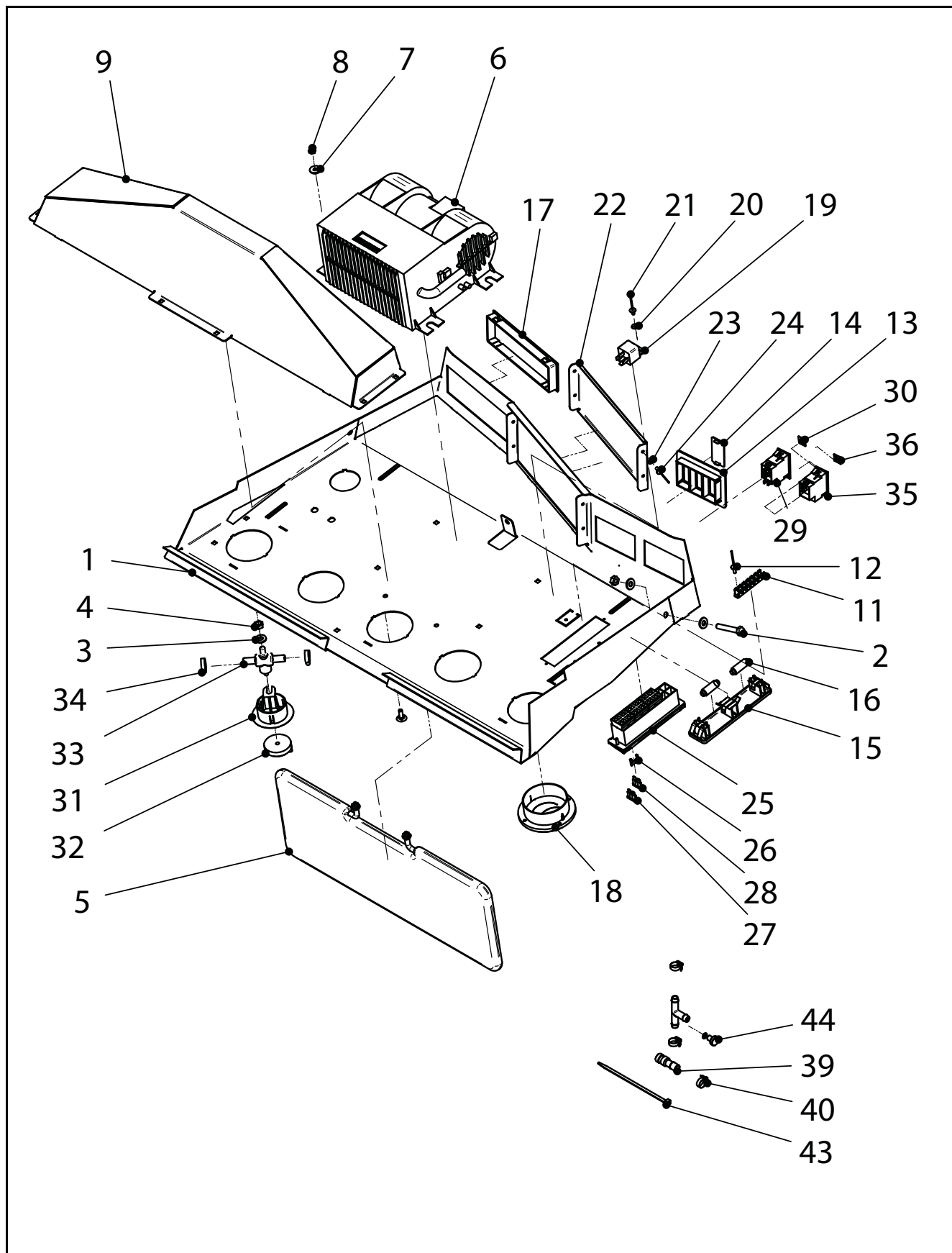
* Not illustrated

19.12 4178441 CAB KIT

ITEM	PART NO.	DESCRIPTION	QTY.	
1		ROOF		
1		Plastic roof	1	P-885.29.340
2		6x22 Sealing Washer	4	7-980.14.550
3		M8x100 Hex Screw	2	7-110.08.100
4		M8x75 Hex Screw	2	7-110.08.075
5		8.4x25 Washer	4	7-200.08.025
6		Decal	2	6-410.10.042
7		Headlight screen	3	1-000.12.857
		ROOF INSERT		
1		Cover	1	2-885.29.752
2		Filter	1	2-000.00.820
3		Orifice, padded	1	P-885.29.766
4		Orifice, padded	1	P-885.29.767
5		Orifice, padded	1	P-885.30.760
6		Cover	2	7-980.00.010
7		3.5x19 DIN 7981 Pan Head Screw	8	7-127.35.019
8		Seal	3.96m	6-310.10.002
10		M6x16 DIN 933 Hex Hd. Screw	6	7-112.06.016
11		M6 DIN 985 Locknut	6	7-220.10.060
12		6.4x14 DIN 134 Plain Washer	12	7-200.06.014
13		Ø13 Grommet	1	6-357.30.013
14		4x12 DIN 7337 Pop Rivet	6	7-310.04.120
15		4.3x12 DIN 9021 Plain Washer	6	7-200.04.012

* Not illustrated

19.12 4178441 CAB KIT

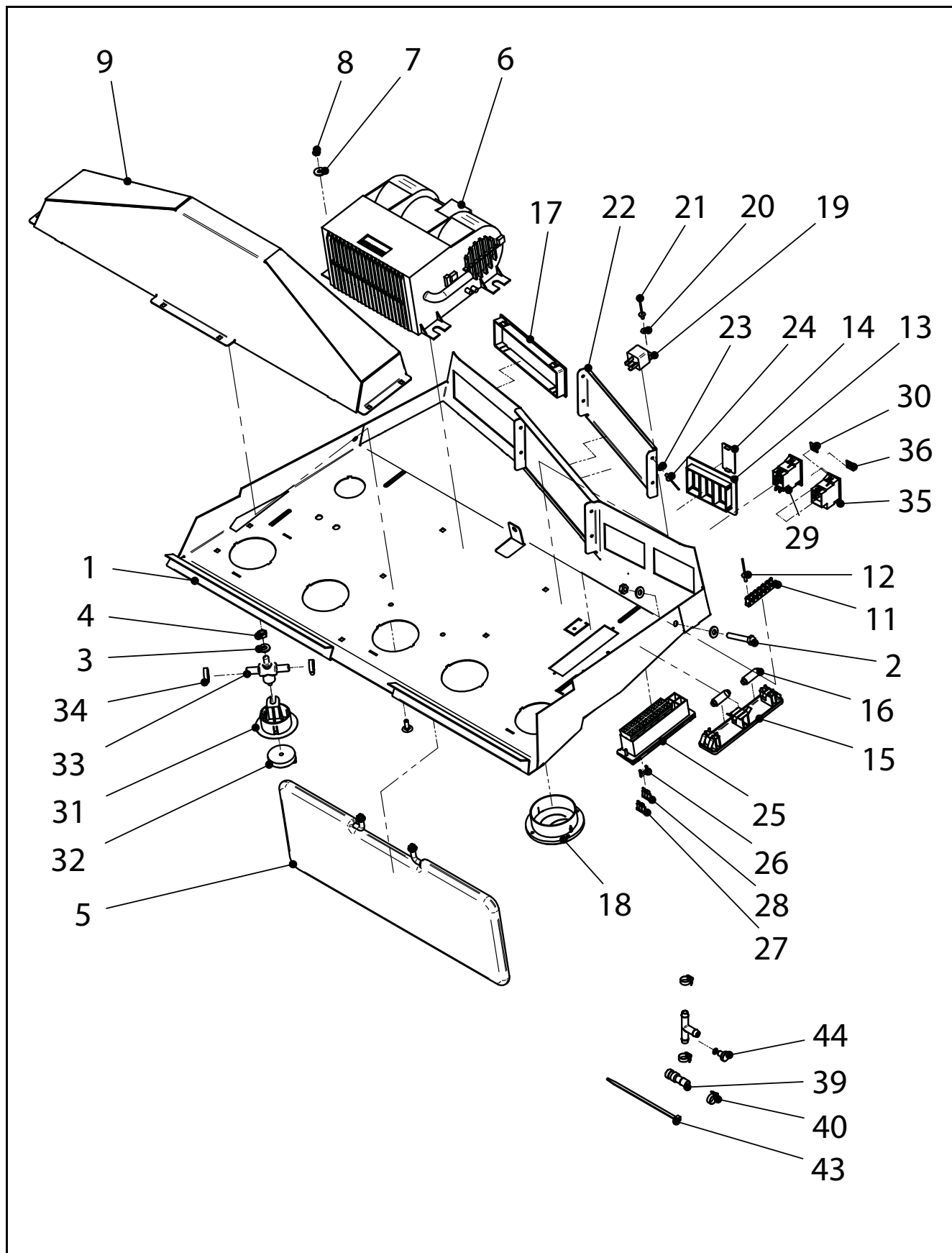


19.12 4178441 CAB KIT

ITEM	PART NO.	DESCRIPTION	QTY.	
1		HEATER		
1		Roof interior, padded	1	P-885.29.755
2		M8x50 DIN 933 Hex.Hd Screw	2	7-112.08.050
3		8.4x18 DIN 134 Plain Washer	5	7-200.08.018
4		M8 DIN 985 Locknut	3	7-220.10.080
5		Sun visor	1	P-002.00.530
6		Heater	1	6-350.12.043
7		6.4x18 DIN 433 Plain Washer	4	7-200.06.018
8		M6 DIN 985 Locknut	9	7-220.10.060
9		Air duct	1	2-885.29.770
10		6.4x14 DIN 134 Plain Washer	5	7-200.06.014
11		Ground bar	1	7-825.40.010
12		4x10 Pop Rivet	2	7-310.04.100
13		Frame	2	7-980.10.210
14		Orifice	5	7-980.10.212
15		Lamp	1	6-210.30.200
16		Lamp	2	6-210.97.105
17		Orifice	1	7-980.10.100
18		Nozzle	5	7-980.02.070
19		Relay	1	6-260.50.200
20		4.3x12 DIN 9021 Plain Washer	1	7-200.04.012
21		4x8 Pop Rivet	1	7-310.04.080
22		Grill	1	2-971.16.887
23		4.3x10 DIN 433 Plain Washer	4	7-200.04.010
24		4x12 DIN 7337 Pop Rivet	4	7-310.04.120
25		Fuse box	1	P-002.03.240
26		Fuse bridge	4	6-260.20.062
27		5 Amp fuse	1	6-260.25.105
28		7.5 Amp fuse	1	6-260.25.107
29		Switch	1	6-260.10.240
30		Decal	1	6-410.00.200
31		Bracket	1	7-980.00.050
32		Handle	1	7-980.00.060
33		Valve	1	6-358.03.025
34		Clip	4	6-357.10.019
35		Switch	1	6-260.10.220
36		Decal	1	6-410.00.220
37		Hose	0.35m	6.355.10.014
38		Hose	0.30m	6.355.10.014
39		Connector	1	6-358.20.016

* Not illustrated

19.12 4178441 CAB KIT

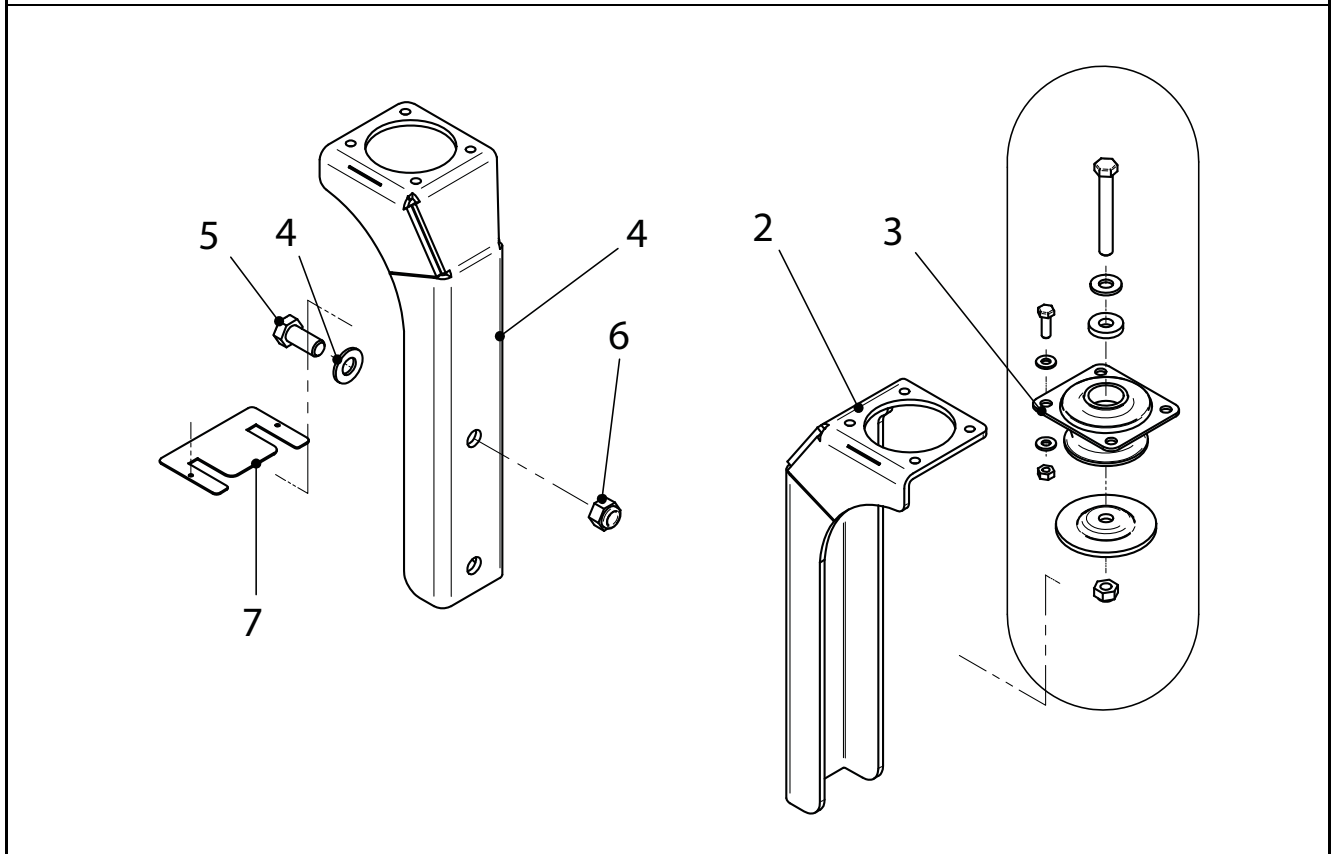
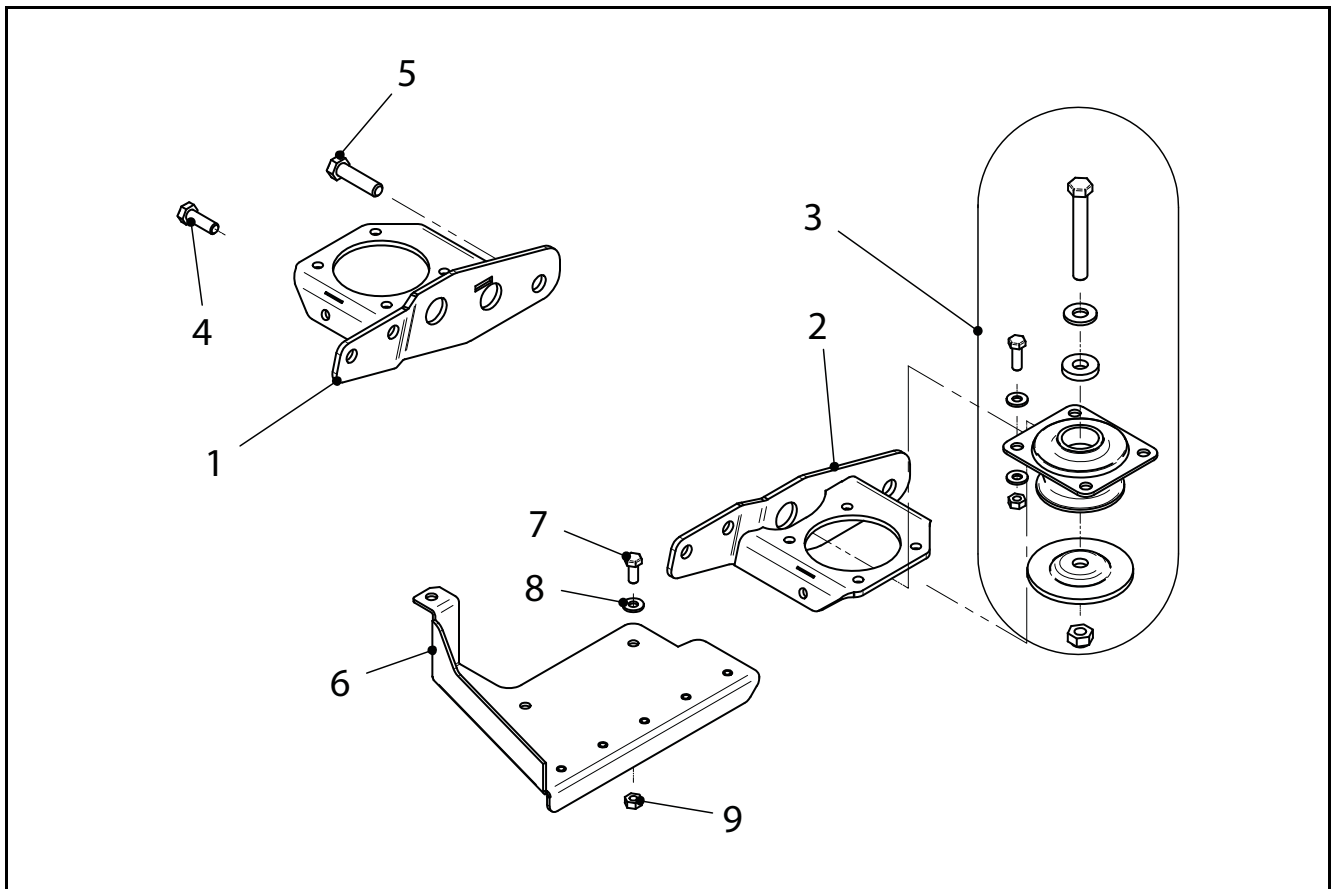


19.12 4178441 CAB KIT

ITEM	PART NO.	DESCRIPTION	QTY.	
1		HEATER		
40		Clip	4	6-357.10.013
41		Hose	3.30m	6-355.10.013
42		Hose	4.40m	6-355.10.013
43		Tie wrap	15	6-357.20.751
44		Connector	1	P-002.25.155
45		Cable	1	2-885.30.704
46		Cable	1	2-501.32.700
47		Cable	1	2-501.32.703
48		Cable	1	2-501.32.707

* Not illustrated

19.12 4178441 CAB KIT

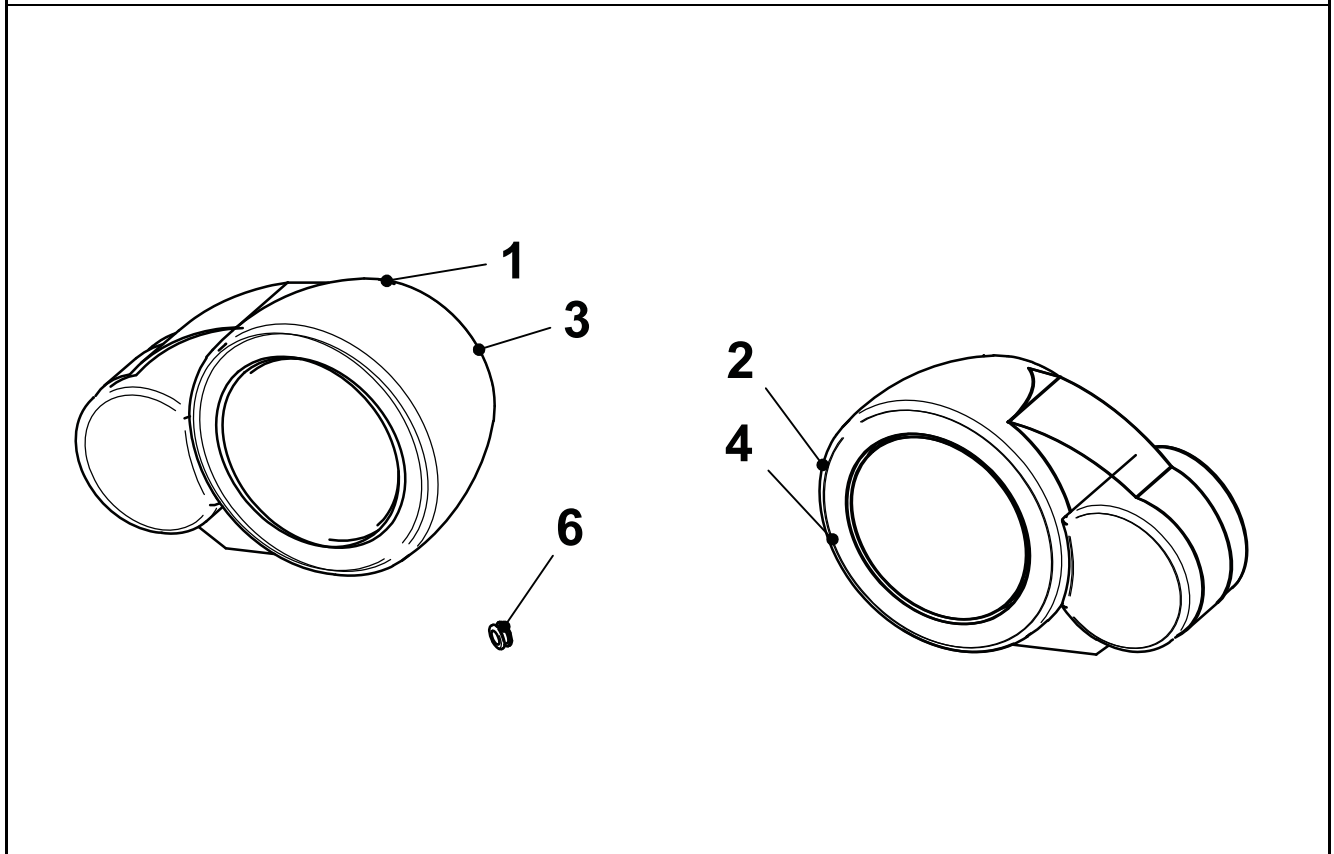
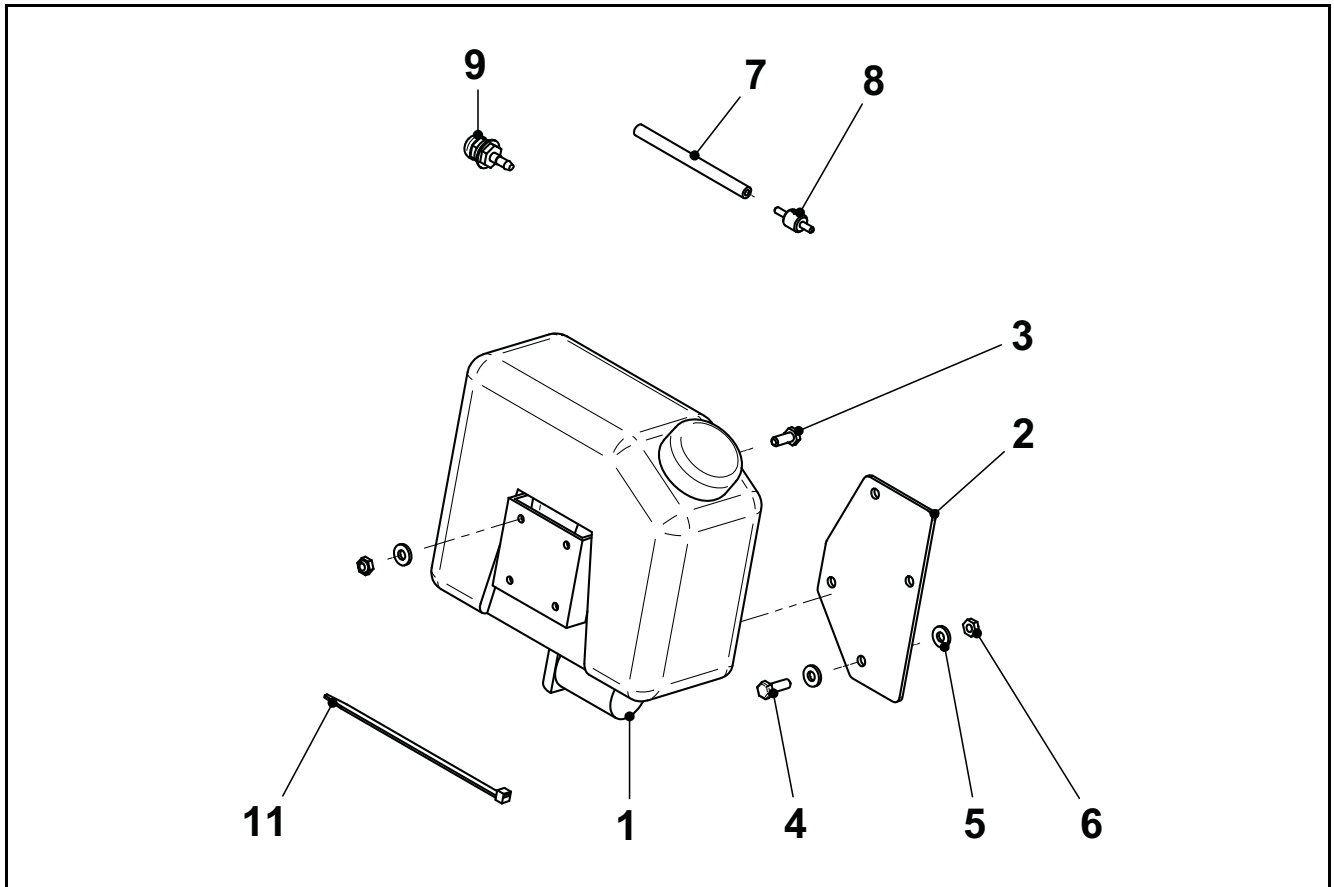


19.12 4178441 CAB KIT

ITEM	PART NO.	DESCRIPTION	QTY.	
1		FRONT SUPPORTS		
1		Front right support	1	2-885.30.280
2		Front left support	1	2-885.30.281
3		Rubber damper	2	P-002.33.850
4		M10x30 DIN 933 Hex.Hd Screw	4	7-112.10.030
5		M12x45 DIN933 Hex.Hd Screw	2	7-112.12.040
6		Step	1	2-885.30.667
7		M8x20 DIN 933 Hex.Hd Screw	2	7-112.08.020
8		8.4x18 DIN 134 Plain Washer	4	7-200.08.018
9		M8 DIN 985 Locknut	2	7-220.10.080
		REAR SUPPORTS		
1		Rear right support	1	2-885.30.155
2		Rear left support	1	2-885.30.156
3		Rubber damper	2	P-002.33.850
4		17x34 Plain Washer	8	7-200.17.034
5		M16x35 DIN 933 Hex.Hd Screw	4	7-112.16.035
6		M16 DIN 985 Locknut	4	7-220.10.160
7		Cover	2	2-885.30.159

* Not illustrated

19.12 4178441 CAB KIT



19.12 4178441 CAB KIT

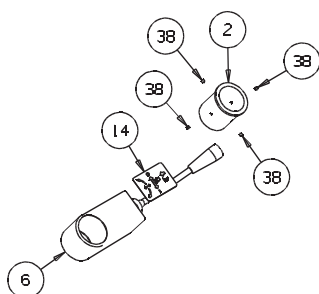
ITEM	PART NO.	DESCRIPTION	QTY.	
1		WINDSCREEN WASHER		
1		Reservoir & pump	1	6-257.20.400
2		Console	1	2-885.30.870
3		M6x16 DIN 933 Hex.Hd Screw	2	7-112.06.016
4		M6x20 DIN 933 Hex.Hd Screw	2	7-112.06.020
5		6.4x14 DIN 134 Plain Washer	8	7-200.06.014
6		M6 DIN 985 Locknut	4	7-220.10.060
7		Hose	3.50m	6-355.40.006
8		Non-return valve	1	6-257.40.100
9		Nozzle	1	6-257.30.400
10		Cable	1	2-971.90.702
11		Tie wrap	5	6-357.20.751
		FRONT LIGHTS		
1		Right Headlight - RH Traffic	1	6-210.20.513
2		Left Headlight - RH Traffic	1	6-210.20.514
3		Right Headlight - LH Traffic	1	6-210.20.516
4		Left Headlight - LH Traffic	1	6-210.20.515
5		Cable	2	2-885.30.705
6		Ø13 Grommet	2	6-357.30.013

* Not illustrated

19.12 4178441 CAB KIT

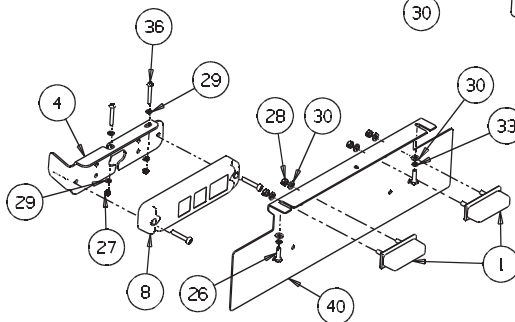
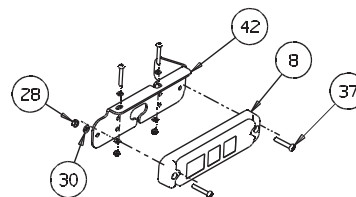
NOTE

ITEM 2 & 38 ARE FITTED AS STANDARD.
 REMOVE THE STEERING TOWER COVER AND
 REPOSITION ITEM 2 WHEN ASSEMBLING
 THE LIGHT STEM (ITEM 6)

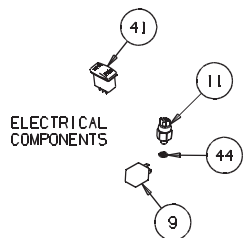


STEERING STEM ASSEMBLY

* REPLACE HORN BUTTON ON STEERING TOWER WITH THIS
 DOME PLUG WHEN THE LIGHTING KIT IS FITTED



REAR LIGHT
 ASSEMBLY



ELECTRICAL
 COMPONENTS

19.12 4178441 CAB KIT

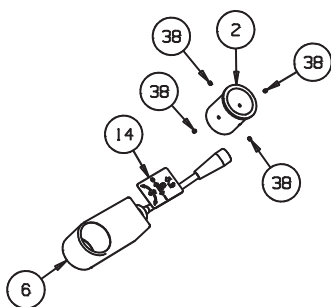
ITEM	PART NO.	DESCRIPTION	QTY.	
1		REAR LIGHTS & MISC PARTS FOR HORIZONTAL REAR LIGHT CONFIGURATION		
1	008231811	Light-Number Plate	2	
2	4138723	St/Wheel Column Collar	1	
*	4156760	Bracket-Rear Light	2	Fitted up to FR00321/FY000311
4	4172463	Bracket-Rear Light LH	1	Fitted from FR000322/FY000312
42	4171200	Bracket-Rear Light RH	1	Fitted from FR000322/FY000312
5	4159221	Hazard Switch	1	Fitted up to FR00321/FY000311
6	4161622	Light Stem	1	
8	4161624	Rear Light Cluster	2	
9	4161625	Relay-Flasher	1	
11	4198561	Pressure Switch (Brake Lights)	1	
14	4164661	Decal-Lighting Stalk	1	
26	450171	Screw-Hex M6 x 20	2	
27	450376	Nut-Hex M5 Nyloc	4	
28	450377	Nut-Hex M6 Nyloc	8	
29	450388	Wshr-M5 x 10 x 1.1	8	
30	450389	Wshr-M6 x 12.5 x 1.8	10	
33	450410	Wshr-SLW M6	2	
36	450532	Screw-Pan Hd x 35	4	
37	450545	Screw-Pan Hd M6 x 35	4	
38	450940	Screw-Set M4 x 4, Cup Pnt	4	
40	MBG4821	Plate-Reg No	1	
*	4161785	Number Plate Wiring Loom	1	
41	4138892	Hazard Switch	1	Fitted from FR000322/FY000312
44	870000065	1/8 BSP Dowty Washer	1	
45	4179501	Dome Plug	1	

* Not illustrated

19.12 4178441 CAB KIT

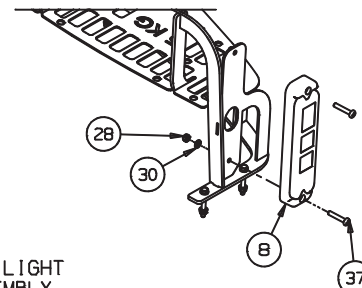
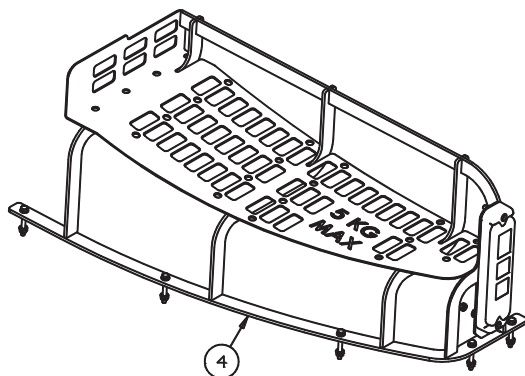
NOTE

ITEM 2 & 38 ARE FITTED AS STANDARD.
 REMOVE THE STEERING TOWER COVER AND
 REPOSITION ITEM 2 WHEN ASSEMBLING
 THE LIGHT STEM (ITEM 6)

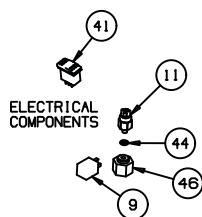


STEERING STEM ASSEMBLY

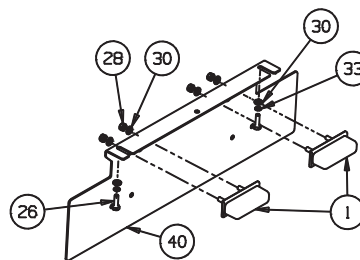
* REPLACE HORN BUTTON ON STEERING TOWER WITH THIS
 DOME PLUG WHEN THE LIGHTING KIT IS FITTED



REAR LIGHT ASSEMBLY



ELECTRICAL COMPONENTS

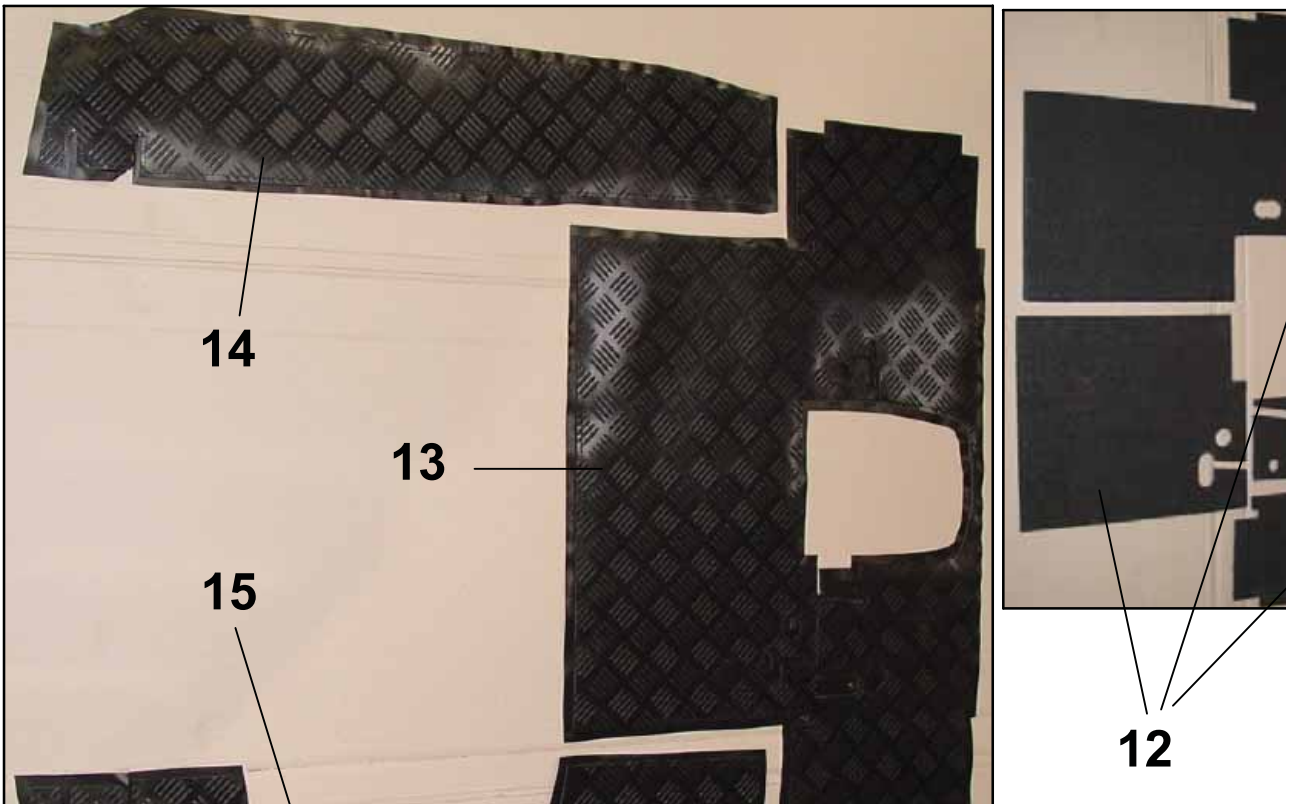
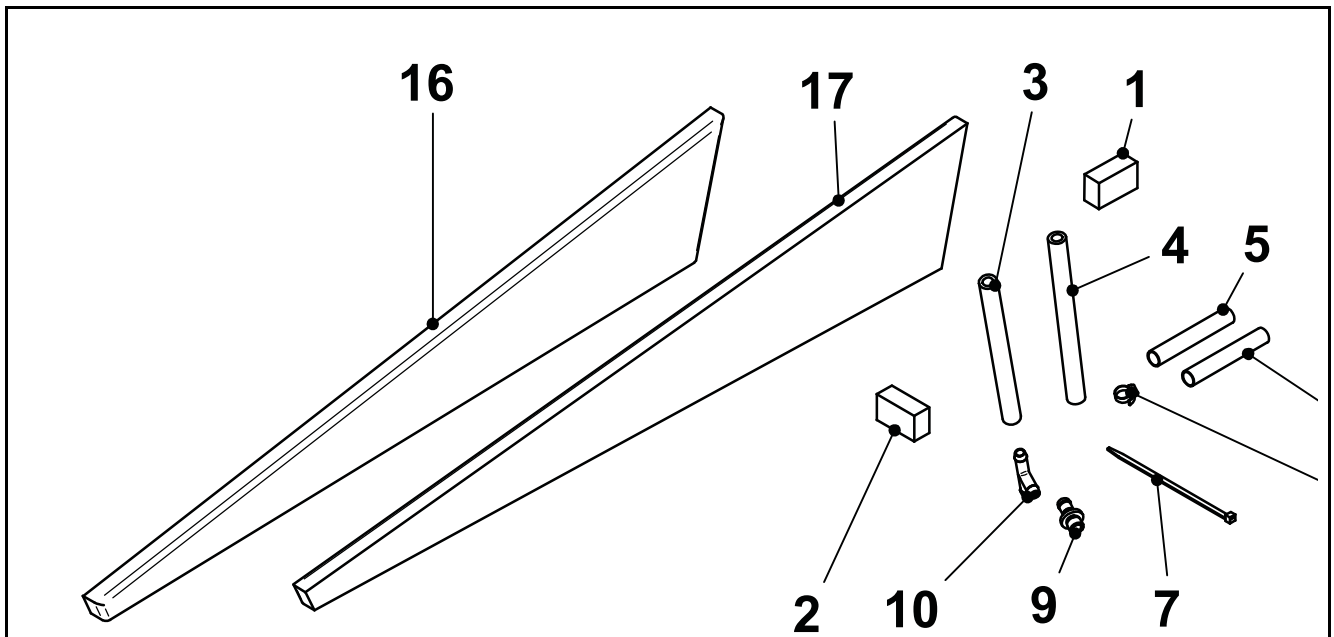


19.12 4178441 CAB KIT

ITEM	PART NO.	DESCRIPTION	QTY.	
		REAR LIGHTS & MISC PARTS		
		FOR VERTICAL REAR LIGHT CONFIGURATION		
1	008231811	Light-Number Plate	2	EL146 Kit
2	4138723	St/Wheel Column Collar	1	
4	LMAC456	Kit-Storage Rack	1	
6	4213986	Indicator/Light Sw c/w Decal	1	EL146 Kit
8	4161624	Rear Light Cluster	2	EL146 Kit
9	4161625	Relay-Flasher	1	
11	4198561	Pressure Switch (Brake Lights)	1	
14	4214280	Decal-Lighting Stalk	1	Supplied with item 6 EL146 Kit
26	450171	Screw-Hex M6 x 20	2	
28	450377	Nut-Hex M6 Nyloc	8	
30	450389	Wshr-M6 x 12.5 x 1.8	10	
33	450410	Wshr-SLW M6	2	
37	450545	Screw-Pan Hd M6 x 35	4	
38	450940	Screw-Set M4 x 4, Cup Pnt	4	
40	MBG4821	Plate-Reg No	1	
*	4161785	Number Plate Wiring Loom	1	
41	4138892	Hazard Switch	1	
44	870000065	1/8 BSP Dowty Washer	1	
45	4179501	Dome Plug	1	
46	4188360	Test Point-1/8 BSPP x 1-3/16 ORS	1	
*	4224000	Loom-number Plate Lights	1	EL146 Kit
*	4179501	Dome Plug, 22.2 Mm Panel Hole	2	EL146 Kit
*	008231748	Light Bulb-bs No.239	1	EL146 Kit
*	008232650	Lamp Holder	2	EL146 Kit
*	4161623	Front/side Indicator Lamps	2	EL146 Kit
*	4172161	Bulb 12v 4w	2	EL146 Kit

* Not illustrated

19.12 4178441 CAB KIT



19.12 4178441 CAB KIT

ITEM	PART NO.	DESCRIPTION	QTY.	
1		MATS & FITTINGS		
1		Seal	3.20m	6-310.60.601
2		Seal	0.70m	6-310.60.601
3		Hot water hose	0.26m	6-355.10.013
4		Hot water hose	0.26m	6-355.10.013
5		Corrugated hose	1.10m	6-357.40.170
6		Corrugated hose	1.10m	6-357.40.170
7		Tie wrap	15	6-357.20.751
8		Clip	6	6-357.10.011
9		Pipe union	1	6-358.10.013
10		Fitting	1	7-980.35.150
12		Acoustic insulation	1	2-885.30.643 (HR3300T only)
13		Bottom mat	1	2-885.30.640 (HR3300T only)
14		Mat - Right hand	1	2-885.30.642
15		Mat - Left Hand	1	2-885.30.641
16		Acoustic insulation - Right	1	2-885.30.650
17		Acoustic insulation - Left	1	2-885.30.651

* Not illustrated

19.12 4178441 CAB KIT

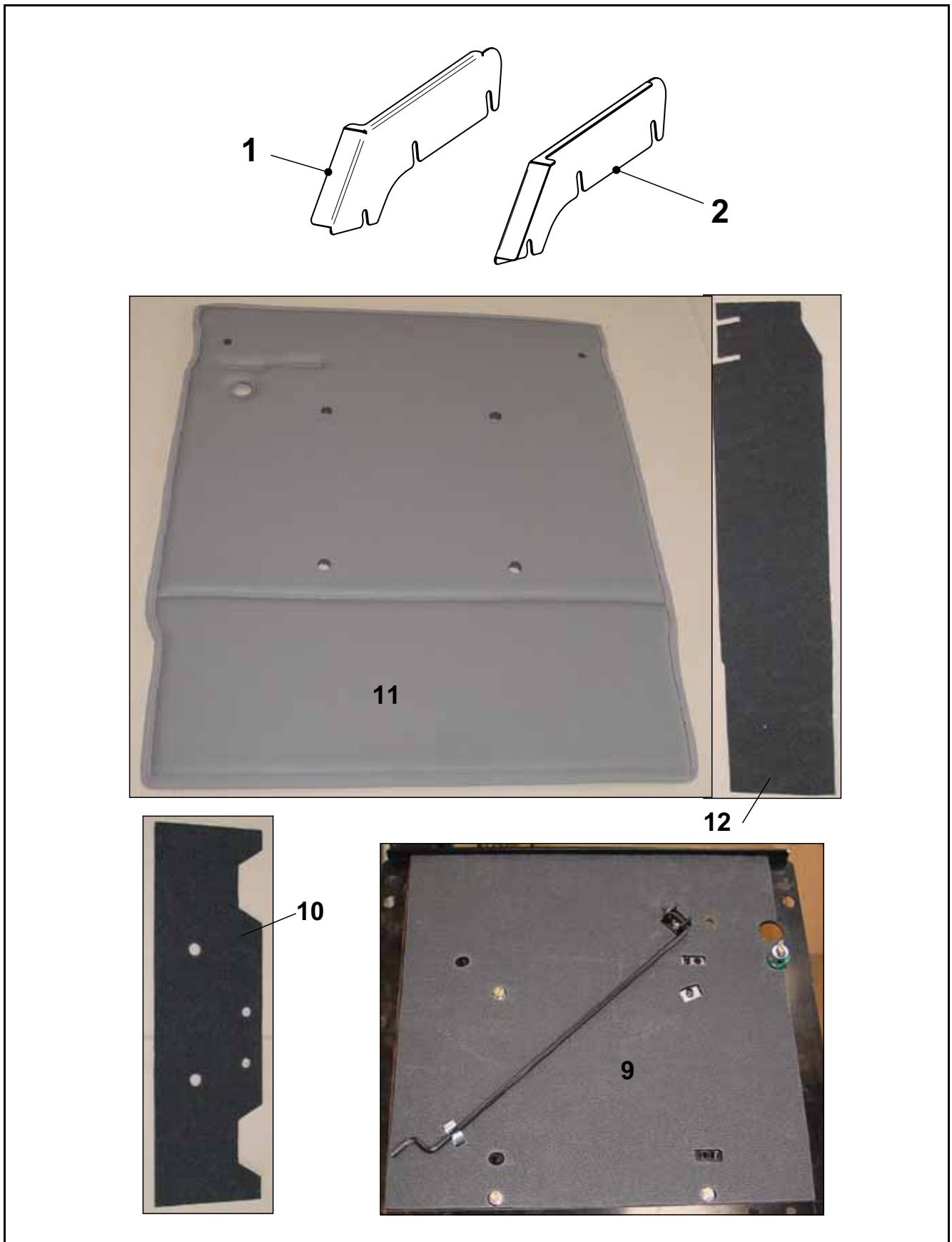


19.12 4178441 CAB KIT

ITEM	PART NO.	DESCRIPTION	QTY.	
1		MATS & INSULATION		
3		Acoustic insulation	1	2-885.30.644 (HR3300T only)
4		Acoustic insulation	1	2-885.30.645 (HR3300T only)
5		Acoustic insulation	1	2-885.30.646 (HR3300T only)
6		Acoustic insulation	1	2-885.30.647 (HR3300T only)
7		Acoustic insulation	1	2-885.30.648 (HR3300T only)
8		Acoustic insulation	1	2-885.30.649 (HR3300T only)
13		Acoustic insulation	1	2-885.30.656 (HR3300T only)
14		Acoustic insulation	1	2-885.30.657 (HR3300T only)
15		Acoustic insulation	1	2-885.30.658 (HR3300T only)
16		Acoustic insulation	1	2-885.30.659 (HR3300T only)

* Not illustrated

19.12 4178441 CAB KIT



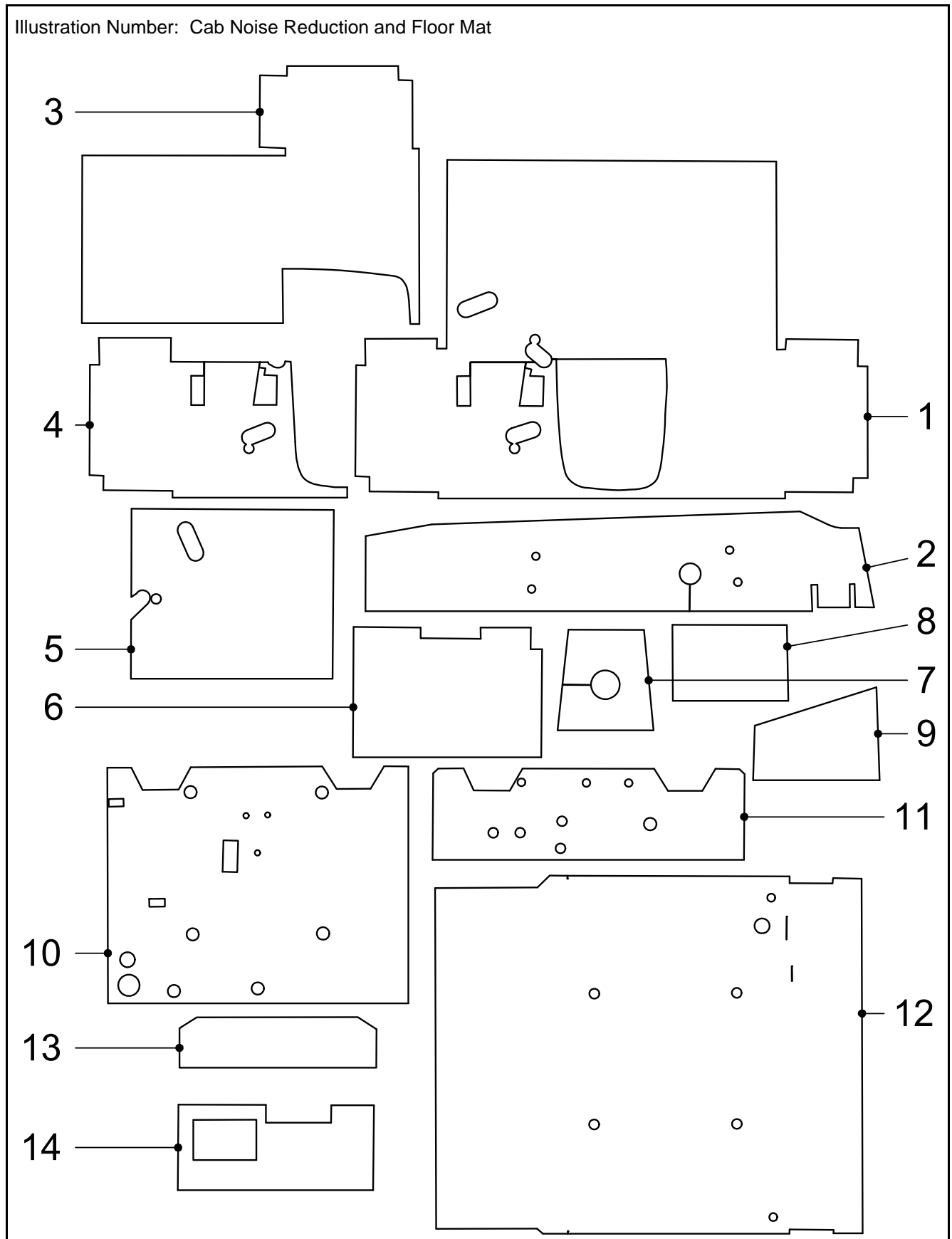
19.12 4178441 CAB KIT

ITEM	PART NO.	DESCRIPTION	QTY.	
1		MATS & INSULATION		
1		Sheet metal lagging - Right	1	2-885.30.638
2		Sheet metal lagging - Left	1	2-885.30.639
9		Acoustic insulation	1	2-885.30.652 (HR3300T only)
10		Acoustic insulation	1	2-885.30.653 (HR3300T only)
11		Padding	1	2-885.30.654 (HR3300T only)
12		Acoustic insulation	1	2-885.30.655 (HR3300T only)

* Not illustrated

19.12 4178441 CAB KIT

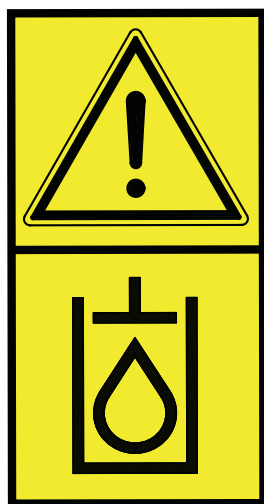
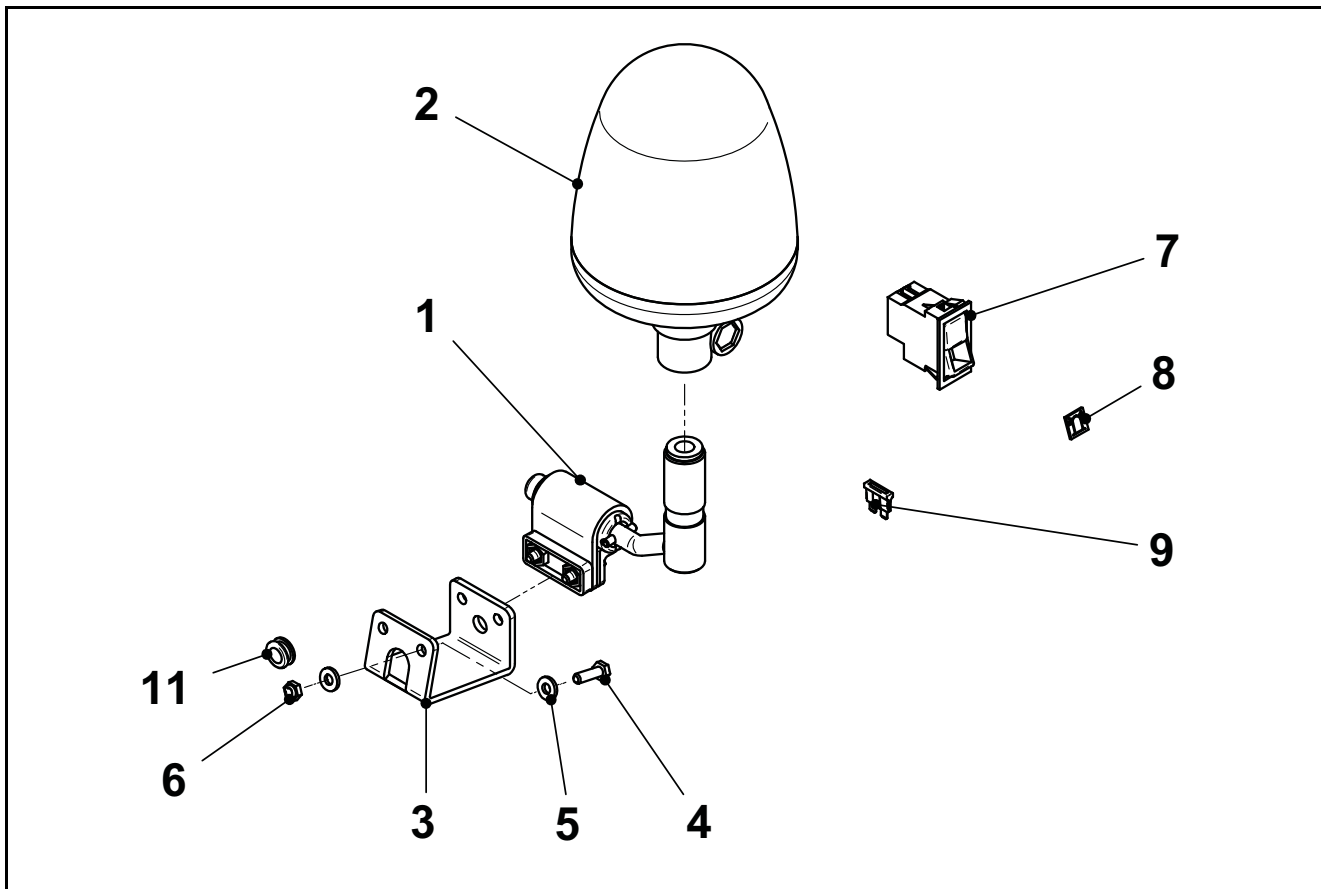
Illustration Number: Cab Noise Reduction and Floor Mat



19.12 4178441 CAB KIT

ITEM	PART NO.	DESCRIPTION	QTY.	
1		Floor Mat Center	1	2-885.30.670 (HR300 only)
2		Floor Mat Right	1	2-885.30.671 (HR300 only)
3		Acoustic Insulation	1	2-885.30.673 (HR300 only)
4		Acoustic Insulation	1	2-885.30.673 (HR300 only)
5		Acoustic Insulation	1	2-885.30.673 (HR300 only)
6		Dashboard Insulation	1	2-885.30.675 (HR300 only)
7		Steering Column Insulation	1	2-885.30.676 (HR300 only)
8		Steering Column Insulation	1	2-885.30.677 (HR300 only)
9		Steering Column Insulation	1	2-885.30.678 (HR300 only)
10		Insulation on seat plate	1	2-885.30.682 (HR300 only)
11		Insulation on the front seat plate	1	2-885.30.683 (HR300 only)
12		Seat Plate Padding	1	2-885.30.684 (HR300 only)
13		Dashboard Insulation	1	2-885.30.686 (HR300 only)
14		Dashboard Insulation	1	2-885.30.687 (HR300 only)

19.12 4178441 CAB KIT



19.12 4178441 CAB KIT

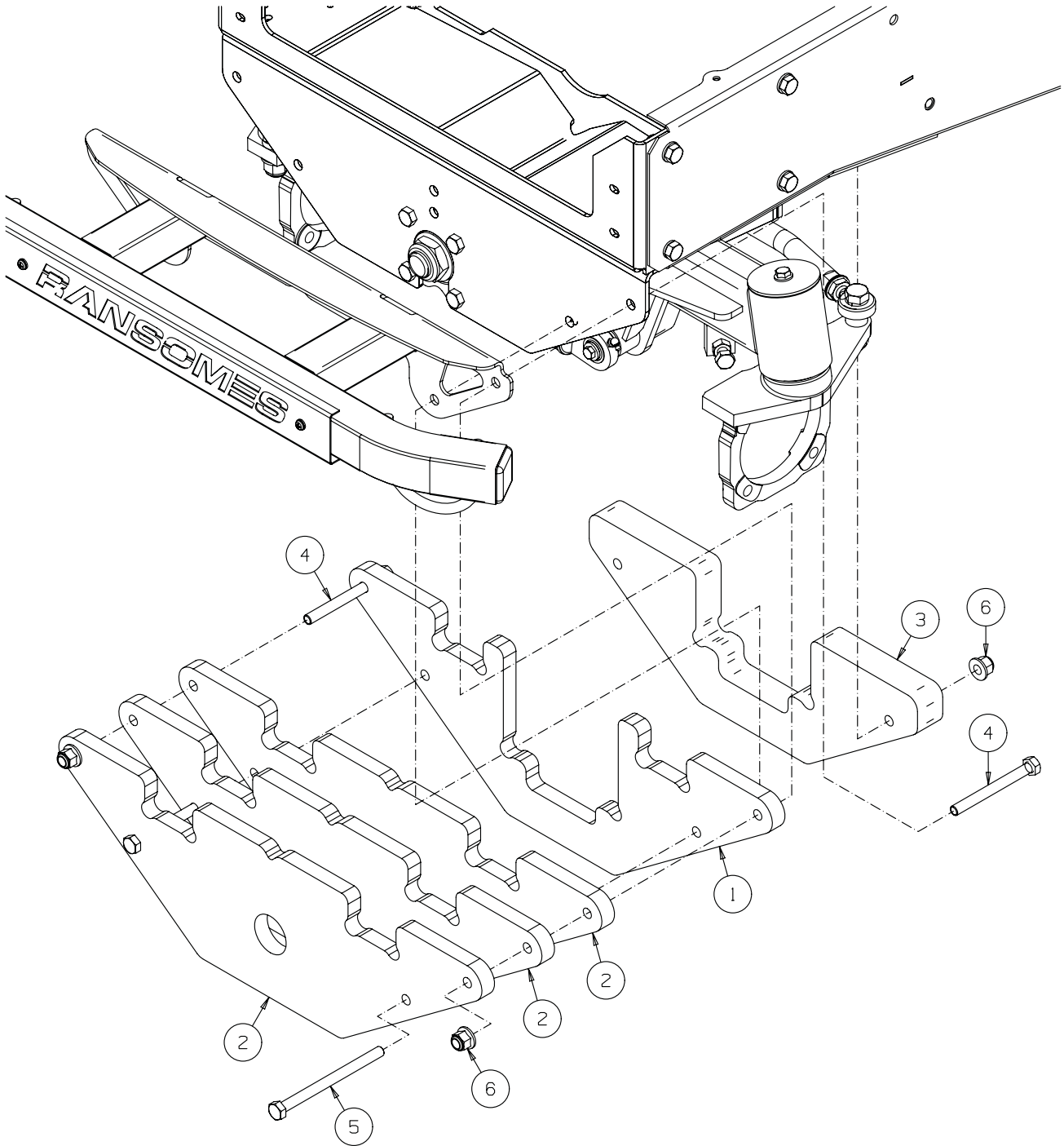
ITEM	PART NO.	DESCRIPTION	QTY.	
1		ROTATING BEACON		
1		Mounting bracket	1	W-000.00.315
2		Rotating light	1	6-210.25.200
3		Bracket	1	2-885.30.880
4		M6x20 DIN 933 Hex.Hd Screw	2	7-112.06.020
5		6.4x14 DIN 134 Plain Washer	4	7-200.06.014
6		M6 DIN 985 Locknut	2	7-220.10.060
7		Switch	1	6-260.10.210
8		Decal	1	6-410.00.211
9		5 Amp fuse	1	6-260.25.105
10		Cable	1	2-501.32.706
11		Ø13 Grommet	1	6-357.30.013
		DECALS		
1	009114340	Decal : Diesel Hazard	1	
2	4164860	Decal : Hydraulic Fluid	1	

* Not illustrated

19.13a LMAC461-F SLOPE KIT WITH ARAMIDE ("KEVLAR") TYRES FOR ROPS ONLY

Illustration Number: 4262590-1

Slope kit, with aramide specification tyres, for HR300 fitted with 152cm deck and ROPS frame only. To increase the safe operating angle of this configuration to 20°



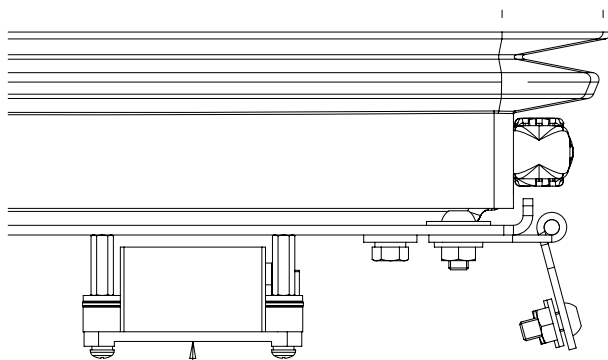
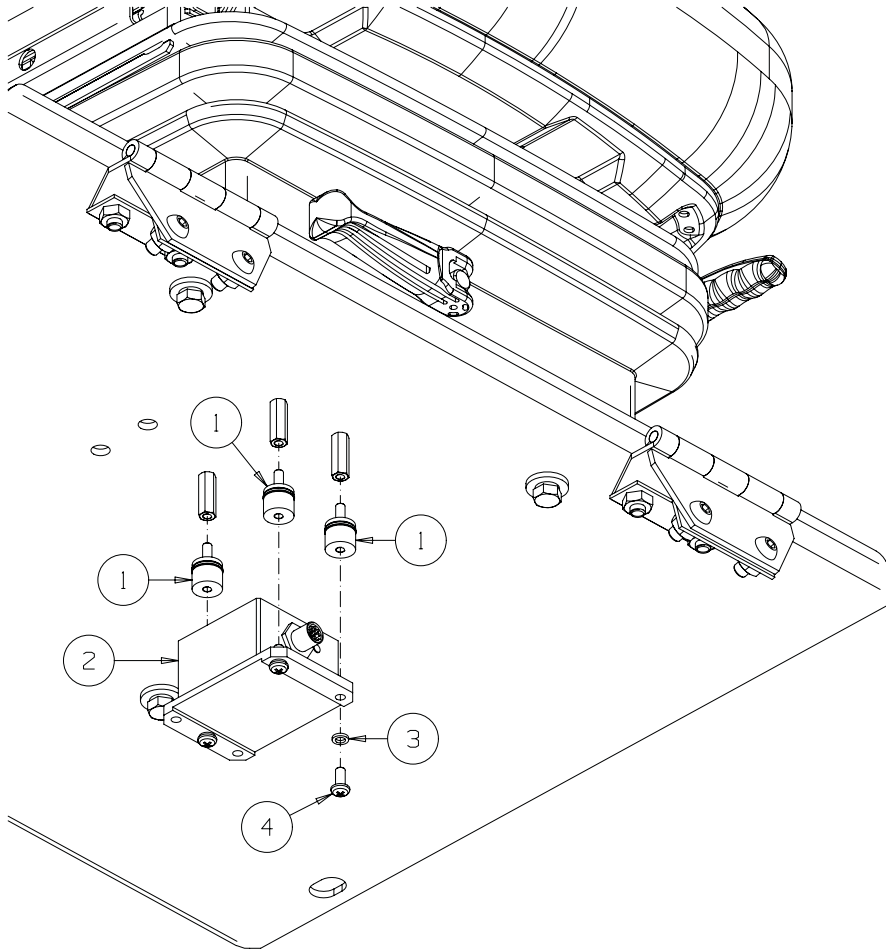
19.13a LMAC461-F SLOPE KIT WITH ARAMIDE ("KEVLAR") TYRES FOR ROPS ONLY

ITEM	PART NO.	DESCRIPTION	QTY.	
1	4171240	Weight-10 kg	1	
2	4171241	Weight-14.2 kg	3	
3	4171341	Weight-14.9 kg	1	
4	450061	Bolt-Hex M12-1.75 x 120, Gr 8.8	2	
5	450065	Bolt-Hex M12-1.75 x 160, Gr 8.8	2	
6	452438	Nut-Myloc M12 Flng	4	
11*	LMAC401	Kit-TST (Tilt Sensor Technology)	1	
21*	4262591	Decal-Slope 20°	1	
31*	4220423	Wheel & Tyre Asm 26x12x12	2	Aramide Specification
41*	4262590	Assembly Drg-Slope Kit	1	

* Not illustrated

19.13b LMAC401 TST™ (Tilt Sensor Technology) KIT

Illustration Number: 4262590-2



ASSEMBLE THE INCLINOMETER (ITEM 2) SO THAT THE CONNECTOR PORT IS FACING FORWARDS. THE INCLINOMETER MUST BE ASSEMBLED SO THAT THE BLACK BOX IS BETWEEN THE AV MOUNTS AND THE SEAT PLATE, AS SHOWN (I.E. THE LABEL ON THE ALUMINIUM FLANGE MUST BE VISIBLE)

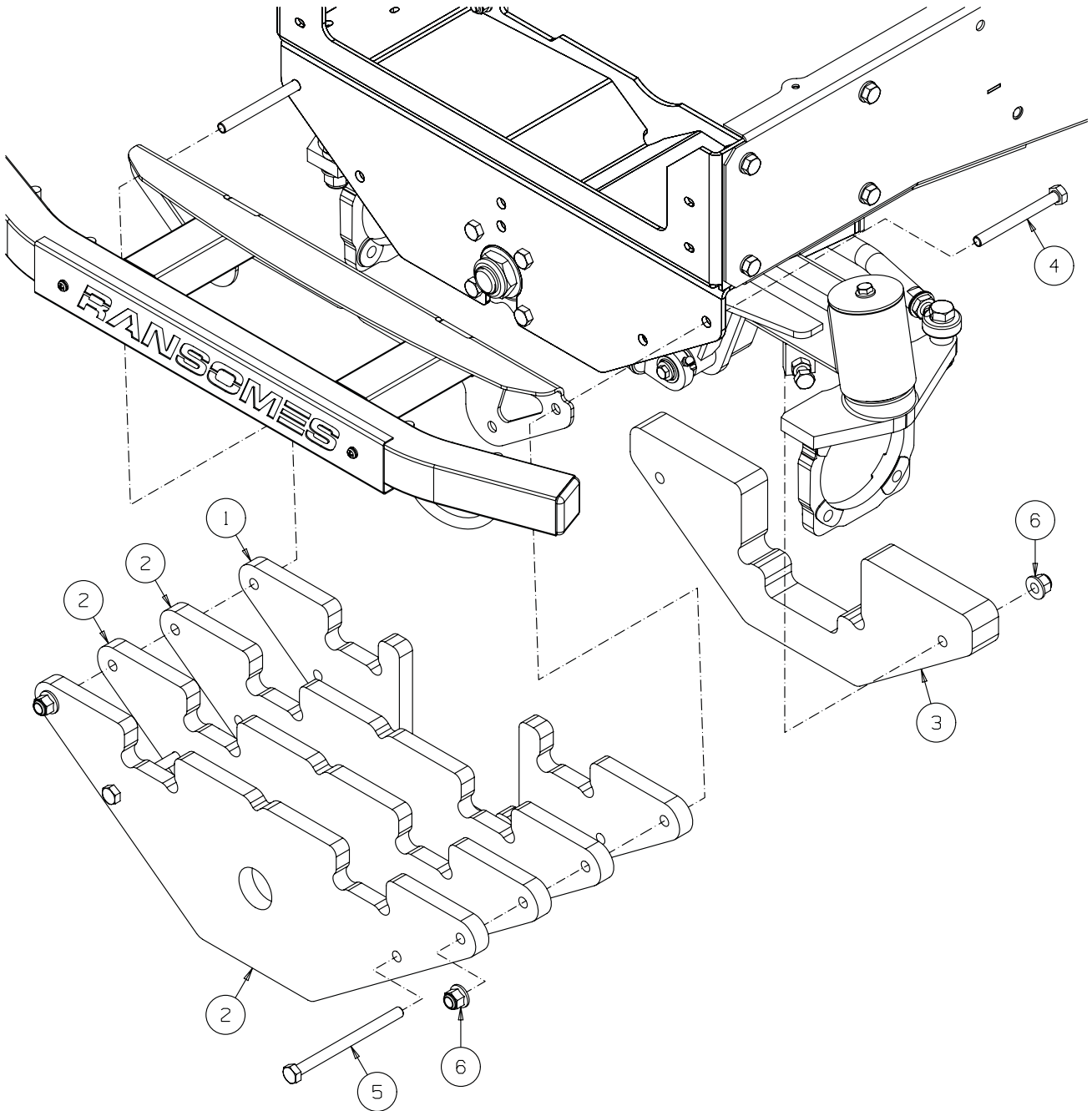
19.13b LMAC401 TST™ (Tilt Sensor Technology) KIT

ITEM	PART NO.	DESCRIPTION	QTY.	
1	4205840	Anti-Vibration Mount	3	
2	4198284	Inclinometer	1	
3	450409	Lockwshr-M5 x 8.55 x 1.5	3	
4	450526	Screw-Pan Hd M5-0.8 x 12, Gr 4.8	3	

* Not illustrated

19.14a LMAC473-F WEIGHT KIT FOR 152cm DECK + CAB, AND WESSEX FLAIL

Illustration Number: 4273520-1



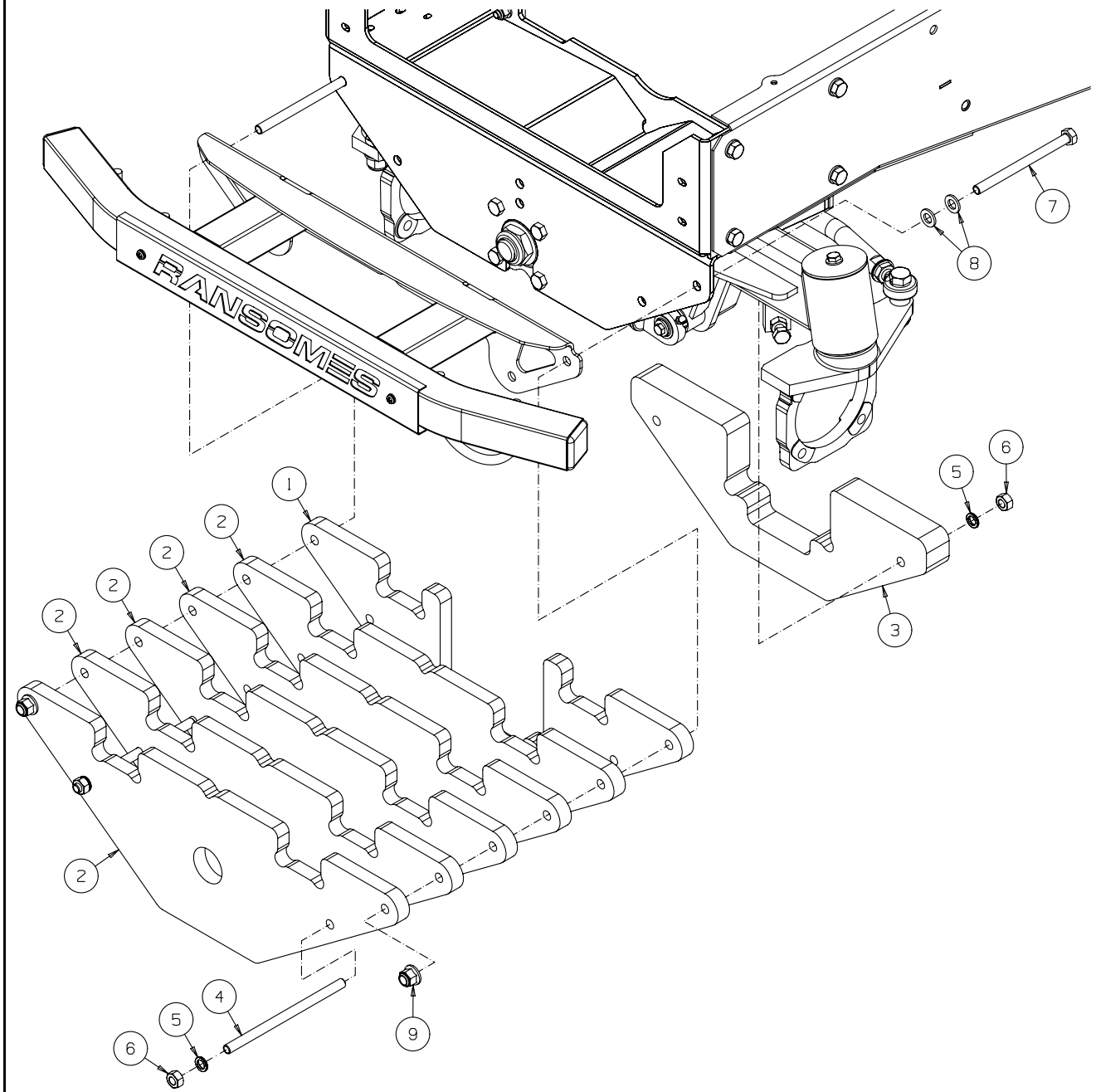
19.14a LMAC473-F WEIGHT KIT FOR 152cm DECK + CAB, AND WESSEX FLAIL

ITEM	PART NO.	DESCRIPTION	QTY.	
1	4171240	Weight-10 kg	1	
2	4171241	Weight-14.2 kg	3	
3	4171341	Weight-14.9 kg	1	
4	450061	Bolt-Hex M12-1.75 x 120, Gr 8.8	2	
5	450065	Bolt-Hex M12-1.75 x 160, Gr 8.8	2	
6	452438	Nut-Myloc M12 Flng	4	

* Not illustrated

19.14b LMAC485-F WEIGHT KIT FOR 183cm DECK + CAB

Illustration Number: 4273520-2



19.14b LMAC485-F WEIGHT KIT FOR 183cm DECK + CAB

ITEM	PART NO.	DESCRIPTION	QTY.	
1	4171240	Weight-10 kg	1	
2	4171241	Weight-14.2 kg	5	
3	4171341	Weight-14.9 kg	1	
4	4273970	Stud, M12-1.75 x 205	2	
5	4273470	AV Wshr-13 x 19.5 x 2.5	4	
6	450326	Nut-Hex M12-1.75, Gr 8	4	
7	450065	Bolt-Hex M12-1.75 x 160, Gr 8.8	2	
8	450392	Wshr-M12 x 24 x 2.7	4	
9	452438	Nut-Myloc M12 Flng	2	

* Not illustrated



Europe & Rest of The World Except North & South America

Ransomes Jacobsen Limited
West Road, Ransomes Europark, Ipswich, IP3 9TT
English Company Registration No. 1070731
www.ransomesjacobsen.com

North & South America

Jacobsen, A Textron Company
11108 Quality Drive, Charlotte,
NC 28273, USA
www.Jacobsen.com