



Parts Manual

Jacobsen GP400™ Ride on Reel Mower

GP400 Gasoline

Series: GZ

Product code: USAG004 & 62706

GP400 Diesel Tier 3 (Not USA)

Series: GY

Product code: USAD004

GP400 Diesel Tier 4

Series: GY4

Product code: USAD004

WARNING

WARNING: If incorrectly used this machine can cause severe injury. Those who use and maintain this machine should be trained in its proper use, warned of its dangers and should read the entire manual before attempting to set up, operate, adjust or service the machine.



When Performance Matters.™

Ransomes Jacobsen Limited reserves the right to make design changes without obligation to make these changes on units previously sold and the information contained in this manual is subject to change without notice.

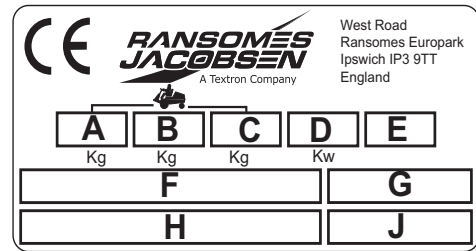
TABLE OF CONTENTS

<p>CHASSIS 8</p> <p>ROPS ISO21299 10</p> <p>ENGINE (DIESEL) 12</p> <p>AIR FILTER 14</p> <p>RADIATOR OIL COOLER (DIESEL) 16</p> <p>ENGINE (GAS) 18</p> <p>OIL COOLER, GAS 20</p> <p>FUEL SYSTEM (DIESEL) 22</p> <p>FUEL SYSTEM GASOLINE - NONE EPA AND CARB COMPLIANTE 24</p> <p>FUEL SYSTEM GASOLINE - EPA AND CARB COMPLIANTE 26</p> <p>CARBON CANISTER 28</p> <p>FUEL TANK DIESEL 30</p> <p>FUEL TANK GASOLINE - NONE EPA AND CARB COMPLIANTE 32</p> <p>FUEL TANK GASOLINE - EPA AND CARB COMPLIANTE 34</p> <p>CARGO NET ASSEMBLY 36</p> <p>TRANSMISSION PUMP 38</p> <p>TRANSMISSION PUMP 40</p> <p>TRANSMISSION PUMP CONTROL 42</p> <p>CUTTING MOTORS 44</p> <p>LIFT / STEER RAMS 46</p> <p>FILTER & COOLER 48</p> <p>FRONT MOTORS 50</p> <p>BACKLAP VALVE 52</p> <p>BACKLAP VALVE BREAKDOWN 54</p> <p>CUTTER LIFT VALVE 56</p> <p>UTTER / LIFT VALVE BREAKDOWN 58</p> <p>PUMP STACK 60</p> <p>HYDRAULIC TANK CONNECTIONS 62</p> <p>BULKHEAD FITTINGS 64</p> <p>CLAMPS 66</p> <p>CUTTING CIRCUIT 68</p> <p>TRANSMISSION CIRCUIT 70</p> <p>LIFT CIRCUIT 72</p> <p>STEERING CIRCUIT 74</p> <p>TANK FILTER COOLER CIRCUIT 76</p> <p>HYDRAULIC TANK DIESEL AND NON EPA AND CARB COMPLIANT GASOLINE 78</p> <p>HYDRAULIC TANK GASOLINE EPA AND CARB COMPLIANT GASOLINE 80</p> <p>CONTROL ARM 82</p> <p>HANDBRAKE 84</p> <p>REAR WHEEL 86</p> <p>FOOTPEDAL 88</p> <p>SEAT (MILSCO) 90</p> <p>SEAT (GRAMMER) 92</p> <p>INSTRUMENT CONTROL 94</p> <p>INSTRUMENT PANEL (DIESEL) 96</p> <p>INSTRUMENT PANEL (GAS) 98</p> <p>BATTER 100</p> <p>TOOLBOX/STEP 102</p> <p>FRONT LIFT GROUP 104</p> <p>REAR SWING ARM 106</p> <p>REAR SWING ARM 108</p> <p>CLASSIC XP MOTOR MOUNTING 110</p> <p>CLASSIC XP CUTTING HEAD 112</p> <p>CLASSIC XP REAR ROLLERS 114</p> <p>VERTICUT HEAD 116</p> <p>REAR ROLLER & SCRAPER VERTICUT 118</p>	<p>ACCESSORY - ROTARY REAR BRUSH 120</p> <p>CLASSIC XP FRONT & REAR ROLLS 122</p> <p>CLASSIC XP FRONT ROLL 2" SMOOTH & SCRAPER 124</p> <p>TRUE SET OUTER REEL 128</p> <p>TRUE SET INNER REEL 130</p> <p>TRUE SET REAR ROLLER 132</p> <p>TRUE SET MACHINED GROOVED ROLLER 133</p> <p>TRUE SET SOLID FRONT ROLLER 134</p> <p>TRUE SET 22" GROOVED STEEL DISC FRONT ROLLER 135</p> <p>TRUE SET 22" SEGMENTED GROOVED FRONT ROLLER 136</p> <p>TRUE SET MOTOR ADAPTER KIT 137</p> <p>TURF GROOMER 138</p> <p>TURF GROOMER DRIVE ASSEMBLY 140</p> <p>TURF GROOMER DRIVEN ASSEMBLY 142</p> <p>TURF GROOMER BLADE ASSEMBLY 144</p> <p>TURF GROOMER ROLLER ASSEMBLY 146</p> <p>TURF GROOMER QUICK HEIGHT ADJUSTER 148</p> <p>GRASS CATCHER 150</p> <p>DECALS 152</p> <p>LMAC415 DEW WHIP HOLDER 154</p> <p>LMAC412 PADDLE KIT 156</p> <p>LMAC 418 3 WHEEL DRIVE KIT 158</p>
--	--

PRODUCT IDENTIFICATION

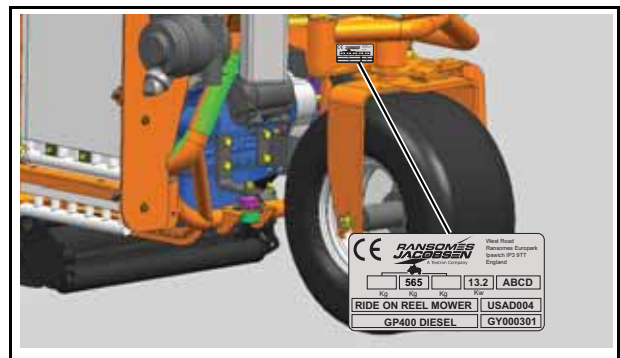
Machine Serial Plate

- A Maximum front axle load in Kg (for machines being driven on the highway)
- B Gross weight (mass) in Kg
- C Maximum rear axle load in Kg (for machines being driven on the highway)
- D Power in Kw
- E Date code
- F Machine type (Designation)
- G Product code
- H Product name
- J Serial number



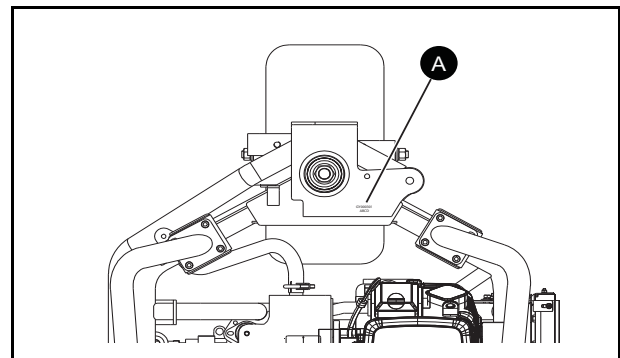
Serial Plate Location

The serial plate is located on the chassis at the rear of the machine.



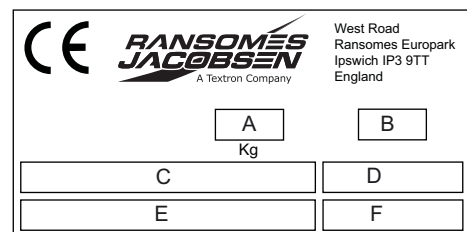
Chassis Stamping

The Serial number and date code (A) are stamped on the chassis rear axle support plate.



ROPS Serial Plate

- A Weight of ROPS
- B Date Code
- C Standard Used
- D Part Number
- E Used on Product
- F Serial Number



ROPS Serial Plate Location

The serial plate is located on the ROPS cross beam between the seat and engine cover.



SPARES STOCKING GUIDE

To keep your equipment fully operational and productive, Ransomes suggests you maintain a stock of the more commonly used maintenance items. We have included part numbers for the additional support materials and training aids.

SERVICE SUPPORT MATERIAL			
Part No.	Description	Part No.	Description
97898-72020	Kubota Diesel Engine Parts Manual	MS-2263	Briggs & Stratton Gasoline Engine Parts Manual
IG689-8916-1	Kubota Diesel Engine Operators Manual	MS-5156-5/03	Briggs & Stratton Gasoline Engine Operators Manual

SERVICE PARTS			
Part No.	Description	Part No.	Description
5002644	Engine Oil Filter Diesel	492932S	Engine Oil Filter Gas
840352	Air Filter Element Diesel	5000441	Air Filter Element Gas
550489	Fuel Filter Element Diesel	272490S	Air Pre Cleaner Gas
25000G	Safety, Ops and Maintenance Manual	4199061	Hydraulic Oil Filter Element

HOW TO USE THE PARTS MANUAL

ITEM NUMBER

Each part which is identified in the illustrations has an item number. Parts which do not have an item number may not be readily identified in the illustration but are usually closely associated with the immediately adjacent part.

ASSEMBLIES

A complete assembly, e.g. a wheel motor or hydraulic motor or roll assembly, is listed as a complete item with subsequent individual components listed separately.

The assembly is listed under its part number with component parts being listed offset to the right, e.g.:-

ITEM	PART NO.	DESCRIPTION	QTY	REMARKS
4295	MBG2504	Bracket	1	
4296	MBG3848	Latch	2	
4298	450865	Screw, M8 X 20, Sckt Csk Hd	2	
4300	450378	Nut, M8 Nyloc	2	
4301	WI001	Set Of Wheels	1	
4301.1	008162130	• Wheel & Hub Assy	1	(Rear)
4301.2	008170390	•• Tyre	1	
4301.3	008161830	•• Rim	1	
4301.4	008169140	•• Hub Assy.	1	
4301.5	008169150	•• Cap	1	
4301.6	002993010	•• Lubricator	1	
4301.7	008161990	• Wheel & Tyre	2	(Front)
4301.8	008170780	•• Tyre	2	

It may not be possible to illustrate every item. With certain items purchased from outside suppliers some component parts may not be available from Ransomes and may need to be specially ordered from the supplier.

QUANTITIES

Quantities shown are for one assembly or sub-assembly.

USING THE PARTS LIST

Determine the function and application of the part required. Turn to the main index page and select the appropriate section. Locate the part on the illustration and parts list and read off the quantity from the appropriate MODEL column.

NUMERICAL INDEX

This is a summary of all part numbers used in the manual arranged in numerical sequence and showing the page and item number under which the parts appear.

ORDERING OF SPARE PARTS

When ordering replacement parts, it is most important to quote the SERIAL NUMBER of the machine, PART NUMBER, DESCRIPTION and QUANTITY required.

Any arbitrary modifications carried out on this machine may relieve the manufacturer of liability for any resulting damage or injury.

ABBREVIATIONS

N/A Not Available

ARAs Required

GUIDELINES FOR THE DISPOSAL OF SCRAP PRODUCTS

DURING SERVICE LIFE

Used oil, oil filters and engine coolant are hazardous materials and should be handled in a safe and environmentally responsible way.

In the event of a fluid leak, contain the spill to prevent it entering the ground or drainage system. Local legislation will dictate how such spills are to be treated.

Following the maintenance procedures laid out in this manual will ensure that the impact the machine has on the local environment is controlled.

When it has been identified that a turf care product has no further functional value and requires disposal, the following actions should be taken.

END OF SERVICE LIFE

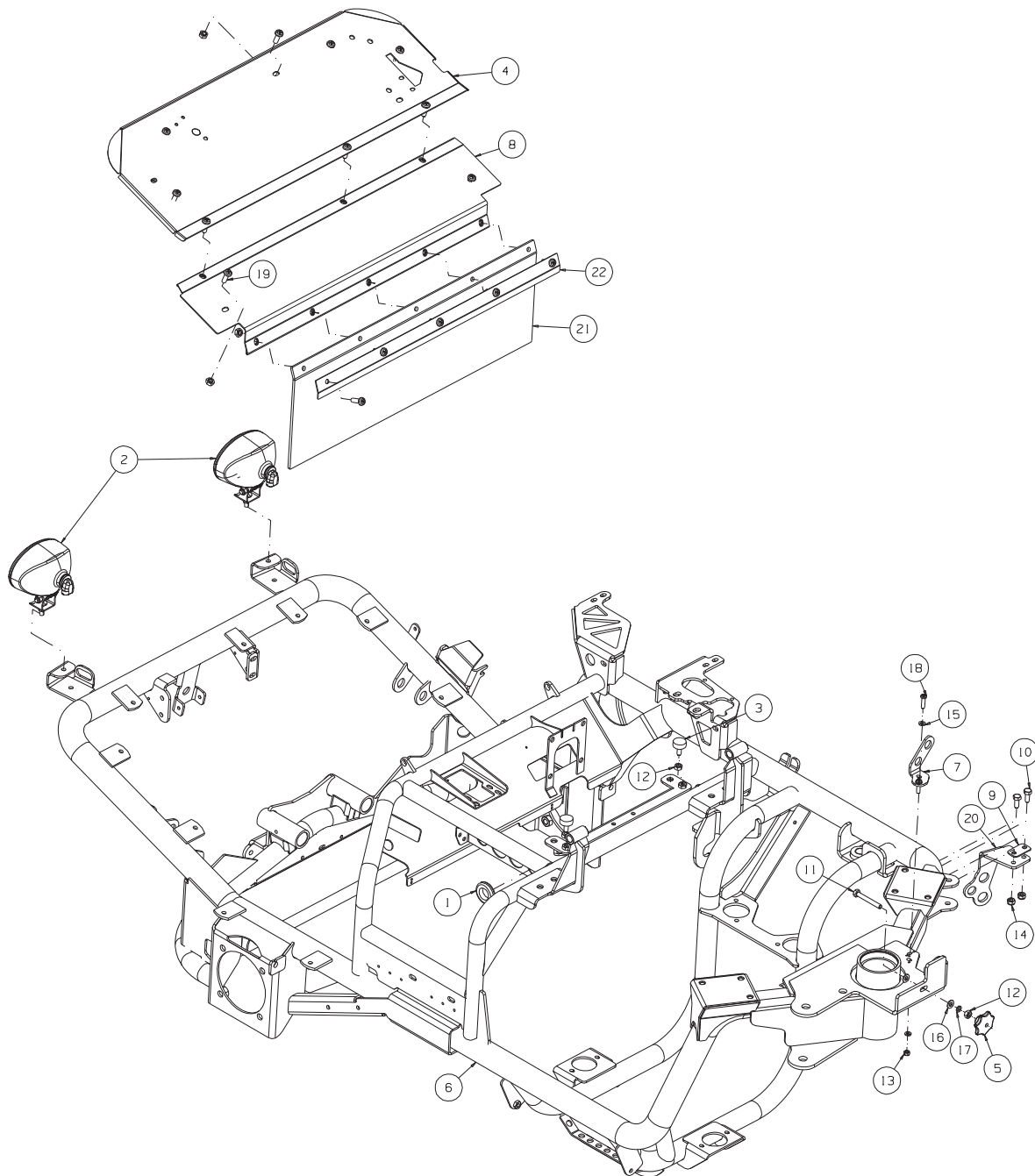
These guidelines should be used in conjunction with applicable Health, Safety and Environmental legislation and use of approved local facilities for waste disposal and recycling.

- Position the machine in a suitable location for any necessary lifting equipment to be used.
- Use appropriate tools and Personal Protective Equipment (PPE) and take guidance from the technical manuals applicable to the machine.
- Remove and store appropriately:
 1. Batteries
 2. Fuel residue
 3. Engine coolant
 4. Oils
- Disassemble the structure of the machine referring to the technical manuals where appropriate. Special attention should be made for dealing with 'stored energy' within pressurised elements of the machine or tensioned springs.
- Any items that still have a useful service life as second hand components or can be re-serviced should be separated and returned to the relevant centre.
- Other worn out items should be separated into material groups for recycling and disposal consistent with available facilities. More common separation types are as follows:
 - Steel
 - Non ferrous metals
 - Aluminium
 - Brass
 - Copper
 - Plastics
 - Identifiable
 - Recyclable
 - Non recyclable
 - Not identified
 - Rubber
 - Electrical & Electronic Components
- Items that cannot be separated economically into different material groups should be added to the 'General waste' area.
- Do not incinerate waste.

Finally update machinery records to indicate that the machine has been taken out of service and scrapped. Provide this serial number to Ranmsomes Jacobsen Warranty department to close off relevant records.

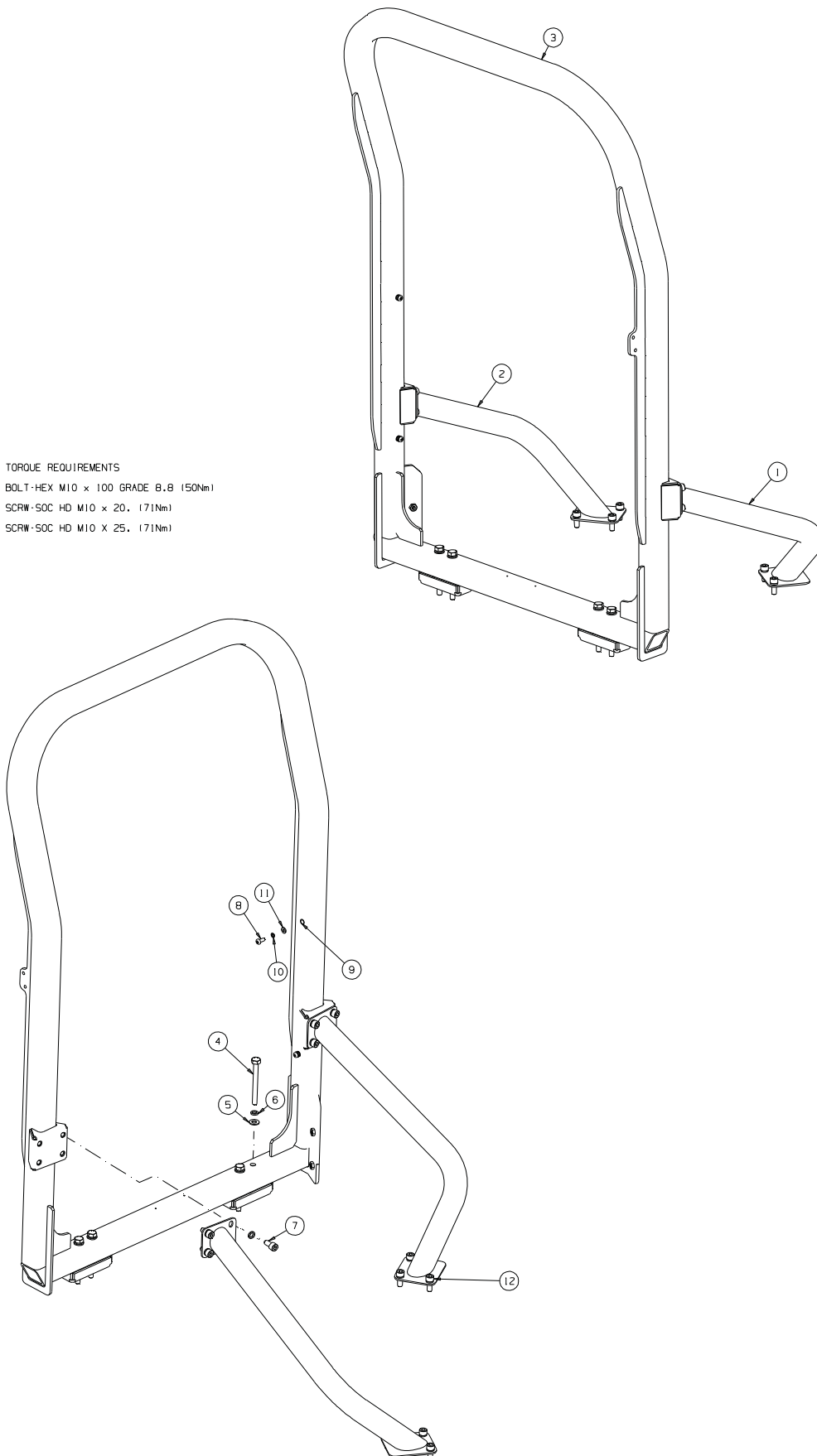
CHASSIS

Illustration Number: 4226480



ITEM	PART NO.	DESCRIPTION	QTY.	REMARKS
1	002953420	Grommet-25.4 x 44.5 x 9.9	1	
2	4122840	Headlight Assembly	2	
3	4136290	Rubber Buffer	2	
4	4185100	Plate-Non Foot Brake	1	
5	4187240	Knob, M8	1	
6	4218440	Wldmt-Chassis GP400	1	
7	4243242	Valve Bracket	1	
8	4239702	Wldmt-Foot Plate	1	
9	4241282	Shim Plate	1	
10	450191	Scrw-Hex M8 x 20	2	
11	450199	Scrw-Hex M8 x 60	1	
12	450324	Nut-Hex M8	4	
13	450377	Nut-Hex M6 Nyloc	2	
14	450378	Nut-Hex M8 Nyloc	2	
15	450389	Wshr-M6 x 12.5 x 1.8	4	
16	450390	Wshr-M8 x 17 x 1.8	2	
17	450411	Lockwshr- M8 x 12.75 x 2	1	
18	450543	Scrw-Pan HD M6 x 25	2	
19	450553	Scrw-Pan HD M8 x 25	15	
20	843404.06	Bracket-Fitting Mount	1	
21	843886.07	Cover	1	
22	843887	Strap, Cover	1	

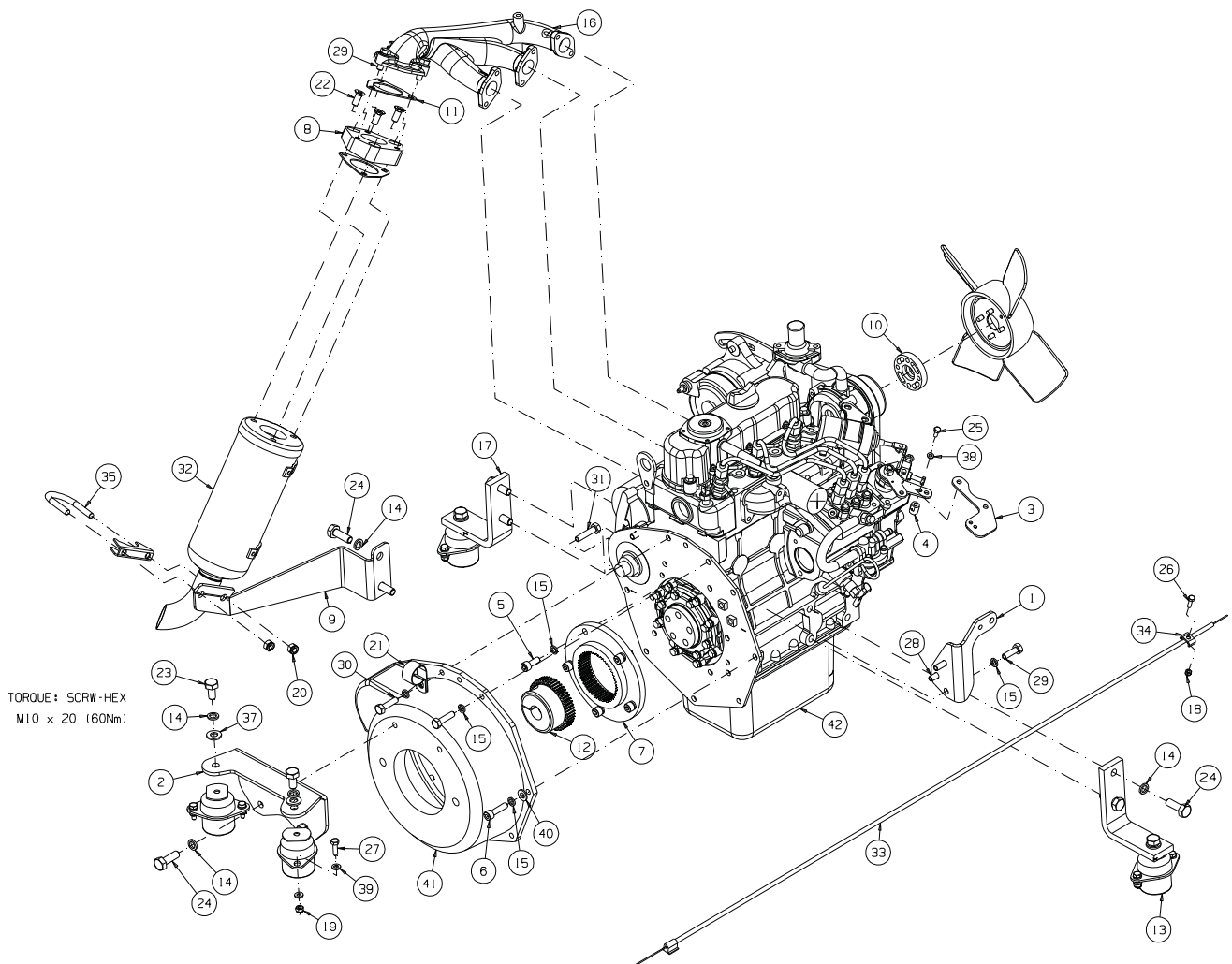
TORQUE REQUIREMENTS
BOLT-HEX M10 x 100 GRADE 8.8 (150Nm)
SCREW-SOC HD M10 x 20. (171Nm)
SCREW-SOC HD M10 X 25. (171Nm)



ITEM	PART NO.	DESCRIPTION	QTY.	REMARKS
1	4218224	Wldmt-Rear Strut LH Rops	1	
2	4218225	Wldmt-Rear Strut RH Rops	1	
3	4225282	Rops-GPlex IV ISO21299	1	
4	450041	Bolt-Hex M10 x 100	4	
5	450391	Wshr-M10 x 21 x 2.2	4	
6	450412	Lock Washer-M10 x 15.9 x 2.5	18	
7	450737	CapScrw-Sckt M10 x 20	8	
8	450541	Scrw-Pan HD M6 x 16	2	
9	450357	M6 Nutsert	2	
10	450410	Lock Washer-M6 x 9.6 x 1.5	2	
11	450389	Wshr-M6 x 12.5 x 1.8	2	
12	450738	Capscrw-Sckt M10 x 25	6	

ENGINE (DIESEL)

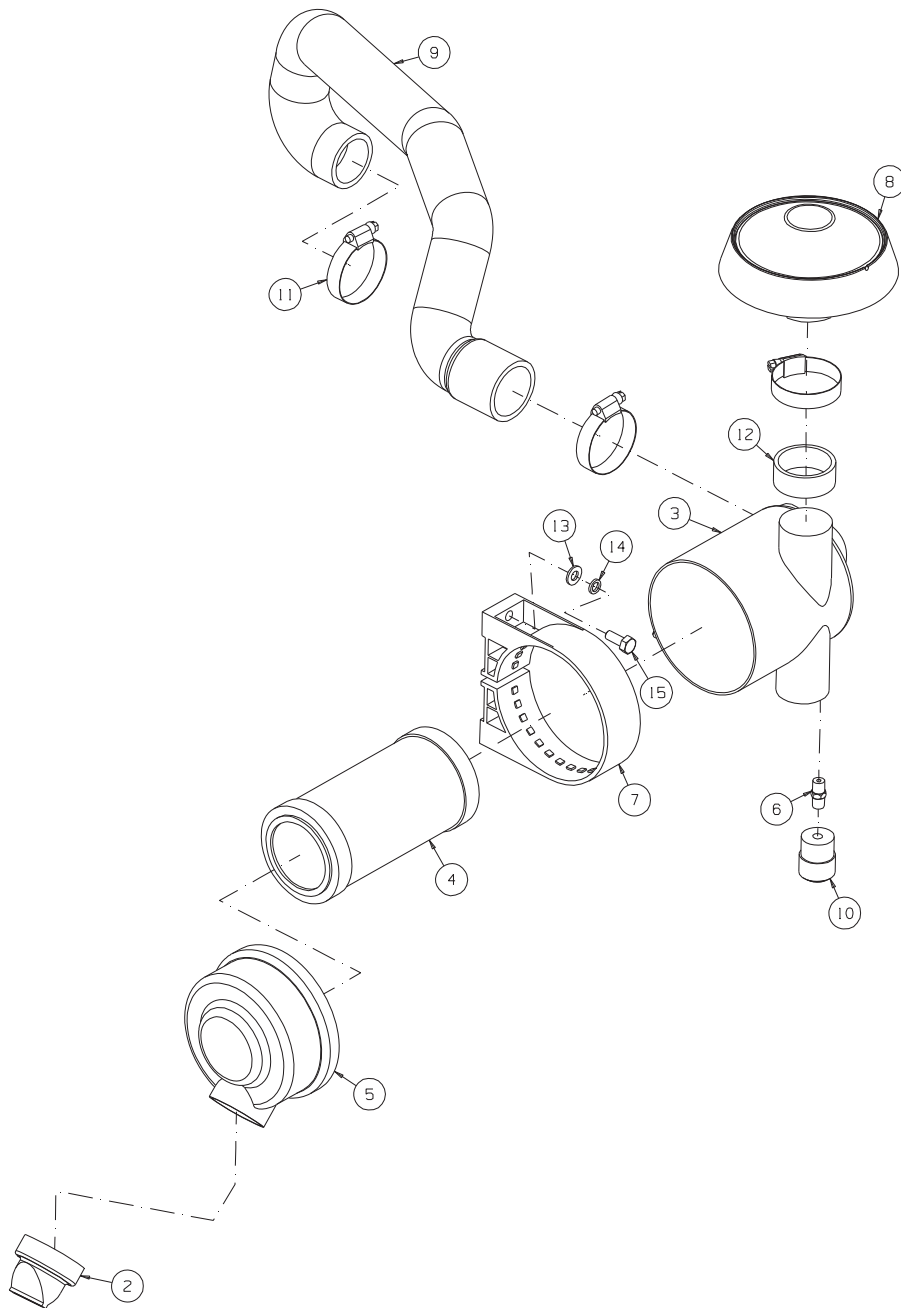
Illustration Number: 4226481_B



ITEM	PART NO.	DESCRIPTION	QTY.	REMARKS
1	4232841	Bracket, Mounting Fuel Filter	1	
2	4220841	Bracket-Engine Mount	1	
3	839972	Bracket - Mount Throttle Cable	1	
4	MBF0942	Cable Clamp	1	
5	450723	Cap screw - Socket M8 x 20	5	
6	450725	Cap screw - Socket M8 x 30	4	
7	4176383	Bell Housing & Coupling AY	1	
	4172804	• Coupling	1	
	4172801	• Bell Housing	1	
8	4123644	Exhaust Adapter	1	
9	4123646	Exhaust Support	1	
10	006822150	Fan Spacer-10 mm	1	
11	4124496	Gasket	2	
12	844496	Hub	1	
13	4228480	Hydro Mount XS	4	
14	450412	Lock washer- M 10 x 15.9 x 2.5	12	
15	450411	Lock washer - M8 x 12.75 x 2	18	
16	4124180	Manifold	1	
17	4220840	Mount-Engine Leg (Hyd Mount)	2	
18	450376	Nut-Hex M5 Nyloc	1	
19	450377	Nut-Hex M6 Nyloc	8	
20	001339050	Nut-Hex M8 Staytite	2	
21	469021633	P-Clip	1	
22	450865	Screw - Socket Countersunk M8 X 20	3	
23	450213	Screw - Hex M10 x 20	4	
24	006820550	Screw - Hex M10-1.25 x 30	8	
25	450149	Screw - Hex M5 x 12	1	
26	450151	Screw - Hex M5 x 16	1	
27	450171	Screw - Hex M6 x 20	8	
28	450191	Screw - Hex M8 x 20	1	
29	450192	Screw - Hex M8 x 25	6	
30	450193	Screw - Hex M8 x 30	2	
31	450194	Screw - Hex M8 x 35	1	
32	4124181	Silencer-Kubota	1	
33	4150739	Throttle Cable	1	
34	W022372	B&S Cable Clamp	1	
35	001990399	U Clamp, 1.3/8"	1	
36	452000326	Washer - 3/8 x 3/4 x 0.072	2	
37	450391	Washer - M10 X 21 X 2.2	4	
38	450388	Washer - M5 X 10 X 1.1	1	
39	450389	Washer - M6 X 12.5 X 1.8	16	
40	450390	Washer - M8 X 17 X 1.8	4	
41	006911490	Housing, Hydro, Diesel Plex	1	
42	4174100	Engine - D722-E3B	1	Tier 3
42	4303997	Engine - D722-E4B	1	Tier 4

AIR FILTER

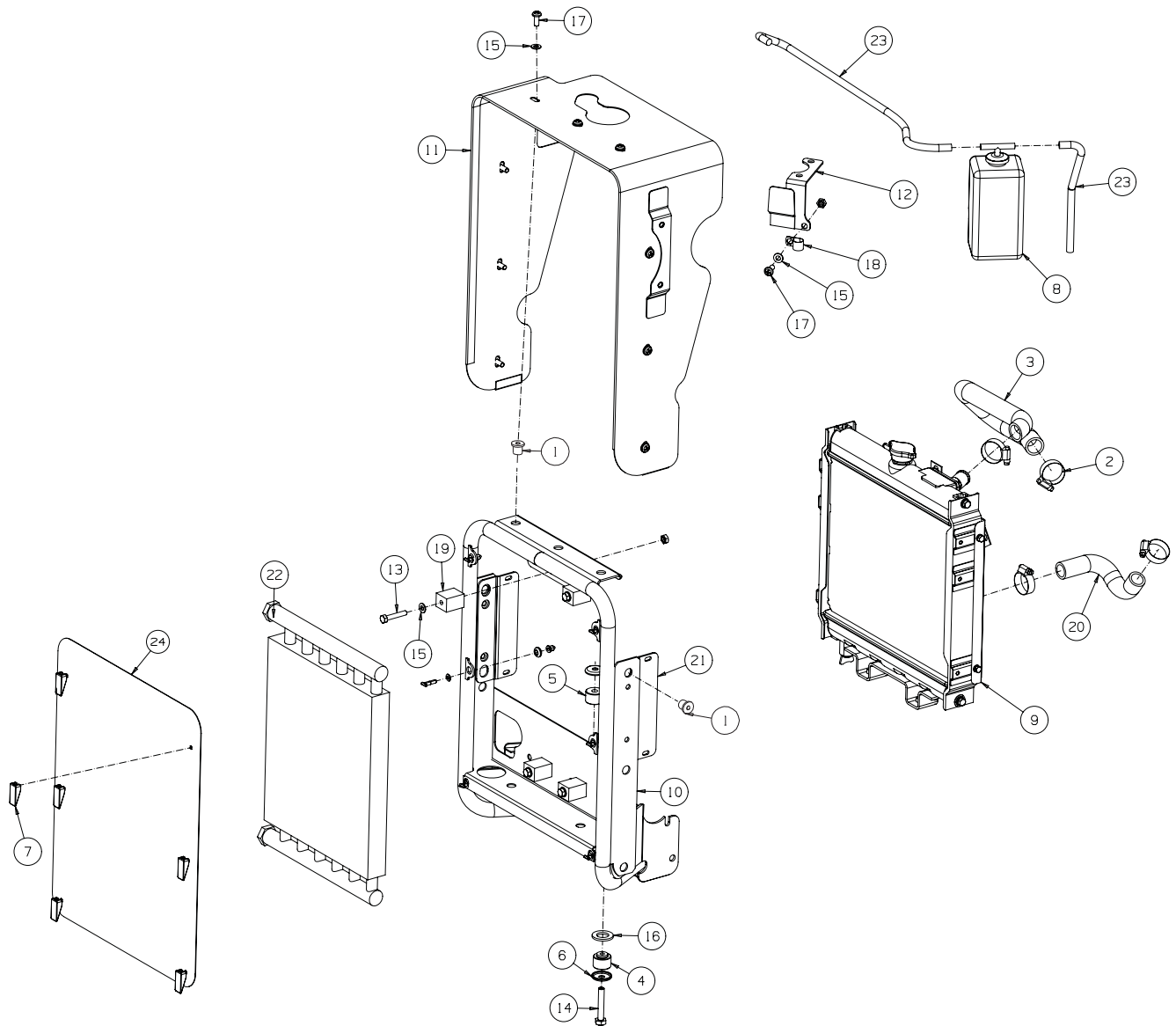
Illustration Number: 4219020



ITEM	PART NO.	DESCRIPTION	QTY.	REMARKS
1	893182	Filter AY, Air	1	
2	4123046	• Vacuator Valve	1	
3	N/A	• Filter Body	1	
4	0840352	• Air Filter	1	
5	4277671	• Filter Cap	1	
6	840346	Adaptor-Gauge	1	
7	819028	Mounting Band-5" Plastic	1	
8	4132265	Rain Cap	1	
9	4237802	Moulded-Air Intake Hose	1	
10	888036	Gauge, Restriction	1	
11	001925570	Hose Clamp, 34-57	2	
12	4132266	Sleeve	1	
13	450390	Wshr-M8 x 17 x 1.8	2	
14	450411	Lockwshr-M8 x 12.75 x 2	2	
15	450191	Scrw-Hex M8 x 20	2	

RADIATOR OIL COOLER (DIESEL)

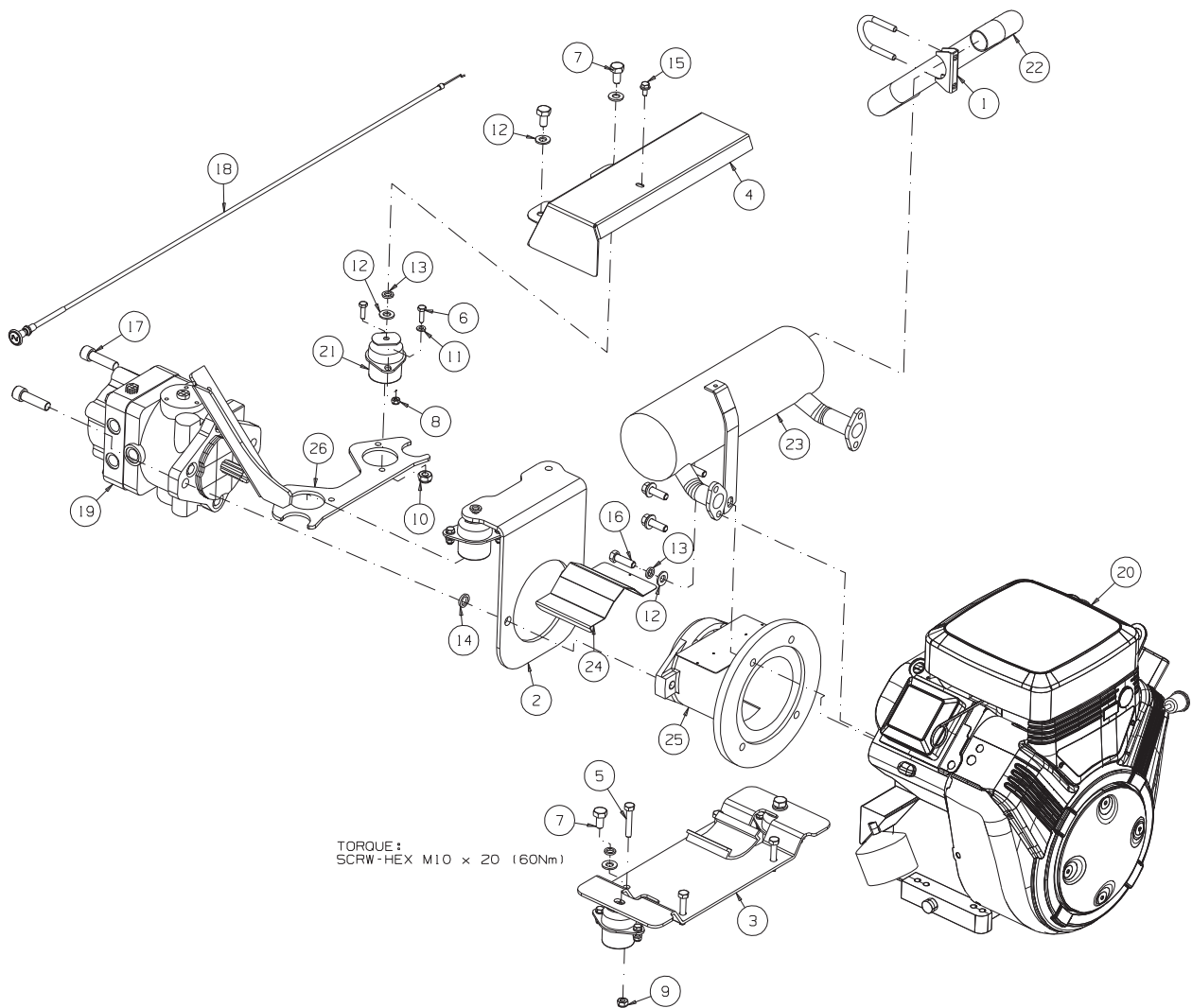
Illustration Number: 4232600



ITEM	PART NO.	DESCRIPTION	QTY.	REMARKS
1	001399240	Nut-Isolation M8	13	
2	001925400	Hose-Clamp, 19-40	4	
3	009121760	Pipe (Radiator Top)	1	
4	15111-72181	Bushing-Rubber	2	
5	15111-72191	Bushing-Rubber	2	
6	15111-72202	Washer	4	
7	2198084	Latch - Swell	6	
8	840176	Bottle, Overflow	1	
9	4144045	Radiator, Aluminium	1	
10	4232680	Wldmt - Radiator	1	
11	4233300	Wldmt- Radiator Shroud	1	
12	4236583	Wldmt- Expansion Tank Bracket	1	
13	450199	Bolt-Hex M8 x 60	4	
*	450378	M8 Nyloc	1	
14	450034	Bolt-Hex M10 x 60	2	
15	450390	Wshr-M8 x 17 x 1.8	13	
16	450394	Wshr-M20 x 37 x 3.3	2	
17	450552	Scrw-Pan HD M8 x 20	10	
18	815058	Clamp	1	
19	839501	Block,Mtg - Oil Cooler	4	
20	839953	Hose. Radiator Lower	1	
21	841160.06	Bracket - Radiator	2	
22	842916	Cooler,Oil	1	
23	835805	Hose, overflow 4' (1 .2M) . As	Req'd	
24	4246190	Panel-Bug Screen	1	
*	523930	Foam	1	For item 8
*	PF24-113	Turbine Housing Seal	2	
*	002989380	Trim Seal	0.6	
*	002989470	Foam-Closed Cell, Bulk	1.5	

ENGINE (GAS)

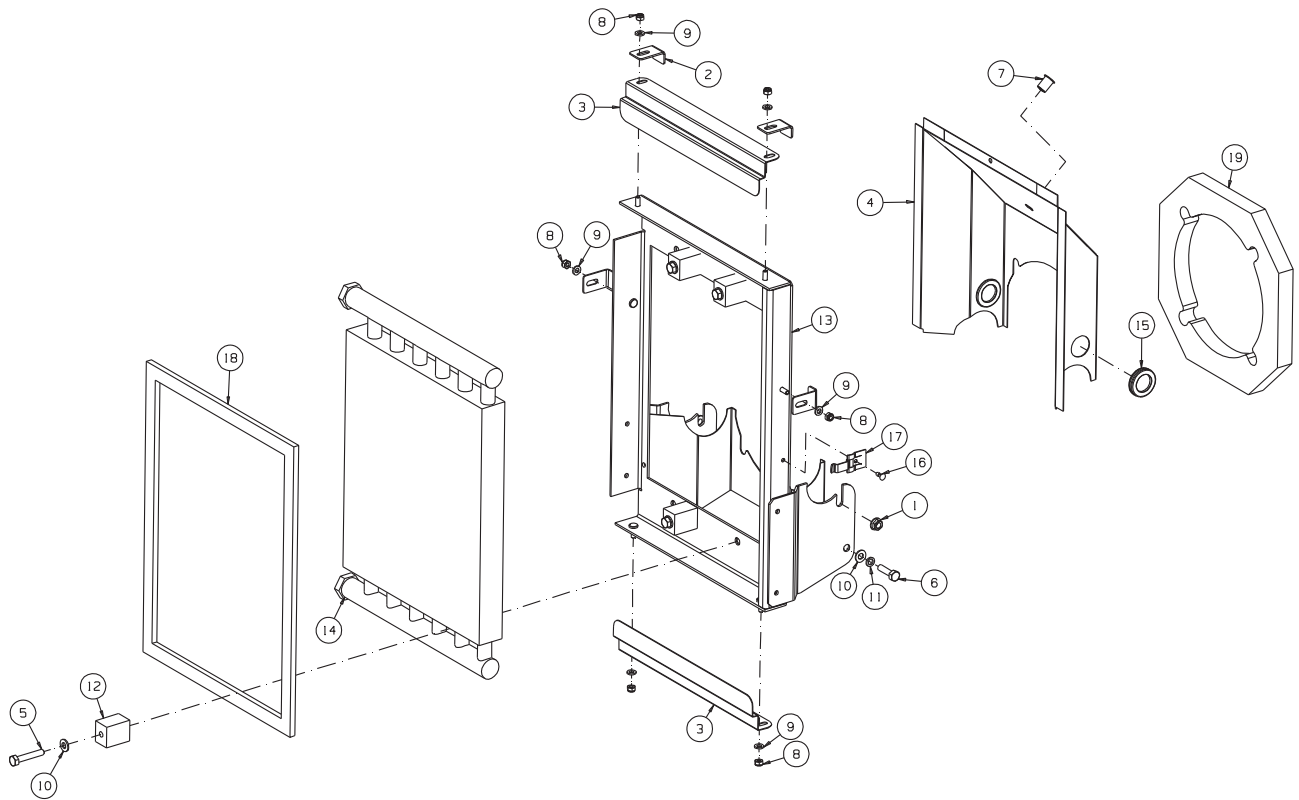
Illustration Number: 4228542



ITEM	PART NO.	DESCRIPTION	QTY.	REMARKS
1	4128424	U-Clamp, 32mm	1	
2	4228560	Bracket-Rear Engine	1	
3	4228561	Plate-Engine Mount	1	
4	4233860	Cover-Exhaust	1	
5	450017	Bolt-Hex M8 x 45	4	
6	450171	Screw-Hex M6 x 20	8	
7	450213	Screw-Hex M10 x 20	4	
8	450377	Nut-Hex M6 Nyloc	8	
9	450378	Nut-Hex M8 Nyloc	4	
10	450379	Nut-Hex M10 Nyloc	2	
11	450389	Wshr-M6 x 12.5 x 1.8	8	
12	450391	Wshr-M10 x 21 x 2.2	8	
13	450412	Lockwshr-M10 x 15.9 x 2.5	8	
14	452200168	Lockwshr-1/2 x 0.763 x 0.116	2	
15	452692	Screw-Hex M6 x 12 Taptite	1	
16	456110448	Screw-Hex 3/8-16 x 1-1/4	4	
17	800770	Capscrew-Sckt 1/2-13 x 1-3/4	2	
18	4239256	GP400 Choke Cable	1	
19	894103	Pump-Assy, Hydraulic	1	
20	4236602	Briggs & Stratton Carb	1	5702HV 18 Vangaurd
	492932S	• Oil Filter	1	
21	4228480	Mount-Engine AMC Hydro 40 Shore	4	
22	2701768.8	Tailpipe HBK	1	
23	4117098	Muffler, Exhaust	1	
24	4123676	Shield, Heat	1	
25	2702239	Housing AY, Coupler & Adapter	1	
	4197800	• Coupling 11-T Spline	1	
	4197802	• Spider	1	
	4197803	• Coupling 1.00 Inch Bore	1	
26		Chassis	1	Reference Part Only
*	4128424	Exhaust Clamp 32mm (1.25")	1	
*	4150738	Throttle Cable - Gas G-PLEX	1	

OIL COOLER, GAS

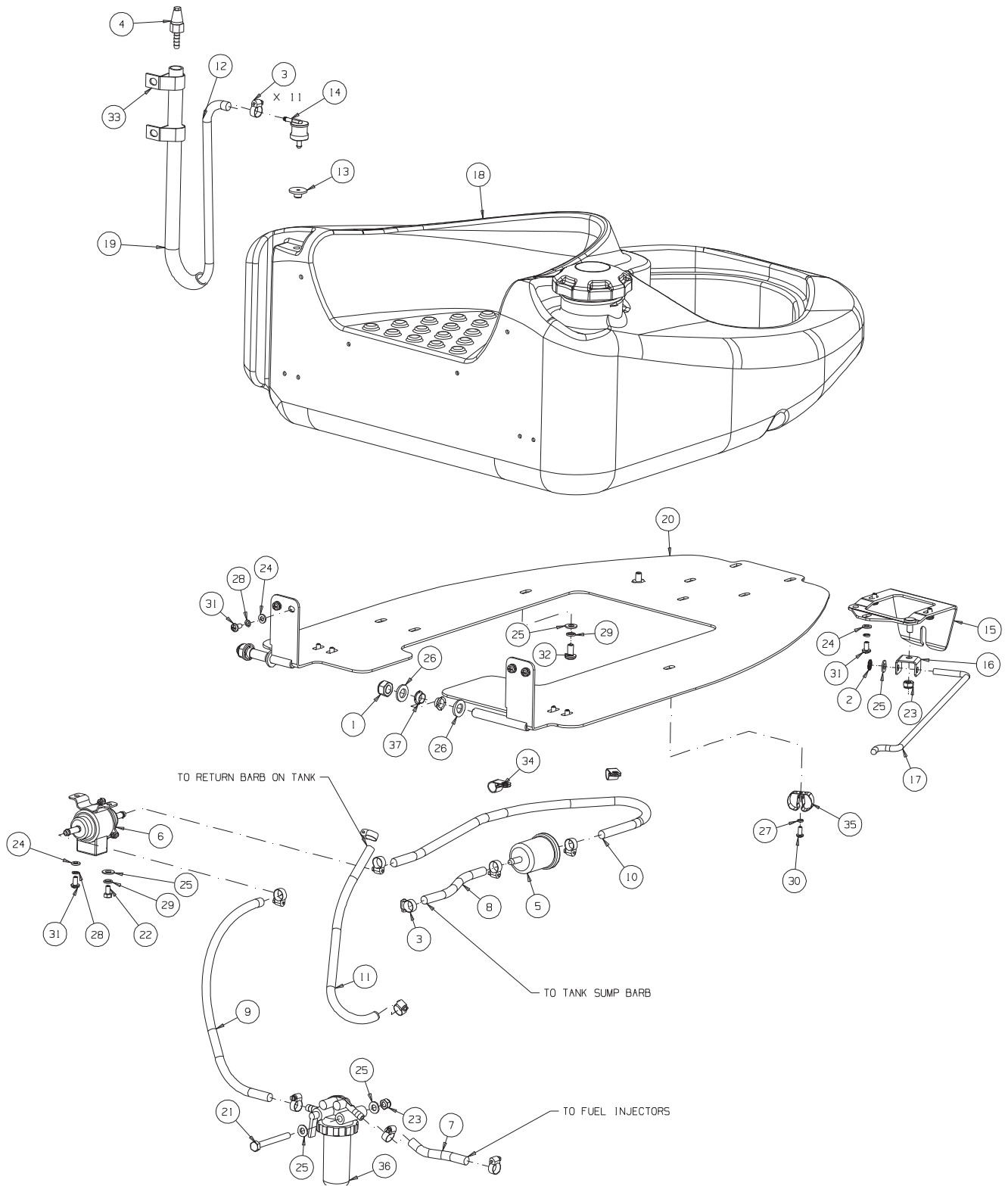
Illustration Number: 4146955



ITEM	PART NO.	DESCRIPTION	QTY.	REMARKS
1	452436	Nut-Hex M8 Flange Nyloc	2	
2	4123550	Angle Cover	4	
3	4123563	Angle, Screen	2	
4	4140585	Cover, Air Intake	1	
5	450199	Bolt-Hex M8 x 60	4	
*	450378	M8 Nyloc	1	
6	450193	Screw-Hex M8 x 30	1	
7	450369	M8 Nutsert	1	
8	450377	Nut-Hex M6 Nyloc	8	
9	450389	Wshr-M6 x 12.5 x 1.8	8	
10	450390	Wshr-M8 x 17 x 1.8	5	
11	450411	Lockwshr-M8 x 12.75 x 2	1	
12	839501	Mounting Block	4	
13	4140587	Frame AY, Cooler	1	
14	842916	Oil Cooler	1	
15	002953320	Grommet	2	
16	001496044	Rivet-Pop 4.8 X 12	1	
17	835039	Fastener-Snap	1	
18	843823	Screen, Cooler	1	
19	4142825	Seal, Cooler	1	
*	002989380	Trim Seal	0.8	(For Item 14)
*	001925400	Hose-Clamp, 19-40	6	
*	469021633	Hose Clip Large	3	
*	PF24-113	Turbine Housing Seal	2	

FUEL SYSTEM (DIESEL)

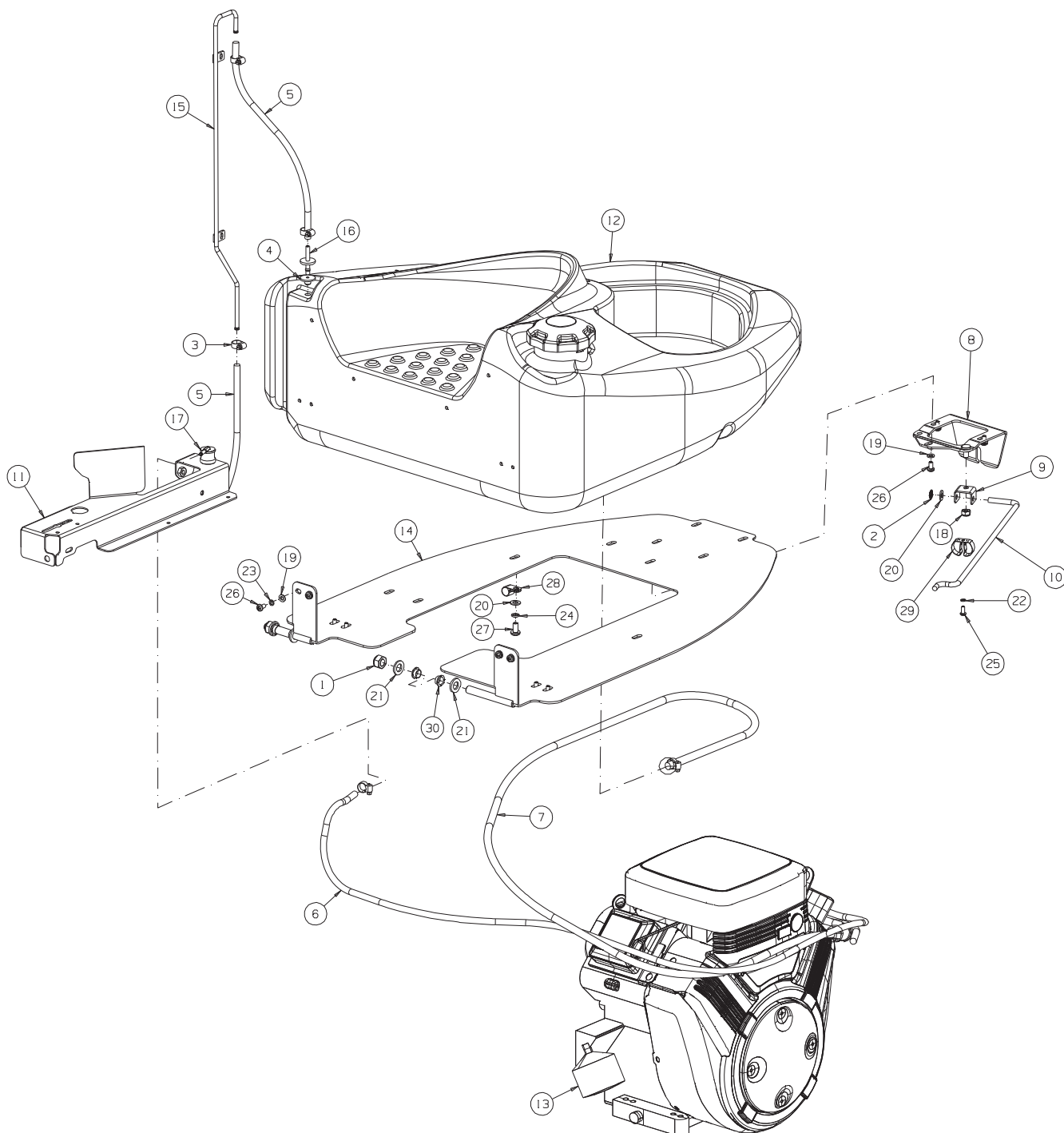
Illustration Number: 4219000



ITEM	PART NO.	DESCRIPTION	QTY.	REMARKS
1	001399032	Nut-Hex 1/2-20 Nyloc	2	
2	001399171	Star Ring, 8 mm	1	
3	001925160	Hose Clamp, 6-16	11	
4	002497040	Breather	1	
5	12581-43012	In Line Fuel Filter	1	
6	4126806	Electric Fuel Pump	1	
7	4150179	Fuel Hose (8mm)	100mm	
8	4150179	Fuel Hose (8mm)	200mm	
9	4150179	Fuel Hose (8mm)	680mm	
10	4150179	Fuel Hose (8mm)	800mm	
11	4150180	Fuel Hose (6mm)	520mm	
12	4150180	Fuel Hose (6mm)	720mm	
13	4168131	Grommet, .402 OD X .205 ID	1	
14	4246810	Valve, Rollover	1	
15	4219180	Wldmt-Support Rear Tank Fixing	1	
16	4219200	Bracket-Stay Tank	1	
17	4219220	Stay-Tank	1	
18	4229020	Fuel Tank Assembly	1	
19	4238022	Snorkel-Diesel Breather	1	
20	4244183	Wldmt-Tank Plate	1	
21	450022	Bolt-Hex M8 x 70	1	
22	450168	Scrw-Hex M6 x 12	1	
23	450378	Nut-Hex M8 Nyloc	2	
24	450389	Wshr-M6 x 12.5 x 1.8	12	
25	450390	Wshr-M8 x 17 x 1.8	7	
26	450392	Wshr-M12 x 24 x 2.7	4	
27	450409	Lock Washer-M5 x 8.55 x 1.5	1	
28	450410	Lock Washer-M6 x 9.6 x 1.5	12	
29	450411	Lock Washer- M8 x 12.75 x 2	3	
30	450526	Scrw-Pan HD M5 x 12	1	
31	450539	Scrw-Pan HD M6 x 12	12	
32	450551	Scrw-Pan HD M8 x 16	2	
33	469016509	P-Clip	1	
34	469016517	P-Clip	2	
35	838225	Spring Clip	1	
36	892488	Filter Assembly, Fuel	1	
*	550489	• Element	1	
37	J366877	Nyliner Bearing	4	

FUEL SYSTEM GASOLINE - NONE EPA AND CARB COMPLIANT

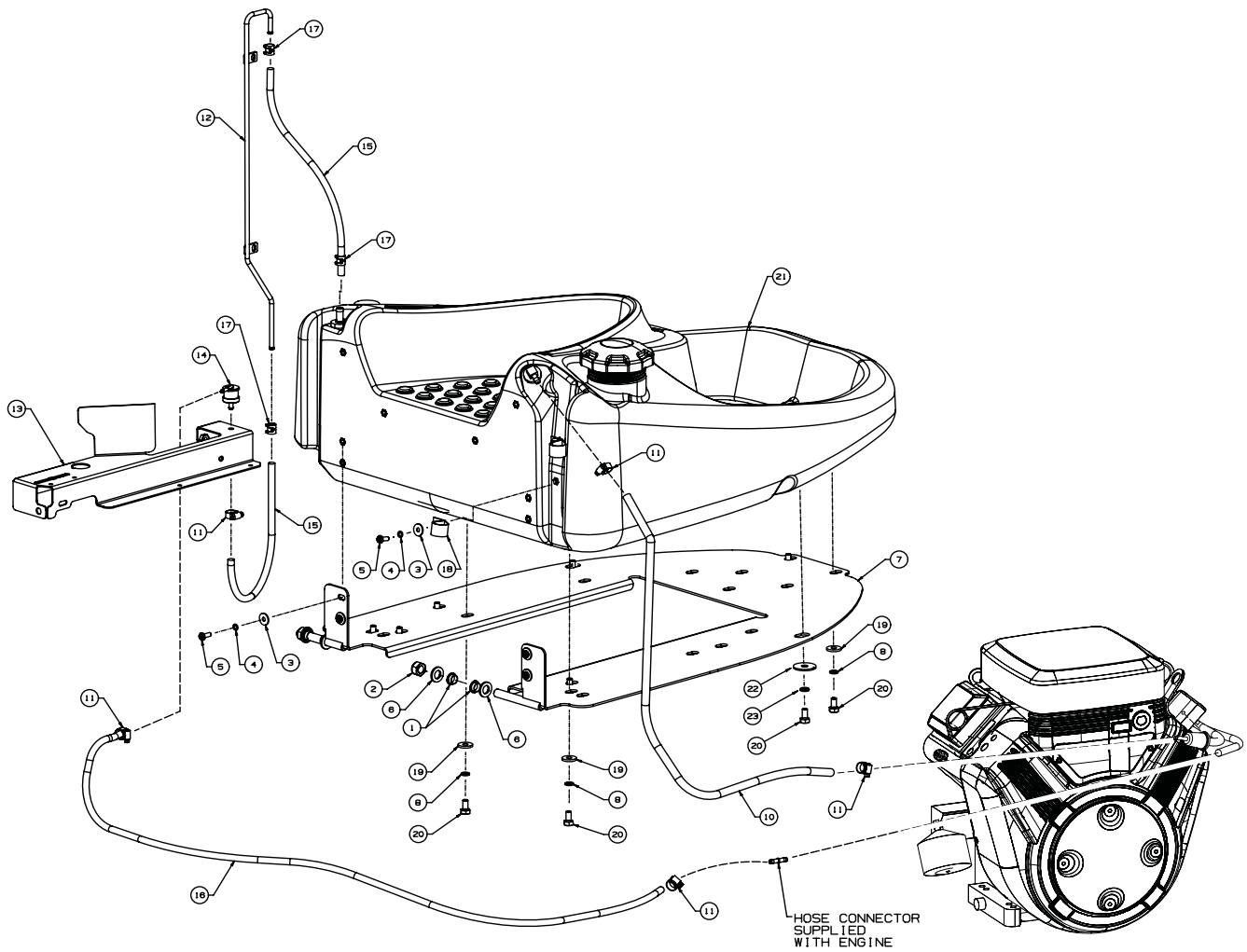
Illustration Number: 4229101



ITEM	PART NO.	DESCRIPTION	QTY.	REMARKS
1	001399032	Nut-Hex 1/2-20 Nyloc	2	
2	001399171	Star Ring, 8 mm	1	
3	001925160	Hose Clamp 6-16	7	
4	4168131	Grommet, .402 OD X .205 ID	1	
5	4199280	Fuel Hose (6mm)	0.37M	
6	4199280	Fuel Hose (6mm)	1.30M	
7	4199281	Fuel Hose (8mm)	1.15M	
8	4219180	Wldmt-Rear Tank Fixing	1	
9	4219200	Bracket-Stay Tank	1	
10	4219220	Stay Tank	1	
11	4220480	Wldmt-Control Panel	1	
12	4229100	Assy-Fuel Tank (Gas)	1	
13	4236602	Briggs and Stratton Carb Engine	1	
14	4244183	Wldmt-Tank Plate	1	
15	4245650	Wldmt-Swanneck	1	
16	4265550	Tank-Vent	1	
17	4246810	Rollover Valve	1	
18	450378	Nut-Hex M8 Nyloc	1	
19	450389	Washer-M6 x 12.5 x 1.8	11	
20	450390	Washer-M8 x 17 x 1.8	3	
21	450392	Washer-M12 x 24 x 2.7	4	
22	450409	Lock Washer-M5 x 8.55 x 1.5	1	
23	450410	Lock Washer-M6 x 9.6 x 1.5	11	
24	450411	Lock Washer-M8 x 12.75 x 2	1	
25	450526	Screw-Pan Hd M5 x 12	1	
26	450539	Screw-Pan Hd M6 x 12	11	
27	450551	Screw-Pan Hd M8 x 16	1	
28	469016517	P-Clip	1	
29	838225	Spring Clip	1	
30	J366877	Nyliner Bearing	4	

FUEL SYSTEM GASOLINE - EPA AND CARB COMPLIANT

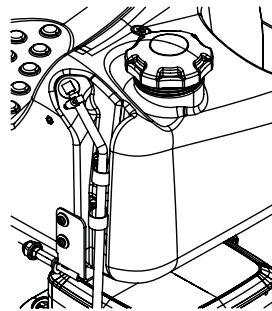
Illustration Number: 4291371_fuel_tank_EPA-CARB_2013



IMPORTANT NOTE (CC)

M8 MOUNTING SCREWS TORQUE VALUE 14Nm ±1Nm

DO NOT USE POWER TOOLS ON MOUNTING SCREWS

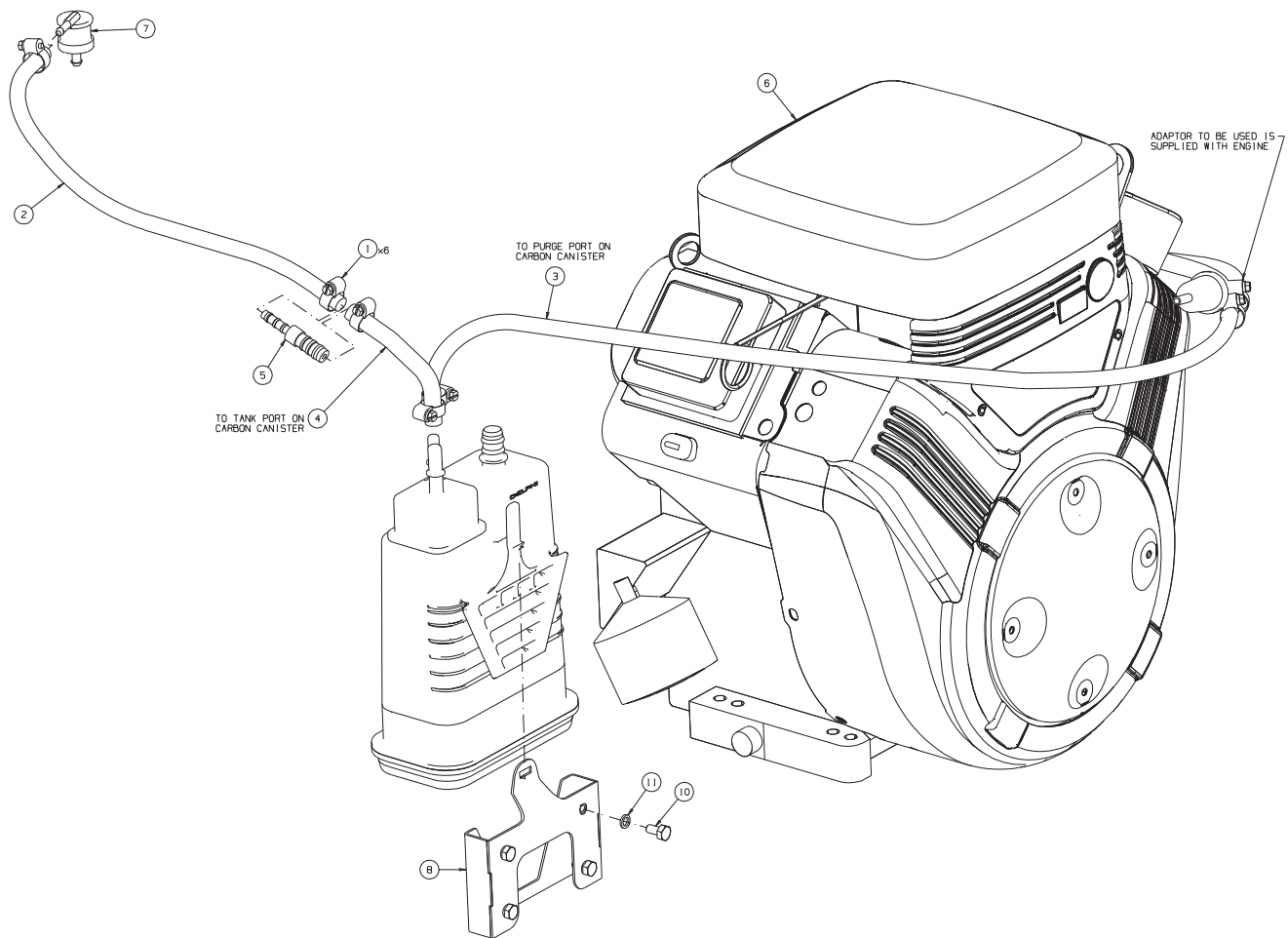


ABOVE VIEW TO SHOW FUEL PICK UP LINE (ITEM 10) FITTED TO TANK (ITEM 21)

ITEM	PART NO.	DESCRIPTION	QTY.	REMARKS
1	J366877	Nyliner Bearing	4	
2	001399032	Nut - Hex 1/2 - 20 Nyloc	2	
3	452000237	Washer - 1/4 X 3/4 X .064	6	
4	450410	Lock Washer - M6 X 9.6 X 1.5	6	
5	450541	Screw - Pan Hd M6 - 1.0 X 16	6	
6	450392	Washer - M12 X 24 X 2.7	4	
7	4291331	Weldment - Tank Plate	1	
8	450411	Lock washer - M8 X 12.75 X 2	8	
10	4166085	Fuel Line (8mm)	1	
11	4283232	Jubilee Hose Clamp, 9.5 - 12mm	5	
12	4245650	Weldment - Swan neck	1	
13	4220480	Weldment - Control Panel	1	
14	4246810	Valve, Rollover	1	
15	4150180	Fuel Line (6mm)	2	
16	4150180	Fuel Line (6mm)	1	
17	4247950	Clip - Fuel Hose	3	
18	469016509	P - Clip	2	
19	009072070	Washer - M8 X 22 X 3	8	
20	450190	Screw - Hex M8 - 1.25 X 16	10	
21	4282951	Tank, fuel EPA / CARB Compliant	1	
22	001599246	Washer 25/64	2	
23	4258312	AV Washer 8.7 x 13.5 x 2.5	2	

CARBON CANISTER

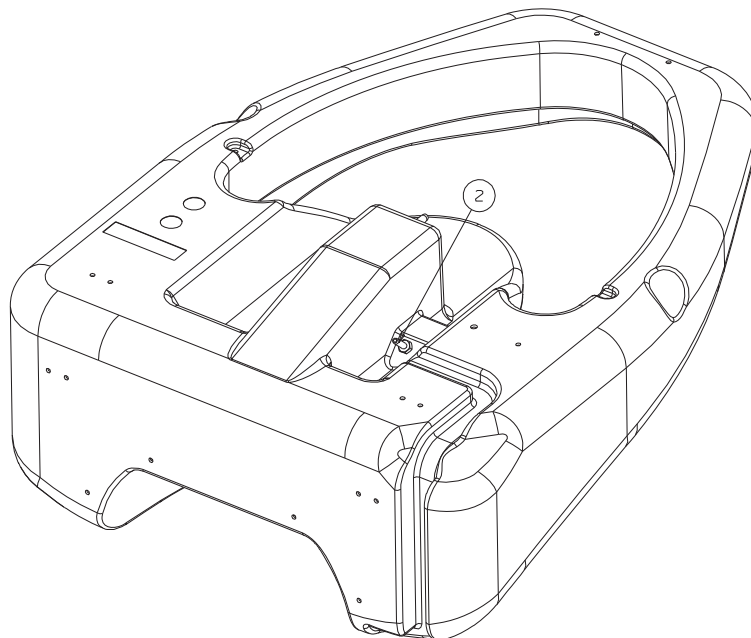
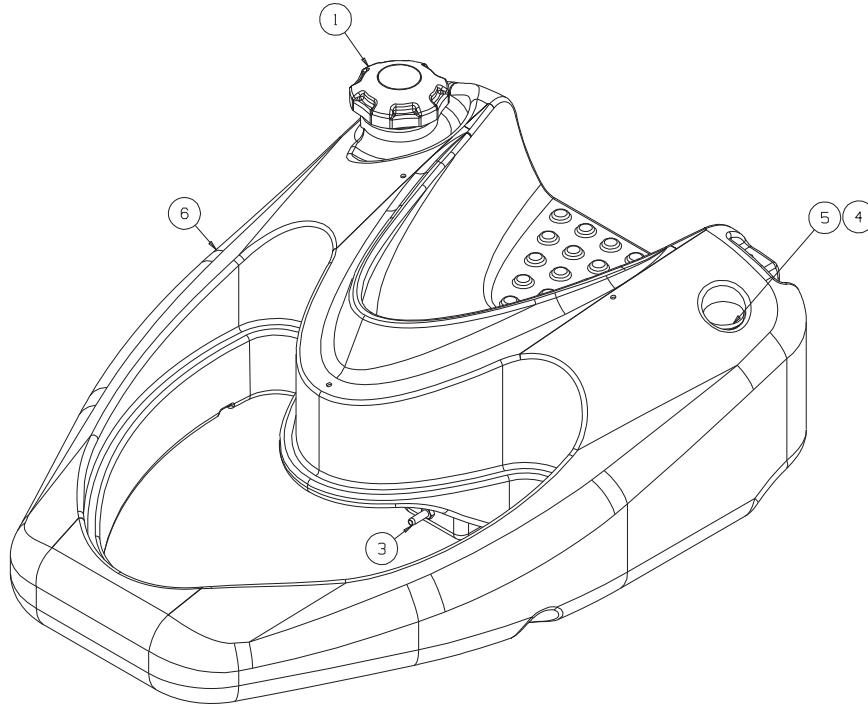
Illustration Number: 4222443



ITEM	PART NO.	DESCRIPTION	QTY.	REMARKS
1	001925160	Hose Clamp, 6-16	7	
2	4150180	Fuel Line (6mm)	0.78M	
3	4150180	Fuel Line (6mm)	0.8M	
4	4246911	Fuel Line (10mm)	0.1M	
5	4246912	Fuel Line Adaptor	1	
6	4236602	Briggs and Stratton Carb Engine	1	
7	4246810	Valve, Rollover	1	
8	4247032	Wldmt-Carbon Canister	1	
9	4246910	Delphi-Carbon Canister	1	
10	450168	Screw-Hex M6 x 12	4	
11	450410	Lockwsher-M6 x 9.6 x 1.5	4	

FUEL TANK DIESEL

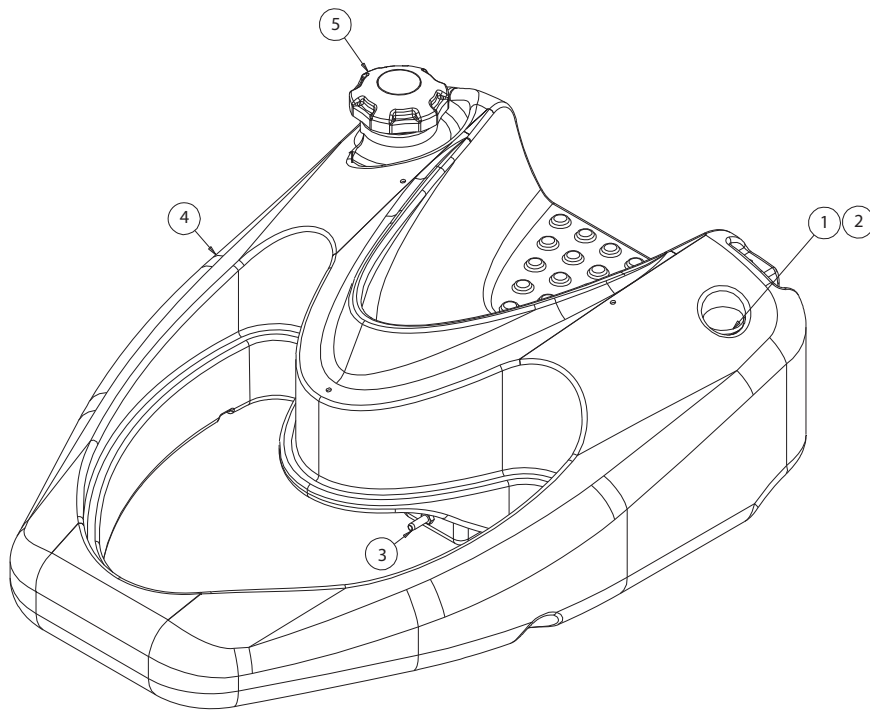
Illustration Number: 4229020



ITEM	PART NO.	DESCRIPTION	QTY.	REMARKS
1	4229120	Kelch - Non Vented Fuel Cap	1	
2	4219901	Fitting - Barb STR, 5/16" Fuel Hose	1	
3	4219900	Fitting - Barb STR, 1/4" Fuel Hose	1	
4	2218147	Grommet - Gauge	1	
5	4248170	Gauge - Fuel Level	1	
6	4222224	Tank	1	

FUEL TANK GASOLINE - NONE EPA AND CARB COMPLIANT

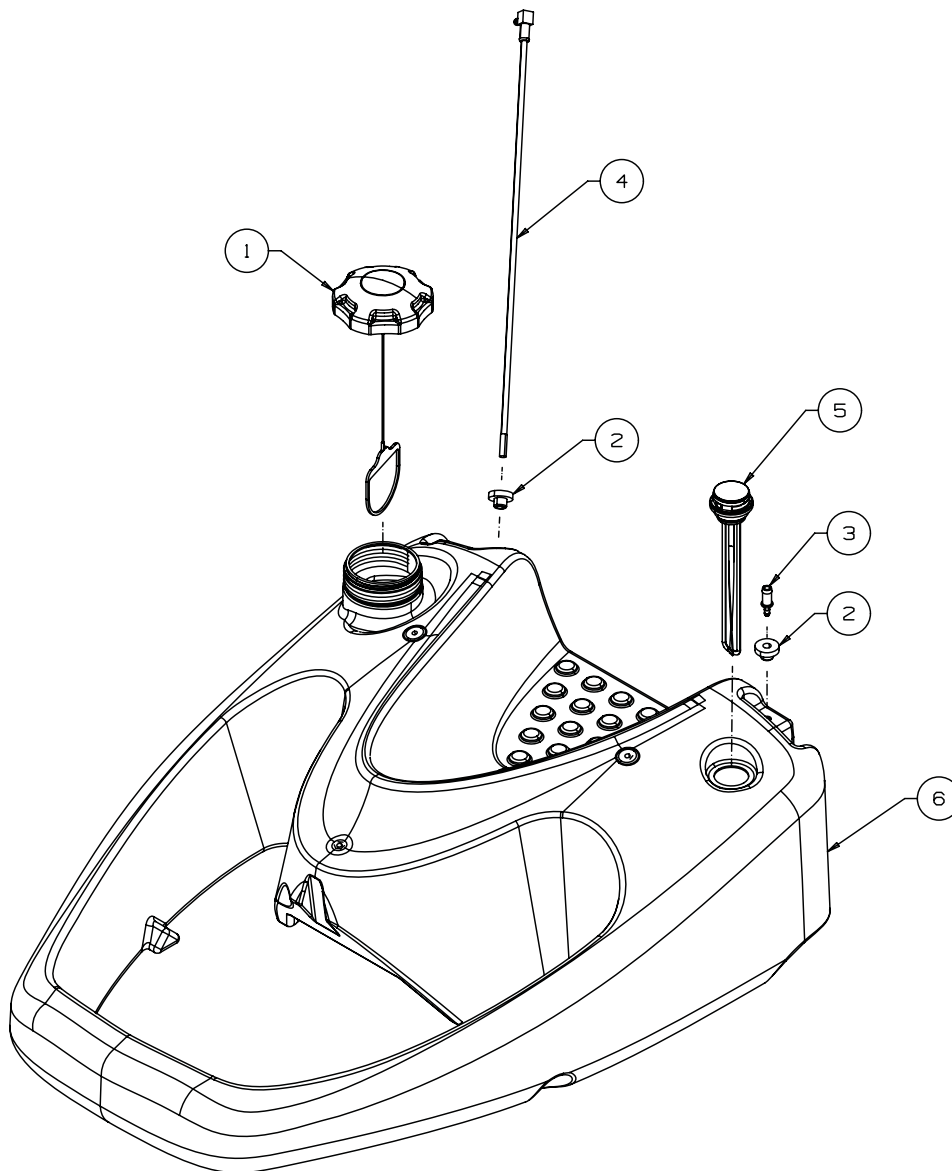
Illustration Number: 4229100



ITEM	PART NO.	DESCRIPTION	QTY.	REMARKS
1	2218147	Grommet - Gauge	1	
2	4248170	Gauge - Fuel Level	1	
3	4219900	Fitting - Barb STR, 1/4" Fuel Hose	1	
4	4222223	Tank	1	
5	4229120	Kelch - Non Vented Fuel Cap	1	

FUEL TANK GASOLINE - EPA AND CARB COMPLIANT

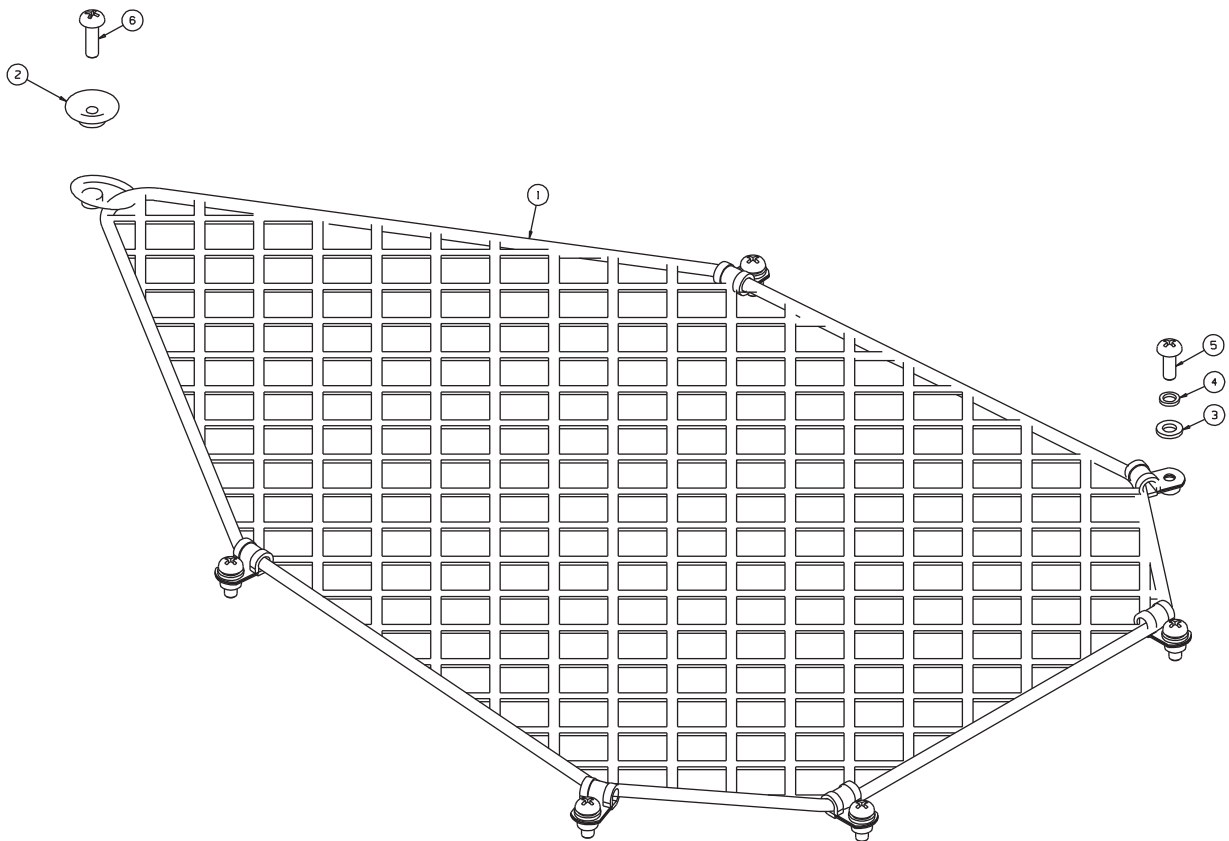
Illustration Number: 4282951



ITEM	PART NO.	DESCRIPTION	QTY.	REMARKS
1	4287174	Kelch Cap	1	
2	4291015	Grommet, Pick Up Tube	2	
3	4291031	Barb, Hose Ftg 1/4 Straight	1	
4	4291014	Tube, Fuel Pick Up	1	
5	4291012	Gauge, Fuel Level	1	
6	4282952	Tank - Fuel EPA/CARB Comp	1	

CARGO NET ASSEMBLY

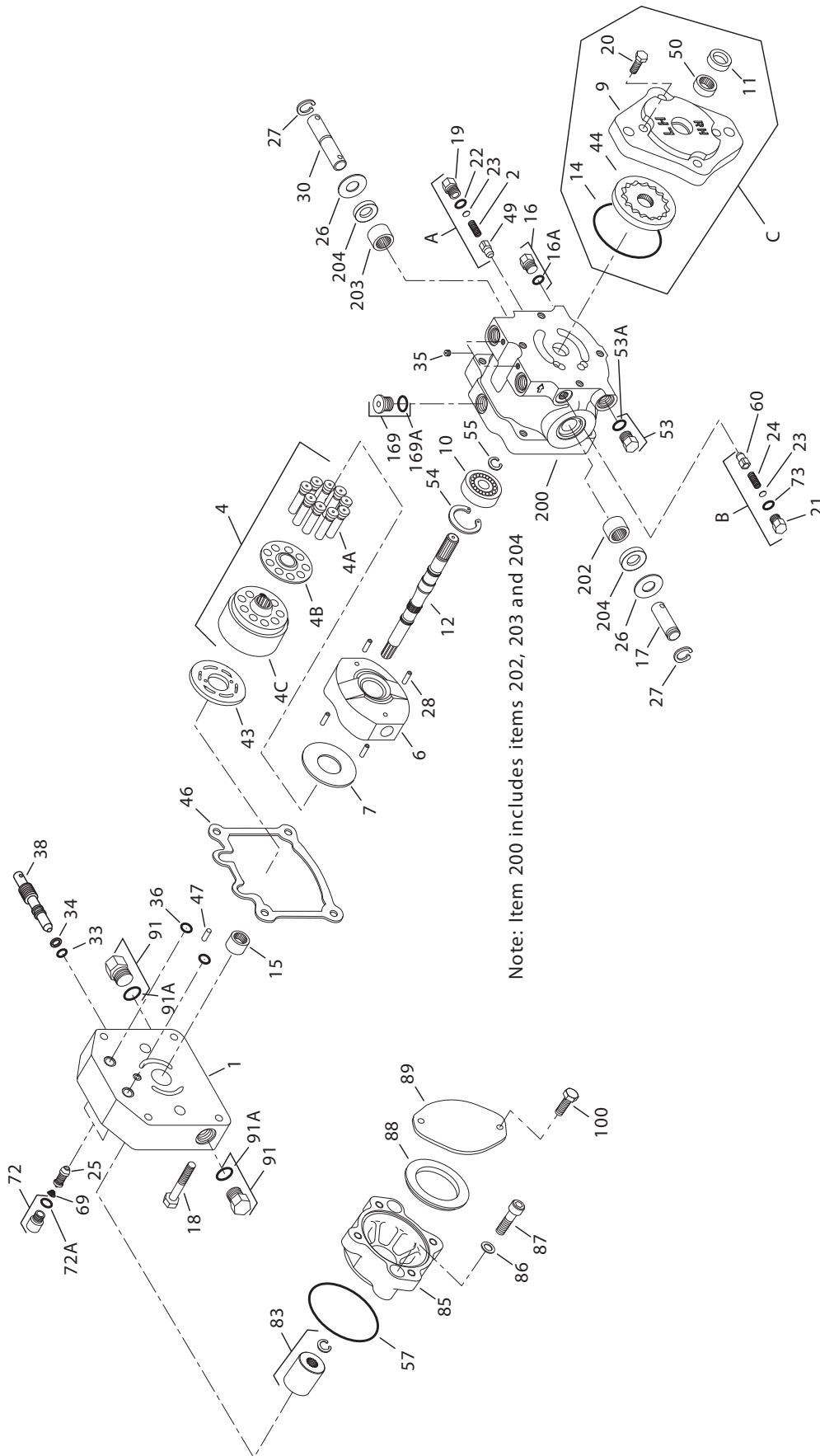
Illustration Number: 4239247



ITEM	PART NO.	DESCRIPTION	QTY.	REMARKS
1	4239247	Cargo Net Assembly	1	
	4239246	• Cargo Net	1	Not available as a spare
	4239248	• Cargo Net Clips	6	Not available as a spare
2	4249850	Cargo net access retainer clip	1	
3	450389	WSHR-M6 x 12.5 x 1.8	6	
4	450410	Lock Washer-M6 x 9.6 x 1.5	6	
5	450541	Scrw-pan HD M6 x 16	6	
6	450542	Scrw-pan HD M6 x 20	1	

TRANSMISSION PUMP

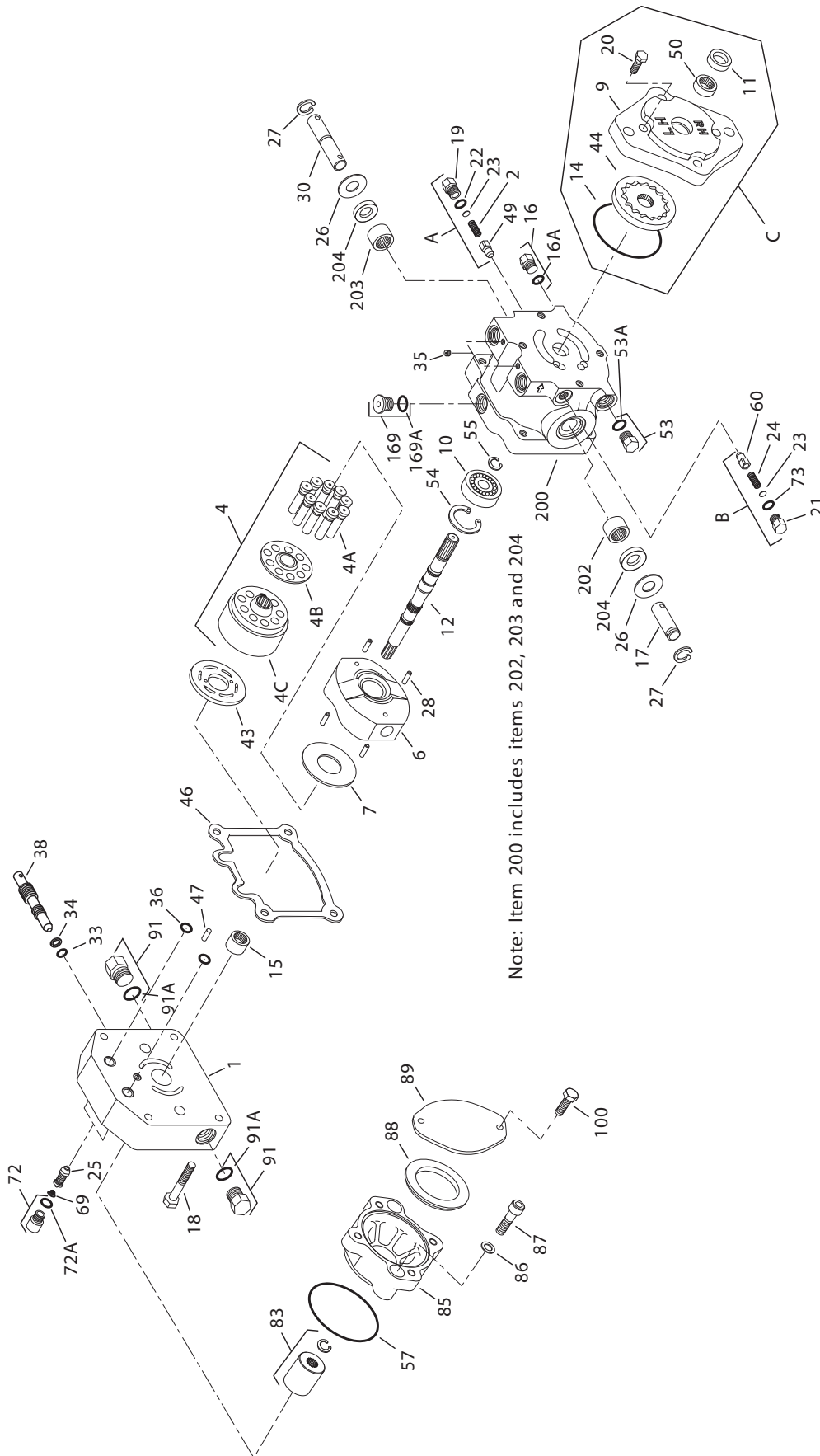
Illustration Number: 894103



ITEM	PART NO.	DESCRIPTION	QTY.	REMARKS
	894103	Transmissiom Pump	1	series 15-2323
1		End cap	3	
4		Cylinder block kit	1	
4A		Piston assembly	9	
4B		Slipper retainer	1	
4C		Cylinder block	1	
6		Swashplate	1	
7		Thrust plate	1	
10		Ball bearing	1	
12		Shaft	1	
15		Roller bearing	1	
16		Plug	1	
16A		O-ring	1	
17		Trunnion control shaft	1	
18		Screw	4	
25		Check valve poppet	2	
26		Washer	2	
27		Retaining ring	2	
28		Spring coiled pin	4	
30		Trunnion shaft	1	
33		O-ring	1	
34		Back up ring	1	
35		Pipe plug	2	
36		O-ring	2	
38		Bypass valve	1	
43		Valve plate	1	
46		Gasket	1	
47		Pin	1	
53		Plug	1	
53A		O-ring	1	
54		Retaining ring	1	
55		Retaining ring	1	
57		O-ring	2	
58		Adapter flange	1	
69		Spring	2	
72		Plug assembly	2	
72A		O-ring	2	
83		Coupling	1	
86		Washer	2	
87		Screw	2	
88		pad seal	1	
89		Cover plate	1	
91		Plug	1	
91A		O-ring	1	
100		Screw	2	
169		Plug	1	
169A		O-ring	1	

TRANSMISSION PUMP

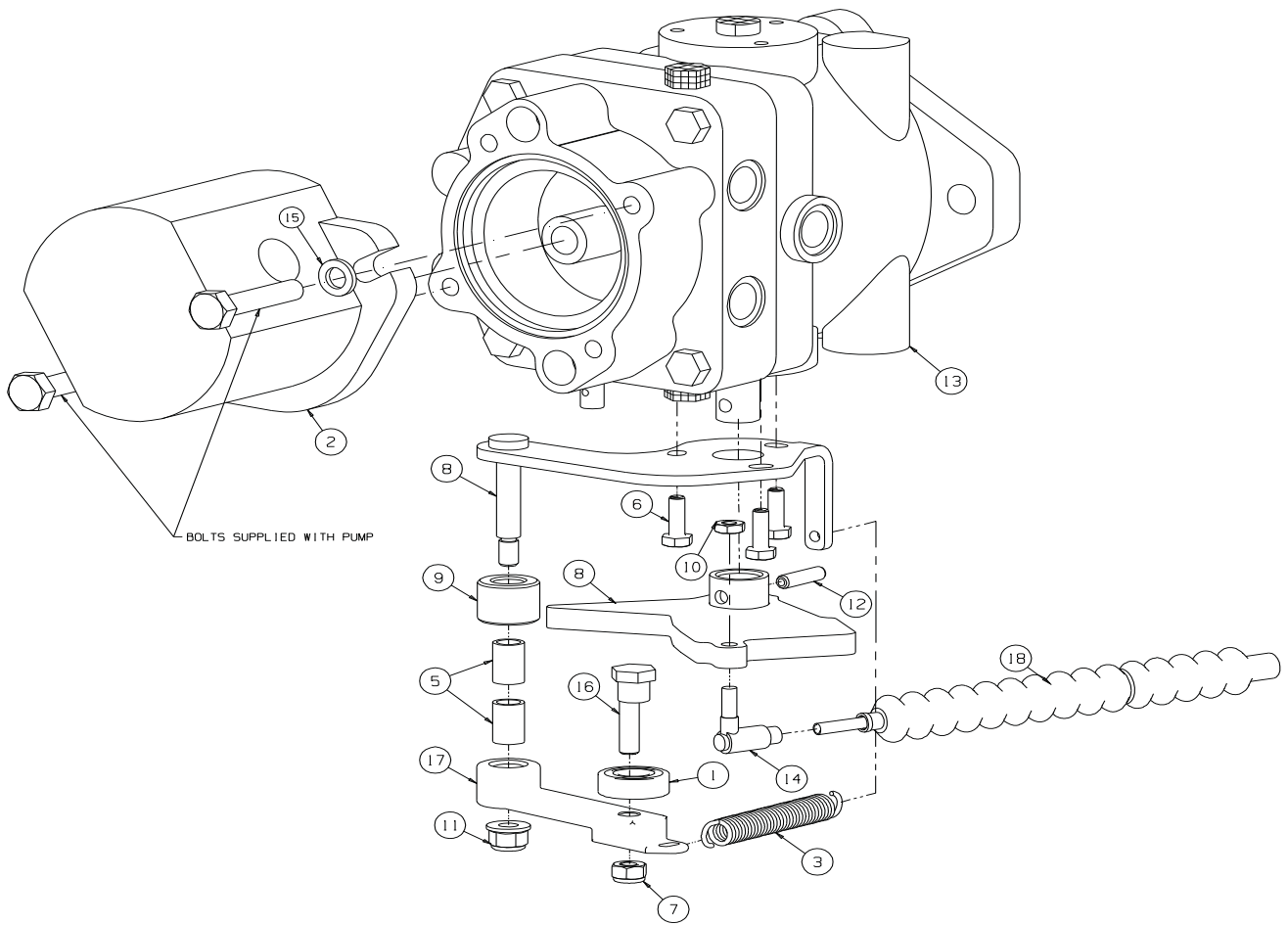
Illustration Number: 894103



ITEM	PART NO.	DESCRIPTION	QTY.	REMARKS
200		Housing assembly	1	
202		Needle bearing	1	
203		Needle bearing	1	
204		Lip seal	2	
A		Implement relief kit	1	
2		• Implement relief spring	1	
19		• Plug	1	
22		• O ring	1	
23		• Shim kit	1	
49		• Charge relief cone	1	
B		Charge relief kit	1	
21		• Plug	1	
24		• Charge relief spring	1	
60		• Charge relief cone	1	
73		• O ring	1	
76		• Shim kit	1	
C		Charge pump kit	1	
9		• Charge pump housing	1	
11		• Lip seal	1	
14		• O-ring	1	
20		• Screw	4	
44		• Gerotor assembly	1	
50		• Needle bearing	1	

TRANSMISSION PUMP CONTROL

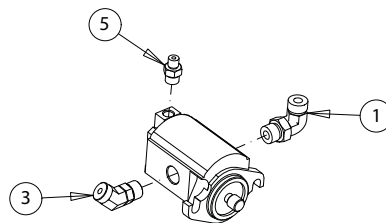
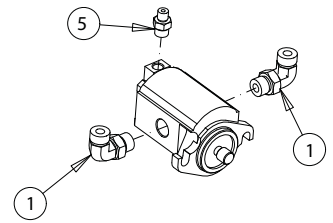
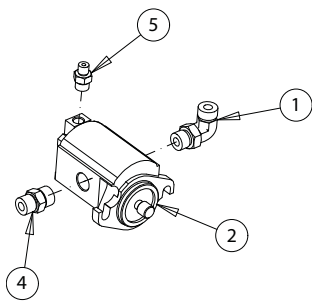
Illustration Number: 4146094



ITEM	PART NO.	DESCRIPTION	QTY.	REMARKS
1	344545	Brg-Ball 1/2" x 1-1/8" x 3/8"	1	
2	2701711	Pump, Hydraulic (Cyl)	1	
3	3000693	Spring Extension	1	
4	4143627	Wldmt-Neutral Control	1	
5	361108	Bushing	2	
6	408851	Scrw-Hex 1/4 x 3/4	3	
7	001393222	Nut-Hex 5/16-18 Staytite	1	
8	4143669	Wldmt-Pump Neutral	1	
9	4144586	Bushing, Flange	1	
10	001399082	Nut-Hex 1/4-28 Nyloc	1	
11	452436	Nut-Hex M8 Fing Nyloc	1	
12	461387	Pin-Roll 1/4" x 1"	1	
13	894103	Pump Assy, Hydraulic	1	
14	4159640	Rod End	1	
15	452200134	Lockwshr-3/8" x 0.063 x 0.094	2	
16	3009733	Eccentric Bolt	1	
17	3009734	Roller Arm	1	
18	4239242	Control Cable	1	

CUTTING MOTORS

Illustration Number: 4221480-1

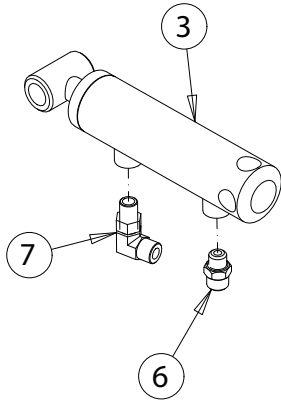


ITEM	PART NO.	DESCRIPTION	QTY.	REMARKS
1	W158007-02	90-m/m 13/16 ORS X 3/4 SAE	4	
2	2701710	Motor, Hydraulic Reel Drive	3	
*	2702706	• Service Kit	1	
3	158059-03	45-m/m 11/16 ORFS X 9/16 SAE	1	
4	158006-05	Fitting-13/16 ORFS X 3/4 SAE	1	
5	002515000	Fitting-9/16 ORS X 7/16 SAE	3	
*	4310053	Rear Plate Screw Hex	4	

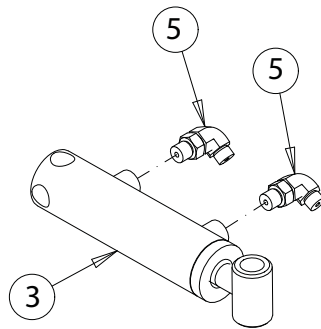
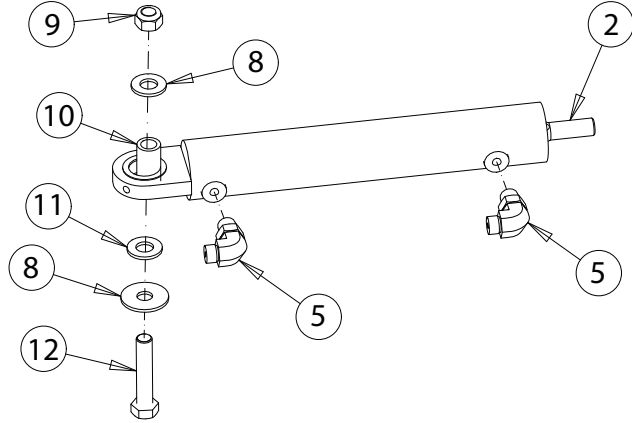
LIFT STEER RAMS

Illustration Number: 4221480_2

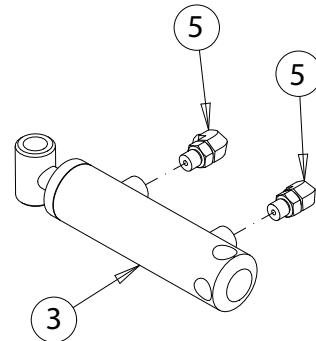
REAR LIFT CYLINDER



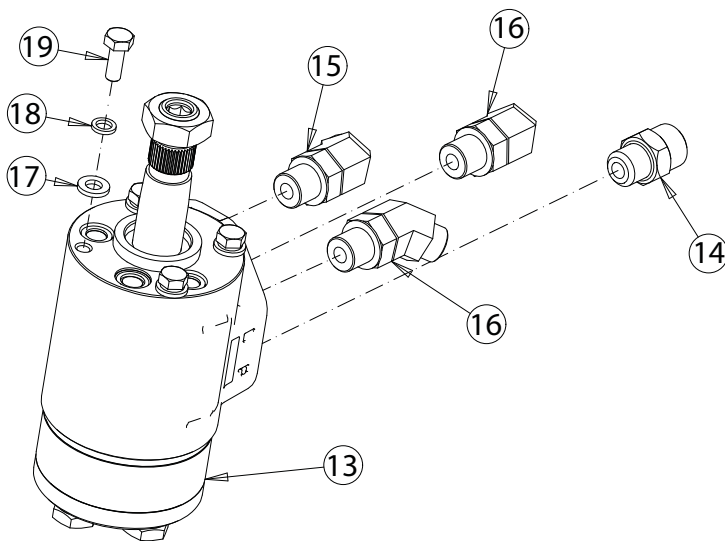
STEERING RAM



LEFT AND RIGHT FRONT LIFT CYLINDER



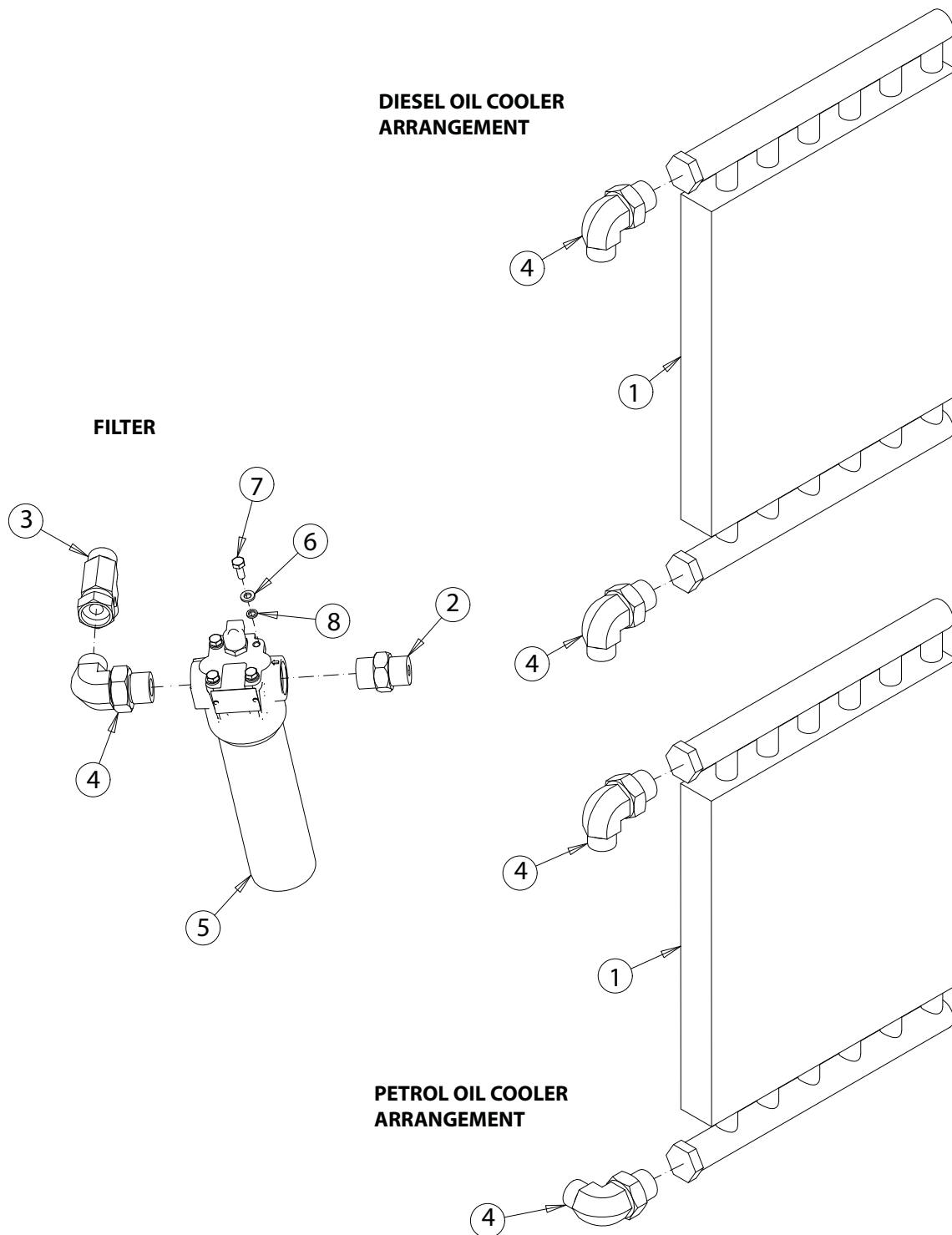
STEER VALVE



ITEM	PART NO.	DESCRIPTION	QTY.	REMARKS
2	4244283	Steering Cylinder Rod	1	
*	4288991	Seal Kit for 4244283		
3	4183641	Ram-hydraulic	3	
5	002525010	90-m/m 9/16 ORS X 9/16 SAE	6	
6	158006-01	Fitting-m/m 11/16 ORS X 9/16 SAE	1	
7	158007-01	90-m/m 11/16 ORS X 9/16 SAE	1	
8	452101285	Washer-1/2 X 1-1/8 X .104	2	
9	001399032	Nut-hex 1/2-20 Nyloc	1	
10	831877	Bushing- .51" X .7485/.7480" X 1.438"	1	
11	800800	Washer-1/2 X 1.1/2 X 2.5mm	1	
12	451030667	Bolt-hex 1/2-20 X 2-1/2	1	
13	4239255	Steering Unit	1	
14	158006-01	Fitting-m/m 11/16 ORS X 9/16 SAE	1	
15	W158059-04	45-m/m 11/16 ORFS X 9/16 SAE	1	
16	839846	45-m/m 9/16 ORFS X 9/16 SAE	2	
17	450389	Washer-M6 X 12.5 X 1.8	4	
18	450410	Lock Washer-M6 X 9.6 X 1.5	4	
19	450170	Screw-hex M6 X 16	4	

FILTER & COOLER

Illustration Number: 4221480 - 3

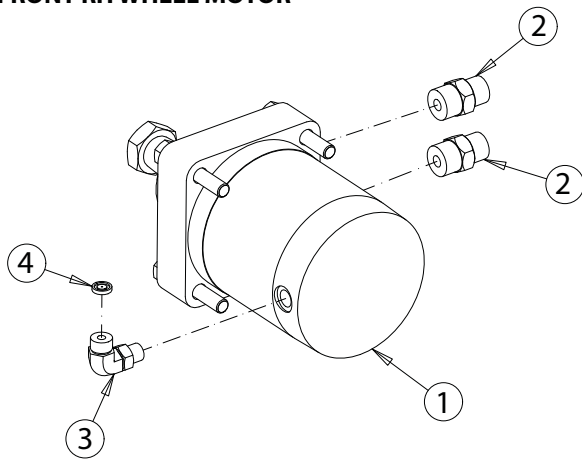


ITEM	PART NO.	DESCRIPTION	QTY.	REMARKS
1	842916	Cooler, Oil	1	
2	158006-11	Fitting-m/m 1 ORS X 1-1/16 SAE	1	
3	158010-02	Tee-m/f/m 1 ORS	1	
4	158007-06	90-m/m 1 ORS X 1-1/16 SAE	3	
5	4252570	Filter-hyd, (Argo) 7 Bar	1	
*	4199061	• Element 10 mm Absolute	1	
6	450389	Washer-m6 X 12.5 X 1.8	4	
7	450410	Lock Washer-M6 X 9.6 X 1.5	4	
8	450170	Screw-hex M6 X 16	4	

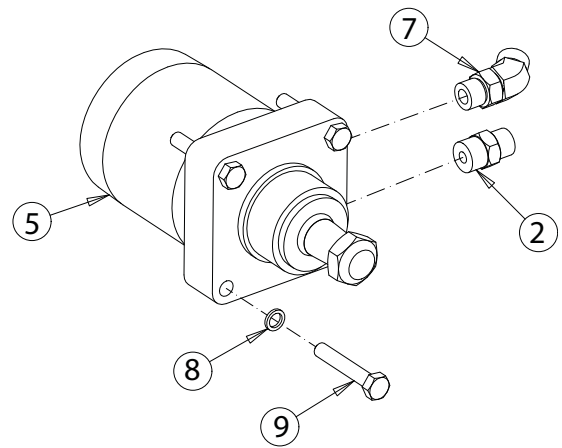
FRONT MOTORS

Illustration Number: 4221480 - 4

FRONT RH WHEEL MOTOR



FRONT LH WHEEL MOTOR

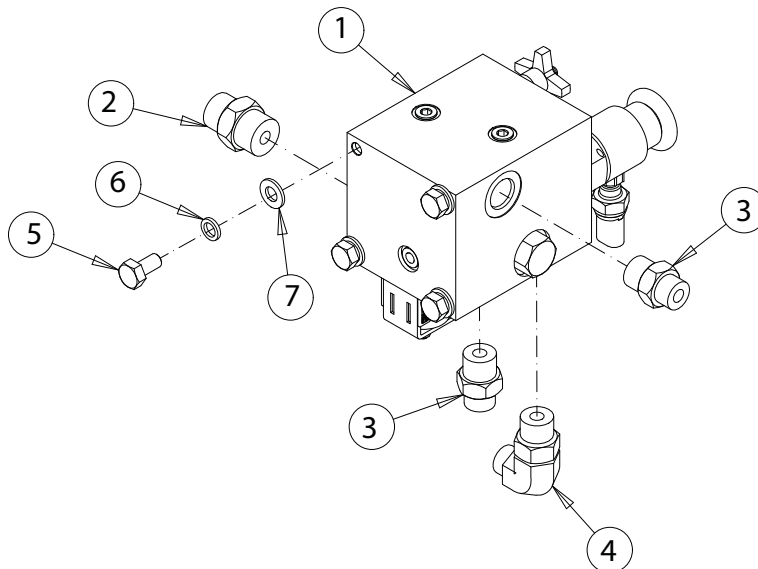


ITEM	PART NO.	DESCRIPTION	QTY.	REMARKS
1	4115024	Front Right Wheel Motor	1	
*	891910	Service Kit	1	
*	800777	Key	1	
*	800778	Nut	1	
2	158006-07	Fitting - ORB/ ORS	3	
3	158007-01	Fitting - 90 ORS/orb	1	
4	69068-01	Orifice Disk 0.052"	1	
5	892381	Front Left Wheel Motor	1	
*	891910	Service Kit	1	
*	800777	Key	1	
*	800778	Nut	1	
7	002535010	45-m/m 1 ORS X 7/8 SAE	1	
8	450413	Lock Washer-M12 X 17.9 X 2.5	8	
9	450054	Bolt-hex M12 X 70	8	

BACKLAP VALVE

Illustration Number: 4221480 - 5

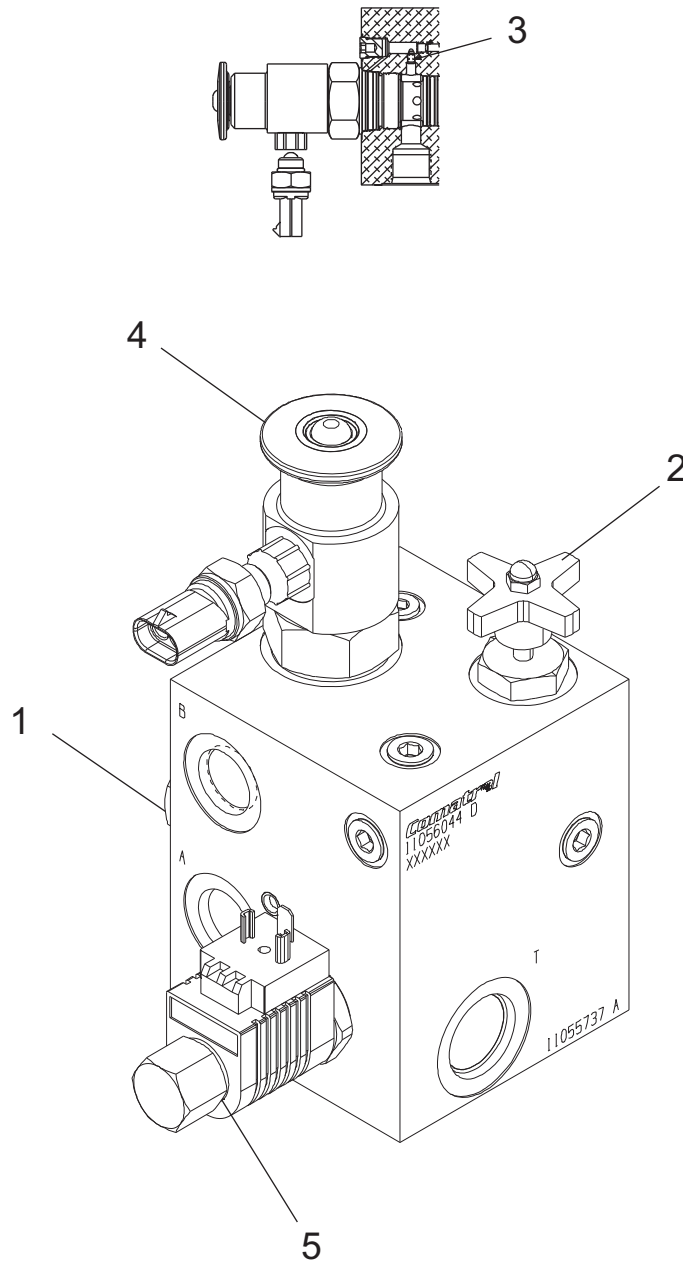
BACKLAP VALVE



ITEM	PART NO.	DESCRIPTION	QTY.	REMARKS
1	4221020	Backlap Valve	1	
2	158006-11	Fitting-m/m 1 Ors X 1-1/16 SAE	1	
3	158006-06	Fitting-m/m 13/16 Ors X 7/8 SAE	2	
4	158007-03	90-m/m 13/16 Ors X 7/8 SAE	1	
5	450213	Screw-hex M10 X 20	4	
6	450412	Lock Washer-M10 X 15.9 X 2.5	4	
7	450391	Washer-M10 X 21 X 2.2	4	
*	4294754	Coil	1	
*	4294760	Switch	1	

BACKLAP VALVE BREAKDOWN

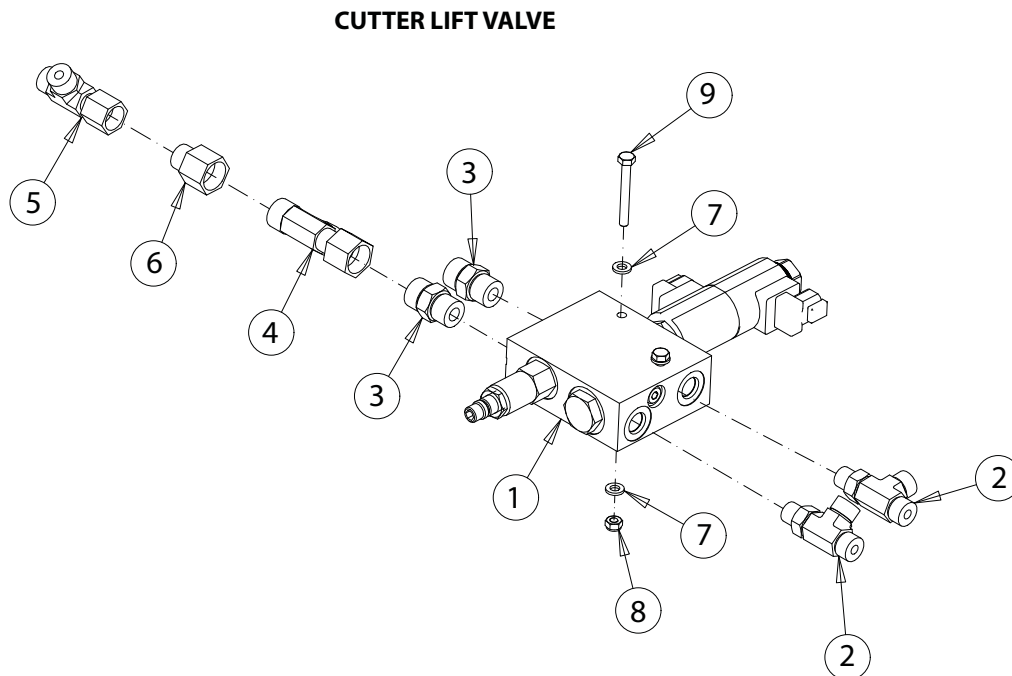
4221020-Backlap_valve



ITEM	PART NO.	DESCRIPTION	QTY.	REMARKS
1	4221020	Backlap Valve	1	
2	4250130	• Cartridge Valve	1	
3	4238263	• Adjustable Flow Control Valve	1	
4	4238262	• 2 Position Pilot Valve	1	
5	4238264	• 3 Position 4 Way Cartridge Valve	1	
	4238265	• 2 Position Solenoid Relief Valve	1	

CUTTER LIFT VALVE

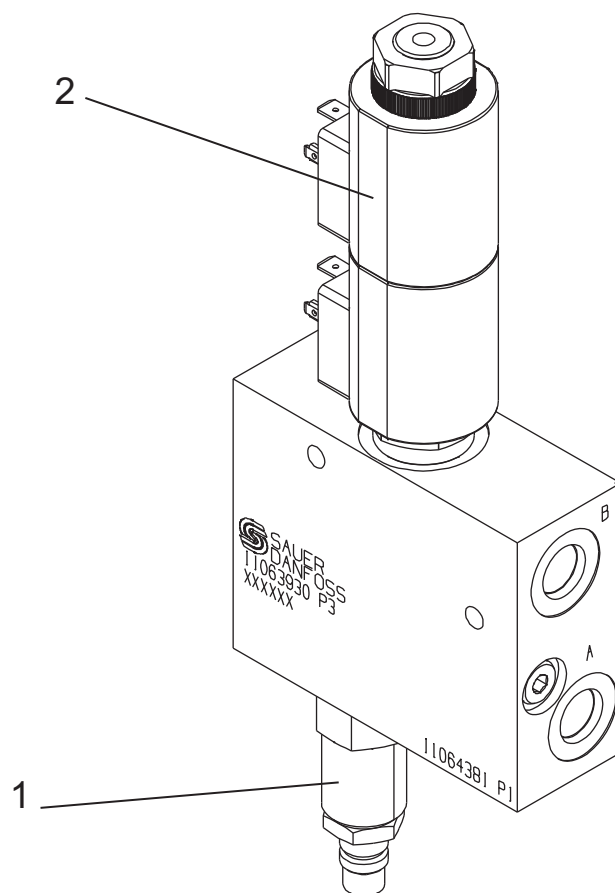
Illustration Number: 4221480 - 6



ITEM	PART NO.	DESCRIPTION	QTY.	REMARKS
1	4221040	Cutter / Lift Valve	1	
2	158056-02	Fitting-ORS/O-ring Tee	2	
3	158006-05	Fitting-ORS/ORB	2	
4	002498490	Tee-m/f/m 13/16 ORS	1	
5	002498400	Tee-m/f/m 11/16 ORS	1	
6	002600230	Reducer-f/m 13/16 X 11/16 ORS	1	
7	450389	Washer-M6 X 12.5 X 1.8	4	
8	450377	Nut-hex M6 Nyloc	2	
9	450005	Bolt-hex M6 X 50	2	

UTTER / LIFT VALVE BREAKDOWN

Illustration Number: 4221040-Cutter-Lift_Valve

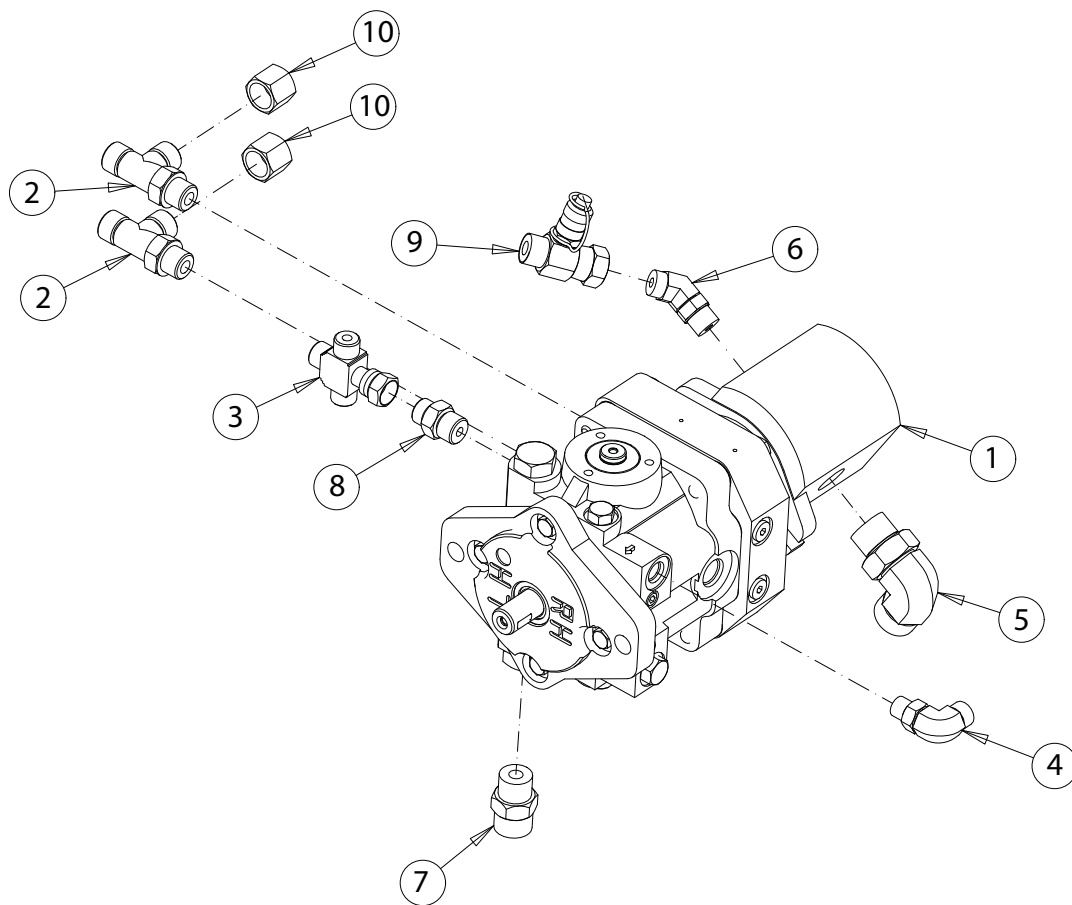


ITEM	PART NO.	DESCRIPTION	QTY.	REMARKS
1	4221040	Cutter / Lift Valve	1	
	4238266	• Relief Valve	1	
2	4238267	• 3 Position Solenoid Cartridge Valve	1	

PUMP STACK

Illustration Number: 4221480 - 7

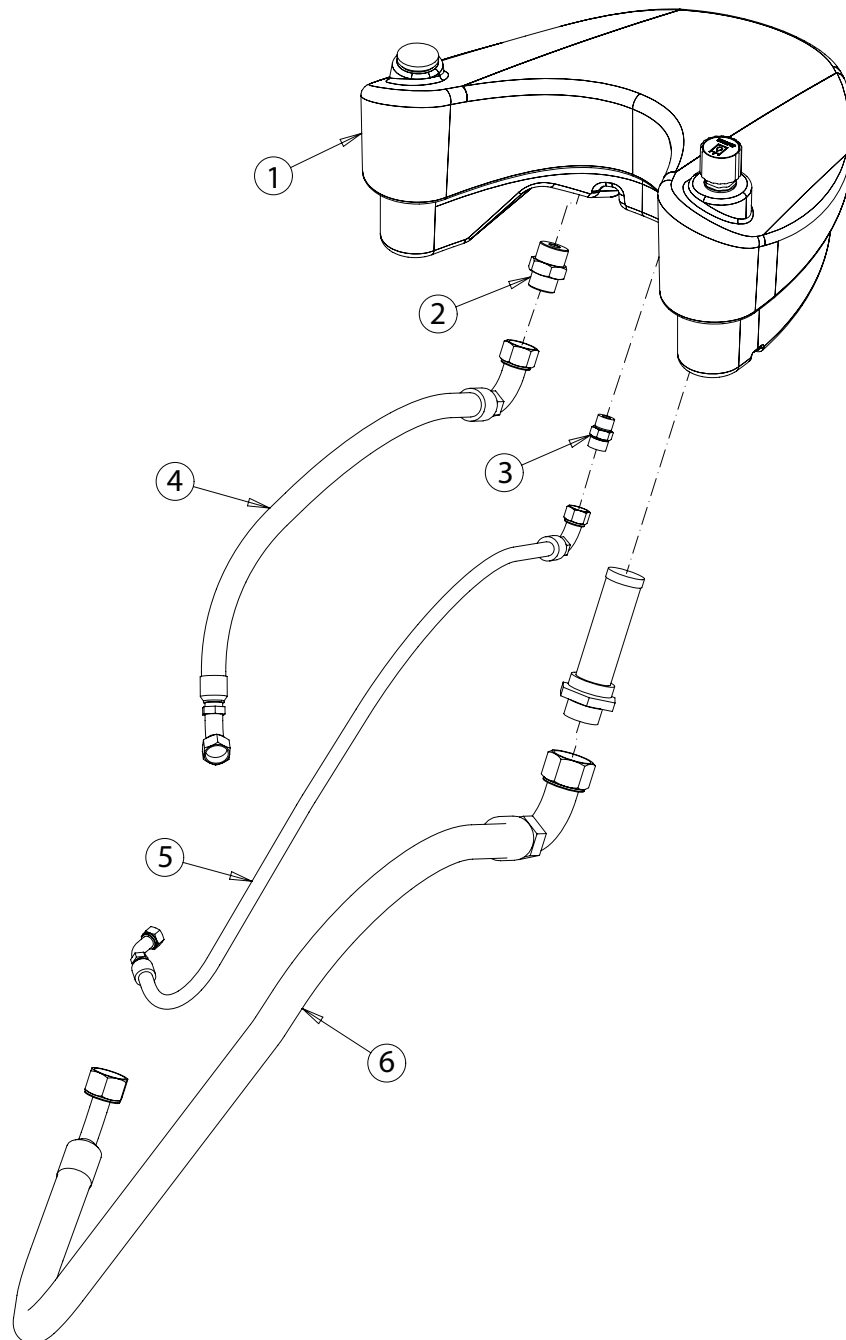
PUMP STACK



ITEM	PART NO.	DESCRIPTION	QTY.	REMARKS
1	2701711	Pump, Hydraulic Gear	1	
*	2702707	Service Kit	1	
2	158056-01	Fitting - ORS/O-RING TEE	1	
3	4186000	Cross-M/M/M/F 11/16 ORS	1	
4	158007-01	Fitting - 90 ORS/ORB	1	
5	839820	Adapter, 90 EL 1.44-12 x 1.06-12	1	
6	158059-01	Fitting - 45 ORS/ORB ADJ	1	
7	158006-07	Fitting- ORS/ORB	1	
8	158006-13	Connector, Straight THD	1	
9	4231440-01	Fitting -F/M 13/16 ORFS	1	
*	002449048	Test Point-1/8 BSPP x M16	1	
10	002568030	13/16" - CAP	2	

HYDRAULIC TANK CONNECTIONS

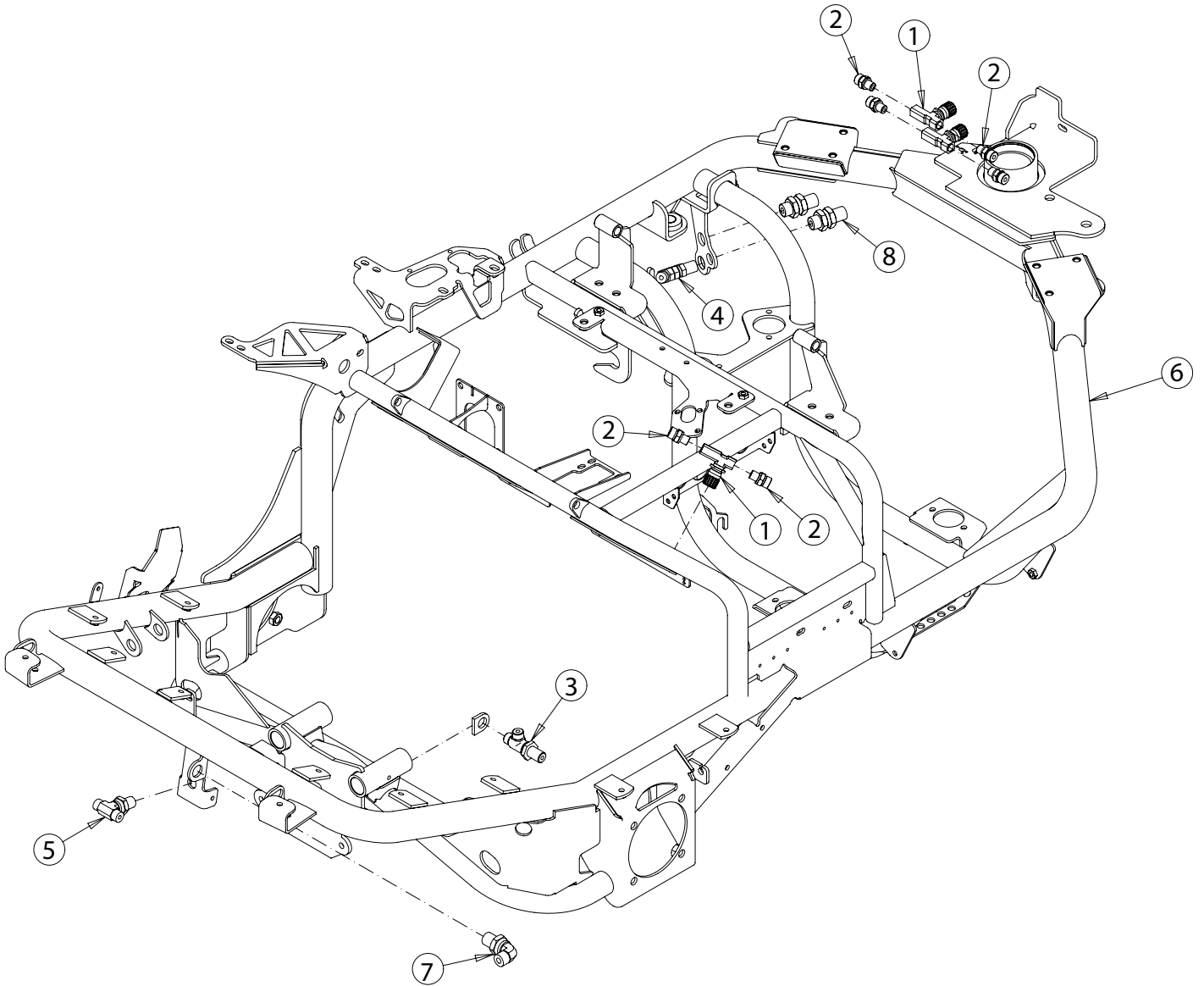
Illustration Number: 4221480 - 9



ITEM	PART NO.	DESCRIPTION	QTY.	REMARKS
1	4229000	Tank-hydraulic	1	
2	4229260	Fitting-1 5/16"SAE-1 3/16"ORFS	1	
3	158006-05	Fitting-13/16 ORFS X 3/4 SAE	1	
4	4246090	Hydraulic Hose	1	
5	4234040	Hydraulic Hose	1	
6	4231840	Hydraulic Hose	1	

BULKHEAD FITTINGS

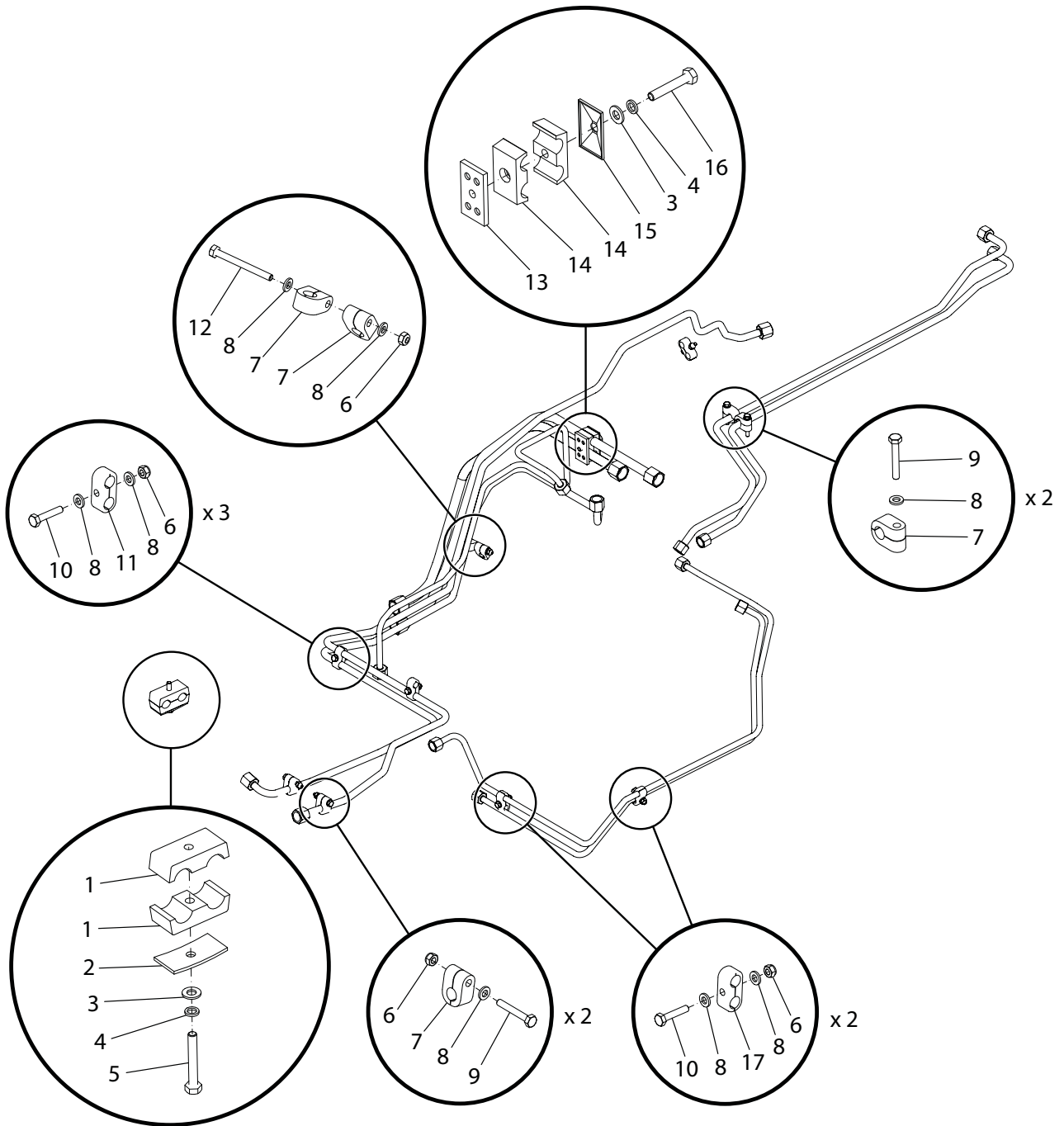
Illustration Number: 4221480 - 10



ITEM	PART NO.	DESCRIPTION	QTY.	REMARKS
1	008012590	Needle Valve	3	
2	002590690	Fitting-11/16 ORS X 1/4 BSP	6	
3	002590090	11/16" Tee-Bulkhead	1	
4	843915	45-M/M 11/16 ORFS Bulkhead	1	
5	4136396	Tee-M/M/Bulkhead 11/16 ORS	1	
6	4218440	Weldment-Chassis	1	
7	4136395	90 Bulkhead-M/M 13/16 ORS	1	
8	158067-04	Fitting-Bulkhead M/M 13/16 ORS	2	

CLAMPS

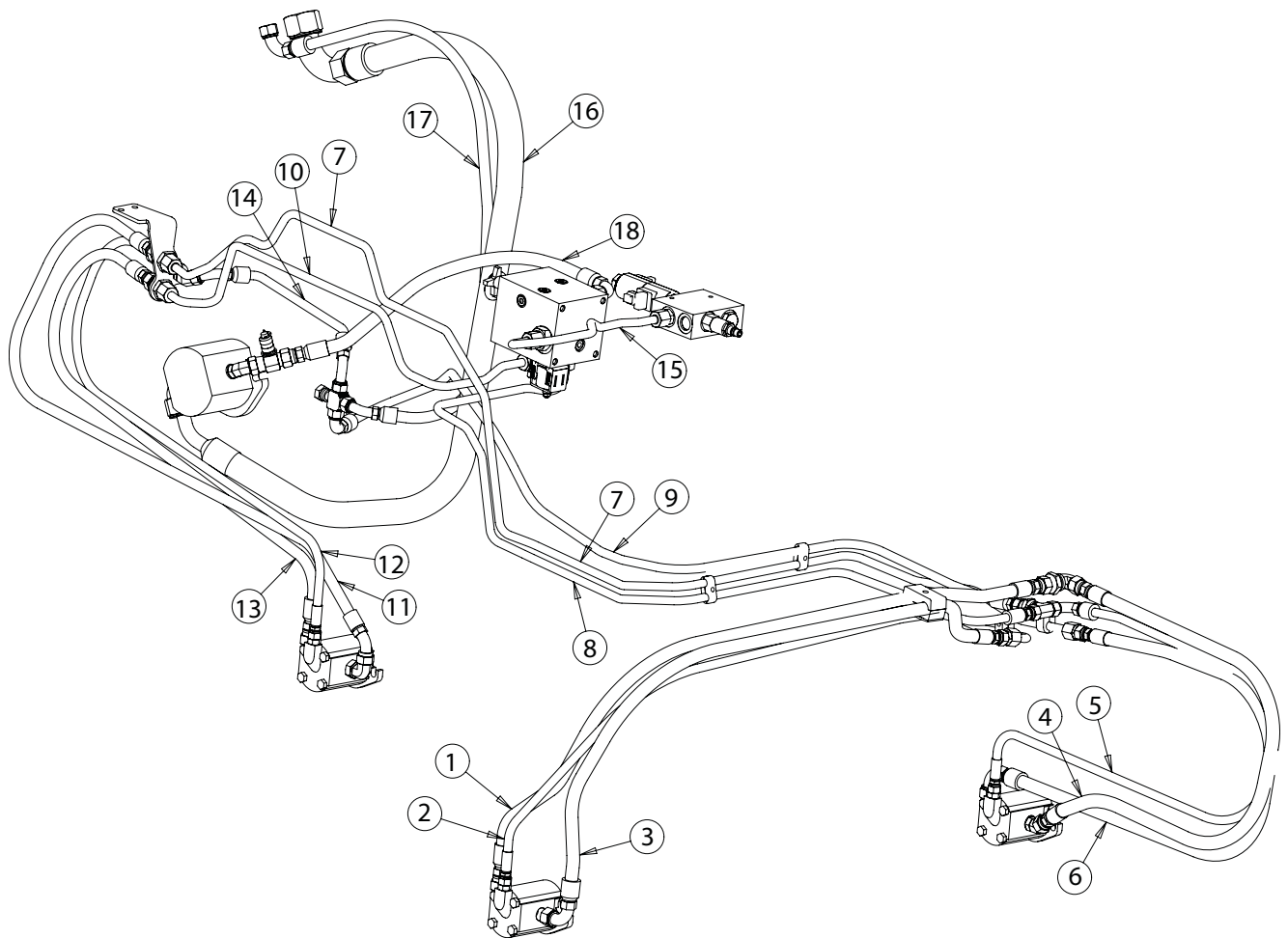
Illustration Number: 4221480 - 11



ITEM	PART NO.	DESCRIPTION	QTY.	REMARKS
1	2208139	5/8 Bore Hose Clamp	2	
2	009079310	Top Plate-tube Clamp	1	
3	450390	Washer-M8 X 17 X 1.8	2	
4	450411	Lock Washer-M8 X 12.75 X 2	2	
5	450019	Bolt-hex M8 X 55	1	
6	450377	Nut-hex M6 Nyloc	8	
7	4150297	Single Clamp 12 mm	6	
8	450389	Washer-m6 X 12.5 X 1.8	15	
9	450175	Screw-hex M6 X 40	5	
10	450173	Screw-hex M6 X 30	4	
11	4240222	Clamp-double 12mm	3	
12	450007	Bolt-hex M6 X 60	1	
13	837735	Hose Clamp Bottom - 5/8" Bore	2	
14	837737	Clamp Plate	2	
15	837736	Clamp Plate	1	
16	450196	Screw-hex M8 X 45	1	
17	844219	Clamp-double 10mm	2	

CUTTING CIRCUIT

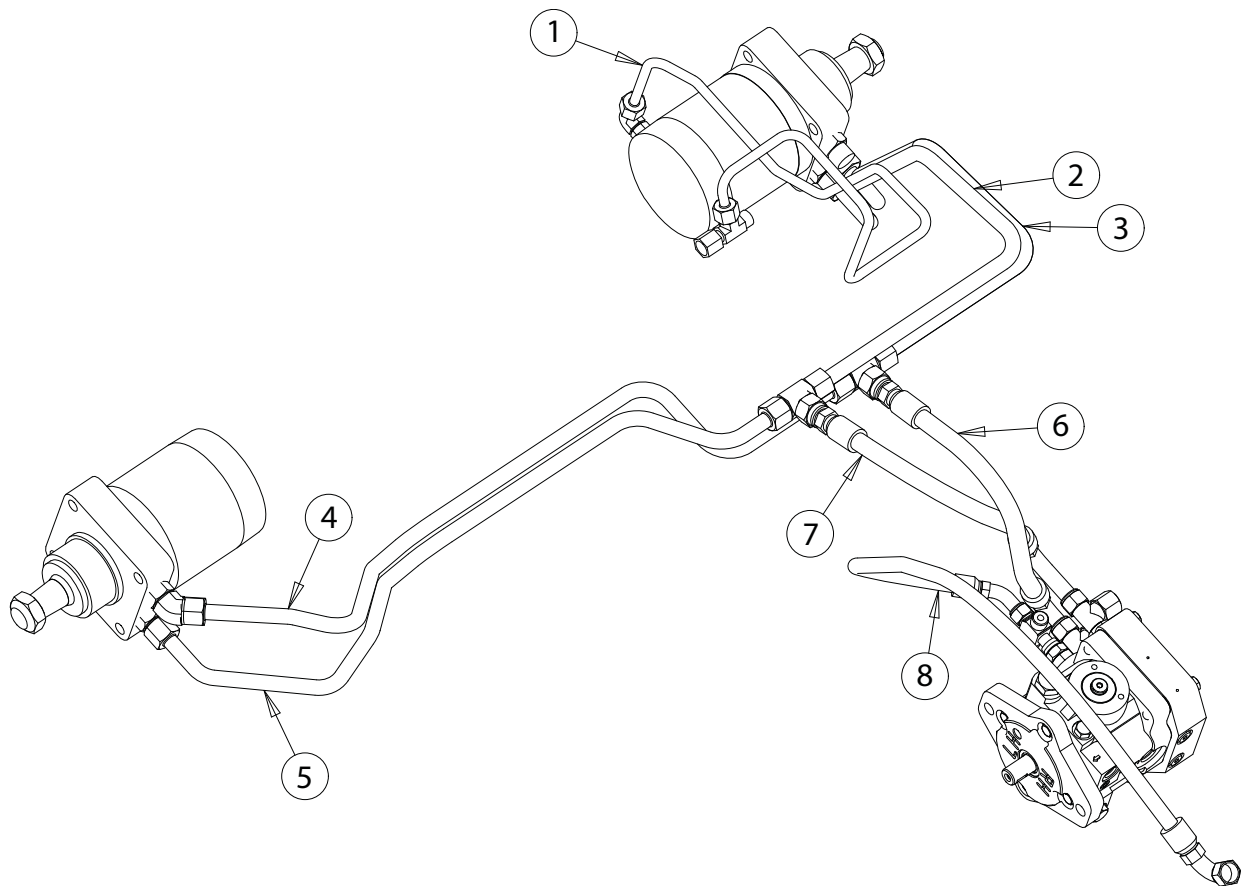
Illustration Number: 4221480 - 13



ITEM	PART NO.	DESCRIPTION	QTY.	REMARKS
1	4147136	Hose, RH Motor Rear	1	
2	4147137	Hose, RH Motor Drain	1	
3	4147135	Hose, RH Motor Front	1	
4	4147139	Hose, LH Motor Front	1	
5	4147140	Hose, LH Motor Drain	1	
6	4147138	Hose, LH Motor Rear	1	
7	4226741	Hydraulic Tube	1	
8	4226744	Hydraulic Tube	1	
9	843913	Hose, Hydraulic .25 ID X 76.00" Long	1	
10	4227600	Hydraulic Tube	1	
11	843921	Hose, Hydraulic .50 ID X 47.50" Long	1	
12	843922	Hose, Hydraulic .50 ID X 43.25" Long	1	
13	843911	Hose, Hydraulic .25 ID X 47.50" Long	1	
14	4202181	Hydraulic Tube	1	
15	4231640	Hydraulic Tube	1	
16	4231840	Hydraulic Tube	1	
17	4234040	Hydraulic Tube	1	
18	4232180	Hydraulic Tube	1	

TRANSMISSION CIRCUIT

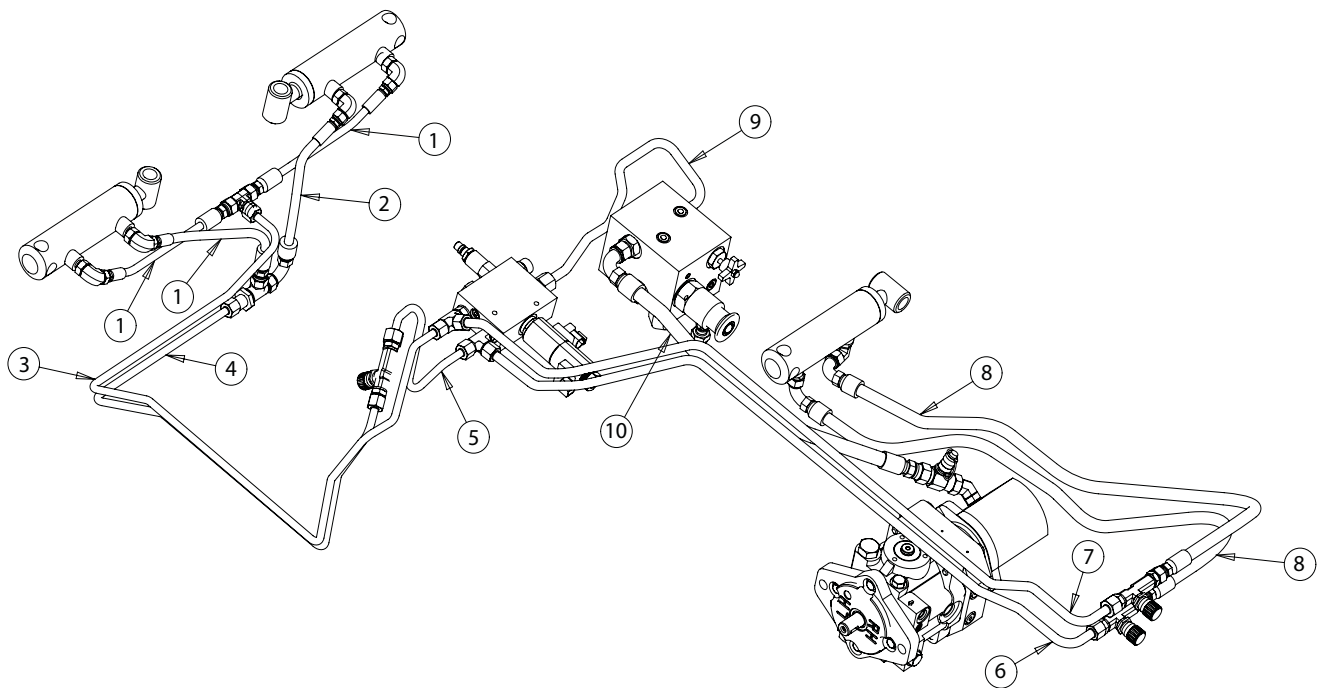
Illustration Number: 4221480 - 14



ITEM	PART NO.	DESCRIPTION	QTY.	REMARKS
1	4239822	Hydraulic Tube	1	
2	4239722	Hydraulic Tube	1	
3	4239723	Hydraulic Tube	1	
4	4226742	Hydraulic Tube	1	
5	4303496	Hydraulic Tube	1	
6	4245192	Hydraulic Tube	1	
7	843926	Hose, Hydraulic .50 Id X 16.75" Long	1	
8	4234040	Hydraulic Tube	1	

LIFT CIRCUIT

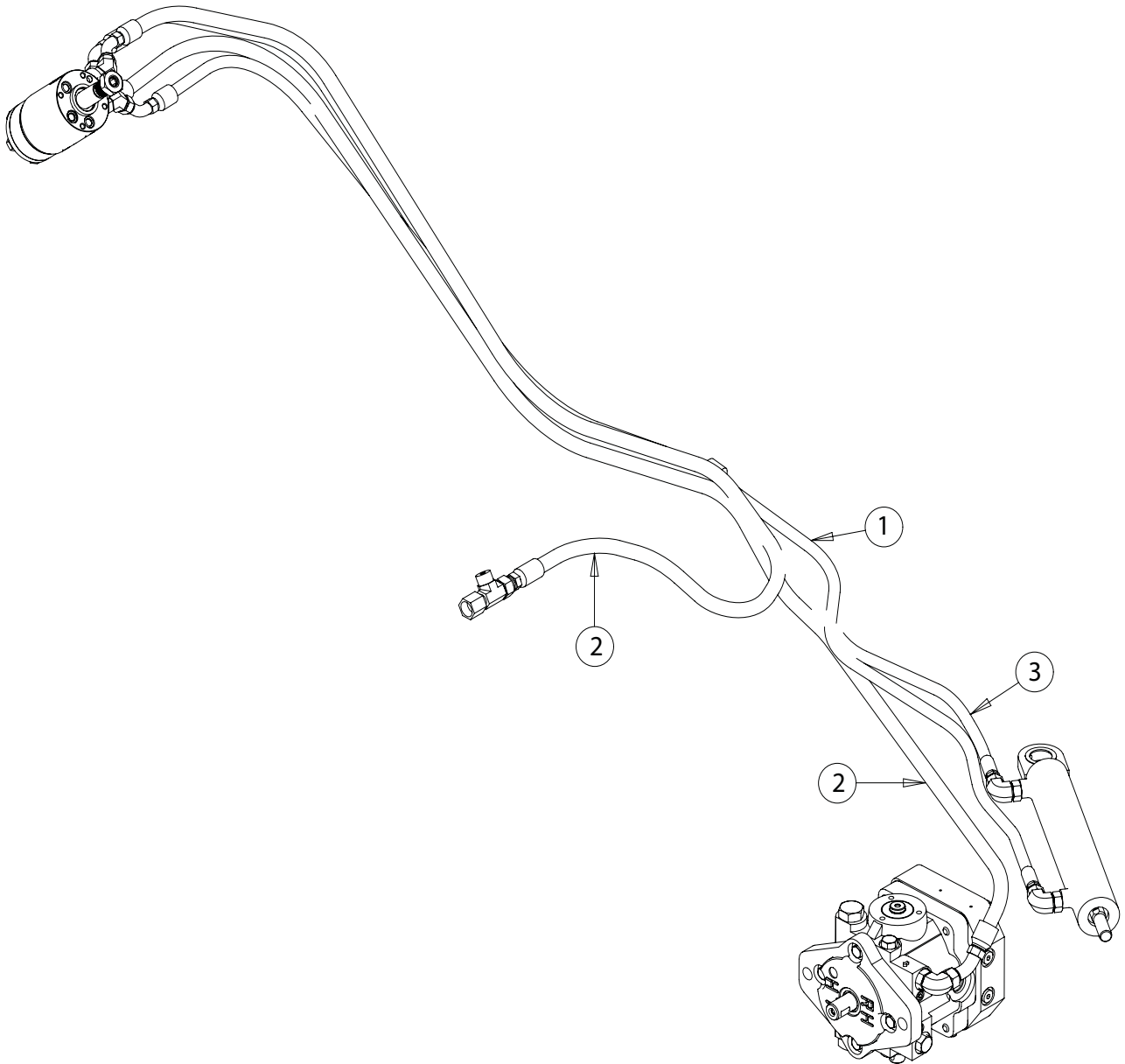
Illustration Number: 4221480 - 15



ITEM	PART NO.	DESCRIPTION	QTY.	REMARKS
1	843908	Hose, Hydraulic .25 ID X 10.62" Long	3	
2	839837	Hose, Hydraulic .25 ID X 10.50"Long	1	
3	4226780	Hydraulic Tube	1	
4	4226740	Hydraulic Tube	1	
5	4226781	Hydraulic Tube	1	
6	4227880	Hydraulic Tube	1	
7	4227881	Hydraulic Tube	1	
8	4147141	Hose, Rear Lift RAM	2	
9	4231640	Hydraulic Tube	1	
10	4232180	Hydraulic Tube	1	

STEERING CIRCUIT

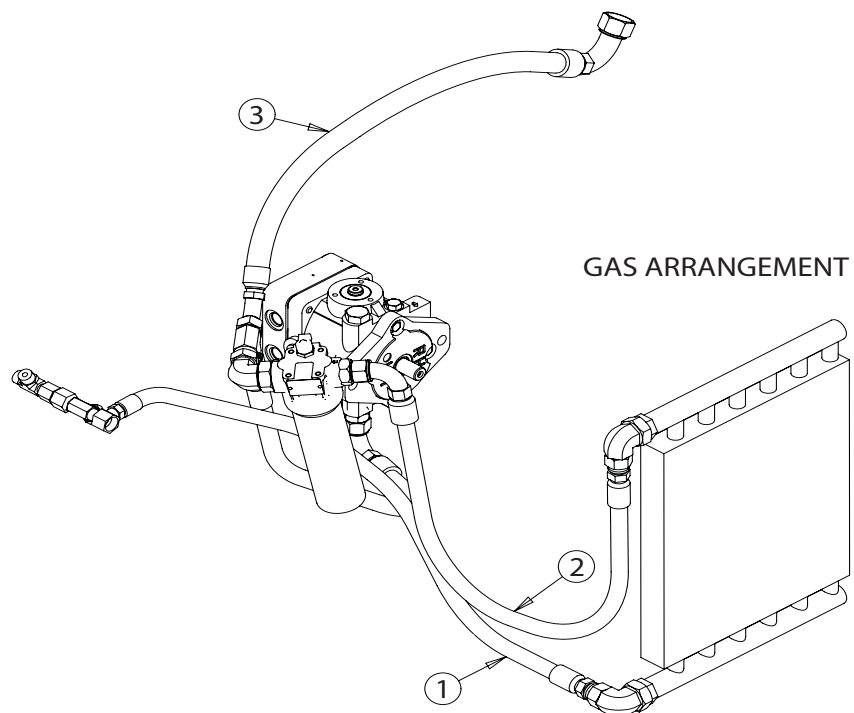
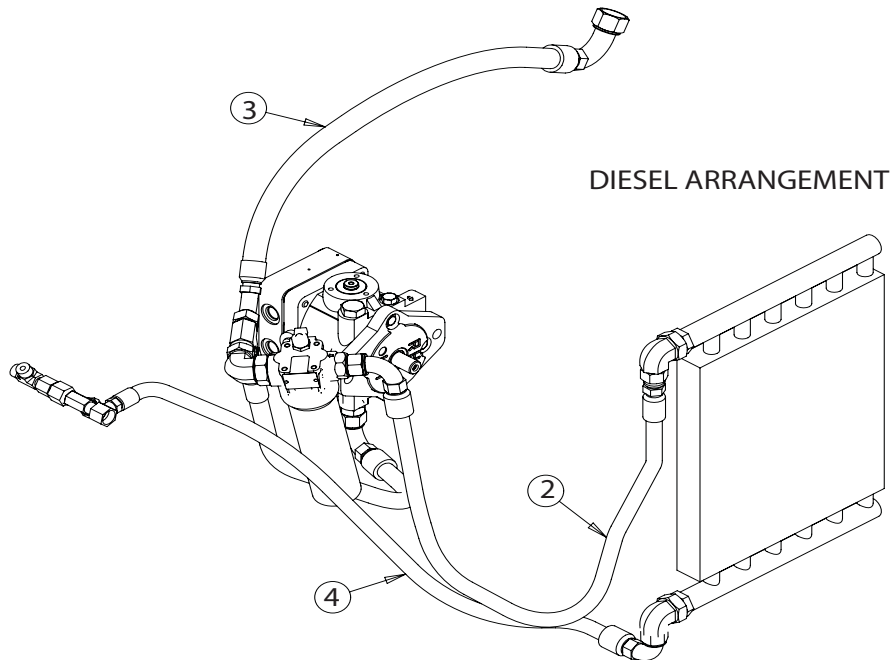
Illustration Number: 4221480 - 16



ITEM	PART NO.	DESCRIPTION	QTY.	REMARKS
1	839842	Hose, Hydraulic .25ID X 77" Long	1	
2	843919	Hose, Hydraulic .38 ID X 72.50" Long	2	
3	4237263	Hydraulic Hose	1	

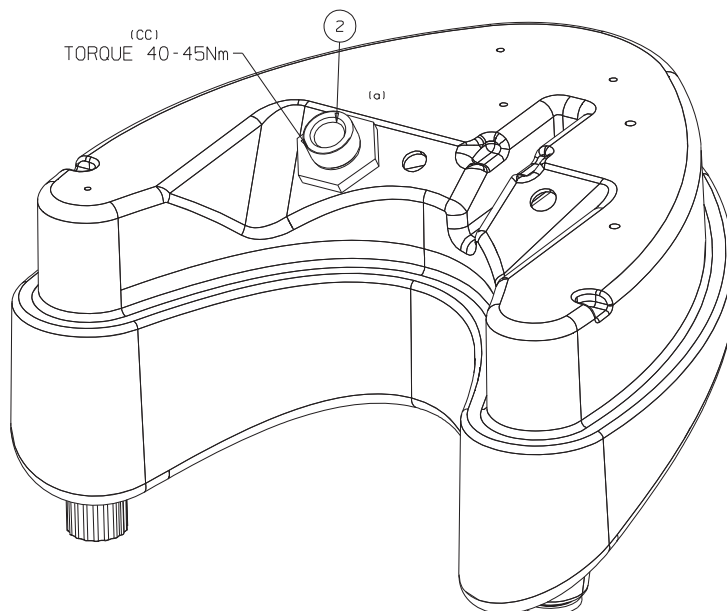
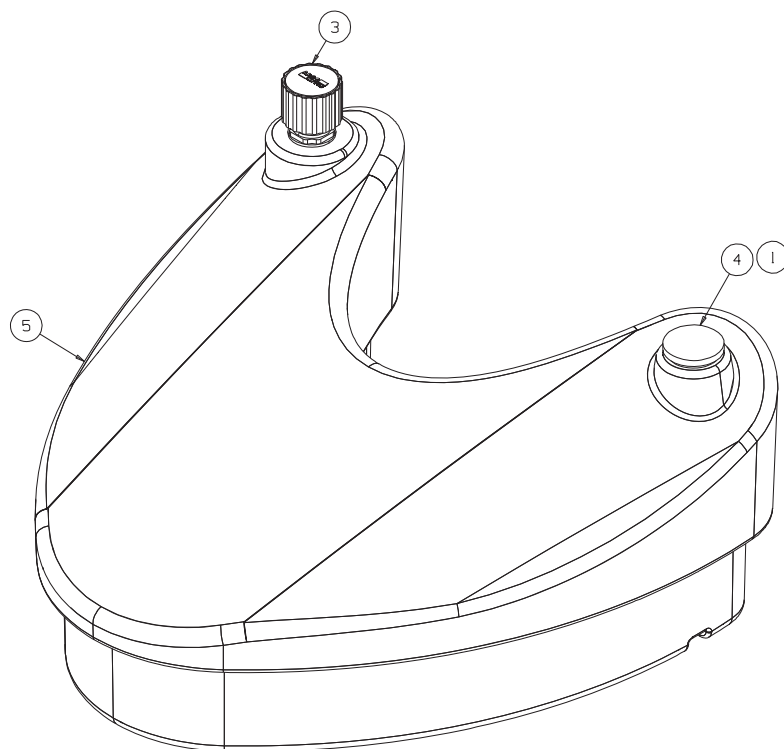
TANK FILTER COOLER CIRCUIT

Illustration Number: 4221480 - 17



ITEM	PART NO.	DESCRIPTION	QTY.	REMARKS
1	4250913	Hydraulic Hose	1	
2	4232140	Hydraulic Hose	1	
3	4246090	Hydraulic Hose	1	
4	4232120	Hydraulic Hose	1	

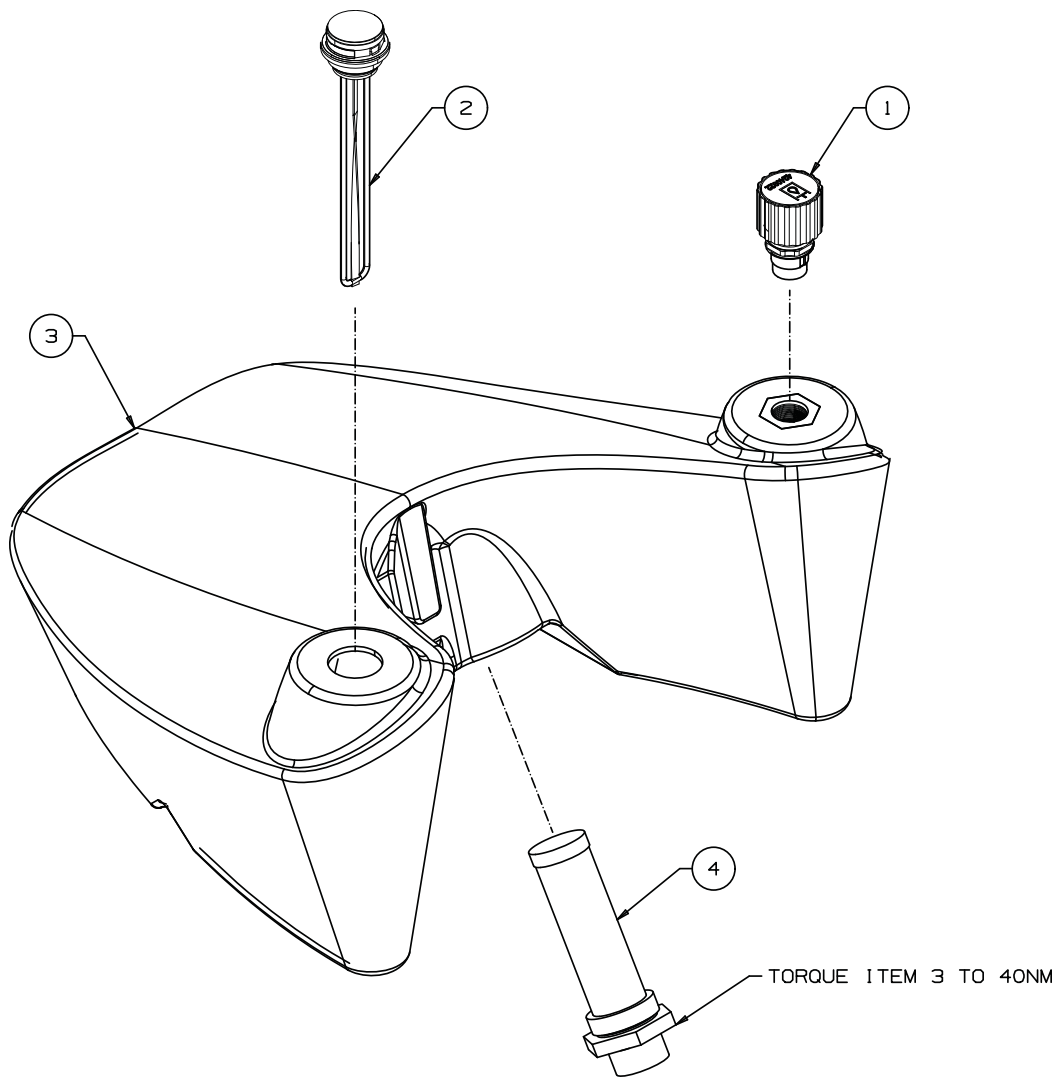
Illustration Number: 4229000



ITEM	PART NO.	DESCRIPTION	QTY.	REMARKS
1	2218147	Grommet-Gauge	1	
2	4153597	Strainer-Suction, 125 Micron	1	
3	4240922	Breather / Filler	1	
*	• 4292311	Breather/Filler seal Metal	1	
*	• 4292312	Breather/Filler seal O ring	1	
4	4238062	Gauge-Hyd Level	1	
5	4222225	Tank-Hydraulic	1	

HYDRAULIC TANK GASOLINE EPA AND CARB COMPLIANT GASOLINE

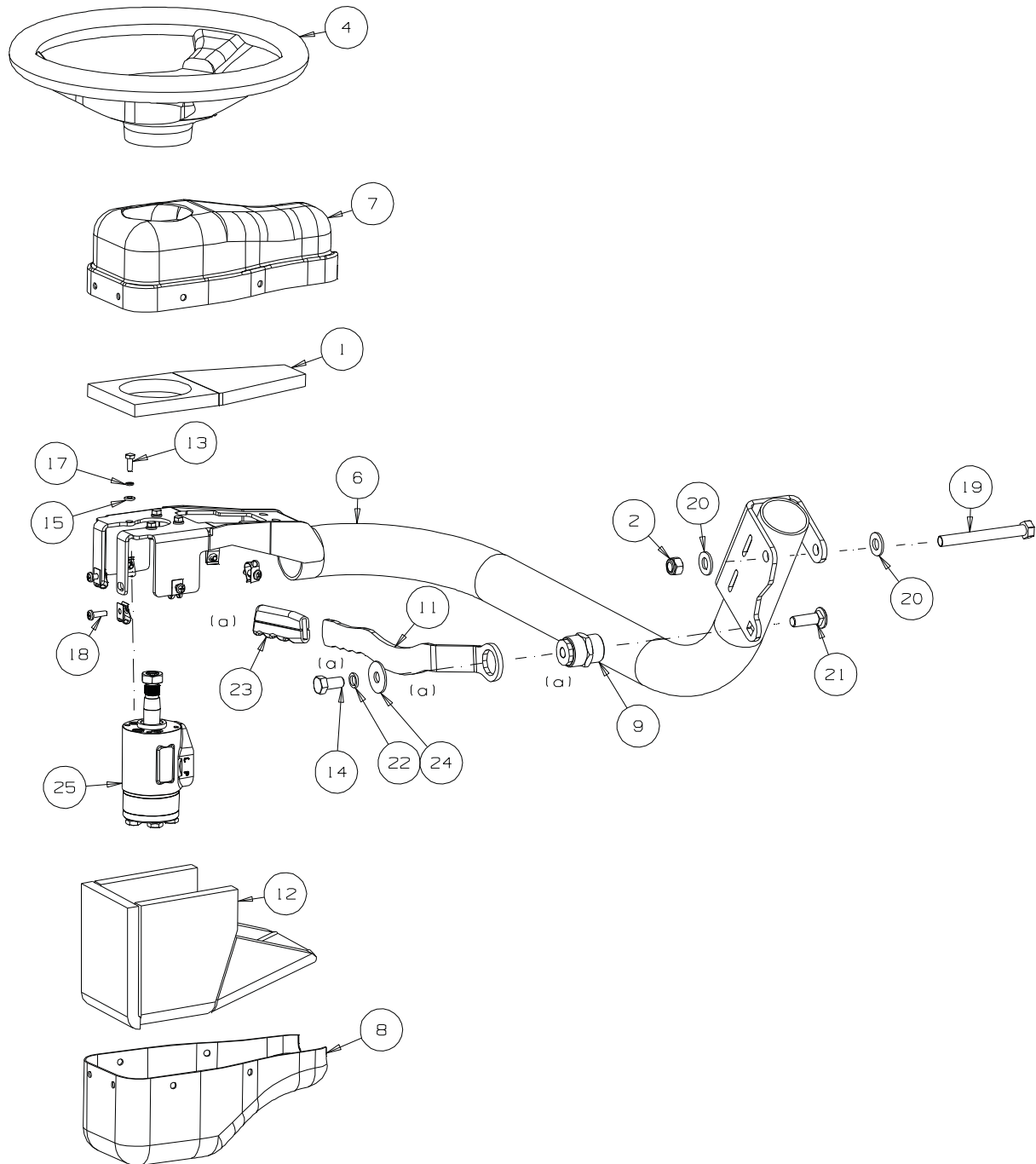
Illustration Number: 4282955_A_hyd_tank



ITEM	PART NO.	DESCRIPTION	QTY.	REMARKS
1	4240922	Breather/fill-hyd Oil	1	
2	4291051	Gauge,oil Level	1	
3	4282956	Tank-hydraulic	1	
4	4153597	Strainer-suction, 125 Micron	1	

CONTROL ARM

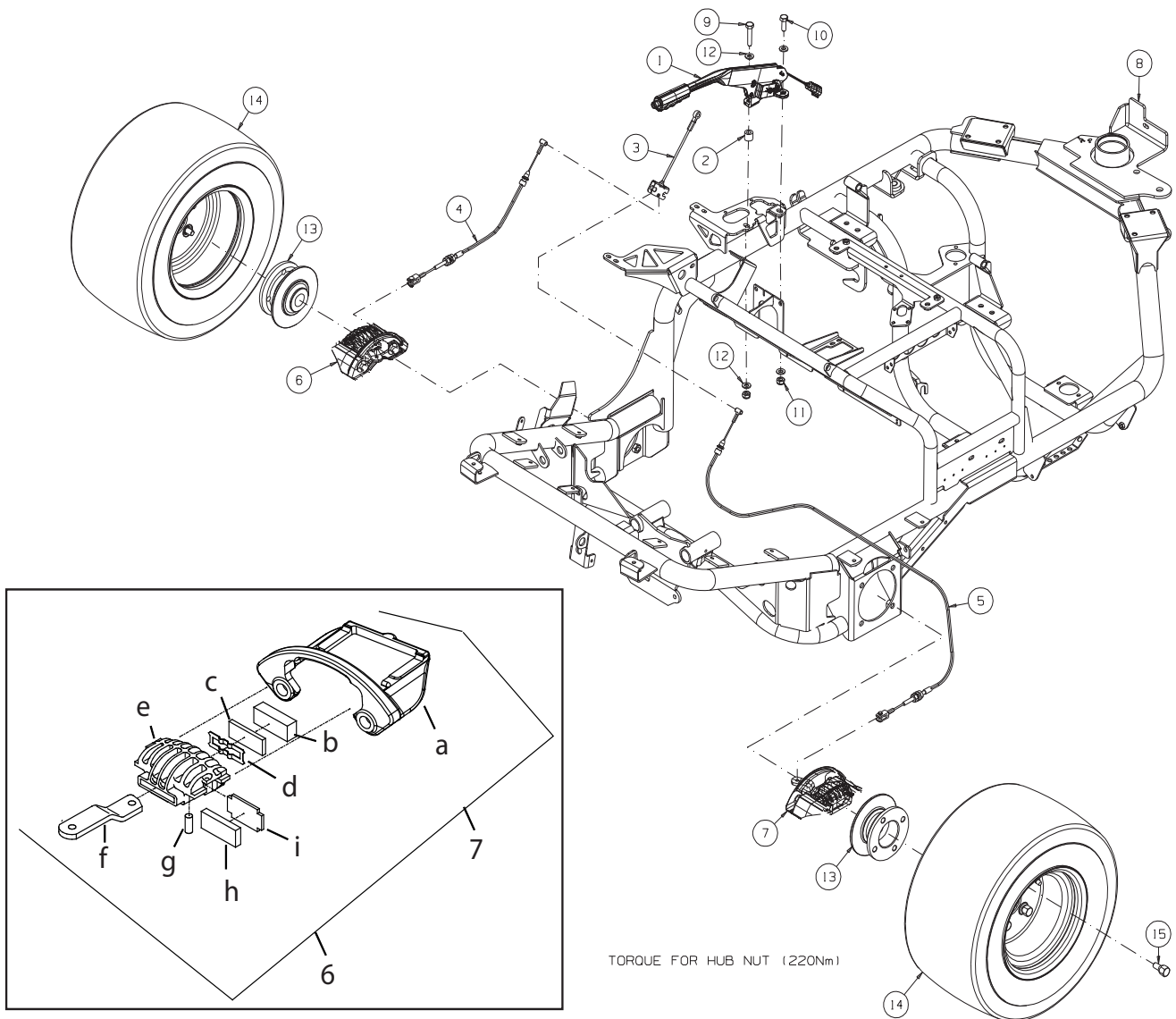
Illustration Number: 4208740



ITEM	PART NO.	DESCRIPTION	QTY.	REMARKS
1	4239251	Acoustic-Steer Cover Top	1	
2	001399032	Nut-Hex 1/2-20 Nyloc	1	
4	2811364	Steering Wheel	1	
5	4134028	Nut-Lug M6	6	
6	4208220	Wldmt - Steering Arm (Danfoss)	1	
7	4213400	Cover-Steering Column Top	1	
8	4213401	Bottom Cover	1	
9	4246371	Boss - Steering Arm Lock	1	
11	4246372	Handle	1	
12	4239249	Acoustic-Steering Cover Bottom	1	
13	450170	Screw-Hex M6 x 16	4	
14	001021090	Screw 1/2" UNC x 3/4	1	
15	450389	Washer-M6 x 12.5 x 1.8	4	
17	450410	Lock Washer-M6 x 9.6 x 1.5	4	
18	450542	Screw-Pan HD M6 x 20	6	
19	451031477	Bolt-Hex 1/2-20 x 4-1/2	1	
20	452101285	Washer-1/2 x 1-1/8 x 0.104	2	
21	800845	CBolt, 0.5-13 1.50 YS G5 (KC)	1	
22	450413	Lock Washer-M12 x 17.9 x 2.5	1	
23	38404-01/02	Handle Grip	1	
24	800800	Washer-1/2 x 1.1/2 x 2.5mm	1	
25	4239255	Steering Unit	1	

HANDBRAKE

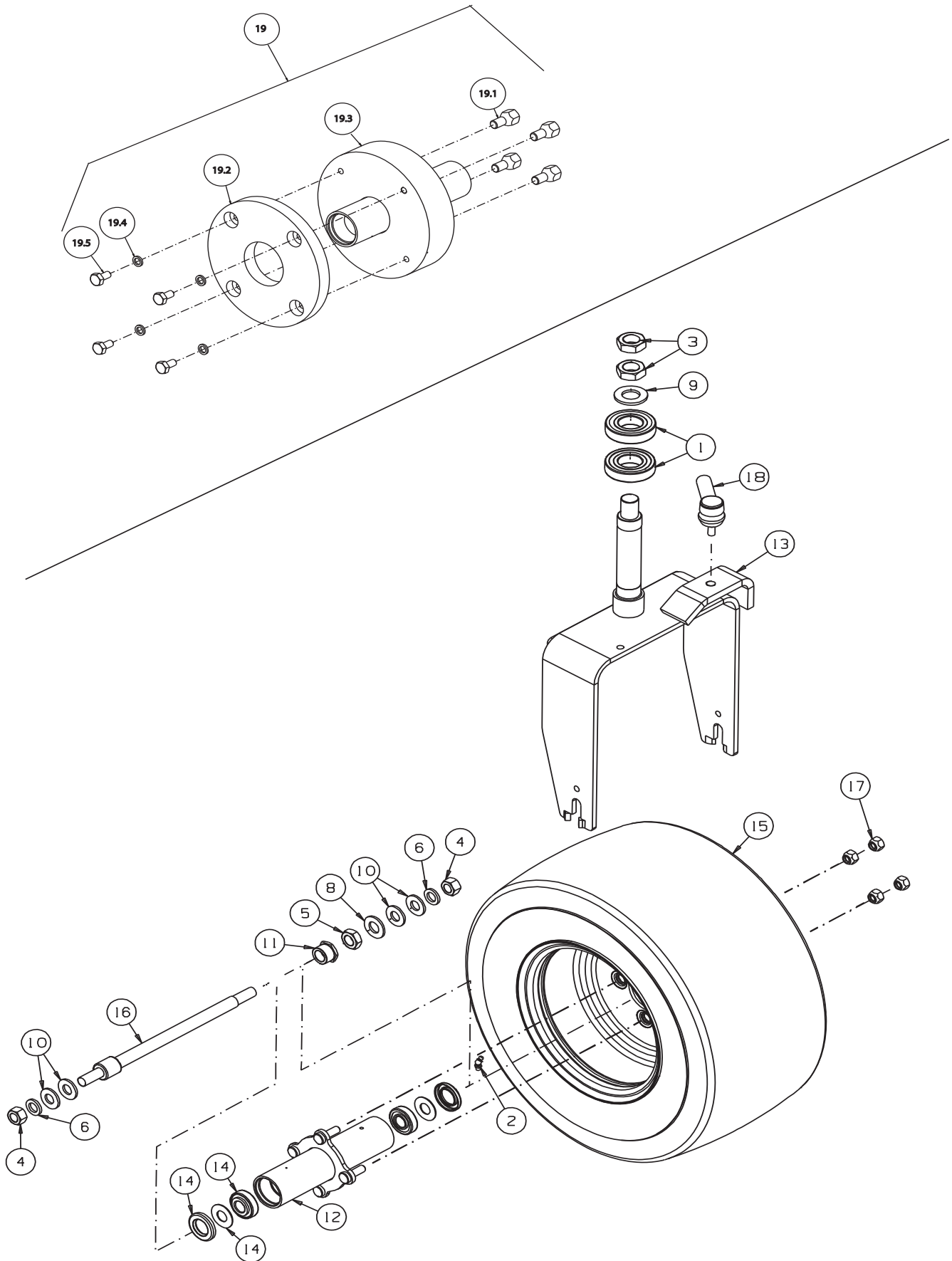
Illustration Number: 4226482



ITEM	PART NO.	DESCRIPTION	QTY.	REMARKS
*	4205283	Kit-Handbrake GP400		Includes part no 1, 3, 4, 5.
1	4187540	• Handbrake H29 10:1	1	
*	4209180	• Switch Assy	1	
*	4209181	• E-Clip	1	
*	4209182	• M2 Stainless Nut	2	
*	4209183	• Pin	1	
*	4209184	• R-Clip	1	
*	4209185	• Screw SSM2 CH Hd	2	
*	4209186	• M2 Stainless Washer	4	
2	4189460	Boss-Handbrake	1	
3	4203580	• Cable Assy-Equaliser	1	
4	4204342	• Cable-Brake, Short	1	
5	4204440	• Cable-Brake, Long	1	
6	4210540	Assm-Brake Caliper Ccw (Long Lever)	1	
a	4207120	Lever-Brake Caliper Rh	1	
b	2188147-02	• Pad-Cam Side	1	
c	2188147-03	• Pad-Support	1	
d	2188147-04	• Spring-Lever Retainer	1	
e	2188147-05	• Housing	1	
f	2188147-06	• Cam	1	
g	2188147-07	• Pin-Pivot	1	
h	503660	• Pad-Carrier Side	1	
i	2188147-09	• Pad-Support	1	
7	4210541	Assm-Brake Caliper Cw (Long Lever)	1	
a	4207121	Lever-Brake Caliper Lh	1	
b	2188147-02	• Pad-Cam Side	1	
c	2188147-03	• Pad-Support	1	
d	2188147-04	• Spring-Lever Retainer	1	
e	2188147-05	• Housing	1	
f	2188147-06	• Cam	1	
g	2188147-07	• Pin-Pivot	1	
h	503660	• Pad-Carrier Side	1	
i	2188147-09	• Pad-Support	1	
8	4218440	Wldmt-Chassis GP400	1	
9	450032	Bolt-Hex M10x50	1	
10	450215	Scrw-Hex M10x30	1	
11	450379	Nut-Hex M10 Nyloc	2	
12	450391	Wsher M10 x 21 x 2.2	4	
13	843160	Hub, Wheel & Disc	2	
14	4237062	Wheel Assy Complete	2	
	4222722	• Rim-10x8.50	1	
	4233900	• Tyre 20x10-10-2 Ply OTR Smooth	1	
	4220940	• Tubeless Tyre Valve Assy - TR412	1	
15	64220-01	Bolt-Wheel 1/2-20x.88 60d	8	Torque 95 - 108NM

REAR WHEEL

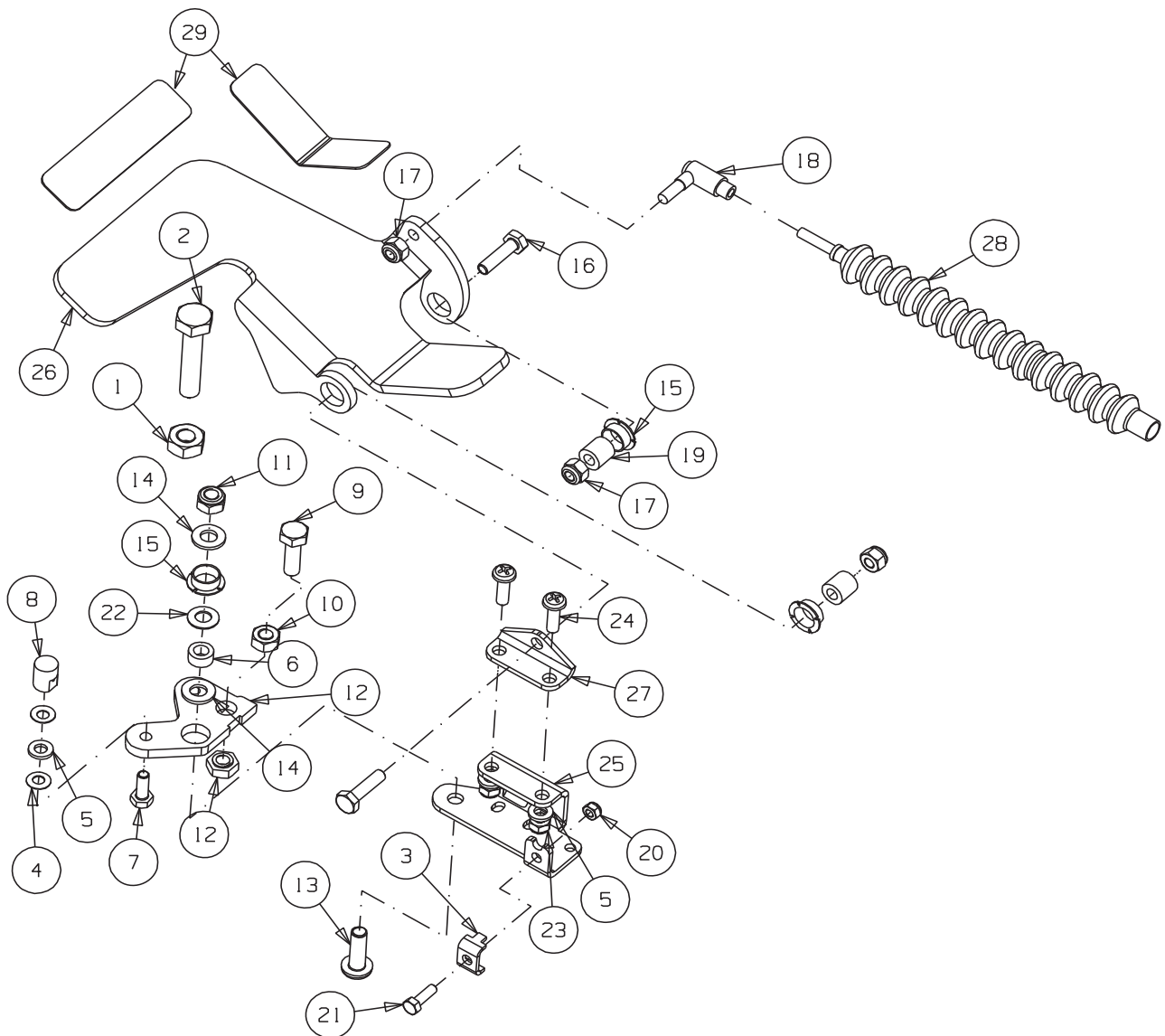
Illustration Number: 4236562



ITEM	PART NO.	DESCRIPTION	QTY.	REMARKS
1	002036070	Brg-Ball 35 x 72 x 17	2	
2	002993063	Lubricator-M6 x 45	1	
3	310854	Nut-Hex JAM 1-14	2	
4	450020176	Nut-Hex 5/8-18	2	
5	450020354	Nut-Hex 3/4 -16 Thin	1	
6	450425	Lockwshr-M16 x 27.3 x 3.7	2	
8	452000562	Wshr-3/4 x 1-1/2 x 0.128	1	
9	452000627	Wshr-1 x 1-7/8 x 0.160	1	
10	452101293	Wshr-5/8 x 1-3/8 x 0.128	4	
11	836719	Nut, Bearing ADJ	1	
12	892171.07	Hub ASM-Wheel	1	
13	892913.06	Fork W/Assy	1	
14	889859	Cone Ay, Bearing	2	
	830000441	• Brg-Tpr 0.75 x 1.781 x 0.61	1	
	809229	• Wshr, 0.75 1.07 0.05 Ns Flat	1	
	836621	• Seal-11223	1	
15	4237062	Wheel Assy Complete	1	
	4222722	• Rim-10x8.50	1	
	4233900	• Tyre 20x10-10-2 Ply OTR Smooth	1	
	4220940	• Tubeless Tyre Valve Assy - TR412	1	
16	889843	Axle Ay, Front Wheel	1	
17	450990638	Nut - Whl 7/16-20 x 60 Deg	4	Torque 54 - 68NM
18	4210100	Steering Joint, Treated	1	
*	831877	Bushing	1	
*	809268	Ring, Brg Backing	2	
19	4240122	Rear Axle Weight	1	
19.1	64220-01	• Bolt-Whl 1/2-20 x 0.88 60D	4	
19.2	4126604	• Outer Rear Axle Weight	1	
19.3	4236482	• Wldmt-Wheel Hub	1	
19.4	450412	• Lock Washer-M10 x 15.9 x 2.5	4	
19.5	450213	• Scrw-Hex M10 x 20	4	

FOOTPEDAL

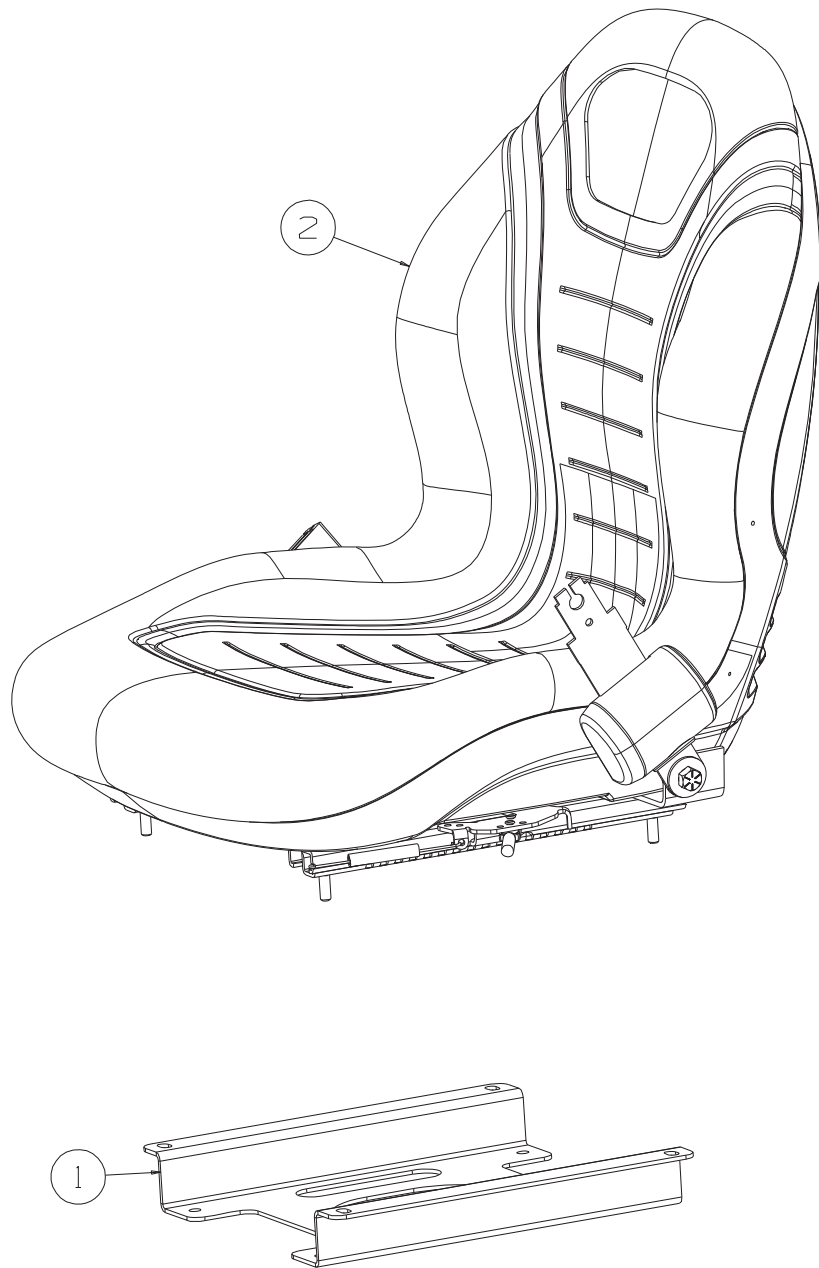
Illustration Number: 4223840



ITEM	PART NO.	DESCRIPTION	QTY.	REMARKS
1	450325	Nut-Hex M10	1	
2	450219	Scrw-hex M10 x 50	1	
3	W022372	Throttle Clamp	1	
4	002920280	Sprng-Disc 6.2 x 12.5 x 0.5	2	
5	450389	Wshr-M6 x 12.5 x 1.8	3	
6	4149979	Mow Speed Bush	1	
7	450170	Scrw-Hex M6 x 16	1	
8	MBF0942	Cable Clamp	1	
9	450192	Scrw-hex M8 x 25	1	
10	450324	Nut-Hex M8	1	
11	450378	Nut-Hex M8 Nyloc	1	
12	4150697	Wldmt, Mow Speed Lever	1	
13	450553	Scrw-Pan HD M8 x 25	1	
14	450390	Wshr-M8 x 17 x 1.8	2	
15	J366877	Nyliner Bearing	3	
16	456110024	Scrw- Hex 1/4 x 1	2	
17	001399121	Nut-Hex 1/4-28 Nyloc	3	
18	831518	Rod End	1	
19	MBG6994	Bush-Steel	2	
20	450376	Nut-Hex M5 Nyloc	1	
21	450151	Scrw-Hex M5 x 16	1	
22	002920501	Sprng-Disc 8.2 x 16 x 0.9	1	
23	450377	Nut-Hex M6 Nyloc	2	
24	450542	Scrw-Pan HD M6 x 20	2	
25	4149978	Mow Speed Bracket	1	
26	4144026	Footpedal	1	
27	839388	Bracket, MTG, Pivot	1	
28	4239242	Transmission Cable	1	
29	840003	Tread, Control Pedal	2	

SEAT (MILSCO)

Illustration Number: 4241462



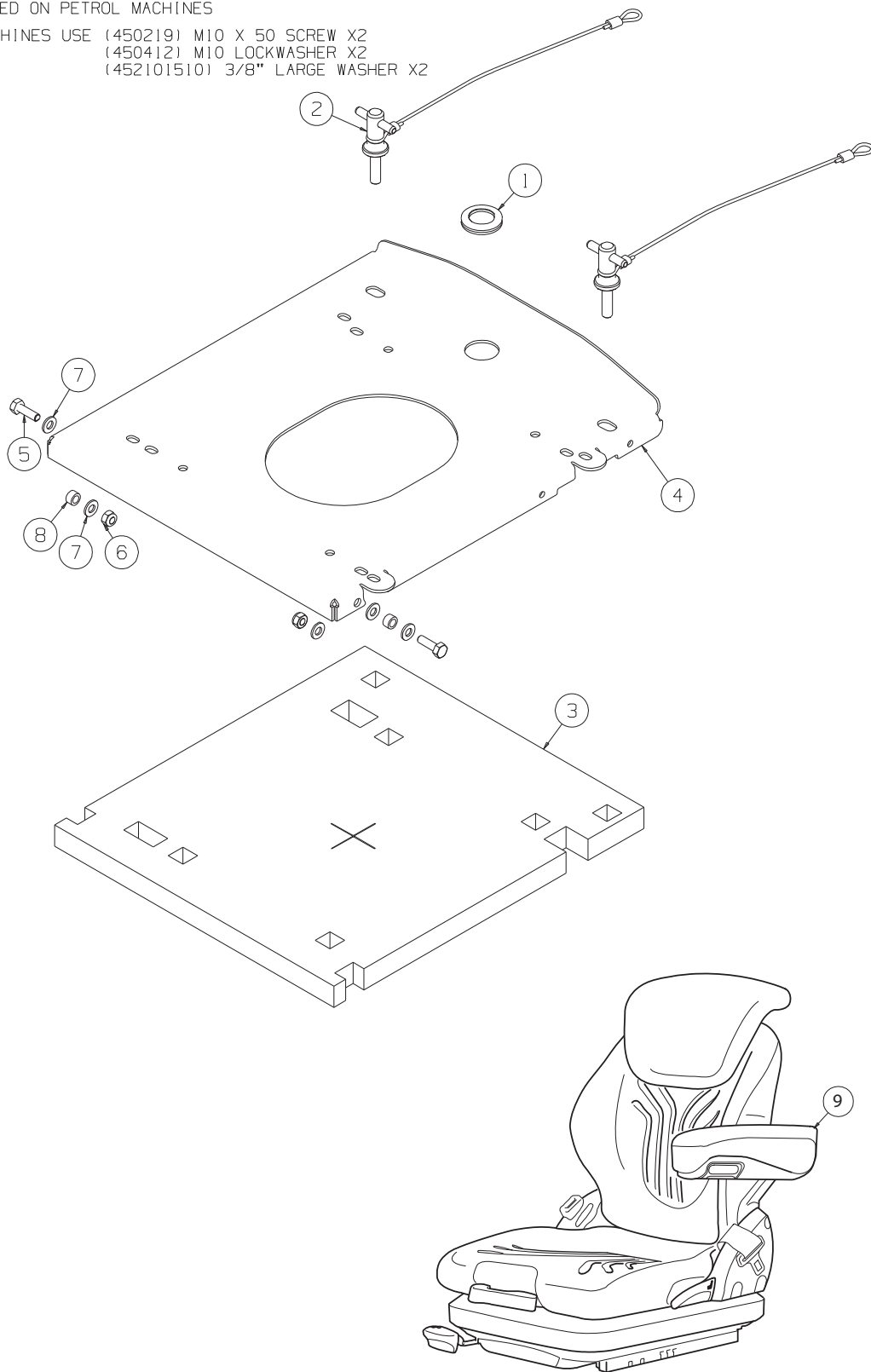
ITEM	PART NO.	DESCRIPTION	QTY.	REMARKS
1	4215580	Mount Seat- MILSCO XB200	1	
2	4197500	MILSCO Seat XB200	1	
	4197520	• Seatbelt - 2" - with fixing kit	1	
	4198020	• Seat Switch - Delta 20068	1	

SEAT (GRAMMER)

Illustration Number: 4209420

NOTE: ONLY FITTED ON PETROL MACHINES

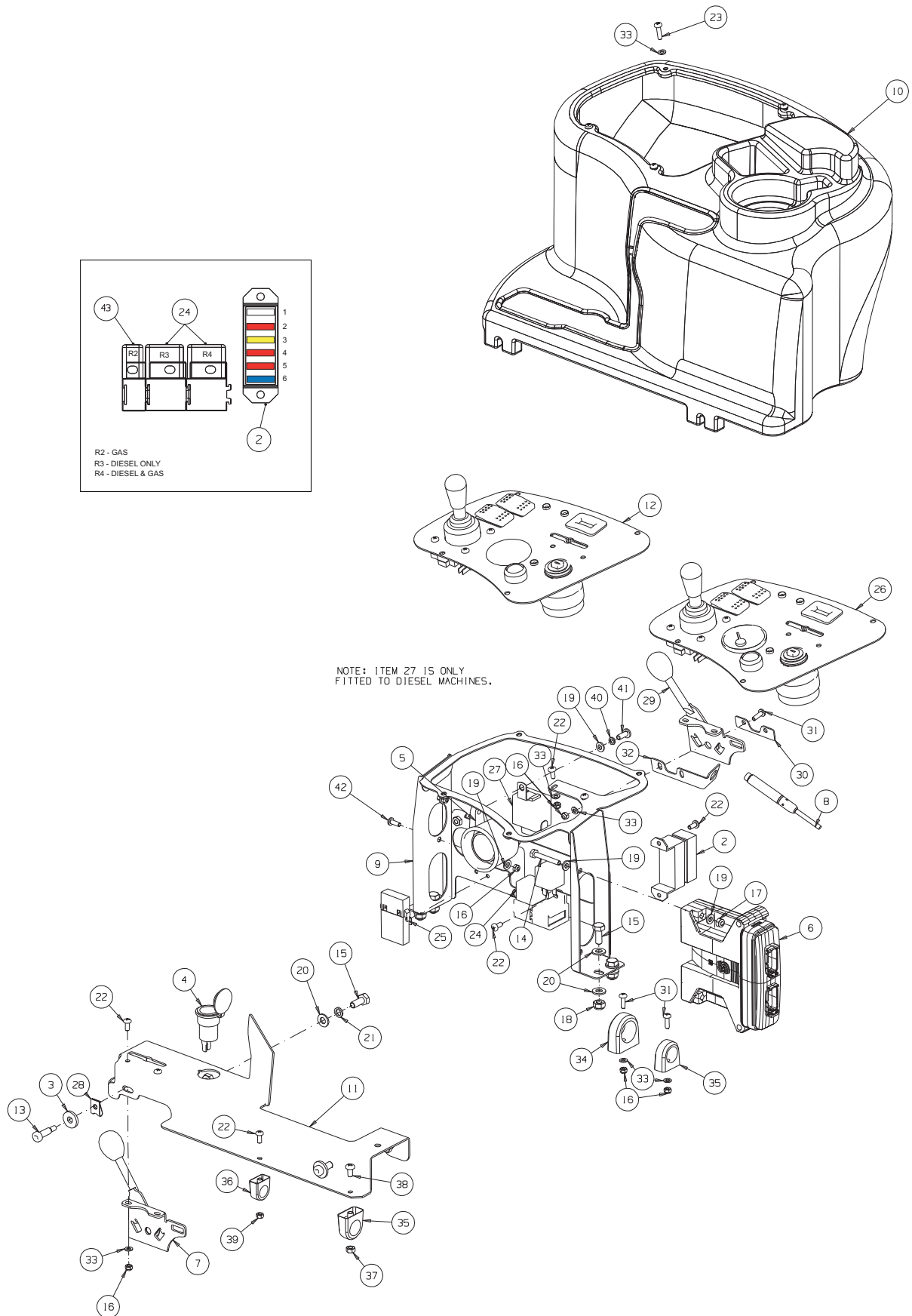
FOR DIESEL MACHINES USE (450219) M10 X 50 SCREW X2
(450412) M10 LOCKWASHER X2
(452101510) 3/8" LARGE WASHER X2



ITEM	PART NO.	DESCRIPTION	QTY.	REMARKS
1	002953320	Diaphragm Grommet	1	
2	4218740	Assy - M10 Bolt with Lanyard	2	
	002720296	• Lanyard	1	
	002720297	• Ring-Crimp	1	
	4139693	• Seat Plate Stud	1	
	451498	• Pin-Spirol 8 x 50	1	
3	4239250	Acoustic-Seat Plate	1	
4	4244584	Seat Plate - MILSCO / MSG65	1	
5	450192	Scrw-Hex M8 x 25	6	
6	450378	Nut-Hex M8 Nyloc	10	
7	450390	Wshr- M8 x 17 x 1.8	17	
8	823332	Bushing	2	
*	4244917	MSG 65 - Hardware + Stop Kit	1	
9	4180700	Seat & Suspension Grammer	1	
*	450411	Lock Washer-M8 X 12.75 X 2	4	
*	450390	Washer-M8 X 17 X 1.8	8	
*	450377	Nut - Hex M6 Nyloc	1	
*	450190	Screw - Hex M8 X 16	4	
*	4243182	MSG 65 - Slide Rail Set	1	
*	4140867	Harness	1	
*	452101510	Washer - 3/8 X 1-1/2 X .104	2	
*	450412	Lock Washer - M10 X 15.9 X 2.5	2	
*	450219	Screw - Hex M10 X 50	2	

INSTRUMENT CONTROL

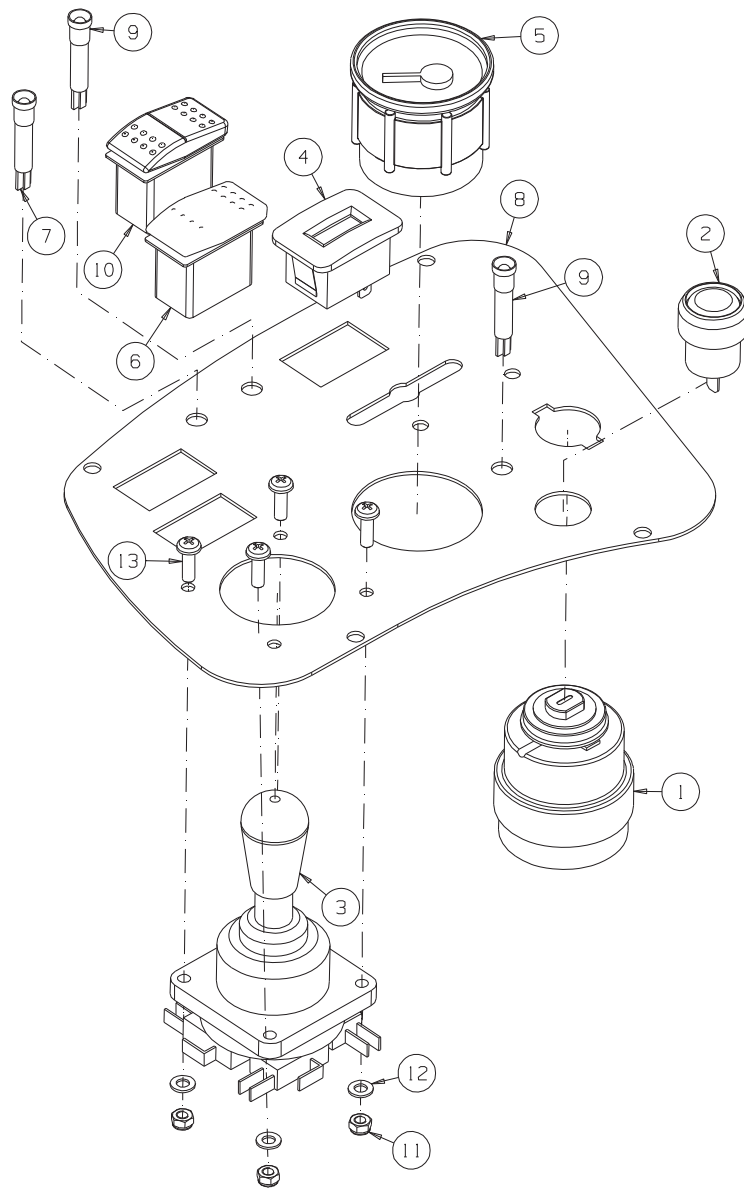
Illustration Number: 4212480g



ITEM	PART NO.	DESCRIPTION	QTY.	REMARKS
1	N/a	Relay Base Single	2	
2	008238350	Fuse Holder	1	
	008233164	• Fuse 10 Amp	1	Air Seat (Red)
	008233180	• Fuse 20 Amp	1	Plus +1 Controller (Yellow)
	008233164	• Fuse 10 Amp	1	PTO Switch (Red)
	008233164	• Fuse 10 Amp	1	Accessory Socket (Red)
	008233172	• Fuse 15 Amp	1	Working Lights (Blue)
3	009072070	Washer - M8 X 22 X 3	2	
4	4138885	Accessory Socket - Large	1	
5	4142655	Horn	1	
6	4263076	Plus+1 Controller	1	C/w GP400 Generic Program
7	4150739	Throttle Cable - Diesel	1	
8	4197063	Inductive Sensor	1	
9	4212483	Weldment - Cradle Frame	1	
10	4245050	Instrument Cover	1	
11	4245052	Weldment - Control Panel Aux Socket	1	
12	4226883	Panel - Instrument Assembly (Gas)	1	
13	4228541	Shoulder Bolt	2	
14	450175	Screw - Hex M6-1.0 X 40	2	
15	450191	Screw - Hex M8-1.25 X 20	6	
16	450376	Nut - Hex M5-0.8, Nyloc	10	
17	450377	Nut - Hex M6-1.0, Nyloc	2	
18	450378	Nut - Hex M8-1.25, Nyloc	4	
19	450389	Washer - M6 X 12.5 X 1.8	7	
20	450390	Washer - M8 X 17 X 1.8	10	
21	450411	Lockwasher - M8 X 12.75 X 2	2	
22	450526	Screw - Pan Hd M5-0.8 X 12	9	
23	450529	Screw - Pan Hd M5-0.8 X 20	4	
24	4175078	Relay (20/40 Amp Change Over)	2	Diesel
*	4175078	Relay (20/40 Amp Change Over)	1	Gas
25	4154600	40 Amp Maxi Fuse	1	Orange
26	4226881	Panel-instrument Assembly (Diesel)	1	
27	840002-1	Timer	1	Diesel Only
28	001394016	Nut-speed M6	1	
29	4227280	Cable-mow / Transport Selector	1	
30	4250730	Plate - Sensor Retainer	1	
31	450528	Screw - Pan Hd M5-0.8 X 16	4	
32	4250630	Bracket - Mode Sensor	1	
33	450388	Washer - M5 X 10 X 1.1	12	
34	4161528	Conduit Clamp-28mm	1	
35	4167144	Conduit Clamp-20mm	2	
36	4161527	Conduit Clamp-16mm	1	
37	450323	Nut - Hex M6-1.0	1	
38	450539	Screw - Pan Hd M6-1.0 X 12	1	
39	450322	Nut - Hex M5-0.8	1	
40	450410	Lockwasher - M6 X 9.6 X 1.5	1	
41	450541	Screw - Pan Hd M6-1.0 X 16	1	
42	450527	Screw - Pan Hd M5-0.8 X 14	2	
43	4175079	Micro Relay 15/25 Amp	1	Gas

INSTRUMENT PANEL (DIESEL)

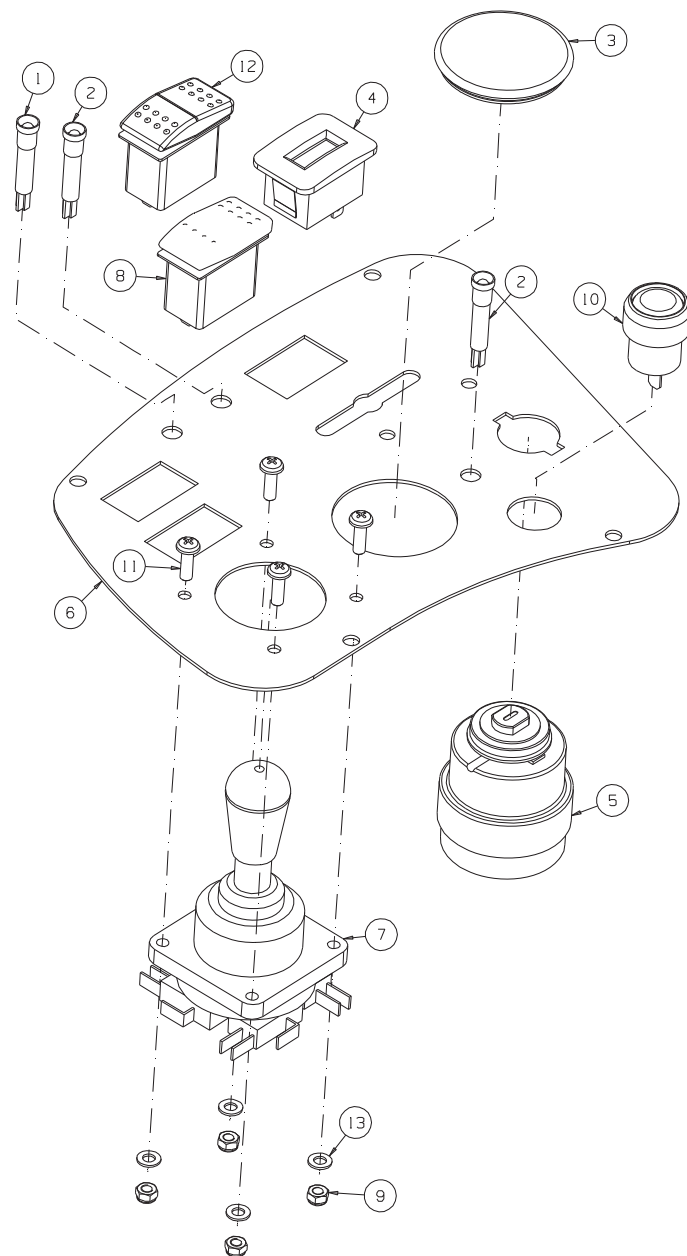
Illustration Number: 4226881



ITEM	PART NO.	DESCRIPTION	QTY.	REMARKS
1	008289120	Ignition Switch	1	
*	4191900	• key	1	
2	008298544	Push Switch (Horn)	1	
3	1004290	Joystick	1	
4	4142708	Hourmeter	1	To S/N GY000709 & GY000712
4	4274659	Hourmeter	1	From S/N GY000710 & GY000713
*	4274930	Adapter for new Hour Meter	1	
5	4152717	Gauge-Temp	1	
6	4159102	Mow / Reel Switch (Yellow)	1	
7	4212121	Cut Active Indicator Led	1	
8	4226884	Inst-Panel GP400	1	
9	4230900	Filter Block Indicator Led	2	
10	4237083	Switch (Black)	1	
11	450376	Nut-Hex M5 Nyloc	4	
12	450388	Wshr-M5 x 10 x 1.1	4	
13	450528	Scrw-Pan HD M5 x 16	4	
		Harnesses/Leads - Diesel		
*	4263150	Main Harness-GP400 Common	1	
*	4227640	Worklamp Harness	1	
*	4227642	Engine Harness	1	
*	4230901	Lead Battery Positive	1	
*	4230902	Lead Battery Negative	1	
*	4175141	Rubber Boot - Black	1	

INSTRUMENT PANEL (GAS)

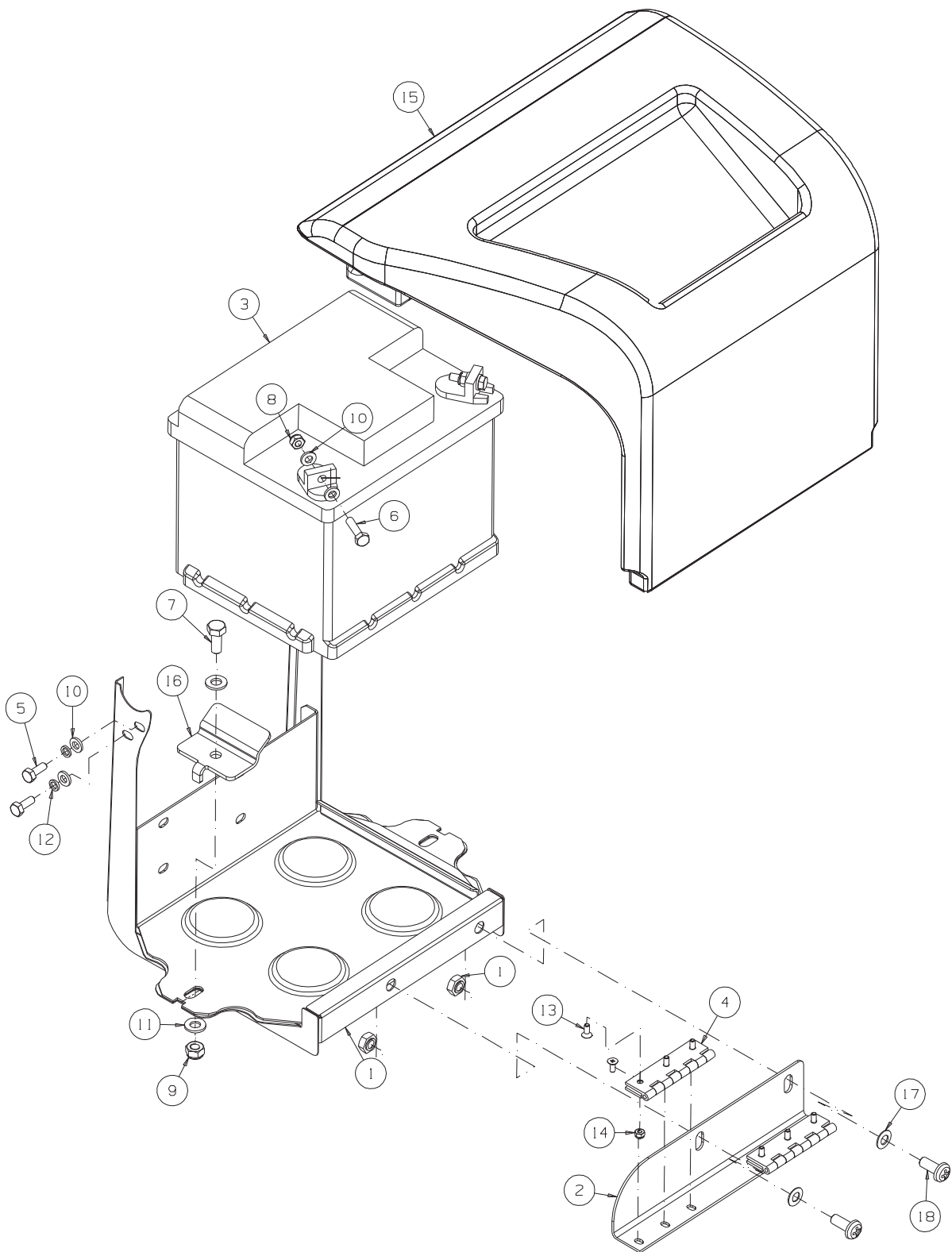
Illustration Number: 4226883



ITEM	PART NO.	DESCRIPTION	QTY.	REMARKS
1	4212121	Cut Active Indicator LED	1	
2	4230900	Filter Block Indicator LED	1	
3	4230903	Grommet	1	
4	4142708	Hourmeter	1	To S/N GZ000355 & 6270600480
4	4274659	Hourmeter	1	From S/N GZ000356 & 6270600481
*	4274930	Adapter for new Hour Meter	1	
5	008289120	Ignition Switch	1	
*	4191900	• key	1	
6	4226884	Inst-Panel GP 400	1	
7	1004290	Joystick	1	
8	4159102	Mow / Reel Switch (Yellow)	1	
9	450376	Nut-Hex M5 Nyloc	4	
10	008298544	Push Switch (Horn)	1	
11	450528	Scrw-Pan HD M5 x 16	4	
12	4237083	Switch (Black)	1	
13	450388	Wshr-M5 x 10 x 1.1	4	
		Harnesses/Leads - Gas		
*	4239262	Main Harness-GP400 Common	1	
*	4227640	Worklamp Harness	1	
*	4227641	Engine Harness	1	
*	4230901	Lead Battery Positive	1	
*	4230902	Lead Battery Negative	1	
*	4175141	Rubber Boot - Black	1	

BATTERY

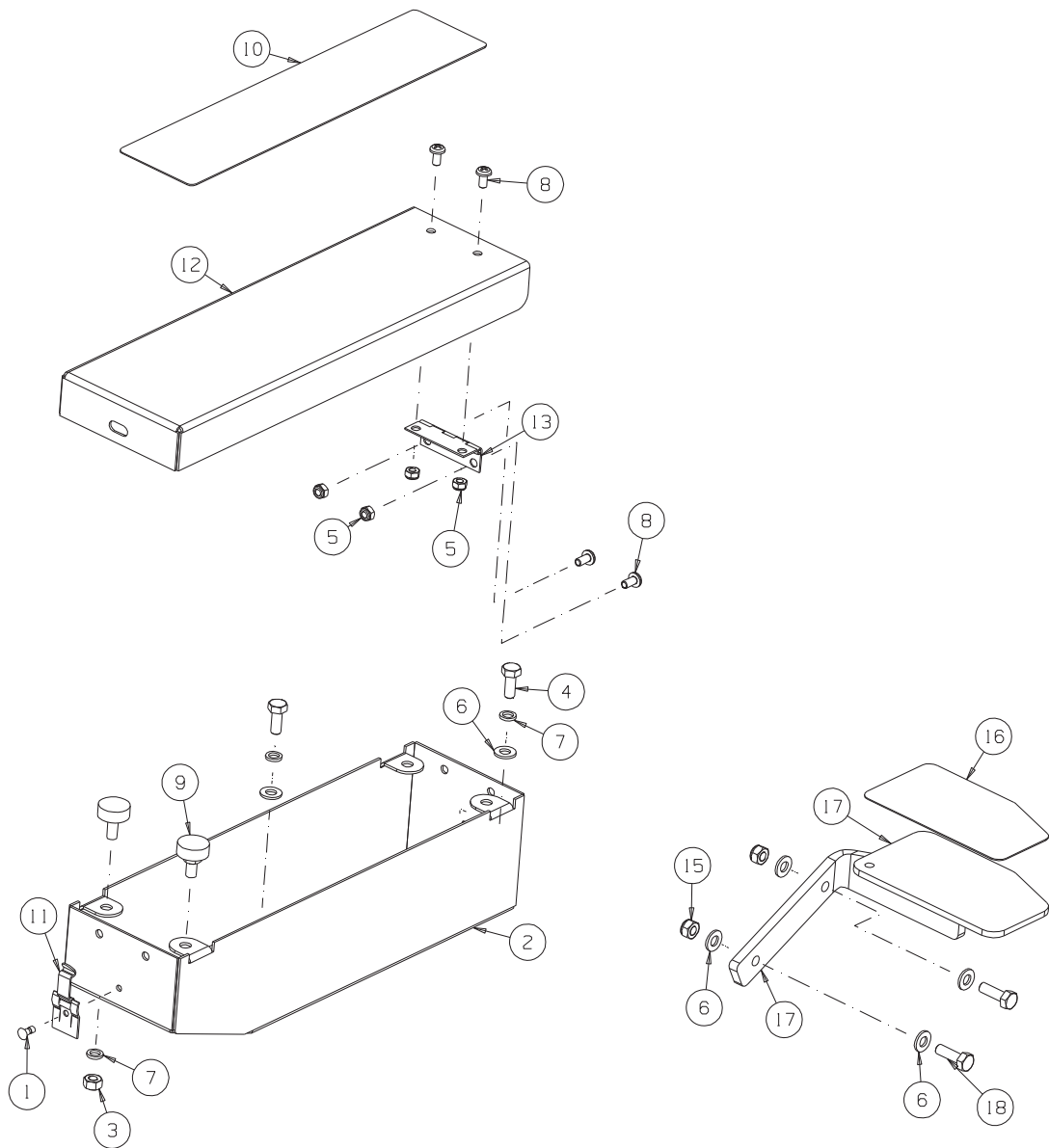
Illustration Number: 4218940



ITEM	PART NO.	DESCRIPTION	QTY.	REMARKS
1	4214680	Wldmt-Battery Tray	1	
2	4232840	Hinge Plate Batt.Cov.	1	
3	008230310	Battery-Type 093	1	
4	4217384	Hinge-Storage Box	4	
5	450170	Scrw-Hex M6 x 16	4	
6	450172	Scrw-Hex M6 x 25	2	
7	450191	Scrw-HexM8 x 20	1	
8	450377	Nut-Hex M6 NYLOC	2	
9	450378	Nut-Hex M8 NYLOC	1	
10	450389	Wshr-M6 x 12.5 x 1.8	8	
11	450390	Wshr-M8 x 17 x 1.8	2	
12	450410	Lockwshr-M6 x 9.6 x 1.5	4	
13	450593	Scrw-CSK M4 x 10	12	
14	452717	Nut-Hex M4 Nyloc	6	
15	4215221	Battery Cover	1	
16	4132871	Battery Clamp	1	
17	002920501	Sprng-Disc 8.2 x 16 x 0.9	2	
18	450552	Scrw Pan-HD M8 x 20	2	

TOOLBOX/STEP

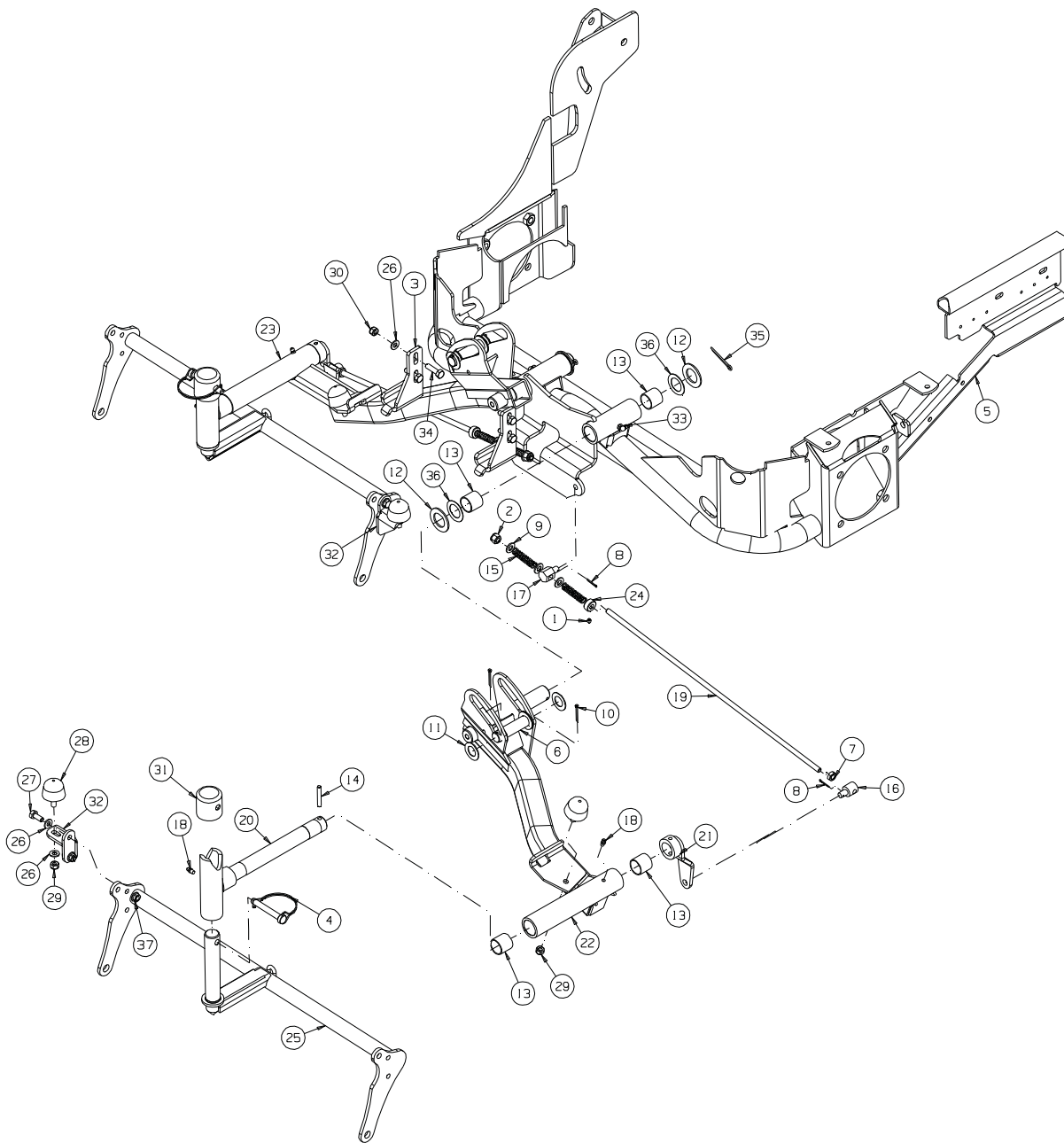
Illustration Number: 4226460



ITEM	PART NO.	DESCRIPTION	QTY.	REMARKS
1	001496044	Rivet-Pop 4.8 x 12	1	
2	4164620	Toolbox-Base	1	
3	450120021	Nut-Hex 5/16-18	2	
4	450191	Scrw-Hex M8 x 20	2	
5	450377	Nut-Hex M6 NYLOC	4	
6	450390	Wshr-M8 x 17 x 1.8	6	
7	450411	Lockwshr-M8 x 12.75 x 2	4	
8	450539	Scrw-Pan HD M6 x 12	4	
9	523224	Bumper-Rubber	2	
10	523169	Tread, Toolbox	1	
11	835039	Fastner-Snap	1	
12	840171.07	Cover-Box	1	
13	840172	Hinge	1	
15	450378	Nut-Hex M8 Nyloc	2	
16	MBG4795	Pad-Step LH	1	
17	4238889	Wldmt-Foot Step	1	
18	450192	Scrw-Hex M8 x 25	2	

FRONT LIFT GROUP

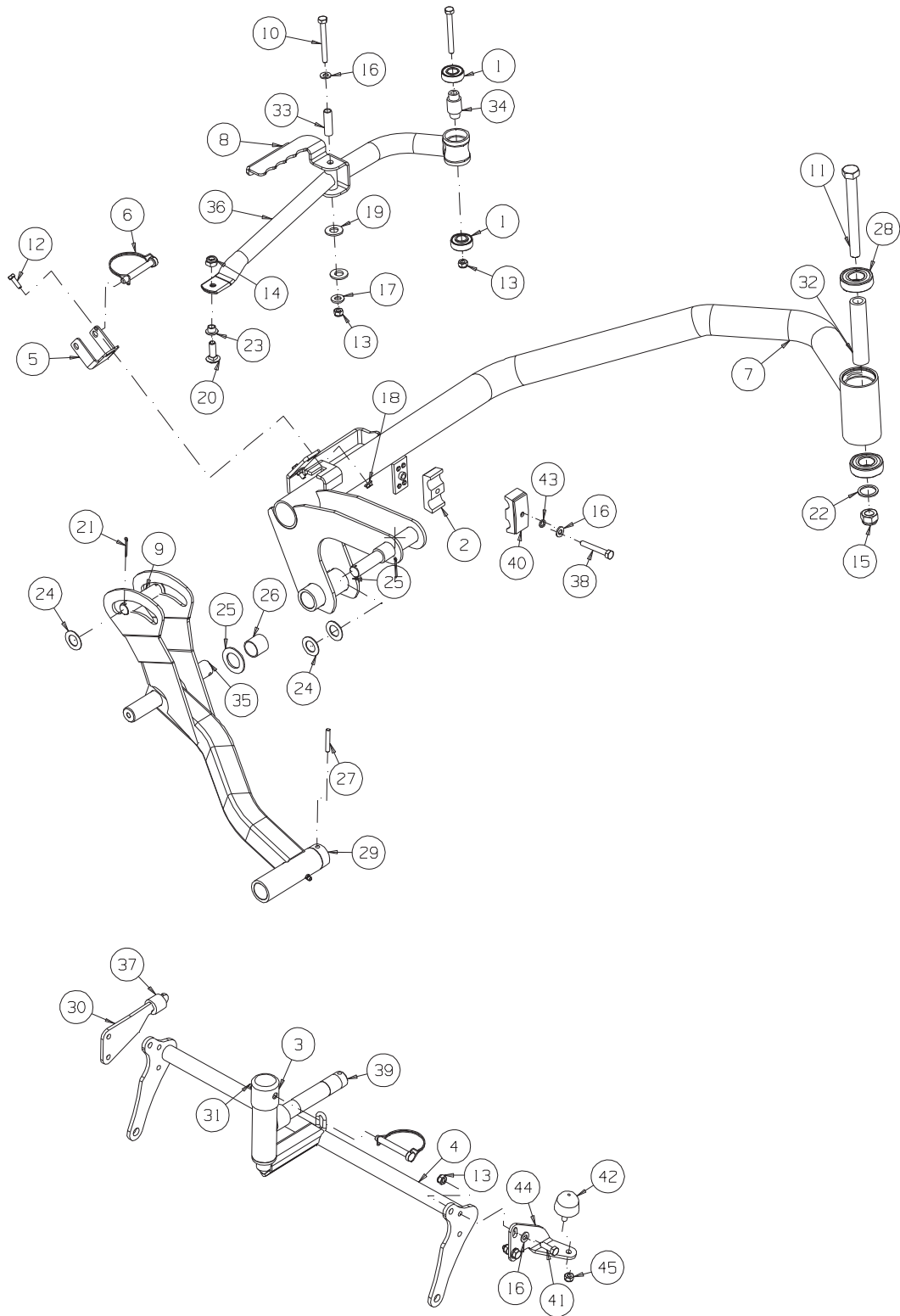
Illustration Number: 4146376



ITEM	PART NO.	DESCRIPTION	QTY.	REMARKS
1	001290379	Screw - Set 1/4-20 x 1/4	2	
2	001399105	Nut-Hex 3/8-24 Nyloc	2	
3	4143905	Front Bumper Bracket	2	
4	4183344	Pin-Lynch 0.375" x 2.75"	2	
5	4218440	Wldmt-Chassis GP400	1	
6	4237382	Cylinder Pivot	4	
7	450020265	Nut-Hex 3/8-24 Thin	2	
8	451225	Split Pin - 2.5 x 20	4	
9	452000326	Wshr-3/8 x 3/4 x 0.072	14	
10	454000297	Split Pin - 1/8 x 1-1/4	8	
11	548168	Washer	14	
12	548173	Wshr-1 x 1-3/4 x 0.1	4	
13	4137197	Oilite Bush	8	
14	001490870	Pin-Spirol 1/4" x 1-3/4"	2	
15	814499	Spring, Parking Brake	4	
16	839181	Pin, Rod Connecting	2	
17	841203	Pin, Rod Connecting	2	
18	002993013	Lubricator-M6 Straight	4	
19	842471	Rod Threaded 38-24	2	
20	892175	Pivot - Fronthead Steering	2	
21	893787	ArmAY, Link	2	
22	893857.07	Arm AY, LH Front Lift	1	
23	893858.07	Arm AY, RH Front Lift	1	
24	MBF0654A	Set Collar	2	
25	4154140	Frame AY, Head Steering	2	
26	450390	Washer-M8 x 17 x 1.8	4	
27	456110189	Screw-Hex 5/16-18 x 3/4	4	
28	523126	Bumper, Rubber	4	
29	001393222	Nut-Hex 5/16-18 Nyloc	4	
30	450378	Nut-Hex M8 Nyloc	4	
31	4126779	Cap	2	
32	841466.06	Bracket-Bumper Frt	2	
33	002993160	Lubricator-M6 x 90 Deg	2	
34	450193	Screw-Hex M8 x 30	4	
35	454000572	Split Pin-3/16 x 1 3/4	2	
36	001593072	Wshr-Thrust 1 x 1.562 x 0.030/0.032	4	
37	001393010	Nut-Hex 5/16-18 Whiz	4	

REAR SWING ARM

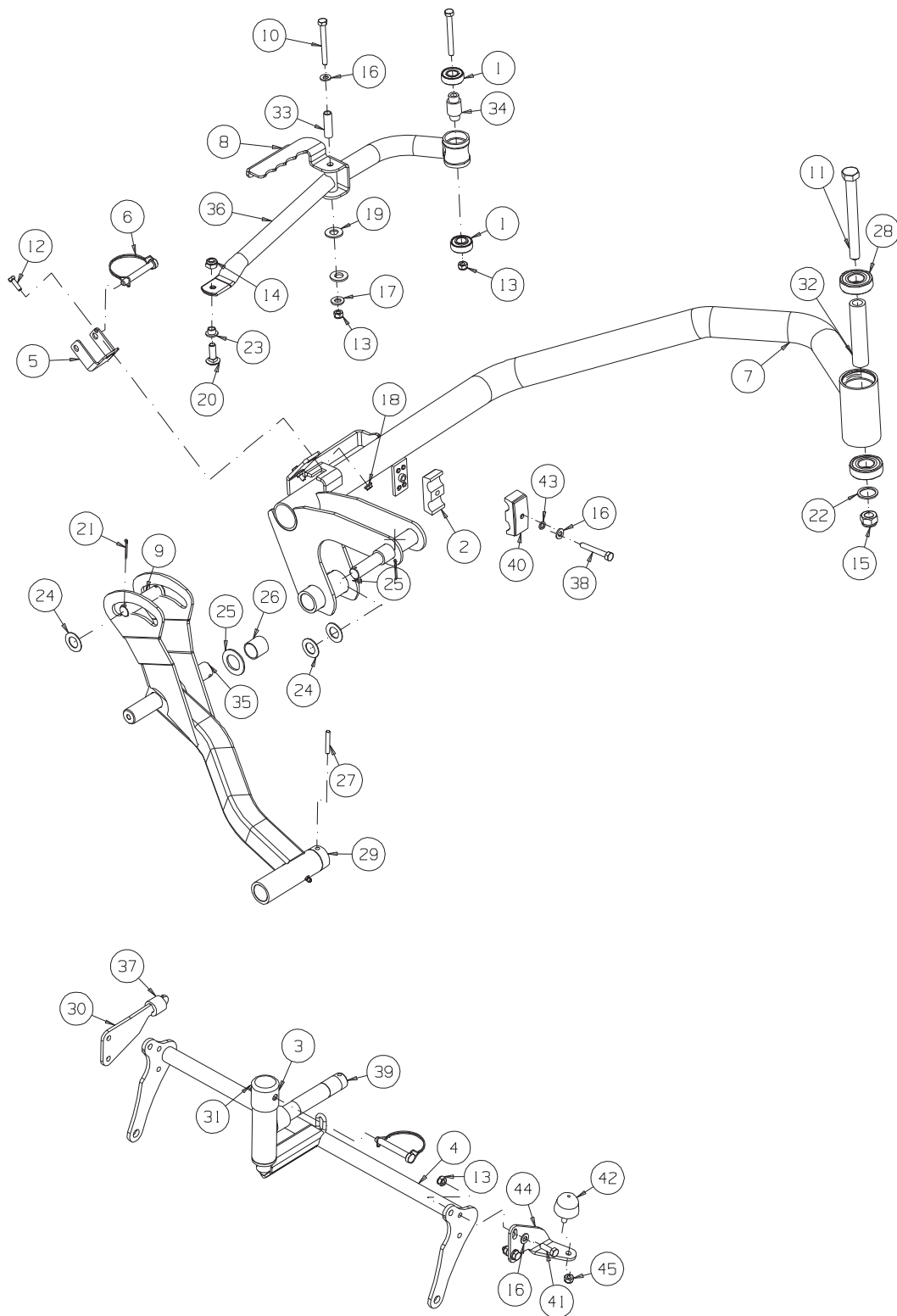
Illustration Number: 4233941



ITEM	PART NO.	DESCRIPTION	QTY.	REMARKS
1	839063	Bearing,Ball 1.38 OD X.63 ID	2	
2	2208139	5/8 Bore Hose Clamp	1	
3	4126779	Rubber Cap	1	
4	4154140	Frame AY, Head Steering	1	
5	4159561	Brkt-Latch Lock	1	
6	4183344	Pin-Lynch 0.375" x 2.75"	2	
7	4233921	Wldmt - Arm, Swing	1	
8	4237343	Wldmt-Pivot Arm	1	
9	4237382	Cylinder Pivot	1	
10	450023	Bolt-Hex M8 x 75	2	
11	450083	Bolt-Hex M16 x 150	1	
12	456110016	Scrw-Hex 1/4-20 x 3/4	2	
13	450378	Nut-Hex M8 Nyloc	2	
14	450379	Nut-Hex M10 Nyloc	2	
15	450382	Nut-Hex M16 Nyloc	1	
16	450390	Wshr-M8 x 17 x 1.8	1	
17	450391	Wshr-M10 x 21 x 2.2	1	
18	450452	Nut-Hex M6 Verbus Ripp	2	
19	452101285	Wshr-1/2 x 1-1/8 x 0.104	2	
20	452586	Bolt-CRG M10 x 30	1	
21	454000297	Split-Pin- 1/8 x 1-1/4	3	
22	522840	Wshr-Thrust 1 x 1.281 x 0.083	1	
23	524215	Bushing, Turf Guard	1	
24	548168	Washer	7	
25	548173	Wshr-1 x 1-3/4 x 0.1	2	
26	4137197	Oilite Bush	4	
27	001490870	Pin-Spirol 1/4" x 1-3/4"	1	
28	832499	Brg-Ball 0.98 x 2.05 x 0.59	2	
29	839410	Bushing, Spring Stop	1	
30	4303533	Brkt - Unit Stop	1	
31	842000044	Lubricator-1/4" STR	2	
32	843181	Spacer, Bearing	1	
33	843185	Bushing Pivot	1	
34	843195	Spacer, Bearing	1	
35	893856.07	Arm AY, Centre Lift	1	
36	894141.06	Link ASM - Arm	1	
37	517163	Spacer, .891 (23mm)	2	
38	450019	Bolt-Hex M8 x 55	1	
39	893859	Pivot AY, Rear Head (PLATED)	1	
40	009079310	Top Plate-Tube Clamp	1	
41	450192	Scrw-Hex M8 x 25	4	
42	523126	Bumper, Rubber	1	
43	450411	Lockwshr-M8 x 12.75 x 2	1	

REAR SWING ARM

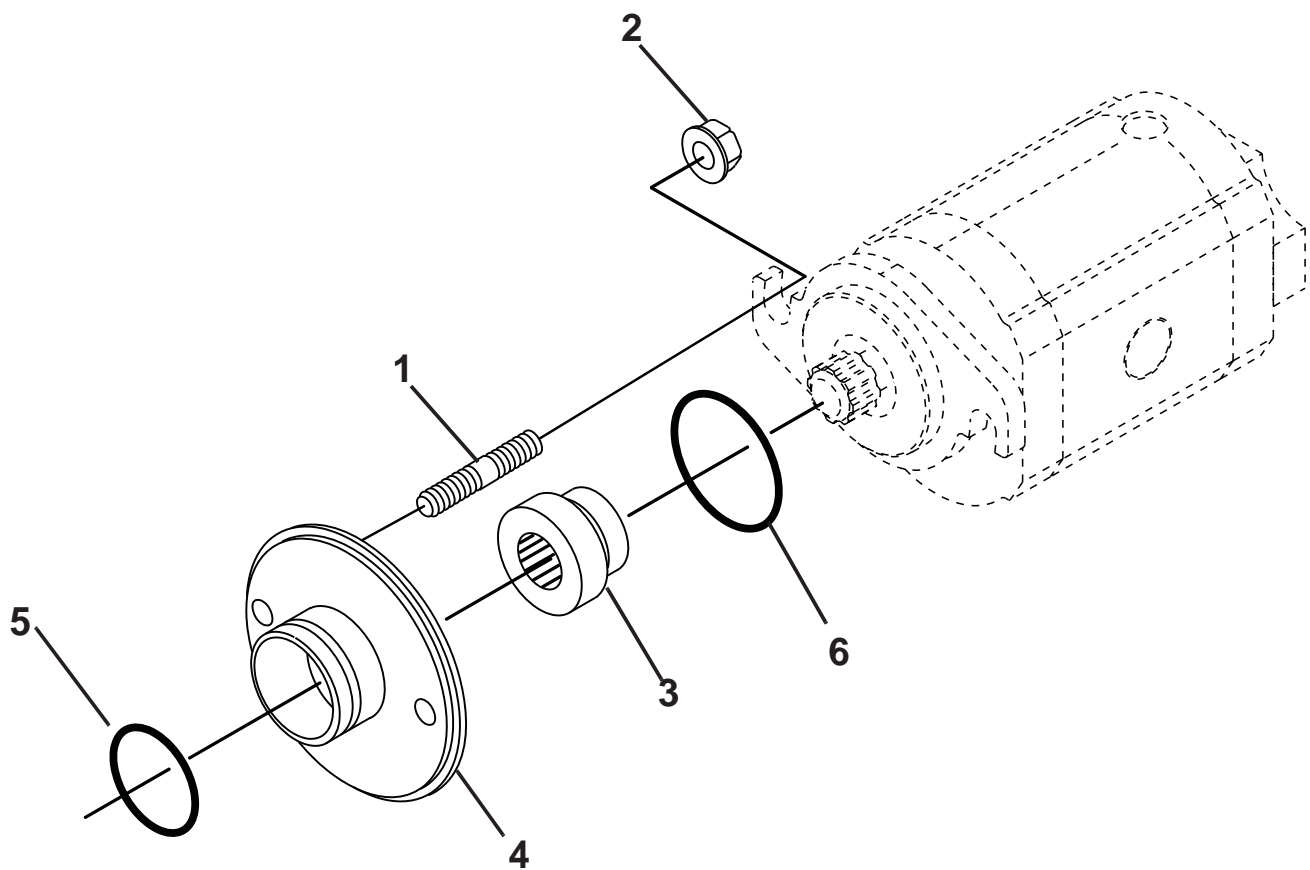
Illustration Number: 4233941



ITEM	PART NO.	DESCRIPTION	QTY.	REMARKS
44	4261950	Mount-LH Rear Frame Stop	1	
45	001393222	Nut-Hex 5/16-18 Nyloc	1	
*	002993013	Lubricator-M6 Straight	1	
*	838476	Latch, Draw	1	
*	4265291	Control lever Grip - Red	1	

CLASSIC XP MOTOR MOUNTING

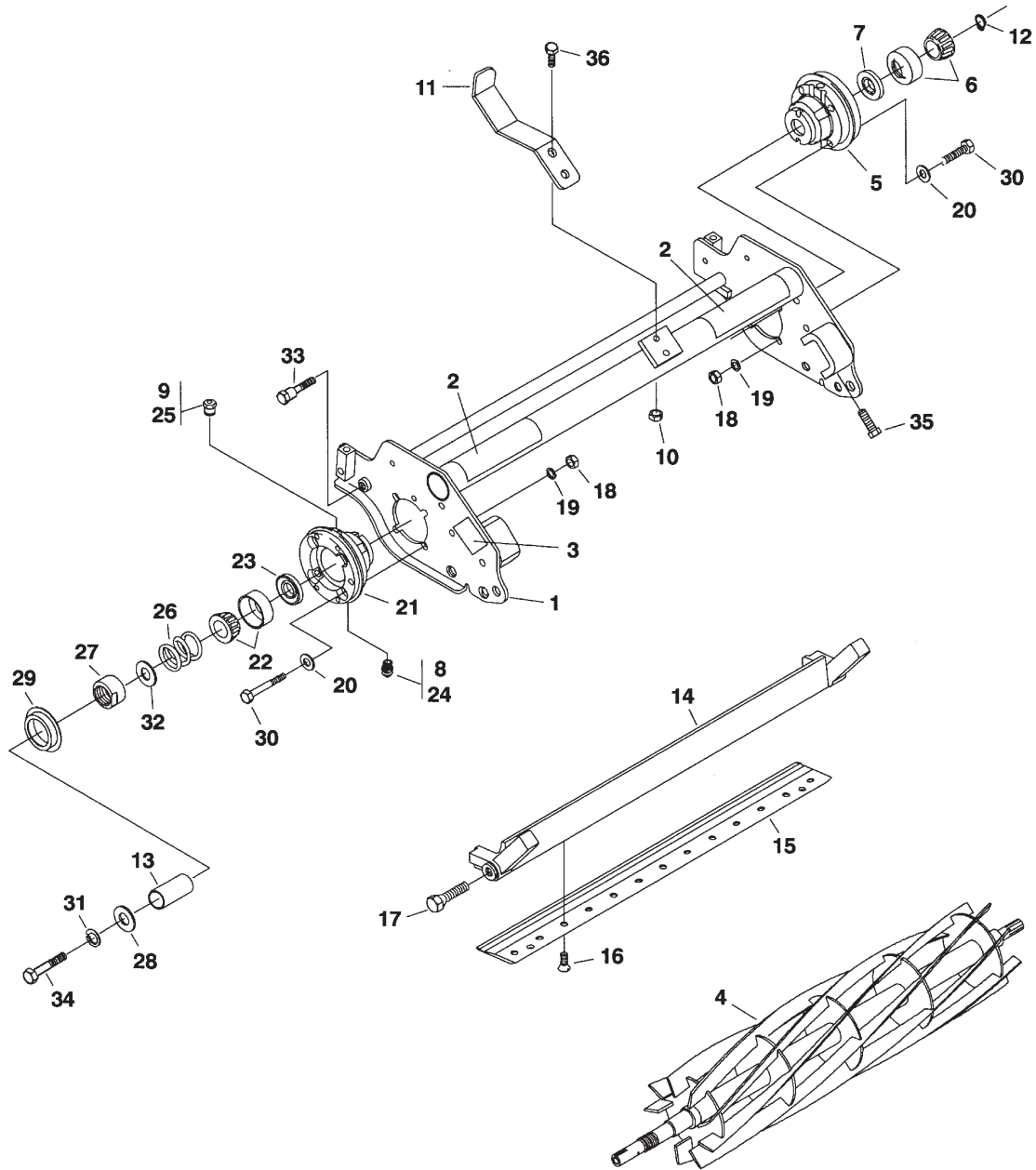
Illustration Number: MOTOR_MOUNTING_KIT



ITEM	PART NO.	DESCRIPTION	QTY.	REMARKS
1	894991	Reel Motor Adaptor Kit	1	
2	800904	• Stud	2	
3	001393010	• Nut, Hex 5/16 Whiz	2	
4	4247911	• Coupling, Drive	1	
5	845278	• Adaptor Plate	1	
6	845279	• Seal, O Ring 1.49 ID x 0.07	1	
	845280	• Seal, O Ring 1.99 ID x 0.07	1	

CLASSIC XP CUTTING HEAD

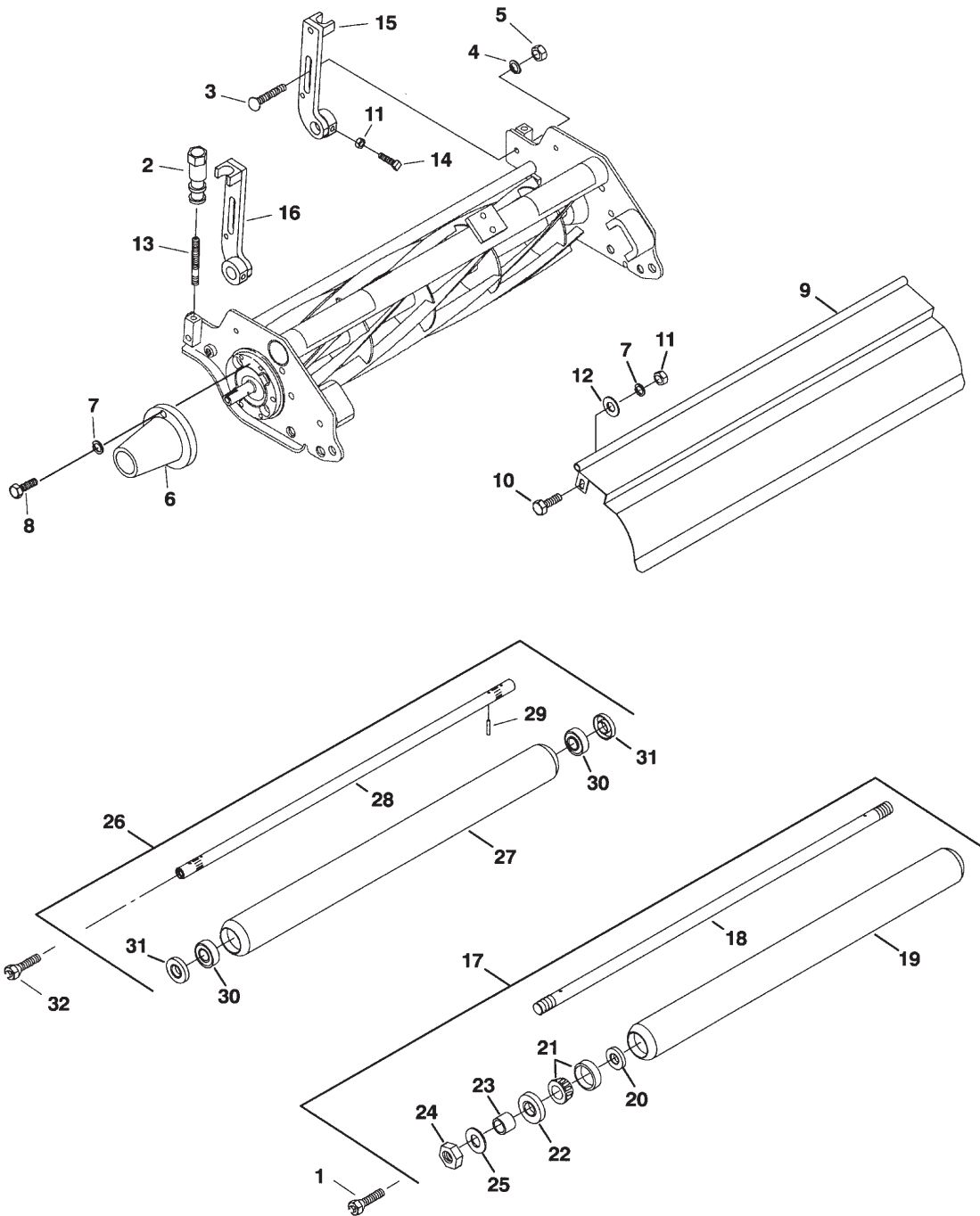
Illustration Number: Cutting Head 067135-36-37



ITEM	PART NO.	DESCRIPTION	QTY.	REMARKS
1	5003577	Frame, Reel	1	
2	361877	• Decal, Danger	2	
3	1000997	• Decal, Warning	1	
4	5003053	7 Blade Reel 67037 Only	1	
4	5001099	9 Blade Reel 67038 Only	1	
4	5001101	11 Blade Reel 67024 Only	1	
5	1004756	Bearing Housing	1	
6	500534	• Bearing, Cup and Cone	1	
7	336962	• Seal, Grease	1	
8	471214	• Lubricator	1	
9	471240	• Fitting, Vent	1	
10	445795	• Locknut, 15/16-18 Spirallock	2	
11	3010293	Stop, Mower	1	
12	458013	Snap Ring	1	
13	367164	Spacer	1	
14	5000415	Bedknife Backing	1	
15	5002771	Bedknife, Fairway	1	7 Blade
	503477	Bedknife, High Profile	1	9 & 11 Blade
	503478	Bedknife, Low Profile	1	9 & 11 Blade
	503479	Bedknife, Tournament	1	9 & 11 Blade
16	3009138	Screw, 1/4-20 x 1/2" Flat Head	13	
17	315298	Bolt, 7/16 x 3/4"	2	
18	446136	Lock Washer 5/16"	8	
19	443106	Nut, 5/16-18 Hex	8	
20	453009	Flat Washer, 5/16	4	
21	1000480	Bearing Housing	1	
	2000060	• Housing	1	
22	500534	• Bearing, Cup and Cone	1	
23	336962	• Seal, Grease	1	
24	471214	• Grease Fitting	1	
25	471240	• Vent Fitting	1	
26	5002151	Spring, Compression	1	
27	364900	Nut, Reel	1	
28	453011	Flat Washer, 3/8	1	
29	163892	Seal	1	
30	400192	Screw, 5/16-18 x 1-1/2" Hex Head	8	
31	446142	Lock Washer, 3/8 Heavy	1	
32	304745	Washer	1	
33	365246	Bolt, Shoulder	1	
34	400294	Screw, 3/8-24 x 1" Hex Head	1	
35	412503	Screw, 3/8-16 x 1-1/4"	4	Square Head
36	400184	Screw, 5/16-18 x 3/4" Hex Head	2	

CLASSIC XP REAR ROLLERS

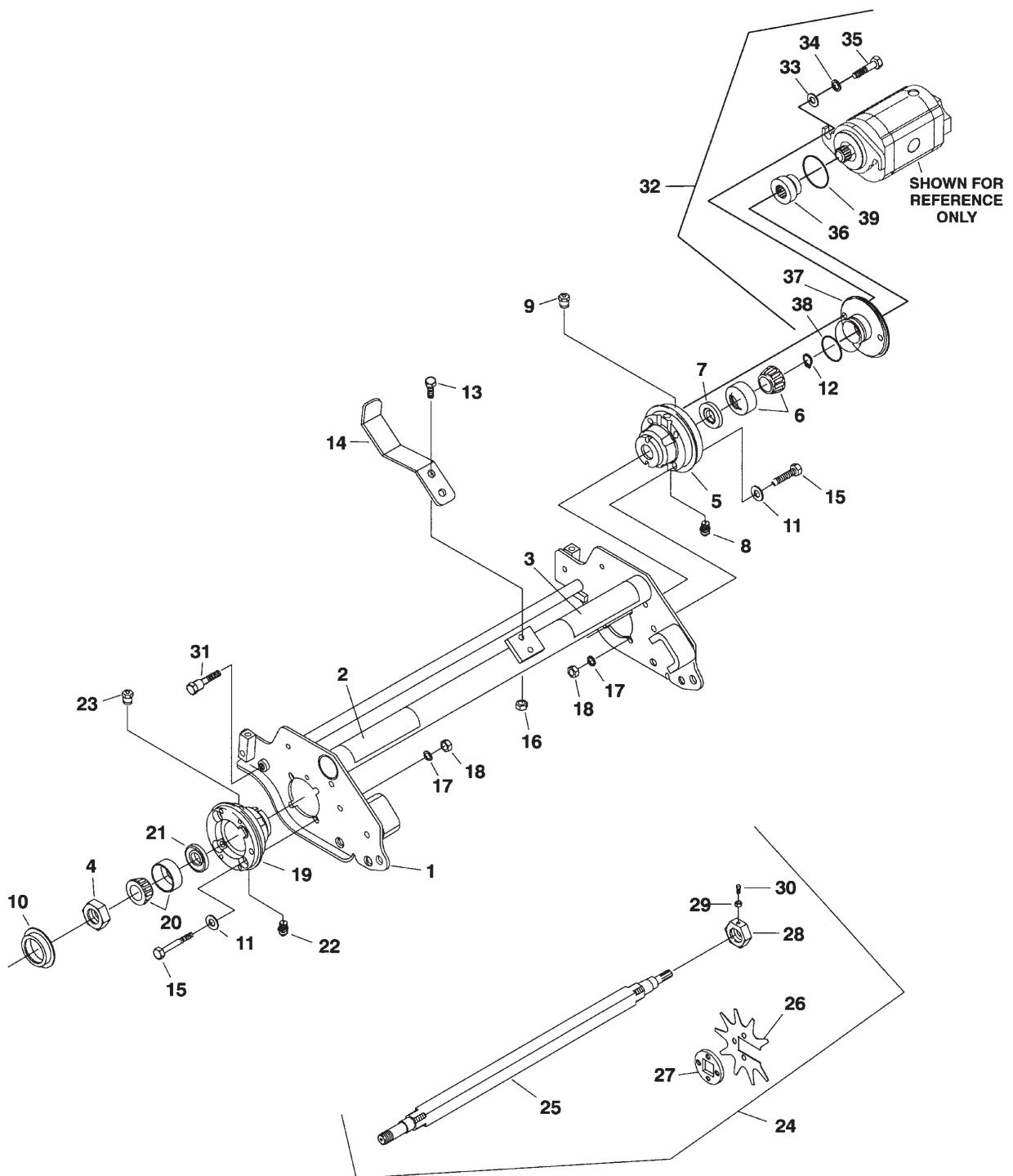
Illustration Number: Rear Rollers for 067135-36-37



ITEM	PART NO.	DESCRIPTION	QTY.	REMARKS
1	1002224	Zerk Bolt	2	
2	3005692	Knob, Front Roller Adjusting	2	
3	441674	Carriage Bolt, 5/16-18 x 1-3/4"	2	
4	446136	Lock Washer, 5/16"	2	
5	443106	Nut 5/16-18	2	
6	2000065	Casting, Counterweight	1	
7	446130	Lock Washer, 1/4 Heavy	4	
8	400110	Screw, 1/4-20 x 7/8" Hex Head	2	
9	2810043	Shield, Reel	1	
10	400018	Screw, 1/4-20 x 3/4"	2	
11	443102	Nut, 1/4-20 Hex	4	
12	453023	Washer, 1/4	2	
13	343616	Stud	2	
14	352737	Screw, 1/4-20 x 7/8" Square Head	2	
15	3008438	Roller Bracket, Right Side	1	
16	3008439	Roller Bracket, Left Side	1	
17	1000770	Roller, Rear	1	7 Blade Reels
18	3001654	• Shaft, Roller	1	
19	3001655	• Tube, Roller	1	
20	3001656	• Seal	2	
21	5000625	• Bearing	2	
22	300983	• Seal	2	
23	3001762	• Sleeve	2	
24	445718	• Locknut 5/16"	2	
25	3000698	• Washer	2	
26	162916	Roller, Rear	1	9 & 11 Blade Reels
27	5002814	• Tube, Roller	1	
28	345369	• Shaft, Roller	1	
29	461359	• Pin, Roll, 1/8" x 3/4"	2	
30	303558	• Bearing	2	
31	305115	• Seal	2	
32	1002226	Zerk Bolt	2	
	158568	Gauge, Bedknife (Not Swown)	1	

VERTICUT HEAD

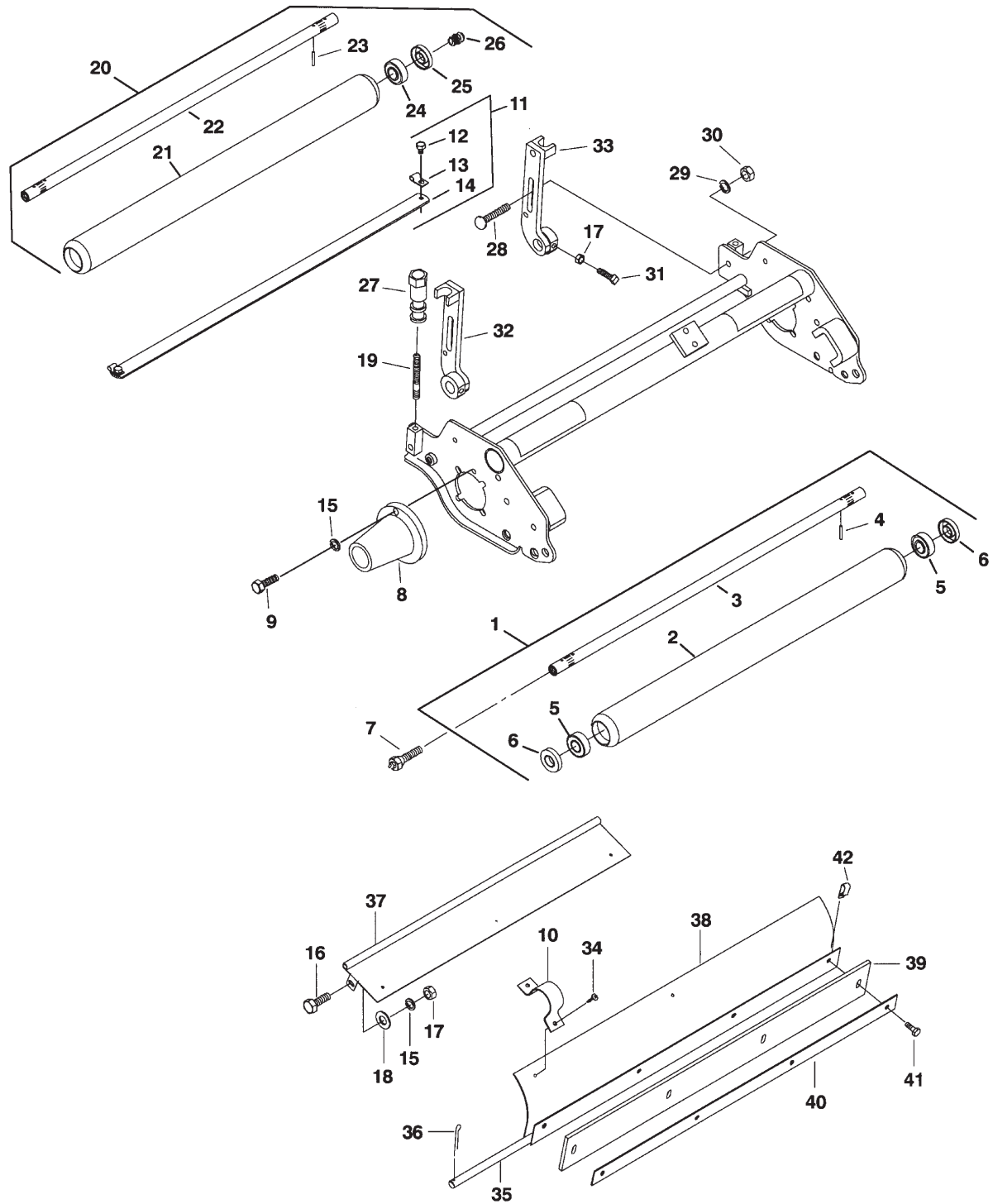
Illustration Number: 067138



ITEM	PART NO.	DESCRIPTION	QTY.	REMARKS
1	5002577	Frame, reel	1	
2	361877	• Decal, danger	2	
3	351738	• Decal, caution	1	
4	444742	Locknut, 3/4-16 hex jam	1	
5	1004756	Housing, bearing	1	
6	500534	• Bearing, cup and cone	1	
7	336962	• Seal, grease	1	
8	471214	• Fitting, grease	1	
9	471240	• Fitting, vent	1	
10	1003467	Seal	1	
11	453009	Washer, 5/16"	4	
12	458013	Ring, snap	1	
13	400184	Screw, 5/16-18 x 3/4"	2	
14	3010293	Stop, mower	1	
15	400192	Screw, 5/16-18 x 1 1/2"	8	
16	445795	Nut, 5/16-18 spiralock flange	2	
17	446136	Lock Washer, 5/16"	8	
18	443106	Nut, 5/16-18	8	
19	1000480	Housing, bearing	1	
	2000060	• Housing	1	
20	500534	• Bearing, cup and cone	1	
21	336962	• Seal, grease	1	
22	471214	• Fitting, grease	1	
23	471240	• Fitting, vent	1	
24	1002560	Vertical mower	1	
25	131161	• Assembly, shaft and collar	1	
26	335449	• Blade	26	
27	352221	• Spacer, blade	77	
28	352437	• Nut, blade clamp	1	
29	443106	• Nut, 5/16-18	1	
30	412017	• Screw, 5/16-18 x 3/4", square head	1	
31	365246	Bolt, shoulder	2	
32	894991	Kit, motor adapter	1	Must have to mount vertical mower
33	103867	• Washer, 5/16	2	
34	306325	• Lock Washer, 5/16	2	
35	306501	• Screw, 5/16-18 x 1 1/2"	2	
36	337370	• Coupling, drive	1	
37	845278	• Adapter, motor	1	
38	845279	• Seal, o-ring, 1.49 i.d. x .07	1	
39	845280	• Seal, o-ring, 1.99 i.d. x .07	1	

REAR ROLLER & SCRAPER VERTICUT

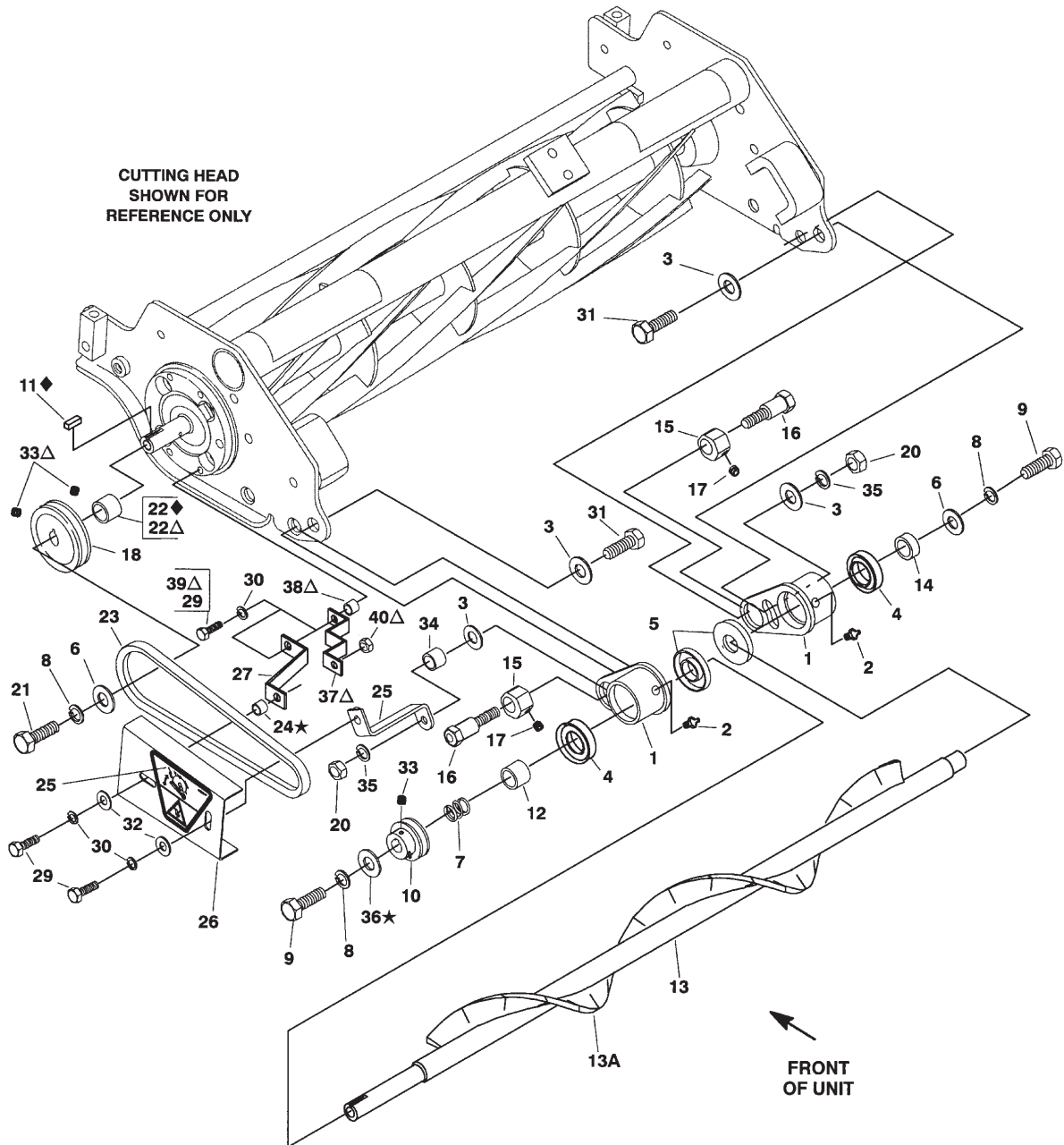
Illustration Number: 067138



ITEM	PART NO.	DESCRIPTION	QTY.	REMARKS
1	1004990	Roller, rear	1	
2	5002814	• Tube, roller	1	
3	3010422	• Shaft	1	
4	461359	• Pin, roll, 1/8 x 3/4"	2	
5	3010712	• Bearing	2	
6	3010286	• Seal	2	
7	1002224	Zerk bolt	2	
8	2000065	Casting, counterweight	1	
9	400110	Screw, 1/4-20 x 7/8"	2	
10	351520	Clip	3	
11	102024	Scraper, front roller	1	
12	407586	• Screw, 1/4-20 x 5/8", pan head	2	w/Lock Washer
13		• Clamp	2	Not Serviced
14		• Bar, scraper	2	Not Serviced
15	446130	Lock Washer, 1/4"	4	
16	404018	Screw, truss head, 1/4-20 x 3/4"	2	
17	443102	Nut, 1/4-20	4	
18	453023	Washer, 1/4	2	
19	343616	Stud	2	
20	1004991	Roller, front	1	
21		• Tube, roller	1	Not Serviced
22	3010621	• Shaft	1	
23	461359	• Pin, roll, 1/8 x 3/4"	2	
24	3010712	• Bearing	2	
25	3010286	• Seal	2	
26	471214	• Fitting, grease	2	
27	3005692	Knob, front roller adjusting	2	
28	441674	Bolt, carriage, 5/16-18 x 1 3/4"	2	
29	446136	Lock Washer, 5/16	2	
30	443106	Nut, 5/16-18	2	
31	352737	Screw, square head, 1/4-20 x 7/8"	2	
32	3008438	Bracket, roller	1	
33	3008439	Bracket, roller	1	
34	409020	Screw, #10 x 3/8", self tap, slotted	6	
35	351521	Rod	1	
36	460026	Pin, cotter	2	
37	3009922.6	Shield, front grass	1	
38	3005373.6	Shield, rear grass	1	
39	351522	Scraper	1	
40	351526	Retainer, scraper	1	
41	400106	Screw, 1/4-20 x 5/8"	4	
42	445260	Nut, speed	4	

ACCESSORY - ROTARY REAR BRUSH

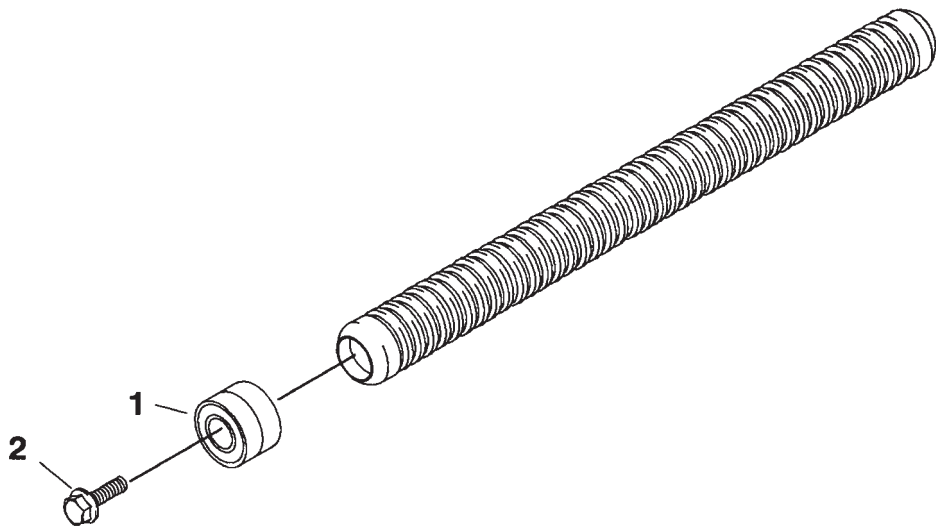
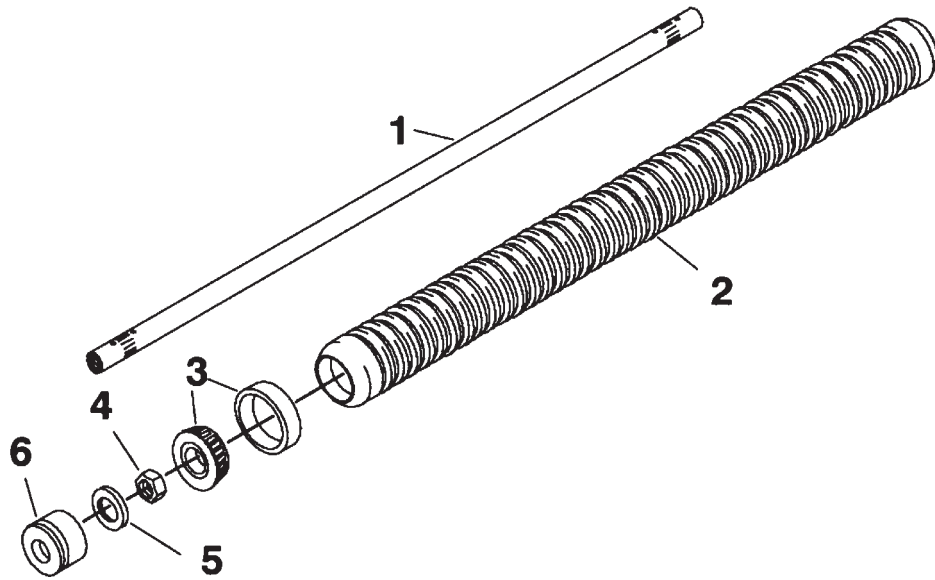
Illustration Number: 068643



ITEM	PART NO.	DESCRIPTION	QTY.	REMARKS
1	3007975	Bracket, bearing housing	2	
2	471514	Fitting, grease, 1/4-28	2	
3	452006	Washer, 5/16"	4	
4	365229	Bearing w/seal	2	
5	338763	Seal	2	
6	453011	Washer, 3/8"	2	
7	363818	Spring	1	
8	446142	Lock Washer, 3/8"	3	
9	400258	Screw, 3/8-16 x 3/4"	2	
10	340836	Pulley, brush shaft	1	
11	363016	Key, 1/8 x 1/8 x 1/2", parallel	2	
12	365294	Spacer, 1 1/8" long	1	
13	5002463	Brush assembly	1	
13A	340780	Brush replacement	1	
14	365293	Spacer, 9/64" long	1	
15	3008039	Nut, eccentric adjusting	2	
16	1002228	Bolt, roller mounting	2	
16	1002225	Bolt, roller mounting	2	Use with heavy duty rear roller
17	415509	Screw, set, 1/4-20 x 1/4"	2	
18	338758	Pulley, reel shaft	1	
19	400188	Screw, 5/16-18 x 1"	1	
20	443106	Nut, 5/16-18	2	
21	400298	Screw, 3/8-24 x 1"	1	
22	365295	Spacer, 27/32" long	1	Use with 5/8" dia. reel shaft
22	365302	Spacer, pulley	1	Use with 1/2" dia. reel shaft
23	364120	Belt	1	
24	3005971	Spacer, short	1	Use with turf groomer
25	1000997	Decal	1	
26	5001067	Shield, belt	1	
27	1002767	Brace, shield	1	Use with 5/8" dia. reel shaft
28	1002768	Brace, shield	1	
29	400108	Screw, 1/4-20 x 3/4"	3	
30	446130	Lock Washer, 1/4	3	
31	400194	Screw, 5/16-18 x 1 3/4"	1	
32	453023	Washer, 1/4"	2	
33	415522	Screw, set 5/16-18 x 3/8"	4	
34	3005970	Spacer, long	1	
35	446136	Lock Washer 5/16"	2	
36	452008	Washer, 7/16	1	Use with turf groomer
37	364124	Bracket	1	Use with 1/2" dia. reel shaft
38	3004410	Spacer, medium	1	Use with 1/2" dia. reel shaft
39	400112	Screw, 1/4-20 x 1"	1	Use with 1/2" dia. reel shaft
40	443102	Nut, 1/4-20	1	Use with 1/2" dia. reel shaft

CLASSIC XP FRONT & REAR ROLLS

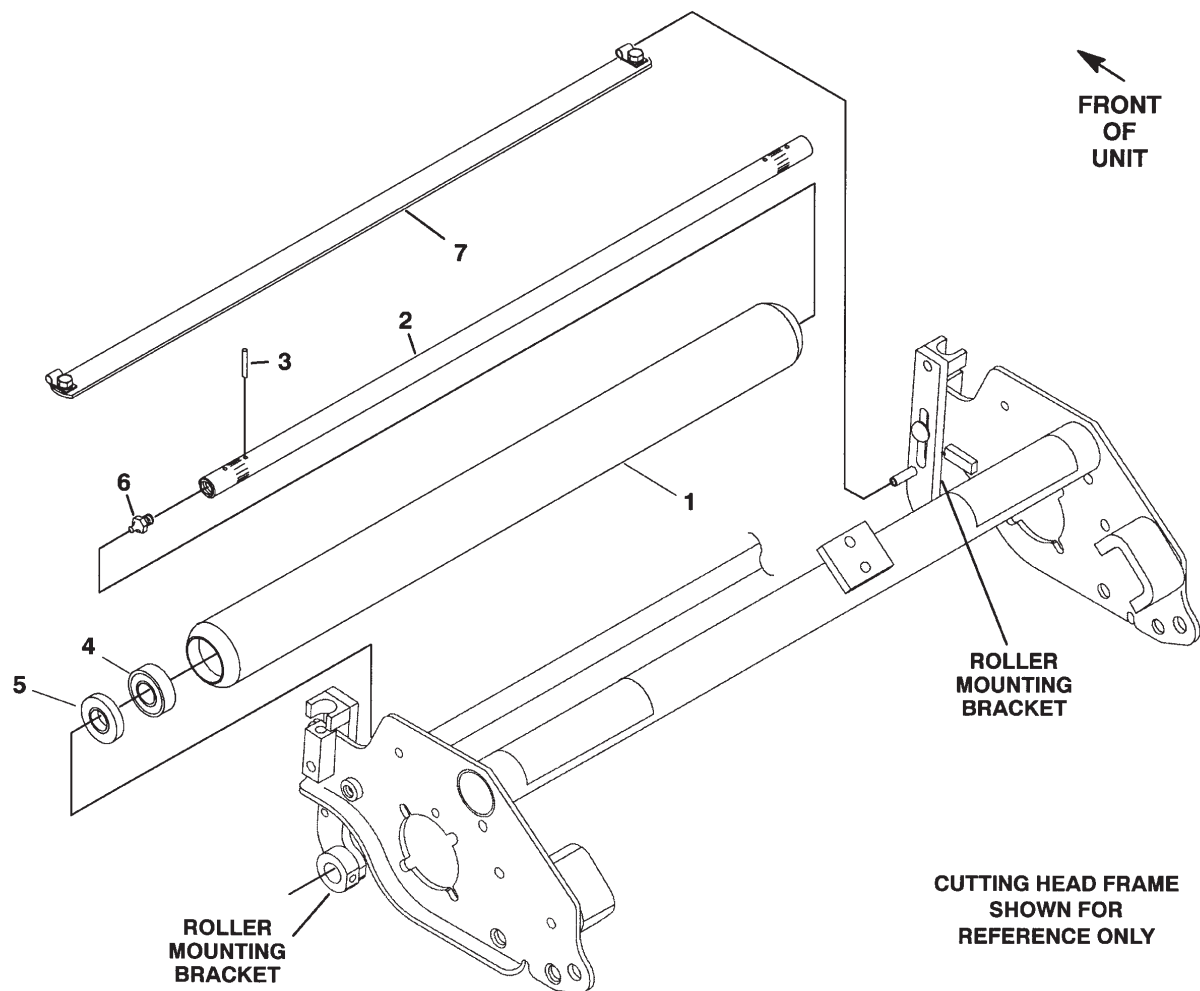
Illustration Number: 068613-14 & 068580



ITEM	PART NO.	DESCRIPTION	QTY.	REMARKS
		FRONT ROLL		
	068613	Grooved Roll - Steel	1	
	068614	Grooved Roll - Aluminium	1	
1	3000012	• Shaft, rear roller	1	
2	3000013	• Roller, grooved (steel)	1	
2	3000394	• Roller, grooved (aluminum)	1	
3	503378	• Bearing, ball, cup and cone	2	
4	367029	• Locknut, 3/4-16 UNF	2	
5	3000026	• Seal, grease	2	
6	3000010	• Adapter, seal	2	Used with steel roller
6	3000543	• Adapter, seal	2	Used with aluminum roller
		REAR ROLL		
	068580	Grooved Roll	1	
1	364135	• Bearing, double row	2	
2	315298	• Bolt, wheel	2	

CLASSIC XP FRONT ROLL 2 INCH SMOOTH & SCRAPER

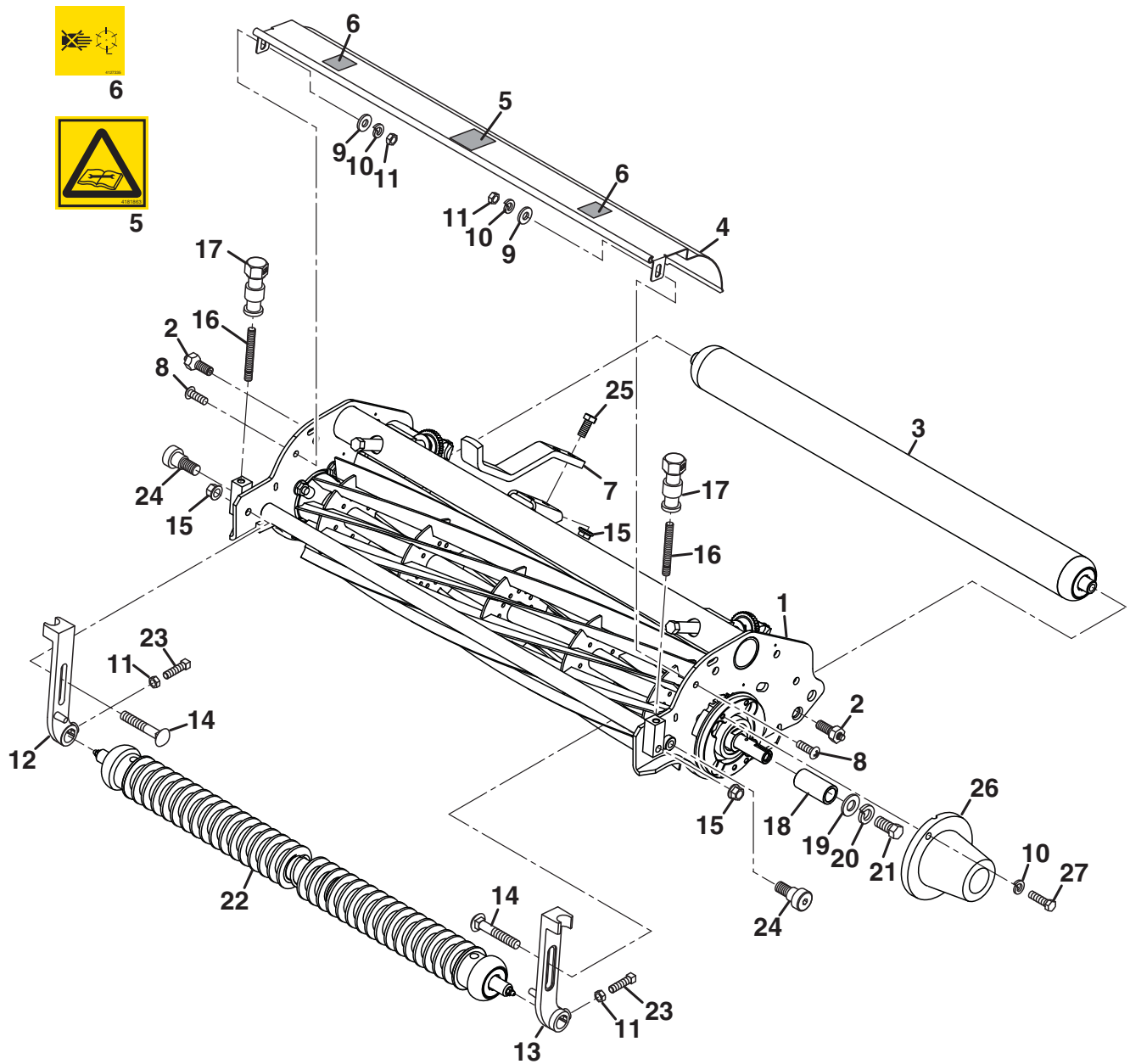
Illustration Number: 068530



ITEM	PART NO.	DESCRIPTION	QTY.	REMARKS
	162917	Front roller assembly, complete	1	
1	131426	• Roller, smooth (steel)	1	
2	102030	• Shaft, front roller assembly	1	
3	461359	•• Pin, roll 1/8 x 3/4	2	
4	303558	• Bearing	2	
5	305115	• Seal	2	
6	471214	• Fitting, grease	2	
7	102024	• Scraper blade assembly	1	

TRUE SET OUTER REEL

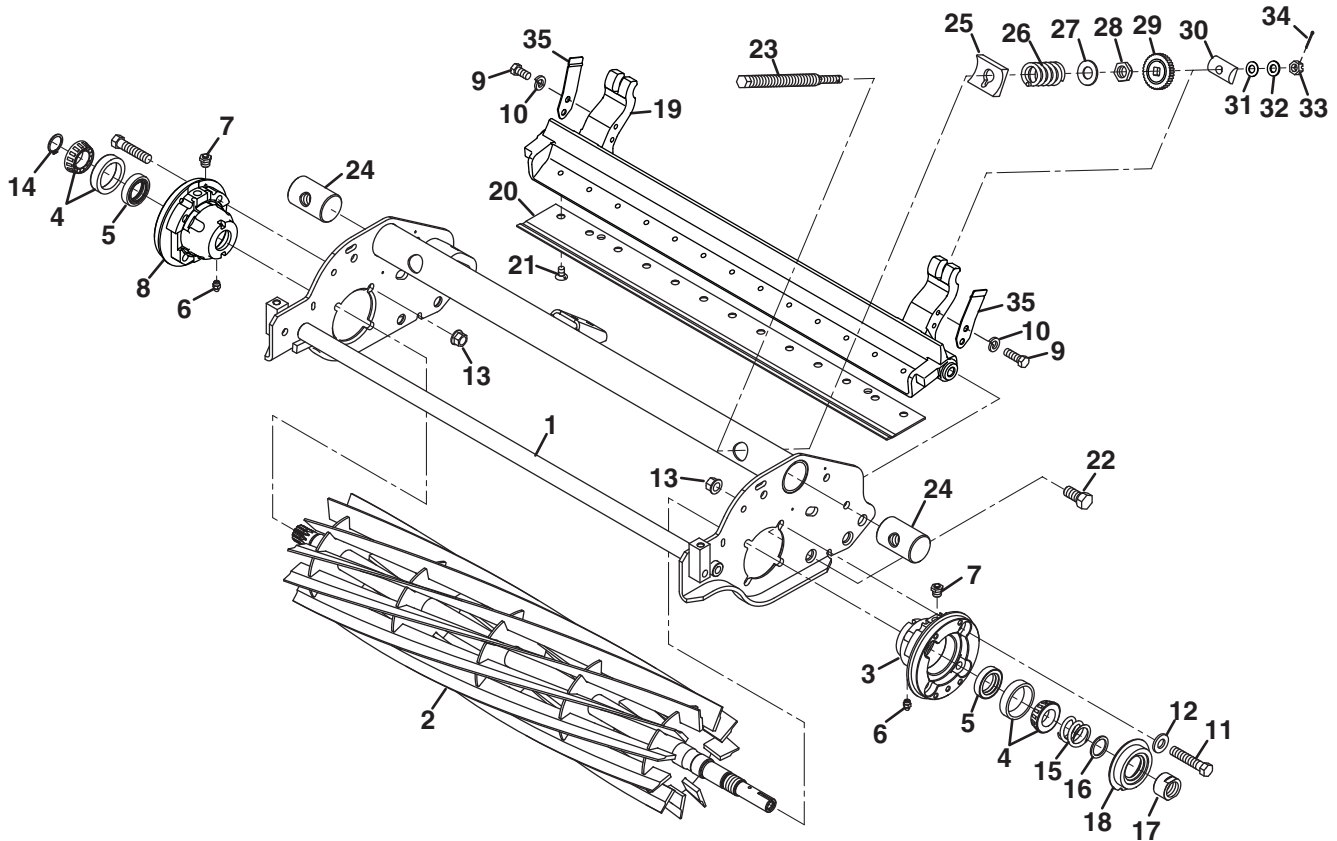
Illustration Number: Outer Reel



ITEM	PART NO.	DESCRIPTION	QTY.	REMARKS
1	REF	Inner Reel	1	See 6.1
2	1002224	Zerk Bolt	2	
3	1004990	22" Rear Roller	1	See 7.1
4	2810043	Shield, Grass	1	
5	4181863	Decal, Read Manual for Service	1	
6	4127335	Decal, Danger	2	
7	3010293	Stop, Reel	1	
8	403782	Screw, 1/4-20 x 3/4" Truss Head	2	
9	453023	Flat Washer, 1/4	2	
10	446130	Lock Washer, 1/4 Heavy	4	
11	443102	Nut, 1/4-20 Hex	4	
12	3008438	Bracket, Right Side Front Roller	1	
13	3008439	Bracket, Left Side Front Roller	1	
14	441674	Carriage Bolt, 5/16-18 x 1-3/4"	2	
15	445795	Nut, 5/16-18 Spirallock Flange	4	
16	343616	Stud, Front Roller Adjuster	2	
17	3005692	Knob, Front Roller Adjuster	2	
18	367164	Spacer	1	
19	453011	Flat Washer, 3/8	1	
20	446142	Lock Washer, 3/8 Heavy	1	
21	400294	Screw, 3/8-24 x 1" Hex Head	1	
22	REF	Front Roller	1	Not included with reel.
23	352737	Set Screw, 1/4-20 x 7/8"	2	
24	365247	Shoulder Bolt	2	
25	400184	Screw, 5/16-18 x 3/4" Hex Head	2	
26	2000065	Casting, Counterweight	1	
27	400110	Screw, 1/4-20 x 7/8" Hex Head	2	

TRUE SET INNER REEL

Illustration Number: Inner Reel



**Standard Style Bedknives
(Secured with screws)**

Part Number	Description
▲ 5003150	22" Medium Section
503477	22" High Profile
◆ 503478	22" Low Profile
503479	22" Tournament
● 5002887	22" Super Tournament
4234900	22" Championship

- ▲ Standard Bedknife (7 Blade)
- ◆ Standard Bedknife (9 Blade)
- Standard Bedknife (11 and 15 Blade)

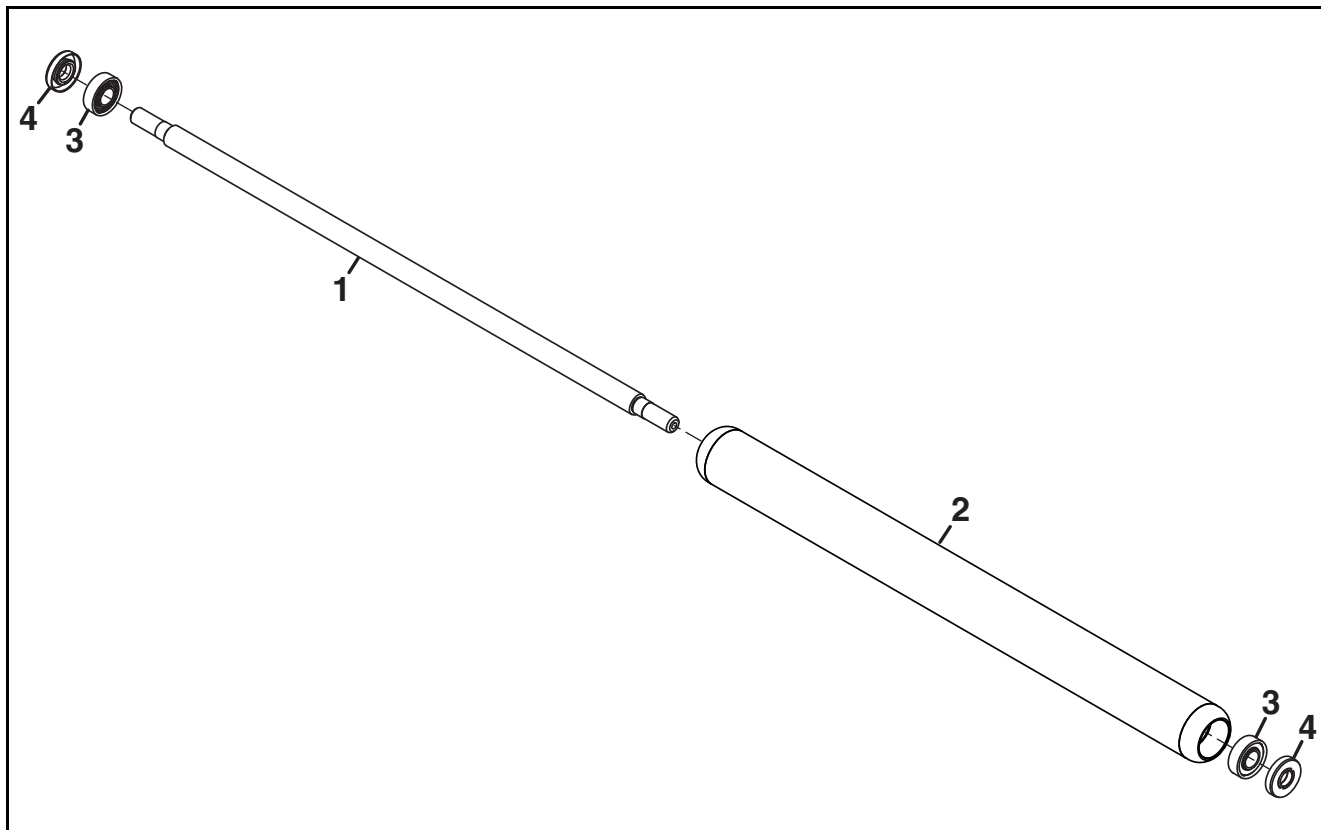
Optional MagKnife Bedknives

Part Number	Description
4131369	22" High Profile
4131001	22" Low Profile
4131370	22" Tournament
4131003	22" Super Tournament

ITEM	PART NO.	DESCRIPTION	QTY.	REMARKS
1	4256225	22" Reel Frame	1	
2	5003053	Reel, 22" 7 Blade	1	
2	5001099	Reel, 22" 9 Blade	1	
2	5001101	Reel, 22" 11 Blade	1	
2	4225505	Reel, 22" 15 Blade	1	
3	1000480	Housing, Bearing	1	
4	500534	Bearing, Cup and Cone	1	
5	336962	Seal, Grease	1	
6	471214	Grease Fitting	1	
7	471240	Vent Fitting	1	
8	1004756	Housing, Bearing	1	Includes Items 4~7
9	400104	Screw, 1/4-20 x 1/2" Hex Head	4	
10	446130	Lock Washer, 1/4 Heavy	4	
11	400192	Screw, 5/16-18 x 1-1/2" Socket Head	8	
12	453009	Flat Washer, 5/16	4	
13	445795	Nut, 5/16-18 Spirallock Flange	8	
14	458013	Ring, Snap	1	
15	5002151	Spring, Compression	1	
16	304745	Washer, Reel Shaft	1	
17	364900	Nut, 3/4-16 Reel	1	
18	163892	Seal Assembly	1	
19	4255754	Backing, 22" Bedknife	1	
20	See Chart	Bedknife	1	
21	4252470	Screw, Bedknife	AR	Package of 100 Screws
22	315298	Bolt, 7/16-20 x 3/4" Wheel	2	
23	4256228	Rod, Bedknife Adjuster	2	
24	4256227	Trunnion, Internal	2	
25	4256229	Cradle, Tube Spring	2	
26	4256231	Spring, Compression	2	
27	400051	Washer, 1/2" Bellville	2	
28	400050	Nut, 1/2-20 Hex Jam Nylock	2	
29	4256233	Washer, Bedknife Adjustment	2	
30	4256232	Trunnion Half	2	
31	400052	Washer, 5/16 Bellville	2	
32	400065	Washer, Shim	AR	
33	400053	Nut, 5/16-24 Hex Slotted	2	
34	460008	Cotter Pin, 5/64 x 3/4"	2	
35	4256230	Spring, Detent	2	

TRUE SET REAR ROLLER

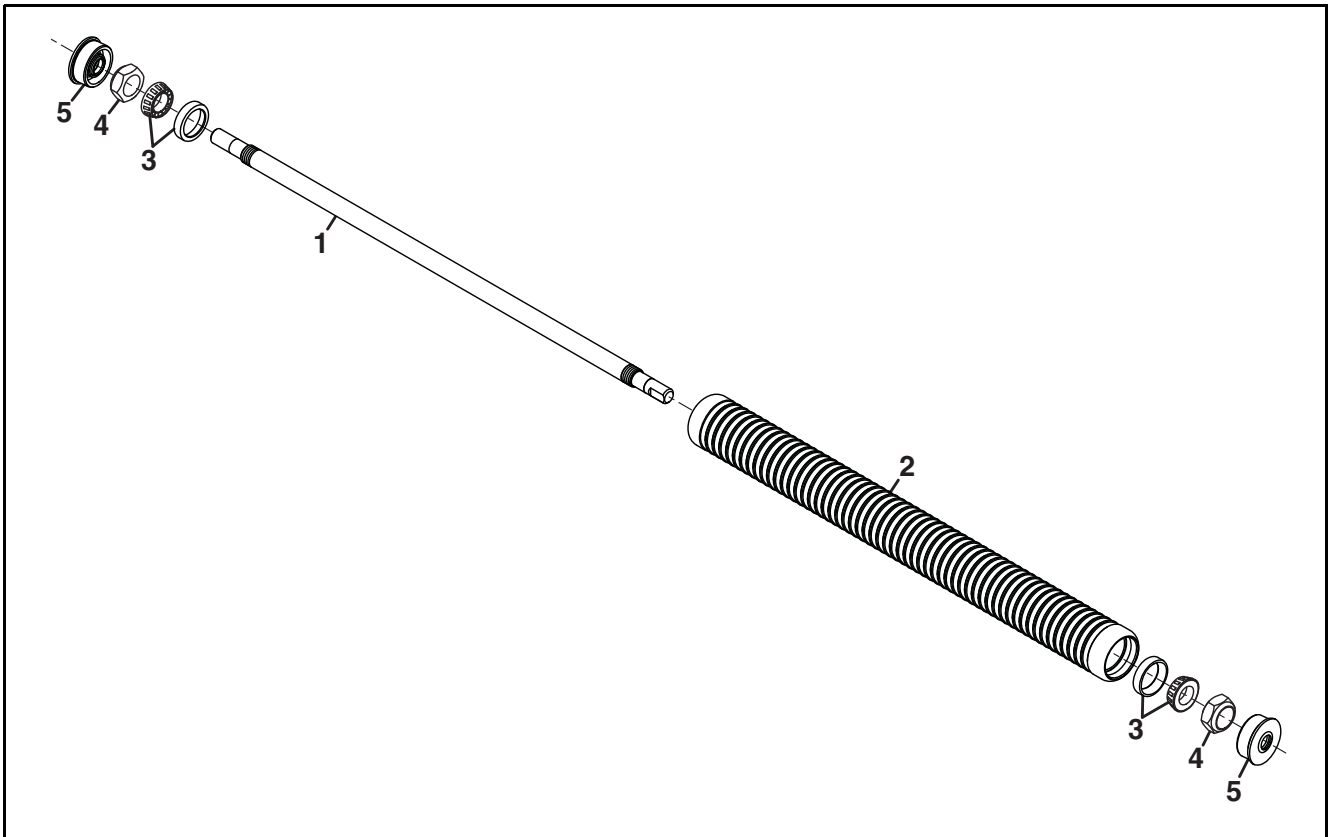
Illustration Number: 1004990-4175221



ITEM	PART NO	DESCRIPTION	QTY	REMARKS
	1004990	22" Rear Roller	1	
1	3010422	Shaft, 22" Roller	1	
2	5002814	Tube, 22" Roller	1	
3	3010712	Bearing, Ball	2	
4	3010286	Seal	2	

TRUE SET MACHINED GROOVED ROLLER

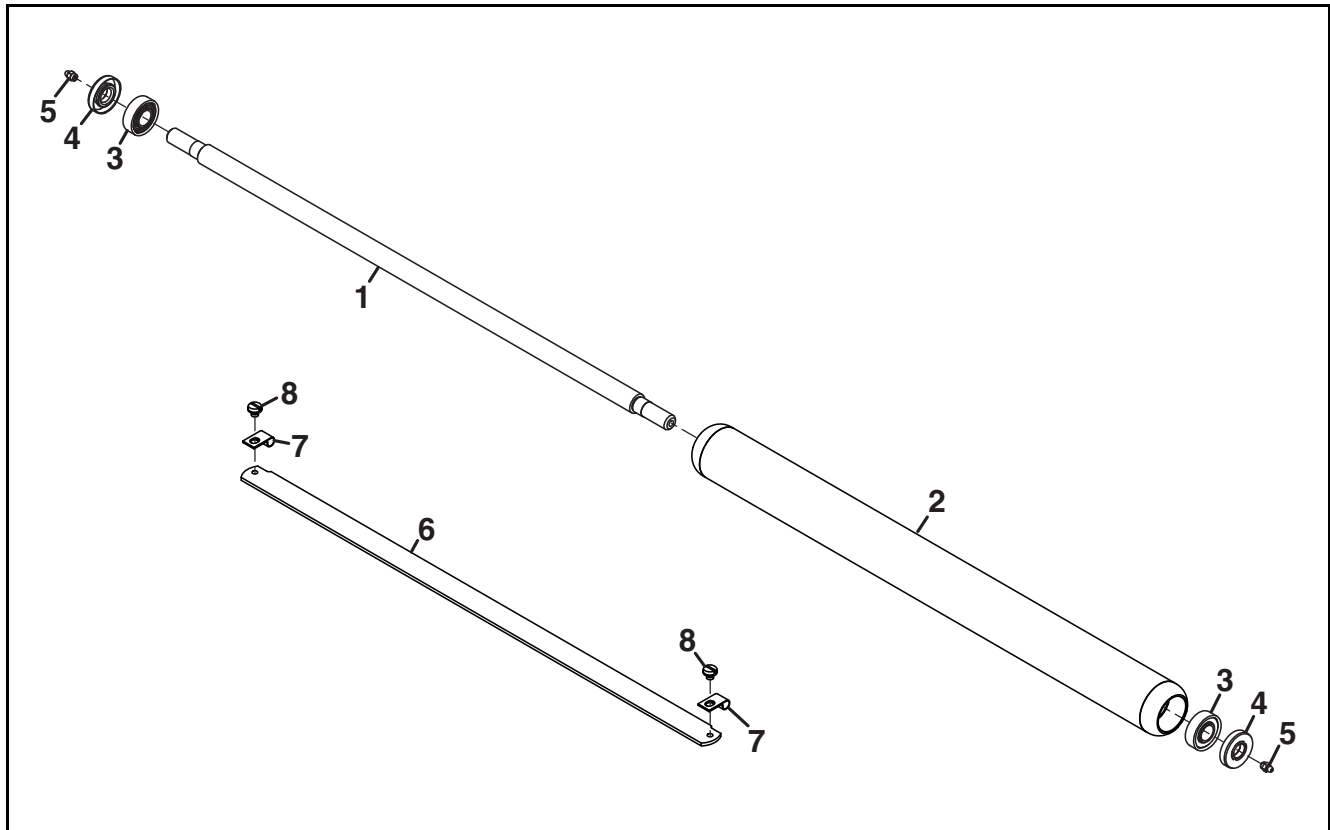
Illustration Number: 63318-68613-68614-68616



ITEM	PART NO	DESCRIPTION	QTY	REMARKS
	68613	22" Machined Grooved Steel	1	
	68614	22" Machined Grooved Aluminum	1	
1	3009725	Shaft, 22" Roller	1	
2	5002815	Roller, 22" Grooved Steel	1	Used on 68613
2	3000394	Roller, 22" Grooved Aluminum	1	Used on 68614
3	503378	Bearing, Cup and Cone	2	
4	367029	Locknut, 3/4-16	2	
5	3010210	Adapter, Seal	2	

TRUE SET SOLID FRONT ROLLER

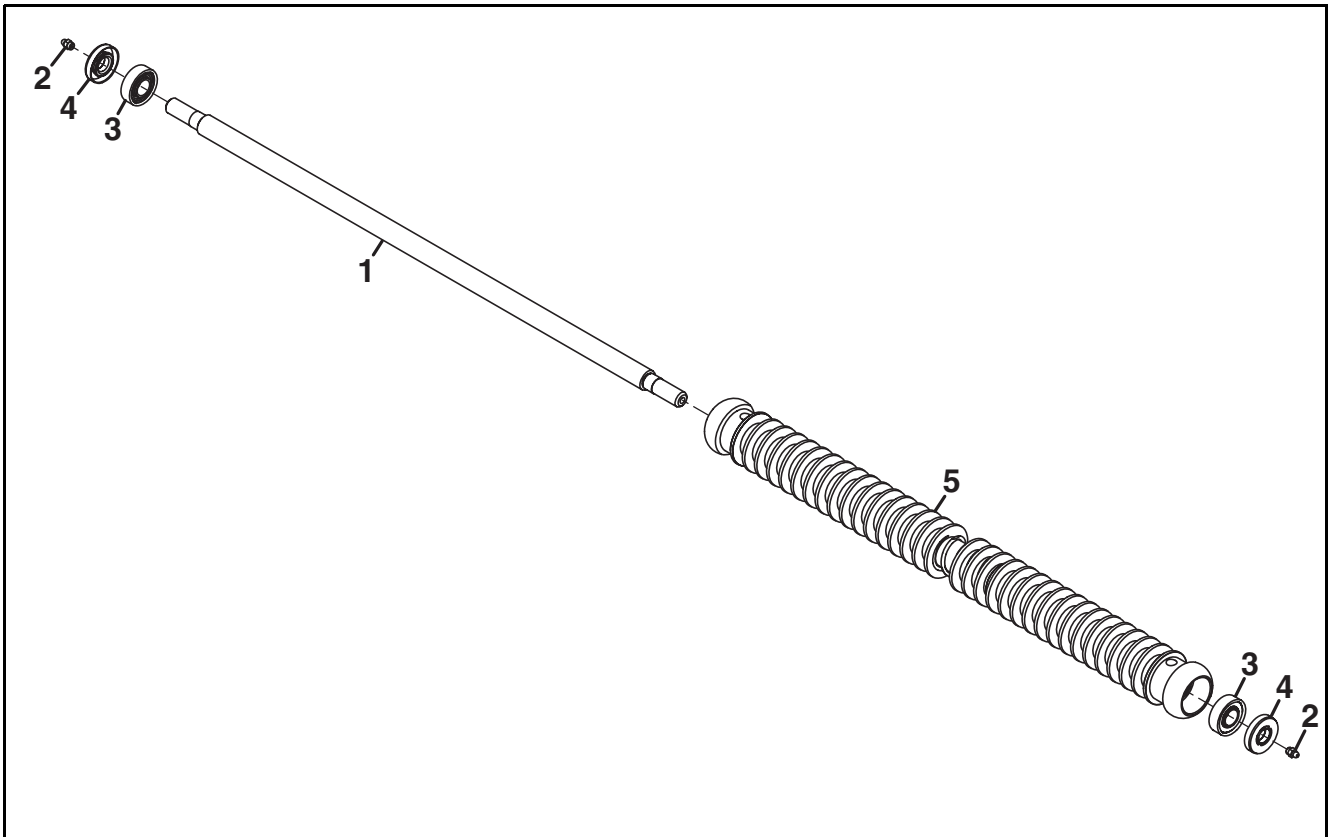
Illustration Number: 68530-68641-4108920



ITEM	PART NO	DESCRIPTION	QTY	REMARKS
	1004991	22" Solid Front Roller (Light)	1	
	1004988	22" Solid Front Roller	1	
1	3010621	Shaft, 22" Roller	1	
2	5002814	Roller, 22" Solid (Light)	1	Used on 1004991
2	3007008	Roller, 22" Solid	1	Used on 1004988
3	3010712	Bearing, Ball	2	
4	3010286	Seal	2	
5	471214	Fitting, Grease	2	
	68530	22" Solid Front Roller with Scraper	1	Includes 1004991
	68641	22" Solid Front Roller with Scraper	1	Includes 1004988
6	2500022	Scaper Assembly	1	
7	352214	Clip	2	
8	407586	1/4-20 Pan Head Screw	2	

TRUE SET 22" GROOVED STEEL DISC FRONT ROLLER

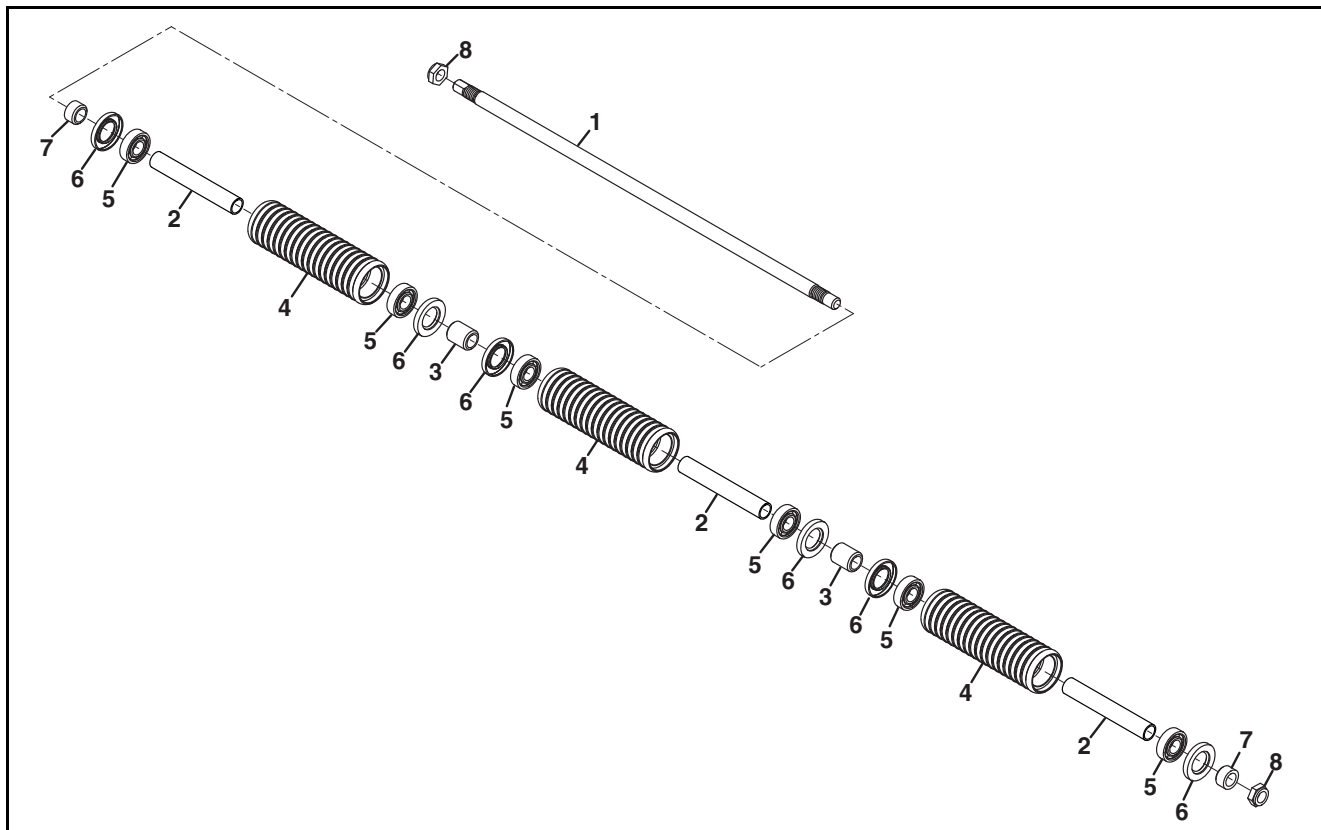
Illustration Number: 68527



ITEM	PART NO	DESCRIPTION	QTY	REMARKS
	68527	22" Front Roller	1	
1	3010621	Shaft	1	
2	471214	Grease Fitting	2	
3	3010712	Bearing, Ball	2	
4	3010286	Seal	2	
5	129806	Grooved Roller	1	

TRUE SET 22" SEGMENTED GROOVED FRONT ROLLER

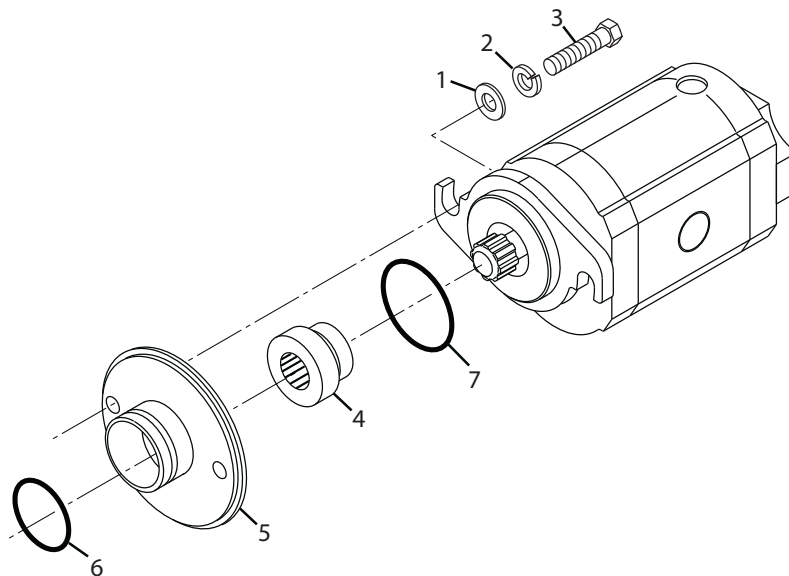
Illustration Number: 68673



ITEM	PART NO	DESCRIPTION	QTY	REMARKS
	68673	22" Segmented Grooved Front Roller	1	
1	2810708	Shaft, Roller	1	
2	4130417	Spacer, Bearing	3	
3	4130418	Spacer, Bearing	2	
4	4130419	Roller, Segmented Grooved	3	
5	366707	Bearing, Ball	6	
6	338773	Seal, Grease	6	
7	4130428	Spacer, Bearing	2	
8	445801	Nut, 5/8-18 Hex Jam Nylon Insert	2	

TRUE SET MOTOR ADAPTER KIT

Illustration Number: 894991_motor_adapter_kit



Note: This cutting head requires the Motor Adapter Kit 894991.

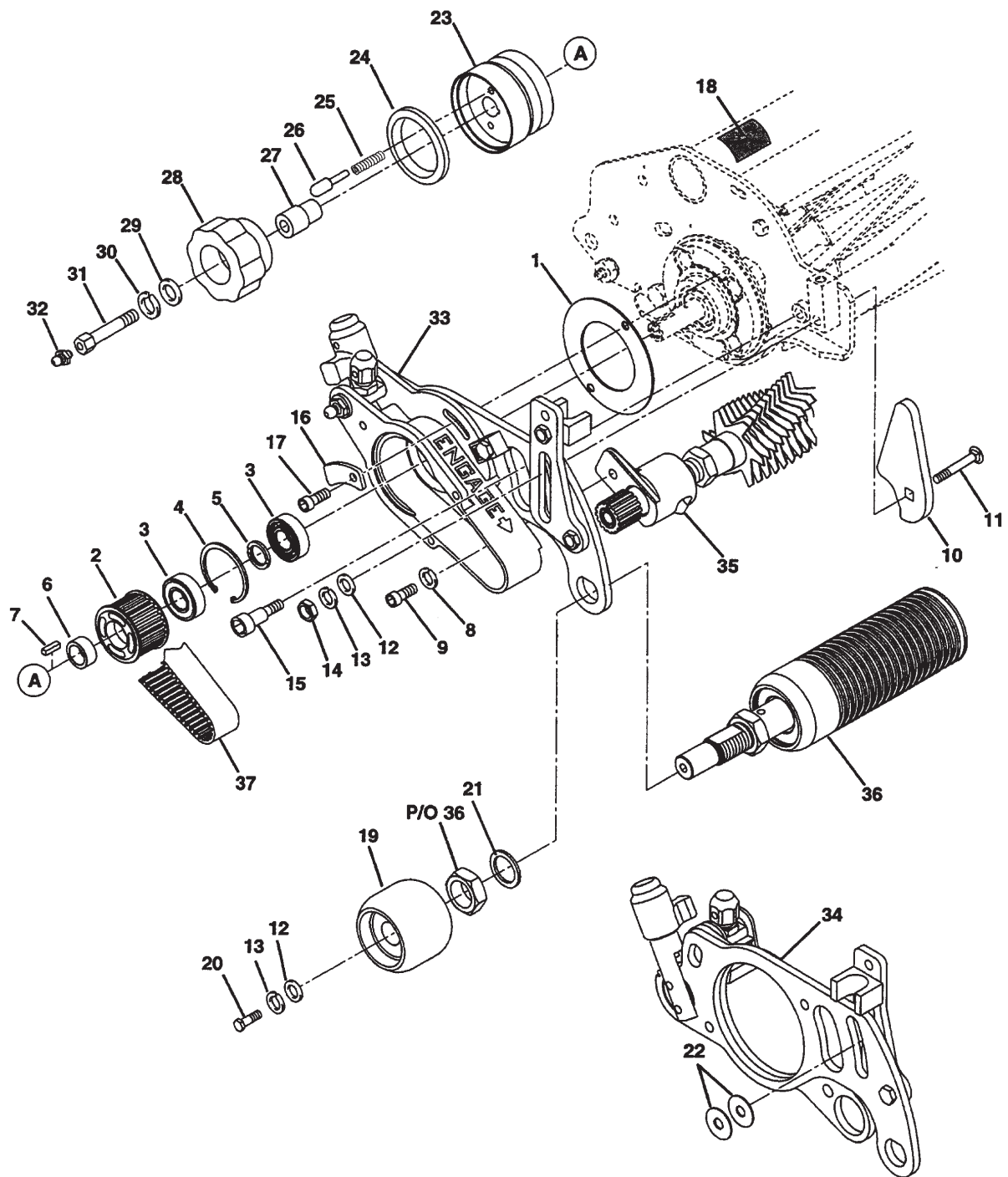
Check to make sure your Greensplex Greensmower has this Motor Adapter Kit before installing the cutting head.

If your Greensplex Greensmower does not have this Motor Adapter, you need to order a Motor Adapter kit Part No. 894991.

ITEM	PART NO	DESCRIPTION	QTY	REMARKS
	894991	Greensplex Reel Motor Adapter Kit	1	
1	103867	Flat Washer, 5/16	2	
2	306325	Lock Washer, 5/16	2	
3	306501	Screw, 5/16-18 x 1-1/2"	2	
4	4247911	Coupling, Drive	1	
5	845278	Adapter Plate	1	
6	845279	Seal, O-Ring 1.49 I.D. x .07	1	
7	845280	Seal, O-Ring 1.99 I.D. x .07	1	

TURF GROOMER

Illustration Number: 067871-73

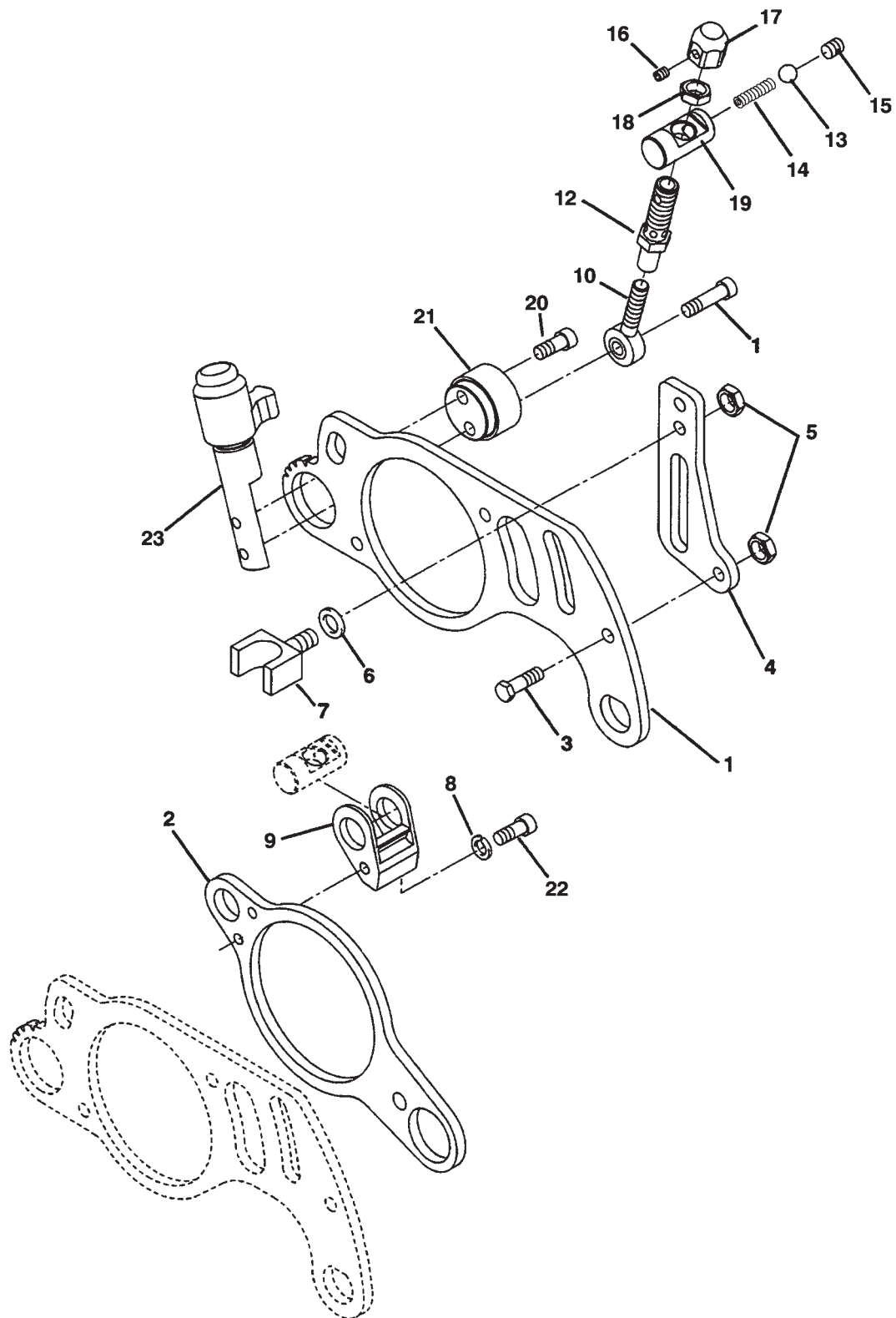


ITEM	PART NO.	DESCRIPTION	QTY.	REMARKS
1	365226	Plate, cover	1	
	132212	Pulley assembly	1	
2	365228	• Pulley, 28 groove	1	
3	365229	• Bearing, ball	2	
4	458461	• Snap ring	1	
5	365232	• Spacer	1	
6	365256	Spacer, pulley	1	
7	365239	Key, 1/8 x 1/8 x 7/16"	1	
8	446142	Lock Washer, 3/8"	2	
9	434030	Screw, 3/8-16 x 7/8", socket head	2	
10	365237	Spacer, grass catcher	2	
11	441672	Bolt, carriage, 5/16-18 x 2 1/2"	2	
12	364441	Spacer, 5/16"	4	
13	446136	Lock Washer, 5/16"	4	
14	443106	Nut, 5/16-18	2	
15	365246	Bolt, 3/8-16, nyloc shoulder	2	
16	365341	Washer, special	2	
17	434031	Screw, 1/4-20 x 3/4", socket head	2	
18	365240	Decal, turf groomer	1	
19	365343	Guide, wheel	2	
20	400184	Screw, 5/16-18 x 3/4"	2	
21	365409	Spacer, roller	As	
			Req'd	
22	3005515	Spacer, driven assembly .02"	As	
			Req'd"	
		Clutch assembly	1	
23	163776	• Pulley assembly	1	
24	338768	• Seal, grease	1	
25	365272	• Spring	2	
26	365258	• Pin	2	
27	365254	• Shaft, stub	1	
28	241817	• Knob, clutch	1	
29	363841	• Washer	1	
30	446142	• Lock Washer, 3/8"	1	
31	365257	• Bolt	1	
32	471214	• Fitting, grease, 1/4-28	1	
33		Drive assembly	1	See breakdown
34		Driven assembly	1	See breakdown
35		Blade assembly	1	See breakdown
36		Roller assembly	1	See breakdown
37	365235	Belt, drive	1	

ITEM	PART NO.	DESCRIPTION	QTY.	REMARKS
1	3010708	Bracket, groomer roller	1	
2	220302	Housing, belt	1	
3	365260	Link, belt adjusting	1	
4	367162	Eccentric, belt adjusting	1	
5	446142	Lock Washer, 3/8"	1	
6	434030	Screw, 3/8-16 x 7/8", socket head	1	
7	132214	Cover, belt housing	1	
8	338752	Seal, oil	1	
9	446130	Lock Washer, 1/4"	3	
10	434029	Screw, 1/4-20 x 1", socket head	2	
11	434011	Screw, 1/4-20 x 5/8", socket head	1	
12	365247	End, rod	1	
13	446136	Lock Washer, 5/16"	1	
14	434032	Screw, 5/16-18 x 1 3/4", socket head	1	
15	365270	Bolt, micro adjusting	1	
16	3003969	Pin, pivot	1	
17	465006	Ball, 5/16 dia., steel	1	
18	365291	Spring	1	
19	471219	Fitting, grease, 1/8 NPT	1	
20	445667	Nut, 1/2-20, hex nyloc	1	
21	422502	Screw, set, 1/4-20 x 1/4"	1	
22	3005108	Knob, micro adjuster	1	
23	367166	Cam	1	
24	453009	Washer, 5/16"	1	
25	434024	Screw, 5/16-18 x 3/4" Socket head	1	
26	400186	Screw, 5/16-18 x 7/8"	2	
27	364061	Bracket, adjusting pivot	1	
28	365344	Clamp, housing retaining	1	
29	444718	Nut, 5/16-18	2	
30	365233	Link, roller adjusting	1	
31		Quick height adjuster	1	See parts breakdown

TURF GROOMER DRIVEN ASSEMBLY

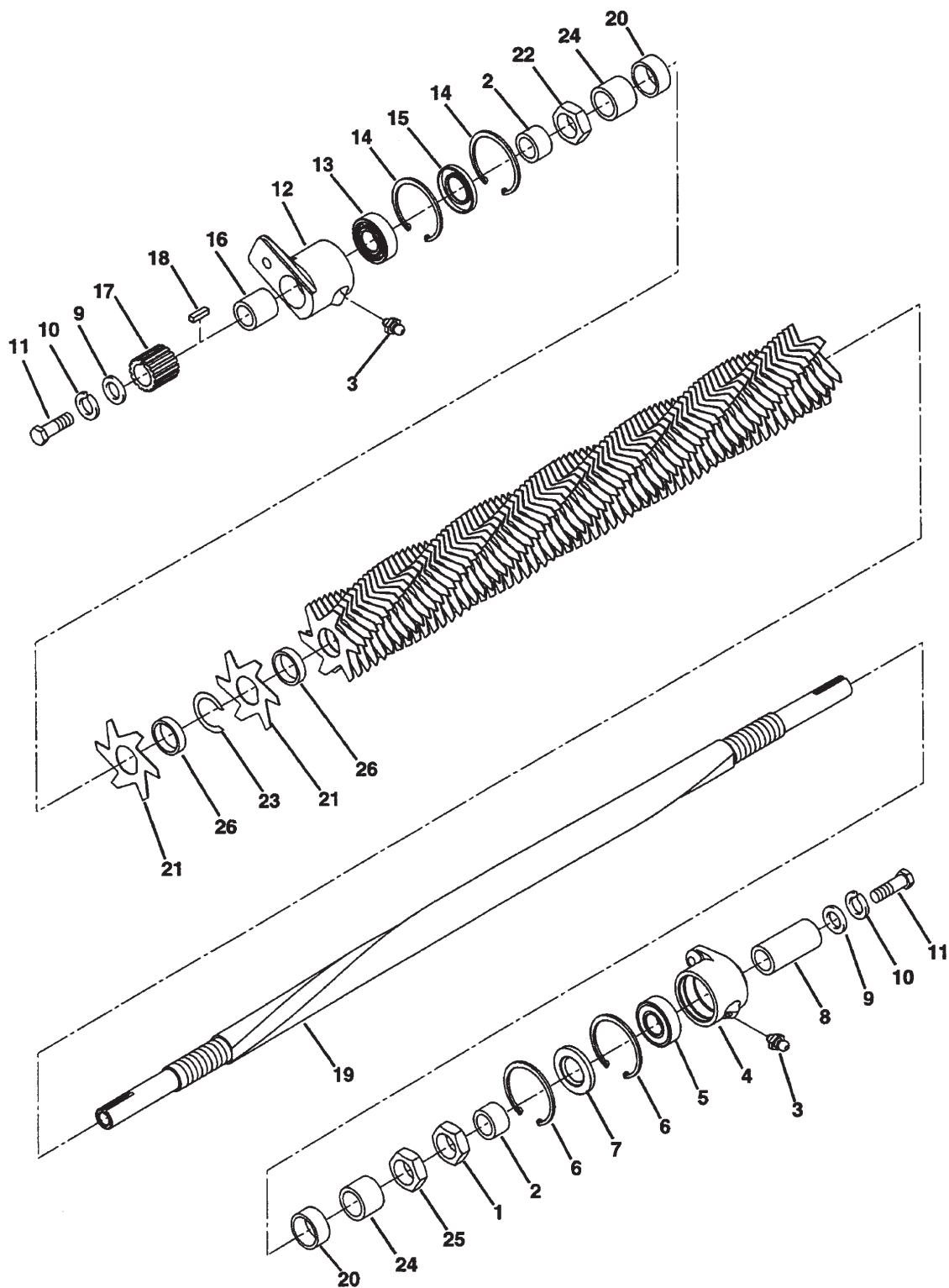
Illustration Number: TURF GROOMER DRIVEN ASSEMBLY



ITEM	PART NO.	DESCRIPTION	QTY.	REMARKS
1	3010708	Bracket, groomer roller	1	
2	338748	Bracket, groomer mounting	1	
3	400186	Screw, 5/16-18 x 7/8"	1	
4	365233	Link, roller adjusting	1	
5	444718	Locknut, 5/16-18, center	2	
6	453009	Washer, 5/16"	1	
7	364061	Bracket, adjusting pivot	1	
8	447212	Lock Washer	2	
9	2000088	Block, pivot	1	
10	365247	Rod end	1	
11	434032	Bolt, 5/16-18 x 1 3/4" socket head	1	
12	365270	Bolt, micro adjusting	1	
13	465006	Ball, 5/16 dia., steel	1	
14	365291	Spring	1	
15	323016	Plug, pipe, 1/8 NPT, 905	1	
16	422502	Screw, set, 1/4-20 x 1/4"	1	
17	3005108	Knob, micro adjuster	1	
18	445667	Nut, 1/2-20, hex nyloc	1	
19	3003969	Pin, pivot	1	
20	434024	Screw, 5/16-18 x 3/4" socket head	1	
21	367166	Cam	1	
22	400118	Screw, 1/4-20 x 1 3/4" socket head	2	
23		Quick height adjuster	1	See parts breakdown

TURF GROOMER BLADE ASSEMBLY

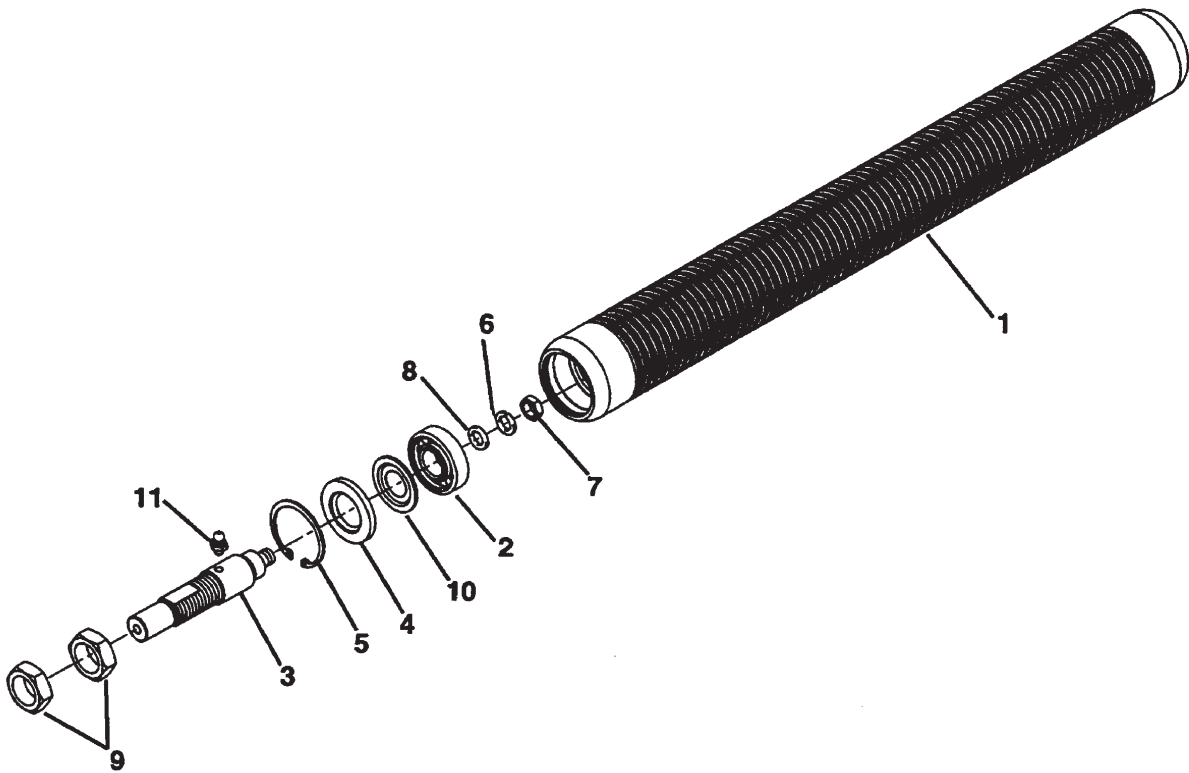
Illustration Number: TURF GROOMER BLADE ASSEMBLY



ITEM	PART NO.	DESCRIPTION	QTY.	REMARKS
1	367029	Locknut, 3/4-16, hex nyloc	1	
2	367165	Spacer, 7/8 x 17/32"	2	
3	471214	Fitting, grease, 1/4-28	1	
	132211	Housing, driven bearing	1	
4	241808	• Housing, bearing	1	
5	365229	• Bearing, ball	1	
6	458461	• Snap ring	2	
7	336962	• Seal, grease	1	
8	367164	Spacer, 7/8 x 1 13/16"	1	
9	453011	Washer, 3/8"	2	
10	446142	Lock Washer, 3/8"	2	
11	400298	Screw, 3/8-24 x 1"	2	
	132210	Housing, drive bearing	1	
12	241807	• Housing, bearing	1	
13	365229	• Bearing, ball	1	
14	458461	• Snap ring	2	
15	336962	• Seal, grease	1	
16	367163	Spacer, 7/8 x 7/8"	1	
17	365227	Pulley, 16 groove	1	
18	345556	Key, 1/8 x 1/8 x 31/32"	1	
	132215	Groomer shaft assembly, 1/4" spacing	1	Product No. 067871
	132213	Groomer shaft assembly, 1/2" spacing	1	Product No. 067873
19	390857	• Shaft, groomer	1	
20	365234	• Spacer, 1 1/16 x 15/32"	2	
21	365230	• Blade (1/4" spacing)	71	365230 is a package of
	365230	• Blade (1/2" spacing)	40	50 Blades
22	367029	• Locknut, 3/4-16, hex nyloc	1	
23	364040	• Shim, groomer shaft	As Req'd	
24	367161	• Spacer, 1 x 3/4"	2	
25	443832	• Nut, 3/4-16, jam	1	
26	365236	• Spacer, 1/4" spacing	70	Product No. 067871
26	365234	• Spacer, 1/2" spacing	39	Product No. 067873

TURF GROOMER ROLLER ASSEMBLY

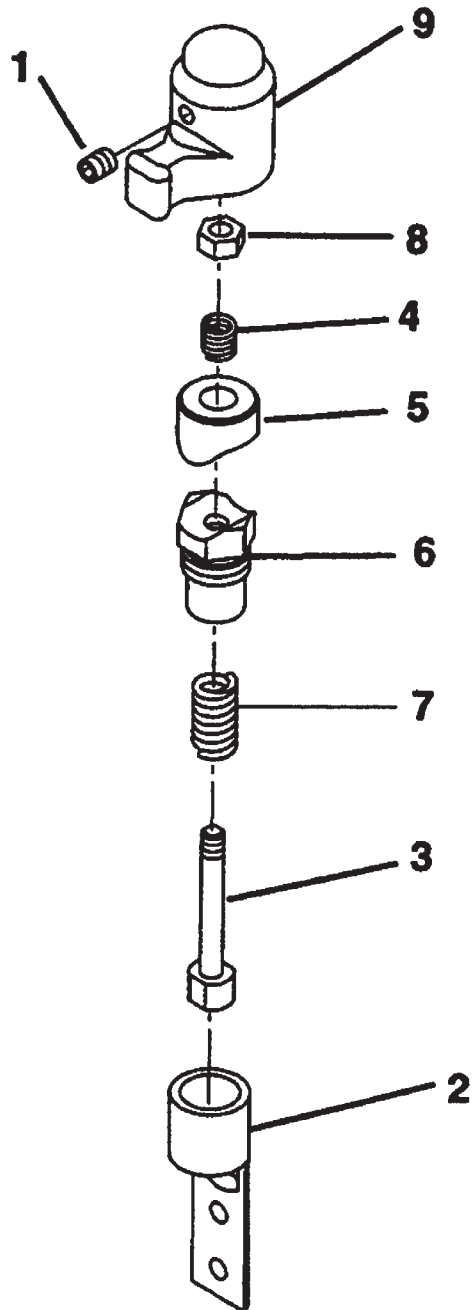
Illustration Number: TURF GROOMER ROLL



ITEM	PART NO.	DESCRIPTION	QTY.	REMARKS
1	390899	Tube, roller, 1/4" spacing	1	Product No. 067871
1	390900	Tube, roller, 1/2" spacing	1	Product No. 067873
2	365330	Bearing, ball	2	
3	338772	Shaft, roller	2	
4	338773	Seal, grease	2	
5	458113	Snap ring	2	
6	446148	Lock Washer, 7/16"	2	
7	443186	Nut, 7/16-20, jam	2	
8	452008	Washer, 7/16"	2	
9	443836	Nut, 7/8-14, jam	4	
10	365345	Ring, nylos	2	
11	471214	Fitting, grease, 1/4-28	2	

TURF GROOMER QUICK HEIGHT ADJUSTER

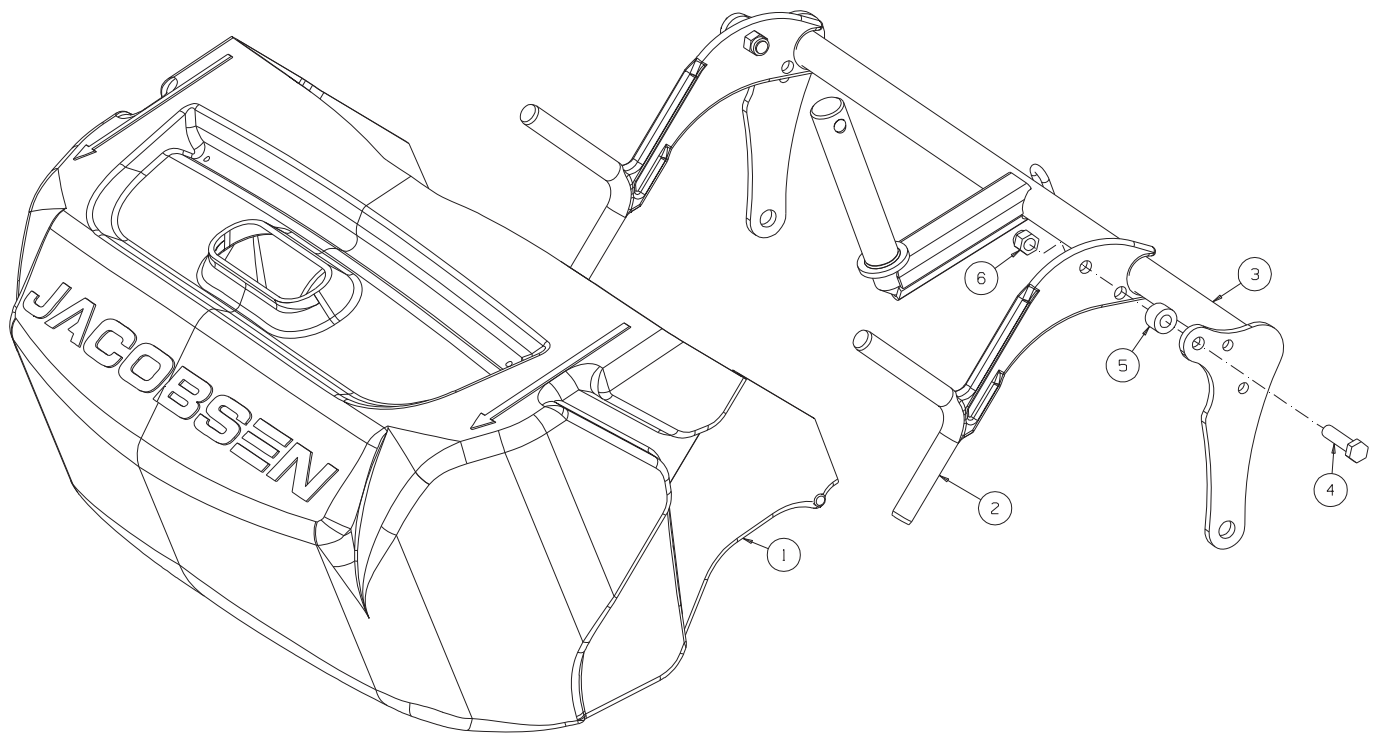
Illustration Number: TURF GROOMER QUICK HEIGHT ADJUSTER



ITEM	PART NO.	DESCRIPTION	QTY.	REMARKS
1	422502	Screw, set, 1/4-20 x 1/4"	1	
2	365265	Link, adjusting	1	
	163761	Knob assembly	1	
3	365271	• Bolt	1	
4	365268	• Spring	1	
5	365267	• Plunger	1	
6	365266	• Bolt, adjusting	1	
7	365269	• Spring	1	
8	444708	• Locknut, 1/4-20, center	1	
9	271919	Knob, quick adjuster	1	

GRASS CATCHER

Illustration Number: Grass-Box



ITEM	PART NO.	DESCRIPTION	QTY.	REMARKS
1	4239563	Catcher Assy	1	
2	4146935	Bracket, Catcher	2	
3	4154140	Frame AY, Head Steering	1	
4	400266	Screw 3/8-16 X 1-1/2 Hex	2	
5	822474	Spacer,.38.75.50 YS	2	
6	800619	Nut,.38-16 YS HX LT.WT.Stop	2	

DECALS

Illustration Number: ARRGT-DECALS



1

JACOBSEN

2



3



4



5



6



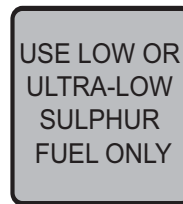
8



9

GP400

11



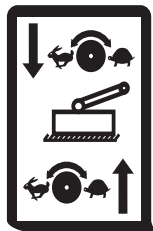
12



15



7



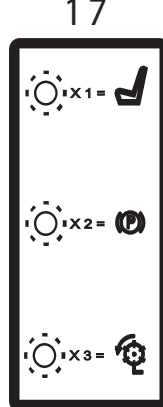
20



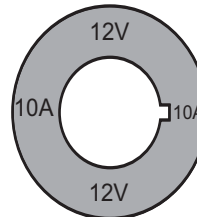
16



21



17



22



13



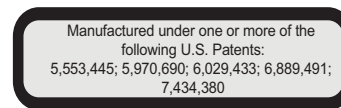
19



18



14



23

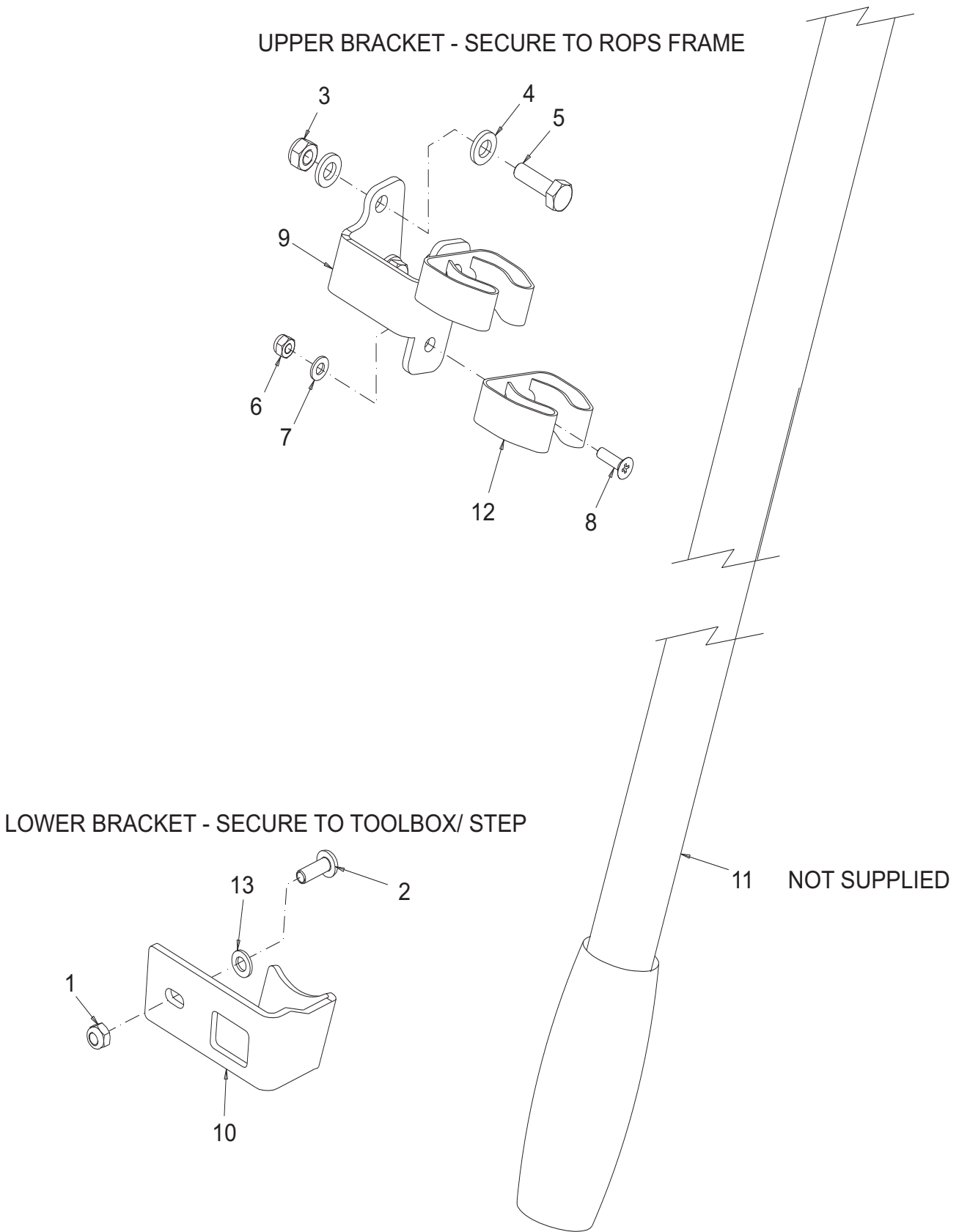


24



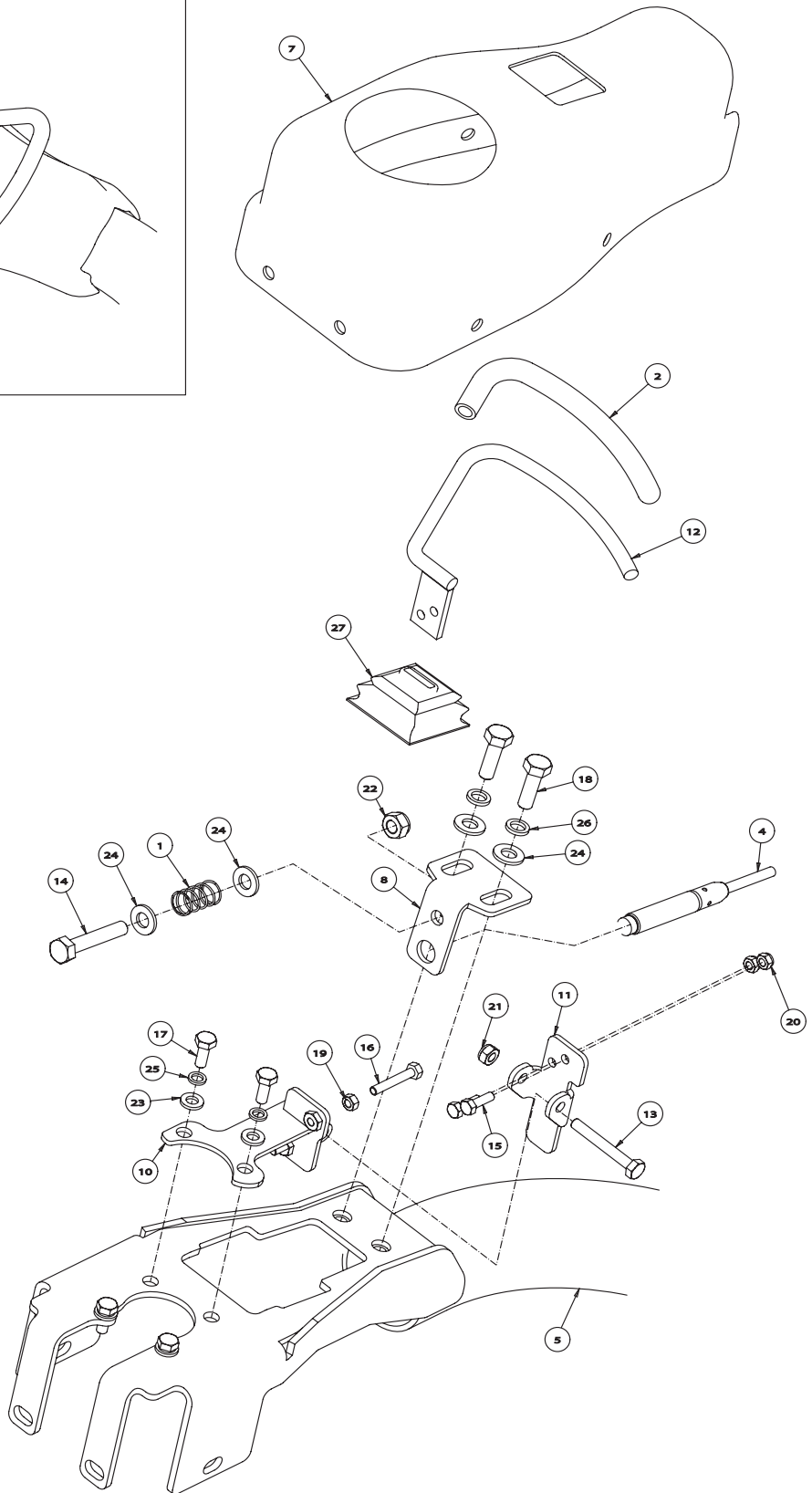
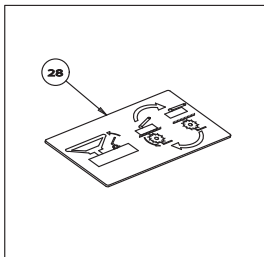
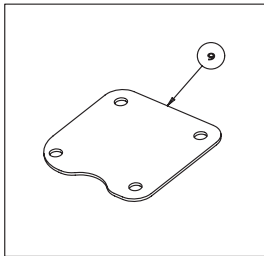
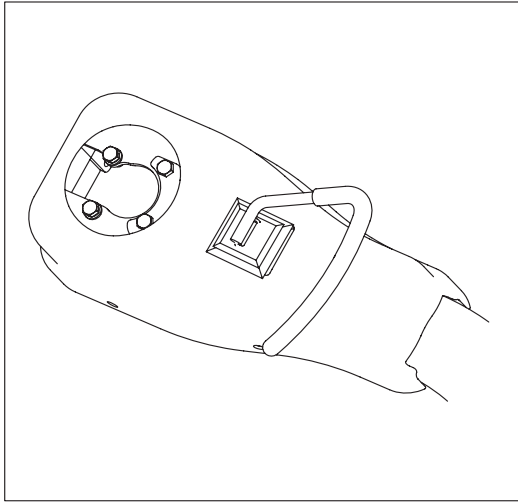
25

ITEM	PART NO.	DESCRIPTION	QTY.	REMARKS
1	009114380	Decal- Fasten Seat Belt	1	
2	4240162	Decal- GP400 Jacobsen Logo	1	
3	009034880	Decal- Fan	1	
4	009034920	Decal- Hot	1	
5	9034930	Decal- Hyd Press Leak	1	
6	9114100	Decal- Battery	1	
7	9114240	Decal- Petrol, Hazard	1	
8	9039700	Decal- Parking Brake	1	
9	4118415	Decal- Coolant Hazard	1	
11	4244790	Decal- GP400 Name (CHASSIS)	2	
12	4178900	Decal- Low Sulphur Fuel	1	
13	4111407	Decal- 2" BioFluid	1	
14	4240263	Decal- Group Instruction	1	
15	4164860	Decal- Hydraulic Fluid	1	
	4241162	Decal- Set Of Decals	1	
16	840065	Decal- Speed Control	1	
17	4146700	Decal- Plus+1 Error Codes	1	
18	009114300	Decal- Jacking Point	3	
19	4144565	Decal- Engine Throttle	1	
20	4247470	Decal- Centre Unit Sequence	1	
21	009034770	Decal- Noise 105dB	1	
22	4164660	Decal- Auxiliary Power Socket 12V	1	
23	4241302	Decal- GP400 Patents	1	
24	4286491	Decal- EPA GP400 Gas	1	
25	009114340	Decal- Diesel, Hazard	1	



ITEM	PART NO.	DESCRIPTION	QTY.	REMARKS
1	450376	Nut-Hex M5 Nyloc	1	
2	450527	Scrw-Pan HD M5 x 14	1	
3	450377	Nut-Hex M6 Nyloc	2	
4	450389	Wshr-M6 x 12.5 x 1.8	4	
5	450171	Scrw-Hex M6 x 20	2	
6	452717	Nut-Hex M4 Nyloc	2	
7	450387	Wshr-M4 x 9 x 0.9	2	
8	450595	Scrw-CSK M4 x 14	2	
9	4237602	Upper Whip Bracket	1	
10	4237603	Lower Whip Bracket	1	
11		Dew Whip	1	(Reference Only)
12	3008369	Holder, Rake	2	
13	450388	Wshr-M5 x 10 x 1.1	1	

Illustration Number: LMAC412_rev d

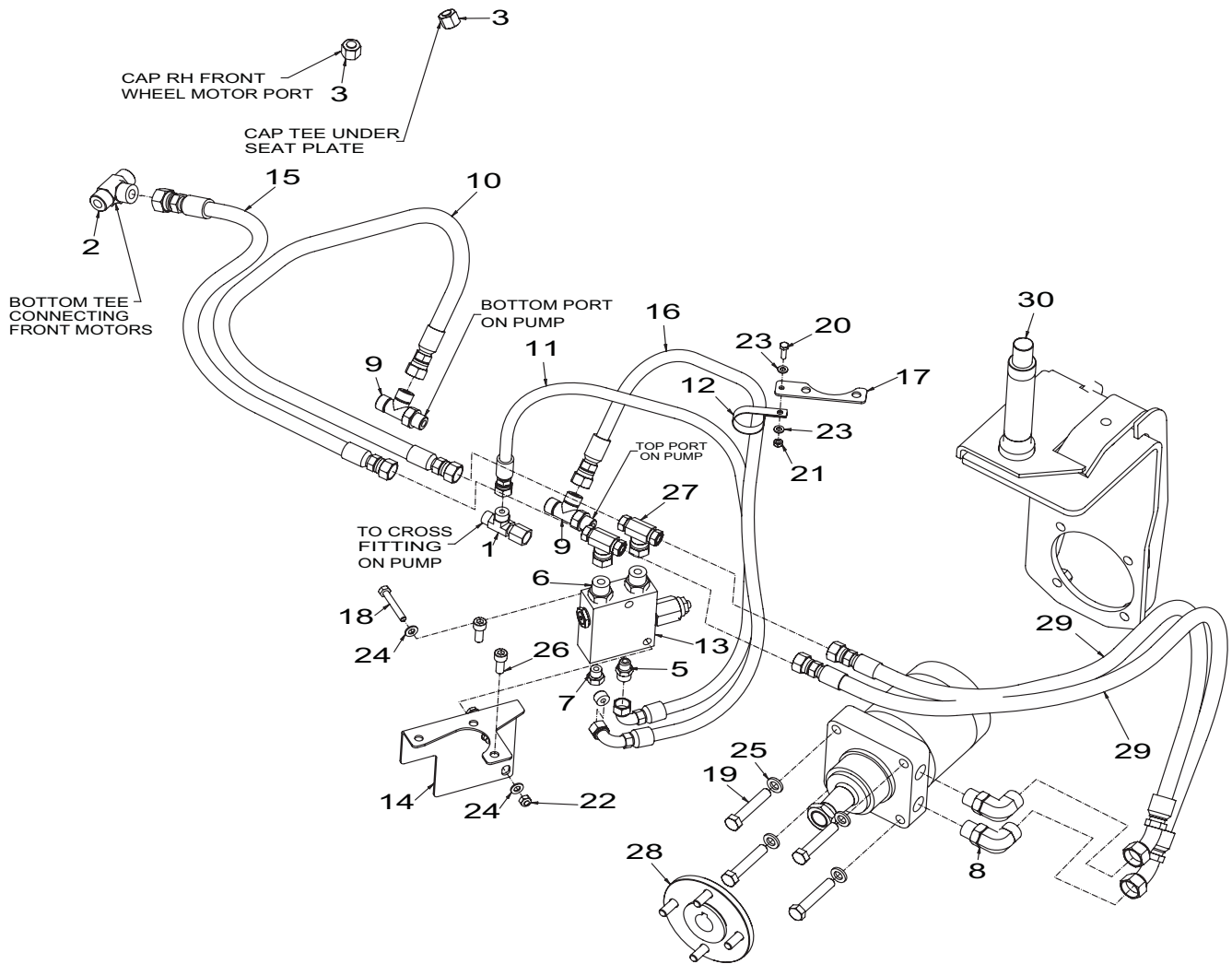


ITEM	PART NO.	DESCRIPTION	QTY.	REMARKS
1	002910540	Sprg-Comp 14 x 1 x 25	1	
2	008955190	Softex Grip 8mm ID	1	
4	4197063	Inductive Sensor	1	
5	4208220	Steering Arm	1	
7	4235960	Top Cover Paddle	1	
8	4235962	Bracket-Prox Switch	1	
9	4235963	Plate-Joystick Blank	1	
10	4236080	Wldmt-Pivot Hinge	1	
11	4236083	Lever Arm-Paddle	1	
12	4244970	Wldmt-Paddle Lever	1	
13	450004	Bolt-Hex M6 x 45	1	
14	450017	Bolt-Hex M8 x 45	1	
15	450151	Scrw-Hex M5 x 16	2	
16	450154	Scrw-Hex M5 x 302		
17	450170	Scrw-Hex M6 x 16	4	
18	450192	Scrw-Hex M8 x 25	2	
19	450322	Nut-Hex M5	2	
20	450376	Nut-Hex M5 Nyloc	2	
21	450377	Nut-Hex M6 Nyloc	1	
22	450378	Nut-Hex M8 Nyloc	1	
23	450389	Wshr-M6 x 12.5 x 1.8	4	
24	450390	Wshr-M8 x 17 x 1.8	4	
25	450410	Lock Washer-M6 x 9.6 x 1.5	4	
26	450411	Lock Washer-M8 x 12.75 x 2	2	
27	4236822	Gaiter	1	
28		Decal	1	

PARTS MANUAL-GP 400

LMAC 4183 WHEEL DRIVE KIT

Illustration Number: LMAC418 rev c



ITEM	PART NO.	DESCRIPTION	QTY.	REMARKS
1	002498400	TEE-M/F/M 11/16 ORS	1	
2	002540050	TEE-M/F/M 1" ORFS	1	
3	002568020	CAP-11/16 ORS	2	
4	008006930	MOTOR, HYD	1	
5	158006-01	FTG-MM 11/16 ORS x 9/16 SAE	1	
6	158006-06	FTG-MM 13/16 ORS x 7/8 SAE	2	
7	158007-01	90-M/M 11/16 ORS x 9/16 SAE	1	
8	158007-05	90-M/M 1 ORS x 7/8 SAE	2	
9	158056-01	TEE-3/4 SAE - 13/16" ORFS	2	
10	4147139	HYDRAULIC HOSE	1	
11	4147141	HYDRAULIC HOSE	1	
12	523213	CUSHIONED P-CLIP	1	
13	4187320	3WD VALVE	1	
*	4187401	• P.O. Spool Valve	1	Torque 60Nm
*	4187402	• Check Valve	1	Torque 60Nm
*	4187901	• Oriface Plug	1	Torque 2.0 to 2.5 Nm
*	4187900	• Oriface Plug	1	Torque 2.0 to 2.5 Nm
*	4171447	• Blanking Plug 3/8"	1	Torque 20Nm
14	4239842	BRACKET 3WD VALVE	1	
15	4240303	HYDRAULIC HOSE	1	
16	4240304	HYDRAULIC HOSE	1	
17	4248590	BRACKET-3WD HOSE CLAMP	1	
18	450019	BOLT-HEX M8 x 55	2	
19	451110346	BOLT-HEX 1/2-13 x 2-3/4	4	
20	450171	SCRW-HEX M6 x 20	1	
21	450377	NUT-HEX M6 NYLOC	1	
22	450378	NUT-HEX M8 NYLOC	2	
23	450389	WSHR-M6 x 12.5 x 1.8	2	
24	450390	WSHR-M8 x 17 x 1.8	4	
25	452200176	LOCKWSHR-1/2 x .873 x .125	4	
26	450738	CAPSCRW-SCKT M10 x 25	2	
27	844082	TEE-13/16" ORFS	2	
28	844679.6	WHHEL HUB	1	
29	845274	HYDRAULIC HOSE	2	
30	894728.6	WLDMT-3WD FORK	1	
*	008155160	Wheel Stud 7/16-20 x 1-3/8	4	
*	450990638	Wheel Nut	4	



Europe & Rest of The World Except North & South America

Ransomes Jacobsen Limited
West Road, Ransomes Europark, Ipswich, IP3 9TT
English Company Registration No. 1070731
www.ransomesjacobsen.com

North & South America

Jacobsen, A Textron Company
11108 Quality Drive, Charlotte,
NC 28273, USA
www.Jacobsen.com