



## Parts Manual

---

### **JACOBSEN** Fairway 305

Series: CG000301 onwards - Engine type: Kubota V1505  
Product code: JGPP010

Series: CG200301 onwards - Engine type: Kubota V1505 - Turbo  
Product code: JGPP010T



WARNING: If incorrectly used this machine can cause severe injury. Those who use and maintain this machine should be trained in its proper use, warned of its dangers and should read the entire manual before attempting to set up, operate, adjust or service the machine.



English

RJL 100 March 2012

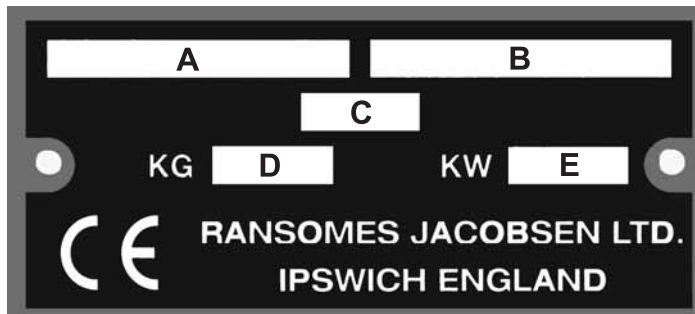


DESCRIPTION	PAGE
PRODUCT IDENTIFICATION.....	2
SPARES STOCKING GUIDE .....	2
SERVICE PARTS .....	3
HOW TO USE THE PARTS MANUAL.....	4
GUIDELINES FOR THE DISPOSAL OF SCRAP PRODUCTS.....	5
FRAME AND REAR AXLE.....	6
ENGINE MOUNTING.....	10
ENGINE/HYDRAULIC TRANSMISSION DRIVE .....	12
ENGINE PARTS .....	14
SERVO PUMP & THROTTLE CONTROLS.....	16
FILTER MOUNTING .....	20
STEERING WHEEL & PEDAL MOUNTING .....	22
FRONT LIFT ARM MOUNTING.....	28
REAR LIFT ARM MOUNTING .....	32
DRIVE WHEELS & BRAKES.....	36
HYDRAULIC RESERVOIR & FUEL TANK.....	38
RADIATOR & OIL COOLER MOUNTING .....	42
BONNET HINGE ARRANGEMENT / REAR BUMPER .....	48
SEAT MOUNTING .....	50
SEAT GRAMMER MSG 85 SEAT (4137966) - SUSPENSION .....	52
SEAT GRAMMER MSG 85 SEAT (4137966) -SEAT TOP .....	54
SEAT BREAKDOWN GRAMMER (S 85 / 90R).....	56
SEAT SUSPENSION BREAKDOWN GRAMMER DS85H.....	60
ELECTRICS - INSTRUMENT PANEL .....	64
ELECTRICS - VARIOUS COMPONENTS.....	66
HYDRAULIC VALVE MOUNTING .....	68
HYDRAULIC TRACTION CIRCUIT .....	72
HYDRAULIC CUTTINGS / STEERING / LIFT CIRCUIT .....	76
VALVE 4 WHEEL DRIVE.....	82
SERVO TRANSMISSION PUMP - SAUER SUNDSTRAND .....	84
TANDEM PUMP (ULTRA) .....	86
LIFT VALVE .....	88
CUTTING CYLINDER CONTROL VALVE (FWD / N / REV) .....	90
HYDRAULIC STEER GEAR .....	92
LIFT VALVE .....	94
REEL DRIVE VALVE .....	96
VALVE, REEL SPEED.....	98
HYDRAULIC TRACTION MOTOR FRONT .....	100
HYDRAULIC TRACTION MOTOR REAR .....	102
DECALS.....	104

## INTRODUCTION

### PRODUCT IDENTIFICATION

---



- A Machine Name
- B Serial Number
- C Year of Manufacture
- D Machine Weight
- E Engine Power

### SPARES STOCKING GUIDE

To keep your equipment fully operational and productive, Ransomes suggests you maintain a stock of the more commonly used maintenance items. We have included part numbers for the additional support materials and training aids.

SERVICE SUPPORT MATERIAL			
Part No.	Description	Part No.	Description
97898-0334-0	Engine Parts Manual	24594G	Safety and Operators Manual
16622-8916-2	Engine Operators Manual	24493G	Safety and Operators Manual
97897-0088-0	Engine Service Manual	-	Machine Service Manual



## HOW TO USE THE PARTS MANUAL

### ITEM NUMBER

Each part which is identified in the illustrations has an item number. Parts which do not have an item number may not be readily identified in the illustration but are usually closely associated with the immediately adjacent part.

### ASSEMBLIES

A complete assembly, e.g. a wheel motor or hydraulic motor or roll assembly, is listed as a complete item with subsequent individual components listed separately.

The assembly is listed under its part number with component parts being listed offset to the right, e.g.:-

ITEM	PART NO.	DESCRIPTION	QTY	REMARKS
4295	MBG2504	Bracket	1	
4296	MBG3848	Latch	2	
4298	450865	Screw, M8 X 20, Sckt Csk Hd	2	
4300	450378	Nut, M8 Nyloc	2	
4301	WI001	Set Of Wheels	1	
4301.1	008162130	• Wheel & Hub Assy	1	(Rear)
4301.2	008170390	•• Tyre	1	
4301.3	008161830	•• Rim	1	
4301.4	008169140	•• Hub Assy.	1	
4301.5	008169150	•• Cap	1	
4301.6	002993010	•• Lubricator	1	
4301.7	008161990	• Wheel & Tyre	2	(Front)
4301.8	008170780	•• Tyre	2	

It may not be possible to illustrate every item. With certain items purchased from outside suppliers some component parts may not be available from Ransomes and may need to be specially ordered from the supplier.

### QUANTITIES

Quantities shown are for one assembly or sub-assembly.

### USING THE PARTS LIST

Determine the function and application of the part required. Turn to the main index page and select the appropriate section. Locate the part on the illustration and parts list and read off the quantity from the appropriate MODEL column.

### NUMERICAL INDEX

This is a summary of all part numbers used in the manual arranged in numerical sequence and showing the page and item number under which the parts appear.

### ORDERING OF SPARE PARTS

When ordering replacement parts, it is most important to quote the SERIAL NUMBER of the machine, PART NUMBER, DESCRIPTION and QUANTITY required.

Any arbitrary modifications carried out on this machine may relieve the manufacturer of liability for any resulting damage or injury.

### ABBREVIATIONS

N/A Not Available

ARAs Required

## GUIDELINES FOR THE DISPOSAL OF SCRAP PRODUCTS

### DURING SERVICE LIFE

Used oil, oil filters and engine coolant are hazardous materials and should be handled in a safe and environmentally responsible way.

In the event of a fluid leak, contain the spill to prevent it entering the ground or drainage system. Local legislation will dictate how such spills are to be treated.

Following the maintenance procedures laid out in this manual will ensure that the impact the machine has on the local environment is controlled.

When it has been identified that a turf care product has no further functional value and requires disposal, the following actions should be taken.

### END OF SERVICE LIFE

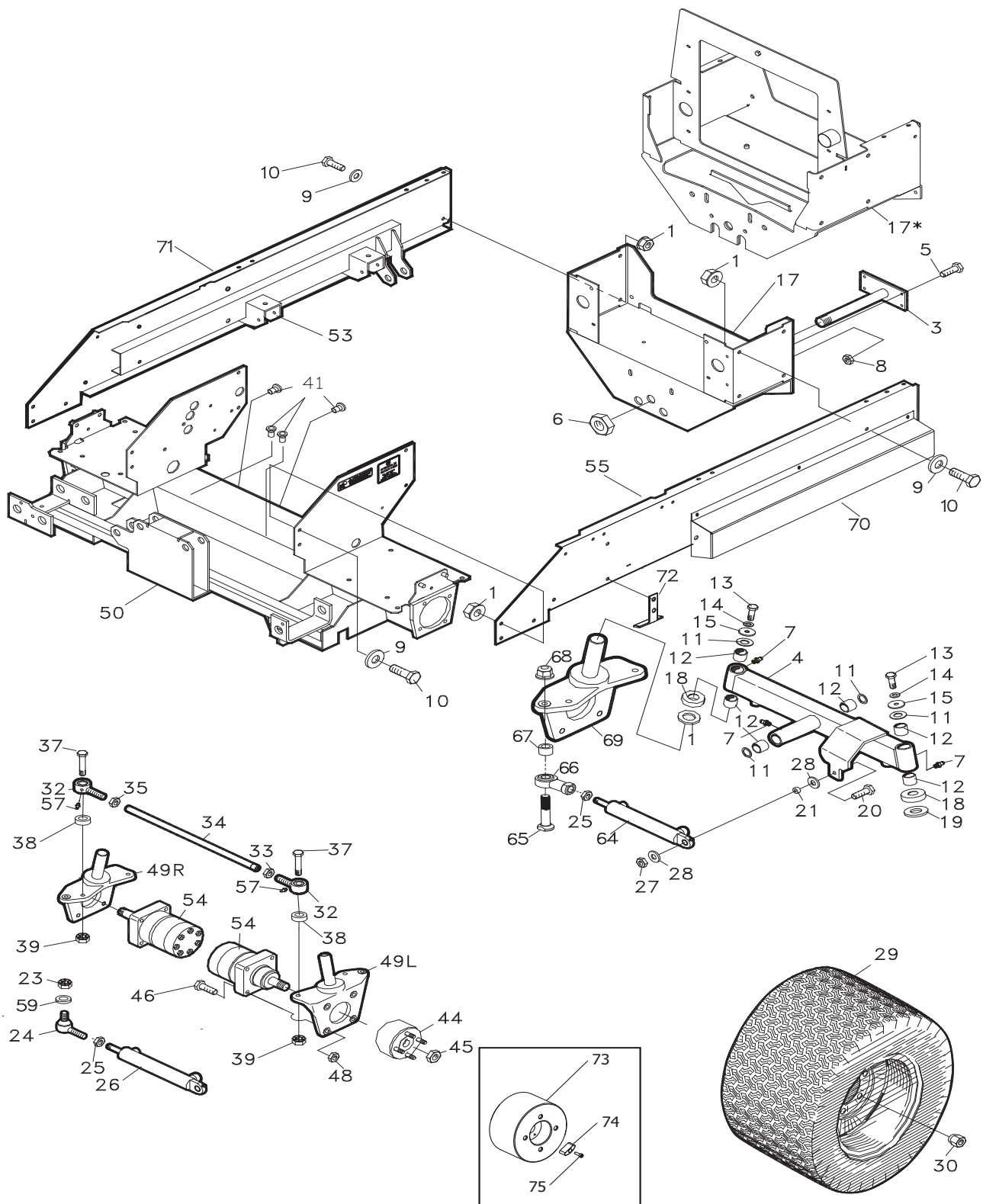
These guidelines should be used in conjunction with applicable Health, Safety and Environmental legislation and use of approved local facilities for waste disposal and recycling.

- Position the machine in a suitable location for any necessary lifting equipment to be used.
- Use appropriate tools and Personal Protective Equipment (PPE) and take guidance from the technical manuals applicable to the machine.
- Remove and store appropriately:
  1. Batteries
  2. Fuel residue
  3. Engine coolant
  4. Oils
- Disassemble the structure of the machine referring to the technical manuals where appropriate. Special attention should be made for dealing with 'stored energy' within pressurised elements of the machine or tensioned springs.
- Any items that still have a useful service life as second hand components or can be re-serviced should be separated and returned to the relevant centre.
- Other worn out items should be separated into material groups for recycling and disposal consistent with available facilities. More common separation types are as follows:
  - Steel
  - Non ferrous metals
    - Aluminium
    - Brass
    - Copper
  - Plastics
    - Identifiable
    - Recyclable
    - Non recyclable
    - Not identified
  - Rubber
  - Electrical & Electronic Components
- Items that cannot be separated economically into different material groups should be added to the 'General waste' area.
- Do not incinerate waste.

Finally update machinery records to indicate that the machine has been taken out of service and scrapped. Provide this serial number to Ranmsomes Jacobsen Warranty department to close off relevant records.

# JACOBSEN FAIRWAY 305 SERIES: CG

## FRAME AND REAR AXLE

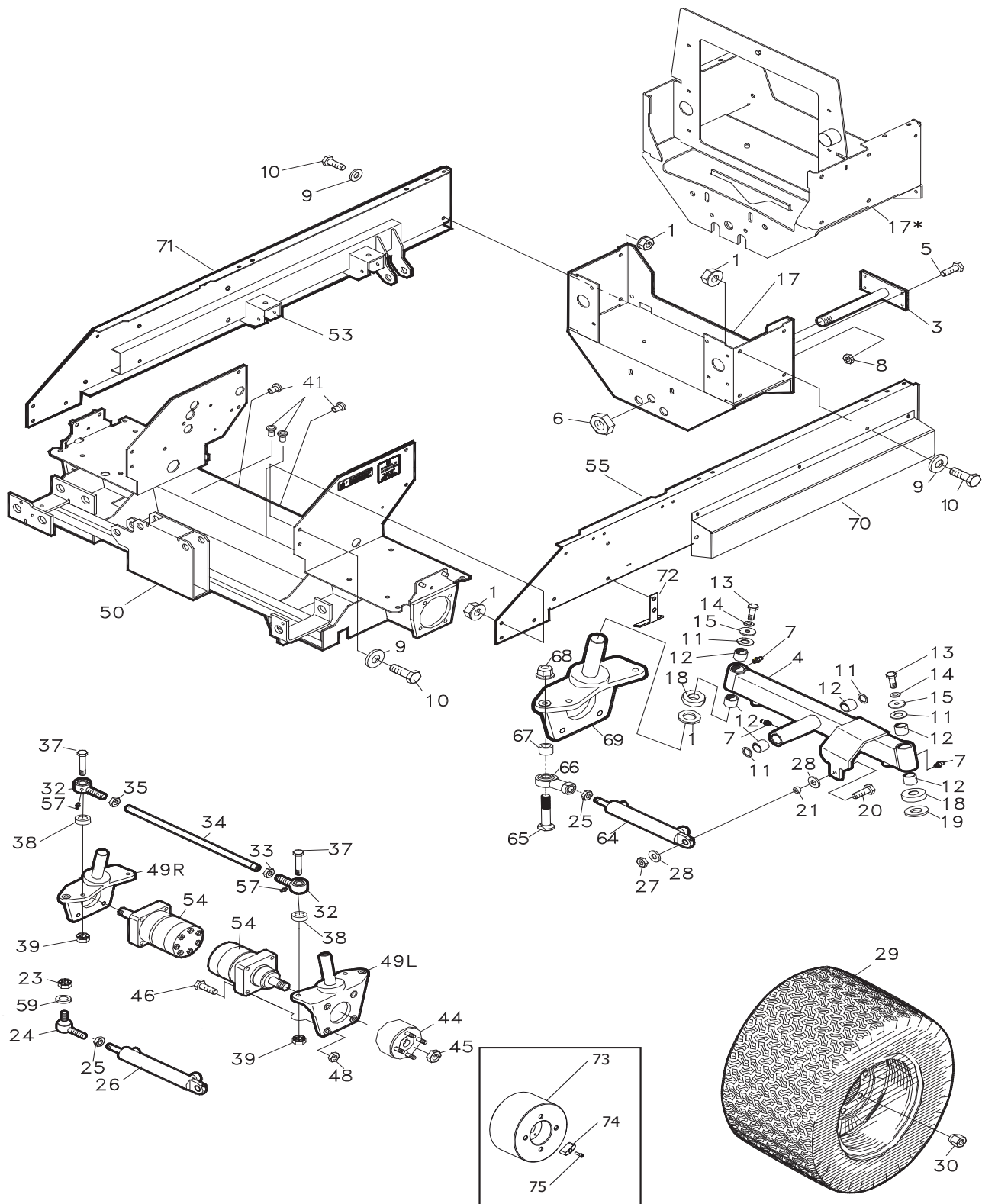




ITEM	PART NO.	DESCRIPTION	QTY.	REMARKS
1-1	450380	LOCKNUT NYLOC M12-1.75	14	
1-3	2206030.07	WLDMT REAR AXLE PIVOT	1	
1-4	2206013G.07	REAR AXLE ASSY	1	
1-5	450191	BOLT M 8 - 1.25X20	4	
1-6	001393820	NUT HEX 1-1/4-12 NYLOC	1	
1-7	842000044	1/4" STR GREASE NIPPLE	3	
1-9	450392	WASHER, M12	12	
1-10	450241	BOLT M12-1.75X30	14	
1-11	62464-4A	WASHER, THRUST	4	
1-12	W108003	BUSHING	6	
1-13	450213	BOLT-M10-1.5X20	2	
1-14	450412	LOCKWASHER M10	2	
1-15	64163-17	WASHER 25/64 x 2 x 11GA	2	
1-17	2206052D.07	WLDMT-REAR FRAME	1	PRE CG000XXX MACHINES
1-17*	4247271	WLDMT-REAR FRAME	1	POST CG000XXX MACHINES
1-18	2721223	THRUST BEARING	2	
1-19	173042	SPACER-SPINDLE	2	
1-20	451030667	BOLT HEX 1/2-20 X 2.5"	1	
1-21	2203049	BUSHING-STEERING CYL	1	
1-23	001399024	NUT, 7/16-20 NYLOC	1	
1-24	008145490	TRACK ROD END	1	
1-25	800490	NUT M14 - I.5	1	
1-26	198040	CYLINDER, STEERING	1	To S/N CG200696
	198040-01	• SEAL KIT	1	
1-26	4244282	D/A HYD CYL, 20 x 203.2, STEERING	1	From S/N CG200697
1-27	001399032	1/2-20 HEX LOCKNUT	1	
1-28	H083081	DISK SPRING (31.5x16.3x1)	AR	
1-29	4237070	WHEEL & TYRE ASSY 20 x 10 x 8	2	
	4233962	• TYRE 20 x 10 x 8 4 PLY OTR	1	
	4222546	• RIM 8 x 7	1	
	4220940	• TYRE VALVE ASSY	1	
1-30	001341110	WHEEL NUT 1/2 - 20	8	Torque 80Nm
1-32	008145418	ROD END	2	
1-33	450334	NUT M16 THIN	2	
1-34	MBG2163.07	TIE ROD	1	
1-35	64025-16	NUT 5/8 - 18 RH	1	
1-37	001009740	BOLT-HEX M16 x 70 (10.9)	2	
1-38	MBF1270A	SPACER	2	
1-39	450328	M16 NYLOC	2	
1-41	450372	M10 NUTSERT	4	
1-44	MBG0969A.07	WHEEL HUB (WEIGHT)	2	
*	450971	SET SCREW M8 x 20	2	
*	450968	SET SCREW M8 x 10	2	
*	456800237	STUD-1/2-20 x 1-1/2	8	

# JACOBSEN FAIRWAY 305 SERIES: CG

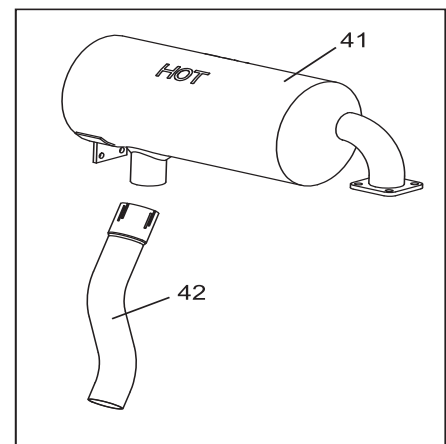
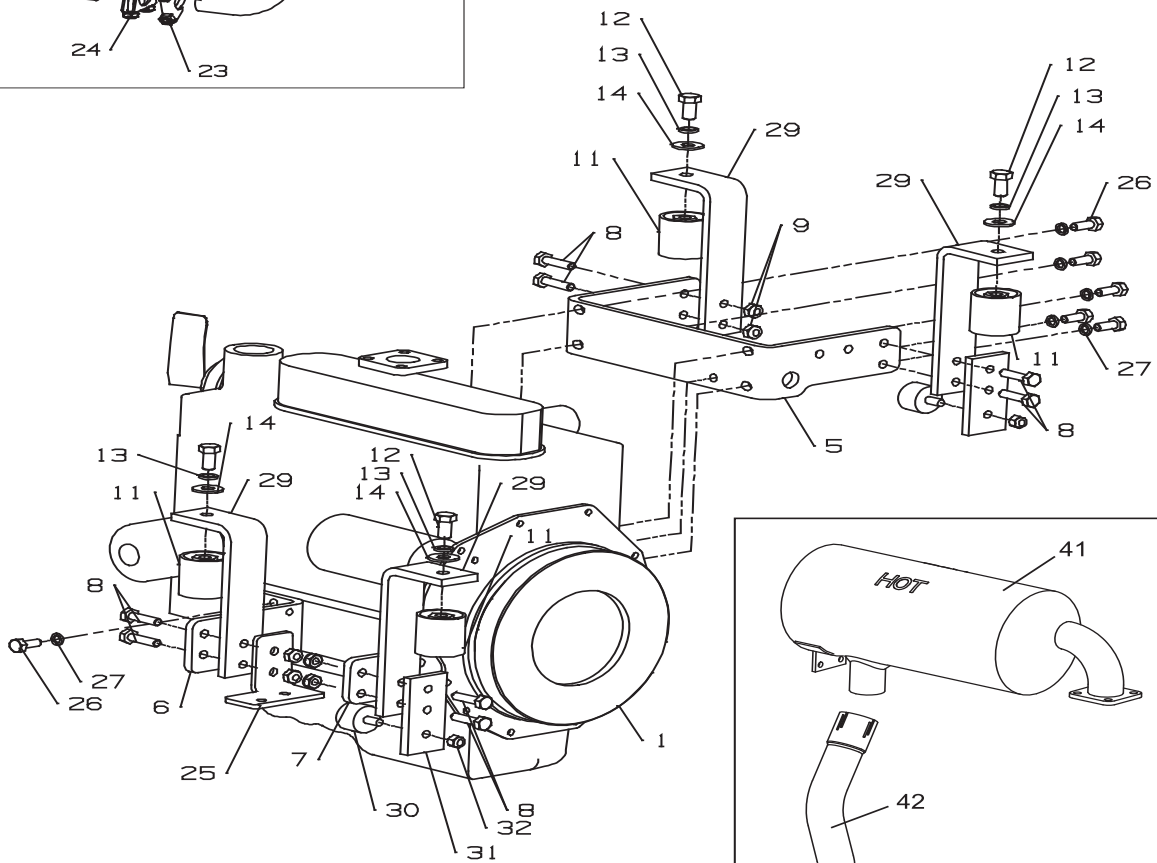
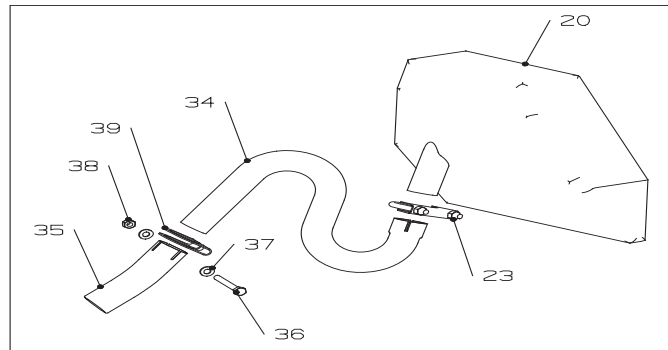
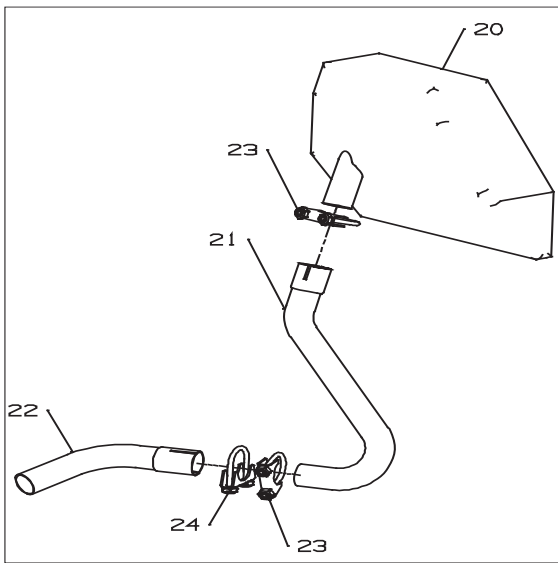
## FRAME AND REAR AXLE



JACOBSEN FAIRWAY 305 SERIES: CG

ITEM	PART NO.	DESCRIPTION	QTY.	REMARKS
1-45	MBF1355	NUT 1-20 UNSLOTTED TRW	2	Torque 270Nm
1-46	450056	BOLT-M12-1.75X80	8	
1-48	450379	NUT-HEX M12-1.75	8	
1-49L	MBG5538.07	PLATE MOTOR LH	1	
1-49R	MBG5537.07	PLATE MOTOR RH	1	
1-50	MBF0199J.07	FRAME FRONT	1	
1-53	MBF0644F.07	WLDMNT-FRAME RAIL RH	1	
*	MBG5363.07	BRACKET LH	1	FOR HOSES REAR MOTORS
*	MBE1265.07	HOSE BRACKET	2	FOR HOSES REAR MOTORS
1-54	148141-07	WHEEL MTR ME21 0208MBT	2	
-	148138	SEAL KIT (USE KEY 64164-08)		
1-55	2206024H.07	WLDMNT-FRAME RAIL LH	1	
*	MBG5362.07	BRACKET RH	1	FOR HOSES REAR MOTORS
*	MBE1265.07	HOSE BRACKET	2	FOR HOSES REAR MOTORS
1-57	35027N	GREASE ZERK	2	
1-58	64140-3	COTTER PIN 3/32 X 3/4	1	
*	MBG5372.07	HOSE COVER LH	1	
*	MBG5371.07	HOSE COVER RH	1	
1-59	4138307	WASHER	1	
1-59	4138307	WASHER	1	
1-64	4140176	STEERING RAM	1	
1-64	4244282	D/A HYD CYL, 20 x 203.2, STEERING	1	From S/N CG200697
1-65	MBF1544A	BOLT-MOTOR MOUNT	1	
1-66	008145530	ROD END	1	
1-67	4141565	SPACER(25x16.2x17.5Lg)	1	
1-68	452439	NUT-Hex M16 Flng Nyloc	1	
1-69	4140252	PLATE-REAR MOTOR RH	1	
1-70	4151758	L/H HOSE COVER	1	
1-71*	4151757	R/H HOSE COVER	1	
1.72	4151637	HOSE BRACKET	2	
1.73	4193480	Hub	2	from s/n CG200546
1.74	4192800	Hub Nut Lock	2	from s/n CG200546
1.75	4188560	Capscrew M6 x 20	2	from s/n CG200546

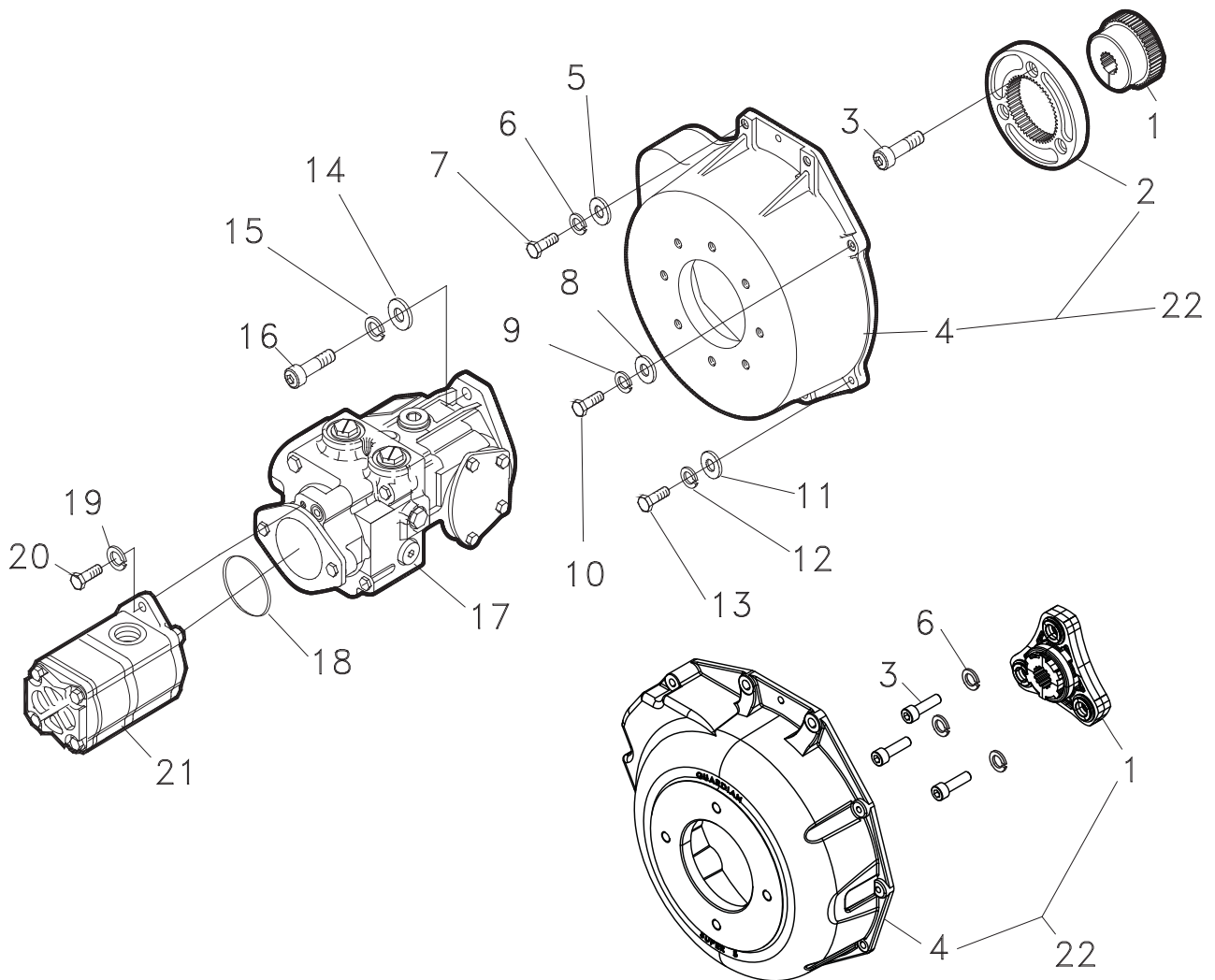
ENGINE MOUNTING



ITEM	PART NO.	DESCRIPTION	QTY.	REMARKS
2-1	006821820	ENGINE - V1505	1	NON TURBO
	4116764	ENGINE - V1505-TBS-1-S1	1	TURBO
2-5	MBG6851	ENGINE BRKT RH	1	
2-6	MBG6852	ENGINE BRKT LH REAR	1	
2-7	MBG6853	ENGINE BRKT LH FRONT	1	
2-8	450030	BOLT-HEX M10 X 40	8	
2-9	450379	NUT-HEX M10 NYLOC	10	
2-11	48380	MOUNT ISOLATION	4	
2-12	64123-73	SCRW-HEX 1/2-13 X 1	4	
2-13	452200168	LOCKWASHER-1/2 X .763 X .116	4	
2-14	001599052	WSHR-.526/.506 X 1-1/4 X 12GA	4	
*	001021090	BLT-HEX 1/2"-13X 3/4"	4	BOTTOM ENG MOUNT BOLTS
*	001599052	WSHR-.526/.506 X 1-1/4 X 12GA	4	BOTTOM ENG MOUNT WASHERS
2-20	37410-88518	EXHAUST MUFFLER	1	NON TURBO
2-21	4115821	DOWNPIPE	1	NON TURBO
*	4135618	SLEEVING	1	
*	001925570	HOSE CLAMP 34-57MM	2	
2-22	006911140	TAIL-PIPE	1	
2-23	001990070	U-CLAMP	2	
2-24	4117151	U-CLAMP 42MM	1	
2-25	MBG7077	EXHAUST BRACKET	1	
2-26	450214	SCRW-HEX M10 X 25	11	
2-27	450412	WSHR-SLW M10	11	
2-29	2202064	BRACKET ENGINE MOUNTING	4	
2-30	002994060	BUMPER STOP	2	
2-31	2202160A	STOP-REAR REEL	2	
2-32	001399105	NUT NYLOC 3/8"	2	
2-34	4121679	DOWNPIPE	1	NON TURBO
2-35	4122690	CHROME TAILPIPE	1	NON TURBO
2-36	450022	BOLT M8 X 70	1	
2-37	450390	M8 WASHER	2	
2-38	450378	M8 NYLOC	1	
2-39	006911200	EXHAUST BAND	1	
2-40	4121455	SILENCER	1	TURBO
2-41	4123939	DOWNPIPE	1	TURBO

# JACOBSEN FAIRWAY 305 SERIES: CG

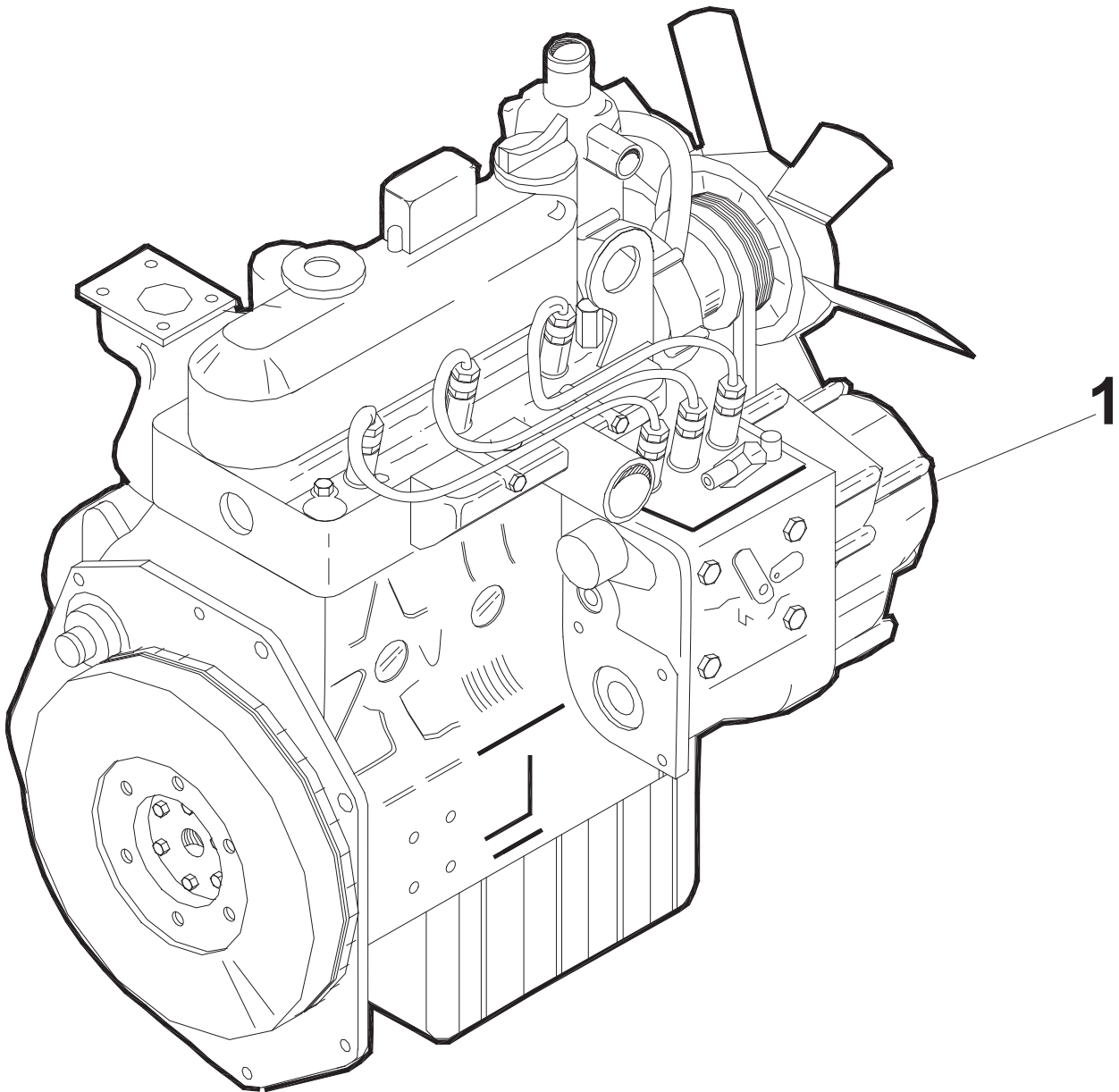
## ENGINE/HYDRAULIC TRANSMISSION DRIVE



ITEM	PART NO.	DESCRIPTION	QTY.	REMARKS
3-1	4172803	COUPLING 15T, FBA	1	To S/N DH000601
3-1	4239642	COUPLING 15T, DELTA SUPER 5	1	From S/N DH000602
3-3	001290140	CAPSCREW-SCKT M10 X 1.25X 30	3	
3-4	4196202	BELL HOUSING	1	
3-5	450391	WSHR-M10 X 21 X 2.2	2	
3-6	450412	WSHR-SLW M10 X 15.9 X 2.5	5	
3-7	001191520	SCREW-HEX M10 X 1.25 X 35	2	
3-8	450390	WSHR-M8 X 17 X 1.8	1	
3-9	450411	WSHR-SLW M8 X 12.75 X 2	1	
3-10	450015	BOLT-HEX M8 X 35	1	
3-11	450390	WSHR-M8 X 17 X 1.8	3	
3-12	450411	WSHR-SLW M8 X 12.75 X 2	3	
3-13	450014	BOLT-HEX M8 X 30	3	
3-14	450392	WSHR M12	2	
3-15	452200168	WSHR-SLW 1/2" X .768 X .116"	2	
3-16	800770	SCREW, 5-13 1.75 BS HS G8	2	
3-17	008006380	TRANSMISSION PUMP	1	
*	008008860	SEAL KIT FOR 008006380	1	
3-18	W158061-04	O-RING 3.237 ID X .103 SECT	1	
3-19	452200087	WSHR-SLW 3/8" X .590" X .092"	2	
3-20	451110134	BOLT-HEX 3/8" UNC X 1-1/2"	2	
3-21	008005940	TANDEM PUMP	1	
3-22	4176382	BELL HOUSING KIT	1	CONSISTS OF ITEMS 1 & 4

ENGINE PARTS

---

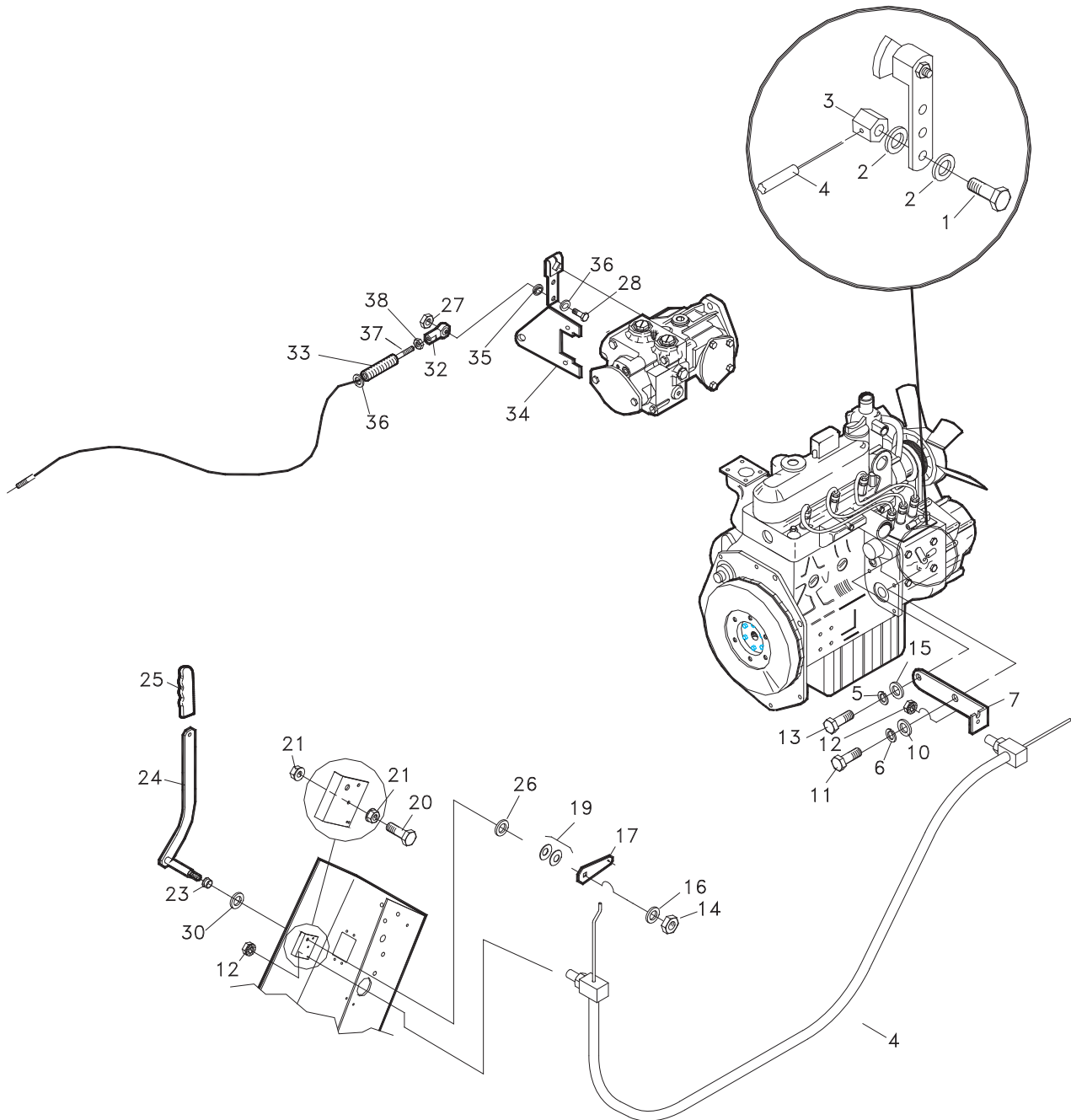




ITEM	PART NO.	DESCRIPTION	QTY.	REMARKS
		NON TURBO ENGINE		
4-1	006821820	ENGINE - V1505-TBB-EC-1-S1	1	
*	16271-32092	OIL FILTER	1	
*	13351-43010	IN-LINE FUEL FILTER	1	
*	15221-43080	CARTRIDGE FUEL FILTER	1	
*	16851-51210	ELECTRIC FUEL PUMP	1	
*	16249-74287	FAN DRIVE PULLEY	1	
*	16241-64010	ALTERNATOR	1	
*	16616-60010	ELECTRIC STOP SOLENIOD	1	
*	006911340	FAN 8 BLADE	1	
*	2203099	SPACER, FAN	1	
*	450002	BOLT-HEX M6 X 35	4	
*	450410	WSHR-SLW M6	4	
*	16292-72001	RADIATOR KIT	*	
*	16292-72061	RADIATOR	1	
*	16286-72851	HOSE-RADIATOR, LOWER	1	
*	16296-72941	HOSE-RADIATOR, UPPER	1	
*	36200-82721	CLAMP	4	FOR RADIATOR HOSES
	15531-72403	EXPANSION BOTTLE	1	
*	19059-72091	BREATHER PIPE EX KUBOTA	1	
		TURBO ENGINE		
4-1	4116764	ENGINE - V1505-TBS-1-S1	1	
*	16271-32092	OIL FILTER	1	
*	13351-43011	CARTRIDGE FUEL FILTER	1	
*	16851-52030	ELECTRIC FUEL PUMP	1	
*	16282-97011	FAN BELT	1	
*	16249-74281	FAN DRIVE PULLEY	1	
*	19005-72702	WATER PUMP	1	
*	16616-60010	ELECTRIC STOP SOLENIOD	1	ENERGISE TO RUN
*	16259-60250	RELAY FOR STOP SOLENIOD	1	
*	16241-64011	ALTERNATOR (12V-480W)	1	
*	16241-97011	FAN BELT	1	ALTERNATOR
*	16217-74251	FAN PULLEY	1	
*	006911340	FAN 8 BLADE	1	
*	2203099	SPACER, FAN	1	
*	450002	BOLT-HEX M6 X 35	4	
*	450410	WSHR-SLW M6	4	
	15531-72403	EXPANSION BOTTLE	1	
*	19059-72091	BREATHER PIPE EX KUBOTA	1	

# JACOBSEN FAIRWAY 305 SERIES: CG

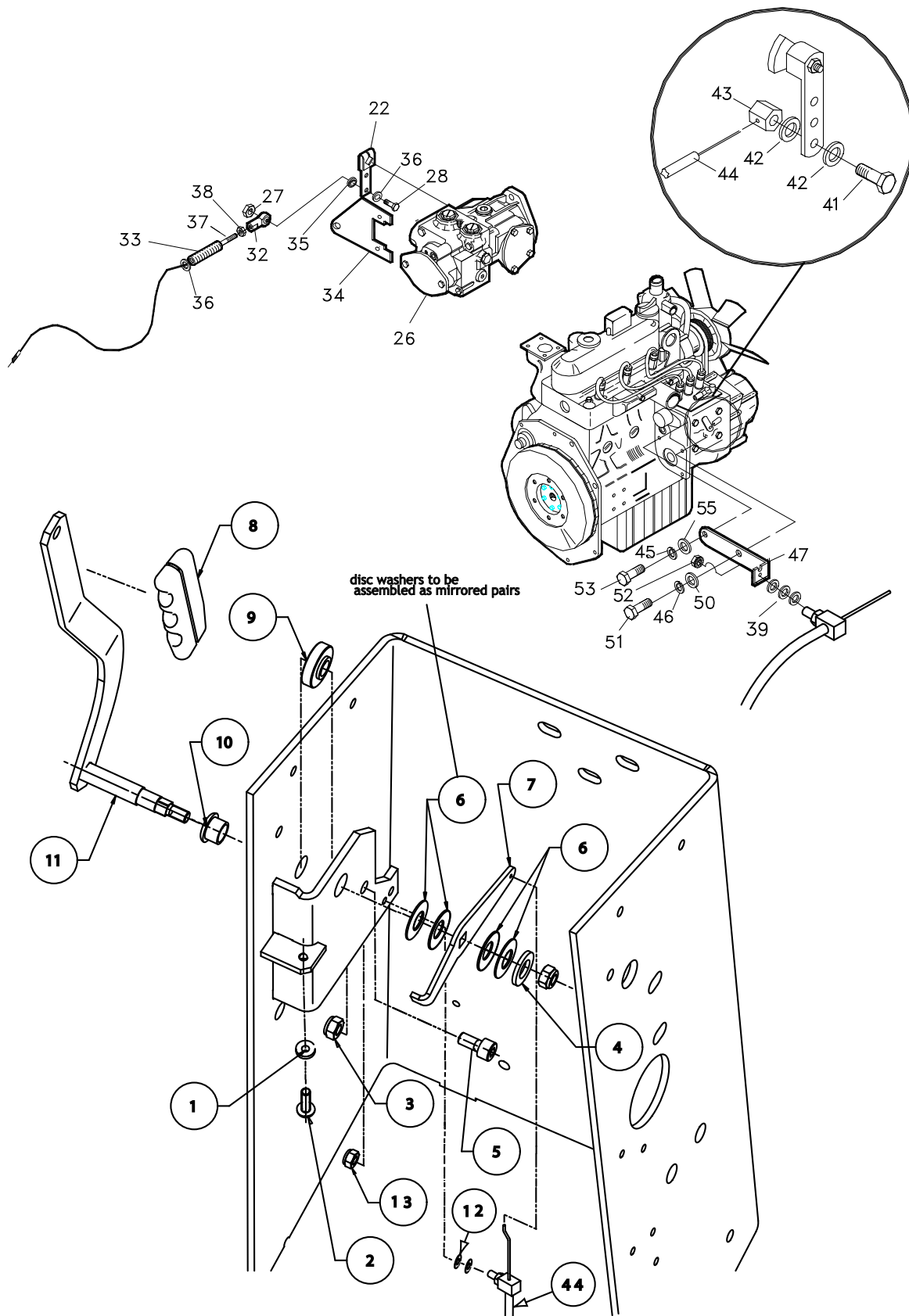
## SERVO PUMP & THROTTLE CONTROLS (Before Serial NumberCG200538)



ITEM	PART NO.	DESCRIPTION	QTY.	REMARKS
5-14	56010161	SCRW-HEX 5/16-24X1/2	1	
5-2	002920501	DISC SPRING	2	
5-3	172084	CLAMP-THROTTLE	1	
5-4	W148057-03	CABLE-THROTTLE	1	
5-5	450411	S.L. WASHER, M8	1	
5-6	450412	S.L. WASHER, M10	1	
5-7	MBG2027A	THROTTLE BRACKET	1	
5-8	W022372	B&S CABLE CLAMP	2	
5-9	450170	SCRW-HEX M6 X 16	2	
5-10	450391	WASHER, M10	1	
5-11	001190327	SCREW M10 X 20 1.25	1	
5-12	450377	NUT NYLOC M6	2	
5-13	450191	SCRW, M8 X 20, HEX HD	1	
5-14	452436	NUT, M8 FLANGED	1	
5-15	450390	WASHER, M8	1	
5-16	450392	WASHER, M12	1	
5-17	172088	THROTTLE ARM	1	
5-19	H083031	DISC SPRING	4	
5-20	450195	SCREW M8 X 40, HEX HD	2	
5-21	450324	NUT, M8	4	
5-23	W118047-02	BUSHING SLIP LOK 1/2	1	
5-24	MBF1971.07	THROTTLE LEVER ASSY CRANK	1	
5-25	4265291	GRIP	1	
5-26	MBF1691	COLLAR	1	
5-27	450323	NUT NYLOC M6	1	
5-28	450000	BOLT-HEX M6 X 25	1	
5-30	MBF1720	CLAMPING COLLAR	1	
5-32	128079	ROD END, 1/4 FEMALE	1	
5-33	002910859	SPRING	2	
5-34	MBG4501.07	CABLE BRACKET	1	
5-35	MBF1105A	BOSS	1	
5-36	450389	WASHER M6	2	
5-37	009067640	TRACTION CABLE	1	
5-38	001393141	NUT M6	1	

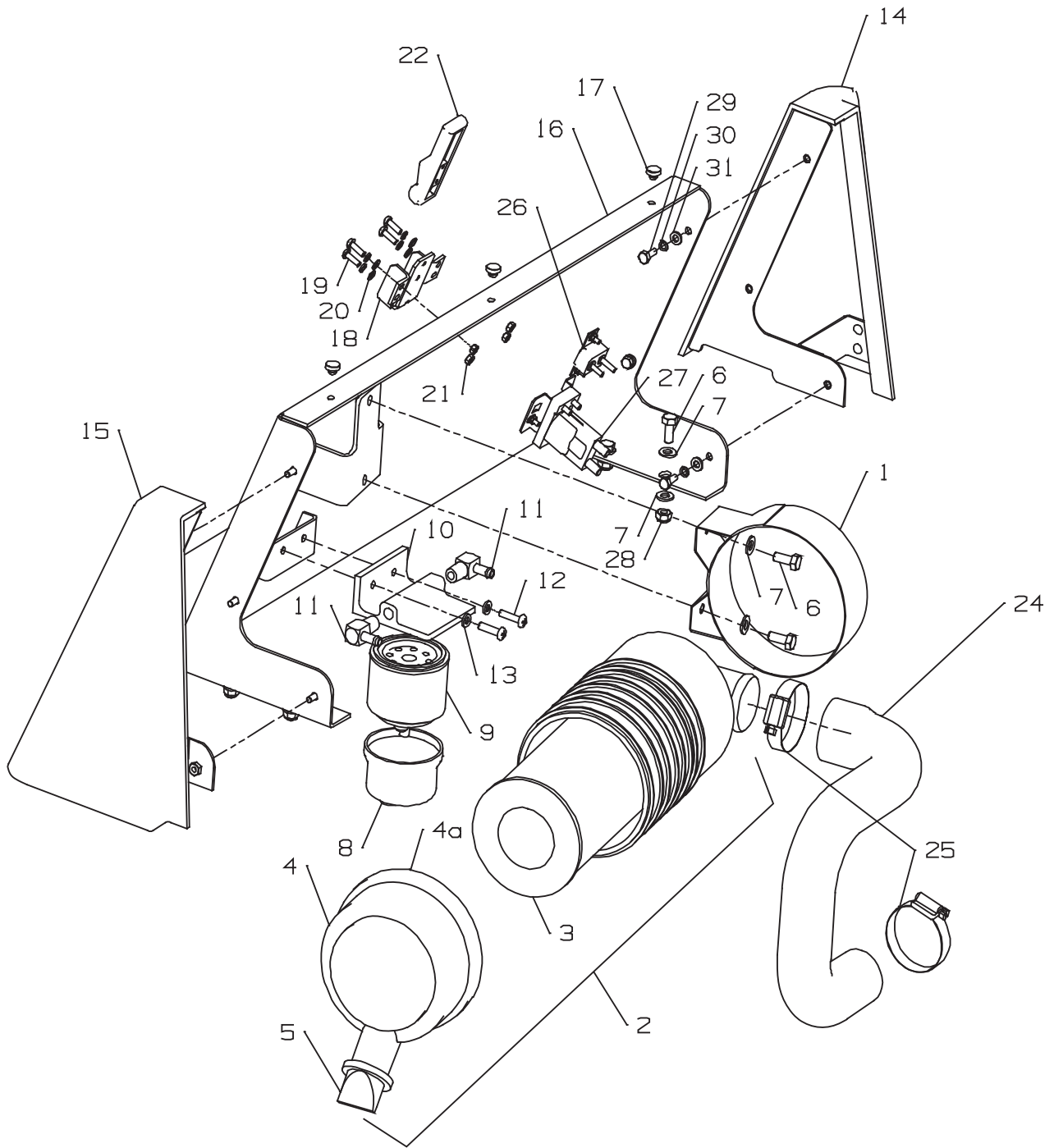
# JACOBSEN FAIRWAY 305 SERIES: CG

## SERVO PUMP & THROTTLE CONTROLS (From Serial Number CG200538)



ITEM	PART NO.	DESCRIPTION	QTY.	REMARKS
1	W038404-02	Grip	1	
2	4180220	Throttle Lever	1	
3	W118047-02	Bushing Flip	2	
4	MBF1691	Clamping Collar	1	
5	461901679	Disk Spring Washer	4	
6	4179685	Throttle Arm	1	
7	452378	Nut M8 Nyloc	1	
8	450323	Nut-M6	1	
9	450172	Scrw-M6 x 25	1	
10	450392	M12 Washer	1	
11	450451	Nut - Ripp M5	1	
12	450388	Washer M5	2	
18	A682182	Engine - KUBOTA V1505 (305)	1	
22	172364A	Arm - Control HD	1	
26	A800638	Pump	1	
27	GSF2073AC	3/8-16 CL Hex Nut	2	
28	64123-50	Bolt-Hex 3/8-16 X 1	1	
32	128079	Rod End, 1/4 Female	1	
33	A291085	Spring	2	
34	MBG2938A	Cable Bracket	1	
35	MBF1105A	Boss	1	
36	MBF1605	Washer	1	
37	009067640	Traction Cable	1	
38	001393141	Nut M6	1	
39	450388	Washer M6	5	
41	456010161	Screw-Hex 5/16-24X1/2	1	
42	450391	Washer, M10	1	
43	172084	Clamp Throttle	1	
44	4145165	Cable, Throttle	1	
45	450411	S.L. Washer, M8	1	
46	450412	S.L. Washer, M10	1	
47	MBG2027A	Throttle Bracket	1	
50	450412	Lockwasher 10mm	1	
51	450214	Screw M10 X 25	1	
52	139325	Nut, Hex KEPS	1	
53	450191	Screw M8 X 20	1	
55	450390	Washer M8	1	

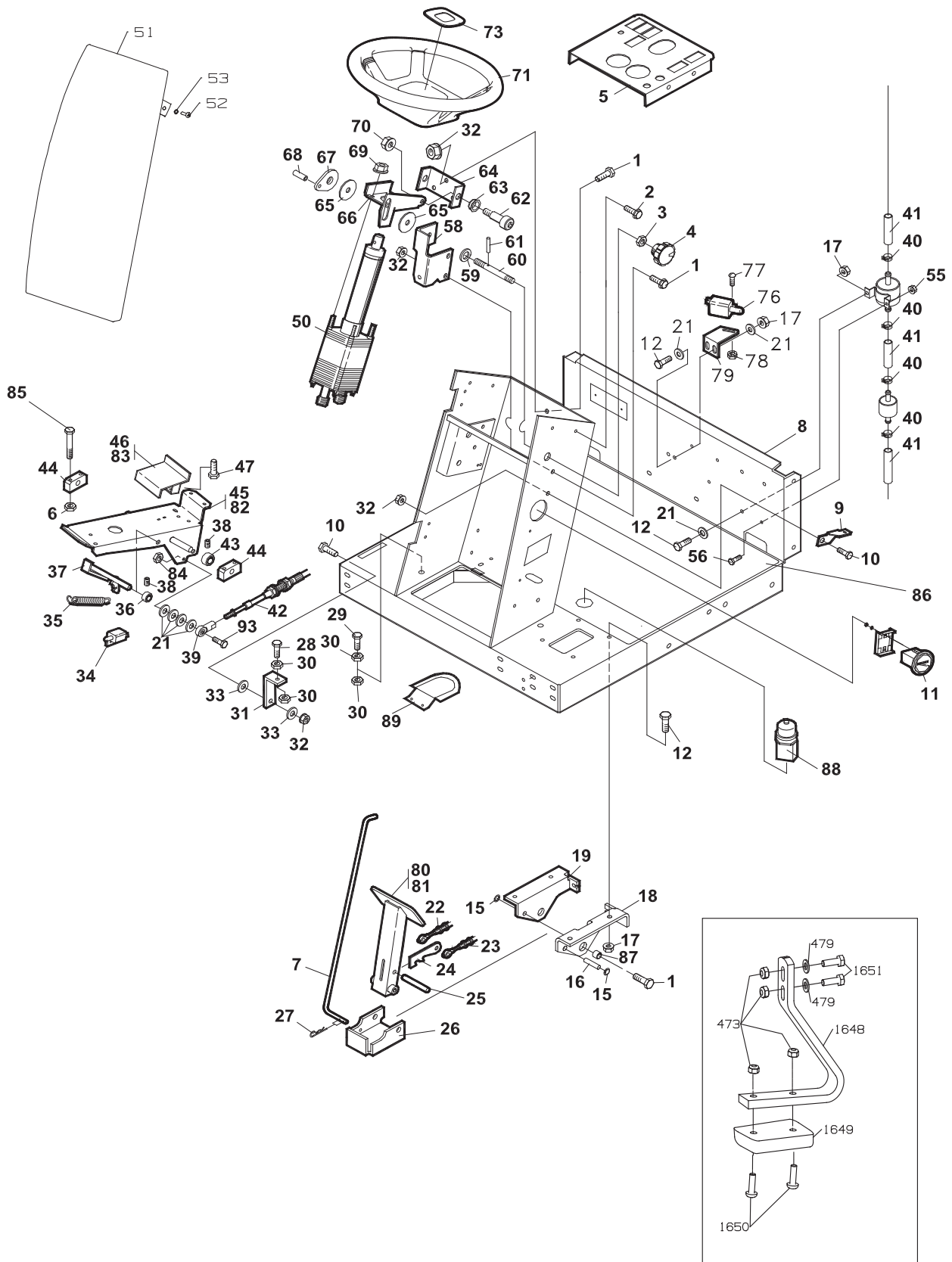
FILTER MOUNTING



ITEM	PART NO.	DESCRIPTION	QTY.	REMARKS	
6-1	2198114	CLAMP-AIR CLEANER	1	(INCLUDES ITEMS 3 - 5)	
6-2	2198147	AIR CLEANER	1		
6-3	2198147-01	FILTER ELEMENT	1		
6-4	2198147-03	COVER	1		
6-4a	2198147-04	S-COVER CLIP	1		
6-5	2198147-02	VALVE-DUST UNLOADER	1		
6-6	450191	SCRW-HEX M8 X 20	6		
6-7	450390	WSHR-M8 X 17 X 1.8	10		
6-8	W178077	SIGHT BOWL	1		
6-9	W178078	FILTER-COALESCER	1		
6-10	W178081	ASSY-FILTER HEAD	1		
6-11	108086-05	FITTING	2		
6-12	450543	SCRW-PAN HD M6 X 25	2		
6-13	450389	WSHR-M6 X 12.5 X 1.8	2		
*	450378	NUT-NYLOC M8	2		
6-14	009135880	SIDE PANEL RH ASSY	1		
6-15	009135870	SIDE PANEL LH ASSY	1		
6-16	MBF2310	LANDING PANEL W/ASSY	1		
6-17	2198125	BUMPER STOP	3		
6-18	MBG6720	BRACKET, HOOD LATCH	1		
6-19	450528	SCRW-PAN HD M5 X 16	4		
6-20	450409	WSHR-SLW M5	4		
6-21	450322	NUT-HEX M5	4		
6-22	2198112	LATCH, HOOD	1		
*	450519	SCRW-PAN HD M4 X 16	4		HARDWARE FOR HOOD LATCH
*	450408	WSHR-SLW M4	4		
*	450321	NUT-HEX M4	4		
6-24	009100790	AIR INLET HOSE	1		
6-25	48383	HOSE CLAMP	2		
6-26	48524	BREAKER 40 AMP	1		
6-27	38665	SOLENOID	1		
*	450519	SCRW-PAN HD M4 X 16	4	HARDWARE FOR ELEC COMPS	
*	450408	WSHR-SLW M4	4		
*	450321	NUT-HEX M4	4		
6-28	450378	NUT-NYLOC M8	8	2 FOR A/CLEANER CLAMP	
6-29	450170	SCREW-HEX M6 X 16	6		
6-30	450410	WSHR-SLW M6	6		
6-31	450389	WSHR-M6 X 12.5 X 1.8	6		
*	4117825	HEAT INSULATION 200x250	1		

# JACOBSEN FAIRWAY 305 SERIES: CG

## STEERING WHEEL & PEDAL MOUNTING

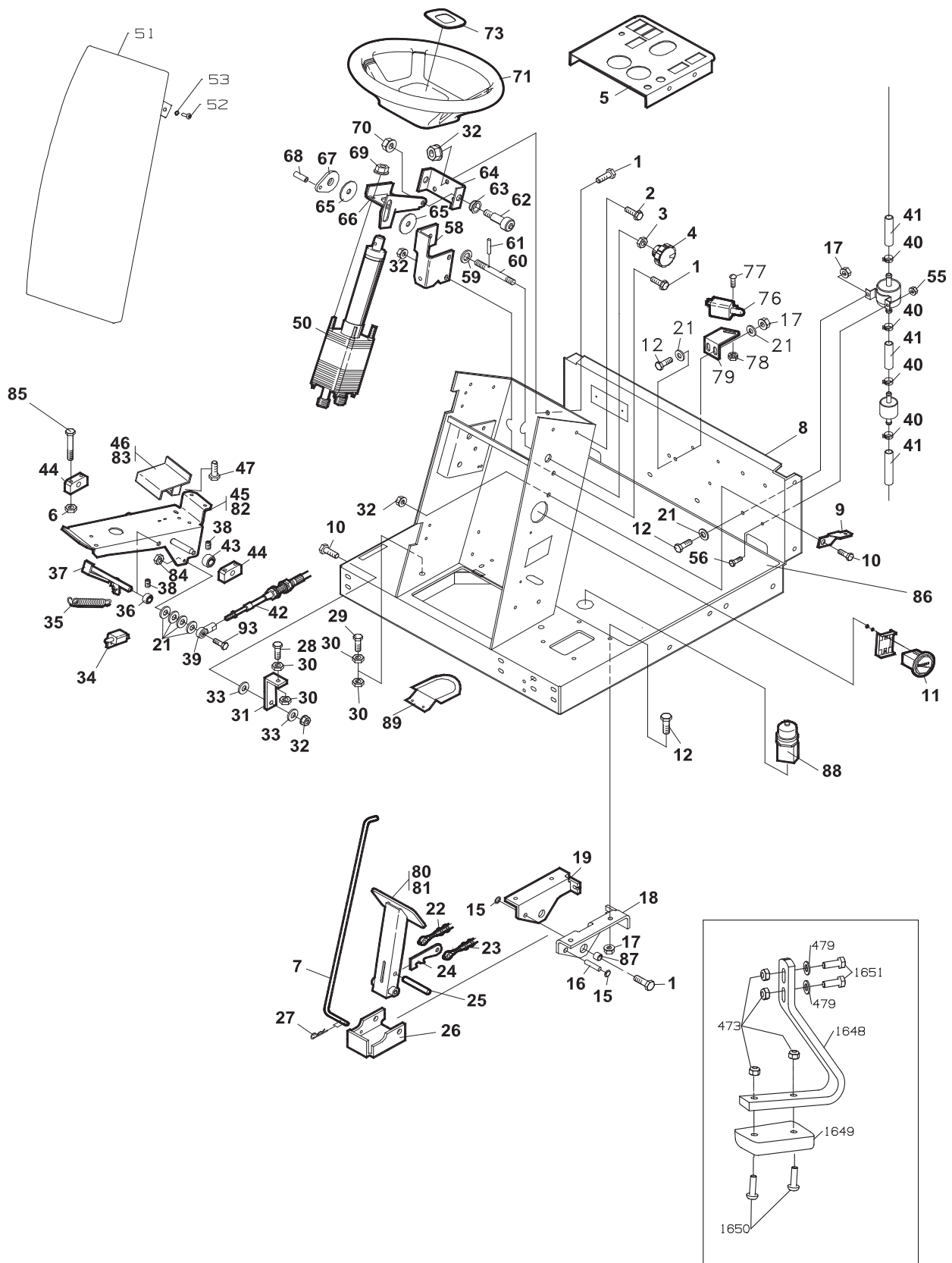




ITEM	PART NO.	DESCRIPTION	QTY.	REMARKS
7-1	450213	SCRW-HEX MI 0-1.5 X 20	3	
7-2	452692	SCREW-M6 X 12 HEX TAPTITE	4	
7-3	64001-8	NUT-HEX JAM 112-13	1	
7-4	W038124-01	KNOB	1	
7-5	009050490	PANEL INSTRUMENT COMPLETE	1	
7-6	450377	LOCKNUT NYLOC M6-1 .00	4	
7-7	2203070.07	ROD-BRAKE RELEASE	1	
7-8	2206029G.07	STEERING TOWER W/ASSY	1	
7-9	2202159.07	GUIDE-BRAKE ROD	1	
7-10	450214	BOLT MIO-1.5X25	2	
7-11	008109660	HOURMETER	1	
7-15	W64175-04	PUSH NUT 3/8 DIA	2	
7-16	2203067	PIN-BRAKE	1	
7-18	2202149.07	BRKT BRAKE LH	1	
7-19	2202150.07	BRKT BRAKE RH	1	
*	MBG5314.07	BRACKET	1	
7-22	W128025-04	CABLE-BRAKE	1	
7-23	W128025-03	CABLE-BRAKE1	1	
7-24	2202154.07	LATCH-BRAKE1	1	
7-25	2203069	PIN-BRAKE PEDAL	1	
7-26	2202148A.07	RELEASE-BRAKE	1	
7-27	001490006	COTTER PIN	2	
7-28	450019	BOLT-HEX M8-1 .25 X 55	1	
7-29	450020	BOLT-HEX M8-1 .25 X 60	1	
7-30	450324	NUT HEX M8-1 .25	4	
7-31	2202161.07	BRACKET-SPEED CONTROL	1	
7-32	450379	LOCKNUT NYLON MI 0-1.5	6	
7-33	64209-07	WASHER, CONICAL MI 0	2	
7-34	38383	SWITCH	1	
7-35	699527153	SPRING-EXTENSION	1	
7-36	MBF0654A	COLLAR-SET 3/8 ID	2	
7-37	MBF1280	WLDMT-NEUTRAL CONTROL	1	
7-38	001290379	SETSCREW 1/4-20X114	4	
7-39	128079	ROD END	1	
*	002910859	SPRING	1	
*	MBG4471.07	CABLE BRACKET	1	
7-40	001925160	JUBILEE CLIP	4	
7-41	148263	FUEL LINE	1	
7-42	009067640	TRACTION CABLE	1	
7-43	W43067A	COLLAR, SET PLATE	2	
7-44	MBG5073	BEARING BLOCK	2	
7-45	2196117	FWD/REV PED W/MAT	1	
7-46	146082	PEDAL ADAPTER W/MAT	1	

# JACOBSEN FAIRWAY 305 SERIES: CG

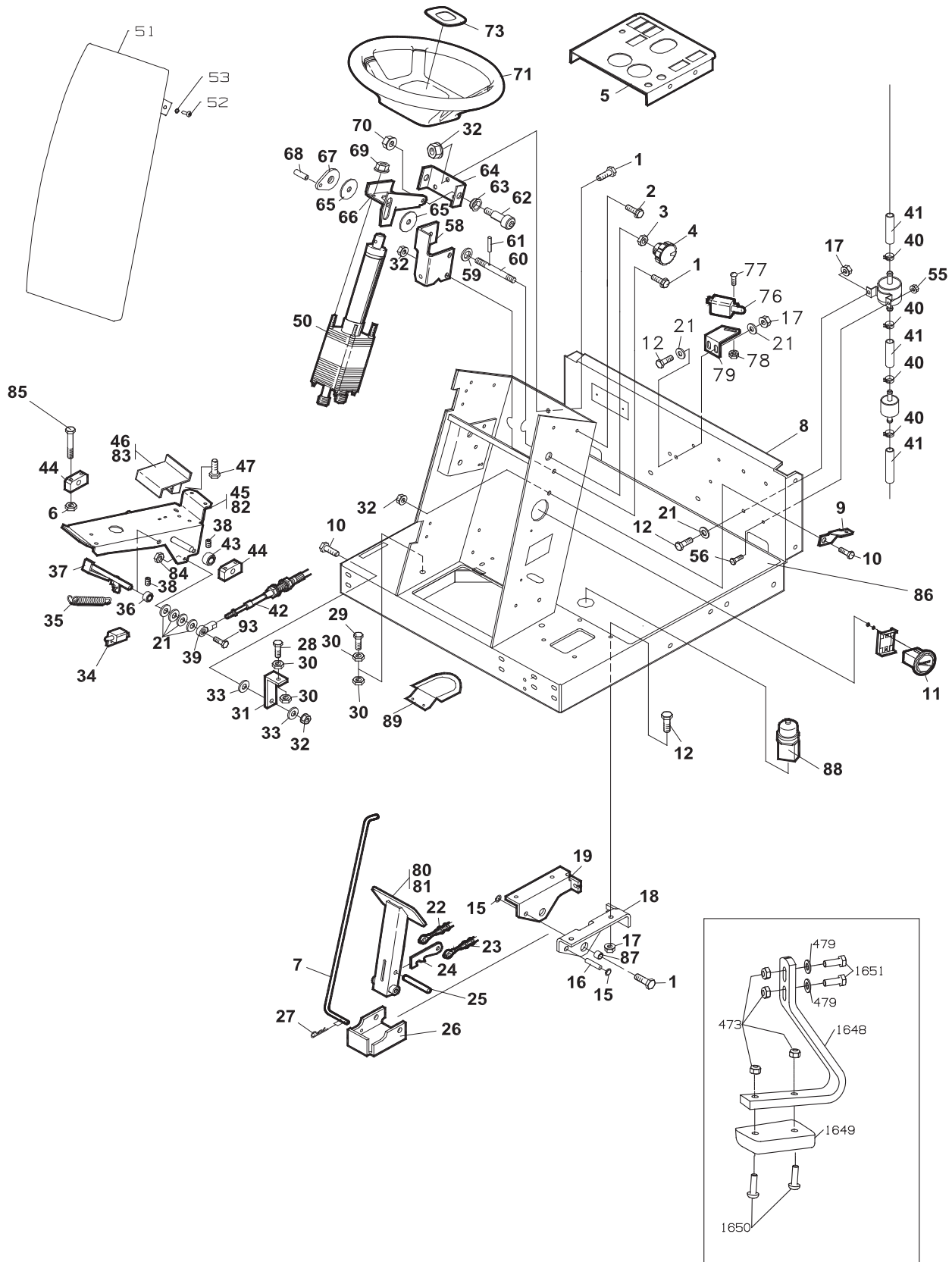
## STEERING WHEEL & PEDAL MOUNTING



ITEM	PART NO.	DESCRIPTION	QTY.	REMARKS
7-47	001190377	BLT-WLF 1/4"-20 X 1/2"	2	
*	452200029	WSHR-SLW 1/4" X .425 X .072"	2	
*	452000211	WSHR- 1/4" X 9/16" X 0.56"	2	
7-50	2208142	VALVE POWER STEERING	1	
	2208142-01	• SEAL KIT	1	
	2208142-02	• BEARING KIT	1	
	2208142-03	• CAP KIT	1	
	2208142-04	• RELIEF VALVE	1	
7-51	009135950	FRONT TOWER COVER	1	
7-52	450542	SCRW-PAN M6 X 20	2	
7-53	450410	WSHR-SLW M6	2	
7-55	450377	NUT NYLOC M6	1	
7-56	450170	SCREW-HEX M6 X 20	1	
7-58	172304.07	BRACKET-TILT WHEEL	1	
7-59	001594080	WASHER .516 ID	1	
7-60	173006	SHAFT LOCKING	1	
7-61	001419072	ROLL PIN	1	
7-62	64166-17	SHOULDER BOLT	2	
7-63	W118047-02	BUSHING, FLIP LOK 1/2	2	
7-64	172042A.07	BRKT-STEERING	1	
7-65	178138	WASHER-FRICTION	2	
7-66	172298.07	SUPPORT-STEERING	1	
7-67	176100.07	WLDMT FRICTION WASHER	1	
7-68	001496248	ROLL PIN	1	
7-69	001393117	NUT- 5/16-18	4	
7-70	450120267	LOCKNUT	2	
7-71	2198130	STEERING WHEEL	1	(INCLUDES ITEM 73)
*	64061-26	ROLL PIN	1	
7-73	839862	S-LOGO COVER	1	
7-76	W38382	SWITCH N/O	1	
7-77	450151	SCREW-HEX M5 X 16	2	
7-78	450378	NUT NYLOC M6	2	
7-79	2202117.07	BACLKAP SWITCH BRACKET	1	
7-80	2206054	BRAKE PEDAL	1	
7-81	2198129	MAT-NON SKID	1	
7-82	48436	MAT,NON SKID	1	
7-83	48013-06A	MAT, NON SKID	1	
7-84	450323	NUT-HEX M6	1	
7-85	450003	BLT-HEX M6 X 40	4	
7-86	2208052	MAT-PLATFORM	1	
7-87	MBF0838A	BUSHING-BRAKE	2	
7-88	2208099	FOOT SWITCH	1	
7-89	MBE3313C.07	PAD ASSEMBLY FOR FOOT SW	1	
*	450605	SCREW-CSK M5 X 12	2	

# JACOBSEN FAIRWAY 305 SERIES: CG

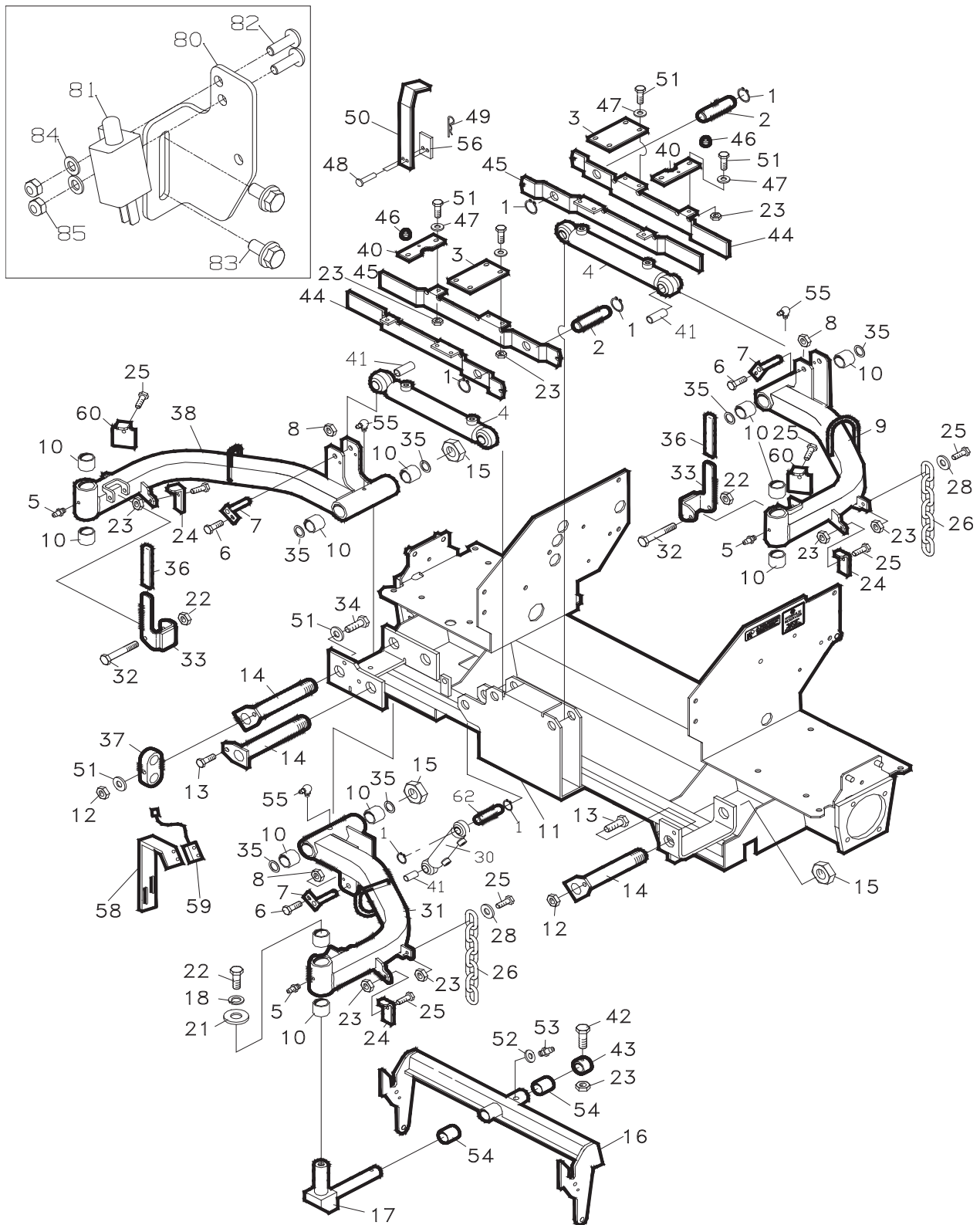
## STEERING WHEEL & PEDAL MOUNTING



ITEM	PART NO.	DESCRIPTION	QTY.	REMARKS
*	450388	WASHER M5	2	
*	450376	NUT NYLOC M5	2	
7-93	450001	BOLT-HEX M6 X30	1	
473	450378	NUT NYLOC, M8	4	
479	450390	WASHER, M8	2	
1648	4123144	BUMP STOP BRACKET	1	
1649	4124120	RUBBER STOP	1	
1650	450553	CAP SCREW, M8 x 25	2	
1651	450192	SCREW, M8 x25	2	
*	MBG5314.07	SUPPORT BRKT FR BUMP STOP	1	
1648	4139003	BUMP STOP BRACKET	1	AFTER CG 000573
1649	4139004	RUBBER STOP	1	AFTER CG 000573

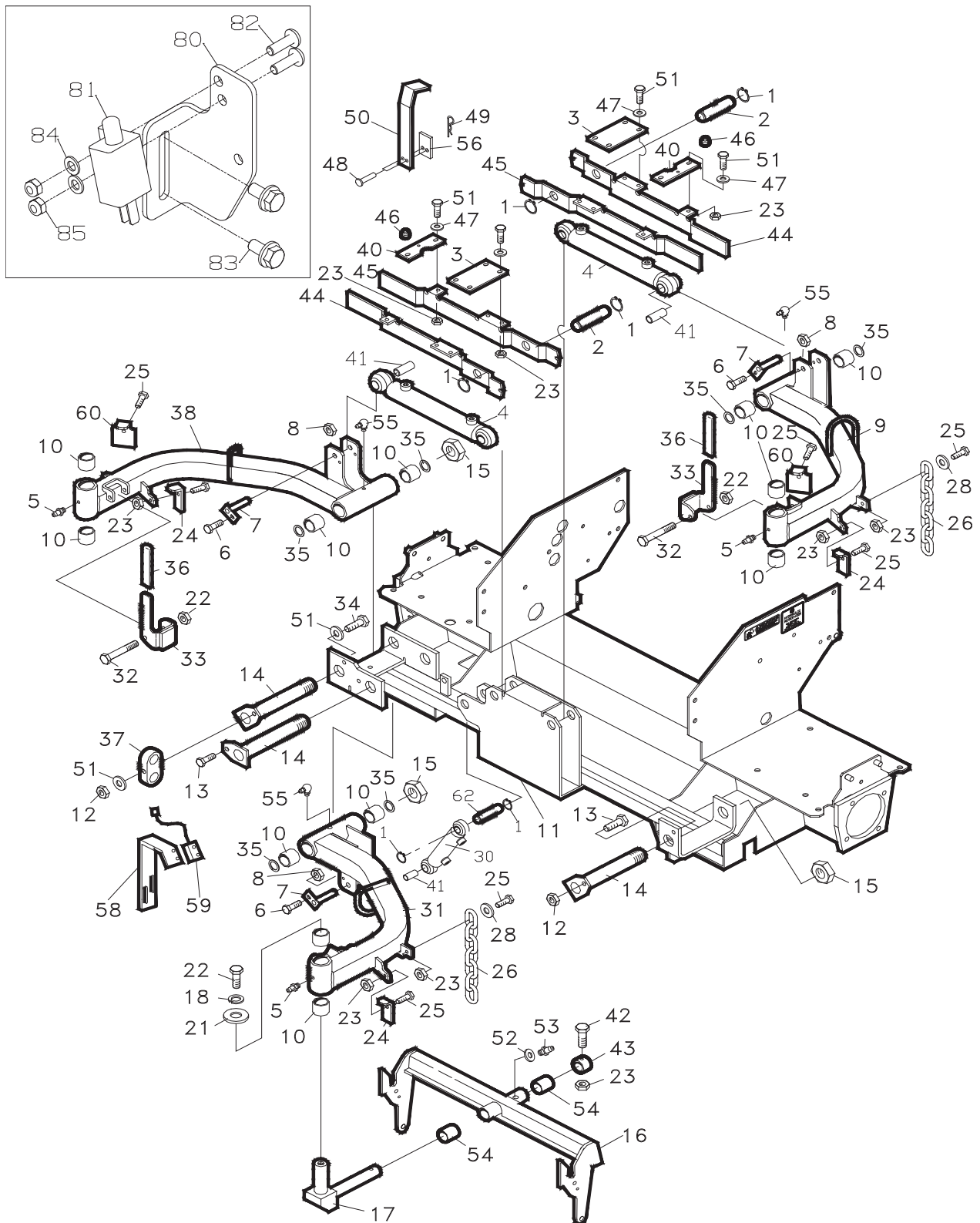
# JACOBSEN FAIRWAY 305 SERIES: CG

## FRONT LIFT ARM MOUNTING



ITEM	PART NO.	DESCRIPTION	QTY.	REMARKS
6-1	64144-13	SNAP RING	6	
6-2	2203048-02	PIN-REEL CYLINDER	3	
6-3	2202170.07	PLATE-LIFTSTOP	2	
6-4	2208151	LIFT RAM	2	To S/N CG200696
	198040-01	• SEAL KIT	1	
6-4	4244284	D/A HYD CYL, 20 x 203, LIFT	2	From S/N CG200697
6-5	85010N	LUBRICATOR GREASE FITTING	2	
6-6	450170	SCREW-HEX M6 X 16	6	
6-7	2206032	WLDMT-CYLINDER PIN	3	
6-8	450377	NUT M6	3	
6-9	2206090B.07	REEL ARM FRONT LH	1	
6-10	W108003	BUSHING	A/R	
6-11	MBF0199J.07	FRONT FRAME (305 / 405)	1	
6-12	450379	LOCKNUT-NYLOC M10	5	
6-13	450215	SCREW, M10 X 30 HH	2	
6-14	2206051.07	WLDMT-PIVOT PIN REAR	3	
6-15	001393820	NUT HEX 1-1/4-12 NYLOC	3	
6-16	2206042B.07	YOKE 26" C/U	3	
6-17	MBG1842.07	ASSY, PIVOT SHAFT	3	
6-21	64163-74	WASHER	3	
6-22	450038	BOLT M10 X 80	3	
6-23	450378	LOCKNUT M8	15	
6-24	2202096.07	STOP-REEL PIVOT	6	
6-25	450192	SCREW M8 X 25	6	
6-26	158001-06	CHAIN	3	
6-28	001594010	WASHER	3	
		CHAIN TO CUTTING UNIT		
	MBC1561A	PIN - CHAIN TO UNIT	3	
	001490006	SPRING CLIP - FOR MBC1561A	3	
	450391	WASHER M10 - FOR MBC1561A	3	
6-30	2208152	LIFT RAM	1	To S/N CG200696
	198040-01	• SEAL KIT	1	
6-30	4244285	D/A HYD CYL, 20 x 95, LIFT	1	From S/N CG200697
6-31	2206091C.07	FRONT CENTER REEL ARM	1	
6-32	450038	BOLT-METRIC M10 X 80	2	
6-33	2206057.07	WLDMT-PIVOT LEVER	2	
6-34	450034	BOLT-HEX M10 X 60	1	
6-35	62464-4A	THRUST WASHER	A/R	
6-36	W68160A	SPOUT HANDLE GRIP	2	
6-37	148090-02	SUPPORT, TUBE 3/4	4	
6-38	2206092B.07	FRONT REEL ARM RH	1	
6-40	2202171A.07	PLATE-LIFTSTOP	2	

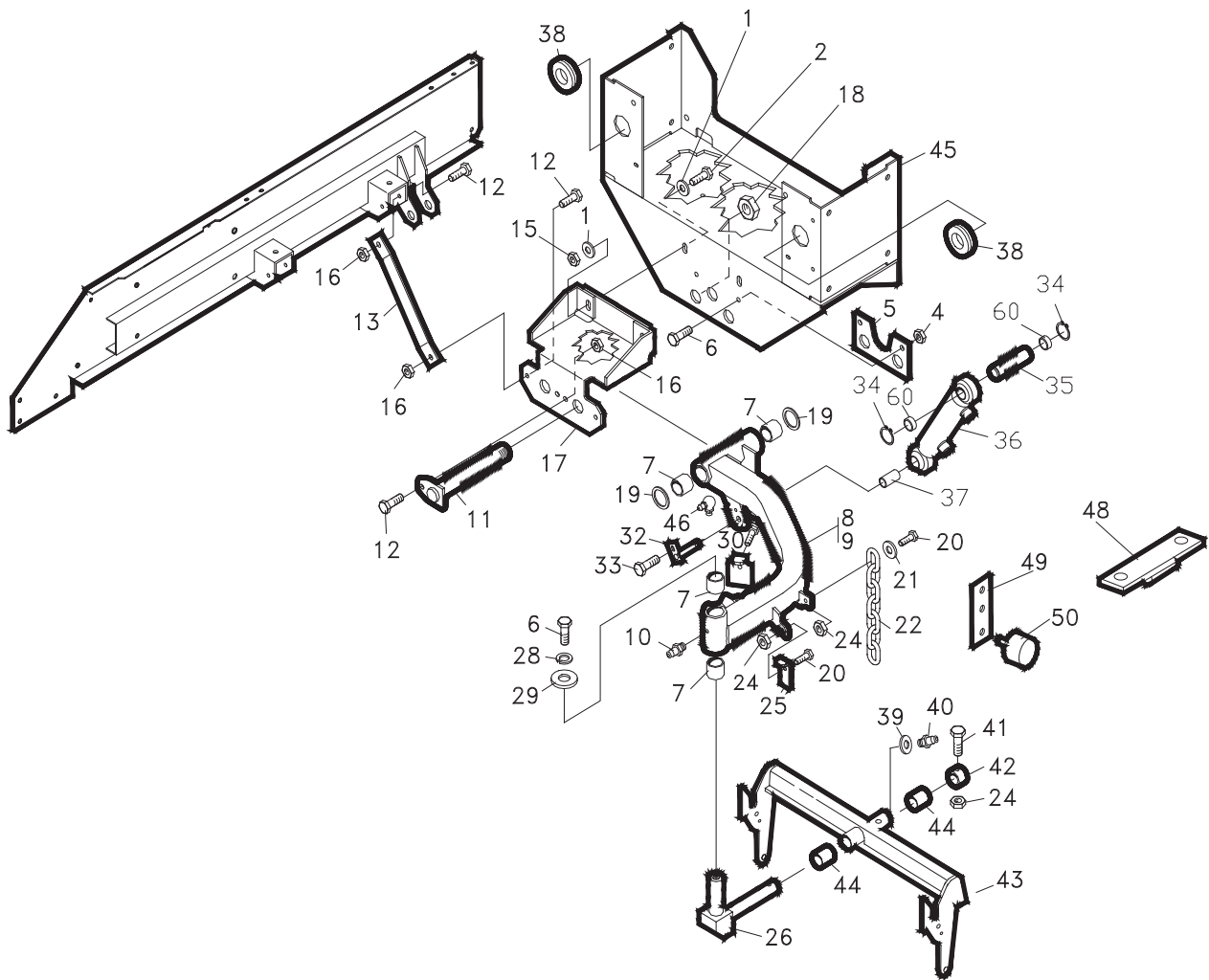
FRONT LIFT ARM MOUNTING





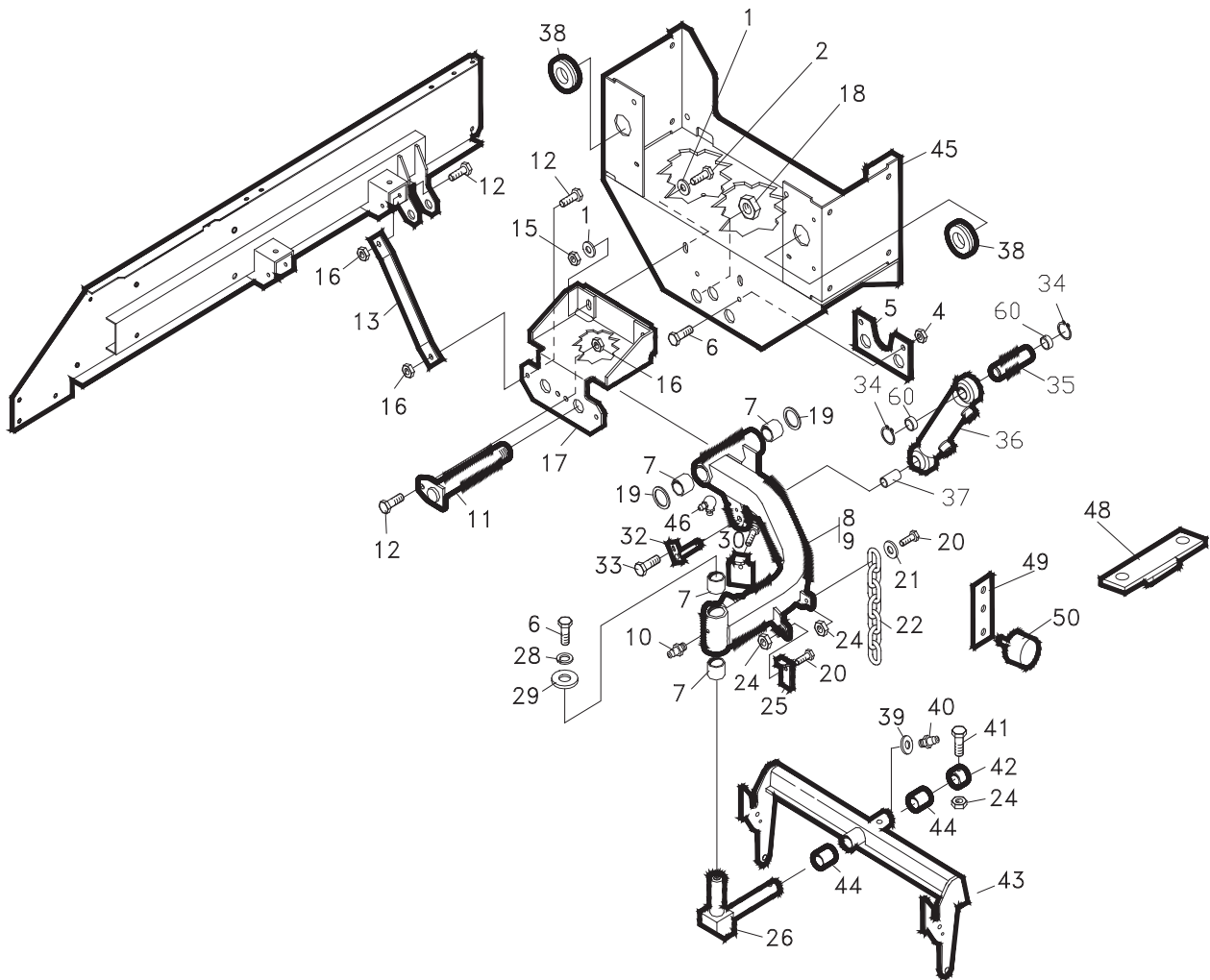
ITEM	PART NO.	DESCRIPTION	QTY.	REMARKS
6-41	2203083A	SLEEVE CYLINDER	3	
6-42	450018	BOLT M8 X 50	5	
6-43	2203047.07	RETAINER-REEL	5	
6-44	MBG1399B.07	LIFTSTOP-LH	2	
6-45	MBG1398B.07	LIFTSTOP-RH	2	
6-46	2208067	BUMPER-RUBBER	2	
6-47	64251-003	WASHER	12	
6-48	64188-02	CLEVIS PIN	2	
6-49	64168-2	HAIRPIN COTTER	2	
6-50	2202172.07	LIFT LEVER-FOOT	1	
6-51	450192	SCREW M8 X 25	12	
6-52	GSF2152A	WASHER	3	
6-53	A299301	LUBRICATOR GREASE FITTING	3	
6-54	W048048A	SLEEVE BEARING	6	
6-55	35027N	LUBRICATOR GREASE FITTING	1	
6-56	2202173.07	PLATE-LIFTSTOP BACKING	1	
*	MBG1827A.07	MOTOR GUARD (RH CUTTING UNIT)	1	
*	450151	SCREW, M5 X 16, HEX HD	2	
*	450322	NUT, M5	2	
6-58	MBG4566.07	SWITCH BRACKET	1	
6-59	W038383	SWITCH	1	
	450151	SCREW, M5 x 16, HEX HD	2	
	450409	S.L.WASHER, M5	2	
	450322	NUT, M5	2	
6-60	2202209.07	STOP PLATE	4	
6-62	2203048-02	PIN-REEL CYLINDER 108.37LG	1	(USE ON CENTRE UNIT)
6-80	4118433	SWITCH BRACKET	1	FITTED TO ITEM 50
6-81	W38382	SWITCH	1	
6-82	450526	SCRW-PAN HD M5 x 12	2	
6-83	452692	SCRW-HEX M6 x 12 TAPTITE	2	
6-84	450388	WASHER-M5 x 10 x 1.1	2	
6-85	450376	NUT-HEX M5 NYLOC	2	

REAR LIFT ARM MOUNTING



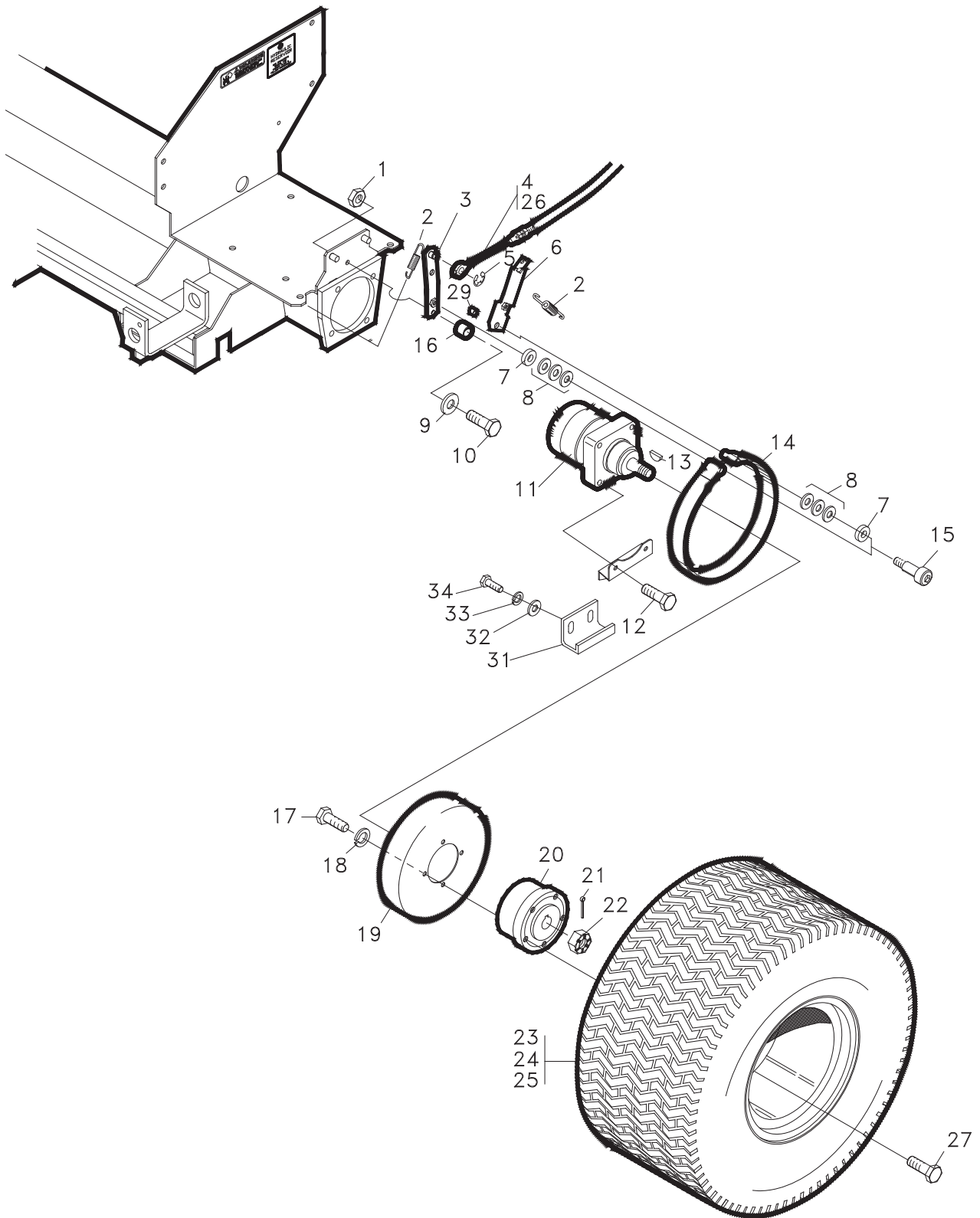
ITEM	PART NO.	DESCRIPTION	QTY.	REMARKS
9-1	450392	WASHER-M12	4	
9-2	450048	BOLT M12 x 40	2	
9-3	2206204	WLDMT-FRAME REAR	1	
9-4	450380	NUT-NYLOC M12	4	
9-5	2202146	PLATE	1	
9-6	450241	BOLT M12 X 30	6	
9-7	W108003	BUSHING	8	
9-8*	2206094A	LIFT ARM, RIGHT REAR	1	(INCLUDES ITEM 7)
9-9	2206093A	LIFT ARM, LEFT REAR	1	(INCLUDES ITEM 7)
9-10	842000044	1/4" STRAIGHTGREASE NIPPLE	6	
9-11	2206051.07	WLDMT-PIVOT PIN REAR	2	
9-12	450214	BOLT M10 X 25	9	
9-13	2202092A.07	BRACE-REAR REEL	2	
9-14	450015	BOLT M8 X 35	2	
9-15	450380	NUT-NYLOC M12	4	
9-16	450379	NUT NYLOC M10	10	
9-17	MBG5612.07	BRKT-REAR ARM	1	
9-18	001393820	NUT-HEX 1-1/4-12 NYLOC	2	
9-19	62464-4A	THRUST WASHER	AR	
9-22	W158001-05	CHAIN 6.7 LG PLATED	2	
9-23	23009A.07	SPACER, ENGINE MOUNT	2	
9-24	450378	NUT NYLOC M8	6	
9-25	2202209.07	STOP-REEL PIVOT	2	
7-26	MBG1842.07	ASSY, PIVOT SHAFT	2	
9-32	2206032.07	WLDMT-CYLINDER PIN	2	
9-33	450170	SCREW-HEX M6 X 16	2	
9-34	64144-13	SNAP RING	4	
9-35	2203048-03	PIN-REEL CYLINDER	2	
9-36	2208152	CYLINDER-REEL SHORT	2	To S/N CG200696
	198040-01	• SEAL KIT	1	
9-36	4244285	D/A HYD CYL, 20 x 95, LIFT	2	From S/N CG200697
9-37	2203083A	SLEEVE-CYLINDER	2	
9-38	148034-05	GROMMET-INSULATION	2	
9-39	GSF2152A	WASHER	2	
9-40	002993010	LUBRICATOR	2	
9-41	450018	BLT MET M8 X 50	2	
9-42	2203047.07	RETAINER-REEL	2	
9-43	2206042B.07	DECK PIVOT	2	(INCLUDES ITEMS 10, 44 & 52)
9-44	48048A	SLEEVE BEARING	4	
9-48	MBF0744-07	REAR ARM STOP	2	FITTED TO CHASSIS SIDES
*	450192	SCREW-HEX M8 X 25	4	
*	450390	WASHER M8	4	
*	450378	NUT-NYLOC M8	4	
9-49	2202160A	STOP-REAR REEL	2	

REAR LIFT ARM MOUNTING



ITEM	PART NO.	DESCRIPTION	QTY.	REMARKS
9-50	002994060	RUBBER MOUNT	2	
9-60	2203098	SPACER-CYLINDER CHAIN TO CUTTING UNIT	2	
	MBC1561A	PIN	2	
	001490006	SPRING CLIP	2	
	450391	WASHER M10	2	

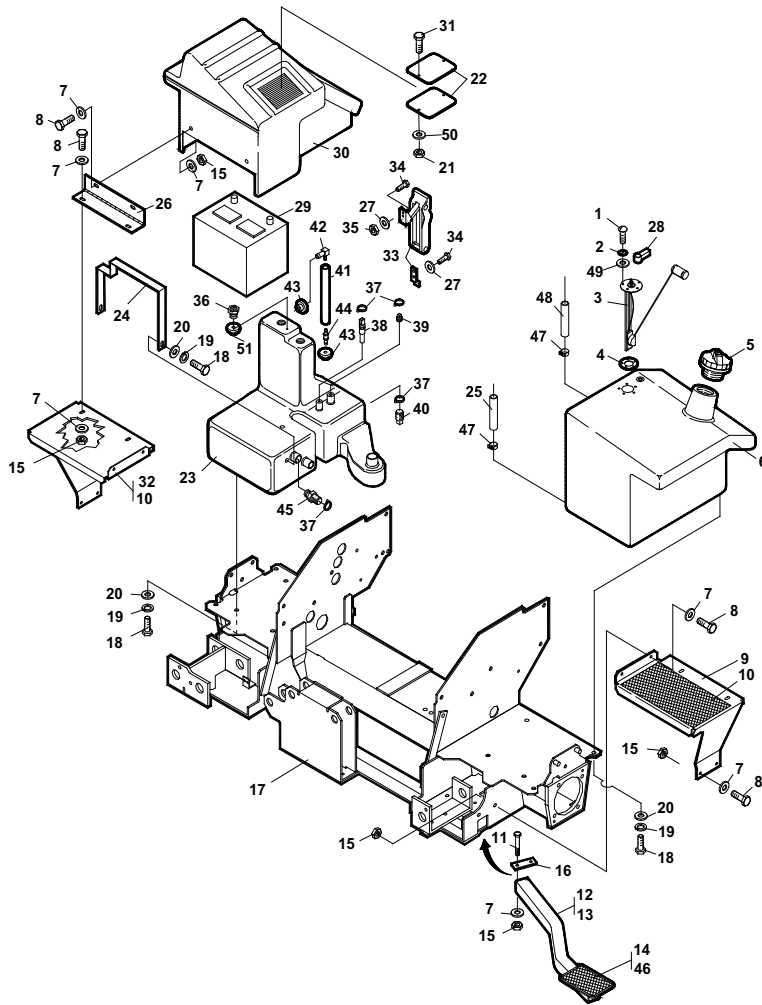
DRIVE WHEELS & BRAKES



ITEM	PART NO.	DESCRIPTION	QTY.	REMARKS
10-1	450379	NUT-NYLOC M10	2	
10-2	699527153	SPRING	4	
10-3	2206031	WLDMT-BRAKE ARM	2	
10-4	W128025-03	CABLE, BRAKE	1	(USE FOR LEFT HAND BRAKE)
10-5	64144-30	SNAP RING .375	2	
10-6	2206032.07	WLDMT-BRAKE ARM	2	
10-7	MBF1283	SPACER	4	
10-8	001599688	WASHER	12	
10-9	450391	WASHER	2	
10-10	450215	SCREW M10 X 30	2	
10-11	008007150	WHEEL MOTOR MJ29	2	
	002301080	• SEAL KIT	1	
10-12	450052	BOLT-M12-1.75X50	8	
10-13	008007460	#1008 WOODRUFF KEY	2	
10-14	W178013	BRAKE BAND	2	
10-15	MBG3598	BOLT M10 x 45	4	
10-16	MBF0838A	BUSHING - BRAKE	2	
10-17	64123-15	BLT HEX 3/8-16 X 3/4	8	
10-18	64006-04	LOCKWASHER	8	
10-19	172060	BRAKE DRUM	2	
10-20	W2171004A	HUB	2	
10-21	451264	COTTER PIN	2	
10-22	008007470	CASTLE NUT	2	Torque 290Nm
10-23	4258290	WHEEL & TYRE ASSY 26.5 x 14 x 12	2	
10-24	4233943	• TYRE 26.5 x 14 x 12	1	
10-25	4225002	• RIM 12x10.5	1	
	4220940	• TYRE VALVE ASSY	1	
10-26	W128025-04	CABLE-BRAKE	1	(USE FOR RIGHT HAND BRAKE)
10-27	64220-01	BLT-WHL 1 2-20X.880D	10	Torque 80Nm
10-30	MBF1907.07	STOP-BRAKE BAND	2	
10-31	MBG5305	KEEP BRACKET	2	
10-32	450191	SCRW-HEX M8 X 30	4	
10-33	450411	WASHER SLW M8	4	
10-34	450390	WASHER M8	4	

# JACOBSEN FAIRWAY 305 SERIES: CG

## HYDRAULIC RESERVOIR & FUEL TANK

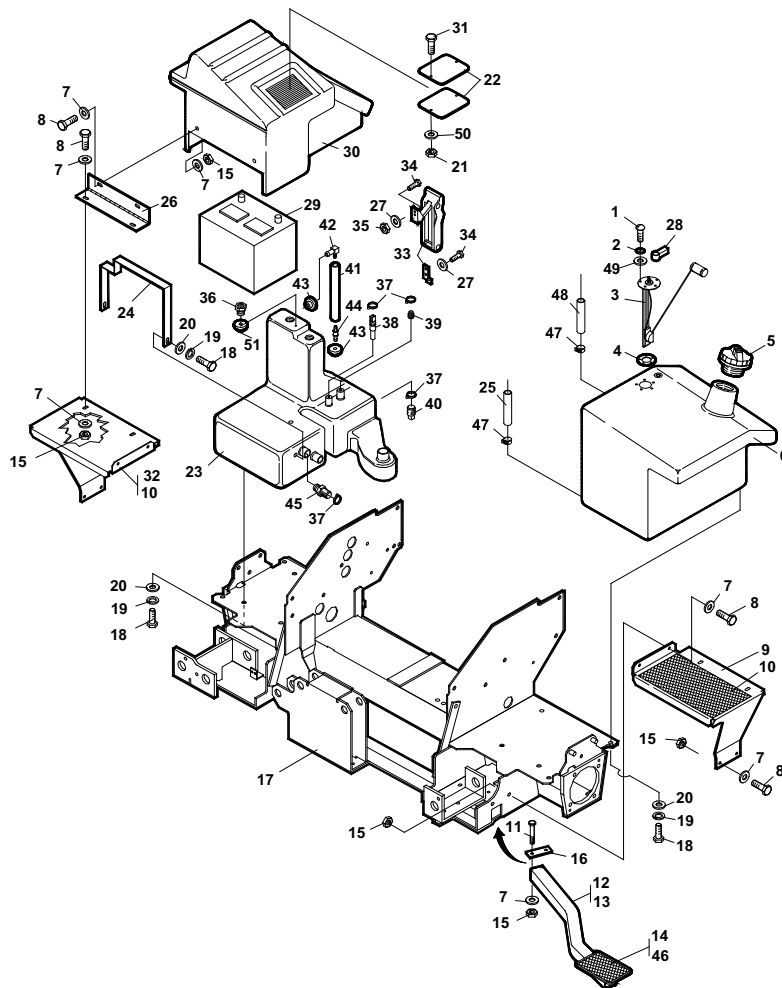




ITEM	PART NO.	DESCRIPTION	QTY.	REMARKS
11-1	64152-05	10-32 X 1/2 MACH SCREW	5	
11-2	450409	LOCKWASHER M5	5	
11-3	2208073	SENDER-FUEL LEVEL	1	
11-4	W148081	GASKET	1	
11-5	W178105	CAP-LOCKING	1	
	178105-01	• KEY	1	
11-6	2208109	TANK-FUEL FWAY	1	
11-7	450390	WASHER M8	20	
11-8	450191	SCREW M8 X 20	12	
11-9	MBG0618A	STEP LH	1	
11-10	2208054	MAT-STEP	2	
11-11	450020	BOLT M8 X 60	4	
11-12	2206109	STEP LH LOWER	1	
11-13	2206110A	STEP RH LOWER	1	
11-14	2208071	MAT-STEP	1	
11-15	450378	NUT NYLOC M8	16	
11-16	2202138.07	PLATE-STEP CLAMP	2	
11-17	MBF0199J.07	FRONT FRAME	1	
11-18	450213	HEX BOLT M10 X 20	10	
11-19	450412	LOCKWASHER M10	10	
11-20	450391	WASHER M10	10	
11-21	450377	NUT NYLOC M6	2	
11-22	2202166A.07	PLATE-RESERVOIR COVER	2	
11-23	2208031	RESERVOIR-HYDRAULIC	1	
11-24	2202103.07	HOLD DOWN-BATTERY	1	
11-25	148263	FUEL PIPE	1	
11-26	MBG4553.07	HINGE-RESERVOIR	1	
11-27	450388	WASHER	4	
11-28	2198091	BOOT, FUEL SENDER	1	
11-29	008230310	BATTERY TYPE 093	1	
11-30	2208110	COVER-HYD RESERVOIR	1	
11-31	450541	SCRW-PAN M6 X 16	2	
11-32	MBG0617A	STEP RH	1	
11-33	W178142	LATCH-RUBBER	1	
11-34	450528	SCREW PAN M5 X 16	4	
11-35	450376	NUT NYLOC M5	4	
11-36	4180161	BREATHER	1	

# JACOBSEN FAIRWAY 305 SERIES: CG

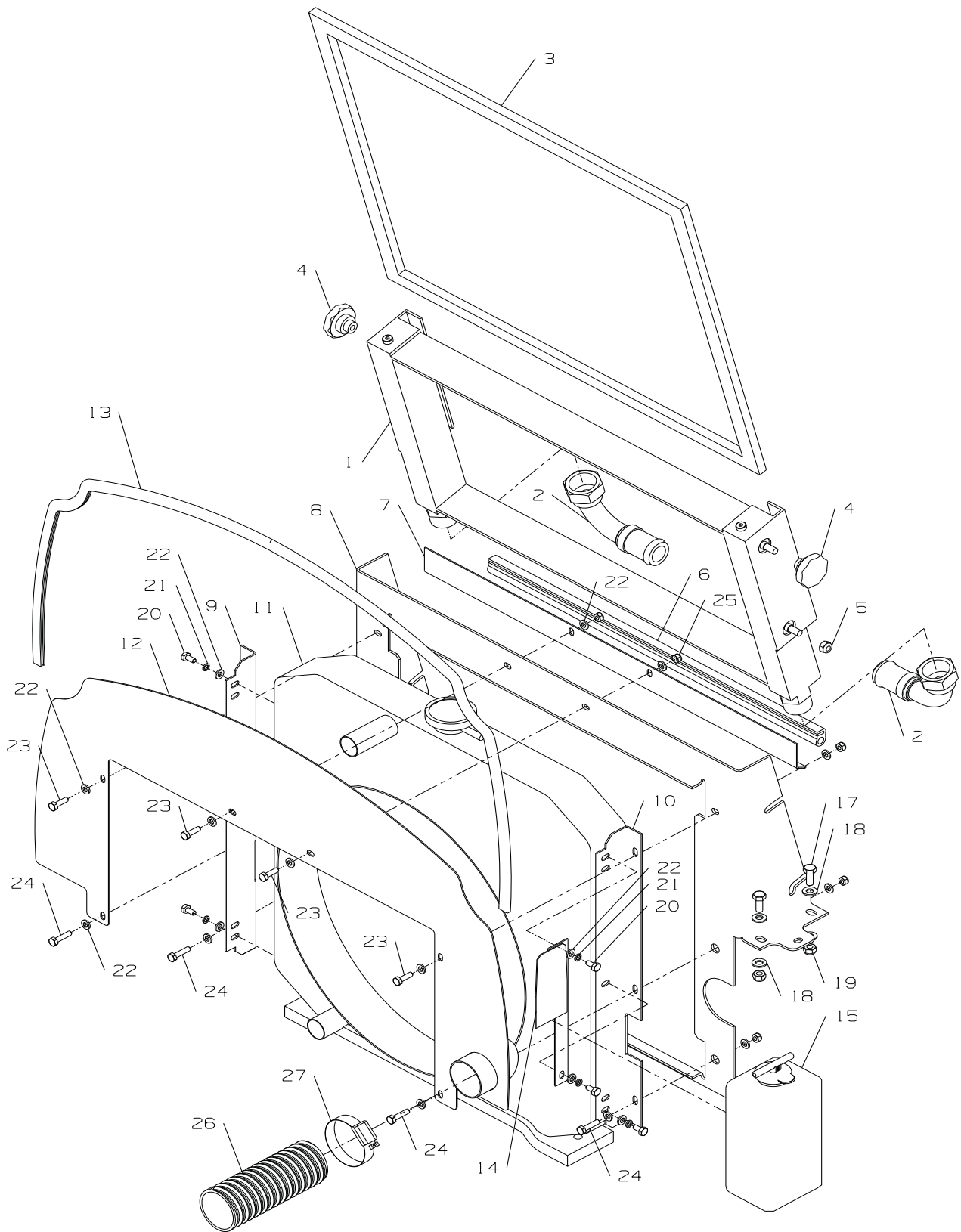
## HYDRAULIC RESERVOIR & FUEL TANK



ITEM	PART NO.	DESCRIPTION	QTY.	REMARKS
11-37	108094-06	CLAMP	4	
11-38	008296050	SWITCH-TEMPERATURE 175F	1	
11-39	69051-01	PIPE PLUG	1	
11-40	108029	PLUG, MAGNETIC	1	
11-41	158122-02	TUBING-SIGHT CLASS 8"	1	
11-42	148231	S-ELBOW-90 3/16 FINING	1	
11-43	48310	S-BUSHING	2	
11-44	2208031-01	FTG-3/1 6 BARB STRAIGHT	1	
11-45	158065-03	FTG - 13/16-16/112-14	1	
11-46	MBG4795	MAT-STEP	1	
11-47	001925160	HOSE CLIP	2	
11-48	148263	FUEL PIPE	1	
11-49	64211-02	WASHER 3/16"	5	
11-50	450389	WASHER M6	2	
11-51	4132325	GROMMET	1	

# JACOBSEN FAIRWAY 305 SERIES: CG

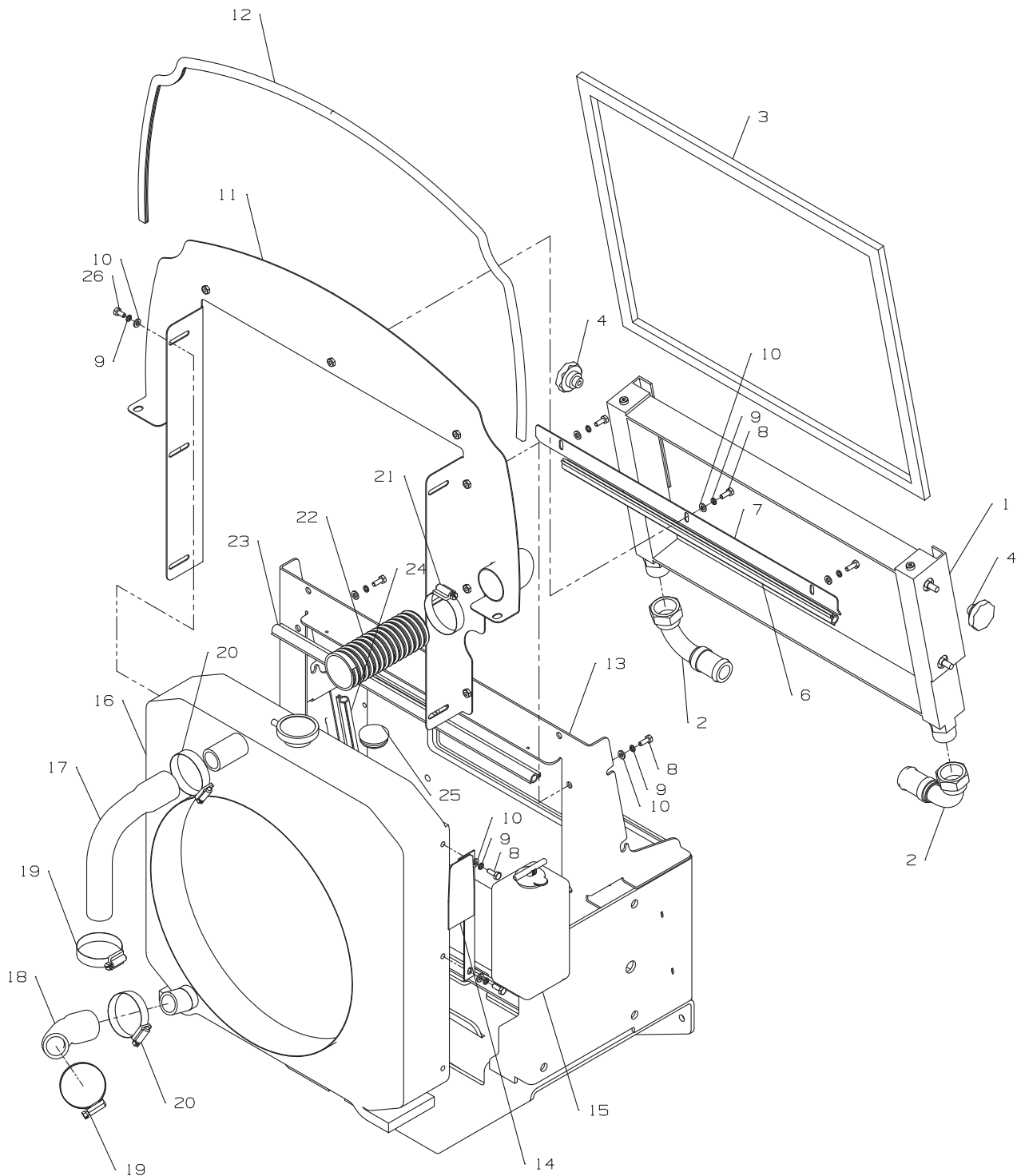
## RADIATOR & OIL COOLER MOUNTING



ITEM	PART NO.	DESCRIPTION	QTY.	REMARKS
		For Machines Prior To and including Serial Number CG200562		
12-1	006911620	OIL COOLER	1	
12-2	4116484	FITTING - 90 deg 1"BSPP x 1-1/4"	2	
*	008089820	HOSE CLAMP	2	1 PER ITEM 2
*	4115389	OIL COOLER HOSE	2	CONNECT TO ITEM 2
12-3	009001840	BUGSCREEN	1	
12-4	002990293	M8 HANDKNOB	2	
12-5	450378	NUT-HEX M8 NYLOC	2	
12-6	002989360	SEALING STRIP	1	530MM LONG
12-7	MBG6718	OIL COOLER SEALING STRIP	1	
12-8	MBG7087	RADIATOR MOUNT	1	
12-9	22020144A	MOUNT RADIATOR LH	1	
12-10	22020145A	MOUNT RADIATOR RH	1	
*	16292-72001	RADIATOR KIT	*	NON TURBO
12-11	4149737	RADIATOR	1	NON TURBO
*	4150377	RADIATOR SEAL	2	
*	16286-72851	HOSE-RADIATOR, LOWER	1	NON TURBO
*	16296-72941	HOSE-RADIATOR, UPPER	1	NON TURBO
*	36200-82721	CLAMP	4	FOR RADIATOR HOSES
12-12	MBF2304	BAFFLE PLATE W/ASSY	1	
12-13	002989074	SEALING STRIP	1	
12-14	MBF2276	EXP. BOTTLE BRKT W/A	1	
12-15	4123303	EXPANSION BOTTLE	1	
*	19059-72091	BREATHER PIPE EX KUBOTA	1	
12-17	450191	SCRW-HEX M8 X 20	4	
12-18	450390	WSHR-M8 X 17 X 1.8	8	
12-19	450378	NUT-HEX M8 NYLOC	4	
12-20	450168	SCRW-HEX M6 X 12	6	
12-21	450410	WSHR-SLW M6	6	
12-22	450389	WSHR-M6 X 12.5 X 1.8	22	
12-23	450171	SCRW-HEX M6 X 20	4	
12-24	450172	SCRW-HEX M6 X 25	6	
12-25	450377	NUT-HEX M6 NYLOC	8	
12-26	4116202	AIR INTAKE HOSE	1	42" LONG - NON TURBO
12-27	48383	HOSE CLAMP 2-1/2"	2	ONE PER END, OTHER AIR CLEANER.

# JACOBSEN FAIRWAY 305 SERIES: CG

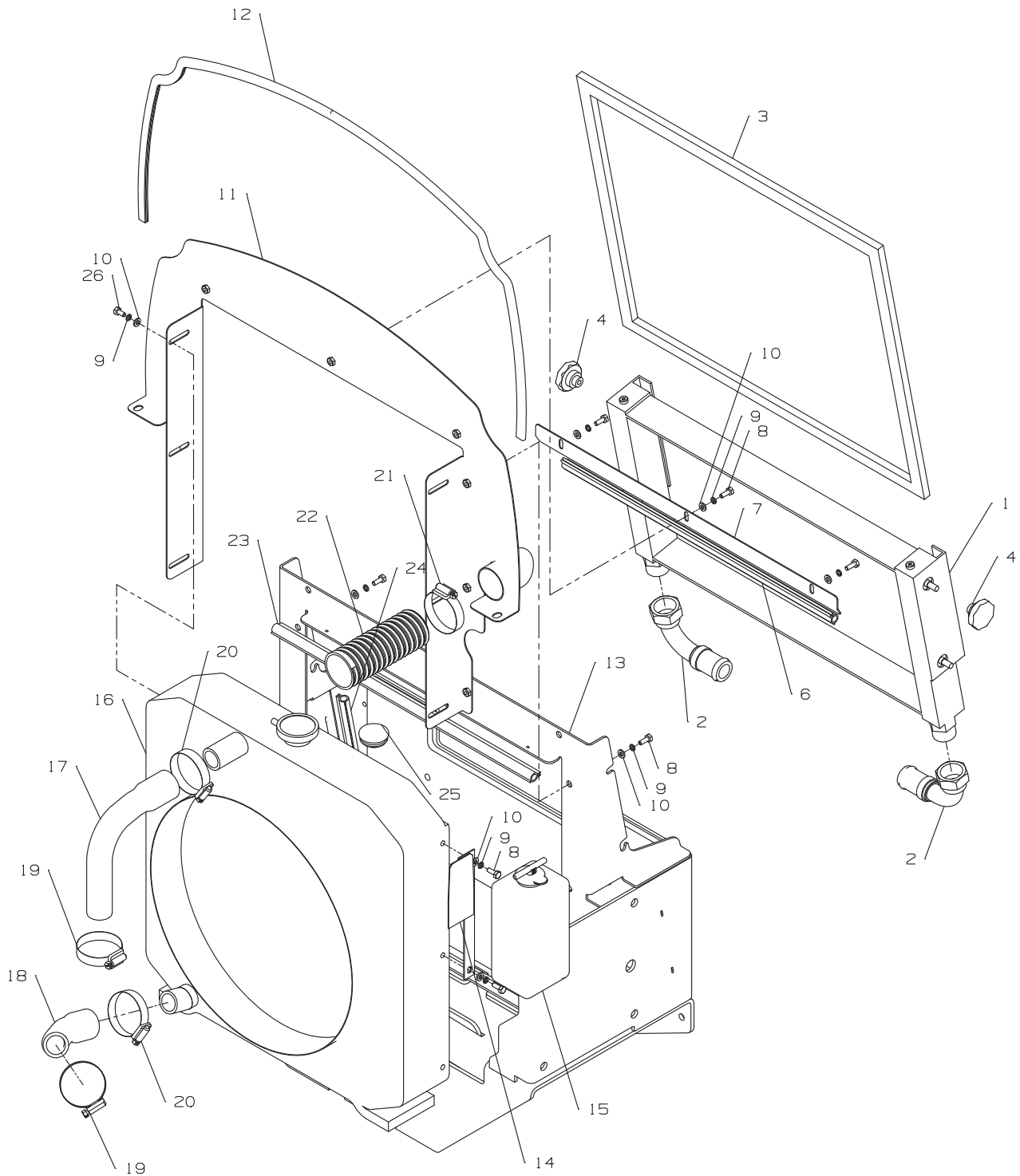
## RADIATOR & OIL COOLER MOUNTING



ITEM	PART NO.	DESCRIPTION	QTY.	REMARKS
		For Machines after and including Serial Number CG200563		
12-1	4196940	OIL COOLER (THERMAL TRANSFER)	1	
12-2	4116484	FITTING - 90 deg 1"BSPP x 1-1/4"	2	
*	008089820	HOSE CLAMP	2	1 PER ITEM 2
*	4115389	OIL COOLER HOSE	2	CONNECT TO ITEM 2
12-3	009001840	BUGSCREEN	1	
*	PF24-113	SEALING STRIP	1.5	1.5m REQUIRED
12-4	002990293	M8 HANDKNOB	2	
12-5	450378	NUT-HEX M8 NYLOC	2	
12-6	4241642	SEALING STRIP	1	600 LONG (From S/N: CG200640)
12-7	MBG7109	OIL COOLER SEALING STRIP	1	
12-8	450168	SCRW-HEX M6 X 12	11	
12-9	450410	WSHR-SLW M6	13	
12-10	450389	WSHR-M6 X 12.5 X 1.8	13	
12-11	MBF2385	BAFFLE PLATE W/ASSY	1	
*	MBG7108	305 RAD SEAL	2	
12-12	4241642	SEALING STRIP	1	1270 LONG (From S/N: CG200640)
12-13	4247271	WLDMT-REAR AXLE	1	
12-14	MBF2276	EXP. BOTTLE BRKT W/A	1	
12-15	4123303	EXPANSION BOTTLE	1	
*	19059-72091	BREATHER PIPE EX KUBOTA	1	
*	16292-72001	RADIATOR KIT	*	NON TURBO
12-16	16292-72061	RADIATOR	1	NON TURBO
12-18	16286-72851	HOSE-RADIATOR, LOWER	1	NON TURBO
12-17	16296-72941	HOSE-RADIATOR, UPPER	1	NON TURBO
	4149737	RADIATOR	1	TURBO
	4117044	BRASS PLUG 3/8"BSP	1	TURBO
	002600640	DOWTY SEAL 3/8" BSP	1	TURBO
	4116801	TOP RADIATOR HOSE	1	TURBO
	4116947	BOTTOM RADIATOR HOSE	1	TURBO
	4150377	RADIATOR SEAL	2	
12-19	36200-82721	CLAMP	4	FOR RADIATOR HOSES
12-20	36200-82721	CLAMP	*	
12-21	48383	HOSE CLAMP 2-1/2"	2	ONE PER END, OTHER AIR CLEANER.
12-22	4116202	AIR INTAKE HOSE	1	42" LONG - NON TURBO
	009100800	AIR INLET HOSE	1	TURBO
12-24	4241642	SEALING STRIP	2	250 LONG (From S/N: CG200640)

# JACOBSEN FAIRWAY 305 SERIES: CG

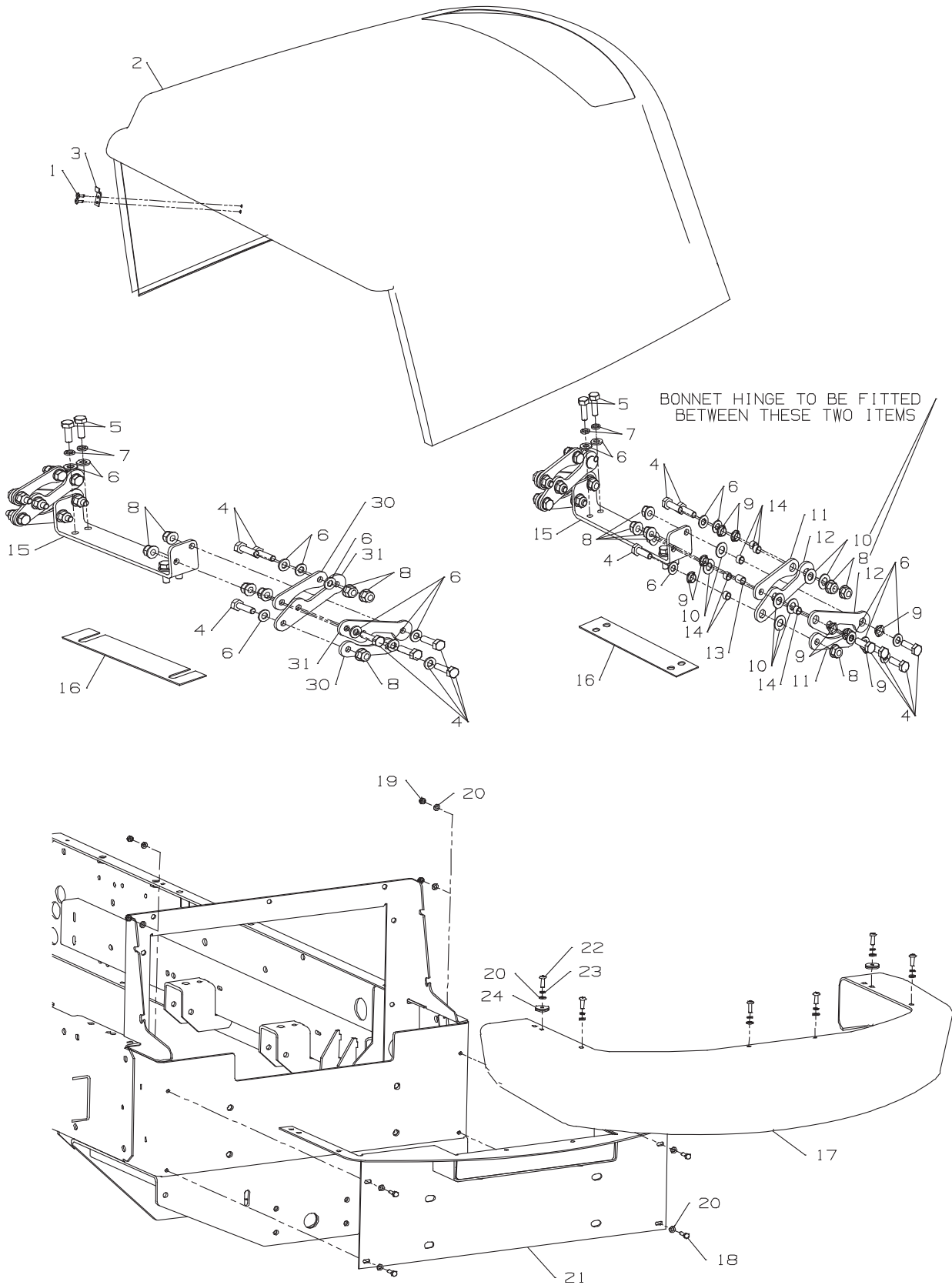
## RADIATOR & OIL COOLER MOUNTING





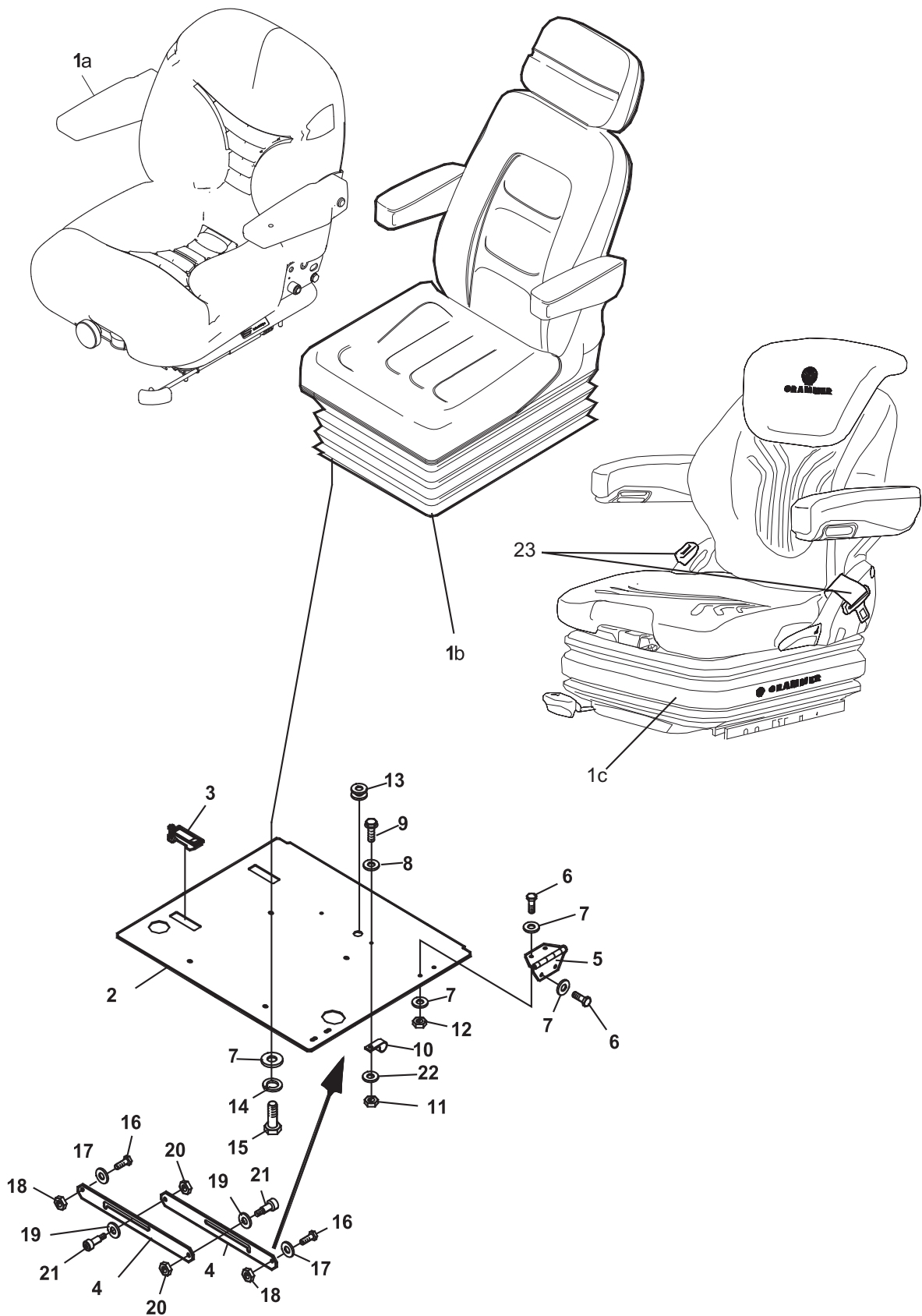
ITEM	PART NO.	DESCRIPTION	QTY.	REMARKS
12-25 12-26	008955160 450168	GROMMET SCRW-HEX M6 X 12	1 4	DRAIN PLUG REAR BOX RADIATOR MOUNTING SCREWS.

BONNET HINGE ARRANGEMENT / REAR BUMPER

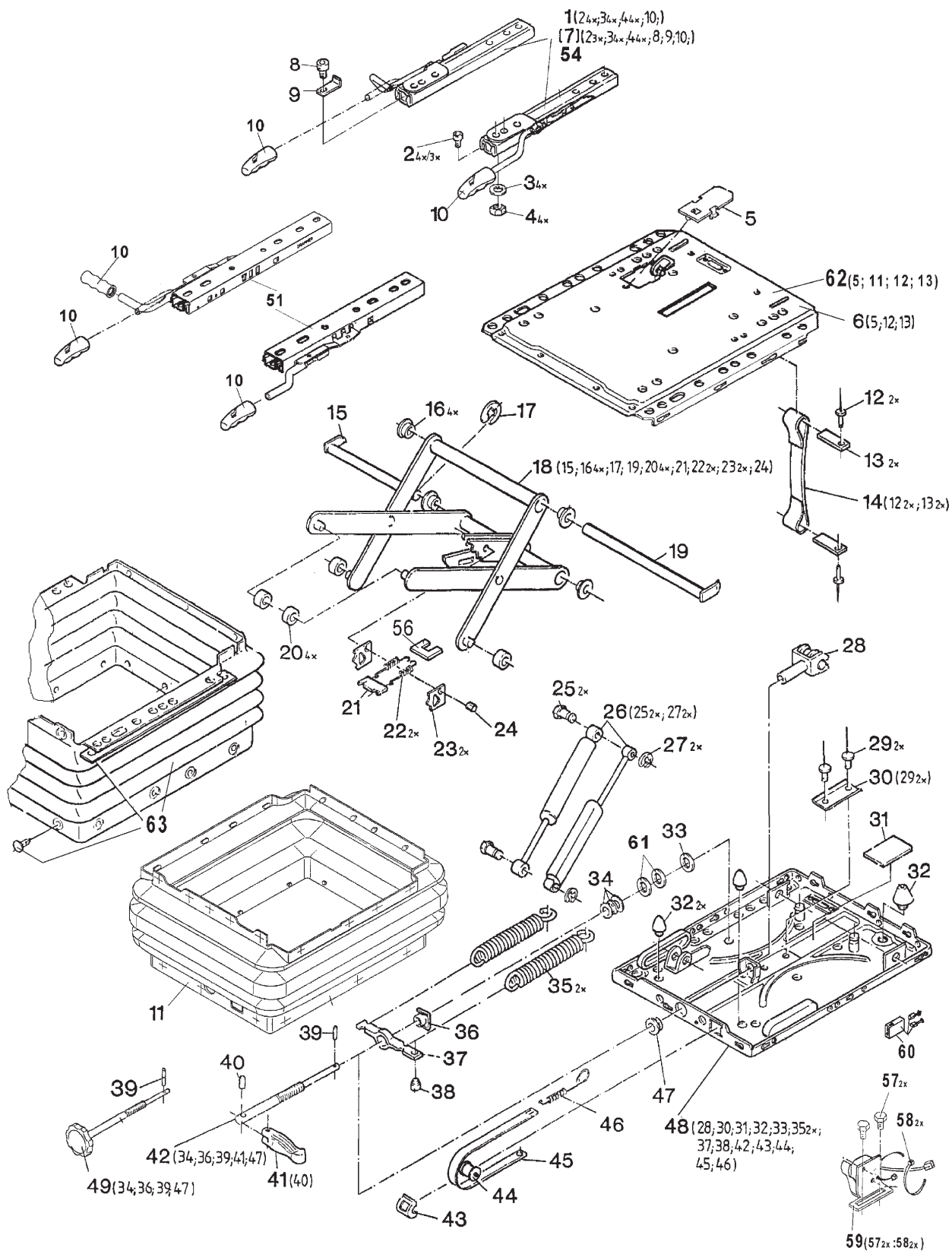


ITEM	PART NO.	DESCRIPTION	QTY.	REMARKS
13-1	001496133	POP RIVET	2	
13-2	009135850	BONNET	1	
*	4116171	BONNET SEALING STRIP	1	RUBBER INSERTION FOAM
*	009040260	BONNET SEAL FOAM	1	CLOSED CELL FOAM
13-3	2198112	LATCH	1	
13-4	450029	BOLT-HEX M10 X 35	14	
13-5	450215	SCRW-HEX M10 X 30	4	
13-6	450391	WSHR-M10 X 21 X 2.2	18	
13-7	450412	WSHR-SLW M10	4	
13-8	452437	NUT-NYLOC M10 FLNG	14	
13-9	J366877	NYLINER BEARING	16	
13-10	J366878	NYLON WASHER	14	
13-11	MBG6792	HINGE BRKT-SHORT	4	
13-12	MBG6794	HINGE BRKT-LONG	4	
13-13	MBG6803	SPACER-HINGE, HOOD LONG	2	
13-14	MBG6804	SPACER-HINGE, HOOD SHORT	12	
13-15	MBG6824	BONNET BRACKET	1	
13-16	MBG7076	BONNET SPACER	AR	
13-17	009135840	REAR BUMPER	1	
13-18	450171	SCRW-HEX M6 X 20	4	
13-19	450377	NUT-HEX M6 NYLOC	4	
13-20	450389	WSHR-M6 X 12.5 X 1.8	6	
13-21	MBF2299	HINGE SEALING W/ASSY	1	
13-22	450542	SCRW-PAN HD M6 X 20	6	
13-23	450410	WSHR-SLW M6	6	
13-24	452101667	WSHR-1/4" X 1"	4	
13-30	MBG7112	HINGE BRKT-SHORT	4	
13-31	MBG7111	HINGE BRKT-LONG	4	

SEAT MOUNTING



ITEM	PART NO.	DESCRIPTION	QTY.	REMARKS
15-1a	4137966	SEAT, GRAMMER MSG85	1	
15-1b	008199400	SEAT, GRAMMER S85/90R	1	
15-2	MBF0603B.06	SEAT PLATE W/A	1	
*	450214	SCREW M10 X 25	2	SEAT PLATE TO FRAME
*	450391	WASHER M10	2	SEAT PLATE TO FRAME
*	450412	LOCKWASHER M10	2	SEAT PLATE TO FRAME
15-3	2208075	LATCH-ADJUSTABLE LEVER	2	
15-4	2202118.07	SEAT SUPPORT	2	
15-5	MBG2013.07	SEAT HINGE	2	
15-6	450191	SCRW-HEX M8 X 20	8	
15-7	450390	WASHER M8	17	
15-8	450389	WASHER M6	1	
15-9	450172	SCRW-HEX M6 X 25	1	
15-10	469016517	P-CLIP	1	
15-11	450377	NYLOC M6	1	
15-12	450378	NYLOC M8	8	
15-13	002953223	GROMMET	1	
15-14	450411	WASHER SLW M8	4	
15-15	450192	SCRW-HEX M8 X 25	4	
15-16	450214	SCRW-HEX M10 X 25	2	
15-17	450391	WSHER M10	2	
15-18	450379	NYLOC M10	2	
15-19	001599264	3/8" WASHER	2	
15-20	001393222	3/8" NYLOC	2	
15-21	W64166-03	SHOULDER BOLT 3/8"	2	
15-22	MBF1605	SPACER	1	
15-23	4142205	RETRACTING LAP BELT	1	FOR USE WITH ROPS FRAME OR CAB
*	450392	WASHER M12 X 24 X 2.7	2	FOR ITEM 23
*	456010967	SCREW, HEX 7/16-20 X 1	6	FOR ITEM 23
*	4176261	SPACER 12 X 18 X 9	2	FOR ITEM 23



ITEM	PART NO.	DESCRIPTION	QTY.	REMARKS
5	008173680	Cover	1	
6		Kit, Suspension Upper	1	
11		Kit, Bellow	1	
15	008173790	Bolt	1	
16	008173800	Bushing	4	
18	008199900	Swing Arm Kit	1	
19		Bolt	1	
20	008173780	Roller	4	
21	008173820	Plate	1	
22		Tension Spring	2	
23	008173830	Release Plate	2	
24	008173840	Bolt	1	
25	008173710	Bolt, M8 x 22, Yellow	2	
26	008199680	Kit, Shock Absorber, S	1	
27	008173720	Washer, Retaining, 5 mm	2	
28		Fork	1	
29	008173740	Rivet, 4.0 x 10.0	2	
30		Bracket, U-Shaped Pro	1	
31	008173760	Rubber Plate	1	
32	008173730	Bumper Set	1	
33	008173870	Thrust Washer Kit	1	
35	008144410	Spring, Tension	2	
36	008173880	Nut, M12, Flange	1	
37	008173910	Spring Bracket	1	
38	008173930	Plug, Retainer	1	
39		Pin, 3.0 x 16	1	
40		Pin, 4 x 28	1	
41		Handle (Toggle)	1	
42		Adjustment Spindle	1	
43	008173950	Guide	1	
44	008193960	Roller	1	
45	008193920	Band, Weight, 130 kg	1	
46	008173940	Tension Spring	1	
47		Bushing	1	
52		Suspension Lower Par	1	
53		Fixing Parts	1	
55		Suspension MSG85	1	
57		Screw, M6 x 12	2	
58		Ties, Cable, 2.5 x 102	2	
59		Switch	1	
60	008174000	Connector, Electrical	1	

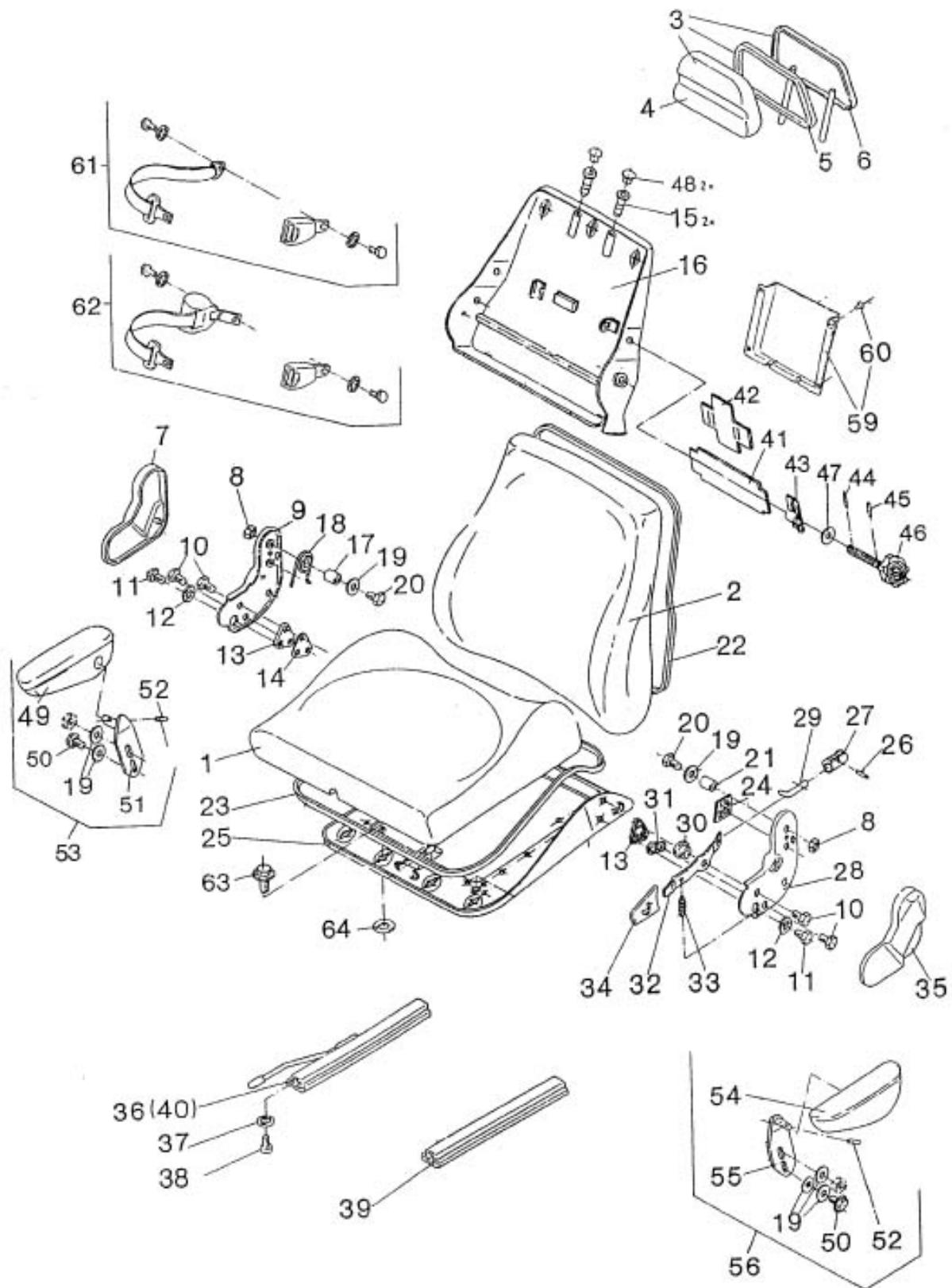




ITEM	PART NO.	DESCRIPTION	QTY.	REMARKS	
1	113048	Assy, Cushion, Backrest	1		
2		Assy, Cushion, Seat	1		
3		Screw, M5 x 25, Pan Hd	7		
4		Seat Pan	1		
5		Backrest Pan Kit	1		
7		Tube	2		
8		Backrest Extension	1		
22		Tube	2		
23		Screw, M8-1.25 x 40	2		
24		Rivet, 6 x 12	1		
25		Nut, Hex, M8-1.25	6		
26		Nut, Hex, M8-1.25	2		
27		Lever	1		
28		Handle, Grey	1		
29		Cover, LH, Blk	1		
33		Cover, RH, Blk	1		
34		Screw M8 x 16	4		
35		Set of Adjustment Rails	1		
36		Nut, Hex M8-1.25	4		
37		Washer, Flat, M8	11		
38		Washer 8.4-Hv140	6		
39		Kit, Seatbelt, 2 Retractable	1		
40		Seatbelt, 2 Non-retractable	1		
42		Spring, Spiral	1		
44		Stop	1		
46		Bearing Kit	1		
48		Spring, Leg, Backrest	1		
49		Set of Adjustment Rails	1		
54		Screw, M8 x 16, Hex Socket	4		
67		Literature Box	1		One supplied
*		Literature Holder (net)	1		
68	Blind Rivet 3.2 x 11.2	5			
69	Ball	5			
88	Armrest	1			
89	Armrest	1			

JACOBSEN FAIRWAY 305 SERIES: CG

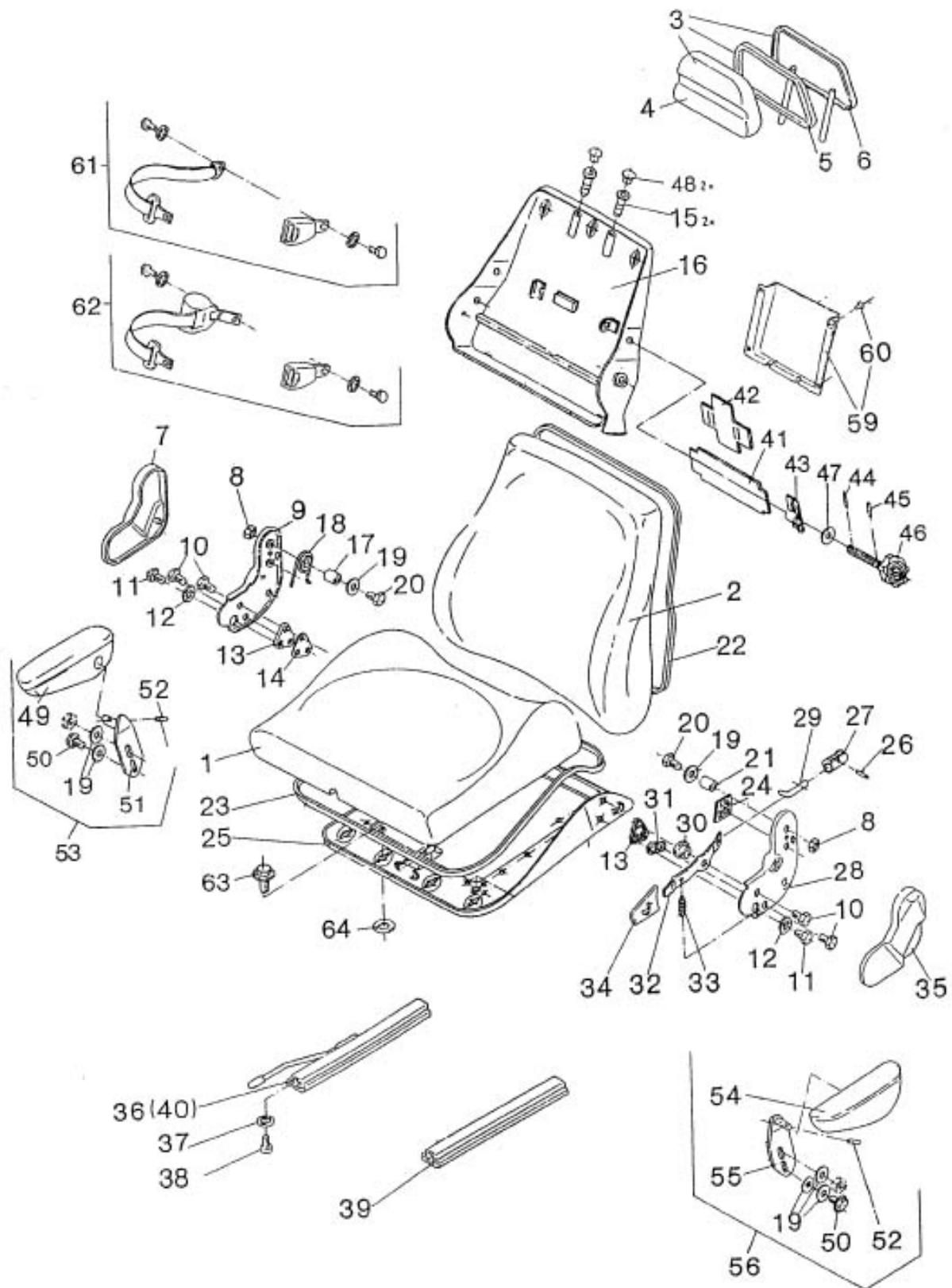
SEAT BREAKDOWN GRAMMER (S 85 / 90R)



ITEM	PART NO.	DESCRIPTION	QTY.	REMARKS
	008199400	SEAT ASSY COMPLETE	1	INCLUDING SUSPENSION
16-1	008199450	SEAT CUSHION	1	
16-2	008199460	BACK REST CUSHION	1	
16-3	008199560	HEAD REST ASSY.	1	
16-4	008199470	HEAD REST CUSHION	1	
16-5	008173520	EDGE STRIP	1	
16-6	N/A	HEAD REST FRAME	1	
16-7	008199610	COVER RH	1	
16-8	008173370	NUT	2	
16-9	008173380	MOUNTING RH	1	
16-10	008173390	SCREW	4	
16-11	008173400	SCREW	2	
16-12	008173410	SP WASHER	2	
16-13	008173420	DISTANCE PLATE	2	
16-14	008173430	DISTANCE PLATE	1	
16-15	008173440	BUSH	2	
16-16	008199690	BACK PLATE	1	
16-17	008173450	TUBE	1	
16-18	008173460	SPRING	1	
16-19	008173470	WASHER	2	
16-20	008173480	SCREW	2	
16-21	008173490	TUBE	1	
16-22	008173500	EDGE STRIP	1	
16-23	008173510	EDGE STRIP	1	
16-24	008173530	DISTANCE PIECE	1	
16-25	008173540	SEAT PLATE	1	
16-26	008199650	PIN	1	
16-27	008199660	DETENT	1	
16-28	008173550	MOUNTING LH	1	
16-29	008199670	ROD	1	
16-30	008173560	BUSH	1	
16-31	008173570	DISTANCE PIECE	1	
16-32	008173350	LEVER	1	
16-33	008173360	SPRING	1	
16-34	008199860	HANDLE	1	
16-35	008173580	COVER LH	1	
16-36	008199640	RAIL WITH LEVER	1	
16-37	008173590	WASHER	4	
16-38	008173600	SCREW	4	
16-39	008199750	RAIL	1	
16-41	008173610	PLATE	1	
16-42	008173620	PLATE	1	
16-43	008199700	NUT	1	

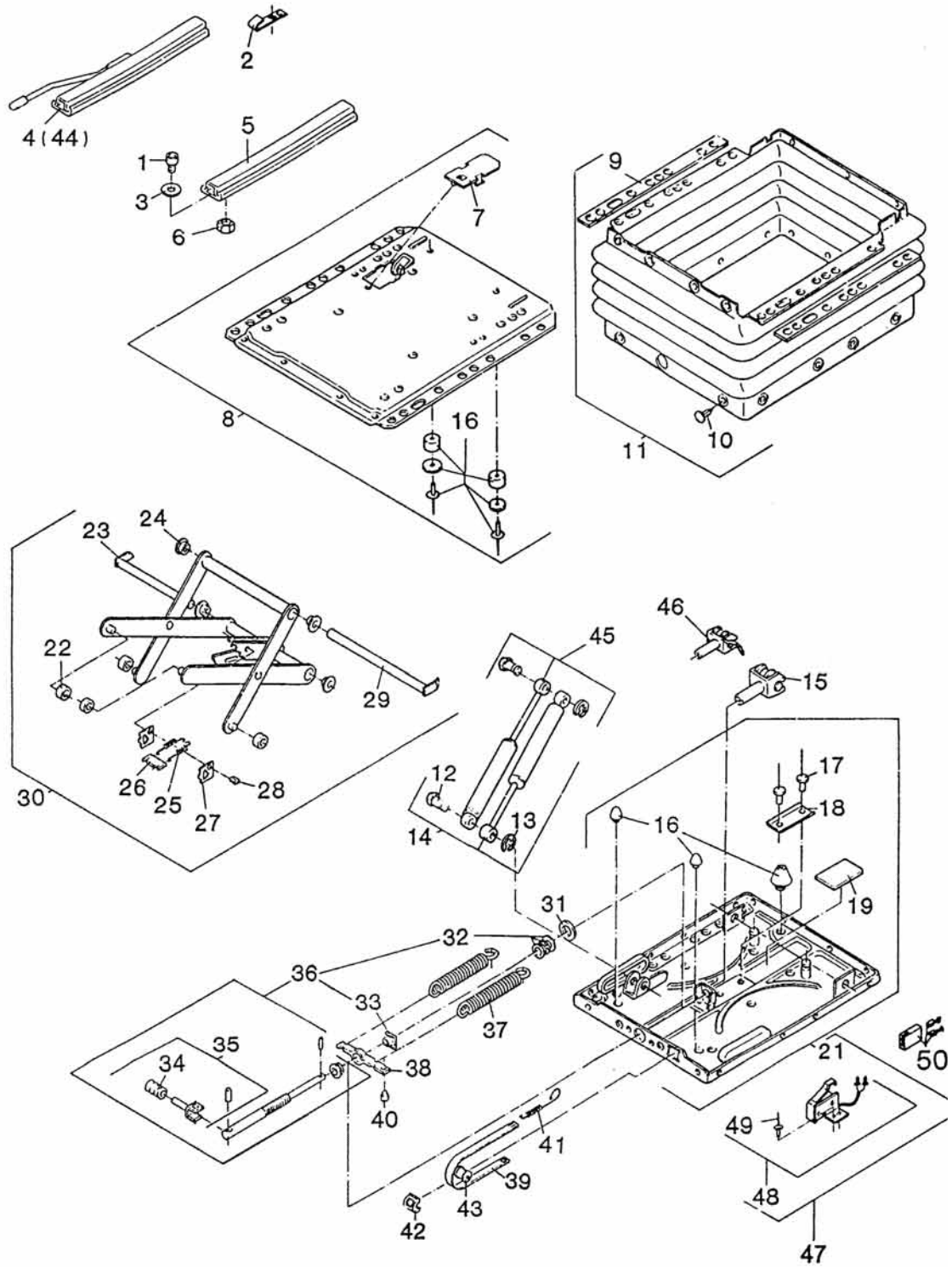
JACOBSEN FAIRWAY 305 SERIES: CG

SEAT BREAKDOWN GRAMMER (S 85 / 90R)

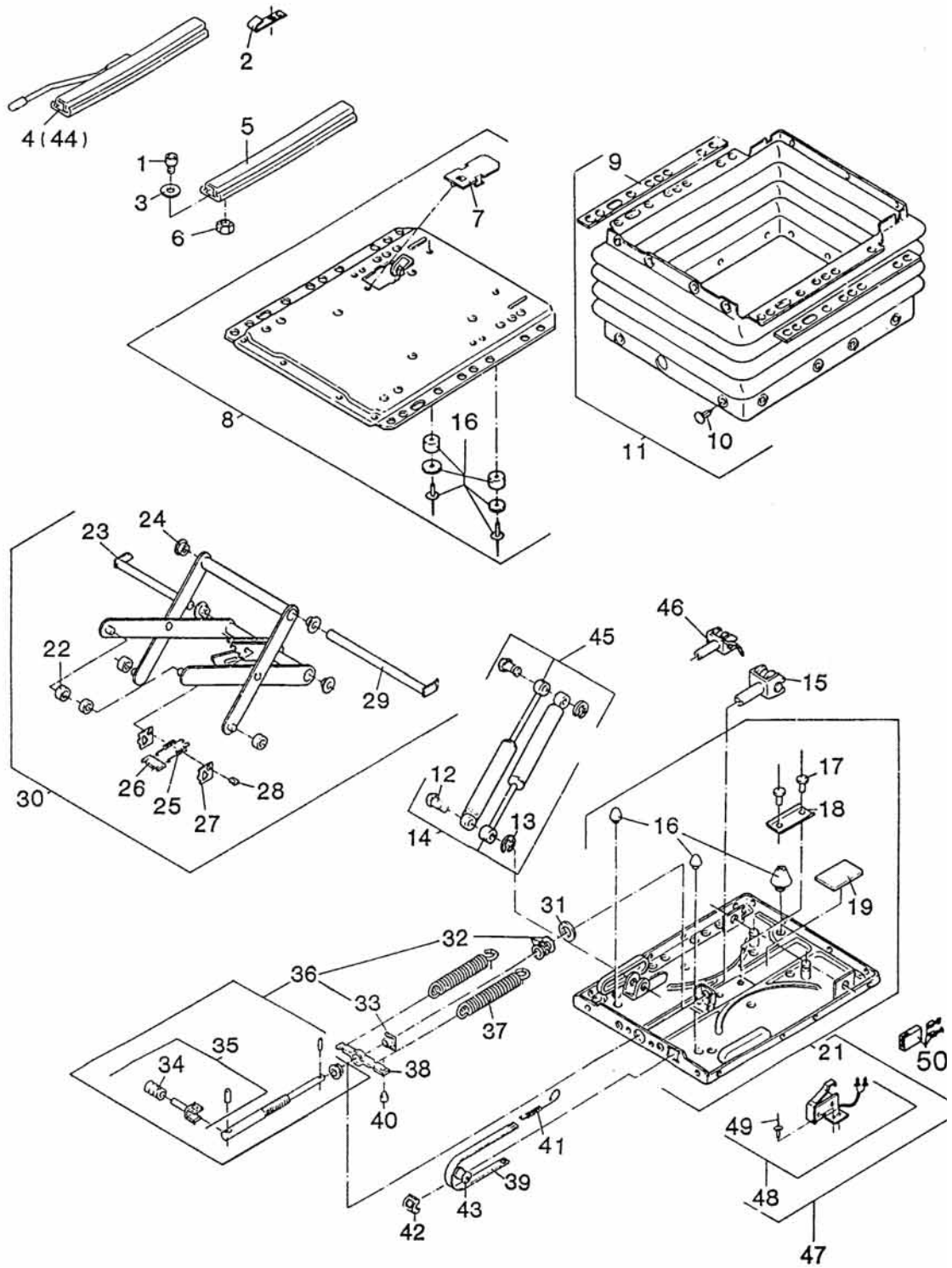


ITEM	PART NO.	DESCRIPTION	QTY.	REMARKS
16-44	008199710	PIN	1	
16-45	008199720	PIN	1	
16-46	008199730	ADJUSTING SPINDLE	1	
16-47	008199740	WASHER	1	
16-48	N/A	PLUG	2	
16-49	008199550	ARM REST RH	1	
16-50	N/A	SCREW	2	
16-51	N/A	SUPPORT RH	1	
16-52	N/A	PIN	2	
16-53	008199850	ARM REST ASSY. RH	1	
16-54	008173630	ARM REST LH	1	
16-55	N/A	SUPPORT LH	1	
16-56	008199860	ARM REST ASSY. LH	1	
16-59	N/A	COVER ASSY	1	
16-60	N/A	SCREW	1	
16-61	N/A	SEAT BELT FIXED	1	
16-62	N/A	SEAT BELT REEL	1	
16-63	N/A	SCREW		
16-64	N/A	WASHER		

SEAT SUSPENSION BREAKDOWN GRAMMER DS85H



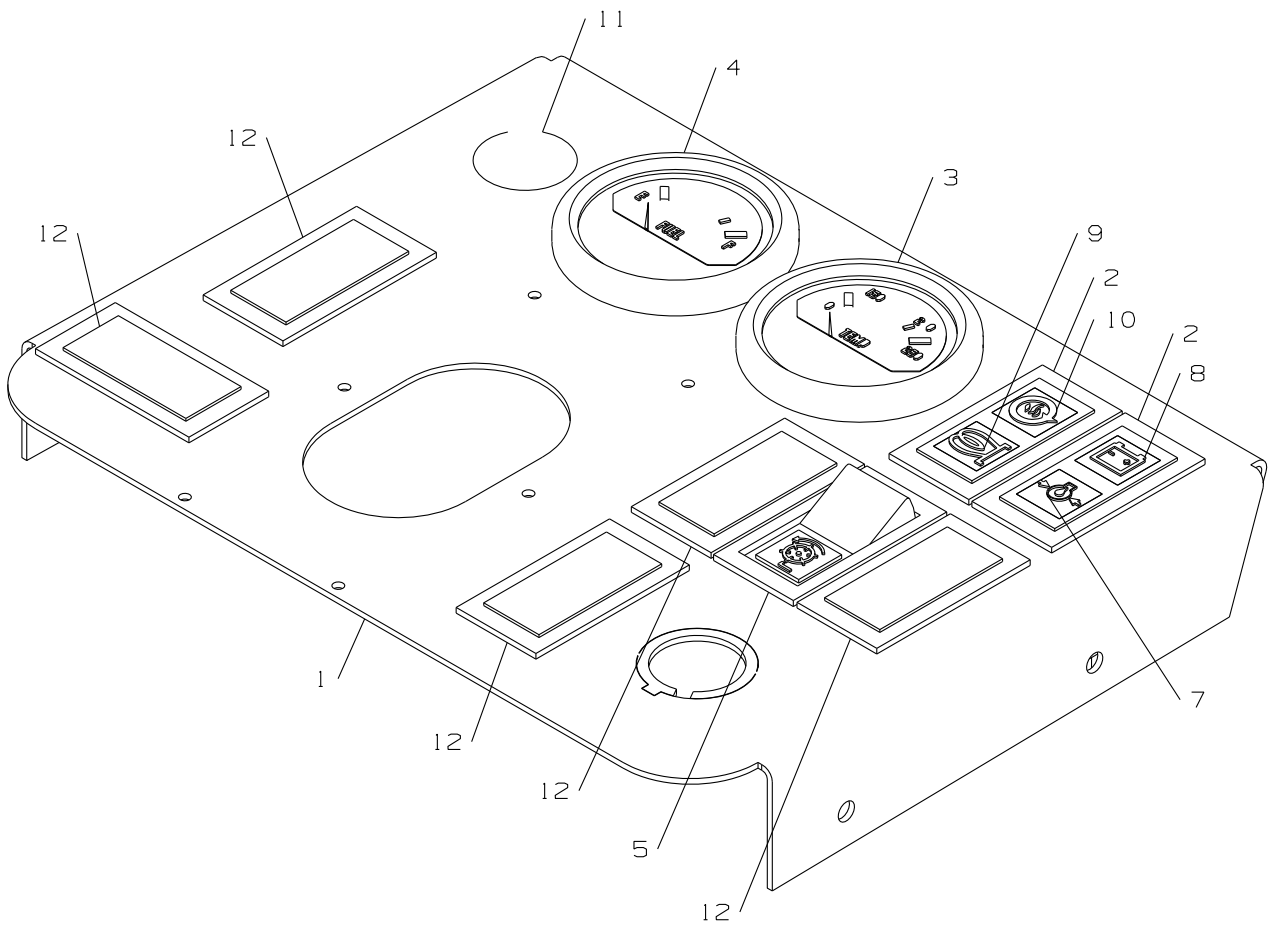
ITEM	PART NO.	DESCRIPTION	QTY.	REMARKS
17-1	008173640	SCREW	6	
17-2	008173650	STOP	1	
17-3	008173660	WASHER	2	
17-4	008199640	SLIDE WITH LEVER	1	
17-5	008199750	SLIDE	1	
17-6	008173670	NUT	6	
17-7	008173680	COVER	1	
17-8	008173690	BASE ASSY.	1	
17-9	008173700	PLATE	2	
17-10	008199790	PIN	21	
17-11	008199840	GAITER ASSY.	1	
17-12	008173710	PIN	2	
17-13	008173720	E CLIP	2	
17-14	008199680	DAMPER ASSY	1	
17-16	008173730	BUFFER ASSY.	1	
17-17	008173740	RIVET	2	
17-18	008173750	RUNNER	1	
17-19	008173760	PLATE	1	
17-20	008173770	SUSPENSION ASSY.	1	
17-22	008173780	ROLLER	4	
17-23	008173790	PIN	1	
17-24	008173800	BUSH	4	
17-25	008173810	SPRING	2	
17-26	008173820	PLATE	1	
17-27	008173830	PLATE	2	
17-28	008173840	BOLT	1	
17-29	008173850	PIN	1	
17-30	008199900	HINGE	1	
17-31	008173860	WASHER	1	
17-32	008173870	BEARING	1	
17-33	008173880	NUT	1	
17-34	008173890	HANDLE	1	
17-35	008173900	LEVER ASSY.	1	
17-36	008199920	WEIGHT ADJUSTER	1	
17-37	008199410	SPRING	2	
17-38	008173910	SPRING HOOK	1	
17-39	008173920	WEIGHT INDICATOR	1	
17-40	008173930	STOP	1	
17-41	008173940	SPRING	1	
17-42	008173950	WINDOW	1	
17-43	008173960	ROLLER	1	
17-46	008173970	FORK	1	
17-47	008173980	SPRING FRAME	1	





ITEM	PART NO.	DESCRIPTION	QTY.	REMARKS
17-48	009054480	MICROSWITCH	1	
17-49	008173990	SCREW	2	
17-50	008174000	CONNECTOR	1	

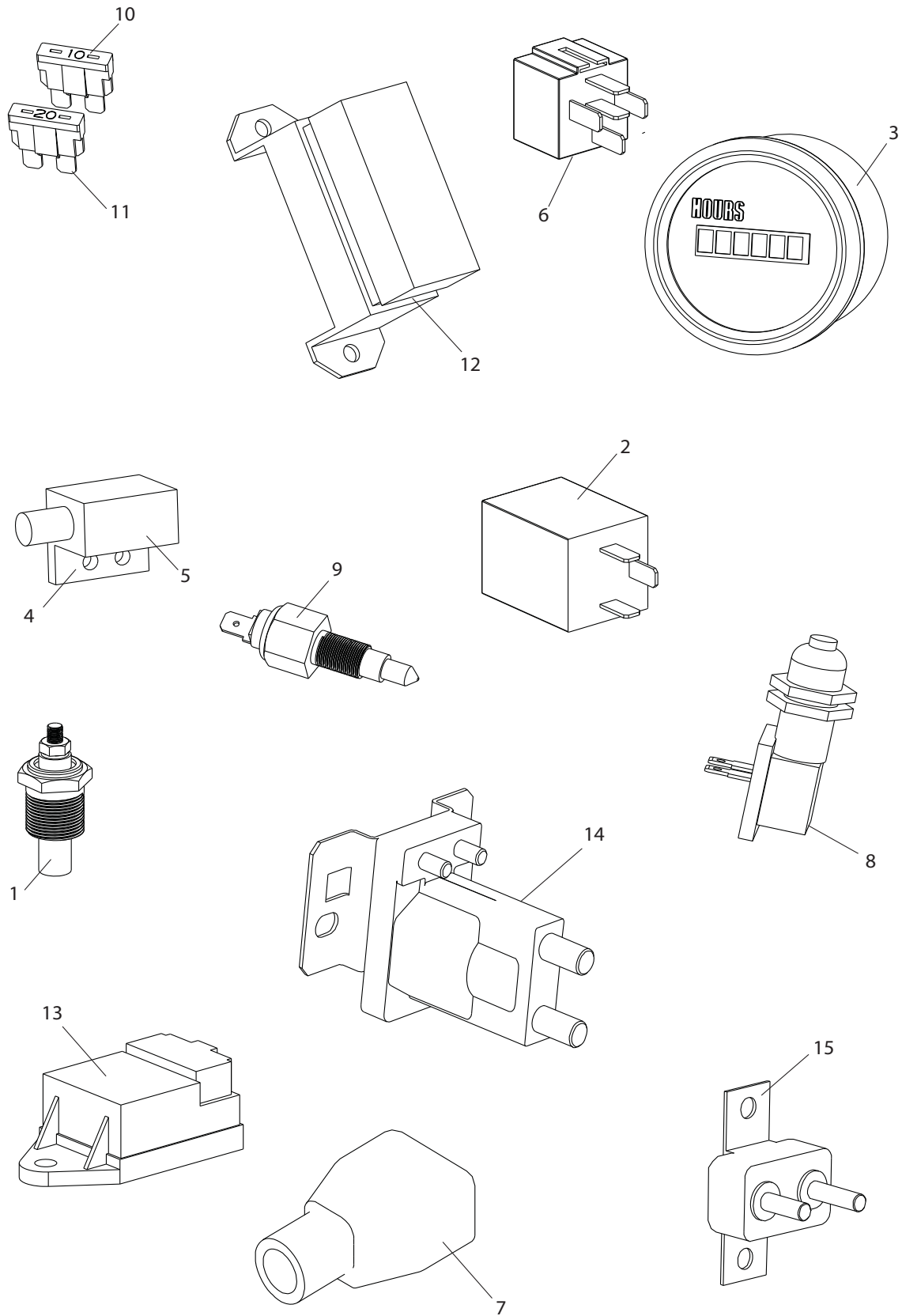
ELECTRICS - INSTRUMENT PANEL



ITEM	PART NO.	DESCRIPTION	QTY.	REMARKS
	009050490	INCLUDES ALL ITEMS LISTED WITH THE EXCEPTION OF ITEM 13.		
18-1	MBG5127A	INSTRUMENT PANEL	1	
18-2	008231870	TWIN PILOT LIGHT	2	
18-3	178092-03	WATER TEMP GA #06347	1	
18-4	178092-04	FUEL GAUGE #06339-01	1	
18-5	2208066-01	CUTTER SWITCH	1	
18-6	008295870	LENS-MOW ENGAGE	1	
18-7	008295630	LENS-ENG PRE-HEAT	1	
18-8	008295640	LENS-BATTERY CHARGE	1	
18-9	008295650	LENS-PRE-HEAT	1	
18-10	008295710	LENS-ENG O\HEAT	1	
18-11	002952146	DOMED PLUG (7/8")	1	
18-12	008295210	BLANKING PLUG	5	
*	009055920	HARNESS-INSTRUMENT PANEL	1	
*	MBE3961B.07	BEZEL - STEERING	1	
*	009134160	GAITER (STEEL FRAME)	1	
*	451126	SCRW PAN HD No.6 X 9.5	6	

# JACOBSEN FAIRWAY 305 SERIES: CG

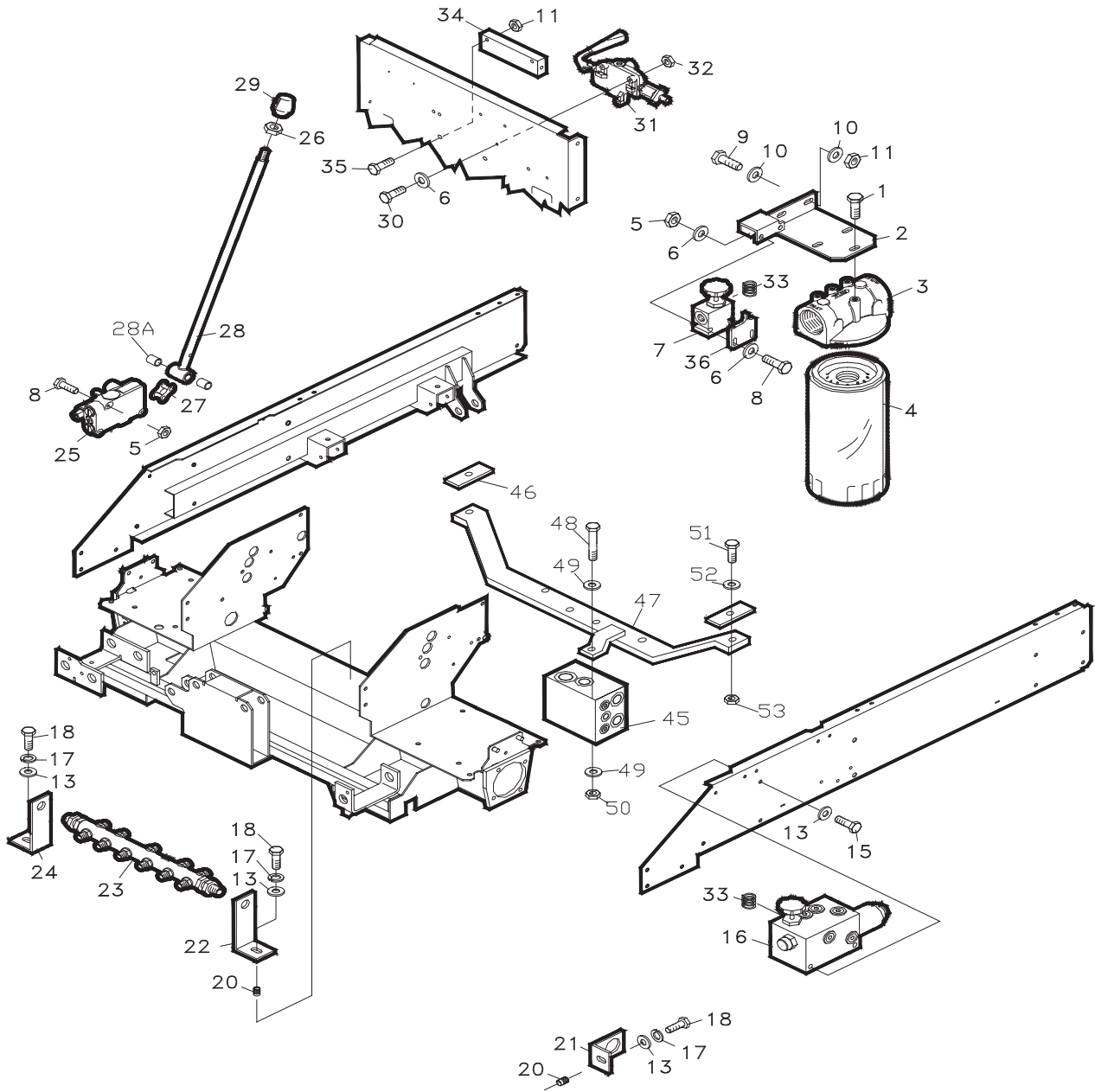
## ELECTRICS - VARIOUS COMPONENTS



ITEM	PART NO.	DESCRIPTION	QTY.	REMARKS
*	4118646	MAIN HARNESS	1	
*	178083	CABLE - BATTERY NEGATIVE	1	
*	148164	CABLE - BATTERY POSITIVE	1	
*	009055750	HARNESS - FUEL PUMP	1	
*	008220920	SPLICES (AMP 34318)	2	
18A-1	W148270	SENDER -TEMP	1	
18A-2	008244640	SEAT SWITCH DELAY	1	
18A-3	008109660	HOURMETER LCD 2 TERMINAL	1	
18A-4	W038383	SWITCH N/C	2	
18A-5	W38382	SWITCH N/O	1	
18A-6	W128037	RELAY	3	
*	008238340	RELAY BLOCK	4	
*	450149	SCREW HEX - M5 X 12	2	HARDWARE FOR RELAY BLOCK
*	450376	NUT NYLOC M5	2	
18A-7	4139551	INSULATION BOOT	1	
*	009055750	WIRE-JUMPER (FUEL PUMP)	1	
*	4116694	ADDITIONAL HARNESS	1	
18A-8	2208099	FOOT SWITCH	1	
18A-9	2208083	TEMPERATURE SWITCH 80C	1	
*	008233156	FUSE 5 AMP	1	
18A-10	008233164	FUSE 10 AMP	2	
18A-11	008233180	FUSE 20 AMP	1	
*	008233203	FUSE 30 AMP	1	
18A-12	008238350	FUSE CARRIAGE	1	
*	450529	SCREW-PAN M5 X 20	2	HARDWARE FOR FUSES
*	450376	NUT NYLOC M5	2	
18A-13	008244670	LAMP TIMER	1	
*	450149	SCREW-HEX M6 X 12	1	HARDWARE FOR LAMP TIMER
*	450377	NUT NYLOC M6	1	
18A-14	38665	SOLENOID	1	
18A-15	48524	CIRCUIT BREAKER 40AMP	1	
*	4175160	Red Insulation Boot	1	

# JACOBSEN FAIRWAY 305 SERIES: CG

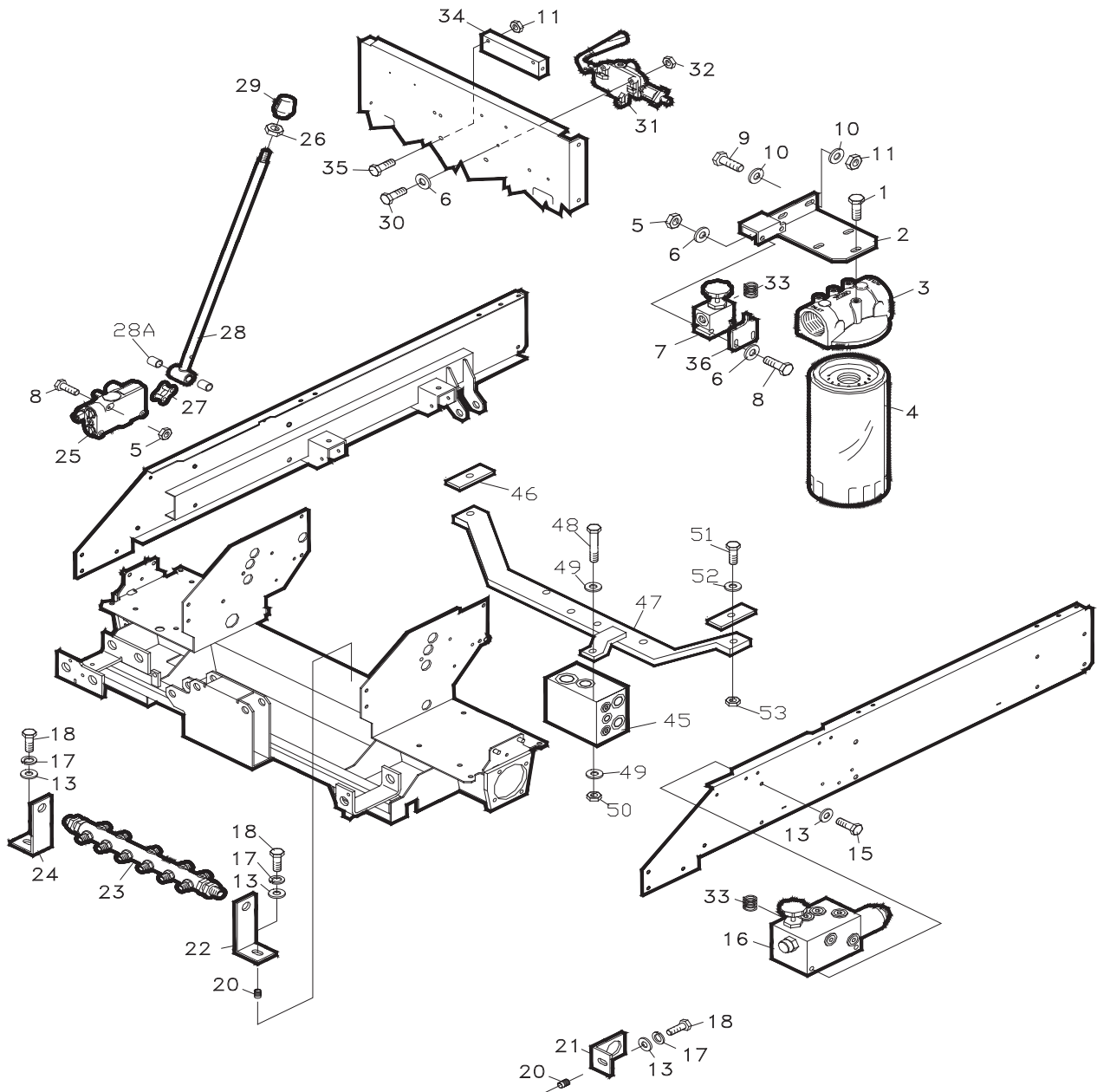
## HYDRAULIC VALVE MOUNTING



ITEM	PART NO.	DESCRIPTION	QTY.	REMARKS
19-1	001190034	BLT-WLF 5/16-18 X 3/4	3	
19-2	2202091.07	BRKT-FILTER	1	
19-3	2208038	FILTER HEAD-SPIN ON	1	
19-4	W178025	FILTER-SPIN ON	1	
19-5	450377	LOCKNUT NYLOC M6	6	
19-6	450389	WASHER-M6	10	
19-7	2208046	VALVE BLCK-BACK PRESS	1	
*	64044-17	SCREW-SET FOR BACK PRESS	1	
19-8	450005	HEX BOLT M6-1 .0 X 50	4	
19-9	450191	BOLT HEX M8 X 20	2	
19-10	450390	WASHER-M8	4	
19-11	450378	LOCKNUT NYLOC M8	4	
19-12	2198235	VALVE-DECK	1	
19-13	450392	WASHER-M10	4	
19-15	450214	SCREW-HEX M10 X 25	2	
19-16	2208146	CYLINDER DRIVE VALVE	1	
19-17	450412	LOCKWASHER	2	
19-18	450214	BOLT M10 X 25	2	
19-20	450371	NUTSERT-M10	1	
19-21	2202112.07	BRKT-HYD FITTING	1	
19-22	2202114.07	BRKT-RETURN VALVE LH	1	
19-23	2208028	MANIFOLD-RETURN	1	
19-24	2202115.07	BRKT-RETURN VALVE RH	1	
19-25	2208144	LIFT VALVE (DANFOSS)	1	
*	148023-01	• SEAL KIT	1	
*	148023-0	• DETENT KIT 2	1	
*	148023-03	• PILOT CHECK KIT	1	
19-25	4171203	LIFT VALVE (EATON)	1	
*	4171203-01	SEAL KIT	1	
19-26	450120816	NUT-JAM 3/8-16	1	
19-27	003802027	MASTER LINK #50 CHAIN	1	
19-28	2206026A.0.7	WLDMT-LIFT HANDLE	1	
19-28A	590002574	OILITE BUSH 1/2" X 5/8" X 5/8"	2	
19-29	W068156A	HANDLE KNOB, BLACK	1	
19-30	450001	BOLT M6 X 30	3	
19-31	2208047	CYLINDER CONTROL VALVE	1	DANFOSS
19-31	4212460	CYLINDER CONTROL VALVE	1	ROQUET(From S/N: DH000589, CG200625, CH000629).
*	4210960	CYL CONTROL VALVE-SPACER	1	FOR ROQUET VALVE ONLY
*	4213780	BRACKET-BACKLAP SWITCH	1	FOR ROQUET VALVE ONLY
19-32	450377	NUT-M6 NYLOC	3	
19-33	2208085	SPRING-COMPRESSION	2	
19-34	2208051	MANIFOLD-LIFT	1	
19-35	450195	SCREW-HEX M8 X 40	2	

# JACOBSEN FAIRWAY 305 SERIES: CG

## HYDRAULIC VALVE MOUNTING

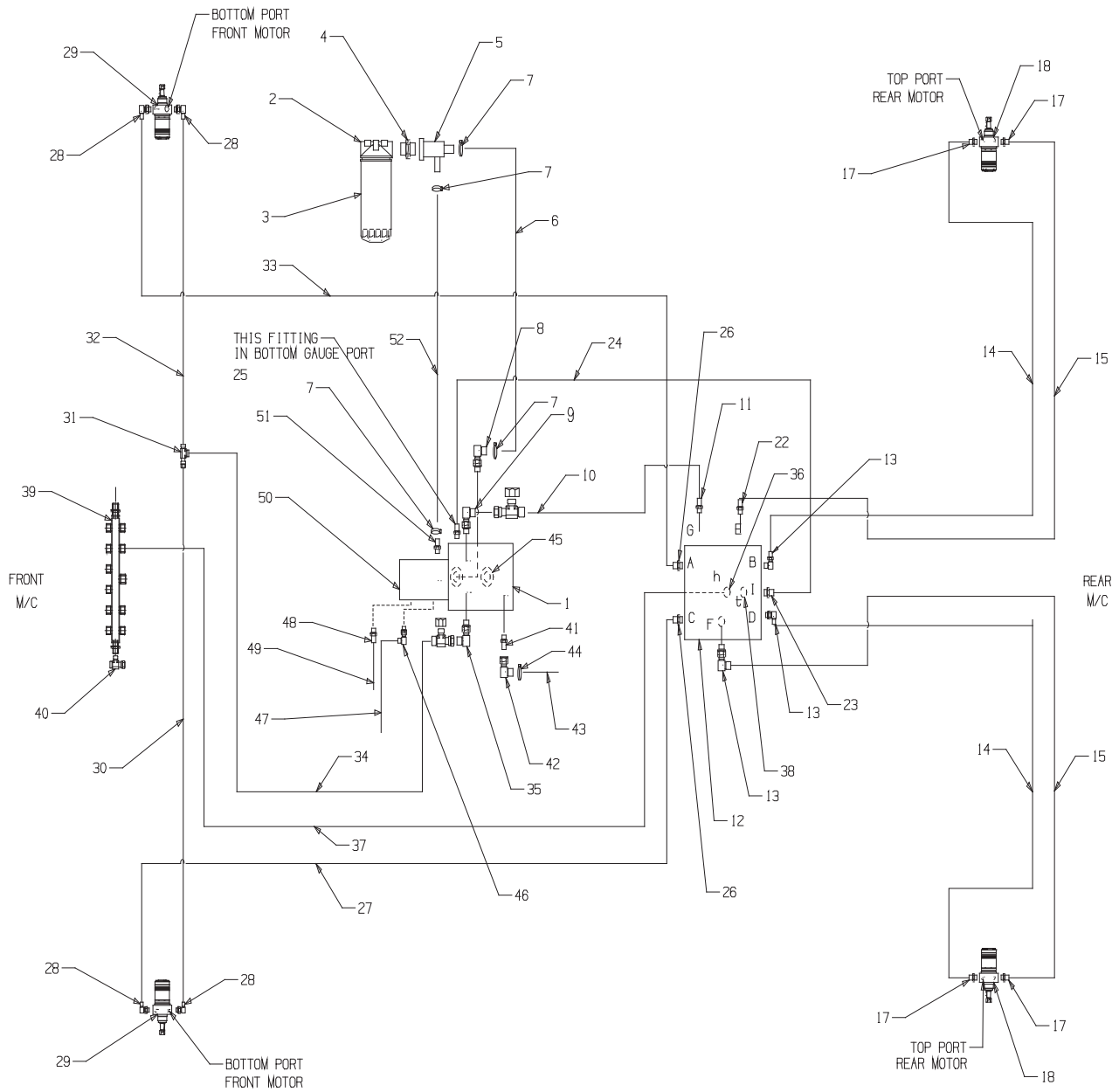




ITEM	PART NO.	DESCRIPTION	QTY.	REMARKS
19-36	2202211	STOP-BACK PRESSURE	1	
19-39	450390	WASHER-M8	2	
19-45	2208191	VALVE-4WD	1	
	2208191-01	• SEAL KIT	1	
19-46	MBG1574	PLATE-STIFFENER	2	
19-47	MBF1611.07	4WD VALVE BRACKET	1	
19-48	450026	BOLT-HEX M8 X 90	2	
19-49	450390	WASHER M8	4	
19-50	450378	NUT M8 NYLOC	2	
19-51	450214	SCREW-HEX M10 X 25	2	
19-52	450391	WASHER M10	2	
19-53	450379	NUT M10 NYLOC	2	

# JACOBSEN FAIRWAY 305 SERIES: CG

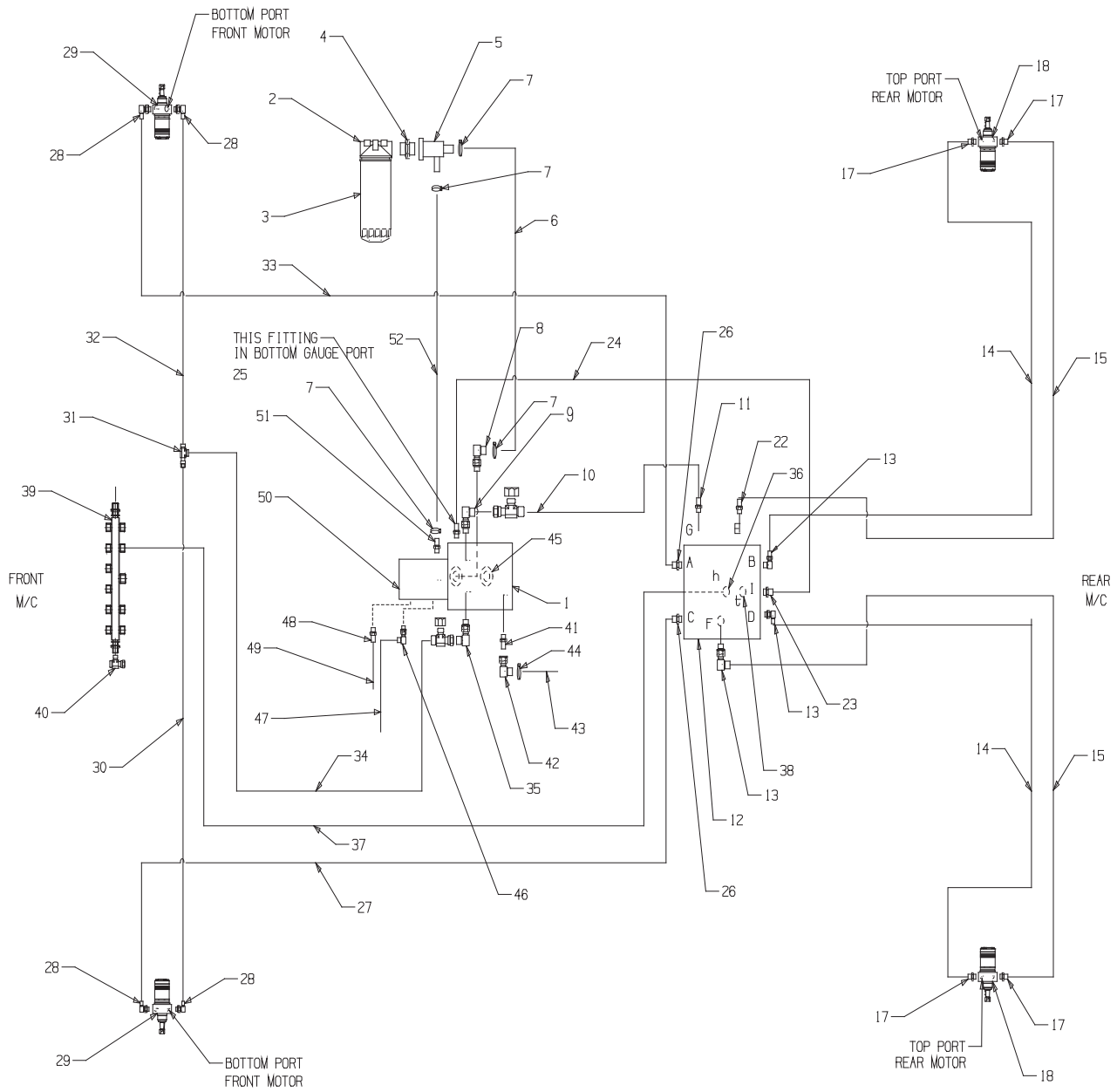
## HYDRAULIC TRACTION CIRCUIT



ITEM	PART NO.	DESCRIPTION	QTY.	REMARKS
17-1	A800638	PUMP (TRACTION)	1	
17-2	2208038	FILTER HEAD	1	
17-3	W178025	FILTER CANISTER	1	
17-4	158006-12	MALE CONNECTOR - 1 7/8 UNF	1	
17-5	A910032	MANIFOLD - INLET	1	
17-6	A912171	SUCTION HOSE	1	
17-7	108094-01	HOSE CLAMP	4	
17-8	W158058-03	90° MALE ELBOW WITH HOSET	1	
17-9	A259060	90° ELBOW WITH TEST PORT	1	
17-10	A799613	HYDRAULIC HOSE ASSEMBLY	1	
17-11	W158006-08	MALE CONNECTOR 1 1/16 UNF	1	
17-12	2208191	VALVE BLOCK - TRANSMISSION	1	
17-13	W158007-05	90° MALE ELBOW 7/8 UNF	3	
17-14	A799723	HYDRAULIC HOSE ASSEMBLY	2	
17-15	A799724	HYDRAULIC HOSE ASSEMBLY	2	
17-17	W158006-07	MALE CONNECTOR 7/8 UNF	4	
17-18	W148141-07	WHEEL MOTOR ME	2	
17-22	W158006-07	MALE CONNECTOR 7/8 UNF	1	
17-23	A251510	MALE CONNECTOR 9/16 UNF	1	
17-24	A799616	HYDRAULIC HOSE ASSEMBLY	1	
17-25	A251510	MALE CONNECTOR 9/16 UNF	1	
17-26	W158006-07	MALE CONNECTOR 7/8 UNF	2	
17-27	A799612	HYDRAULIC HOSE ASSEMBLY	1	
17-28	W158007-05	90° MALE ELBOW 7/8 UNF	4	
17-29	008007150	WHEEL MOTOR MJ29	2	
17-30	A799127	HYDRAULIC HOSE ASSEMBLY	1	
17-31	W69056-01	BULKHEAD RUN TEE ORFS	1	
17-32	A799610	HYDRAULIC HOSE ASSEMBLY	1	
17-33	A799611	HYDRAULIC HOSE ASSEMBLY	1	
17-34	2692226-01	HYDRAULIC HOSE ASSEMBLY	1	
17-35	A259061	90° ELBOW WITH TEST PORT	1	
17-36	W158007-01	90° MALE ELBOW 11/16 ORFS	1	
17-37	A799628	HYDRAULIC HOSE ASSEMBLY	1	
17-38	W178079	TEST FITTING	1	
17-39	2208028	MANIFOLD - RETURN	1	
17-40	W69057-01	SWIVEL NUT BRANCH TEE 11/16	1	
17-41	W158006-11	MALE CONNECTOR 1 1/16 UNF	1	
17-42	A259077	90° SWIVEL NUT ELBOW 1 ORFS	1	
17-43	108092-11	HOSE - SAE 100 R3	1	
17-44	108094-01	HOSE CLAMP	1	
17-45	A244900	TEST PORT	1	
17-45	A249898	HEXAGON PLUG 1 1/16 SAE	1	
17-46	W158007-03	90° MALE ELBOW 7/8 UNF	1	

# JACOBSEN FAIRWAY 305 SERIES: CG

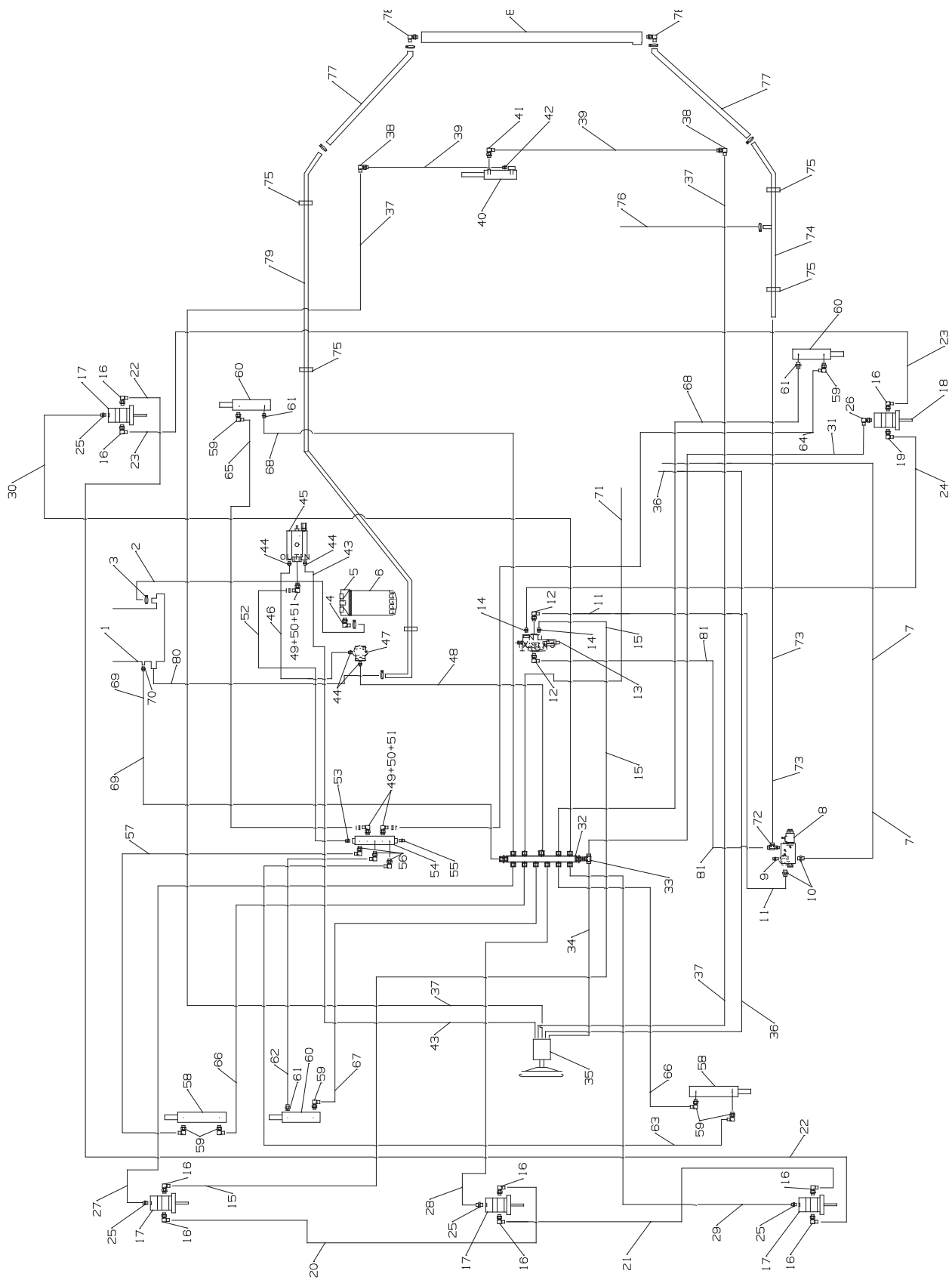
## HYDRAULIC TRACTION CIRCUIT



ITEM	PART NO.	DESCRIPTION	QTY.	REMARKS
17-47	2692222-01	HYDRAULIC HOSE ASSEMBLY	1	
17-48	W158006-03	MALE CONNECTOR 7/8 UNF	1	
17-49	2692215-18	HYDRAULIC HOSE ASSEMBLY	1	
17-50	A800594	TANDEM PUMP - FAIRWAY 305	1	
17-51	A249351	MALE CONNECTOR WITH TAIL	1	
17-52	A912172	SUCTION HOSE	1	

# JACOBSEN FAIRWAY 305 SERIES: CG

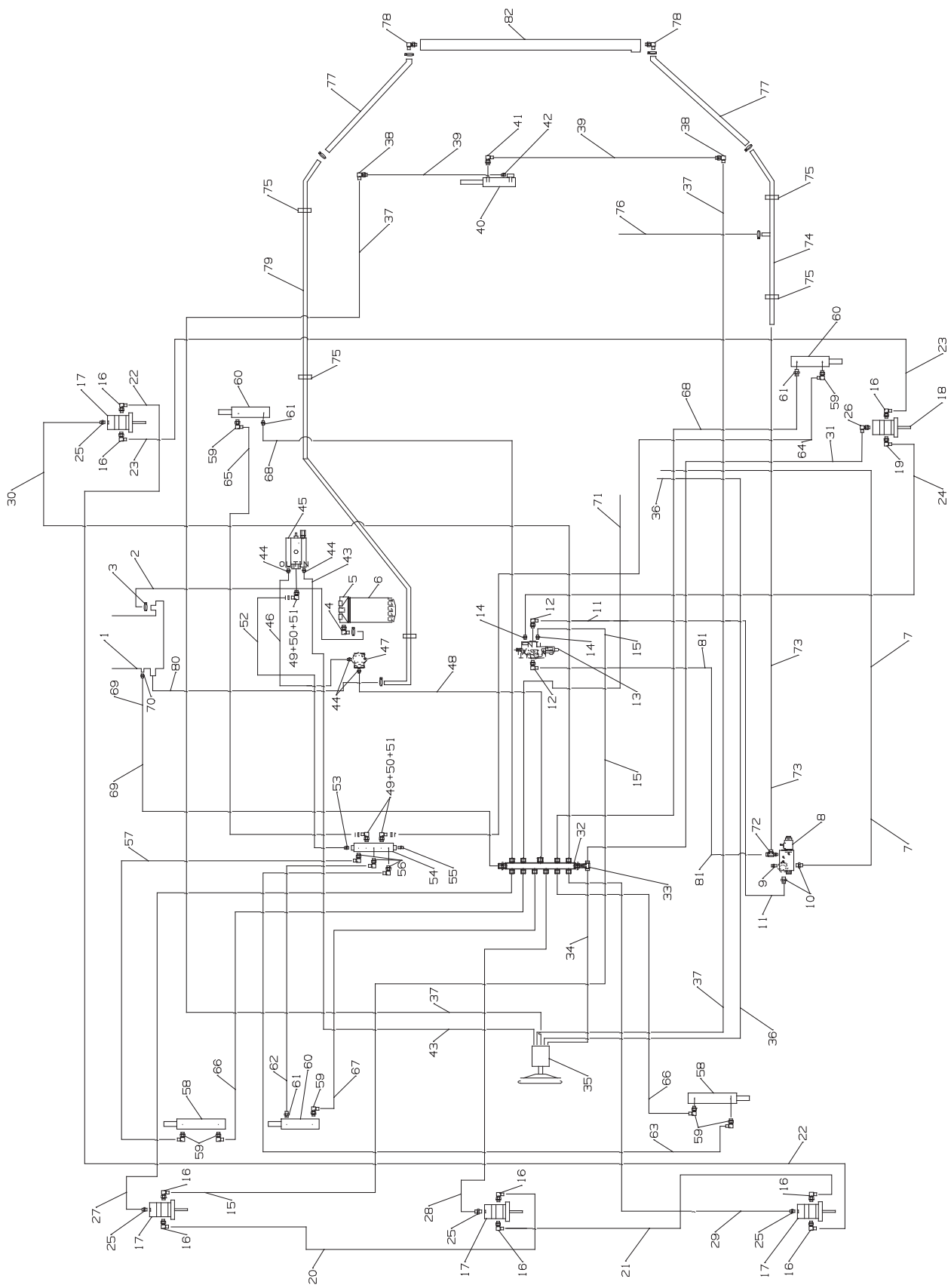
## HYDRAULIC CUTTINGS / STEERING / LIFT CIRCUIT



ITEM	PART NO.	DESCRIPTION	QTY.	REMARKS
18-1	2208031	HYDRAULIC TANK	1	
18-2	2692233-01	HOSE	1	
18-3	48396	HOSE CLAMP 2"	AR	
18-4	158058-08	90° MALE ELBOW	1	
18-5	2208038	FILTER HEAD	1	
18-6	W178025	FILTER CANISTER	1	
18-7	2692222-01	HOSE	1	
18-8	2208146	VALVE, REEL DRIVE	1	
18-9	A244905	TEST POINT	1	
18-10	W158006-05	MALE CONNECTOR 3/4 UNF	2	
18-11	2692219-02	HOSE	1	
18-12	W158007-03	90° MALE ELBOW 7/8 UNF	2	
18-13	2208047	VALVE, REEL DRIVE, FWD/REV	1	DANFOSS
18-13	4212460	VALVE, REEL DRIVE, FWD/REV	1	ROQUET
*	4192320	90 FTG M/M 1/2"BSP X 13/16" ORF	2	USE ON ROQUET VALVE
*	002590190	FTG-STR 1/2" BSP X 13/16" ORF	2	USE ON ROQUET VALVE
18-14	W158006-05	MALE CONNECTOR 3/4 UNF	2	
18-15	A799476	HYDRAULIC HOSE ASSEMBLY	1	
18-16	W158007-03	90° MALE ELBOW 7/8 UNF	9	
18-17	008006820	HYDRAULIC MOTOR	4	
*	A809615	• SEAL KIT	1	
18-18	008006810	HYDRAULIC MOTOR	1	
*	A809615	• SEAL KIT	1	
18-19	W158007-03	90° MALE ELBOW 7/8 UNF	1	
18-20	A799475	HYDRAULIC HOSE ASSEMBLY	1	
18-21	A799477	HYDRAULIC HOSE ASSEMBLY	1	
18-22	A799627	HYDRAULIC HOSE ASSEMBLY	1	
18-23	4120599	90 F-F - 11/16" UNF x 1160mm Lg	1	
18-24	4120600	90 F-F 13/16" UNF x 2130mm Lg	1	
18-25	W158006-01	MALE CONNECTOR 9/16 UNF	4	
18-26	W158007-01	90° MALE ELBOW 11/16 ORFS	1	
18-27	A799558	HYDRAULIC HOSE ASSEMBLY	1	
18-28	A799118	HYDRAULIC HOSE ASSEMBLY	1	
18-29	A799114	HYDRAULIC HOSE ASSEMBLY	1	
18-30	A799622	HYDRAULIC HOSE ASSEMBLY	1	
18-31	4254250	HOSE ASSY	1	
18-32	2208028	MANIFOLD, RETURN	1	
18-33	W69057-01	SWIVEL NUT BRANCH TEE 11/16	1	
18-34	2692214-13	HYDRAULIC HOSE ASSEMBLY	1	
18-35	2208142	STEERING UNIT	1	
18-36	2692215-18	HYDRAULIC HOSE ASSEMBLY	1	
18-37	A799620	HYDRAULIC HOSE ASSEMBLY	2	
18-38	W69055-01	90° BULKHEAD ELBOW 11/16	2	
18-39	2692217-03	HYDRAULIC HOSE ASSEMBLY	2	

# JACOBSEN FAIRWAY 305 SERIES: CG

## HYDRAULIC CUTTINGS / STEERING / LIFT CIRCUIT



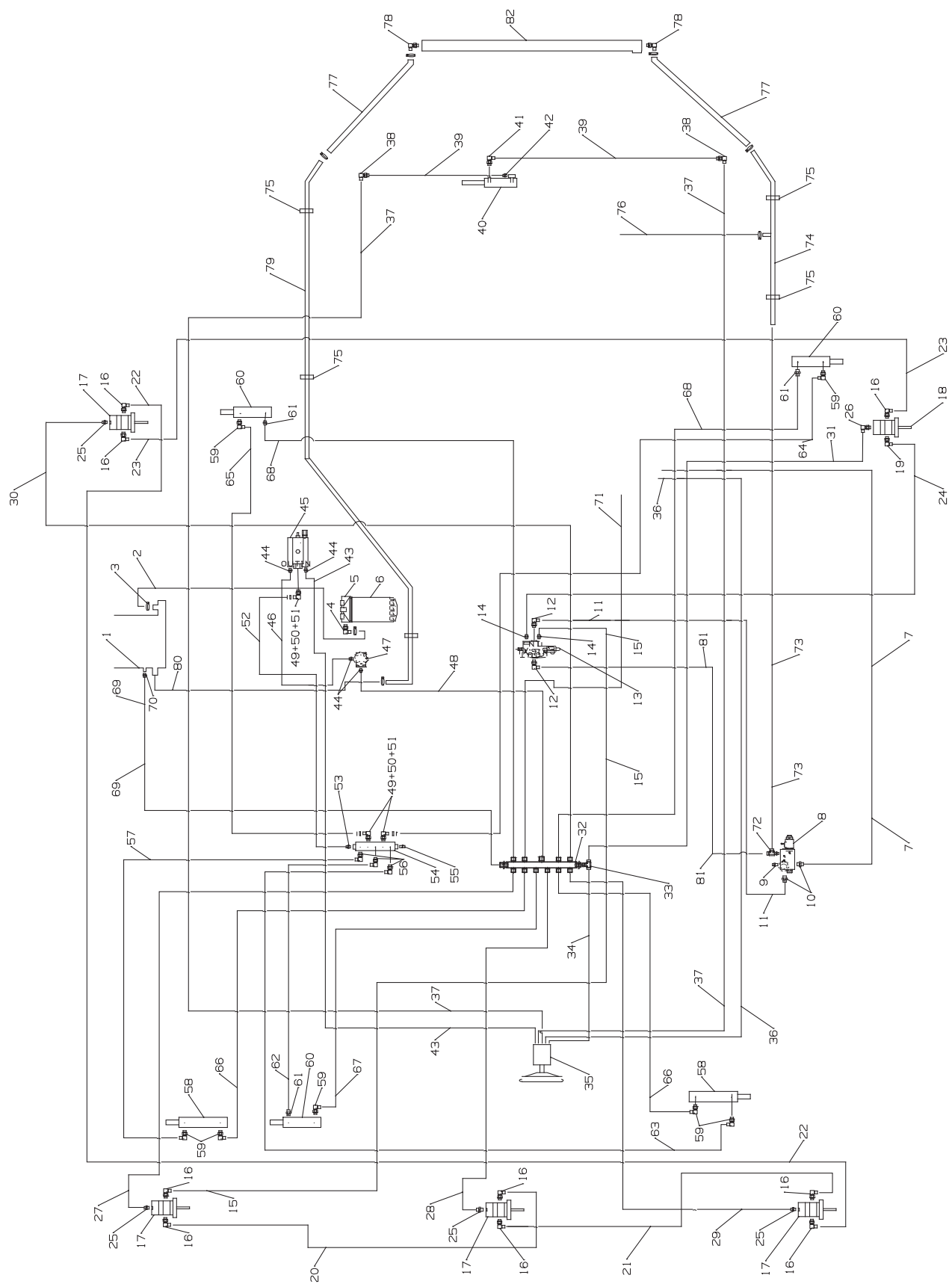


JACOBSEN FAIRWAY 305 SERIES: CG

ITEM	PART NO.	DESCRIPTION	QTY.	REMARKS
18-40	198040	STEERING RAM	1	To S/N CG200696
18-40	4244282	D/A HYD CYL, 20 x 203.2, STEERING	1	From S/N CG200697
18-41	W158007-01	90° MALE ELBOW 11/16 ORFS	1	
18-42	W158006-01	MALE CONNECTOR 9/16 UNF	1	
18-43	2692215-17	HYDRAULIC HOSE ASSEMBLY	1	
18-44	W158006-05	MALE CONNECTOR 3/4 UNF	2	
18-45	2208144	VALVE - LIFT (DANFOSS)	1	
18-45	4171203	VALVE - LIFT (EATON)	1	
18-46	2208068	TUBE LIFT VALVE	1	
18-47	2208046	VALVE, REEL SPEED	1	
18-48	2692219-01	HYDRAULIC HOSE ASSEMBLY	1	
18-49	W158007-01	90° MALE ELBOW 11/16 ORFS	3	
18-50	69068-01	ORIFICE 0.054	"2	
18-50	W69068-05	ORIFICE 0.089"	1	
18-51	W158061-01	O RING 0.364ID x 0.07 SECT	3	
18-52	2692216-01	HYDRAULIC HOSE ASSEMBLY	1	
18-53	W158006-01	MALE CONNECTOR 9/16 UNF	1	
18-54	2208051	MANIFOLD	1	
18-55	A244905	TEST POINT	1	
18-56	W158007-01	90° MALE ELBOW 11/16 ORFS	3	
18-57	A799115	HYDRAULIC HOSE ASSEMBLY	2	
18-58	2208151	LIFT RAM	2	To S/N CG200696
*	A230101	• SEAL KIT	1	
18-58	4244284	D/A HYD CYL, 20 x 203, LIFT	2	From S/N CG200697
18-59	W158007-01	90° MALE ELBOW 11/16 ORFS	6	
18-60	2208152	LIFT RAM	3	To S/N CG200696
*	A230101	• SEAL KIT	1	
18-60	4244285	D/A HYD CYL, 20 x 95, LIFT	3	From S/N CG200697
18-61	W15006-01	MALE CONNECTOR 9/16 UNF	3	
18-62	A799117	HYDRAULIC HOSE ASSEMBLY	1	
18-63	007991150	HYDRAULIC HOSE ASSEMBLY	1	
18-64	A799618	HYDRAULIC HOSE ASSEMBLY	1	
18-65	A799618	HYDRAULIC HOSE ASSEMBLY	1	
18-66	A799113	HYDRAULIC HOSE ASSEMBLY	2	
18-67	A799120	HYDRAULIC HOSE ASSEMBLY	1	
18-68	A799617	HYDRAULIC HOSE ASSEMBLY	2	
18-69	2692222-02	HYDRAULIC HOSE ASSEMBLY	1	
18-70	158065-03	FITTING ORS / NPTF	1	
18-71	A799628	HYDRAULIC HOSE ASSEMBLY	1	
18-72	W158056-01	MALE TEE 3/4 UNF 13/16 ORFS	1	
18-73	2692223-03	HYDRAULIC HOSE ASSEMBLY	1	
18-74	2208050	TUBE, OIL COOLER LH	1	
18-74	4211162	TUBE, OIL COOLER RH	1	Use with 4196940 (NEW COOLER)
*	4211260	HYDRAULIC HOSE	1	Link Hose between items 74 & 79

# JACOBSEN FAIRWAY 305 SERIES: CG

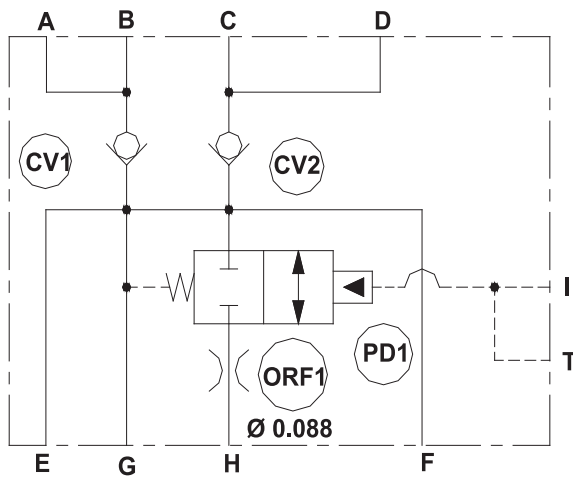
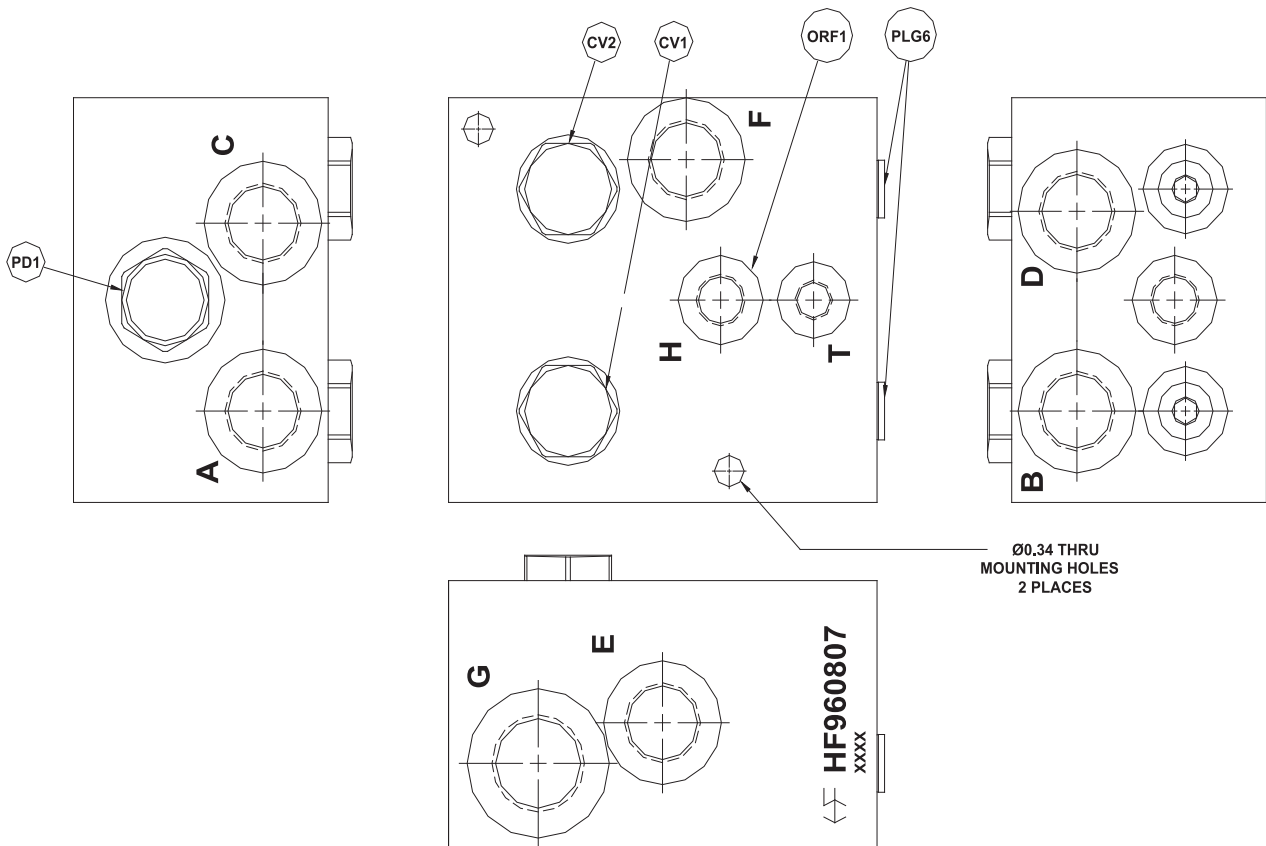
## HYDRAULIC CUTTINGS / STEERING / LIFT CIRCUIT



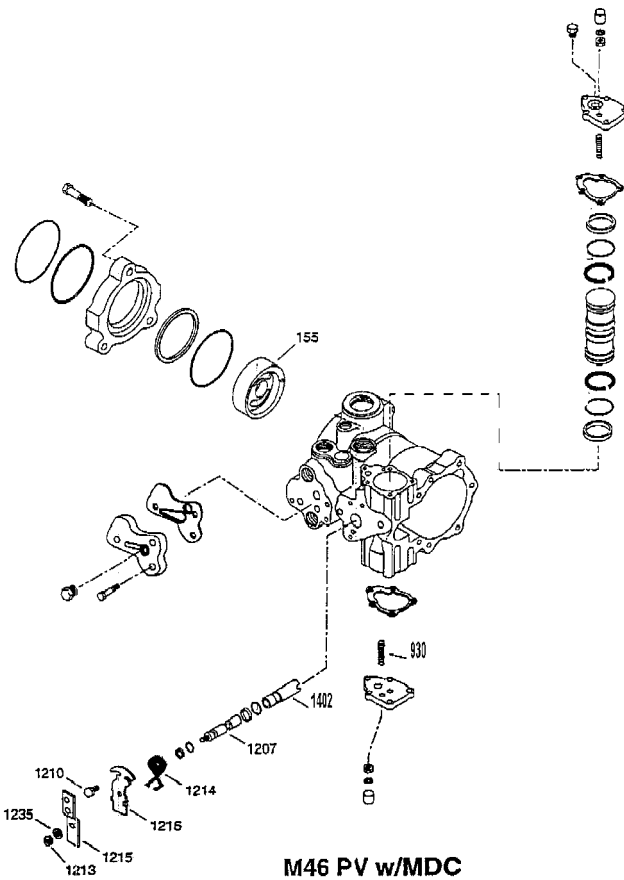
ITEM	PART NO.	DESCRIPTION	QTY.	REMARKS
*	002498480	FTG 13/16" ORF	1	Connects 4211260 to item 74
18-75	69059-05	CLAMP	AR	
18-76	108092-11	HOSE SAE 100 R3 2	"1	
18-77	4115387	HYDRAULIC HOSE ASSEMBLY	2	
18-78	4116484	90° MALE ELBOW WITH HOSET	2	
18-79	2203053	TUBE, OIL COOLER RH	1	
18-79	4211040	TUBE, OIL COOLER RH	1	Use with 4196940 (NEW COOLER)
18-80	69059-02	HOSE 100R3	1	
18-81	4238722	Hydraulic Hose	1	
18-82	006911620	OIL COOLER (SETRAB)	1	
18-82	4196940	OIL COOLER (THERMAL TRANSFER)	1	
18-*	48383	HOSE CLAMP 2 1/2"	6	
18-*	W158061-02	O-RING 0.489IDx0.07SECT	3	
18-*	158006-13	STR-CONNET UNF-ORFS	1	
18-*	158059-03	45 MALE UNF-ORFS 13/16-3/4	1	
18-*	001992040	12mm CLIP	1	

# JACOBSEN FAIRWAY 305 SERIES: CG

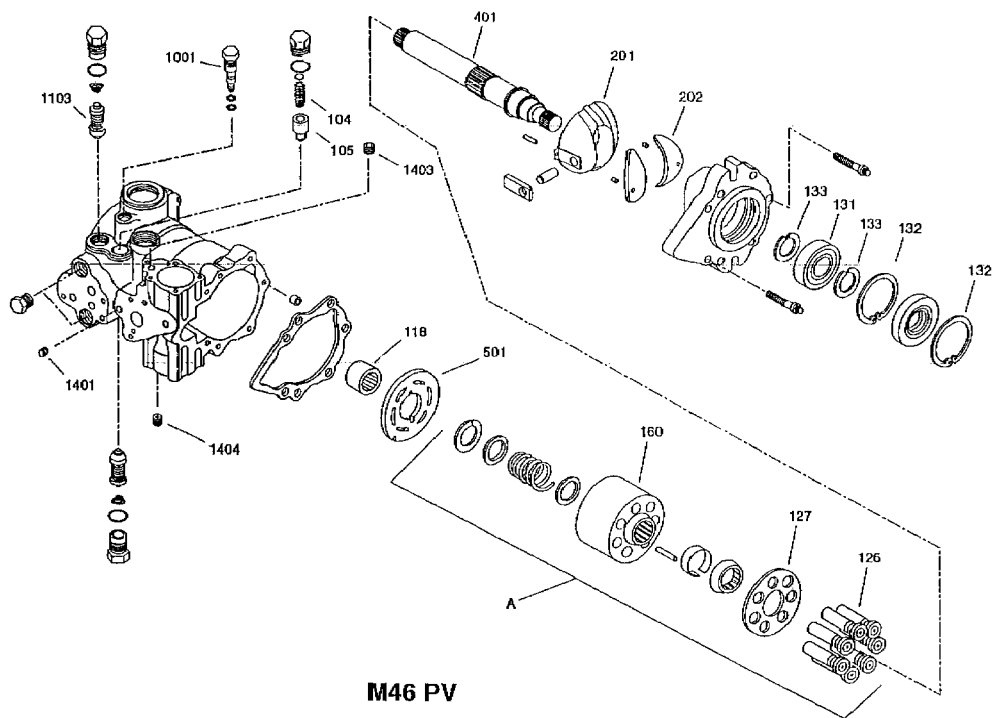
## VALVE 4 WHEEL DRIVE



ITEM	PART NO.	DESCRIPTION	QTY.	REMARKS
	2208191	VALVE 4 WHEEL DRIVE	1	
CV1	178102-78	• VALVE	1	
	178102-01	•• SEAL KIT	1	
CV2	178102-78	• VALVE	1	
	178102-01	•• SEAL KIT	1	
PD1	178102-53	• VALVE	1	
	178102-54	•• SEAL KIT	1	
PLG6	178102-61	• PLUG	2	
	178102-63	•• SEAL	1	
DRF1	178102-51	• ORIFICE PLUG	1	



**M46 PV w/MDC**

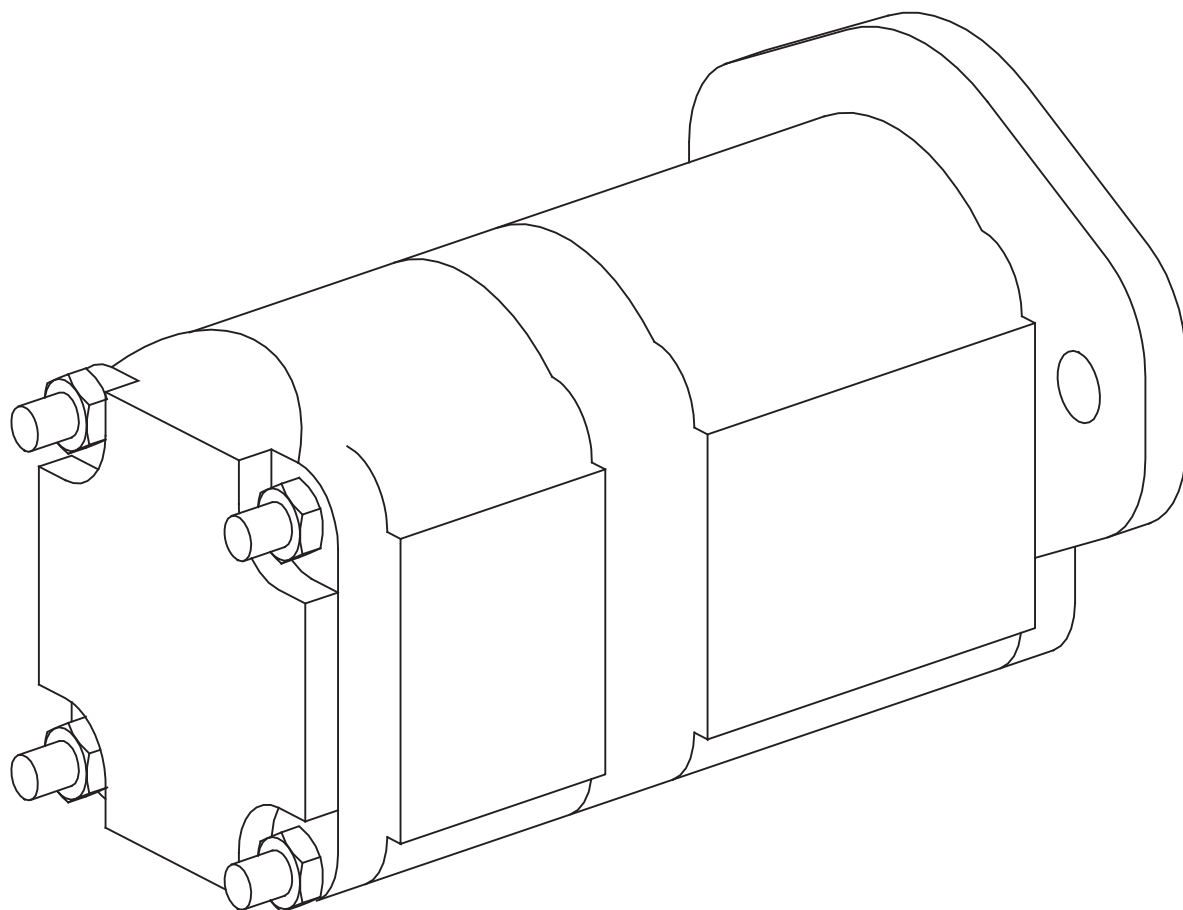


**M46 PV**

ITEM	PART NO.	DESCRIPTION	QTY.	REMARKS
	008006380	TRANSMISSION PUMP	1	
A	008008580	• CYLINDER BLOCK KIT	1	
104	008008590	• SPRING	1	
105	008008600	• POPPET	1	CHARGE RELIEF VALVE
118	008008610	• NEEDLE BEARING	1	CHARGE RELIEF VALVE
126	008008620	• PISTON	7	
127	008008630	• SLIPPER RETAINER	1	
131	008008640	• SHAFT BEARING	1	
132	008008650	• CIRCLIP	2	
133	008008660	• CIRCLIP	2	
155	008008670	• CHARGE PUMP HOUSING	1	
160	008008680	• CYLINDER BLOCK	1	
201	008008690	• SWASHPLATE	1	
202	008008700	• SWASHPLATE BEARING	2	
401	008008710	• DRIVE SHAFT	1	
501	008008720	• VALVE PLATE	1	
930	008008730	• ADJUSTER SCREW	1	
1001	008008740	• BY-PASS VALVE	1	
1103	008008890	• RELIEF VALVE CARTRIDGE	2	
1207	008008760	• ROTARY SPOOL	1	
1210	008008770	• ADJUSTER SCREW	1	
1213	008008780	• LOCKNUT	1	
1214	008008790	• RETURN SPRING	1	
1215	008008800	• CONTROL LEVER	1	
1216	008008810	• CAM PLATE	1	
1235	008008820	• LOCKWASHER	1	
1401	008008830	• ORIFICE	1	
1402	008008840	• SLEEVE	1	
1403	008008850	• ORIFICE	1	
1404	008008850	• ORIFICE	1	
*	008008860	• SEAL KIT	1	

TANDEM PUMP (ULTRA)

---

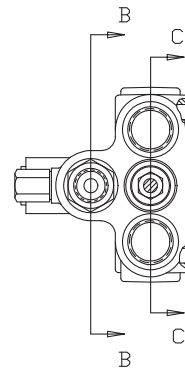
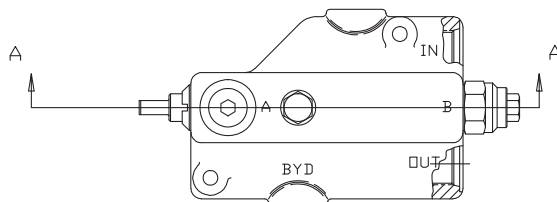
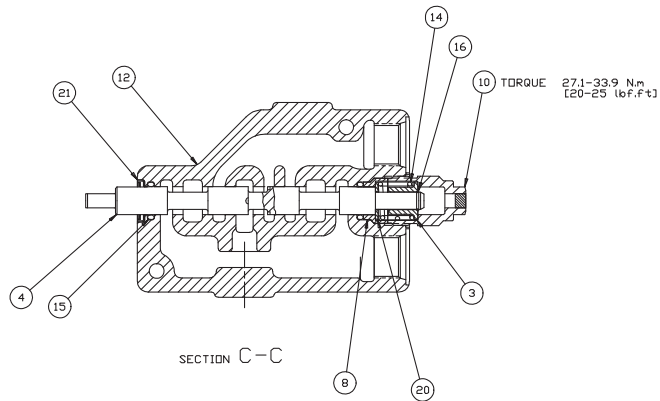
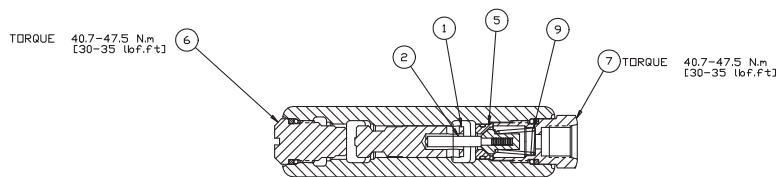
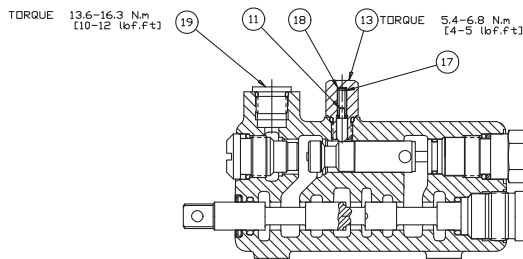
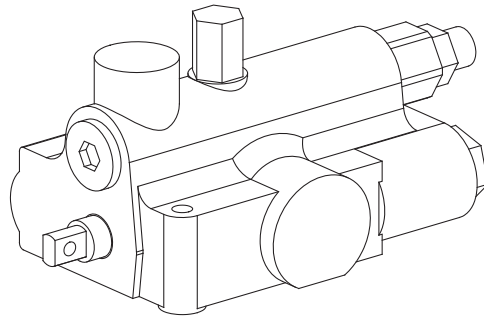




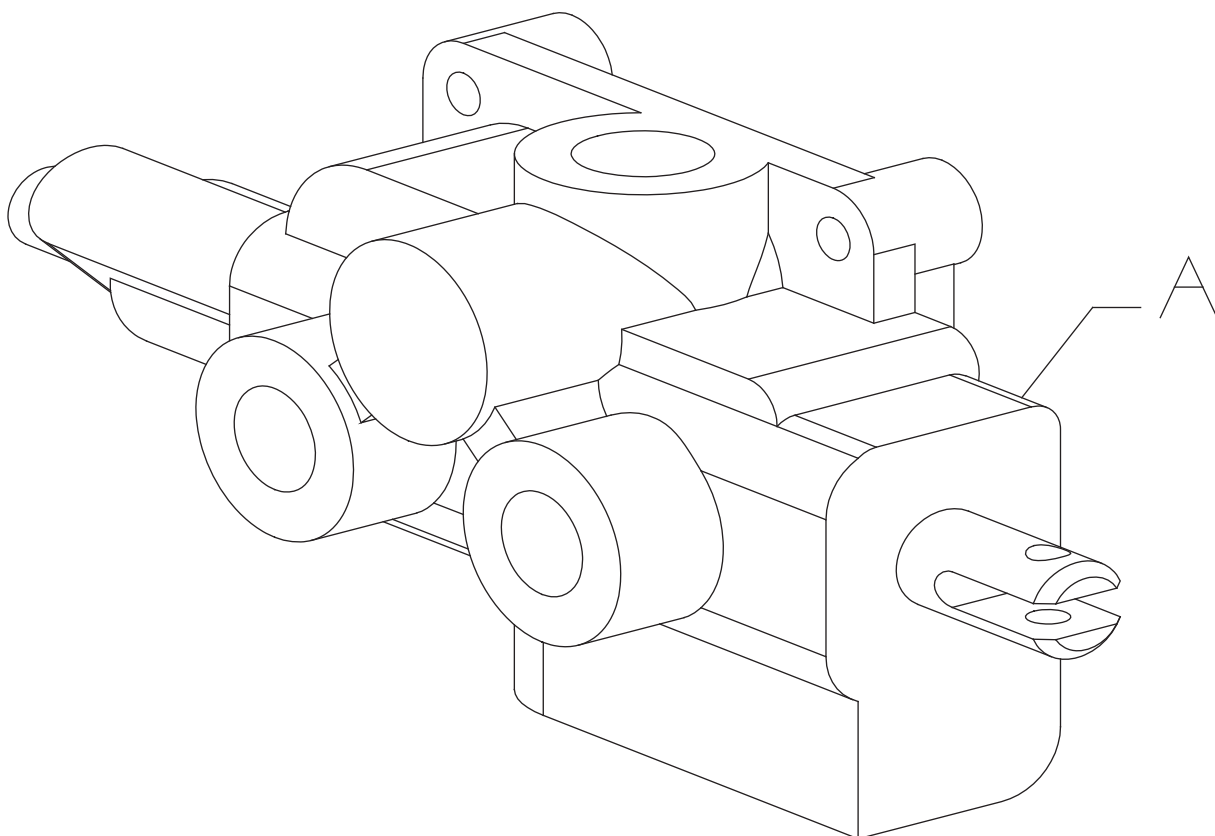
ITEM	PART NO.	DESCRIPTION	QTY.	REMARKS
	008005940	TANDEM PUMP	1	
*	002300650	LIFT AND STEER PUMP SEAL KIT	1 1	
*	002300640	CUTTER PUMP SEAL KIT	1	

# JACOBSEN FAIRWAY 305 SERIES: CG

## LIFT VALVE



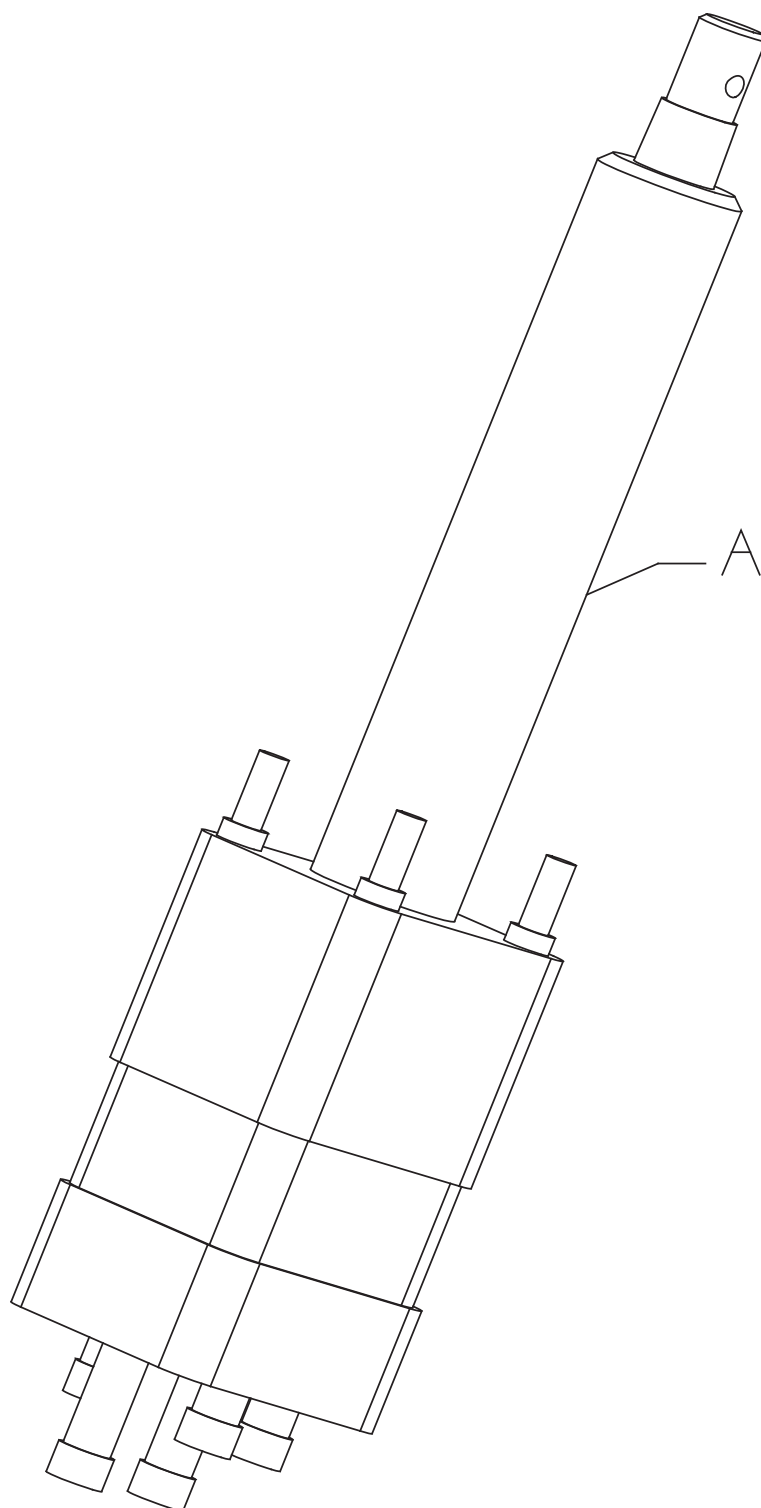
ITEM	PART NO.	DESCRIPTION	QTY.	REMARKS
1	4171203	Valve, Lift	1	
2		• Plunger	1	
3		• Poppet Assembly	1	
4	N/A	• Spacer	1	
5		• Spool	1	
6		• Seat Assembly	1	
7		• Plug Assembly	1	
8		• Plug Assembly	1	
9		• Bushing	1	
10		• Spring	1	
11		• Cap Assembly	1	
12	N/A	• Detent Plunger	1	
13		• Body	1	
14		• Plug Assembly	1	
15		• Spring	1	
16		• O Ring	2	
17		• Retaining Ring	1	
18		• Spring	1	
19		• Disc	AR	
20		• Plug Assembly	1	
21		• Washer	1	
		• Wiper Seal	1	
	4171203-01	Seal Kit	AR	



ITEM	PART NO.	DESCRIPTION	QTY.	REMARKS
A	2208047	CONTROL VALVE	1	
1	008011620	SEAL KIT	1	
*	008011820	HANDLE KIT	1	
		• 'S' HOOK	1	ALL THESE PARTS MUST BE ORDERED AS PART OF THE 008011820 HANDLE KIT
		• PIN	1	
		• SPLIT PIN	1	
		• HANDLE	1	

HYDRAULIC STEER GEAR

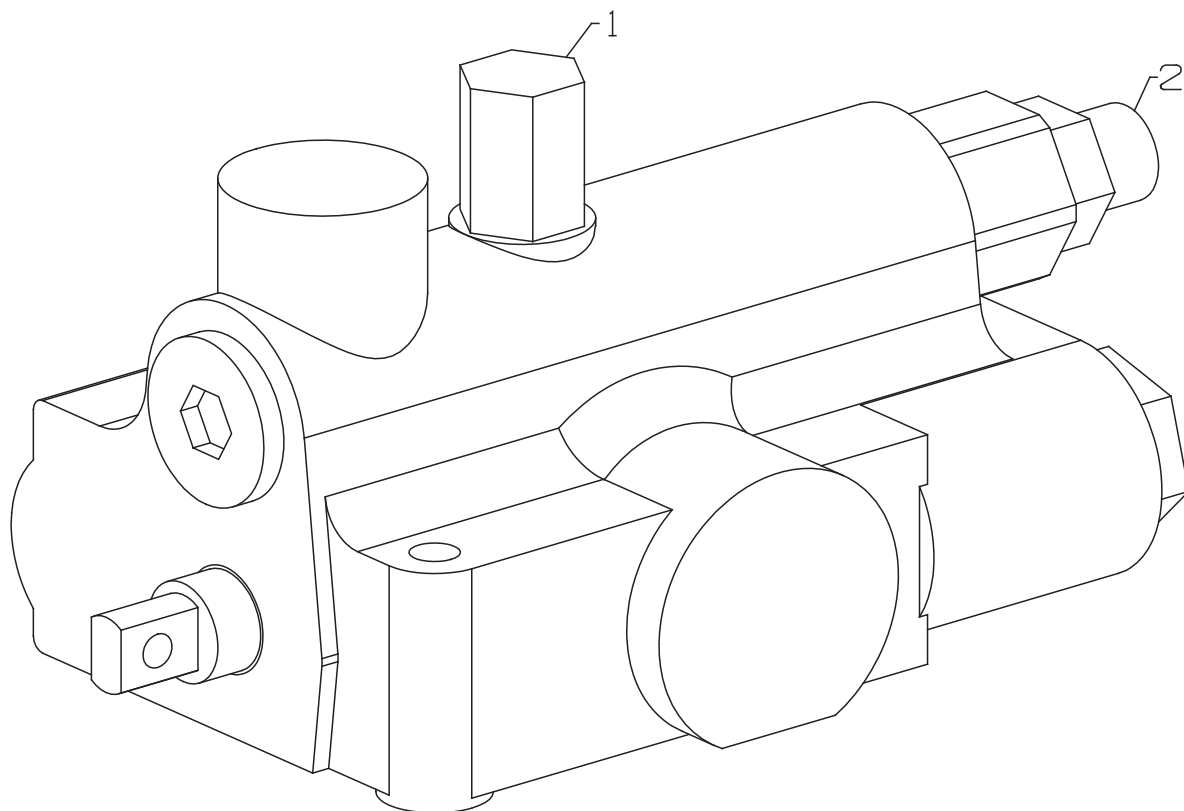
---



ITEM	PART NO.	DESCRIPTION	QTY.	REMARKS
A	2208142	HYDRAULIC STEER GEAR	1	
*	2208142-02	BEARING	1	
*	2208142-03	CAP		
*	2208142-01	SEAL KIT	1	
*	2208142-04	RELIEF VALVE	1	

LIFT VALVE

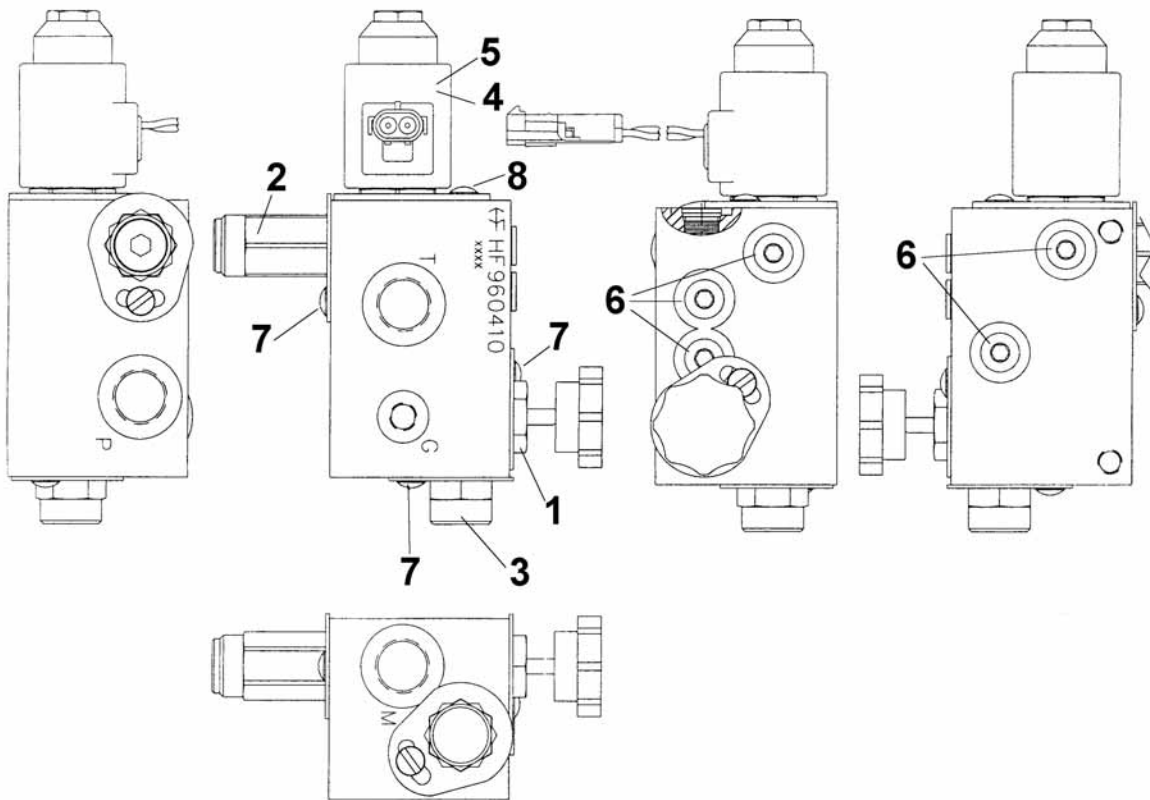
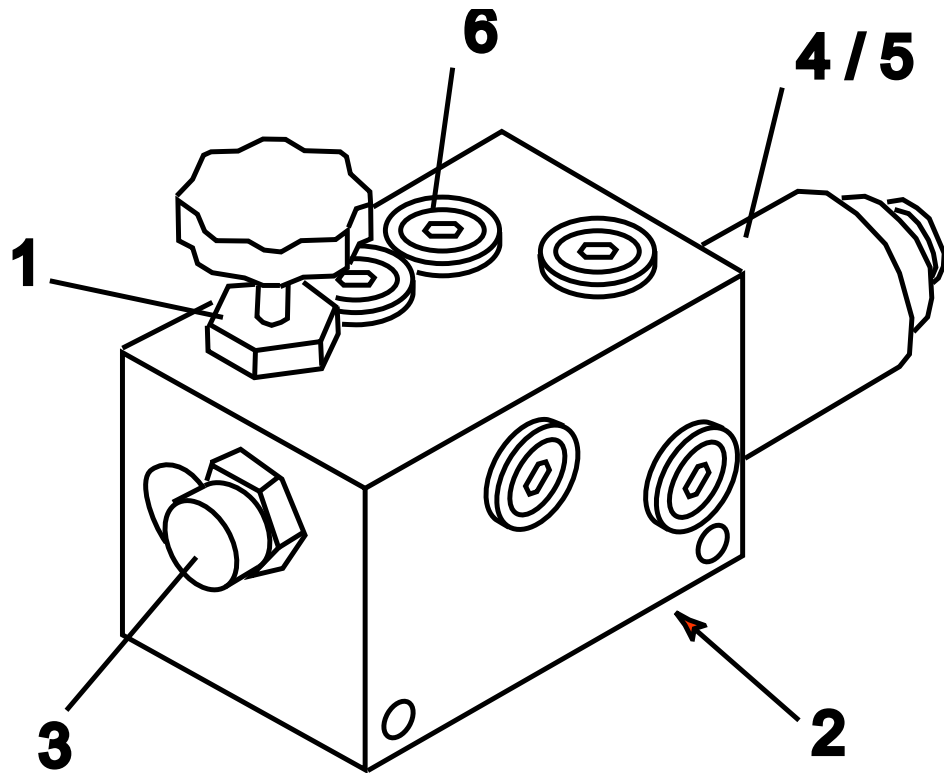
---





ITEM	PART NO.	DESCRIPTION	QTY.	REMARKS
1	2208144	VALVE LIFT	1	
1	148023-02	• DETENT ASSEMBLY	1	
2	148023-03	• RELIEF VALVE	1	
*	148023-01	• SEAL KIT	1	

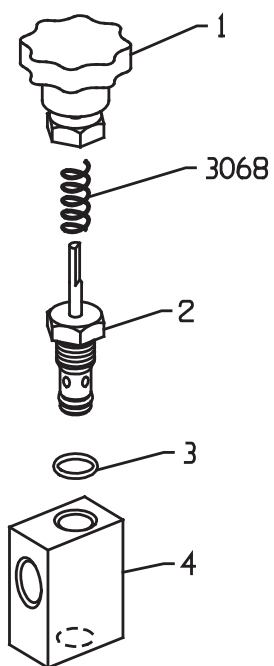
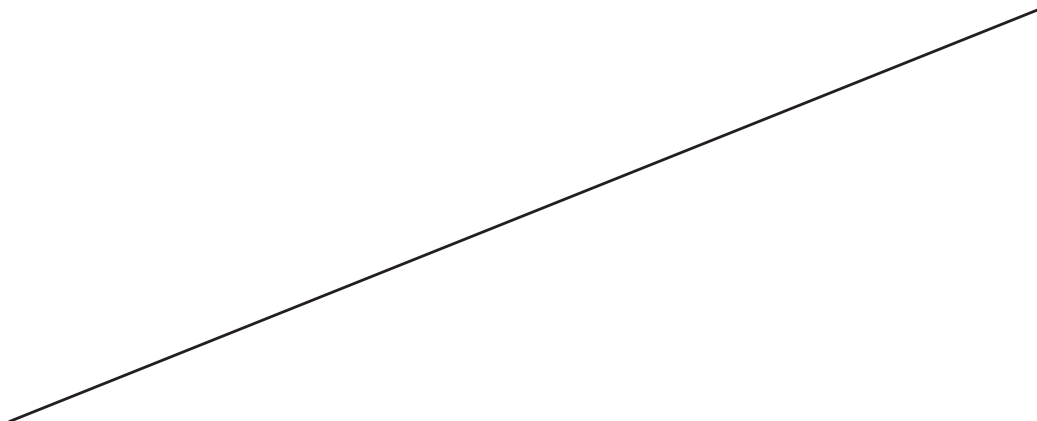
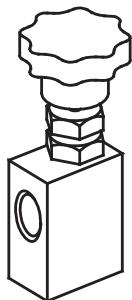
REEL DRIVE VALVE



ITEM	PART NO.	DESCRIPTION	QTY.	REMARKS
A	2208146	Reel Drive Valve	1	
1	178102-37	NV10-21E-0-N	1	
*	178102-08	SEAL KIT	1	
2	178102-12	RV10-22H-0-N-35/30	1	
*	1788102-05	SEAL KIT	1	
3	178102-30	EC10-30-0-N-80	1	
*	178102-40	SEAL KIT	1	
4	178102-39	COIL (6359412)	1	
5	178102-16	SV10-21W-0-N-00	1	
*	178102-01	SEAL KIT	1	
6	178102-18	SAE PLUG (6118006)	6	
*	178102-10	SEAL KIT	1	
7	178102-55	5399000	3	
8	178102-56	5960110	1	

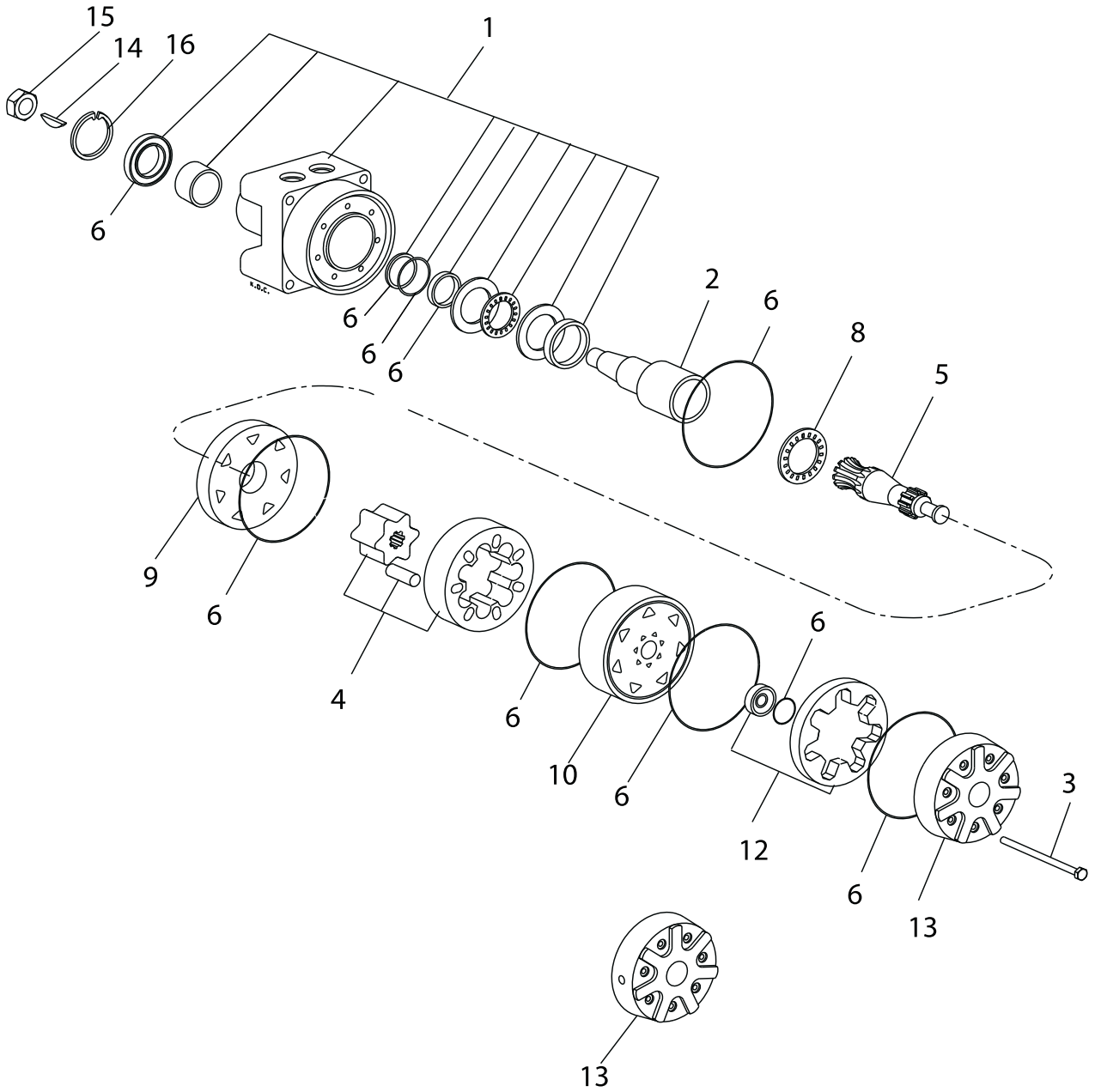
VALVE, REEL SPEED

---

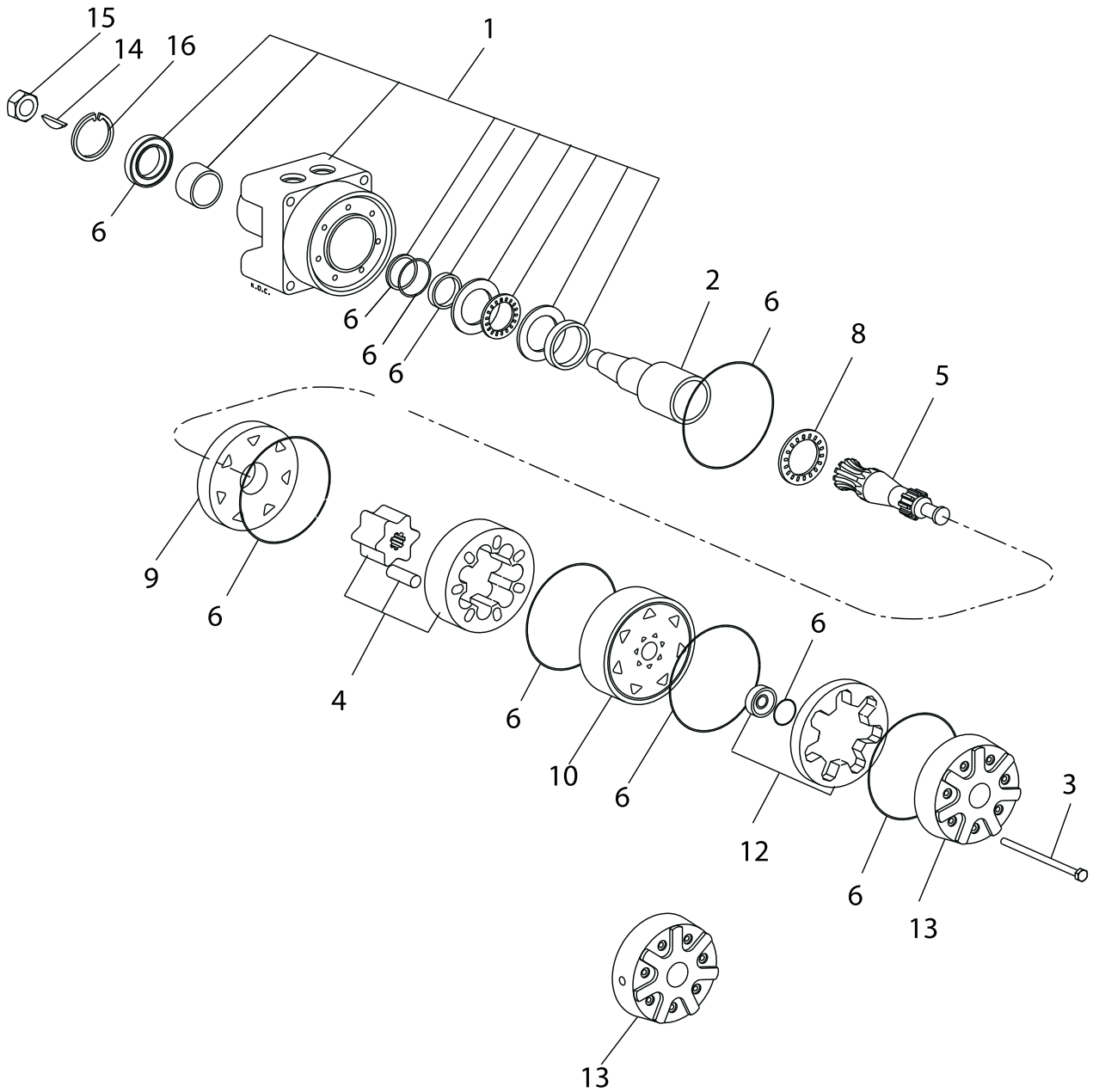


ITEM	PART NO.	DESCRIPTION	QTY.	REMARKS
	2208046	VALVE (HYDRAFORCE NV10-21E-8T-N NEEDLE VALVE)	1	
3068	2208085	SPRING-SS COMPRESSION	1	
1	N/A	KNOB	1	
2	N/A	CARTRIDGE	1	
3	N/A	O RING SEAL	1	
4	N/A	PORTED BODY	1	

HYDRAULIC TRACTION MOTOR FRONT



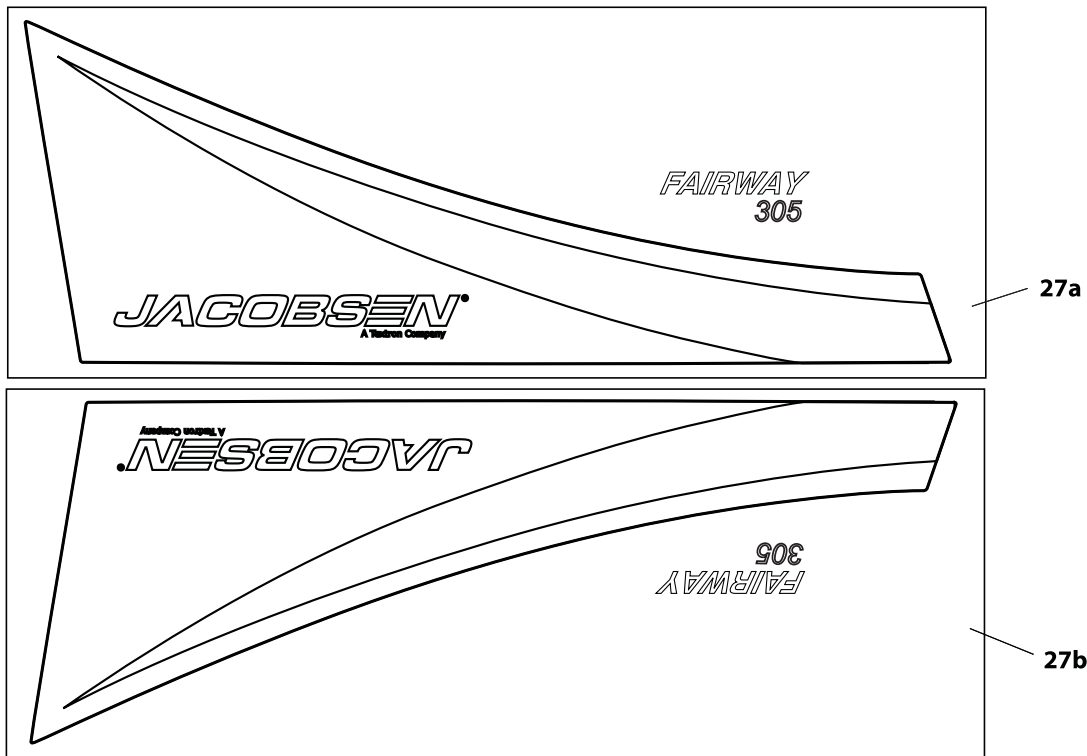
ITEM	PART NO.	DESCRIPTION	QTY.	REMARKS
		PARKER HANNIFIN TRW MJ29 SERIES WHEEL MOTOR		
1	008007150	FRONT WHEEL MOTOR MJ29	1	
2		• HOUSING ASSY	1	
3		• COUPLING SHAFT	1	
4		• BOLT	7	
5		• ROTOR SET	1	
8	002301080	• SEAL KIT	1	
9		• THRUST BEARING	1	
10	N/A	• WEAR PLATE	1	
11	N/A	• MANIFOLD	1	
13	N/A	• COMMUTATOR ASSY	1	
14	N/A	• END COVER ASSY	1	
15	008007460	• KEY	1	
16	008007470	• CASTLE NUT	1	Torque 290Nm
		• CIRCLIP	1	



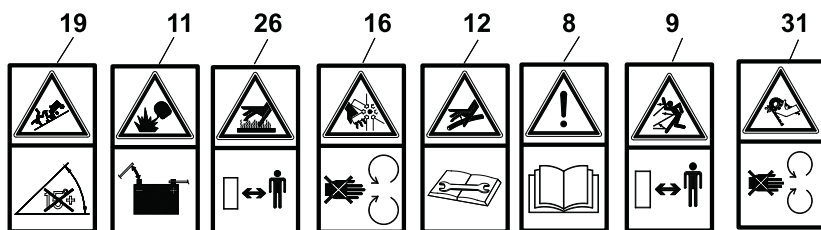
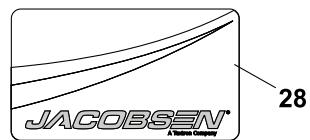
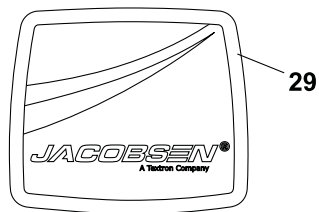
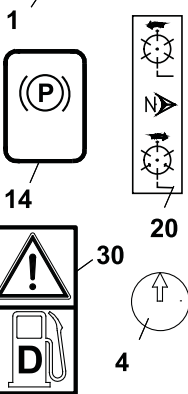
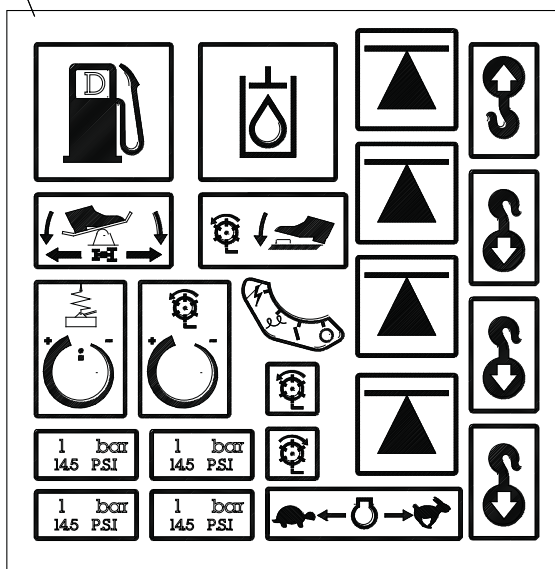


ITEM	PART NO.	DESCRIPTION	QTY.	REMARKS
		PARKER HANNIFIN TRW ME SERIES WHEEL MOTOR		
1	148141-07	REAR WHEEL MOTOR ME	1	
2	008000500	• HOUSING ASSY	1	
3		• COUPLING SHAFT	1	
4		• BOLT	7	
5		• ROTOR SET	1	
8	008000460	• SEAL KIT	1	
9		• THRUST BEARING	1	
10	N/A	• WEAR PLATE	1	
11	N/A	• MANIFOLD	1	
13	N/A	• COMMUTATOR ASSY	1	
14	N/A	• END COVER ASSY	1	
15	008006270	• KEY	1	
16	008006260	• CASTLE NUT	1	Torque 290Nm
		• CIRCLIP	1	

DECALS



10



ITEM	PART NO.	DESCRIPTION	QTY.	REMARKS
	IDL106	DECAL KIT FAIRWAY 305	1	
1	009034770	• DECAL - NOISE 105	1	
4	2000616	• DECAL, ADJUST KNOBS	1	
8	009034910	• DECAL - INSTRUCTION	1	
9	009094890	• DECAL - BYSTANDER	1	
10	009033420	• SET OF DECALS		1
11	009114100	• DECAL - BATTERY		1
12	009034930	• DECAL - HYD PRESS LEAK		3
14	009039700	• DECAL - PARKING BRAKE	1	
16	009034880	• DECAL - FAN	1	
19	009114160	• DECAL - SLOPE 15 DEG	1	
20	009039800	• DECAL - MOW DIRECTION	1	
26	009034920	• DECAL - HOT	2	
27a	4124460	• DECAL - JACOBSEN FAIRWAY 305	1	ENGINE COVER LH
27b	4124459	• DECAL - JACOBSEN FAIRWAY 305	1	ENGINE COVER RH
28	4124182	• DECAL - JACOBSEN	2	STEERING COLUMN
29	4124005	• DECAL - JACOBSEN	2	STEERING WHEEL CENTRE
30	009114340	• DECAL - CAUTION DIESEL FUEL	1	
31	009034900	• DECAL - ENGINE RUNNING	1	
32*	4146857	• DECAL-SEAT BELT ROPS	1	
33*	4153197	• DECAL-PRESSURE WASH	1	







Ransomes Jacobsen Limited  
West Road, Ransomes Europark, Ipswich,  
England, IP3 9TT  
English Company Registration No. 1070731  
[www.ransomesjacobsen.com](http://www.ransomesjacobsen.com)

Jacobsen, A Textron Company  
11108 Quality Drive, Charlotte,  
NC 28273, USA  
[www.Jacobsen.com](http://www.Jacobsen.com)