



Parts Manual

Fairway and T-Plex Cutting Units

Series:

AA - (JMAB336/479/431/482) T-Plex 185 Series ZX 26" 5K Floating Head Cutting Unit

AB - (JMAB429/480) T-Plex 185 Series ZX 26" 7K Floating Head Cutting Unit

AC - (JMAB430/481) T-Plex 185 Series ZX 26" 11K Floating Head Cutting Unit

AD - (JMAB306/387) T-Plex 185 Series ZY 30" 5K Fixed Head Cutting Unit

AE - (JMAB307/388/308/389) T-Plex 185 Series ZY 30" 7K Floating Head Cutting Unit

AF - (JMAB309/390/310/391) T-Plex 185 Series ZY 30" 11K Floating Head Cutting Unit

UR - (JMAB401) Fairway 250 Series DH & ZL 22" 7K Floating Head Cutting Unit

UR - (JMAB402) Fairway 250 Series DH & ZL 22" 11K Floating Head Cutting Unit

AJ - (JMAB347) Fairway 305 Series CG & ZR 26" 7K Floating Head Cutting Unit

AK - (JMAB348) Fairway 305 Series CG & ZR 26" 11K Floating Head Cutting Unit

AJ - (JMAB347) Fairway 405 Series CH & ZS 26" 7K Floating Head Cutting Unit

AK - (JMAB348) Fairway 405 Series CH & ZS 26" 11K Floating Head Cutting Unit

FC - (LMAC196) TR3 Series FG 26" 7K Floating Head Cutting Unit

FD - (LMAC194) TR3 Series FG 26" 5K Fixed Head Cutting Unit

FE - (LMAC195) TR3 Series FG 26" 5K Floating Head Cutting Unit

FF - (LMAC197) TR3 Series FG 26" 11K Floating Head Cutting Unit

WARNING

WARNING: If incorrectly used this machine can cause severe injury. Those who use and maintain this machine must be trained in its proper use, warned of its dangers and must read the entire manual before attempting to set up, operate, adjust or service the machine.



United
Kingdom

RJL 100 / August 2012

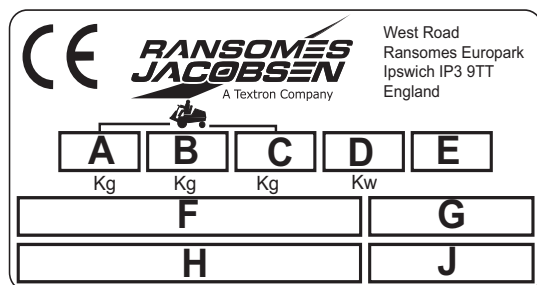
JACOBSEN FAIRWAY AND T-PLEX CUTTING UNIT

| DESCRIPTION | PARTS |
|---|-------|
| PRODUCT IDENTIFICATION..... | 2 |
| SPARES STOCKING GUIDE | 2 |
| SERVICE PARTS | 3 |
| HOW TO USE THE PARTS MANUAL..... | 4 |
| GUIDELINES FOR THE DISPOSAL OF SCRAP PRODUCTS..... | 5 |
| COMMON PARTS - MAIN FRAME & MOUNTING | 6 |
| COMMON PARTS - REAR ROLL - Fairway 250..... | 8 |
| COMMON PARTS - REAR ROLL - Fairway 305, 405, T-Plex 185 series ZX | 10 |
| COMMON PARTS - REAR ROLL - T-Plex 185 series ZY | 12 |
| COMMON PARTS - CYLINDER BEARING HOUSINGS | 14 |
| COMMON PARTS - BOTTOM BLOCK & CONCAVE | 18 |
| COMMON PARTS - CONCAVE | 22 |
| CUTTING CYLINDER & FRONT GROOVED ROLL (FLOATING HEAD) | |
| 26" UNIT Fairway 305, 405 & T-Plex 185 series ZX..... | 24 |
| CUTTING CYLINDER & FRONT GROOVED ROLL (FLOATING HEAD) | |
| 22" UNIT Fairway 250..... | 28 |
| CUTTING CYLINDER & FRONT GROOVED ROLL 30" Unit T-Plex 185 series ZY | 30 |
| CUTTING CYLINDER & SKIDS (FIXED HEAD) T-Plex 185 | 34 |
| CUTTING CYLINDER & FRONT PLAIN ROLL (FLOATING HEAD) | |
| Fairway 250, 305, 405 & T-Plex 185 series ZX | 36 |
| CUTTING CYLINDER & FRONT PLAIN ROLL (FLOATING HEAD) | |
| T-Plex 185 series ZY | 38 |
| DRIVE ASSEMBLY (ULTRA) | 42 |
| GRASSBOX AND FIXINGS, T-Plex 185 series ZX | 44 |
| GRASSBOX AND FIXINGS, Fairway 250, 305, 405 | 46 |
| CUTTING UNIT FIXINGS, TR3 LEFT & RIGHT HAND FRONT UNITS..... | 48 |
| CUTTING UNIT FIXINGS, TR3 CENTRE UNITS..... | 50 |
| GRASSBOX & FIXINGS, TR3 LEFT & RIGHT HAND FRONT UNITS (LMAC193) | 52 |
| GRASSBOX & FIXINGS, TR3 CENTRE UNIT (LMAC193)..... | 54 |
| TR3 CUTTING UNIT IDENTIFICATION | 56 |
| REAR ROLL BRUSH KIT FOR 22" & 26" RH DRIVE UNIT (LMAC183) (LMAC185)..... | 58 |
| REAR ROLL BRUSH KIT FOR 22" & 26" LH DRIVE UNIT (LMAC184) (LMAC186) | 62 |
| REAR ROLL BRUSH KIT FOR 22" & 26" RH DRIVE UNIT (from June 2008) | 66 |
| REAR ROLL BRUSH KIT FOR 22" & 26" LH DRIVE UNIT (from June 2008) | 70 |

JACOBSEN FAIRWAY AND T-PLEX CUTTING UNIT

INTRODUCTION

PRODUCT IDENTIFICATION



- A Maximum front axle load in Kg (for machines being driven on the highway)
- B Gross weight (mass) in Kg
- C Maximum rear axle load in Kg (for machines being driven on the highway)
- D Power in Kw
- E Date code
- F Machine type (Designation)
- G Product code
- H Product name
- J Serial number

SPARES STOCKING GUIDE

To keep your equipment fully operational and productive, Ransomes suggests you maintain a stock of the more commonly used maintenance items. We have included part numbers for the additional support materials and training aids.

| SERVICE SUPPORT MATERIAL | | | |
|--------------------------|--|-----------|--|
| Part No. | Description | Part No. | Description |
| 24350G-GB | Safety, Operation and Maintenance Manual - English | 24350G-FR | Safety, Operation and Maintenance Manual -French |
| 24350G-DE | Safety, Operation and Maintenance Manual - German | 24350G-IT | Safety, Operation and Maintenance Manual - Italian |
| 24350G-DK | Safety, Operation and Maintenance Manual - Danish | 24350G-NL | Safety, Operation and Maintenance Manual - Dytch |
| 24350G-ES | Safety, Operation and Maintenance Manual -Spanish | 24350G-SE | Safety, Operation and Maintenance Manual - Swedish |
| 24350G-FI | Safety, Operation and Maintenance Manual - Finnish | | |

JACOBSEN FAIRWAYAND T-PLEX CUTTING UNIT

| SERVICE PARTS | |
|---------------|---|
| Part No. | Description |
| LMAC085A | Roller-76 x 565 Plain (22") |
| LMAC079A | Roller-76 x 565 Grooved (22") |
| LMAC075A | Roller-76 x 665 Plain (26") |
| LMAC078A | Roller-76 x 665 Grooved (26") |
| LMAC084A | Roller-76 x 767 Plain (30") |
| JMSE119 | Roller-76 x 767 Grooved (30") |
| 4200160 | Service Kit - For Roller LMAC085A, LMAC079A, LMAC075A, LMAC078A, LMAC084A |
| LMAB534.07 | Bottom Block Assy (22") |
| MBA7116A | Bottom Blade (22") |
| LMAB533.07 | Bottom Block Assy (26") |
| MBA7103 | Bottom Blade (Standard) (26") |
| MBA7096A | Bottom Blade (Thin) (26") |
| LMAB535.07 | Bottom Block Assy (30") |
| MBA7109 | Bottom Blade (30") |
| 001190018 | Screw 5/16-18 x 1/2 For Bottom Blade |
| MBF0821B.07 | Cutting Cylinder 7K Tang Drive (22") |
| MBF0822B.07 | Cutting Cylinder 11K Tang Drive (22") |
| MBF0325B.07 | Cutting Cylinder 7K Tang Drive (26") |
| MBF0326B.07 | Cutting Cylinder 11K Tang Drive (26") |

HOW TO USE THE PARTS MANUAL

ITEM NUMBER

Each part which is identified in the illustrations has an item number. Parts which do not have an item number may not be readily identified in the illustration but are usually closely associated with the immediately adjacent part.

ASSEMBLIES

A complete assembly, e.g. a wheel motor or hydraulic motor or roll assembly, is listed as a complete item with subsequent individual components listed separately.

The assembly is listed under its part number with component parts being listed offset to the right, e.g:-

| ITEM | PART NO. | DESCRIPTION | QTY | REMARKS |
|--------|-----------|-----------------------------|-----|---------|
| 4295 | MBG2504 | Bracket | 1 | |
| 4296 | MBG3848 | Latch | 2 | |
| 4298 | 450865 | Screw, M8 X 20, Sckt Csk Hd | 2 | |
| 4300 | 450378 | Nut, M8 Nyloc | 2 | |
| 4301 | WI001 | Set Of Wheels | 1 | |
| 4301.1 | 008162130 | • Wheel & Hub Assy | 1 | (Rear) |
| 4301.2 | 008170390 | •• Tyre | 1 | |
| 4301.3 | 008161830 | •• Rim | 1 | |
| 4301.4 | 008169140 | •• Hub Assy. | 1 | |
| 4301.5 | 008169150 | •• Cap | 1 | |
| 4301.6 | 002993010 | •• Lubricator | 1 | |
| 4301.7 | 008161990 | • Wheel & Tyre | 2 | (Front) |
| 4301.8 | 008170780 | •• Tyre | 2 | |

It may not be possible to illustrate every item. With certain items purchased from outside suppliers some component parts may not be available from Ransomes and may need to be specially ordered from the supplier.

QUANTITIES

Quantities shown are for one assembly or sub-assembly.

USING THE PARTS LIST

Determine the function and application of the part required. Turn to the main index page and select the appropriate section. Locate the part on the illustration and parts list and read off the quantity from the appropriate MODEL column.

ORDERING OF SPARE PARTS

When ordering replacement parts, it is most important to quote the SERIAL NUMBER of the machine, PART NUMBER, DESCRIPTION and QUANTITY required.

Any arbitrary modifications carried out on this machine may relieve the manufacturer of liability for any resulting damage or injury.

ABBREVIATIONS

N/A Not Available

ARAs Required

GUIDELINES FOR THE DISPOSAL OF SCRAP PRODUCTS

DURING SERVICE LIFE

Used oil, oil filters and engine coolant are hazardous materials and should be handled in a safe and environmentally responsible way.

In the event of a fluid leak, contain the spill to prevent it entering the ground or drainage system. Local legislation will dictate how such spills are to be treated.

Following the maintenance procedures laid out in this manual will ensure that the impact the machine has on the local environment is controlled.

When it has been identified that a turf care product has no further functional value and requires disposal, the following actions should be taken.

END OF SERVICE LIFE

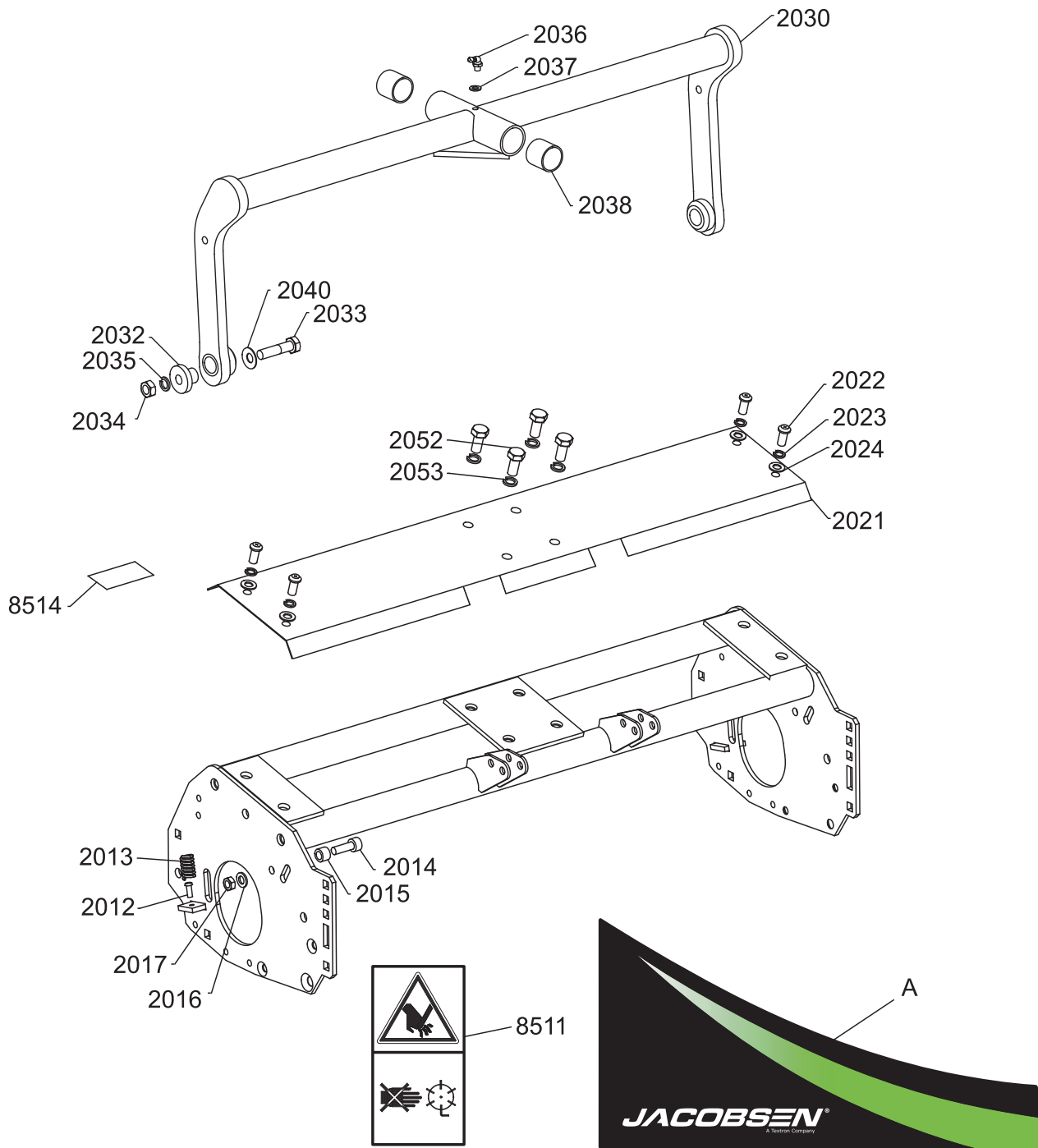
These guidelines should be used in conjunction with applicable Health, Safety and Environmental legislation and use of approved local facilities for waste disposal and recycling.

- Position the machine in a suitable location for any necessary lifting equipment to be used.
- Use appropriate tools and Personal Protective Equipment (PPE) and take guidance from the technical manuals applicable to the machine.
- Remove and store appropriately:
 1. Batteries
 2. Fuel residue
 3. Engine coolant
 4. Oils
- Disassemble the structure of the machine referring to the technical manuals where appropriate. Special attention should be made for dealing with 'stored energy' within pressurised elements of the machine or tensioned springs.
- Any items that still have a useful service life as second hand components or can be re-serviced should be separated and returned to the relevant centre.
- Other worn out items should be separated into material groups for recycling and disposal consistent with available facilities. More common separation types are as follows:
 - Steel
 - Non ferrous metals
 - Aluminium
 - Brass
 - Copper
 - Plastics
 - Identifiable
 - Recyclable
 - Non recyclable
 - Not identified
 - Rubber
 - Electrical & Electronic Components
- Items that cannot be separated economically into different material groups should be added to the 'General waste' area.
- Do not incinerate waste.

Finally update machinery records to indicate that the machine has been taken out of service and scrapped. Provide this serial number to Ranmsomes Jacobsen Warranty department to close off relevant records.

JACOBSEN FAIRWAY AND T-PLEX CUTTING UNIT

COMMON PARTS - MAIN FRAME & MOUNTING



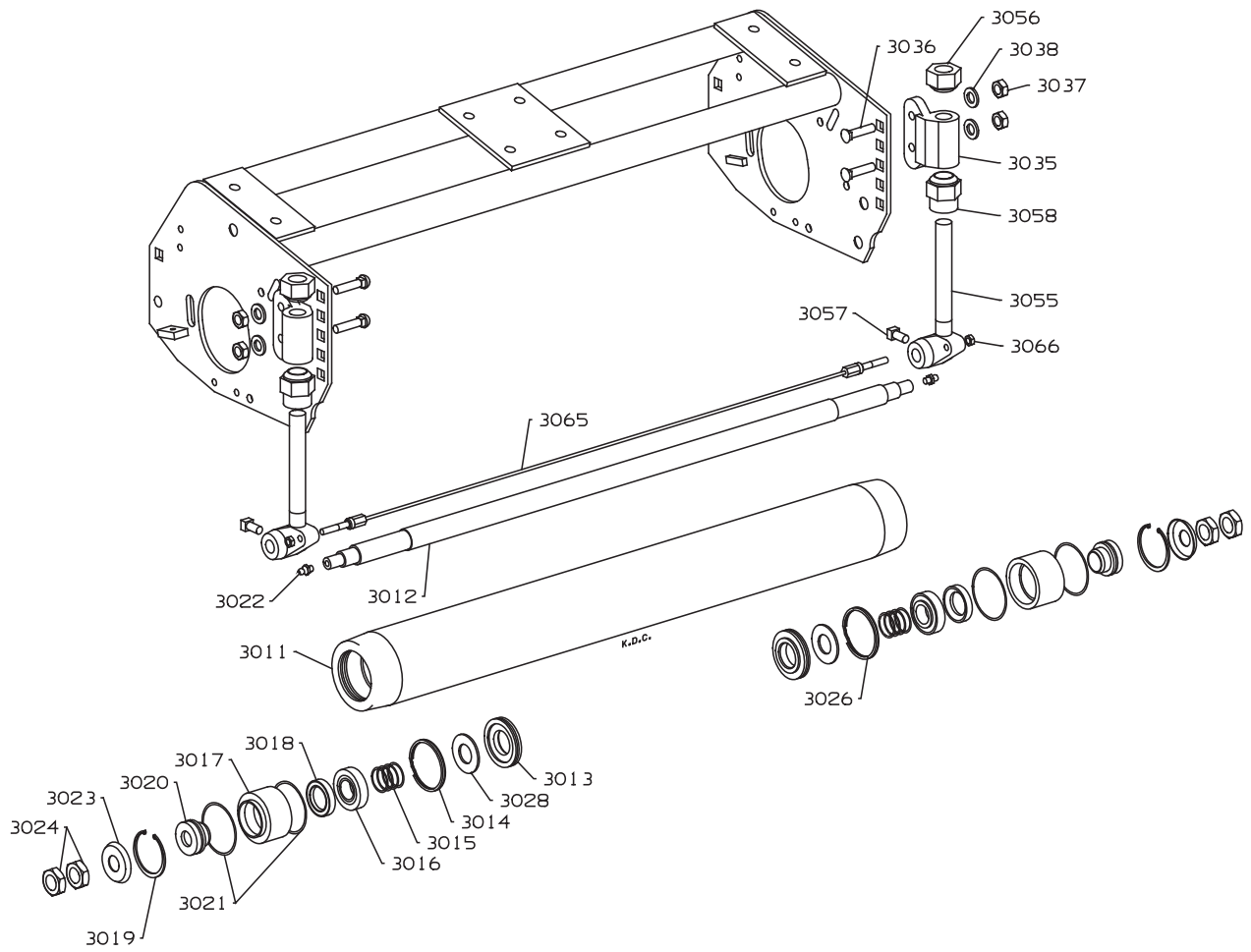
JACOBSEN FAIRWAY AND T-PLEX CUTTING UNIT

| ITEM | PART NO. | DESCRIPTION | QTY. | REMARKS |
|-------|-------------|---------------------------------|------|--|
| 2011 | MBF1368.06 | Main Frame | 1 | (Fairway 305, 405, T-Plex 185 series ZX) |
| 2011 | MBF1333.06 | Main Frame | 1 | (T-Plex 185 series ZY & TR3) |
| 2011 | MBF1369.06 | Main Frame | 1 | (Fairway 250) |
| 2012 | 001280538 | Screw No.12 x 13 | 2 | |
| 2013 | 461003665 | Spring | 2 | |
| 2014 | 450724 | Screw M8 x 25 | 2 | |
| 2015 | AF09010 | Spacer | 2 | |
| 2016 | 450390 | Washer 8mm | 2 | |
| 2017 | 450378 | Stiffnut M8 | 2 | |
| 2018* | MBF0715 | Stop Bar | 1 | (Fairway 250) |
| 2019* | 001399171 | Star Ring, 8mm | 2 | (Fairway 250) |
| 2021 | MBG1508.06 | Top Cover | 1 | (T-Plex 185 series ZX & TR3) ** |
| 2021 | MBG1209.06 | Top Cover | 1 | (T-Plex 185 series ZY) |
| 2021 | MBG2043.06 | Top Cover | 1 | (Fairway 250) |
| 2022 | 001191307 | Screw M6 x 16 | 4 | (Fairway 250) |
| 2022 | 001102047 | Screw M6 x 20 | 4 | (T-Plex 185 & Fairway 305, 405) |
| 2023 | 450410 | S.L.Washer 6mm | 4 | |
| 2024 | 450389 | Washer 6mm | 4 | |
| 2030 | MBF2182.07 | Yoke | 1 | (T-Plex 185 series ZX)) |
| 2030 | 2206042B.07 | Yoke | 1 | (Fairway 305, 405) |
| 2030 | MBF0501B.07 | Yoke | 1 | (T-Plex 185 series ZY) |
| 2030 | 2206004B.07 | Yoke | 1 | (Fairway 250) |
| 2031* | 593000232 | Bush | 2 | (Fairway 250) |
| 2032 | MBE3302 | Pivot Bush | 2 | (T-Plex 185) |
| 2032 | 2203001 | Pivot Bush | 2 | (Fairway 250, 305, 405) |
| 2033 | 001004136 | Bolt M10 x 65 | 2 | (T-Plex 185) |
| 2033 | 450034 | Bolt M10 x 60 | 2 | (Fairway 250, 305, 405) |
| 2034 | 450379 | Stiffnut M10 | 2 | |
| 2035 | 450391 | S.L.Washer 10mm | 2 | |
| 2036 | 002993160 | Lubricator 45° | 1 | |
| 2037 | 450389 | Washer 6mm | 1 | |
| 2038 | 593000232 | Bush | 2 | |
| 2040 | 002920836 | Disc Spring | 2 | |
| 2051 | MBE1941A.06 | Top Plate | 1 | (Fairway 250, 305, 405) |
| 2052 | 450214 | Screw M10 x 25 | 4 | |
| 2053 | 450412 | S.L.Washer 10mm | 4 | |
| 8511 | 009034940 | Label - Caution Rotating Blades | 1 | |
| 8514 | MBE3628 | Name Plate | 1 | (Used on T-Plex only) |
| 8515* | 001496052 | Rivet 1/8 x 5/16 | 2 | (Used on T-Plex only) |
| A | | Decal - Jacobsen | 1 | |
| ** | MBG1508.06 | Hinged Concave | | Also fits F/W 205 & 405 |

* Not Illustrated

JACOBSEN FAIRWAY AND T-PLEX CUTTING UNIT

COMMON PARTS - REAR ROLL - Fairway 250

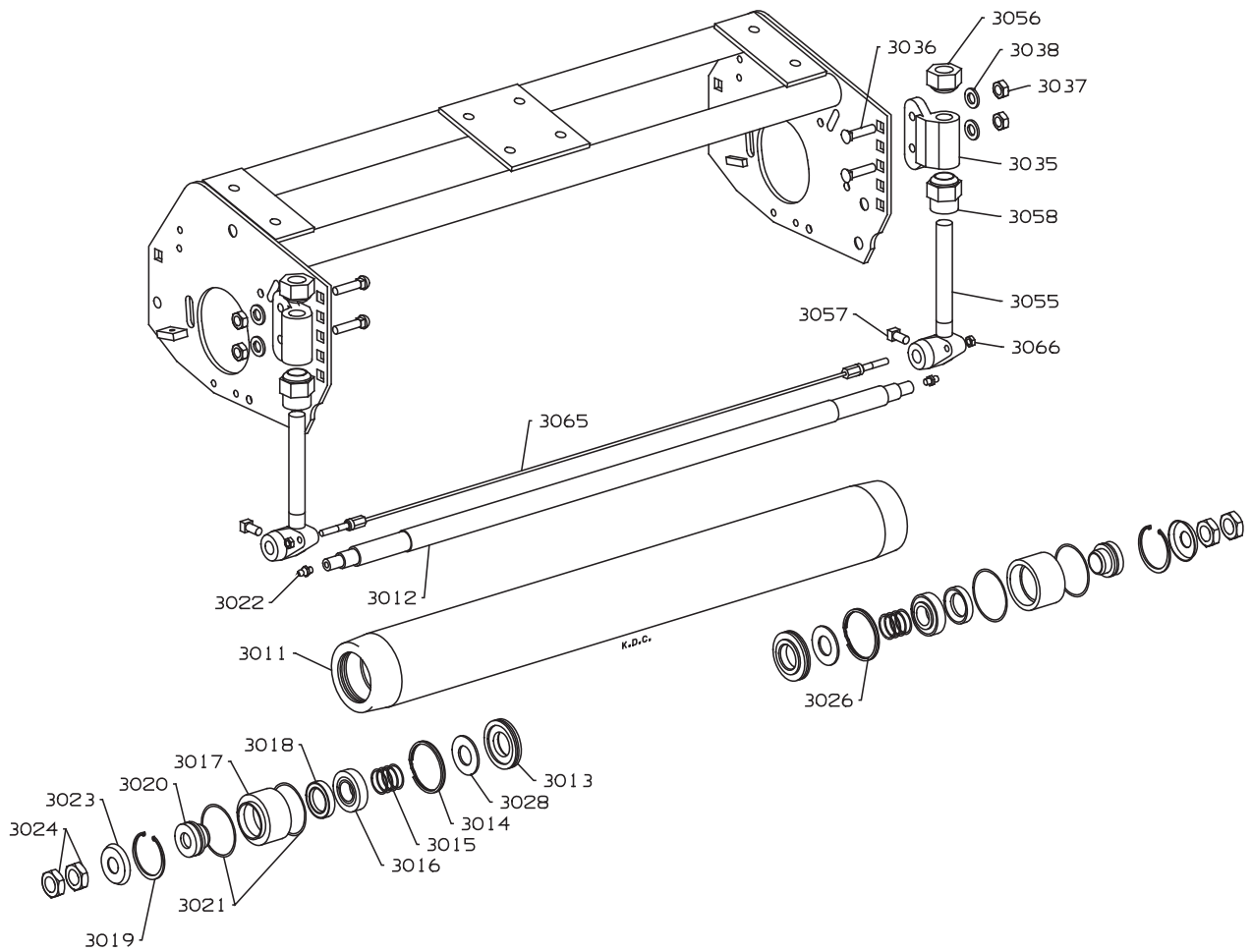


JACOBSEN FAIRWAY AND T-PLEX CUTTING UNIT

| ITEM | PART NO. | DESCRIPTION | QTY. | REMARKS |
|-------------|-----------------|------------------------|-------------|------------------------------|
| | LMAC085A | Roller-76 x 565 Plain | 1 | From April 2010 |
| | 4200160 | • Service Kit-Rollers | 1 | |
| | LMAC085 | Plain Roll Assembly | 1 | Use LMAC085A from April 2010 |
| 3011 | MBF0818 | • Roller Tube | 1 | |
| 3012 | MBG2045 | • Spindle | 1 | |
| 3013 | MBF0001 | • Ring Carrier | 2 | |
| 3014 | 002300130 | • Seal Ring | 1 | |
| 3015 | 002911150 | • Compression Spring | 2 | |
| 3016 | 002059297 | • Taper Roller Bearing | 2 | |
| 3017 | MBE2429 | • Bearing Housing | 2 | |
| 3018 | 002202540 | • Rotary Lip Seal | 2 | |
| 3019 | 451982 | • Circlip | 2 | |
| 3020 | MBE2430 | • Seal Journal | 2 | 002300210 Seal Ring |
| 3021 | 002211370 | • O Ring | 4 | |
| 3022 | 002993013 | • Lubricator | 2 | |
| 3023 | MBE2431B | • Shield | 2 | |
| 3024 | 450334 | • Thin Nut M16 | 4 | |
| 3026 | 002300210 | • Seal Ring | 1 | |
| 3028 | MBF0002 | • Washer | 2 | |
| 3035 | MBE3986 | Housing - Rear | 2 | |
| 3036 | 452565 | Bolt M8 x 30 | 4 | |
| 3037 | 450378 | Stiffnut M8 | 4 | |
| 3038 | 450390 | Washer 8mm | 4 | |
| 3055 | MBE3982A | Carriage - Rear | 2 | |
| 3056 | MBE4001 | Carriage Nut ** | 2 | |
| 3057 | 452464 | Screw M8 x 16 | 2 | |
| 3058 | MBE4017 | Carriage Nut | 2 | |
| 3065* | 009067420 | Scraper Cable | 1 | |
| 3066* | 450323 | Nut M6 | 2 | |
| ** | 450334 | Nut M16 Thin | | |

JACOBSEN FAIRWAY AND T-PLEX CUTTING UNIT

COMMON PARTS - REAR ROLL - Fairway 305, 405, T-Plex 185 series ZX

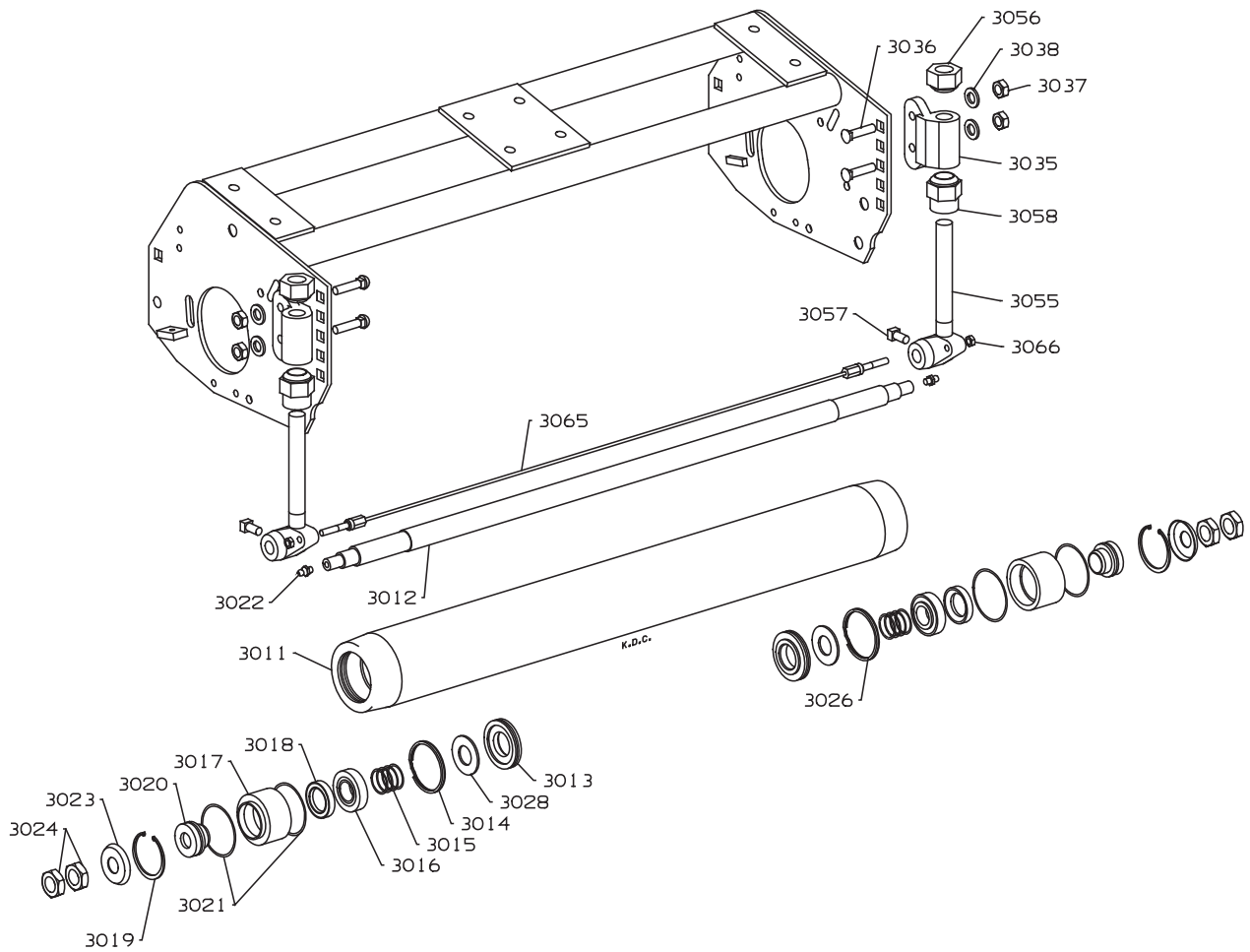


JACOBSEN FAIRWAY AND T-PLEX CUTTING UNIT

| ITEM | PART NO. | DESCRIPTION | QTY. | REMARKS |
|-------|-----------|-------------------------|------|------------------------------|
| | LMAC075A | Roller-76 x 665 Plain | 1 | From April 2010 |
| | 4200160 | • Service Kit-Rollers | 1 | |
| | LMAC075 | Plain Roll Assembly 26" | 1 | Use LMAC075A from April 2010 |
| 3011 | MBE1761D | • Roller Tube | 1 | |
| 3012 | MBE1752C | • Spindle | 1 | |
| 3013 | MBF0001 | • Ring Carrier | 2 | |
| 3014 | 002300130 | • Seal Ring | 1 | |
| 3015 | 002911150 | • Compression Spring | 2 | |
| 3016 | 002059297 | • Taper Roller Bearing | 2 | |
| 3017 | MBE2429 | • Bearing Housing | 2 | |
| 3018 | 002202540 | • Rotary Lip Seal | 2 | |
| 3019 | 451982 | • Circlip | 2 | |
| 3020 | MBE2430 | • Seal Journal | 2 | 002300210 Seal Ring |
| 3021 | 002211370 | • O Ring | 4 | |
| 3022 | 002993013 | • Lubricator | 2 | |
| 3023 | MBE2431B | • Shield | 2 | |
| 3024 | 450334 | • Thin Nut M16 | 4 | |
| 3026 | 002300210 | • Seal Ring | 1 | |
| 3028 | MBF0002 | • Washer | 2 | |
| 3035 | MBE3986 | Housing - Rear | 2 | |
| 3036 | 452565 | Bolt M8 x 30 | 4 | |
| 3037 | 450378 | Stiffnut M8 | 4 | |
| 3038 | 450390 | Washer 8mm | 4 | |
| 3055 | MBE3982A | Carriage - Rear | 2 | |
| 3056 | MBE4001 | Carriage Nut | 2 | |
| 3057 | 452464 | Screw M8 x 16 | 2 | |
| 3058 | MBE4017 | Carriage Nut | 2 | |
| 3065* | A906704 | Scraper Cable | 1 | |
| 3066* | 450323 | Nut M6 | 2 | |

JACOBSEN FAIRWAY AND T-PLEX CUTTING UNIT

COMMON PARTS - REAR ROLL - T-Plex 185 series ZY

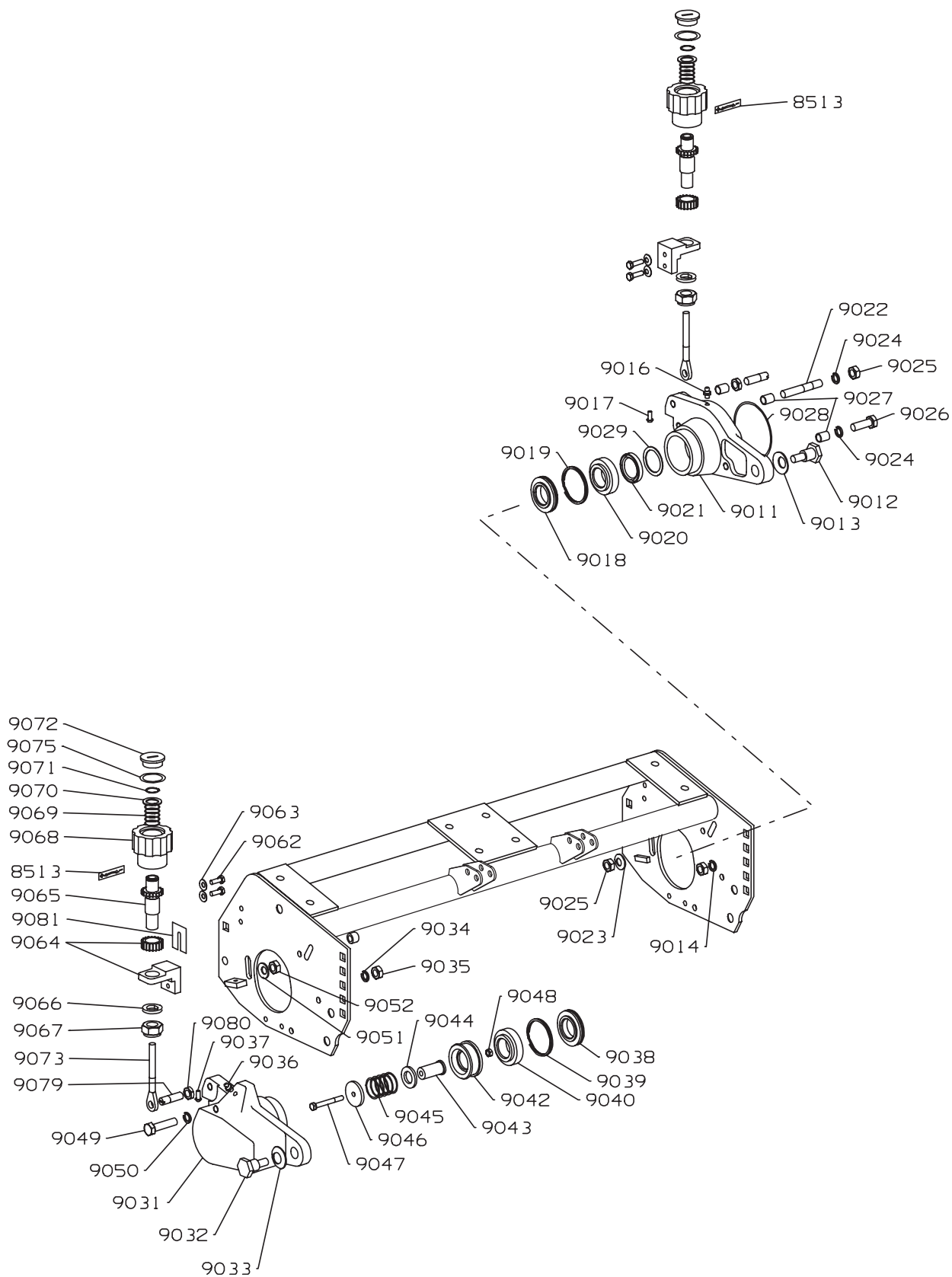


JACOBSEN FAIRWAY AND T-PLEX CUTTING UNIT

| ITEM | PART NO. | DESCRIPTION | QTY. | REMARKS |
|-------|------------|------------------------|------|---------------------|
| 3067* | LMAC084A | Roller-76 x 767 Plain | 1 | Supersedes LMAC084 |
| 3068* | 4200160 | Service Kit-Rollers | 1 | |
| | LMAC084 | Plain Roll Assy. | 1 | |
| 3011 | MBF0486 | • Roller Tube | 1 | |
| 3012 | MBG1210 | • Spindle | 1 | |
| 3013 | MBF0001 | • Ring Carrier | 2 | |
| 3014 | 002300130 | • Seal Ring | 1 | |
| 3015 | 002911150 | • Compression Spring | 2 | |
| 3016 | 002059297 | • Taper Roller Bearing | 2 | |
| 3017 | MBE2429 | • Bearing Housing | 2 | |
| 3018 | 002202540 | • Rotary Lip Seal | 2 | |
| 3019 | 451982 | • Circlip | 2 | |
| 3020 | MBE2430 | • Seal Journal | 2 | 002300210 Seal Ring |
| | MBE1372 | • Washer | 2 | |
| | 450326 | • Nut M12 | 2 | |
| | A221910 | • O Ring | 4 | |
| 3021 | 002211370 | • O Ring | 4 | |
| 3022 | 002993013 | • Lubricator | 2 | |
| 3023 | MBE2431B | • Shield | 2 | |
| 3024 | 450334 | • Thin Nut M16 | 4 | |
| 3026 | 002300210 | • Seal Ring | 1 | |
| 3028 | MBF0002 | • Washer | 2 | |
| 3035 | MBE3986 | Housing - Rear | 2 | |
| 3036 | 452565 | Bolt M8 x 30 | 4 | |
| 3037 | 450378 | Stiffnut M8 | 4 | |
| 3038 | 450390 | Washer 8mm | 4 | |
| 3055 | MBE3982 | Carriage - Rear | 2 | |
| 3056 | MBE4001 | Carriage Nut | 2 | |
| 3057 | 452464 | Screw M8 x 16 | 2 | |
| 3058 | MBE4017 | Carriage Nut | 2 | |
| 3065* | 009067320 | Scraper Cable | 1 | |
| 3066* | 450323 | Nut M6 | 2 | |
| * | MBG3645.06 | Adapter Plate | 1 | |

JACOBSEN FAIRWAY AND T-PLEX CUTTING UNIT

COMMON PARTS - CYLINDER BEARING HOUSINGS

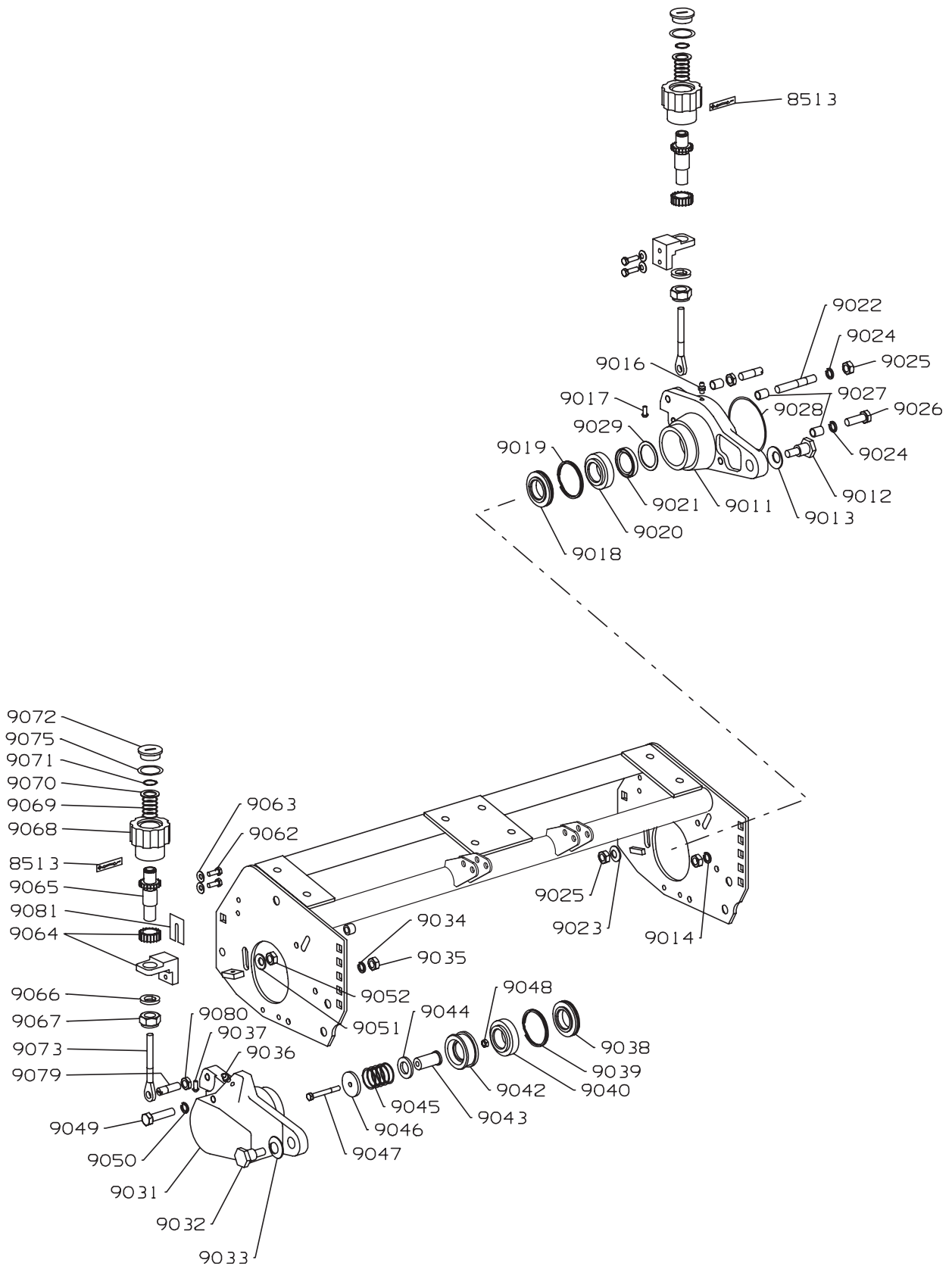


JACOBSEN FAIRWAY AND T-PLEX CUTTING UNIT

| ITEM | PART NO. | DESCRIPTION | QTY. | REMARKS |
|------|-------------|----------------------|------|---|
| 8513 | GSF3702SZ | Label (+<->-) | 2 | |
| 9011 | 2201002.06 | Bearing Housing RH | 1 | (T-Plex 185 RHD, Fairway 250, 305, 405 & TR3 Units 1 & 3) |
| * | MBG1696.06 | Bearing Housing LH | 1 | (T-Plex 185 LHD & TR3 Unit 2) |
| 9012 | MBC7671 | Shoulder pin | 1 | |
| 9013 | 461901564 | Disc Spring | 1 | |
| 9014 | 450412 | S.L.Washer 10mm | 1 | |
| 9015 | 450325 | Nut M10 | 1 | |
| 9016 | 002993013 | Lubricator | 1 | |
| 9017 | 451153 | Screw No.12 x 13 | 1 | |
| 9018 | MBE2231 | Ring Carrier | 1 | |
| 9019 | 002300130 | Seal Ring | 1 | |
| 9020 | 002090440 | Taper Roller Bearing | 1 | |
| 9021 | 002300190 | Rotary Shaft Seal | 1 | |
| 9022 | MBE2374B | Stud | 1 | (T-Plex 185 & Fairway 305, 405) |
| 9022 | 2203038 | Stud, 10mm / 8mm | 1 | (Fairway 250) |
| 9023 | 002920836 | Disc Spring | 1 | |
| 9024 | 450412 | S.L.Washer 10mm | 2 | (T-Plex 185 & Fairway 305, 405) |
| 9024 | 001594010 | Washer , 0.328 | 2 | (Fairway 250) |
| 9025 | 450379 | Stiffnut M10 | 1 | (Fairway 250) |
| 9025 | 450379 | Stiffnut M10 | 1 | (T-Plex 185 & Fairway 305, 405) |
| 9026 | 450215 | Screw M10 x 30 | 1 | (T-Plex 185 & Fairway 305, 405) |
| 9026 | 2203039 | Stud, 10mm / 8mm | 1 | (Fairway 250) |
| 9027 | 001993020 | Helicoil Insert | 3 | |
| 9028 | 002210310 | O Ring | 1 | (T-Plex 185 & Fairway 250, 305, 405) |
| 9029 | MBE4676 | Spacer | 1 | |
| 9030 | 450378 | Nut, M8 Nyloc | 1 | (Fairway 250) |
| 9031 | MBE2982B.06 | Bearing Housing LH | 1 | (T-Plex 185, Fairway 305, 405 & TR3 Units 1 & 3) |
| * | MBG1694.06 | Bearing Housing RH | 1 | (T-Plex 185 LHD & TR3 Unit 2) |
| 9032 | MBC7671 | Shoulder Pin | 1 | |
| 9033 | H083023 | Disc Spring | 1 | |
| 9034 | 450412 | S.L.Washer 10mm | 1 | |
| 9035 | 450325 | Nut M10 | 1 | |
| 9036 | A299301 | Lubricator | 1 | |
| 9037 | 451153 | Screw No.12 x 13 | 1 | |

JACOBSEN FAIRWAY AND T-PLEX CUTTING UNIT

COMMON PARTS - CYLINDER BEARING HOUSING

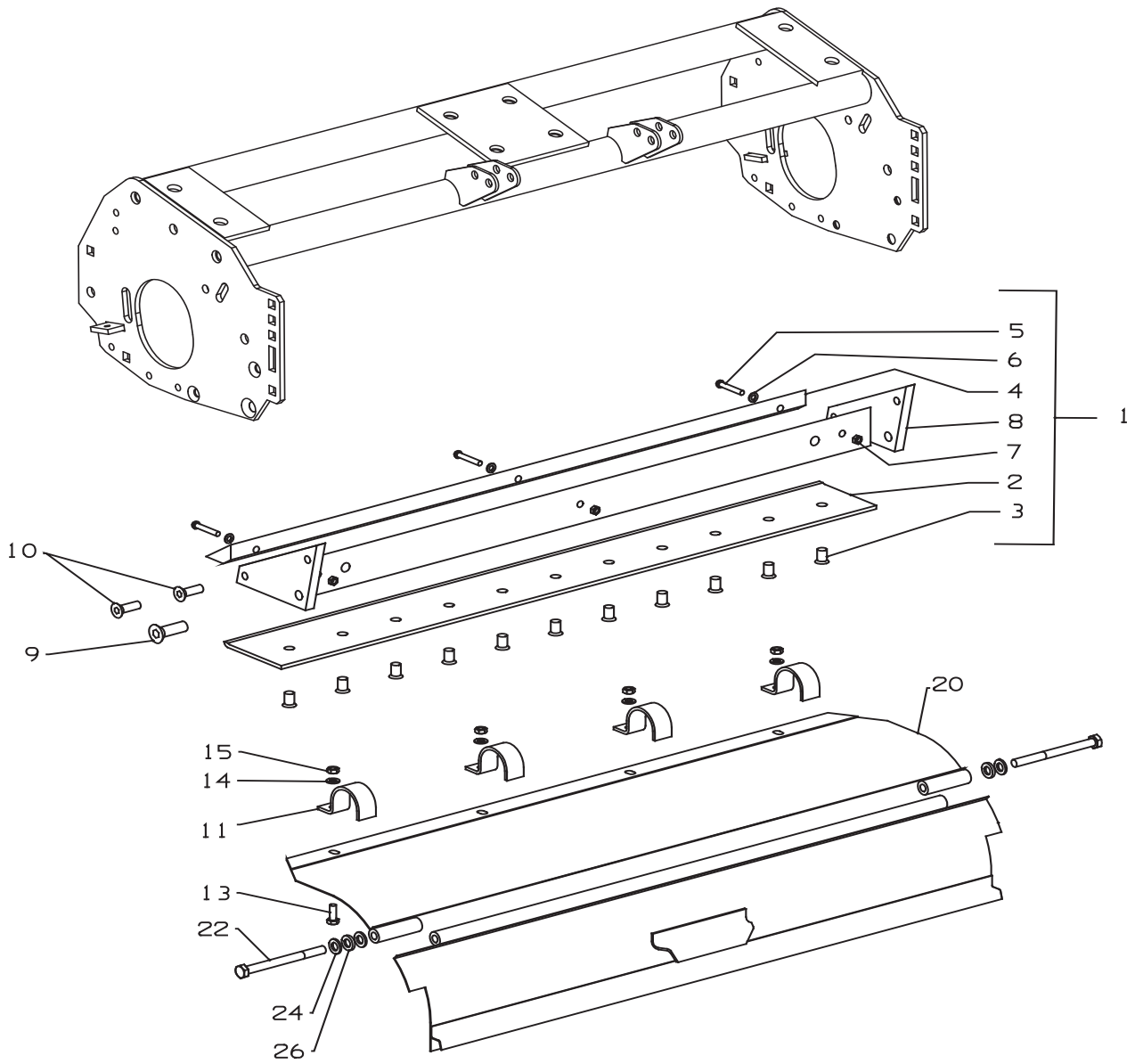


JACOBSEN FAIRWAY AND T-PLEX CUTTING UNIT

| ITEM | PART NO. | DESCRIPTION | QTY. | REMARKS |
|------|-----------|----------------------|------|---|
| 9038 | MBE2231 | Ring Carrier | 1 | |
| 9039 | 002300130 | Seal Ring | 1 | |
| 9040 | 002090440 | Taper Roller Bearing | 1 | |
| 9042 | MBC9175 | Plunger | 1 | (T-Plex 185 & Fairway 250, 305, 405) |
| 9042 | MBG1392 | Plunger | 1 | (Fairway 250) |
| 9043 | MBC9178 | Guide | 1 | (T-Plex 185 & Fairway 305, 405) |
| 9044 | 450393 | Washer 16mm | 1 | |
| 9045 | 002910948 | Compression Spring | 1 | |
| 9046 | MBC9177 | Plate | 1 | (T-Plex 185 & Fairway 305, 405) |
| 9046 | MBF0544 | Plate | 1 | (Fairway 250) |
| 9047 | 450005 | Bolt M6 x 50 | 1 | |
| 9048 | 450377 | Stiffnut M6 | 1 | |
| 9049 | 450217 | Screw M10 x 40 | 1 | |
| 9050 | 450412 | S.L.Washer 10mm | 1 | |
| 9051 | 00292083 | Disc Spring | 1 | |
| 9052 | 450379 | Stiffnut M10 | 1 | |
| 9061 | MBF0324 | Abutment | 2 | (T-Plex 185 & Fairway 305, 405) |
| 9062 | 450170 | Screw M6 x 16 | 4 | |
| 9063 | 002920280 | Disc Spring | 4 | |
| 9064 | MBG4182 | Abutment | 2 | (T-Plex 185 & Fairway 305, 405) |
| 9065 | MBE2969 | Adjuster | 2 | |
| 9066 | MBC9251 | Spacer Collar | 2 | (T-Plex 185 & Fairway 305, 405) |
| 9066 | 450393 | Washer M16 | 2 | (Fairway 250) |
| 9067 | 450382 | Stiffnut M16 | 2 | |
| 9068 | 002990544 | Handwheel | 2 | |
| 9069 | 002910930 | Compression Spring | 2 | |
| 9070 | 001894202 | Nylon Washer | 2 | |
| 9071 | 452042 | Circlip | 2 | |
| 9072 | 002491118 | Screw Plug | 2 | |
| 9073 | MBE3222A | Adjuster Rod | 2 | |
| 9075 | 002210261 | O Ring | 2 | |
| 9079 | MBE2659 | Pivot Stud | 2 | |
| 9080 | 450332 | Thin Nut M10 | 2 | |
| 9081 | MBC9642 | Shim | 4 | |

JACOBSEN FAIRWAY AND T-PLEX CUTTING UNIT

COMMON PARTS - BOTTOM BLOCK & CONCAVE



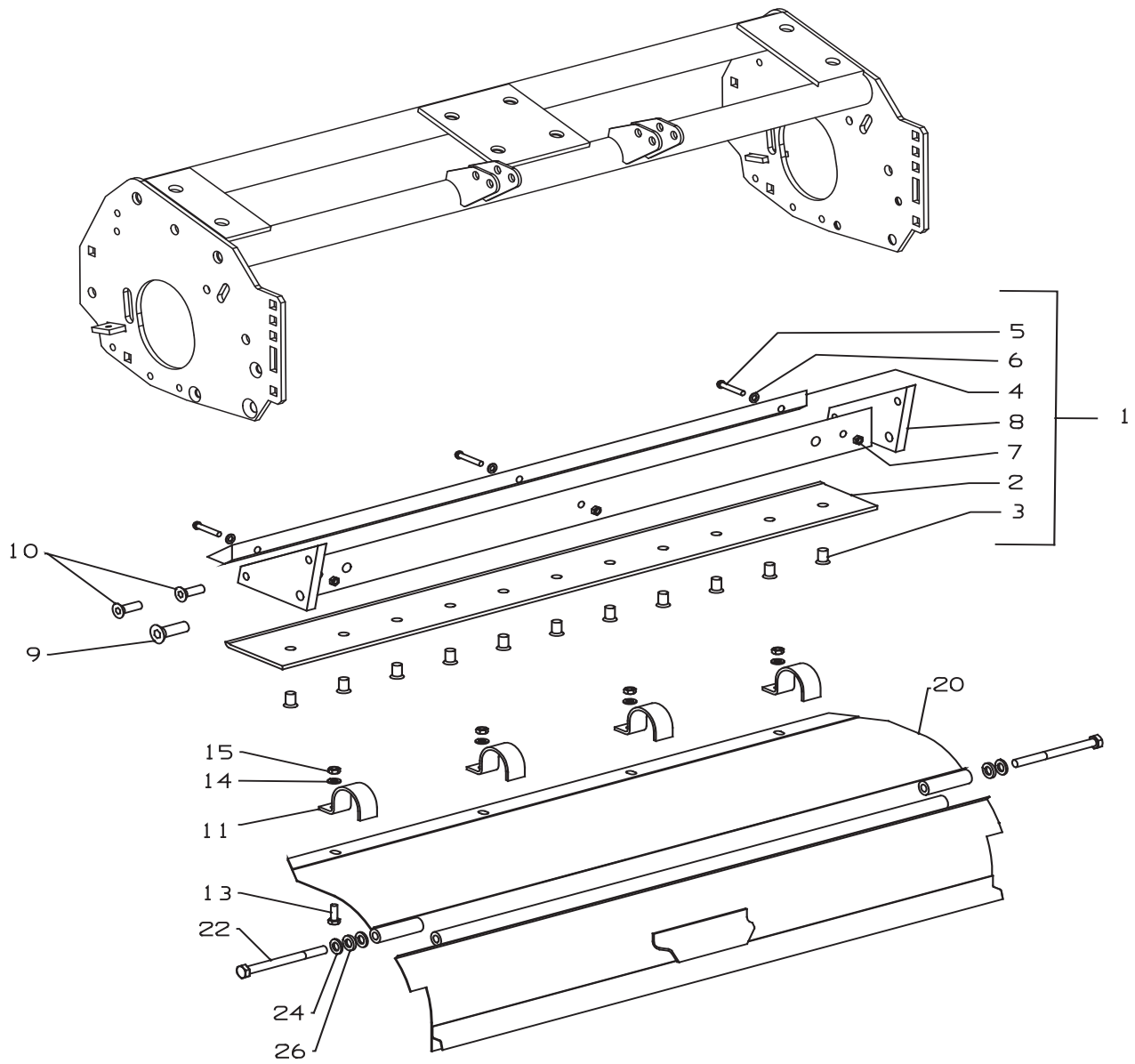
JACOBSEN FAIRWAY AND T-PLEX CUTTING UNIT

| ITEM | PART NO. | DESCRIPTION | QTY. | REMARKS |
|--------|------------|-------------------------|------|--|
| 9091 | LMAB533.07 | Bottom Block Assy (26") | 1 | (Fairway 305, 405 T-Plex 185 series ZX & TR3) |
| 9091.2 | MBA7103 | Bottom Blade | 1 | |
| 9091.3 | 001190018 | Screw | 11 | |
| 9091.4 | 009134400 | Wood Fillet | 1 | |
| 9091.5 | 450532 | Screw M5 x 35 | 3 | |
| 9091.6 | 450388 | Washer 5mm | 3 | |
| 9091.7 | 450322 | Nut M5 | 3 | |
| 9091.8 | N/A | Bottom Block | 1 | |
| 9091 | LMAB535.07 | Bottom Block Assy (30") | 1 | (Floating Head only T-Plex 185 series ZY) |
| 9091.2 | MBA7109 | Bottom Blade | 1 | |
| 9091.3 | 001190018 | Screw | 11 | |
| 9091.4 | 009134610 | Plastic Fillet | 1 | |
| 9091.5 | 450532 | Screw M5 x 35 | 3 | |
| 9091.6 | 450388 | Washer 5mm | 3 | |
| 9091.7 | 450322 | Nut M5 | 3 | |
| 9091.8 | N/A | Bottom Block | 1 | |
| 9091 | LMAB534.07 | Bottom Block Assy (22") | 1 | (Fairway 250) |
| 9091.2 | MBA7116A | Bottom Blade | 1 | |
| 9091.3 | 001190081 | Screw | 11 | |
| 9091.4 | 009134660 | Wood Fillet | 1 | |
| 9091.5 | 450532 | Screw M5 x 35 | 3 | |
| 9091.6 | 450388 | Washer 5mm | 3 | |
| 9091.7 | 450322 | Nut M5 | 3 | |
| 9091.8 | N/A | Bottom Block | 1 | |
| 9097 | 450865 | Screw M8 x 20 | 4 | |
| 9099 | 450879 | Screw M10 x 20 | 2 | |
| 9112 | MBE1967 | Clamp Bracket | 4 | |
| 9113 | 450170 | Screw M6 x 16 | 4 | |
| 9114 | 450389 | Washer 6mm | 4 | |
| 9115 | 450377 | Stiffnut M6 | 4 | |
| 9120 | MBF0489.06 | Concave Top | 1 | (T-Plex 185 x 30" C/U) |
| 9121 | MBF0492.06 | Concave Base | 1 | (T-Plex 185 x 30" C/U) |
| 9122 | 450026 | Bolt M8 x 90 | 2 | |
| 9123 | 002920501 | Disc spring | 2 | |
| 9124 | 450390 | 8mm Washer | 11 | |
| 9125* | 030314301 | Anti-seize spray | A/R | |
| 9126 | 009120090 | Rubber washer | 1 | |

* Not Illustrated

JACOBSEN FAIRWAY AND T-PLEX CUTTING UNIT

COMMON PARTS - BOTTOM BLOCK & CONCAVE



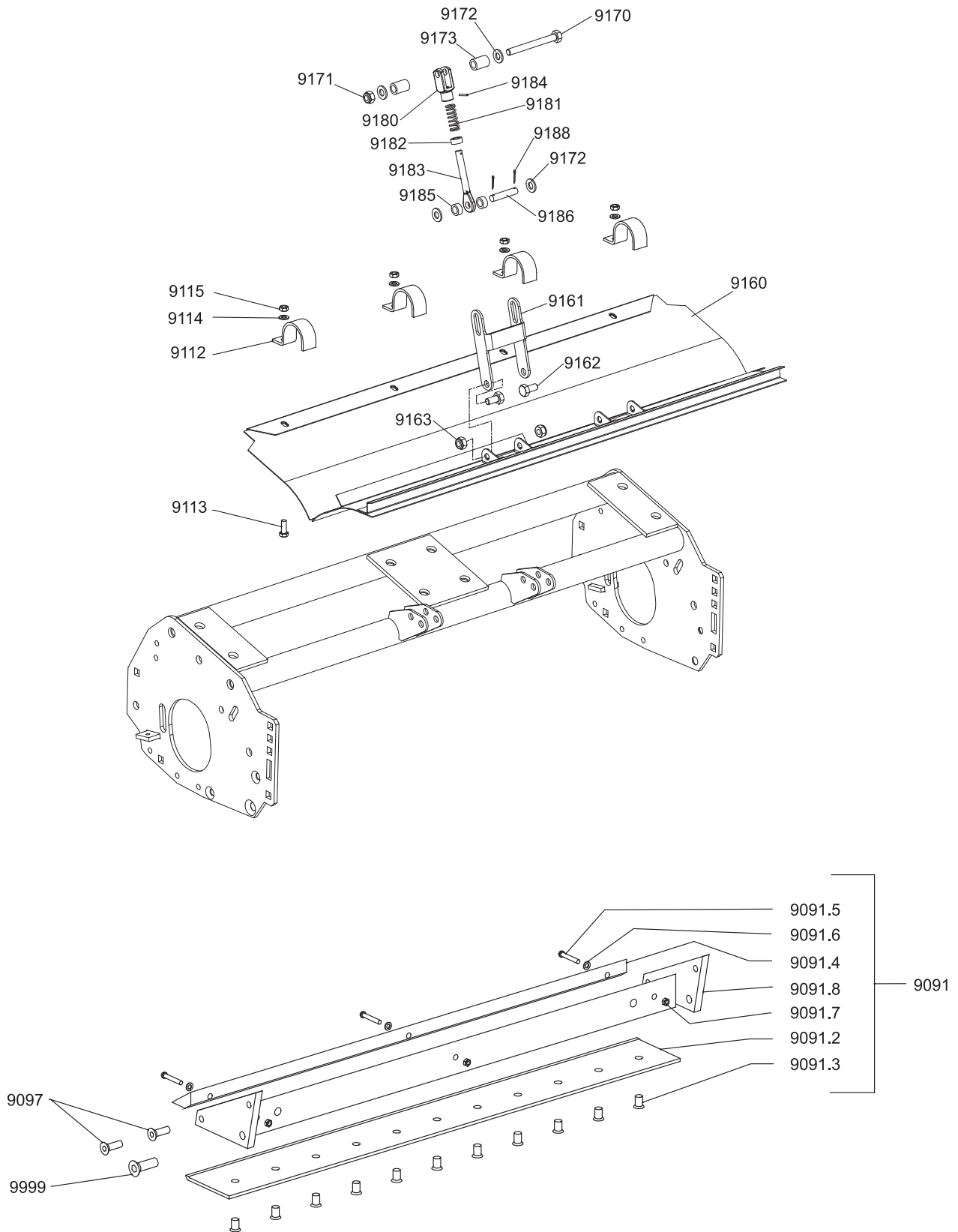
JACOBSEN FAIRWAY AND T-PLEX CUTTING UNIT

| ITEM | PART NO. | DESCRIPTION | QTY. | REMARKS |
|------|----------------------|---|------|--|
| * | MBA7096A MBF0578A | Bottom blade (Thin) Concave WLDMT/Assy | 1 | (Fairway 305, 405) Piano Type Hinge |

* Not Illustrated

JACOBSEN FAIRWAY AND T-PLEX CUTTING UNIT

COMMON PARTS - CONCAVE



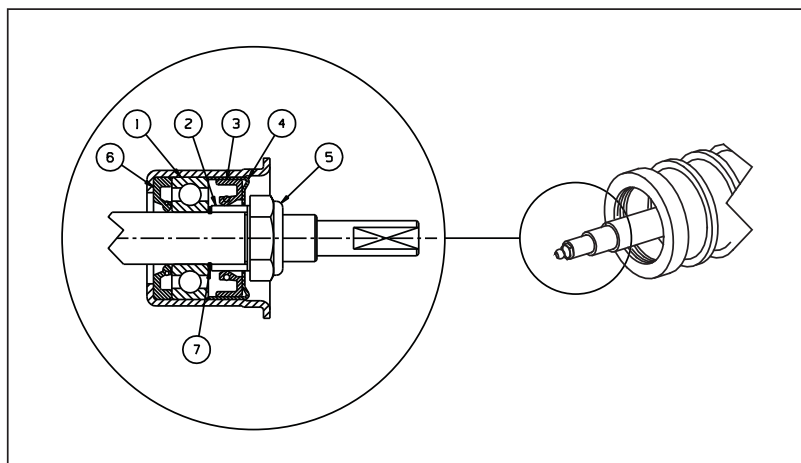
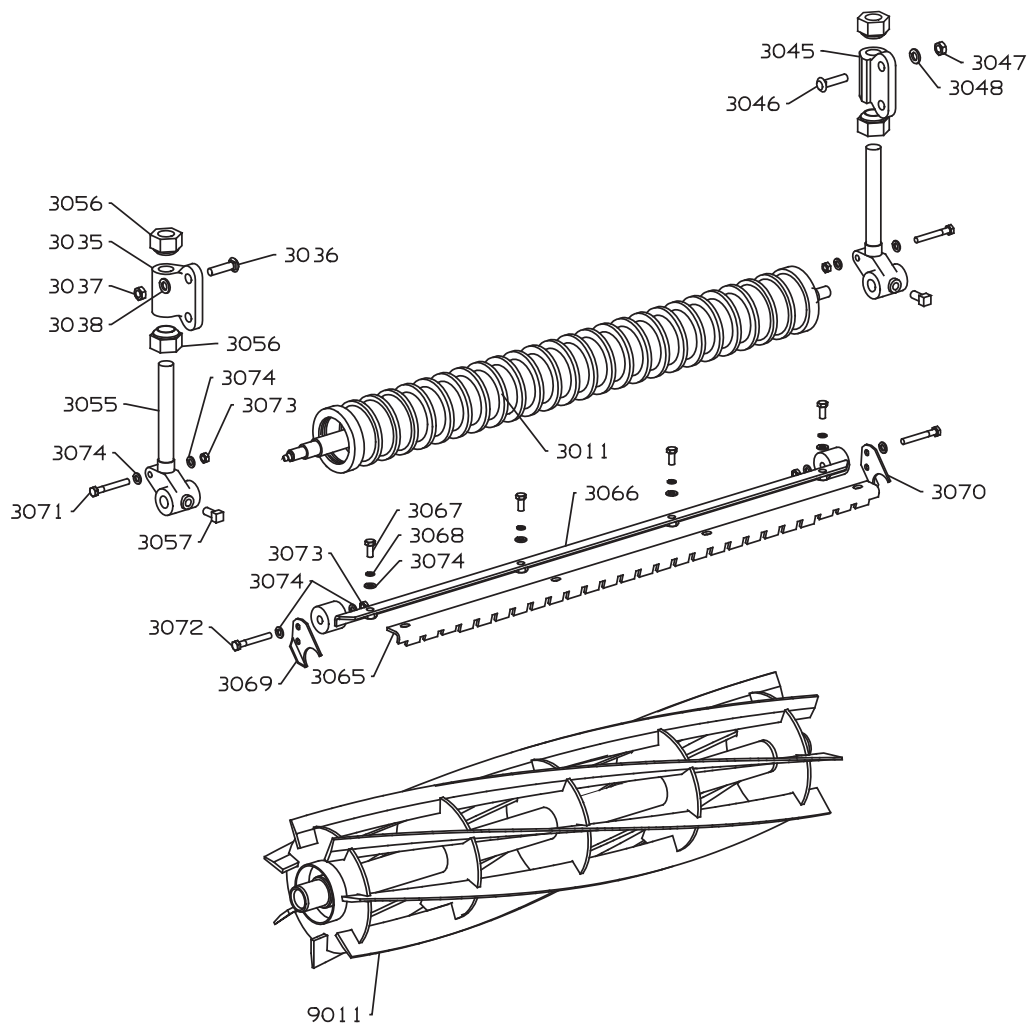
JACOBSEN FAIRWAY AND T-PLEX CUTTING UNIT

| ITEM | PART NO. | DESCRIPTION | QTY. | REMARKS |
|--------|-------------|-------------------------|------|-----------------------|
| 9091 | LMAB533.07 | Bottom Block Assy (26") | 1 | |
| 9091.2 | MBA7103 | Bottom Blade | 1 | |
| 9091.3 | 001190018 | Screw | 11 | |
| 9091.4 | 009134400 | Wood Fillet | 1 | |
| 9091.5 | 450532 | Screw M5 x 35 | 3 | |
| 9091.6 | 450388 | Washer 5mm | 3 | |
| 9091.7 | 450322 | Nut M5 | 3 | |
| 9091.8 | N/A | Bottom Block | 1 | |
| * | MBA7096A | Bottom blade (Thin) | 1 | |
| 9097 | 450865 | Screw M8 x 20 | 4 | |
| 9099 | 450879 | Screw M10 x 20 | 2 | |
| 9112 | MBE1967 | Clamp Bracket | 4 | |
| 9113 | 450170 | Screw M6 x 16 | 4 | |
| 9114 | 450389 | Washer 6mm | 4 | |
| 9115 | 450377 | Stiffnut M6 | 4 | |
| 9160 | MBF0578C.06 | Wldmt - Concave | 1 | (T-Plex 185 ZX & TR3) |
| 9160 | MBF0820.06 | Wldmt - Concave | 1 | (Fairway 250) |
| 9161 | 2202027 | Lever | 1 | |
| 9162 | 450190 | Screw, M8 x 16 | 2 | |
| 9163 | 450378 | Nut, M8 Nyloc | 2 | |
| 9164 | 450390 | Washer, M8 | 2 | |
| 9170 | 450023 | Bolt, M8 x 75 | 1 | |
| 9171 | 450378 | Nut, M8 Nyloc | 1 | |
| 9172 | 450390 | Washer, M8 | 4 | |
| 9173 | AF9020 | Spacer | 2 | |
| 9180 | MBE1969 | Clevis | 1 | |
| 9181 | 002910702 | Spring | 1 | |
| 9182 | AF09006 | Spacer | 1 | |
| 9183 | MBE1970A | Eye Rod | 1 | |
| 9184 | 451344 | Spirol Pin | 1 | |
| 9185 | AF09006 | Spacer | 2 | |
| 9186 | MBE1980B | Pivot Pin | 1 | |
| 9187 | 450390 | Washer, M8 | 2 | |
| 9188 | 451208 | Split Pin 2 x 14 | 2 | |

* Not Illustrated

JACOBSEN FAIRWAY AND T-PLEX CUTTING UNIT

CUTTING CYLINDER & FRONT GROOVED ROLL 26" Unit



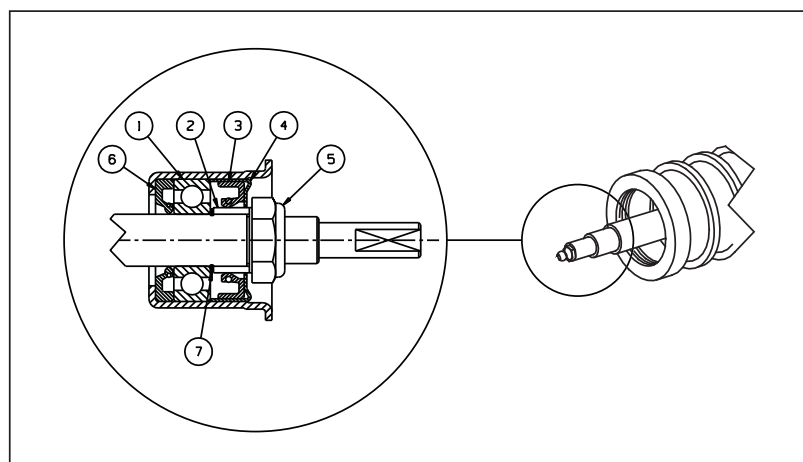
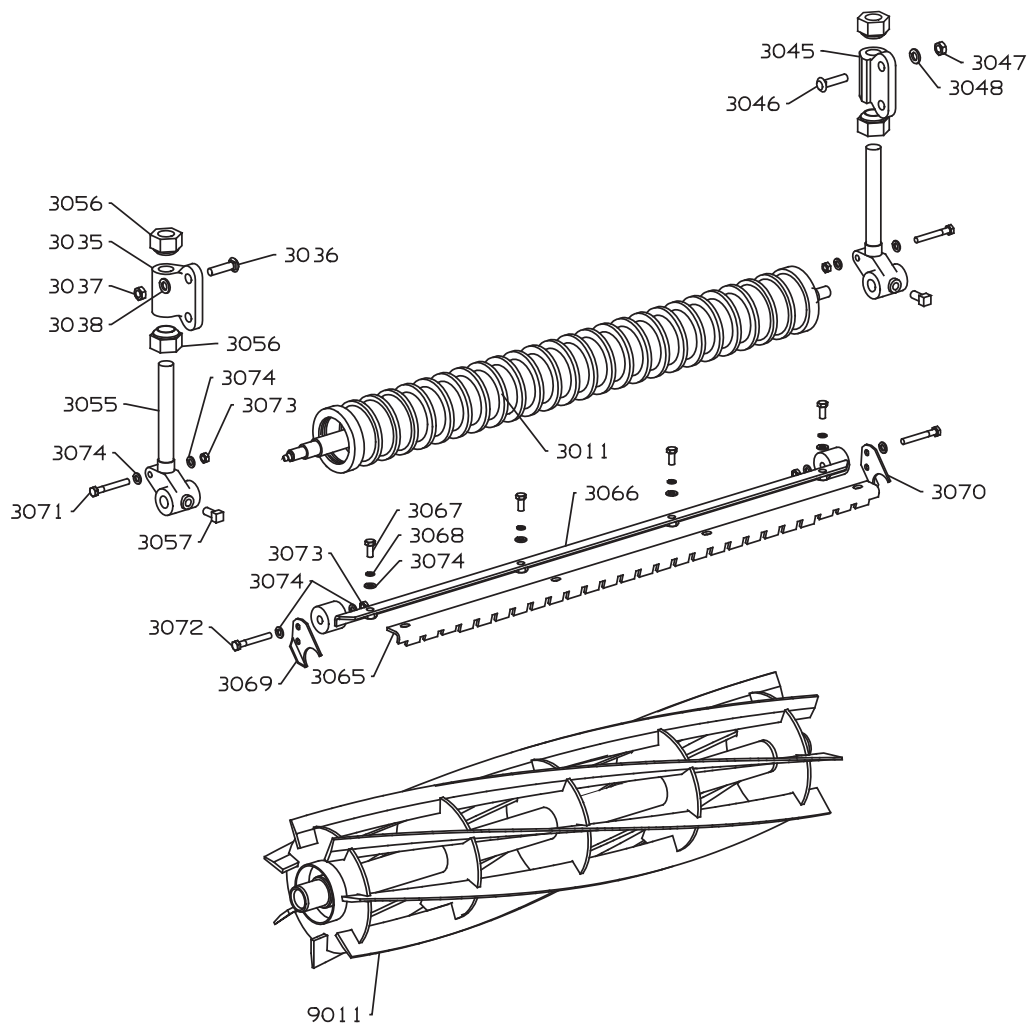
JACOBSEN FAIRWAY AND T-PLEX CUTTING UNIT

| ITEM | PART NO. | DESCRIPTION | QTY. | REMARKS |
|-------|-------------|---------------------------------------|------|---|
| 3011 | LMAC078A | Roller-76 x 665 Grooved | 1 | |
| * | 4200160 | • Service Kit-Rollers | 1 | |
| 1 | | •• Ball bearing | 2 | |
| 2 | | •• Inner seal ring INA LR20/25/12.5 | 2 | |
| 3 | | •• Front seal | 2 | |
| 4 | | ••M/S Cover | 2 | |
| 5 | | ••M20 x 1.5 Nyloc nut, 14.5 LG | 2 | |
| 6 | | ••Rear seal | 2 | |
| 7 | | ••Circlip | 2 | |
| 3035 | MBE3984 | Housing Front LH | 1 | |
| 3036 | 452565 | Bolt M8 x 30 | 1 | |
| 3037 | 450378 | Stiffnut M8 | 1 | |
| 3038 | 450390 | Washer 8mm | 1 | |
| 3045 | MBE3985 | Housing Front RH | 1 | |
| 3046 | 452565 | Bolt M8 x 30 | 1 | |
| 3047 | 450378 | Stiffnut M8 | 1 | |
| 3048 | 450390 | Washer 8mm | 1 | |
| 3055 | MBE3982 | Carriage Front | 2 | |
| 3056 | MBE4001 | Carriage Nut | 4 | |
| 3057 | 452464 | Screw M8 x 16 | 2 | |
| 3065 | MBG1982 | Scraper | 1 | |
| 3066 | MBE3791 | Carrier W/Assy | 1 | |
| 3067 | 450170 | Screw M6 x 16 | 4 | |
| 3068 | 450410 | Dia 6 Lock Washer | 4 | |
| 3069 | MBE4333A | LH Scraper Bracket | 1 | |
| 3070 | MBE4334A | RH Scraper Bracket | 1 | |
| 3071 | 450002 | Bolt M6 x 35 | 2 | |
| 3072 | 450003 | Bolt M6 x 40 | 2 | |
| 3073 | 450377 | M6 Staytite Nut | 4 | |
| 3074 | 450389 | Washer 6mm | 12 | |
| 9011 | MBF0325B.07 | Cutting Cylinder 7K Tang Drive | 1 | (T-Plex 185 series ZXFairway 305, 405) |
| 9011* | MBF0326B.07 | Cutting Cylinder 11K Tang Drive | 1 | (T-Plex 185 series ZX Fairway 305, 405) |
| * | MBF0895A.07 | Cylinder-26" x 7K, LHD Tang Drive LH | 1 | (T-Plex 185 with 26" Units) |
| * | MBF0896A.07 | Cylinder-26" x 11K, LHD Tang Drive LH | 1 | (T-Plex 185 with 26" Units) |

* Not Illustrated

JACOBSEN FAIRWAY AND T-PLEX CUTTING UNIT

CUTTING CYLINDER & FRONT GROOVED ROLL 22" Unit

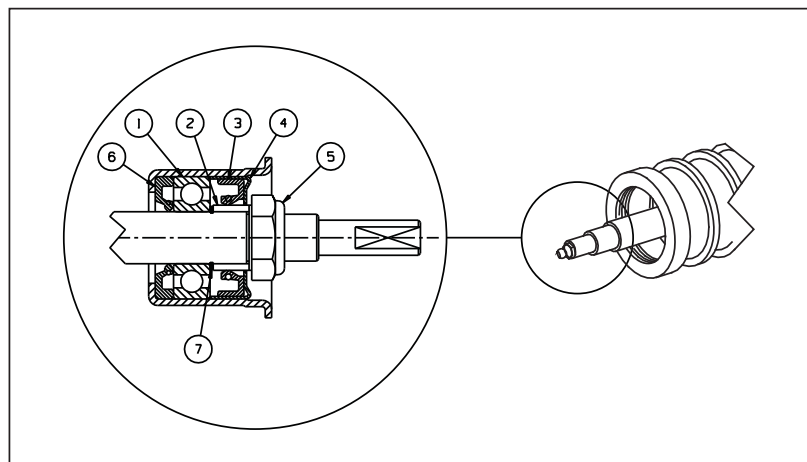
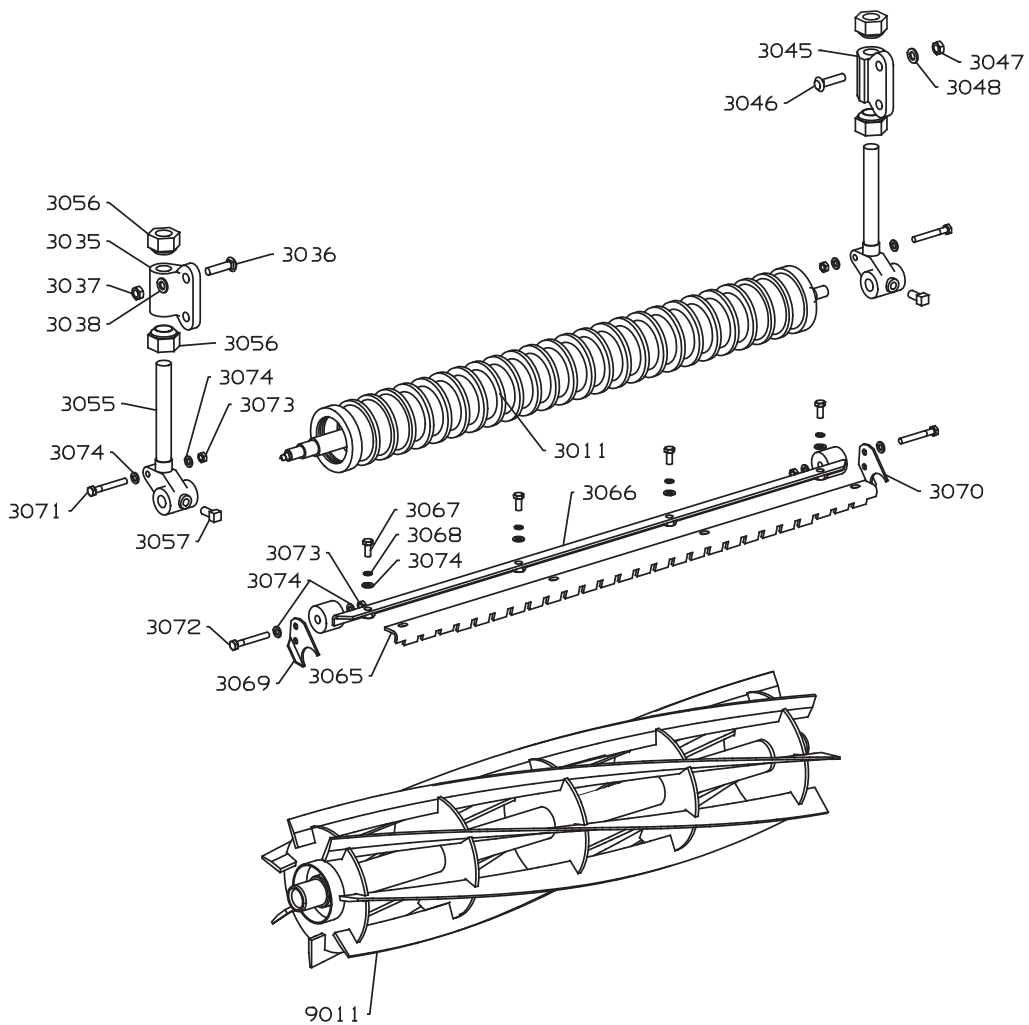


JACOBSEN FAIRWAY AND T-PLEX CUTTING UNIT

| ITEM | PART NO. | DESCRIPTION | QTY. | REMARKS |
|------|-----------|-------------------------------------|------|---------------------|
| * | LMAC079A | Roller-76 x 565 Grooved | 1 | From April 2010 |
| | 4200160 | • Service Kit-Rollers | 1 | |
| 1 | | •• Ball bearing | 2 | |
| 2 | | •• Inner seal ring INA LR20/25/12.5 | 2 | |
| 3 | | •• Front seal | 2 | |
| 4 | | ••M/S Cover | 2 | |
| 5 | | ••M20 x 1.5 Nyloc nut, 14.5 LG | 2 | |
| 6 | | ••Rear seal | 2 | |
| 7 | | ••Circlip | 2 | |
| | LMAC079 | Roller Grooved | | |
| 3011 | MBG2051 | • Roll Tube | 1 | |
| 3012 | MBG2045 | • Spindle | 1 | |
| 3013 | MBF0001 | • Ring Carrier | 2 | |
| 3014 | 002300130 | • Seal Ring | 1 | |
| 3015 | 002911150 | • Compression Spring | 2 | |
| 3016 | 002059297 | • Taper Roller Bearing | 2 | |
| 3017 | MBE2429 | • Bearing Housing | 2 | |
| 3018 | 002202540 | • Rotary Lip Seal | 2 | |
| 3019 | 451982 | • Circlip | 2 | |
| 3020 | MBE2430 | • Seal Journal | 2 | 002300210 Seal Ring |
| 3021 | 002211370 | • O Ring | 4 | |
| 3022 | 002993013 | • Lubricator | 2 | |
| 3023 | MBE2431B | • Shield | 2 | |
| 3024 | 450334 | • Thin Nut M16 | 4 | |
| 3026 | 002300210 | • Seal Ring | 1 | |
| 3028 | MBF0002 | • Washer | 2 | |
| 3035 | MBE3984 | Housing Front LH | 1 | |
| 3036 | 452565 | Bolt M8 x 30 | 1 | |
| 3037 | 450378 | Stiffnut M8 | 1 | |
| 3038 | 450390 | Washer 8mm | 1 | |
| 3045 | MBE3985 | Housing Front RH | 1 | |
| 3046 | 452565 | Bolt M8 x 30 | 1 | |
| 3047 | 450378 | Stiffnut M8 | 1 | |
| 3048 | 450390 | Washer 8mm | 1 | |
| 3055 | MBE3982A | Carriage Front | 2 | |
| 3056 | MBE4001 | Carriage Nut | 4 | |
| 3057 | 452464 | Screw M8 x 16 | 2 | |
| 3065 | MBG2052 | Scraper | 1 | |
| 3066 | MBF0823 | Carrier W/Assy | 1 | |
| 3067 | 450170 | Screw M6 x 16 | 4 | |
| 3068 | 450410 | Dia 6 Lock Washer | 4 | |
| 3069 | MBE4333A | LH Scraper Bracket | 1 | |
| 3070 | MBE4334A | RH Scraper Bracket | 1 | |
| 3071 | 450002 | Bolt M6 x 35 | 2 | |

JACOBSEN FAIRWAY AND T-PLEX CUTTING UNIT

CUTTING CYLINDER & FRONT GROOVED ROLL 22" Unit

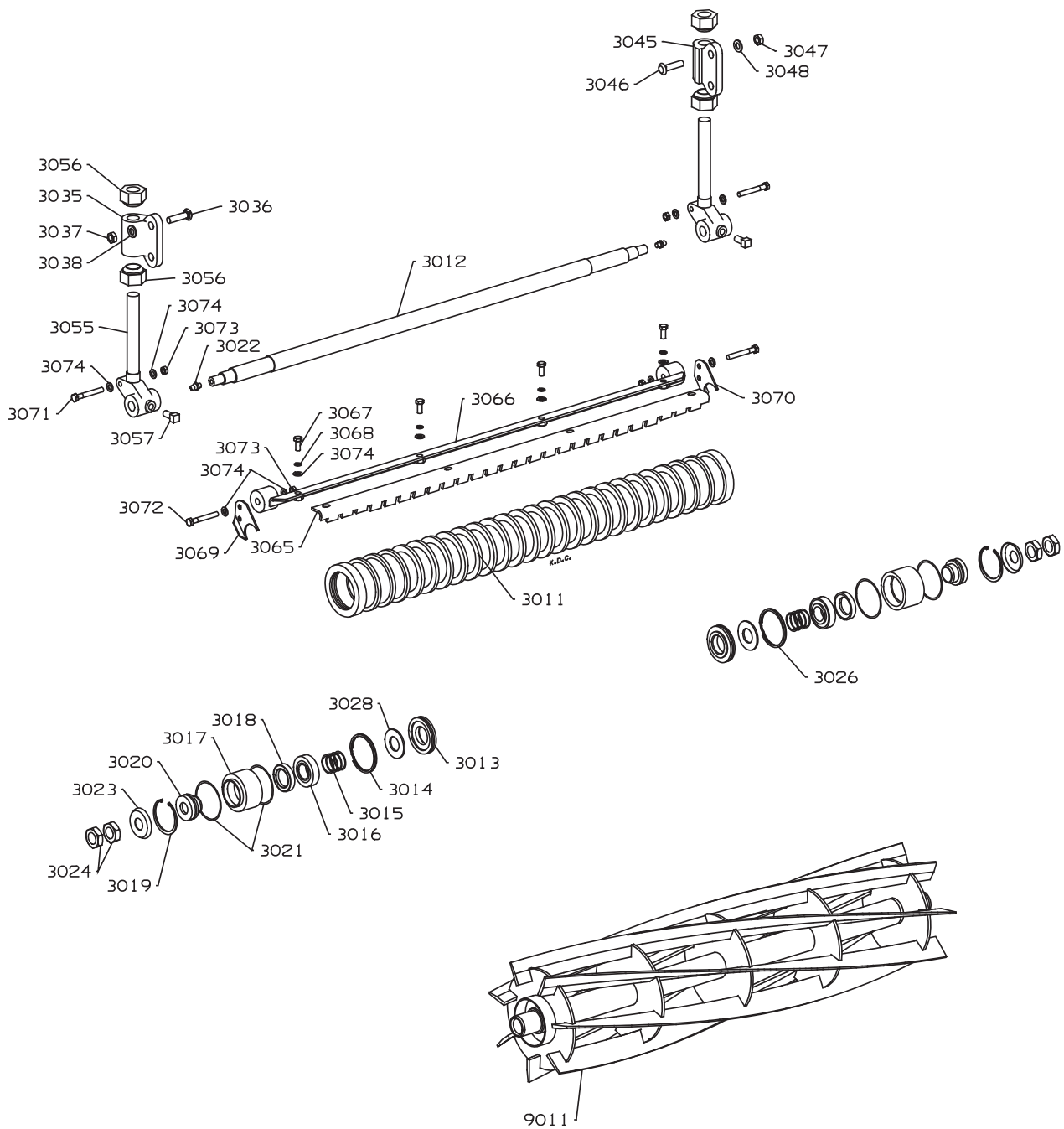


JACOBSEN FAIRWAY AND T-PLEX CUTTING UNIT

| ITEM | PART NO. | DESCRIPTION | QTY. | REMARKS |
|-------|-------------|----------------------|------|---------|
| 3072 | 450003 | Bolt M6 x 40 | 2 | |
| 3073 | 450377 | M6 Staytite Nut | 4 | |
| 3074 | 450389 | Washer 6mm | 12 | |
| 9011 | MBF0821B.07 | Cutting Cylinder 7K | 1 | |
| 9011* | MBF0822B.07 | Cutting Cylinder 11K | 1 | |

JACOBSEN FAIRWAY AND T-PLEX CUTTING UNIT

CUTTING CYLINDER & FRONT GROOVED ROLL 30" Unit

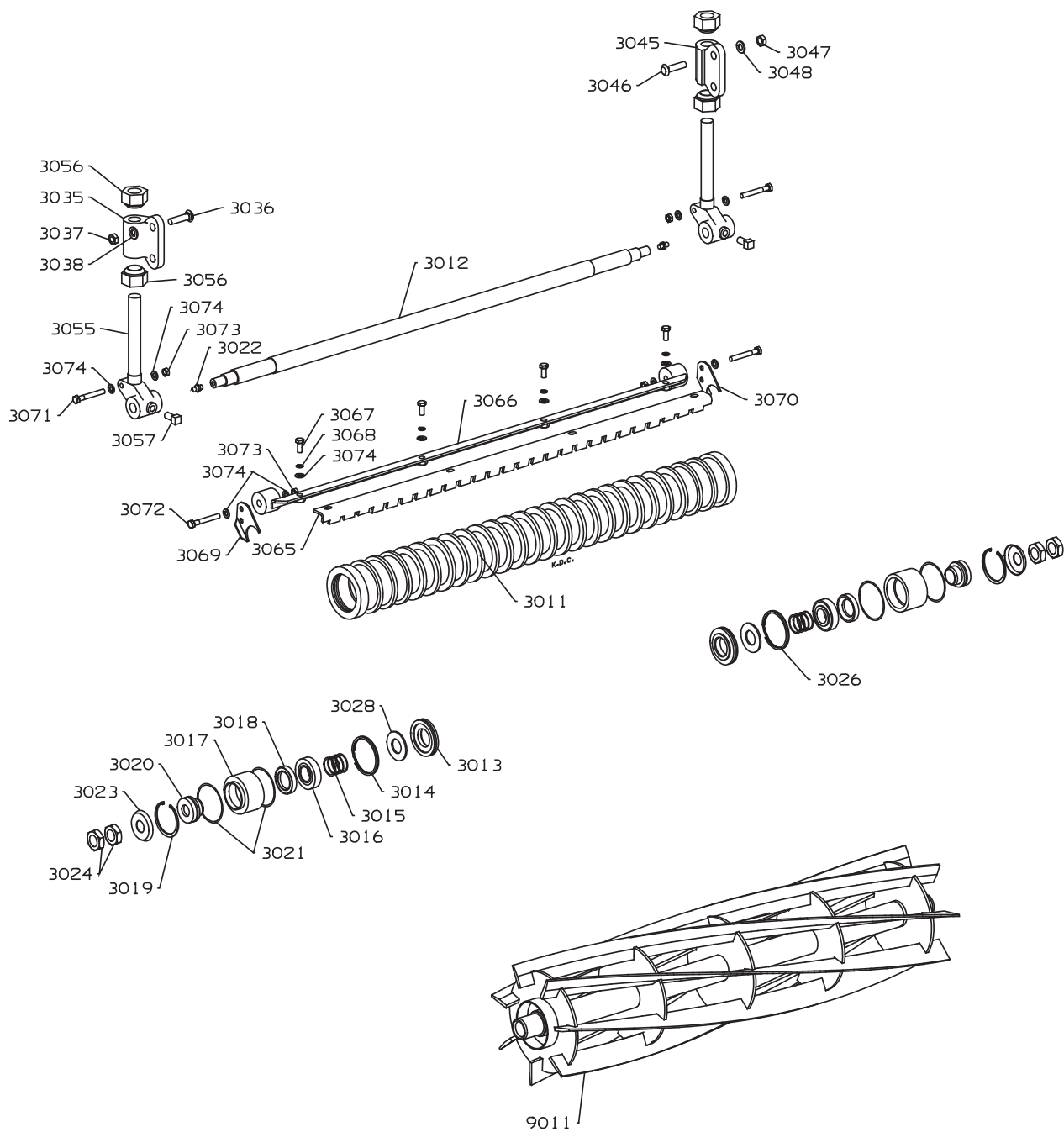


JACOBSEN FAIRWAY AND T-PLEX CUTTING UNIT

| ITEM | PART NO. | DESCRIPTION | QTY. | REMARKS |
|------|-----------|------------------------|------|---------------------|
| | JMSE119 | Grooved Roll Assy. | 1 | |
| 3011 | MBG1901 | • Roll Tube | 1 | |
| 3012 | MBG1210 | • Spindle | 1 | |
| 3013 | MBF0001 | • Ring Carrier | 2 | |
| 3014 | 002300130 | • Seal Ring | 1 | |
| 3015 | 002911150 | • Compression Spring | 2 | |
| 3016 | 002059297 | • Taper Roller Bearing | 2 | |
| 3017 | MBE2429 | • Bearing Housing | 2 | |
| 3018 | 002202540 | • Rotary Lip Seal | 2 | |
| 3019 | 451982 | • Circlip | 2 | |
| 3020 | MBE2430 | • Seal Journal | 2 | 002300210 Seal Ring |
| 3021 | 002211370 | • O Ring | 4 | |
| 3022 | 002993013 | • Lubricator | 2 | |
| 3023 | MBE2431B | • Shield | 2 | |
| 3024 | 450334 | • Thin Nut M16 | 4 | |
| 3026 | 002300210 | • Seal Ring | 1 | |
| 3028 | MBF0002 | • Washer | 2 | |
| 3035 | MBE3984 | Housing Front LH | 1 | |
| 3036 | 452565 | Bolt M8 x 30 | 1 | |
| 3037 | 450378 | Stiffnut M8 | 1 | |
| 3038 | 450390 | Washer 8mm | 1 | |
| 3045 | MBE3985 | Housing Front RH | 1 | |
| 3046 | 452565 | Bolt M8 x 30 | 1 | |
| 3047 | 450378 | Stiffnut M8 | 1 | |
| 3048 | 450390 | Washer 8mm | 1 | |
| 3055 | MBE3982A | Carriage Front | 2 | |
| 3056 | MBE4001 | Carriage Nut | 4 | |
| 3057 | 452464 | Screw M8 x 16 | 2 | |
| 3065 | MBG2052 | Scraper | 1 | |
| 3066 | MBF0823 | Carrier W/Assy | 1 | |
| 3067 | 450170 | Screw M6 x 16 | 4 | |
| 3068 | 450410 | Dia 6 Lock Washer | 4 | |
| 3069 | MBE4333A | LH Scraper Bracket | 1 | |
| 3070 | MBE4334A | RH Scraper Bracket | 1 | |
| 3071 | A100207 | Bolt M6 x 35 | 2 | |
| 3072 | A100208 | Bolt M6 x 40 | 2 | |
| 3073 | A133206 | M6 Staytite Nut | 4 | |
| 3074 | A150006 | Washer 6mm | 12 | |

JACOBSEN FAIRWAY AND T-PLEX CUTTING UNIT

CUTTING CYLINDER & FRONT GROOVED ROLL 30" Unit

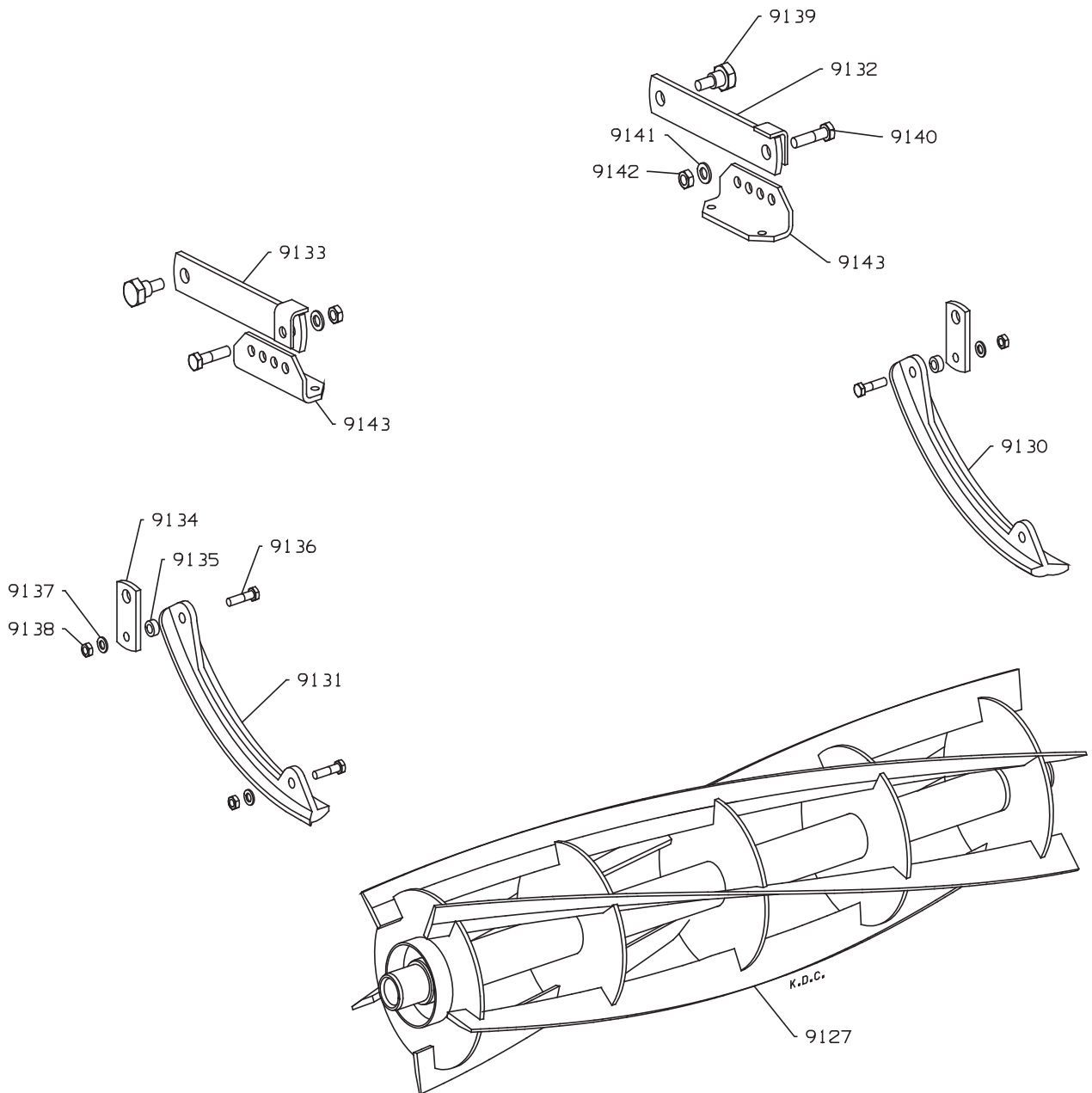


JACOBSEN FAIRWAY AND T-PLEX CUTTING UNIT

| ITEM | PART NO. | DESCRIPTION | QTY. | REMARKS |
|------|-------------|--------------------------|------|---------|
| 9011 | MBF0483B.07 | Cutting Cylinder 7k RHD | 1 | |
| * | MBF0597A.06 | Front Skid LH | | |
| * | MBF0671B.07 | Cutting Cylinder 7k LHD | 1 | |
| 9011 | MBF0484B.07 | Cutting Cylinder 11k RHD | 1 | |
| * | MBF0677B.07 | Cutting Cylinder 11k LHD | 1 | |

JACOBSEN FAIRWAY AND T-PLEX CUTTING UNIT

CUTTING CYLINDER & SKIDS (FIXED HEAD) T-Plex 185 & TR3



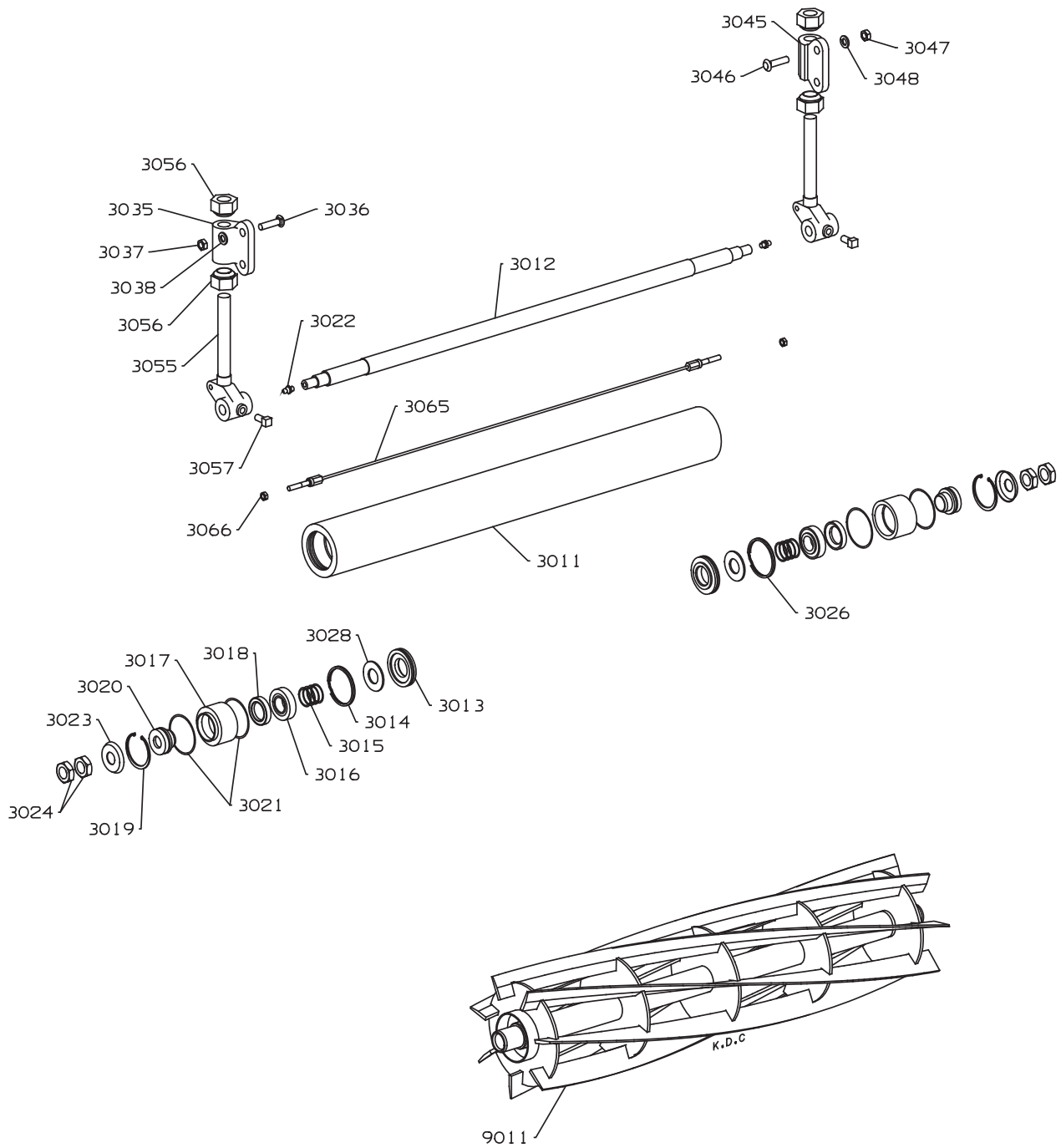
JACOBSEN FAIRWAY AND T-PLEX CUTTING UNIT

| ITEM | PART NO. | DESCRIPTION | QTY. | REMARKS |
|-------|-------------|------------------------------|------|------------|
| 9127 | MBF0469B.07 | Cutting Cylinder 5K | 1 | T-Plex 185 |
| 9127 | MBF0482B.07 | Cutting Cylinder 5K RHD | 1 | T-Plex 185 |
| | | Fixed Head Skids & Restraint | | |
| 9130 | MBE0092.06 | Front Skid RH | 1 | TR3 |
| 9131 | MBE0093.06 | Front Skid LH | 1 | TR3 |
| 9132 | MBG1065.06 | Strut RH | 1 | |
| 9133 | MBG1065.06 | Strut LH | 1 | |
| 9134 | MBG1067.06 | Plate | 2 | TR3 |
| 9135 | MBG1068.06 | Collar | 2 | TR3 |
| 9136 | 450171 | Screw M6 x 20 | 4 | TR3 |
| 9137 | 450389 | Washer 6mm | 4 | TR3 |
| 9138 | 450323 | Nut M6 | 4 | TR3 |
| 9139 | MBF0411 | Shoulder Bolt | 2 | |
| 9140 | 450192 | Screw M8 x 25 | 2 | |
| 9141 | 450390 | Washer 8mm | 2 | |
| 9142 | 450378 | Nut M8 | 2 | |
| 9143 | MBG0958.06 | Anchor Plate | 2 | |
| * | MBC8985.06 | Skid-Heavy Duty | 2 | |
| | | Floating Head Restraint | | |
| 6250* | MBG0958 | Anchor Plate | 6 | |
| 6251* | MBF0411 | Shoulder Bolt | 12 | |
| 6252* | 450378 | Nut-hex M8 Nyloc | 6 | |
| 6253* | 450411 | Lockwshr-m8 X 12.75 X 2 | 6 | |
| 6255* | 009060714 | Cable | 6 | |
| 6261* | LMSD933A | Hoc Guage. | 1 | |

* Not Illustrated

JACOBSEN FAIRWAY AND T-PLEX CUTTING UNIT

CUTTING CYLINDER & FRONT PLAIN ROLL (FLOATING HEAD)

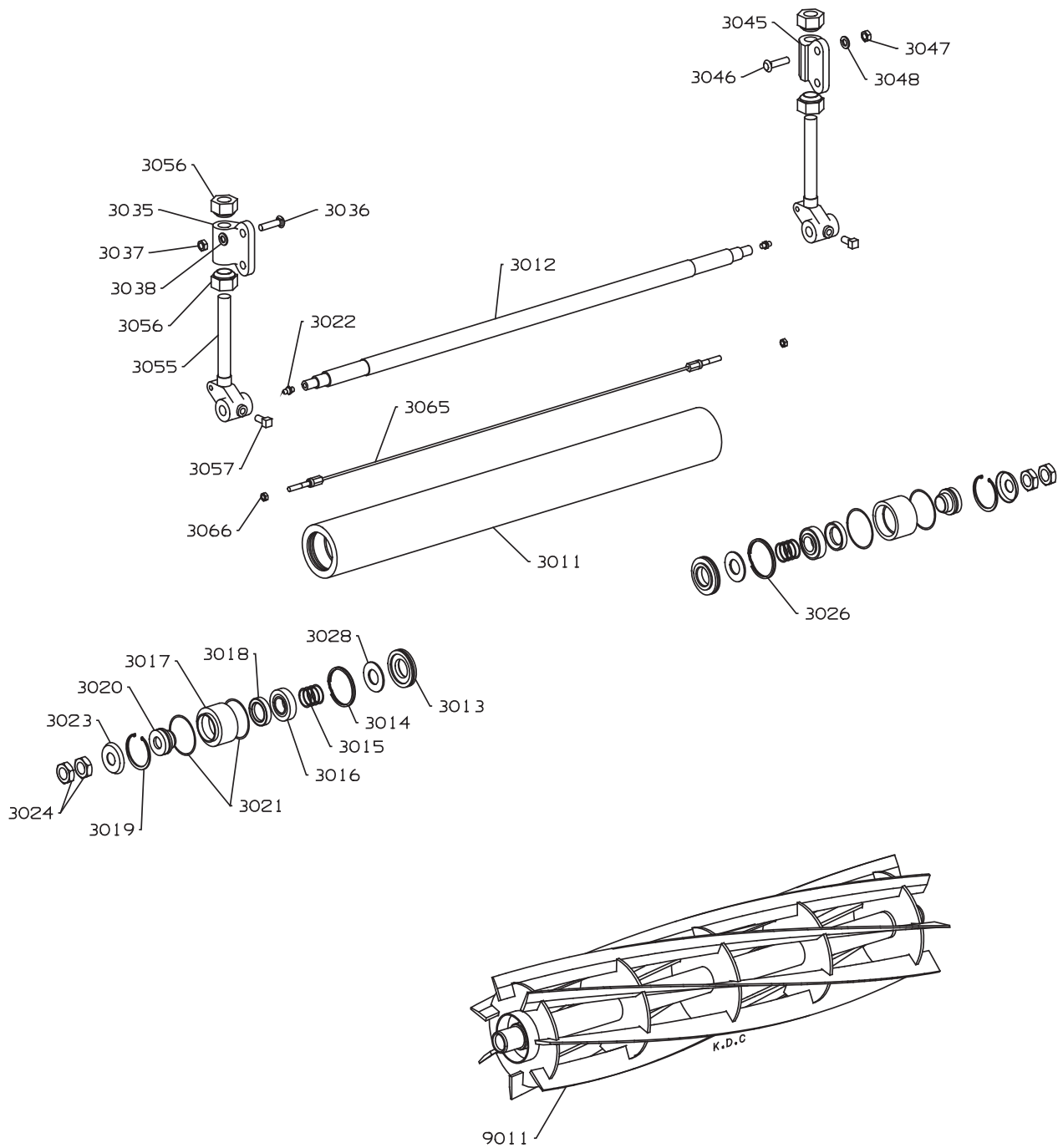


JACOBSEN FAIRWAY AND T-PLEX CUTTING UNIT

| ITEM | PART NO. | DESCRIPTION | QTY. | REMARKS |
|------|-------------|-------------------------|------|--|
| | LMAC075A | Roller-76 x 665 Plain | 1 | From April 2010 |
| | LMAC085A | Roller-76 x 565 Plain | 1 | From April 2010 |
| | 4200160 | • Service Kit-Rollers | 1 | |
| | LMAC075 | Plain Roll Assembly 26" | 1 | Use LMAC075A from April 2010 |
| | LMAC085 | Plain Roll Assembly 22" | 1 | Use LMAC085A from April 2010 |
| 3011 | MBE1761D | • Roll Tube | 1 | Fwy 305, 405 & T-Plex 185 series ZX |
| 3011 | MBF0818 | • Roll Tube | 1 | Fairway 250 |
| 3012 | MBE1752B | • Spindle | 1 | Fwy 305, 405 & T-Plex 185 series ZX |
| 3012 | MBG2045 | • Spindle | 1 | Fairway 250 |
| 3013 | MBF0001 | • Ring Carrier | 2 | |
| 3014 | 002300130 | • Seal Ring | 1 | |
| 3015 | 002911150 | • Compression Spring | 2 | |
| 3016 | 002059297 | • Taper Roller Bearing | 2 | |
| 3017 | MBE2429 | • Bearing Housing | 2 | |
| 3018 | 002202540 | • Rotary Lip Seal | 2 | |
| 3019 | 451982 | • Circlip | 2 | |
| 3020 | MBE2430 | • Seal Journal | 2 | 002300210 Seal Ring |
| 3021 | 002211370 | • O Ring | 4 | |
| 3022 | 002993013 | • Lubricator | 2 | |
| 3023 | MBE2431B | • Shield | 2 | |
| 3024 | 450334 | • Thin Nut M16 | 4 | |
| 3026 | 002300210 | • Seal Ring | 1 | |
| 3028 | MBF0002 | • Washer | 2 | |
| 3035 | MBE3984 | Housing Front LH | 1 | |
| 3036 | 452565 | Bolt M8 x 30 | 4 | |
| 3037 | 450378 | Stiffnut M8 | 4 | |
| 3038 | 450390 | Washer 8mm | 4 | |
| 3045 | MBE3985 | Housing Front RH | 1 | |
| 3046 | 452565 | Bolt M8 x 30 | 1 | |
| 3047 | 450378 | Stiffnut M8 | 1 | |
| 3048 | 450390 | Washer 8mm | 1 | |
| 3055 | MBE3982 | Carriage Front | 2 | |
| 3056 | MBE4001 | Carriage Nut | 4 | |
| 3057 | 452464 | Screw M8 x 16 | 2 | |
| 3065 | A906704 | Scraper Cable | 1 | |
| 3066 | 450323 | Nut M6 | 2 | |
| 9011 | MBF0469B.07 | Cutting Cylinder 5K | 1 | (T-Plex 185 series ZX/RHD) |
| 9011 | MBF0325B.07 | Cutting Cylinder 7K | 1 | (T-Plex 185 series ZX /RHD & Fairway 305, 405) |
| 9011 | MBF0326B.07 | Cutting Cylinder 11K | 1 | (T-Plex 185 series ZX /RHD & Fairway 305, 405) |

JACOBSEN FAIRWAY AND T-PLEX CUTTING UNIT

CUTTING CYLINDER & FRONT PLAIN ROLL (FLOATING HEAD)

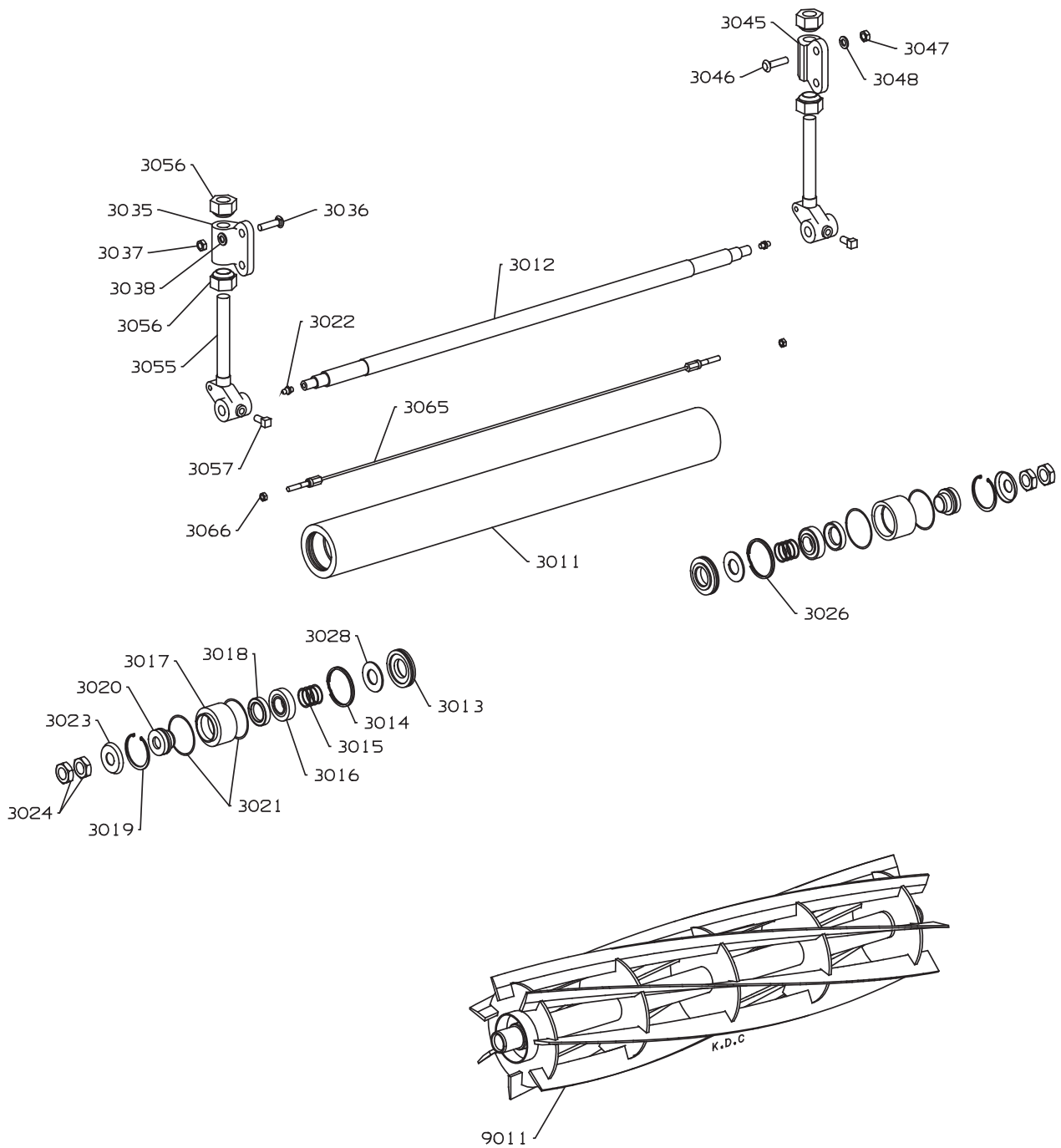


JACOBSEN FAIRWAY AND T-PLEX CUTTING UNIT

| ITEM | PART NO. | DESCRIPTION | QTY. | REMARKS |
|------|-------------|----------------------|------|----------------------------|
| 9011 | MBF0894A.07 | Cutting Cylinder 5K | 1 | (T-Plex 185 series ZX/LHD) |
| 9011 | MBF0895A.07 | Cutting Cylinder 7K | 1 | (T-Plex 185 series ZX/LHD) |
| 9011 | MBF0896A.07 | Cutting Cylinder 11K | 1 | (T-Plex 185 series ZX/LHD) |

JACOBSEN FAIRWAY AND T-PLEX CUTTING UNIT

CUTTING CYLINDER & FRONT PLAIN ROLL (FLOATING HEAD)

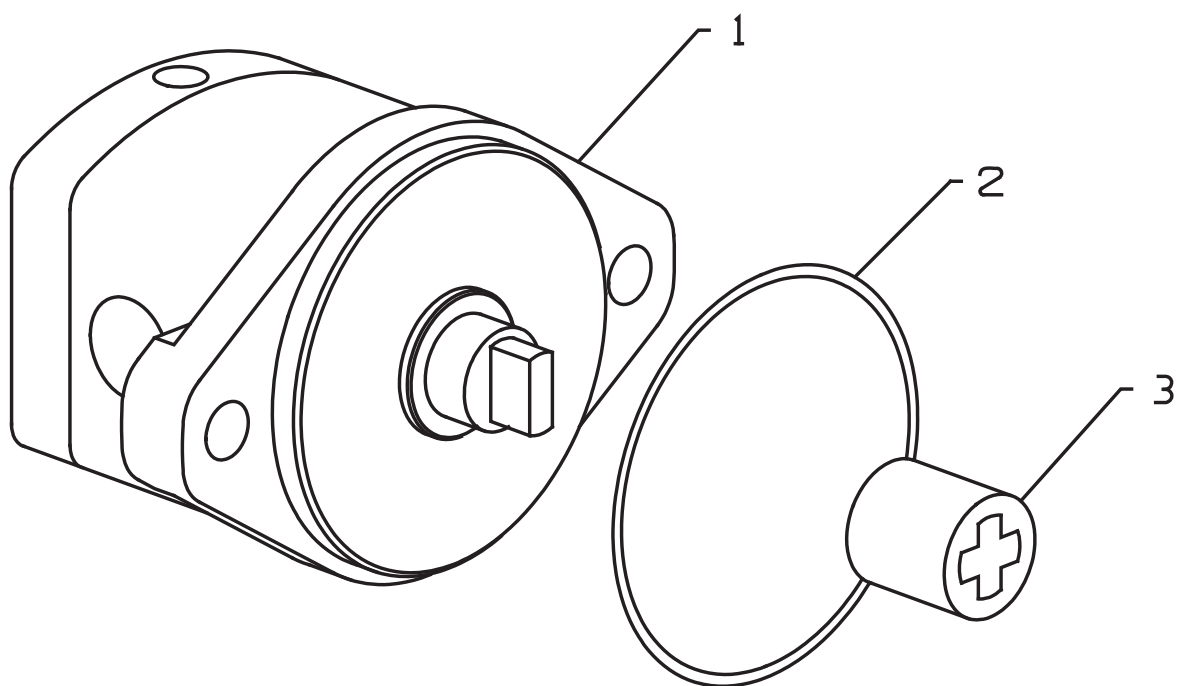


JACOBSEN FAIRWAY AND T-PLEX CUTTING UNIT

| ITEM | PART NO. | DESCRIPTION | QTY. | REMARKS |
|------|-------------|--------------------------|------|---------------------|
| | | Plain Roll Assy. | 1 | |
| 3011 | MBF0486 | • Roll Tube | 1 | |
| 3012 | MBG1210 | • Spindle | 1 | |
| 3013 | MBF0001 | • Ring Carrier | 2 | |
| 3014 | 002300130 | • Seal Ring | 1 | |
| 3015 | 002911150 | • Compression Spring | 2 | |
| 3016 | 002059297 | • Taper Roller Bearing | 2 | |
| 3017 | MBE2429 | • Bearing Housing | 2 | |
| 3018 | 002202540 | • Rotary Lip Seal | 2 | |
| 3019 | 451982 | • Circlip | 2 | |
| 3020 | MBE2430 | • Seal Journal | 2 | 002300210 Seal Ring |
| 3021 | 002211370 | • O Ring | 4 | |
| 3022 | 002993013 | • Lubricator | 2 | |
| 3023 | MBE2431B | • Shield | 2 | |
| 3024 | 450334 | • Thin Nut M16 | 4 | |
| 3026 | 002300210 | • Seal Ring | 1 | |
| 3028 | MBF0002 | • Washer | 2 | |
| 3035 | MBE3984 | Housing Front LH | 1 | |
| 3036 | 452565 | Bolt M8 x 30 | 1 | |
| 3037 | 450378 | Stiffnut M8 | 1 | |
| 3038 | 450390 | Washer 8mm | 1 | |
| 3045 | MBE3985 | Housing Front RH | 1 | |
| 3046 | 452565 | Bolt M8 x 30 | 1 | |
| 3047 | 450378 | Stiffnut M8 | 1 | |
| 3048 | 450390 | Washer 8mm | 1 | |
| 3055 | MBE3982 | Carriage Front | 2 | |
| 3056 | MBE4001 | Carriage Nut | 4 | |
| 3057 | 452464 | Screw M8 x 16 | 2 | |
| 3065 | 009067320 | Scraper cable | 1 | |
| 3066 | 450323 | Nut M6 | 2 | |
| 9011 | MBF0483B.07 | Cutting Cylinder 7k RHD | 1 | |
| * | MBF0671B.07 | Cutting Cylinder 7k LHD | 1 | |
| 9011 | MBF0484B.07 | Cutting Cylinder 11k RHD | 1 | |
| * | MBF0677B.07 | Cutting Cylinder 11k LHD | 1 | |

JACOBSEN FAIRWAY AND T-PLEX CUTTING UNIT

DRIVE ASSEMBLY (ULTRA)

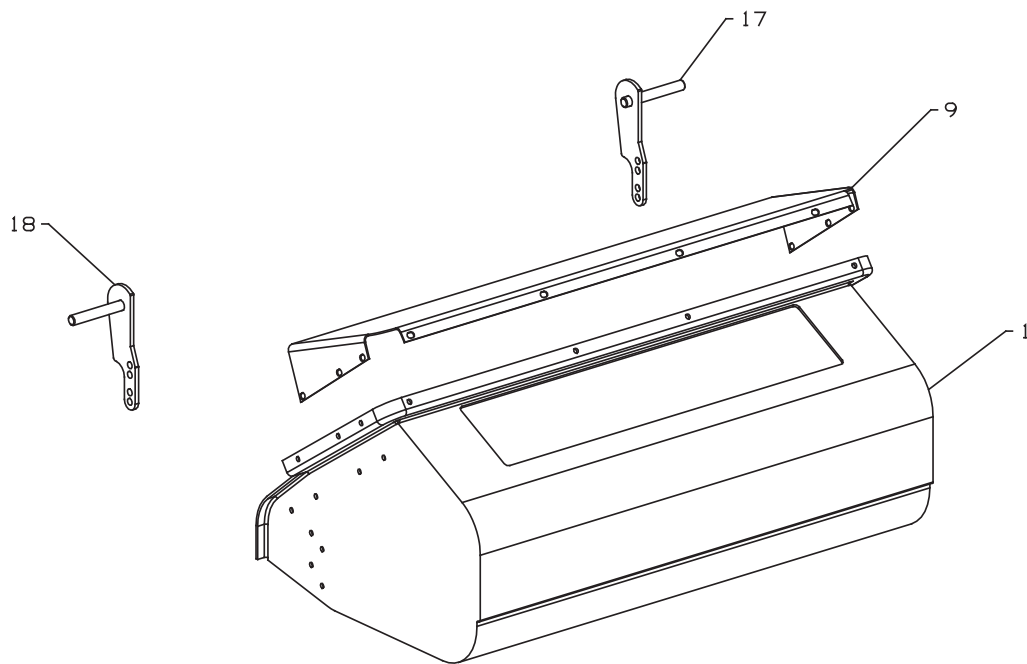
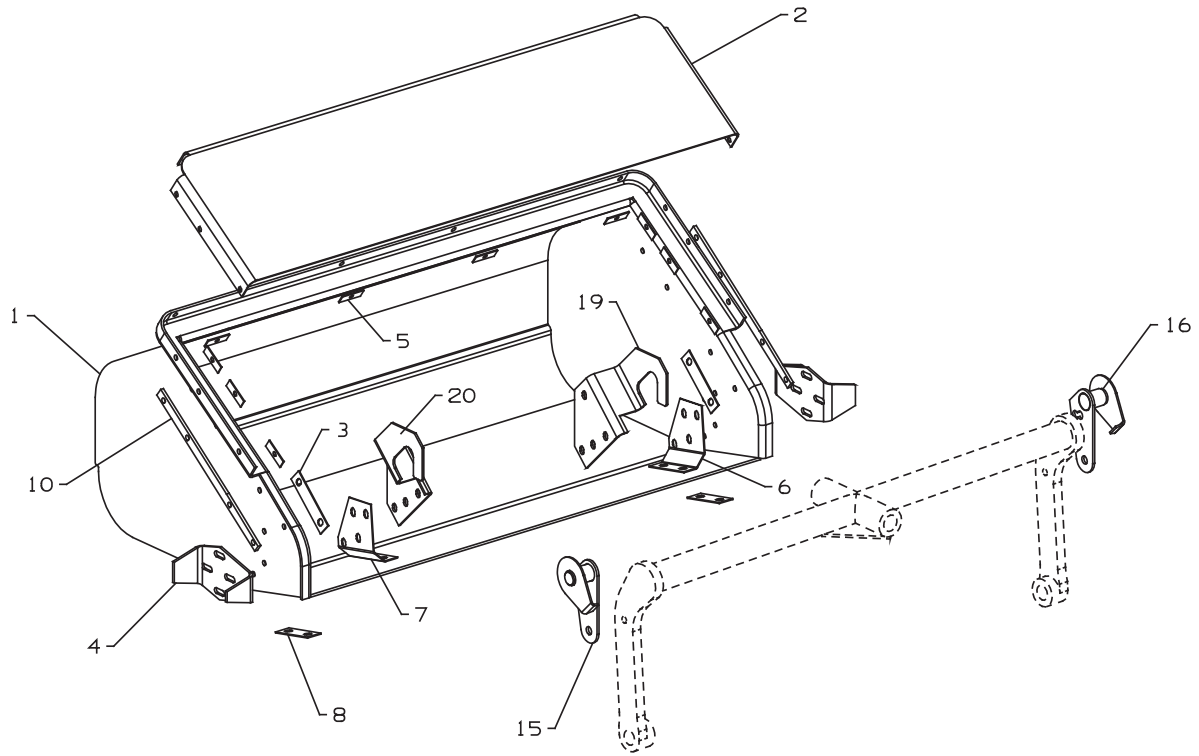


JACOBSEN FAIRWAY AND T-PLEX CUTTING UNIT

| ITEM | PART NO. | DESCRIPTION | QTY. | REMARKS |
|----------------------------------|-----------|-----------------------|------|--------------------------------|
| T-Plex 185 series ZX/ZY | | | | |
| 1 | 008000700 | Hydraulic Motor | 1 | T-Plex 185 series ZX, RHD / ZY |
| 1 | 008006210 | Hydraulic Motor | 1 | T-Plex 185 series ZX, LHD |
| 2 | 002210310 | Sealing O ' Ring | 1 | |
| 3 | 008089140 | Drive Coupling (Tang) | 1 | |
| * | 008096158 | Seal Kit | 1 | |
| Fairway 305 | | | | |
| 1 | 008000400 | Hydraulic Motor | 1 | |
| 2 | 002210310 | Sealing O ' Ring | 1 | |
| 3 | 008089140 | Drive Coupling (Tang) | 1 | |
| * | 008096158 | Seal Kit | 1 | |
| Fairway 305 | | | | |
| 1 | 008000410 | Hydraulic Motor | 1 | |
| 2 | 002210310 | Sealing O ' Ring | 1 | |
| 3 | 008089140 | Drive Coupling (Tang) | 1 | |
| * | 008096158 | Seal Kit | 1 | |
| Fairway 405 / Fairway 250 | | | | |
| 1 | W2208040 | Hydraulic Motor | 1 | |
| 2 | 002210310 | Sealing O ' Ring | 1 | |
| 3 | 008089140 | Drive Coupling (Tang) | 1 | |
| * | 008096158 | Seal Kit | 1 | |
| Fairway 405 / Fairway 250 | | | | |
| 1 | W2208062 | Hydraulic Motor | 1 | |
| 2 | 002210310 | Sealing O ' Ring | 1 | |
| 3 | 008089140 | Drive Coupling (Tang) | 1 | |
| * | 008096158 | Seal Kit | 1 | |
| TR3 | | | | |
| 1 | 4140034 | Hydraulic Motor | 1 | |
| 2 | 002210310 | Sealing O ' Ring | 1 | |
| 3 | MBF1273A | Drive Coupling (Tang) | 1 | |
| * | 008096158 | Seal Kit | 1 | |

JACOBSEN FAIRWAY AND T-PLEX CUTTING UNIT

GRASSBOX AND FIXINGS, T-Plex 185 series ZX



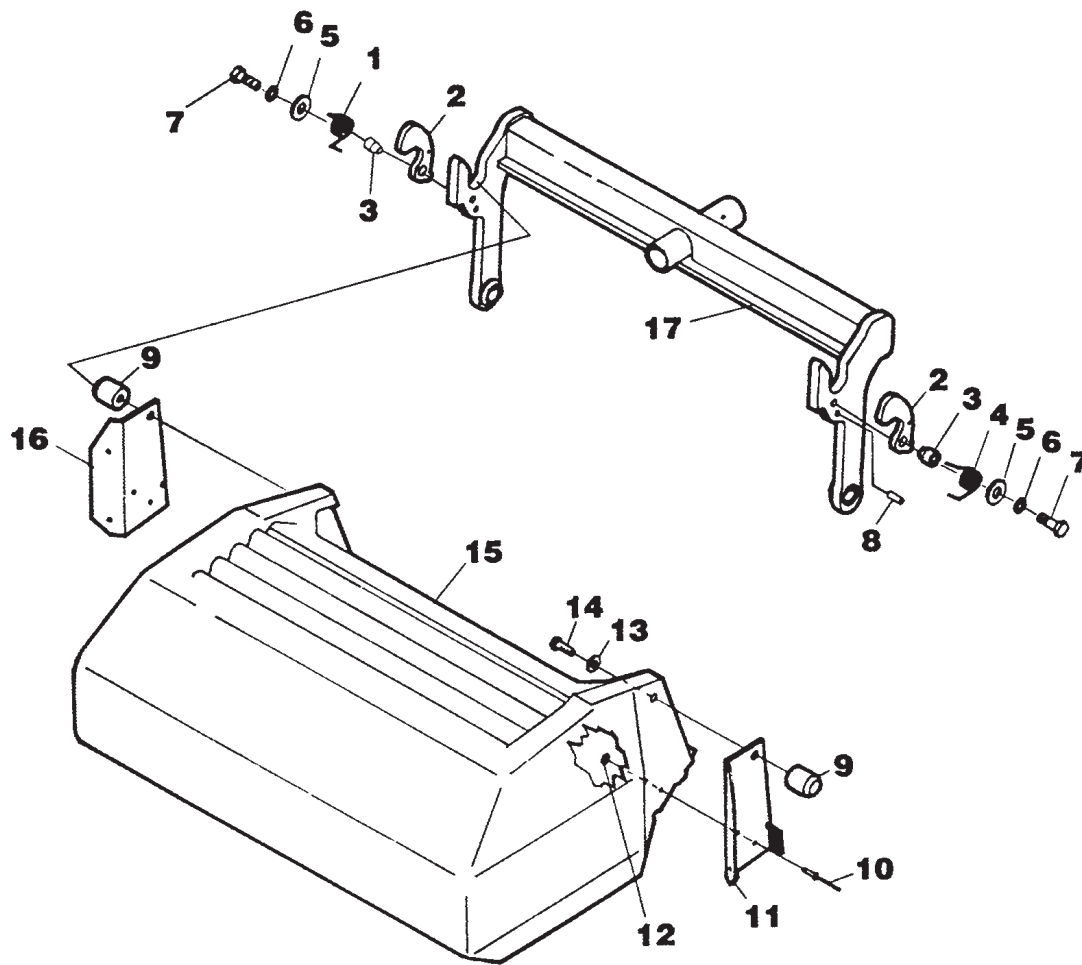
JACOBSEN FAIRWAY AND T-PLEX CUTTING UNIT

| ITEM | PART NO. | DESCRIPTION | QTY. | REMARKS |
|------|--------------|------------------------------|------|---------|
| | LMAB484 | Grassbox Kit | | |
| 1 | 699533788.11 | Grass Box With Screen | 3 | |
| 2 | W106172.06 | Stiffener | 2 | |
| 3 | MBC1629 | Backing Plate | 12 | |
| 4 | MBC8114a | Stop Plate | 6 | |
| 5 | MBC8940 | Backing Plate | 30 | |
| 6 | MBC1617 | Corner Plate R.H. | 3 | |
| 7 | MBC1618 | Corner Plate L.H. | 3 | |
| 8 | MBC1630 | Backing Plate | 6 | |
| 9 | BAM2245.06 | Stiffener | 1 | |
| 10 | BAM2288.06 | Brace | 6 | |
| 11 | 456110016 | Screw, 1/4" Unc X 3/4" Long | 18 | |
| 12 | 456110189 | Screw, 5/16" Unc X 3/4" Long | 4 | |
| 13 | 451112526 | Bolt 5/16"Unc X 2" Hex Head | 4 | |
| 14 | 001399121 | Nut, 1/4 Unc | 18 | |
| 15 | MBF1318A.07 | Grassbox Bracket LH | 2 | |
| 16 | MBF1321A.07 | Grassbox Bracket RH | 2 | |
| 17 | MBF1337.07 | Grassbox Mount RH | 1 | |
| 18 | MBF1336.07 | Grassbox Mount LH | 1 | |
| 19 | MBF1341 | Hook-Front RH | 3 | |
| 20 | MBF1343 | Hook-Front LH | 3 | |
| 21 | 001393222 | Nut, 5/16 Unc | 4 | |
| 23* | 450390 | Washer, M8 | 4 | |
| 24* | 001496230 | Rivet 3/16" | 30 | |
| 25* | 001496222 | Rivet 1/4" | 42 | |
| 26* | 452000211 | Washer 1/4" | 42 | |
| 27* | MBF1789.07 | Grassbox Bracket RH | 1 | |
| 28* | MBF1790.07 | Grassbox Bracket LH | 1 | |

* Not Illustrated

JACOBSEN FAIRWAY AND T-PLEX CUTTING UNIT

GRASSBOX AND FIXINGS, Fairway 250, 305, 405

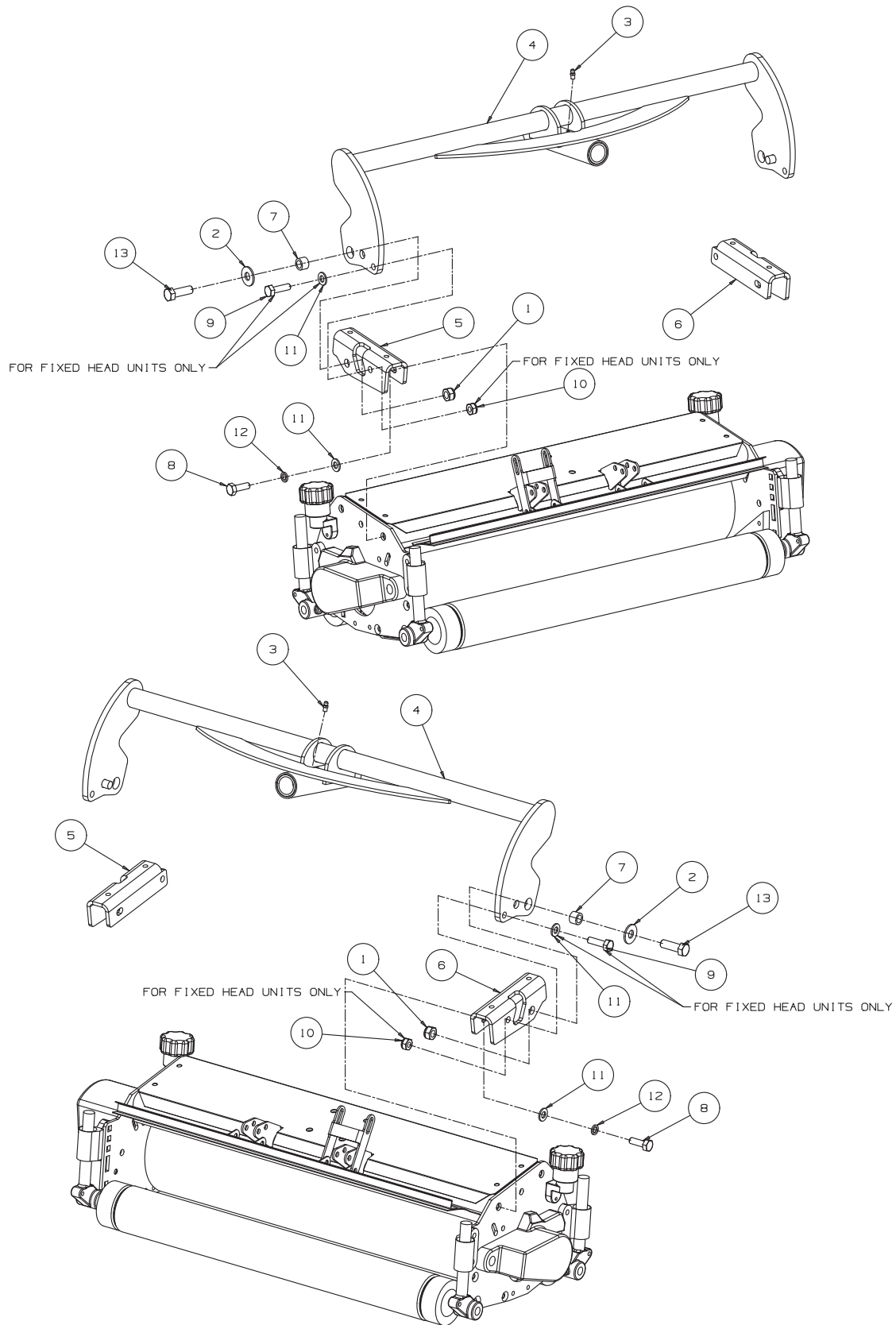


JACOBSEN FAIRWAY AND T-PLEX CUTTING UNIT

| ITEM | PART NO. | DESCRIPTION | QTY. | REMARKS |
|------|-------------|----------------------|------|---------|
| 1 | 2208014 | Latch Spring Lh | 1 | |
| 2 | 2202019 | Latch Catcher | 2 | |
| 3 | 2203029 | Bushing | 2 | |
| 4 | 2208015 | Latch Spring Rh | 2 | |
| 5 | 64163-29 | Washer | 2 | |
| 6 | 450411 | S.I.washer | 2 | |
| 7 | 450015 | Bolt M8 X 35 | 2 | |
| 8 | 64061-34 | Roll Pin | 2 | |
| 9 | 2203030 | Pin Catcher | 2 | |
| 10 | 64215-03 | Pop Rivet | 8 | |
| 11 | 2202024 | Plate | 1 | |
| 12 | 64211-02 | Washer | 8 | |
| 13 | 64163-61 | Washer | 2 | |
| 14 | 450213 | Screw M10 X 20 | 2 | |
| 15 | 4115968 | Grass Box 22" - Grey | 1 | |
| 15 | 4115969 | Grass Box 26" - Grey | 1 | |
| 16 | 2202023 | Plate-Catcher RH | 1 | |
| 17 | 2206042B.07 | Yoke | 1 | |

JACOBSEN FAIRWAY AND T-PLEX CUTTING UNIT

CUTTING UNIT FIXINGS, TR3 LEFT & RIGHT HAND FRONT UNITS

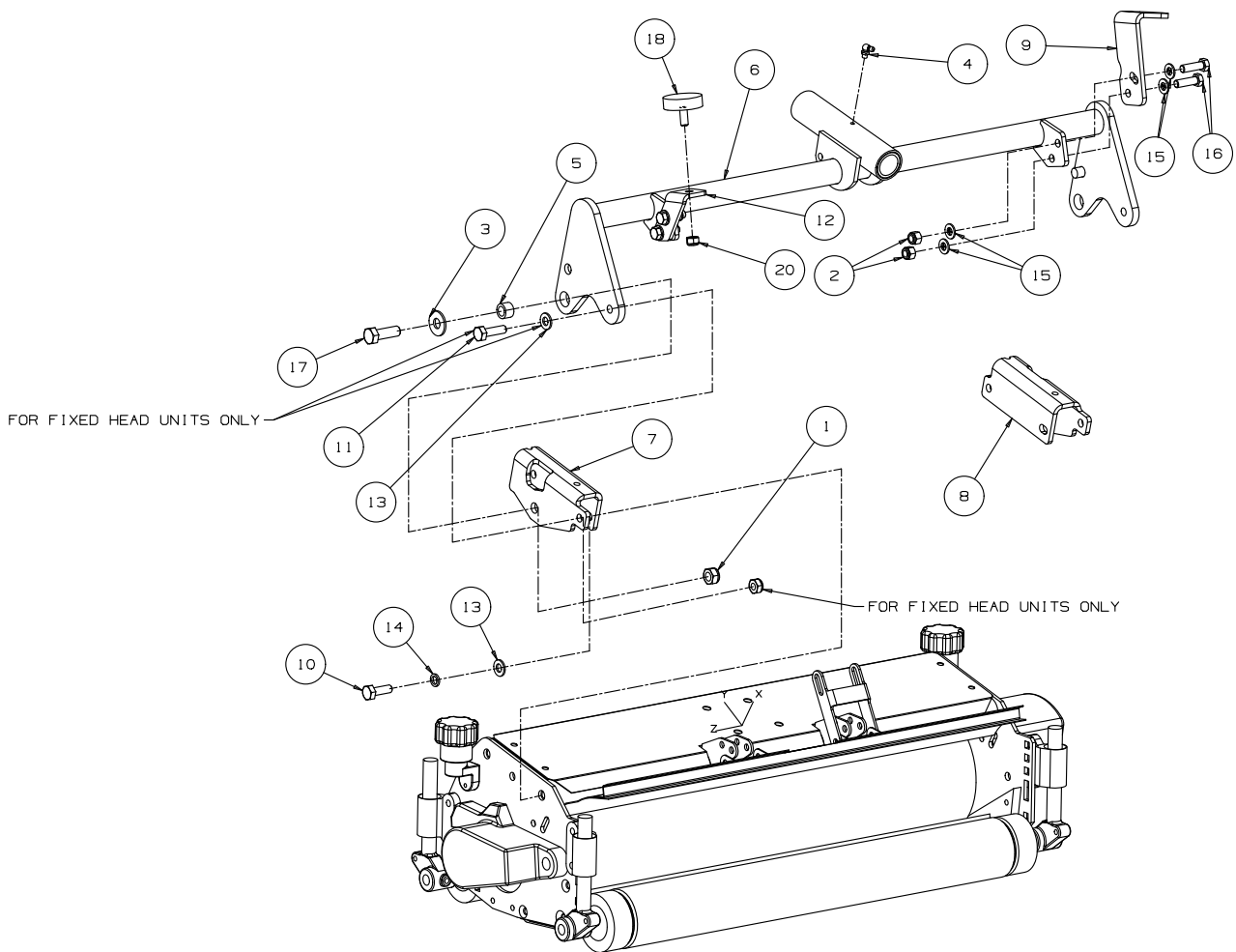


JACOBSEN FAIRWAY AND T-PLEX CUTTING UNIT

| ITEM | PART NO. | DESCRIPTION | QTY. | REMARKS |
|------|-----------|----------------------------------|------|---------|
| | | Pivot Arm Left Hand Front | | |
| 1 | 001399032 | Nut-Hex 1/2-20 Nyloc | 2 | |
| 2 | 001599052 | Washer- .526-.506 x 1-1/4 x 12GA | 2 | |
| 3 | 002993013 | Lubricator - M6 STR | 1 | |
| 4 | 4139256 | Wldmt-Pivot Arm Left Hand | 1 | |
| 5 | 4139281 | Bracket-Left Hand Pivot Arm | 1 | |
| 6 | 4139349 | Bracket-Right Hand Pivot Arm | 1 | |
| 7 | 4139374 | Spacer-1/2 x 3/4 x 1/2 | 2 | |
| 8 | 450215 | Screw-Hex M10 x 30 | 4 | |
| 9 | 450216 | Screw-Hex M10 x 35 | 2 | |
| 10 | 450379 | Nut-Hex M10 Nyloc | 2 | |
| 11 | 450391 | Washer-M10 x 21 x 2.2 | 6 | |
| 12 | 450412 | Washer-SLW M10 | 4 | |
| 13 | 456010577 | Screw-Hex 1/2-20 x 1-1/2 | 2 | |
| | | Pivot Arm Right Hand Front | | |
| 1 | 001399032 | Nut-Hex 1/2-20 Nyloc | 2 | |
| 2 | 001599052 | Washer- .526-.506 x 1-1/4 x 12GA | 2 | |
| 3 | 002993013 | Lubricator - M6 STR | 1 | |
| 4 | 4139257 | Wldmt-Pivot Arm Right Hand | 1 | |
| 5 | 4139281 | Bracket-Left Hand Pivot Arm | 1 | |
| 6 | 4139349 | Bracket-Right Hand Pivot Arm | 1 | |
| 7 | 4139374 | Spacer-1/2 x 3/4 x 1/2 | 2 | |
| 8 | 450215 | Screw-Hex M10 x 30 | 4 | |
| 9 | 450216 | Screw-Hex M10 x 35 | 2 | |
| 10 | 450379 | Nut-Hex M10 Nyloc | 2 | |
| 11 | 450391 | Washer-M10 x 21 x 2.2 | 6 | |
| 12 | 450412 | Washer-SLW M10 | 4 | |
| 13 | 456010577 | Screw-Hex 1/2-20 x 1-1/2 | 2 | |

JACOBSEN FAIRWAY AND T-PLEX CUTTING UNIT

CUTTING UNIT FIXINGS, TR3 CENTRE UNITS

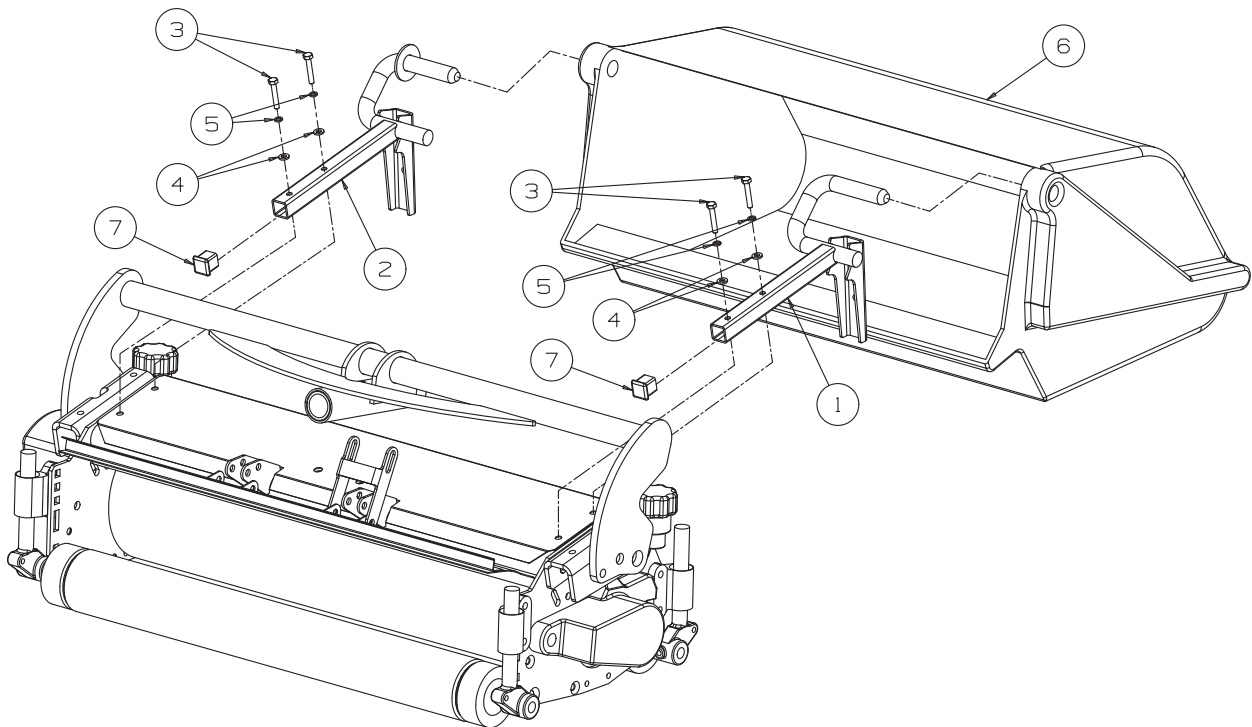
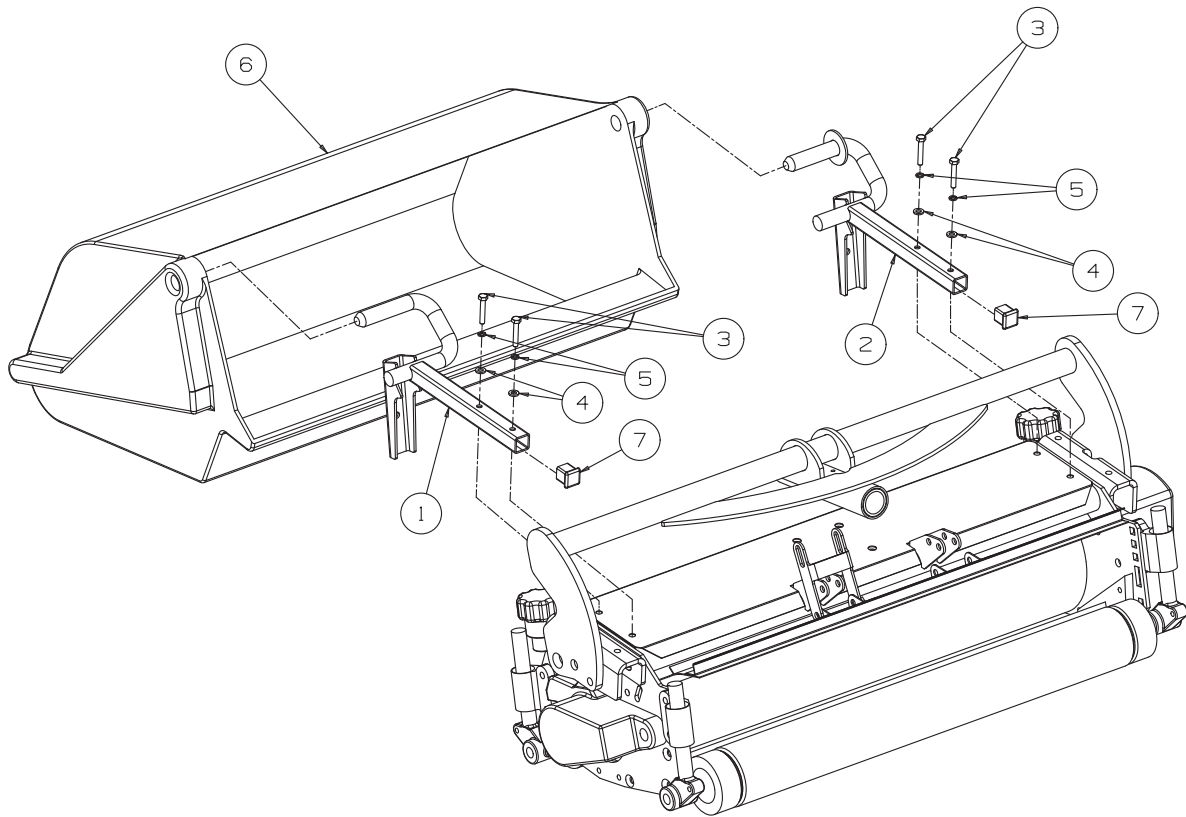


JACOBSEN FAIRWAY AND T-PLEX CUTTING UNIT

| ITEM | PART NO. | DESCRIPTION | QTY. | REMARKS |
|------|-----------|----------------------------------|------|---------|
| | | Pivot Arm Centre Unit | | |
| 1 | 001399032 | Nut-Hex 1/2-20 Nyloc | 2 | |
| 2 | 001399105 | Nut-Hex 3/8-24 Nyloc | 4 | |
| 3 | 001599052 | Washer- .526-.506 x 1-1/4 x 12GA | 2 | |
| 4 | 002993160 | Lubricator M6 x 90 deg | 1 | |
| 5 | 4139374 | Spacer-1/2 x 3/4 x 1/2 | 2 | |
| 6 | 4139591 | Wldmt-Pivot Arm Centre Deck | 1 | |
| 7 | 4140077 | Bracket-Left Hand Centre Pivot | 1 | |
| 8 | 4140078 | Bracket-Right Hand Centre Pivot | 1 | |
| 9 | 4142386 | Bracket-Centre Unit Stop | 1 | |
| 10 | 450215 | Screw-Hex M10 x 30 | 4 | |
| 11 | 450216 | Screw-Hex M10 x 35 | 2 | |
| 12 | 4139923 | Centre Unit Bump Bracket | 1 | |
| 13 | 450391 | Washer-M10 x 21 x 2.2 | 6 | |
| 14 | 450412 | Washer-SLW M10 | 4 | |
| 15 | 452000326 | Washer - 3/8 x 3/4 x .072 | 8 | |
| 16 | 456010420 | Screw-Hex 3/8-24 x 1-1/2 | 4 | |
| 17 | 456010577 | Screw-Hex 1/2-20 x 1-1/2 | 2 | |
| 18 | J361723 | Bump Stop | 1 | |
| 19 | 450379 | Nut-Hex M10 Nyloc | 2 | |
| 20 | 450120398 | Nut-Hex 3/8-16 Nyloc Thin | 1 | |

JACOBSEN FAIRWAY AND T-PLEX CUTTING UNIT

GRASSBOX & FIXINGS, TR3 LEFT & RIGHT HAND FRONT UNITS (LMAC193)

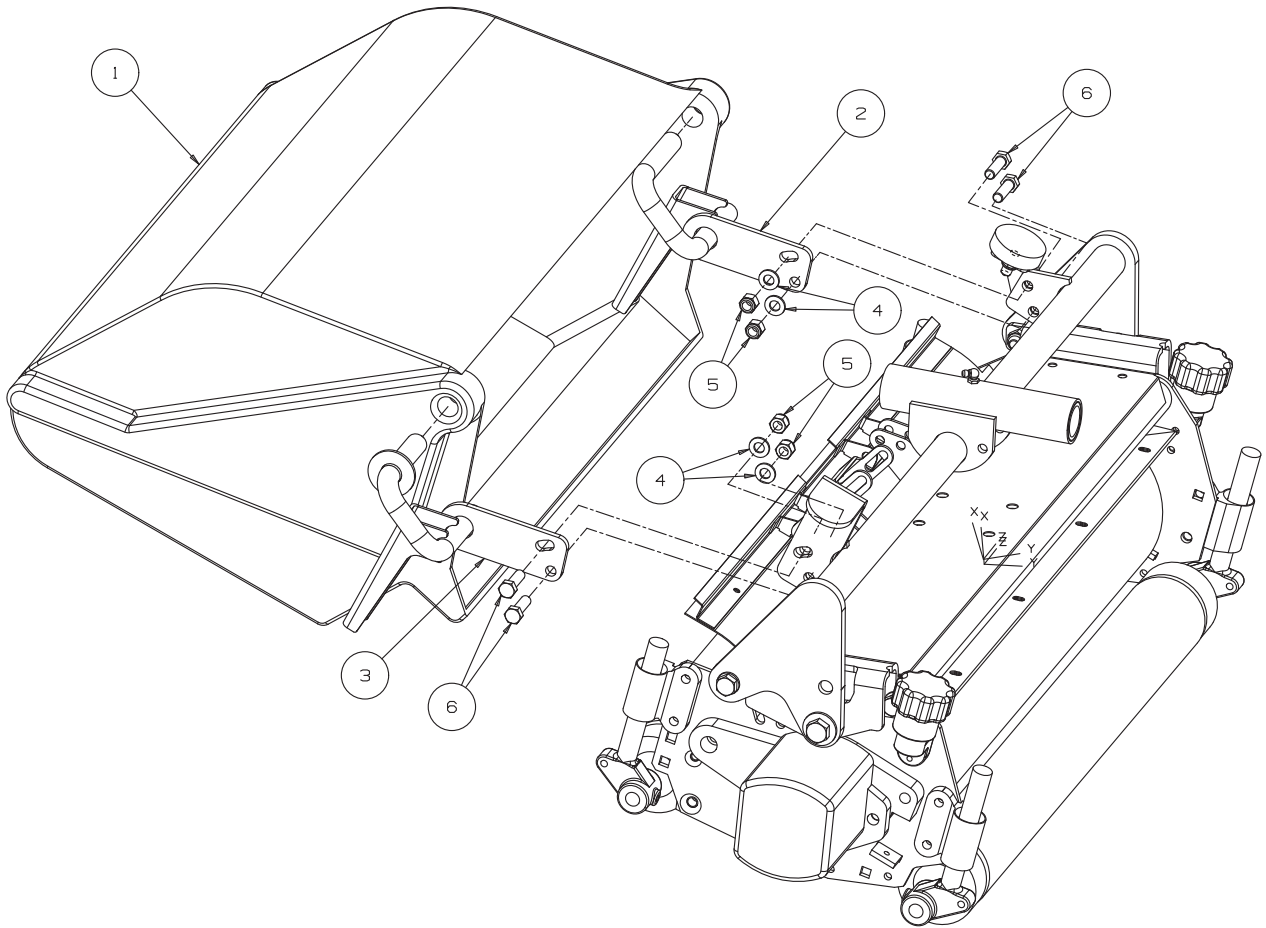


JACOBSEN FAIRWAY AND T-PLEX CUTTING UNIT

| ITEM | PART NO. | DESCRIPTION | QTY. | REMARKS |
|-------------|-----------------|-----------------------------|-------------|----------------|
| | | Left Hand Front Grassbox | | |
| 1 | 4139527 | Wldmt-Grassbox Arm LH Outer | 1 | |
| 2 | 4139528 | Wldmt-Grassbox Arm LH Inner | 1 | |
| 3 | 450002 | Bolt-Hex M6 x 35 | 4 | |
| 4 | 450389 | Washer-M6 x 12.5 x 1.8 | 4 | |
| 5 | 450410 | Washer-SLW M6 | 4 | |
| 6 | 3007844 | Grassbox | 1 | |
| 7 | 002952722 | End Cap-22 x 22 x 2 | 2 | |
| | | Right Hand Front Grassbox | | |
| 1 | 4139529 | Wldmt-Grassbox Arm RH Outer | 1 | |
| 2 | 4139530 | Wldmt-Grassbox Arm RH Inner | 1 | |
| 3 | 450002 | Bolt-Hex M6 x 35 | 4 | |
| 4 | 450389 | Washer-M6 x 12.5 x 1.8 | 4 | |
| 5 | 450410 | Washer-SLW M6 | 4 | |
| 6 | 3007844 | Grassbox | 1 | |
| 7 | 002952722 | End Cap-22 x 22 x 2 | 2 | |

JACOBSEN FAIRWAY AND T-PLEX CUTTING UNIT

GRASSBOX & FIXINGS, TR3 CENTRE UNIT (LMAC193)

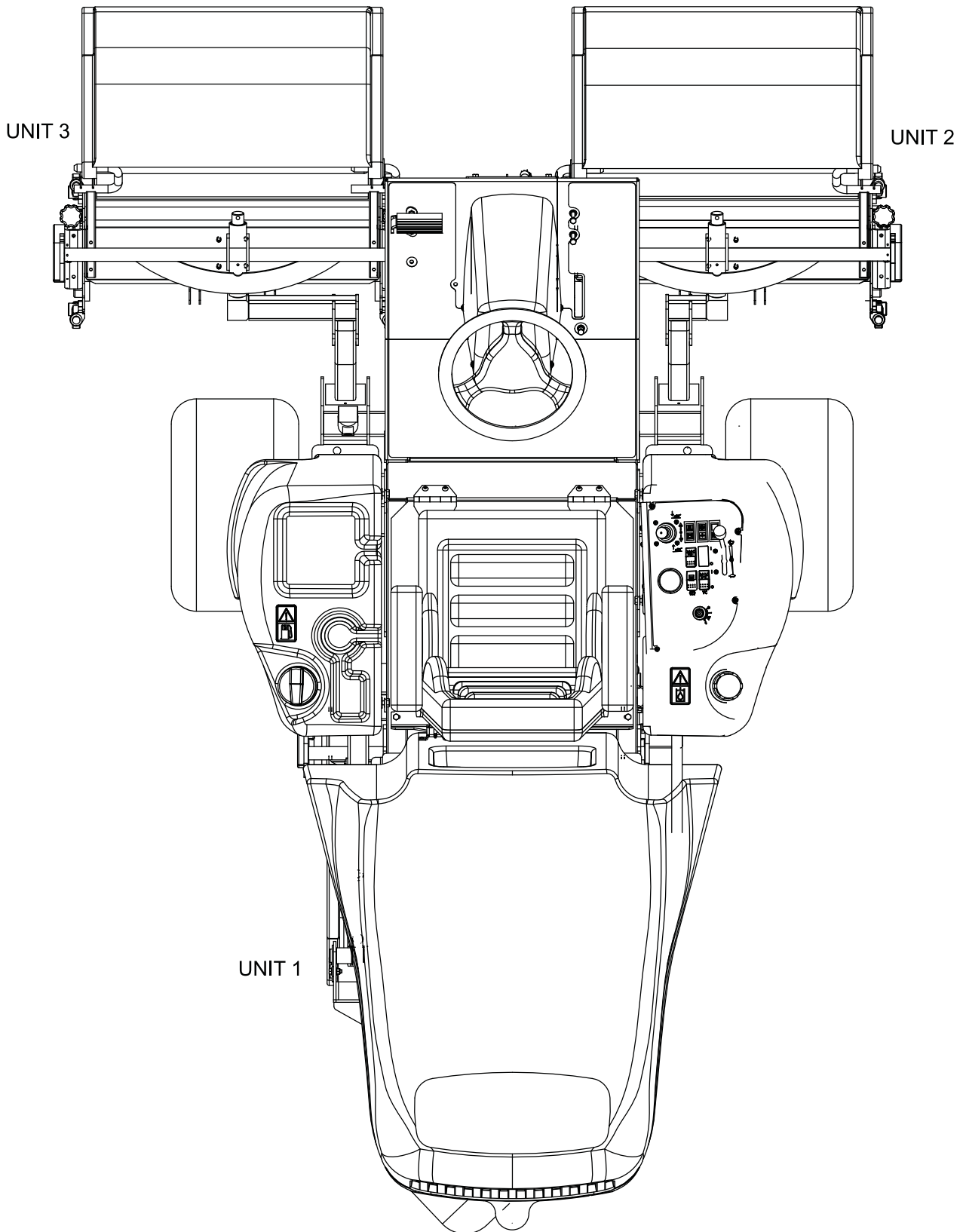


JACOBSEN FAIRWAY AND T-PLEX CUTTING UNIT

| ITEM | PART NO. | DESCRIPTION | QTY. | REMARKS |
|------|-----------|----------------------------------|------|---------|
| 1 | 3007844 | Centre Unit Grassbox Grassbox | 1 | |
| 2 | 4140185 | Wldmt-Grassbox Centre Unit LH | 1 | |
| 3 | 4140186 | Wldmt-Grassbox Centre Unit RH | 1 | |
| 4 | 452000326 | Washer-3/8 x 3/4 x .072 | 4 | |
| 5 | 001399105 | Nut-Hex 3/8-24 Nyloc | 4 | |
| 6 | 456010420 | Screw-Hex 3/8-24 x 1-1/4 | 4 | |

JACOBSEN FAIRWAY AND T-PLEX CUTTING UNIT

TR3 CUTTING UNIT IDENTIFICATION

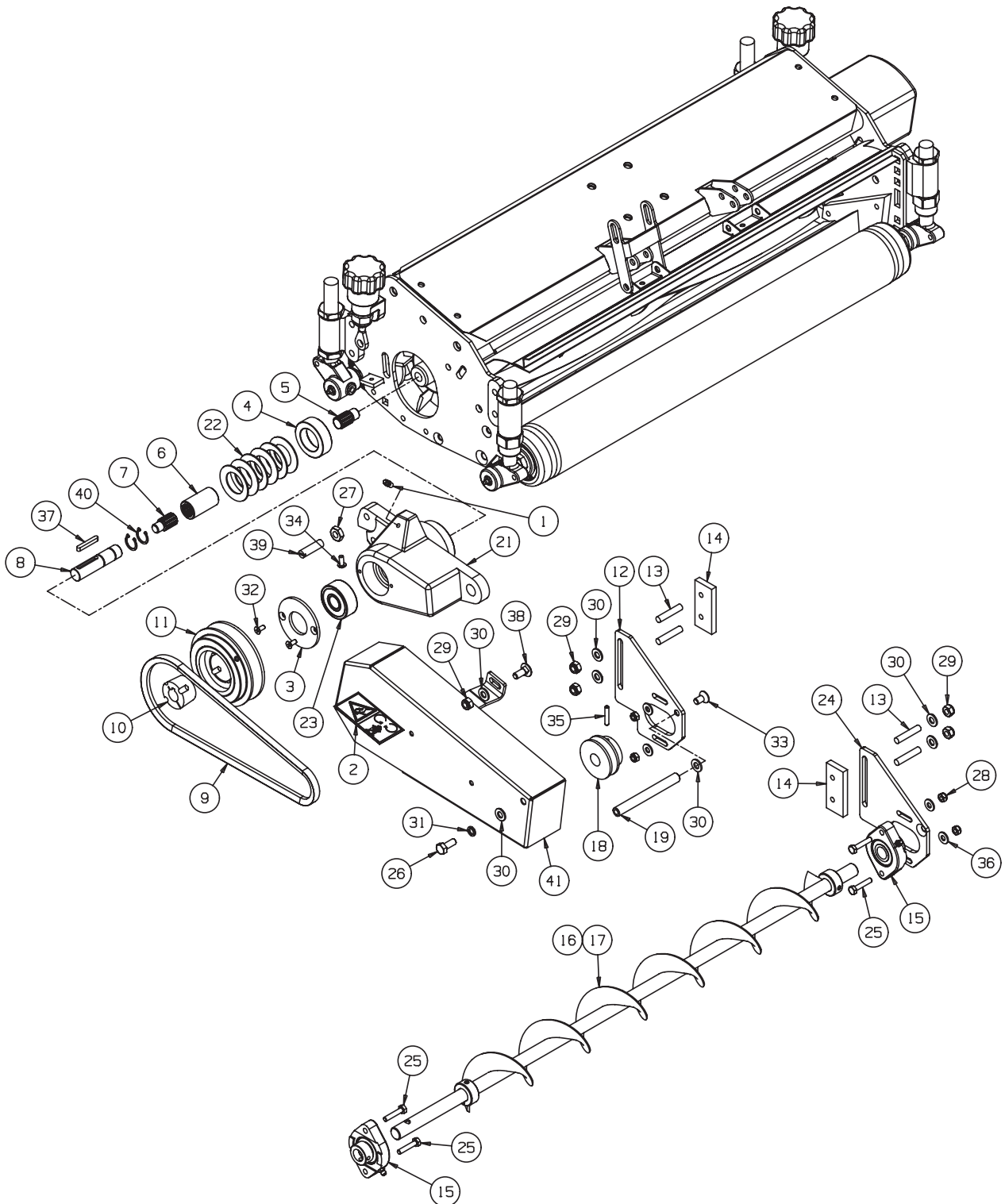


JACOBSEN FAIRWAY AND T-PLEX CUTTING UNIT

| CUTTING UNIT SERIAL NUMBER PREFIX | DESCRIPTION |
|--|--|
| <p>FD100### FE100### FC100### FF100###</p> <p>FD200### FE200### FC200### FF200###</p> <p>FD300### FE300### FC300### FF300###</p> | <p>UNIT 1 = Center Unit 5 Knife Fixed Head Unit Right Hand Drive 5 Knife Floating Head Unit Right Hand Drive 7 Knife Floating Head Unit Right Hand Drive 11 Knife Floating Head Unit Right Hand Drive</p> <p>UNIT 2 =Right Hand Unit 5 Knife Fixed Head Unit Left Hand Drive 5 Knife Floating Head Unit Left Hand Drive 7 Knife Floating Head Unit Left Hand Drive 11 Knife Floating Head Unit Left Hand Drive</p> <p>UNIT 3 =Left Hand Unit 5 Knife Fixed Head Unit Right Hand Drive 5 Knife Floating Head Unit Right Hand Drive 7 Knife Floating Head Unit Right Hand Drive 11 Knife Floating Head Unit Right Hand Drive</p> |

JACOBSEN FAIRWAY AND T-PLEX CUTTING UNIT

REAR ROLL BRUSH KIT FOR 22" & 26" RH DRIVE UNIT



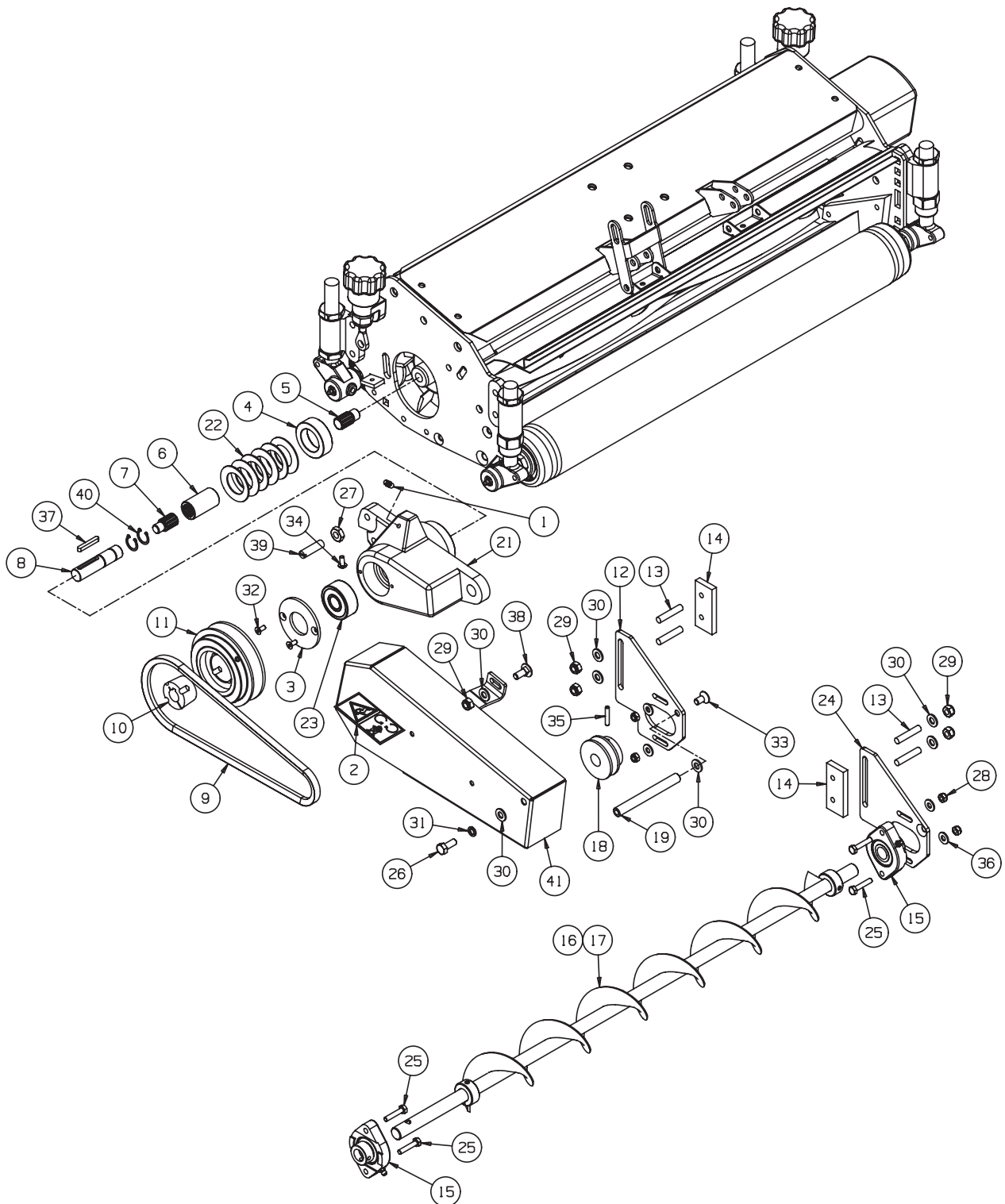
JACOBSEN FAIRWAY AND T-PLEX CUTTING UNIT

| ITEM | PART NO. | DESCRIPTION | QTY. | REMARKS |
|------|-----------|------------------------------------|------|-------------------------------|
| | LMAC183 | Kit-Rear Roller Brush | 1 | For 22" RH Drive Cutting Unit |
| | LMAC185 | Kit-Rear Roller Brush | 1 | For 26" RH Drive Cutting Unit |
| 1 | 002993013 | • Lubricator-M6 Str | 1 | |
| 2 | 009034900 | • Decal-Belt | 1 | |
| 3 | 4139870 | • Cover | 1 | |
| 4 | 4139871 | • Thrust Ring | 1 | |
| 5 | 4139872 | • Splined Drive, M14 RH Thread | 1 | |
| 6 | 4139873 | • Sleeve | 1 | |
| | LMSE199 | • Shaft-Splined Drive | 1 | comprising 4139874 + 4139875 |
| 7 | 4139874 | •• Splined Drive, M12 RH Thread | 1 | |
| 8 | 4139875 | •• Shaft, Drive Pulley, M12 RH Thd | 1 | |
| 9 | 4139876 | • Drive Belt | 1 | |
| 10 | 4139877 | • Taper Lock, Drive Pulley | 1 | |
| 11 | 4139878 | • Pulley | 1 | |
| 12 | 4139880 | • Mounting Plate LH | 1 | |
| 13 | 4139881 | • Stud M8 x 40 | 4 | |
| 14 | 4139882 | • Plate, Tapped M8 | 2 | |
| 15 | 4139884 | • Flange Bearing | 2 | |
| 16 | 4139885 | • Brush Shaft (723mm Lg) | 1 | For 22" Cutting Unit |
| 17 | 4139886 | • Brush Shaft (823 mm Lg) | 1 | For 26" Cutting Unit |
| 18 | 4139887 | • Pulley, Brush | 1 | |
| 19 | 4139888 | • Distance Piece | 1 | |
| 20 | 4139889 | • Belt Guard LH | 1 | |
| 21 | 4141109 | • Housing-Cyl, LH | 1 | |
| 22 | 4141465 | • Sprg-Disc 30 x 50 x 1.5 | 6 | |
| 23 | 4141505 | • Brg-Align 17 x 47 x 19 | 1 | |
| 24 | 4141566 | • Mounting Plate | 1 | |
| 25 | 450001 | • Bolt-Hex M6 x 30 | 4 | |
| 26 | 450191 | • Scrw-Hex M8 x 20 | 1 | |
| 27 | 450332 | • Nut-Hex M10 Thin | 1 | |
| 28 | 450377 | • Nut-Hex M6 Nyloc | 4 | |
| 29 | 450378 | • Nut-Hex M8 Nyloc | 5 | |
| 30 | 450390 | • Wshr-M8 x 17 x 1.8 | 6 | |
| 31 | 450411 | • Lockwshr-M8 x 12.75 x 2 | 1 | |
| 32 | 450605 | • Scrw-Csk M5 x 12 | 2 | |
| 33 | 450864 | • Scrw-Sckt Csk M8 x 16 | 1 | |
| 34 | 451153 | • Scrw-Pan Hd No.12 x 13 | 1 | |
| 35 | 451659 | • Pin-Tension 5 x 28 | 1 | |
| 36 | 452100019 | • Wshr-1/4 x 5/8 x 0.064 | 4 | |
| 37 | 452167 | • Key-5 x 5 x 36 | 1 | |
| 38 | 452563 | • Bolt-Crg M8 x 20 | 1 | |
| 39 | MBE2659 | • Pivot Stud | 1 | |
| 40 | 452042 | • Circlip-Exp 17 x 1 T | 2 | |

* Not Illustrated

JACOBSEN FAIRWAY AND T-PLEX CUTTING UNIT

REAR ROLL BRUSH KIT FOR 22" & 26" RH DRIVE UNIT



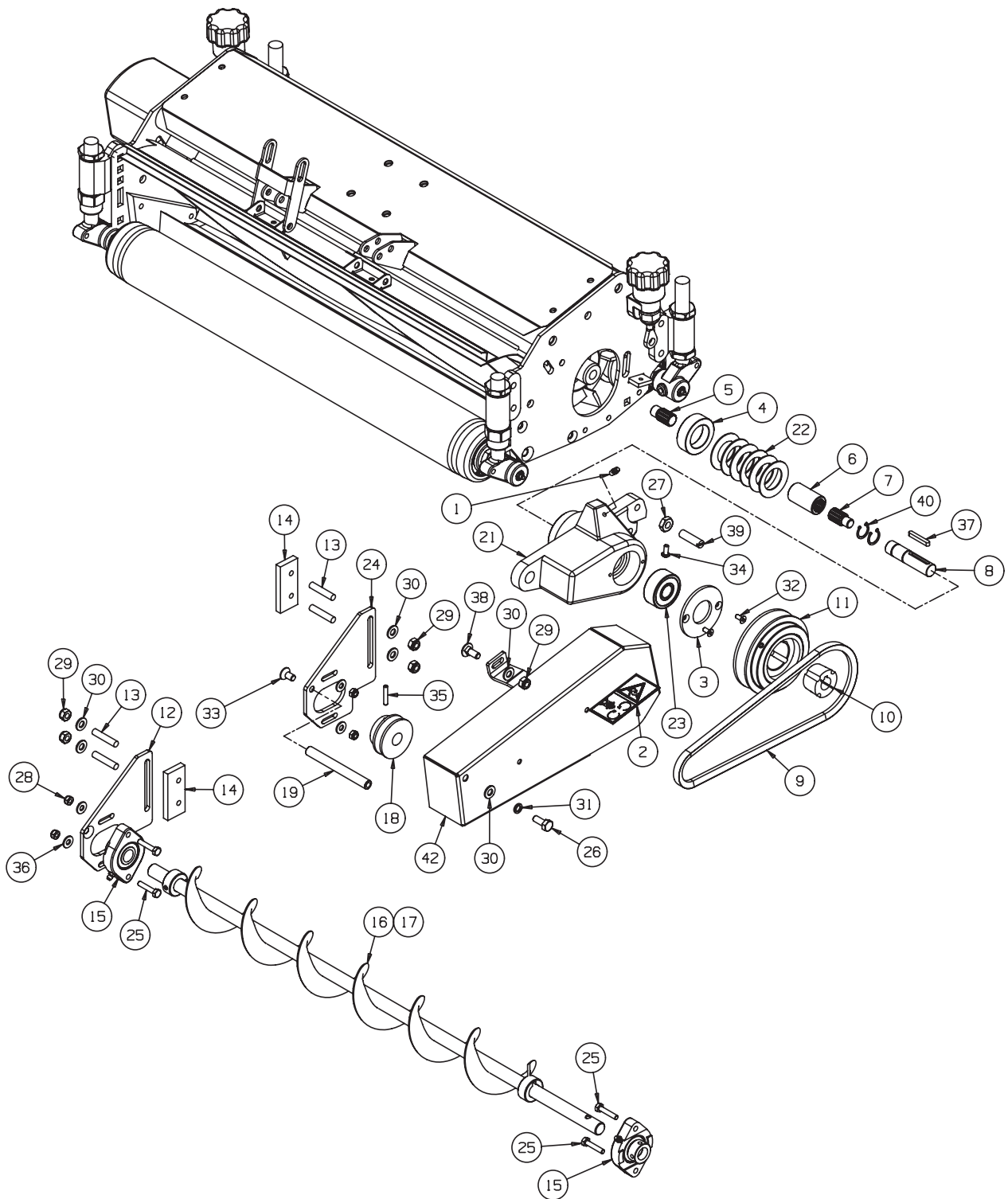
JACOBSEN FAIRWAY AND T-PLEX CUTTING UNIT

| ITEM | PART NO. | DESCRIPTION | QTY. | REMARKS |
|------|-----------|-----------------------------|------|----------------------------|
| 41 | 4149657 | Belt Guard | 1 | |
| 42* | 523126 | Bump Stop | 1 | LMAC-185 - 405-F (Only) |
| 43* | 450020257 | 5/16" Nut | 1 | LMAC-185 - 405-F (Only) |
| 44 | MBG5315 | Stop (Wide) | 1 | LMAC-185 - 405-F (Only) |
| | LMAC233 | KIT - LH Footstep Extension | 1 | Supplied with LMAC185 only |
| | 4149162 | LH Footstep tube | 1 | (not illustrated) |
| | 4149161 | Extended Footstep Assy | 1 | |
| | 450033 | M10 x 55 Hex HD Bolt | 2 | |
| | 450379 | M10 Nyloc Nut | 2 | |

* Not Illustrated

JACOBSEN FAIRWAY AND T-PLEX CUTTING UNIT

REAR ROLL BRUSH KIT FOR 22" & 26" LH DRIVE UNIT



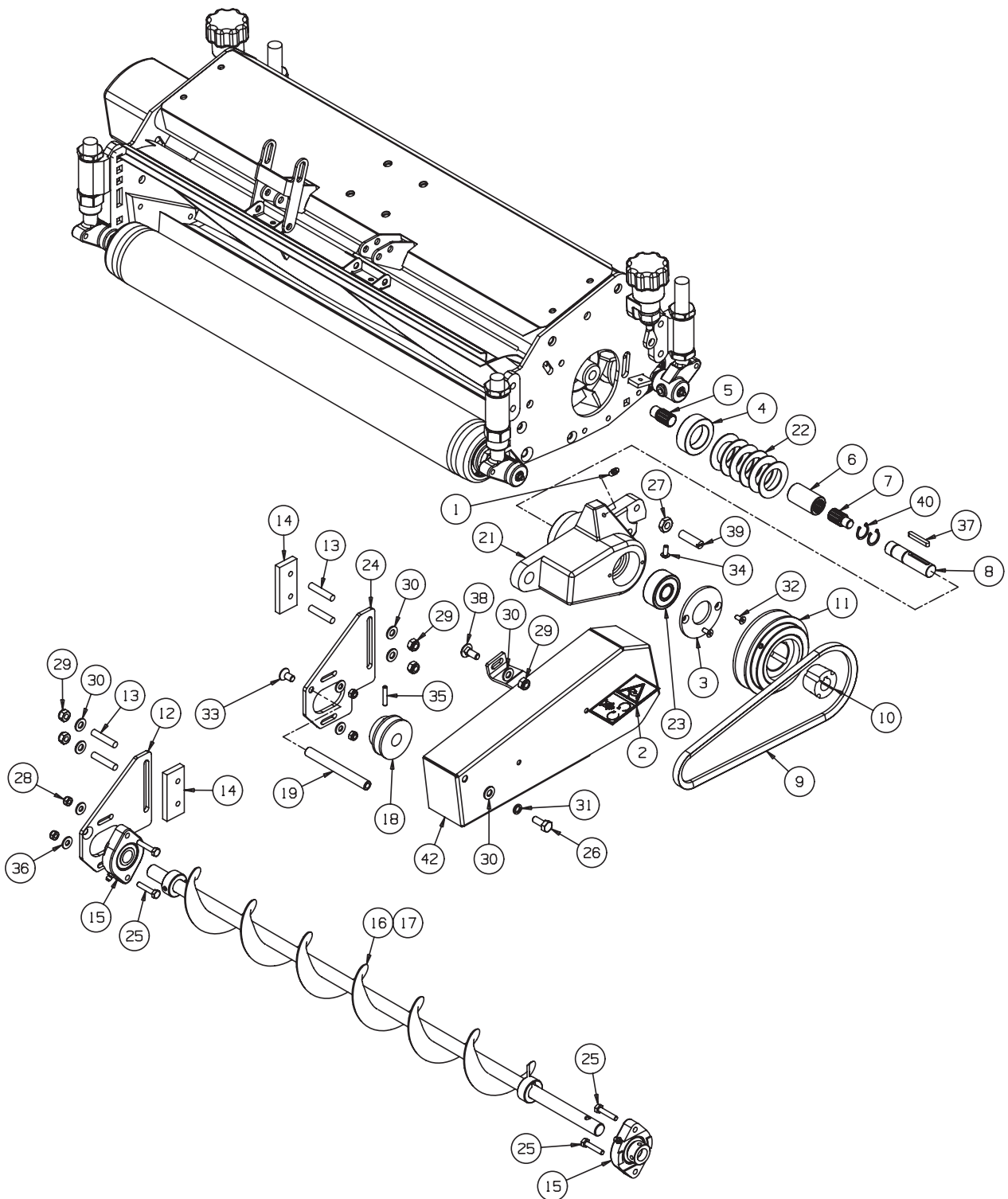
JACOBSEN FAIRWAY AND T-PLEX CUTTING UNIT

| ITEM | PART NO. | DESCRIPTION | QTY. | REMARKS |
|------|-----------|------------------------------------|------|-------------------------------|
| | LMAC184 | Kit-Rear Roller Brush | 1 | For 22" LH Drive Cutting Unit |
| | LMAC186 | Kit-Rear Roller Brush | 1 | For 26" LH Drive Cutting Unit |
| 1 | 002993013 | • Lubricator-M6 Str | 1 | |
| 2 | 009034900 | • Decal-Belt | 1 | |
| 3 | 4139870 | • Cover | 1 | |
| 4 | 4139871 | • Thrust Ring | 1 | |
| 5 | 4141665 | • Splined Drive, M14 LH Thread | 1 | |
| 6 | 4139873 | • Sleeve | 1 | |
| | LMSE200 | • Shaft-Splined Drive | 1 | comprising 4141666 + 4141667 |
| 7 | 4141666 | •• Splined Drive, M12 LH Thread | 1 | |
| 8 | 4141667 | •• Shaft, Drive Pulley, M12 LH Thd | 1 | |
| 9 | 4139876 | • Drive Belt | 1 | |
| 10 | 4139877 | • Taper Lock, Drive Pulley | 1 | |
| 11 | 4139878 | • Pulley | 1 | |
| 12 | 4139880 | • Mounting Plate LH | 1 | |
| 13 | 4139881 | • Stud M8 x 40 | 4 | |
| 14 | 4139882 | • Plate, Tapped M8 | 2 | |
| 15 | 4139884 | • Flange Bearing | 2 | |
| 16 | 4139885 | • Brush Shaft (723mm Lg) | 1 | For 22" Cutting Unit |
| 17 | 4139886 | • Brush Shaft (823 mm Lg) | 1 | For 26" Cutting Unit |
| 18 | 4139887 | • Pulley, Brush | 1 | |
| 19 | 4139888 | • Distance Piece | 1 | |
| 20 | 4141567 | • Belt Guard RH | 1 | |
| 21 | 4141110 | • Housing-Cyl, RH | 1 | |
| 22 | 4141465 | • Sprg-Disc 30 x 50 x 1.5 | 6 | |
| 23 | 4141505 | • Brg-Align 17 x 47 x 19 | 1 | |
| 24 | 4141566 | • Mounting Plate | 1 | |
| 25 | 450001 | • Bolt-Hex M6 x 30 | 4 | |
| 26 | 450191 | • Scrw-Hex M8 x 20 | 1 | |
| 27 | 450332 | • Nut-Hex M10 Thin | 1 | |
| 28 | 450377 | • Nut-Hex M6 Nyloc | 4 | |
| 29 | 450378 | • Nut-Hex M8 Nyloc | 5 | |
| 30 | 450390 | • Wshr-M8 x 17 x 1.8 | 6 | |
| 31 | 450411 | • Lockwshr-M8 x 12.75 x 2 | 1 | |
| 32 | 450605 | • Scrw-Csk M5 x 12 | 2 | |
| 33 | 450864 | • Scrw-Sckt Csk M8 x 16 | 1 | |
| 34 | 451153 | • Scrw-Pan Hd No.12 x 13 | 1 | |
| 35 | 451659 | • Pin-Tension 5 x 28 | 1 | |
| 36 | 452100019 | • Wshr-1/4 x 5/8 x 0.064 | 4 | |
| 37 | 452167 | • Key-5 x 5 x 36 | 1 | |
| 38 | 452563 | • Bolt-Crg M8 x 20 | 1 | |
| 39 | MBE2659 | • Pivot Stud | 1 | |
| 40 | 452042 | • Circlip-Exp 17 x 1 T | 2 | |

* Not Illustrated

JACOBSEN FAIRWAY AND T-PLEX CUTTING UNIT

REAR ROLL BRUSH KIT FOR 22" & 26" LH DRIVE UNIT



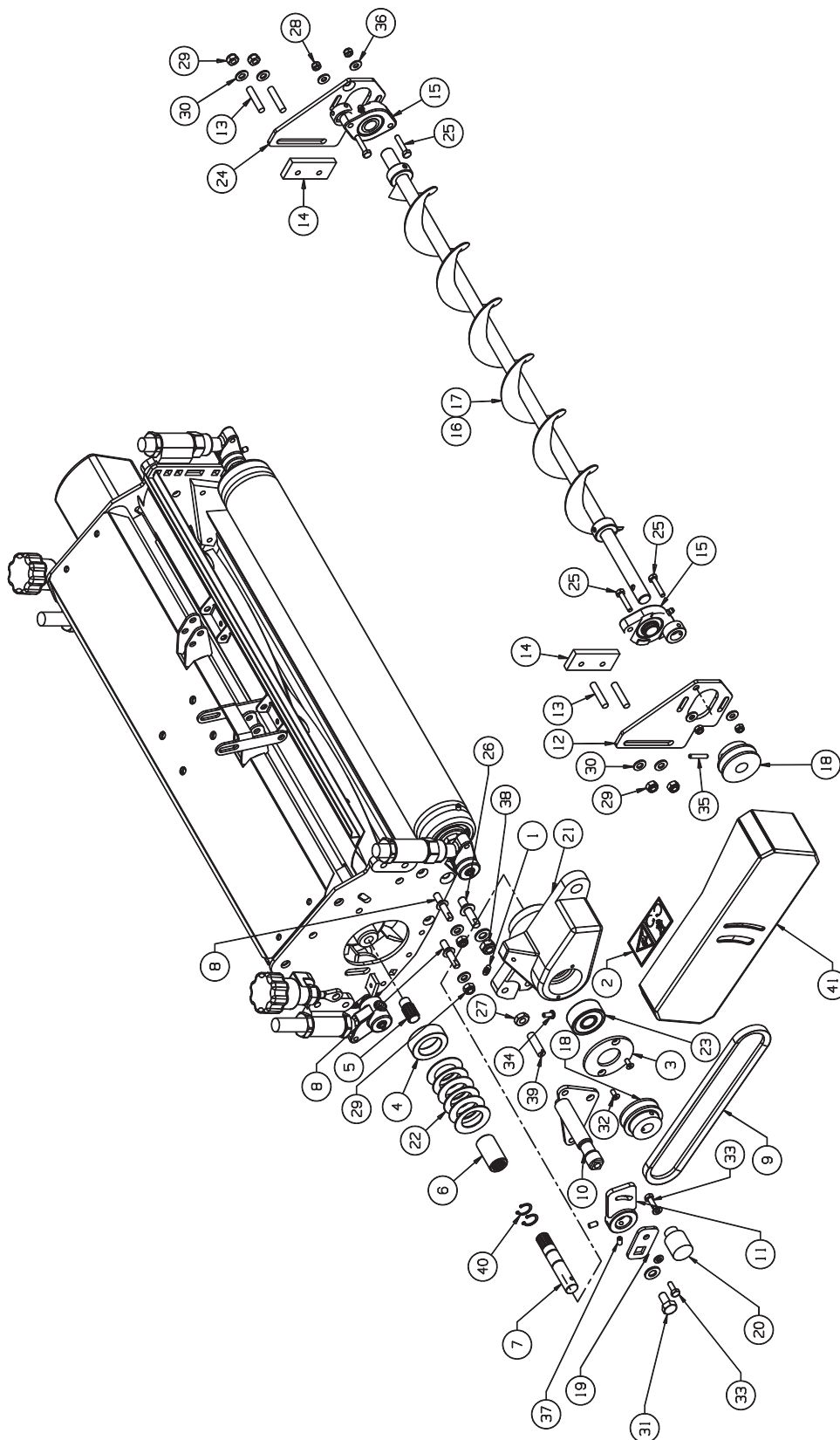
JACOBSEN FAIRWAY AND T-PLEX CUTTING UNIT

| ITEM | PART NO. | DESCRIPTION | QTY. | REMARKS |
|------|-----------|-------------|------|-------------------------|
| 41 | 4149657 | Belt Guard | 1 | |
| 42* | 523126 | Bump Stop | 1 | LMAC-185 - 405-F (Only) |
| 43* | 450020257 | 5/16" Nut | 1 | LMAC-185 - 405-F (Only) |
| 44 | MBG5315 | Stop (Wide) | 1 | LMAC-185 - 405-F (Only) |

* Not Illustrated

JACOBSEN FAIRWAY AND T-PLEX CUTTING UNIT

REAR ROLL BRUSH KIT FOR 22" & 26" RH DRIVE UNIT (from June 2008)

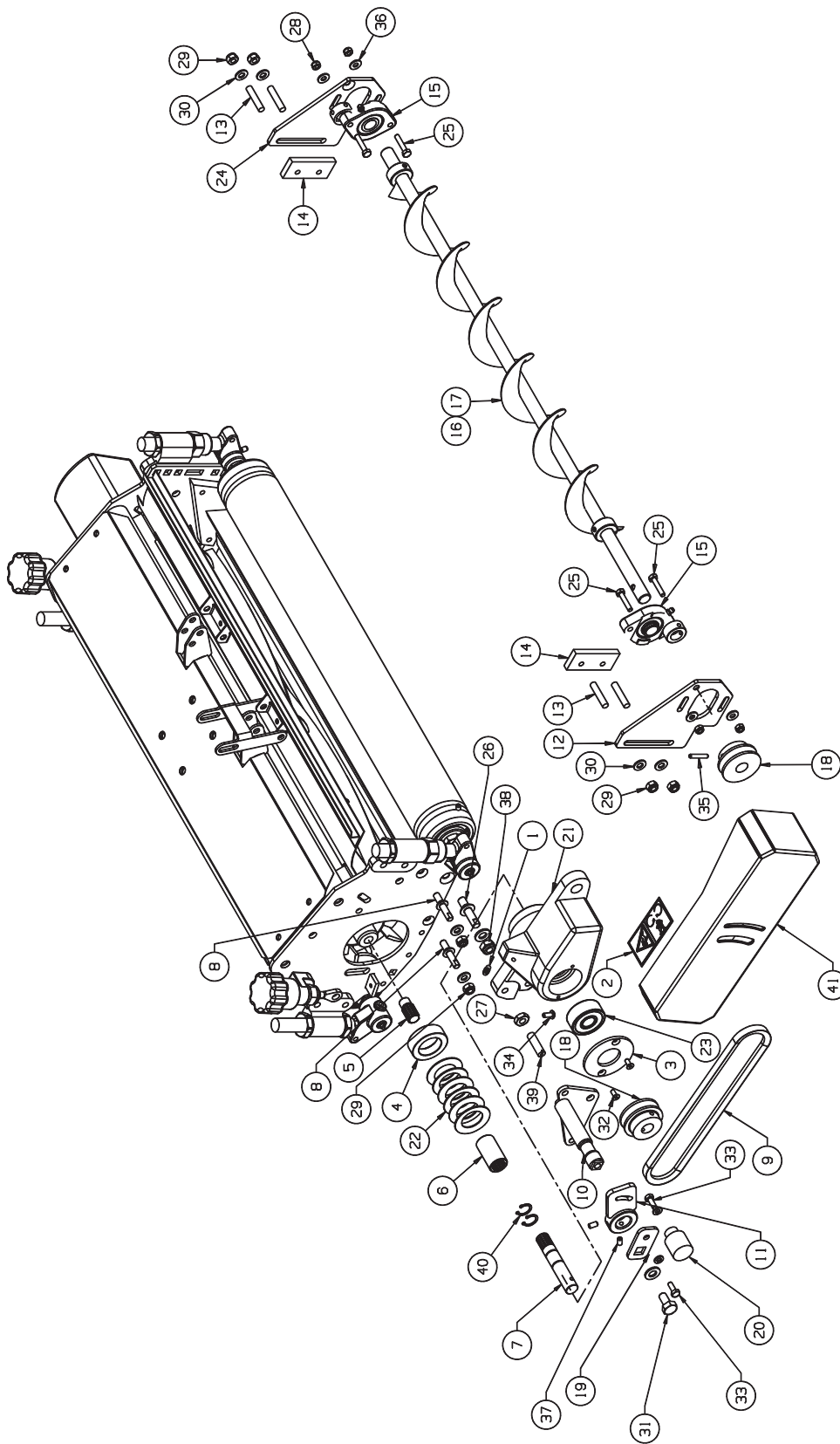


JACOBSEN FAIRWAY AND T-PLEX CUTTING UNIT

| ITEM | PART NO. | DESCRIPTION | QTY. | REMARKS |
|------|-----------|------------------------------|------|----------------------------------|
| | LMAC183 | Kit-Rear Roller Brush | 1 | For 22" RH Drive Cutting Unit |
| | LMAC185 | Kit-Rear Roller Brush | 1 | For 26" RH Drive Cutting Unit |
| 1 | 002993013 | Lubricator-M6 Str | 1 | |
| 2 | 009034900 | Decal-Belt | 1 | |
| 3 | 4139870 | Cover | 1 | |
| 4 | 4139871 | Thrust Ring | 1 | 4191060 - Later machines |
| 5 | 4139872 | Splined Drive, M14 RH Thread | 1 | |
| 6 | 4139873 | Sleeve | 1 | |
| 7 | 4186340 | Drive Shaft | 1 | 4189042 -Later machines |
| 8 | 4177182 | Stud M8/M8 | 2 | |
| 9 | 4188605 | Vee Belt | 1 | 4197380 -Later machines |
| 10 | 4182280 | Plate LH W/A | 1 | |
| 11 | 4182340 | Tensioner Bracket W/A | 1 | |
| 12 | 4188406 | Mounting Plate | 1 | |
| 13 | 4139881 | Stud M8 x 40 | 4 | |
| 14 | 4139882 | Plate, Tapped M8 | 2 | |
| 15 | 4139884 | Flange Bearing | 2 | |
| 16 | 4139885 | Brush Shaft (723mm Lg) | 1 | For 22" Cutting Unit |
| 17 | 4139886 | Brush Shaft (823 mm Lg) | 1 | For 26" Cutting Unit |
| 18 | 4139887 | Pulley, Brush | 2 | 1 off later machines |
| 18a | 4193920 | Pulley, Brush | 1 | 1 off later machines |
| 19 | 4182403 | Guard Support | 1 | |
| 20 | 4182622 | Tensioner | 1 | |
| 21 | 4141109 | Housing-Cyl, LH | 1 | 4189040 - Later machines |
| 22 | 4141465 | Sprg-Disc 30 x 50 x 1.5 | 6 | 002911320 - 1 off later machines |
| 23 | 4141505 | Brg-Align 17 x 47 x 19 | 1 | 4193434 - Later machines |
| 24 | 4188406 | Mounting Plate | 1 | |
| 25 | 450001 | Bolt-Hex M6 x 30 | 4 | |
| 26 | 4177181 | Stud M10/M10 | 1 | |
| 27 | 450332 | Nut-Hex M10 Thin | 1 | |
| 28 | 450377 | Nut-Hex M6 Nyloc | 4 | |
| 29 | 450378 | Nut-Hex M8 Nyloc | 6 | |
| 30 | 450390 | Wshr-M8 x 17 x 1.8 | 6 | |
| 31 | 450213 | Screw M10 x 20 | 1 | |
| 32 | 450605 | Scr-w-Csk M5 x 12 | 2 | |
| 33 | 450170 | Screw M6 x 16 | 2 | |
| 34 | 451153 | Scr-w-Pan Hd No.12 x 13 | 1 | |
| 35 | 451663 | Pin-Tension 5 x 40 | 2 | |
| 36 | 452100019 | Wshr-1/4 x 5/8 x 0.064 | 4 | |
| 37 | 450961 | Grubscrew M6 x 12 | 2 | |
| 38 | 450379 | Nut-Hex M10 Nyloc | 2 | |
| 39 | MBE2659 | Pivot Stud | 1 | |

JACOBSEN FAIRWAY AND T-PLEX CUTTING UNIT

REAR ROLL BRUSH KIT FOR 22" & 26" RH DRIVE UNIT (from June 2008)



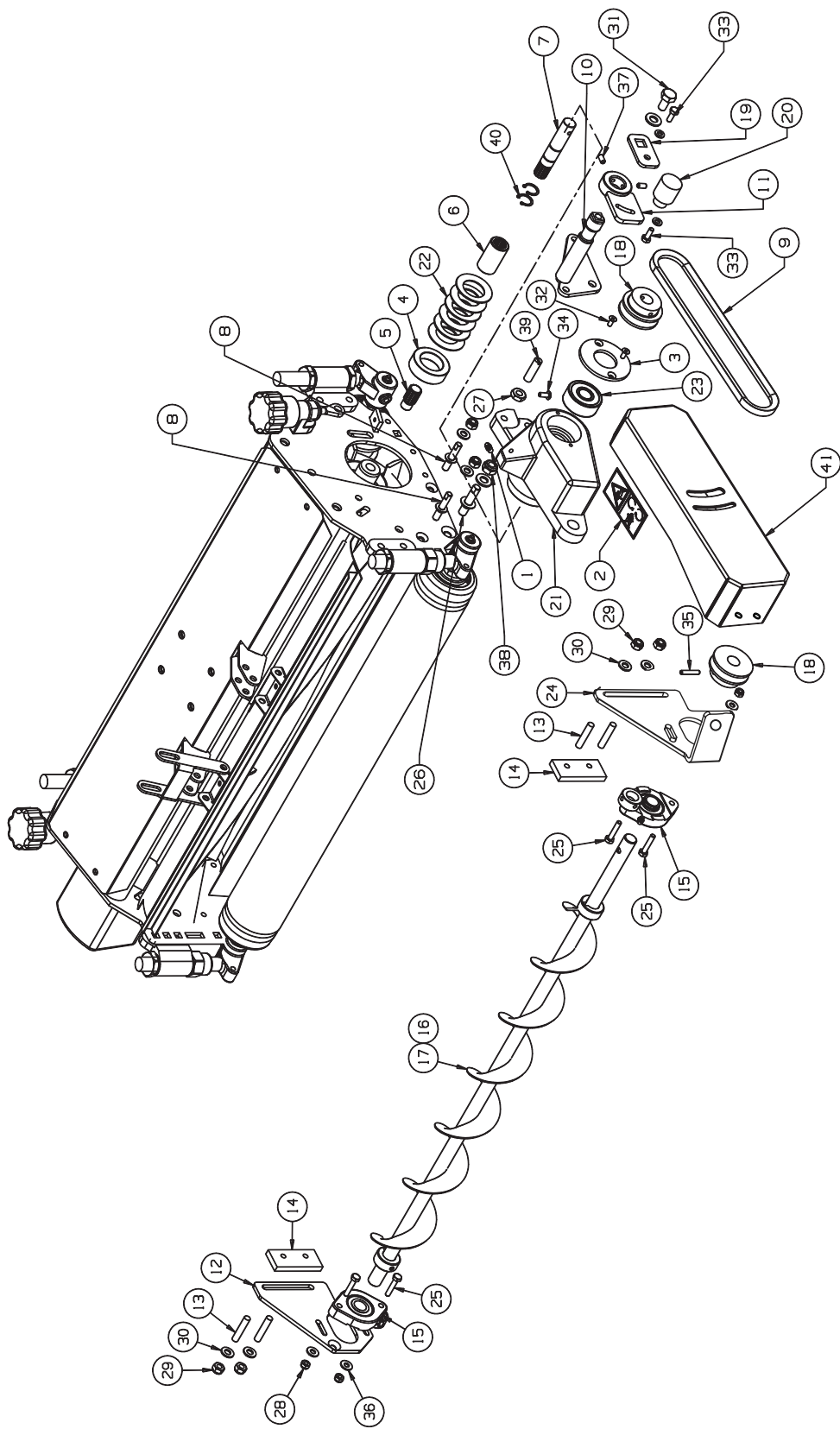
JACOBSEN FAIRWAY AND T-PLEX CUTTING UNIT

| ITEM | PART NO. | DESCRIPTION | QTY. | REMARKS |
|------|----------|----------------------|------|--------------------------|
| 40 | 452042 | Circlip-Ext 17 x 1 T | 2 | 3 off - Later machines |
| 41 | 4185880 | Brush Guard W/A | 1 | 4194080 - Later machines |
| * | 4193422 | Shoulder Pin | 1 | Later machines |

* Not Illustrated

JACOBSEN FAIRWAY AND T-PLEX CUTTING UNIT

REAR ROLL BRUSH KIT FOR 22" & 26" LH DRIVE UNIT (from june 2008)

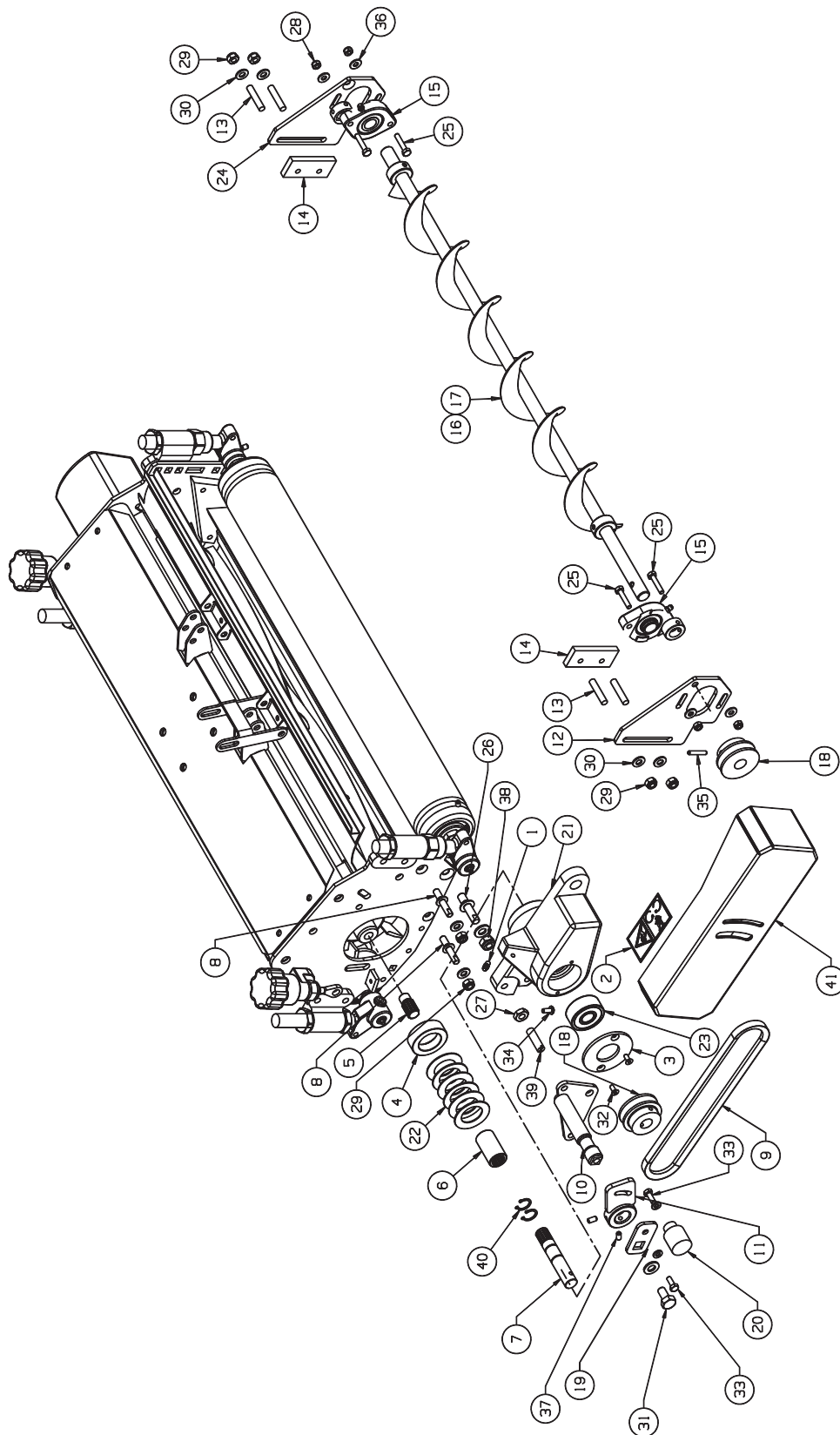


JACOBSEN FAIRWAY AND T-PLEX CUTTING UNIT

| ITEM | PART NO. | DESCRIPTION | QTY. | REMARKS |
|------|-----------|------------------------------|------|----------------------------------|
| | LMAC184 | Kit-Rear Roller Brush | 1 | For 22" LH Drive Cutting Unit |
| | LMAC186 | Kit-Rear Roller Brush | 1 | For 26" LH Drive Cutting Unit |
| 1 | 002993013 | Lubricator-M6 Str | 1 | |
| 2 | 009034900 | Decal-Belt | 1 | |
| 3 | 4139870 | Cover | 1 | |
| 4 | 4139871 | Thrust Ring | 1 | 4191060 - Later machines |
| 5 | 4141665 | Splined Drive, M14 LH Thread | 1 | |
| 6 | 4139873 | Sleeve | 1 | |
| 7 | 4186340 | Drive Shaft | 1 | 4189042 -Later machines |
| 8 | 4177182 | Stud M8/M8 | 2 | |
| 9 | 4188605 | Vee Belt | 1 | 4197380 -Later machines |
| 10 | 4182281 | Plate RH W/A | 1 | |
| 11 | 4182340 | Tensioner Bracket W/A | 1 | |
| 12 | 4188406 | Mounting Plate | 1 | |
| 13 | 4139881 | Stud M8 x 40 | 4 | |
| 14 | 4139882 | Plate, Tapped M8 | 2 | |
| 15 | 4139884 | Flange Bearing | 2 | |
| 16 | 4139885 | Brush Shaft (723mm Lg) | 1 | For 22" Cutting Unit |
| 17 | 4139886 | Brush Shaft (823 mm Lg) | 1 | For 26" Cutting Unit |
| 18 | 4139887 | Pulley, Brush | 2 | 1 off later machines |
| 18a | 4193920 | Pulley, Brush | 1 | 1 off later machines |
| 19 | 4182403 | Guard Support | 1 | |
| 20 | 4182622 | Tensioner | 1 | |
| 21 | 4141110 | Housing-Cyl, RH | 1 | 4189041 - Later machines |
| 22 | 4141465 | Sprg-Disc 30 x 50 x 1.5 | 6 | 002911320 - 1 off later machines |
| 23 | 4141505 | Brg-Align 17 x 47 x 19 | 1 | 4193434 - Later machines |
| 24 | 4188406 | Mounting Plate | 1 | |
| 25 | 450001 | Bolt-Hex M6 x 30 | 4 | |
| 26 | 4177181 | Stud M10/M10 | 1 | |
| 27 | 450332 | Nut-Hex M10 Thin | 1 | |
| 28 | 450377 | Nut-Hex M6 Nyloc | 4 | |
| 29 | 450378 | Nut-Hex M8 Nyloc | 6 | |
| 30 | 450390 | Wshr-M8 x 17 x 1.8 | 6 | |
| 31 | 450213 | Screw M10 x 20 | 1 | |
| 32 | 450605 | Scr-w-Csk M5 x 12 | 2 | |
| 33 | 450170 | Screw M6 x 16 | 2 | |
| 34 | 451153 | Scr-w-Pan Hd No.12 x 13 | 1 | |
| 35 | 451663 | Pin-Tension 5 x 40 | 2 | |
| 36 | 452100019 | Wshr-1/4 x 5/8 x 0.064 | 4 | |
| 37 | 450961 | Grubscrew M6 x 12 | 2 | |
| 38 | 450379 | Nut-Hex M10 Nyloc | 2 | |
| 39 | MBE2659 | Pivot Stud | 1 | |

JACOBSEN FAIRWAY AND T-PLEX CUTTING UNIT

REAR ROLL BRUSH KIT FOR 22" & 26" LH DRIVE UNIT (from june 2008)



JACOBSEN FAIRWAY AND T-PLEX CUTTING UNIT

| ITEM | PART NO. | DESCRIPTION | QTY. | REMARKS |
|------|----------|----------------------|------|--------------------------|
| 40 | 452042 | Circlip-Ext 17 x 1 T | 2 | 3 off - Later machines |
| 41 | 4185880 | Brush Guard W/A | 1 | 4194080 - Later machines |
| * | 4193422 | Shoulder Pin | 1 | Later machines |

* Not Illustrated



Ransomes Jacobsen Limited
West Road, Ransomes Europark, Ipswich, IP3 9TT
English Company Registration No. 1070731
www.ransomesjacobsen.com

Jacobsen, A Textron Company
11108 Quality Drive, Charlotte,
NC 28273, USA
www.Jacobsen.com