



Parts Manual

AR722T™

68233 – AR722T-T4F, Kubota® V2403DICR-T, 4WD with ROPS

WARNING

Warning: If incorrectly used, this machine can cause severe injury. Those who use and maintain this machine should be trained in its proper use, warned of its dangers, and must read the entire manual before attempting to set up, operate, adjust, or service the machine.

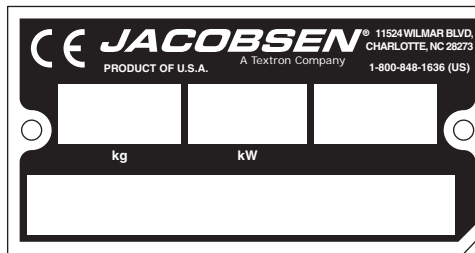
FOREWORD

This manual contains adjustment, maintenance, troubleshooting instructions and a parts list for your new Jacobsen machine. This manual should be stored with the equipment for reference during operation.

Before you operate your machine, you and each operator you employ should read the manual carefully in its entirety. By following the safety, operating and maintenance instructions, you will prolong the life of your equipment and maintain its maximum efficiency.

If additional information is needed, contact your Jacobsen Dealer.

The serial plate is located on the right rear frame rail. Jacobsen recommends you record these numbers below for easy reference.



Suggested Stocking Guide

To keep your equipment fully operational and productive, Jacobsen suggests you maintain a stock of the more commonly used maintenance items. We have included part numbers for additional support materials and training aids.

To order any of the following material:

1. Write your full name and complete address on your order form.

2. Explain where and how to make shipment:

- UPS Regular Mail
 Overnight 2nd Day

3. Order by the quantity desired, the part number, and the description of the part.

4. Send or bring the order to your authorized Jacobsen Dealer.

Service Parts

Qty.	Part No.	Description	Qty.	Part No.	Description
	4113986	Engine Oil Filter		4131618	Ignition Key
	4297133	Engine Fuel Filter Element		4123183	Headlight Bulb
	4297126	Engine Water Separator Element		4163106	Blade, Combination
	4133820	Primary Air Cleaner Filter		4137186	Blade, High Lift
	4133821	Safety Air Cleaner Filter		4124087	Blade, Low Lift
	555771	Hydraulic Filter Element		4134323	Engine Fan Belt

Service Support Material

Qty.	Part No.	Description
	4290892	Safety & Operation Manual
	4290891	Parts & Maintenance Manual
	4273090	DVD, Operator Training
	4290893	Diesel Engine Parts Manual

Qty.	Part No.	Description
	TBD	Service Manual

These are the original instructions verified by Jacobsen, A Textron Company.

© 2013, Jacobsen, A Textron Company/Textron Innovations Inc.
 "All rights reserved, including the right to reproduce this material or portions thereof in any form."

Proposition 65 Warning

This product contains or emits chemicals known to the State of California to cause cancer and birth defects or other reproductive harm.

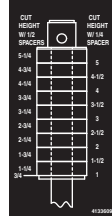
1.1	Decals	4
2.1	Hood	6
3.1	Seat Pan	8
4.1	Control Panel	10
5.1	Engine Controller Mounting	12
6.1	Traction Pedal	14
7.1	Frame	16
8.1	Front Axle	18
9.1	Rear Axle	20
10.1	Tilt Steering	22
11.1	Remote Engine Oil Filter	24
12.1	Radiator and Air Cleaner	26
13.1	Engine Mounting	28
14.1	Pump Mounting and Engine Exhaust	30
15.1	Fuel and Hydraulic Tanks	32
16.1	Hydraulic Valves and Filter	34
17.1	Pump and Return Hydraulics	36
18.1	Front Traction Hydraulics	38
19.1	Rear Traction Hydraulics	40
20.1	Brake Valve Hydraulics	42
21.1	Traction Drain Hydraulics	44
22.1	Deck Hydraulics	46
23.1	Wing Deck Hydraulics	48
23.1	Wing Deck Hydraulics (Continued)	50
24.1	AR722T Steering Hydraulics	52
25.1	Lift Hydraulics	54
26.1	Wing Lift Hydraulics	56
27.1	Hydraulic Clamps	58
28.1	Electrical Harness	60
29.1	Front Lift Arms	62
30.1	Rear Lift Arms	64
31.1	Wing Cylinder Mount	66
32.1	Wing Lift Arms	68
33.1	Curb Feeler	70
34.1	Deck Housing and Caster Wheels	72
35.1	Deck Frame	74
36.1	Lift Valve	76
37.1	Deck Valve	77
38.1	Wing Lift Valve	78
39.1	Wing Deck Valve	79
40.1	Steering Cylinder	80
41.1	Lift Cylinders	81
42.1	4WD Lift Valve	82
43.1	Rear Wheel Motor	83
44.1	Traction Pump (Front Half)	84
45.1	Traction Pump (Rear Half)	86
46.1	Seat Breakdown	88
47.1	Seat Suspension Breakdown	90
48.1	Brake Valve	92
49.1	Electrical Schematic	93
50.1	Connector Terminal Identification	98
51.1	AR722T Hydraulic Schematic	102



17



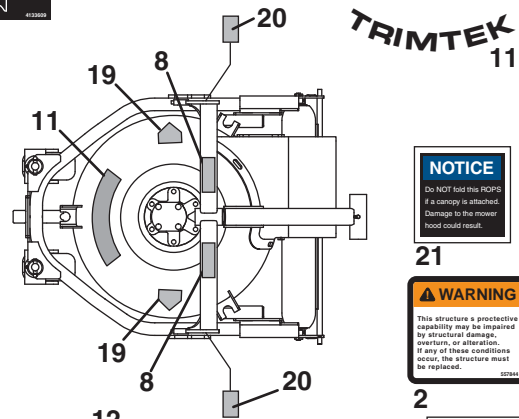
19



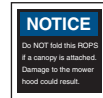
20



8



TRIMTEK
11



21



2



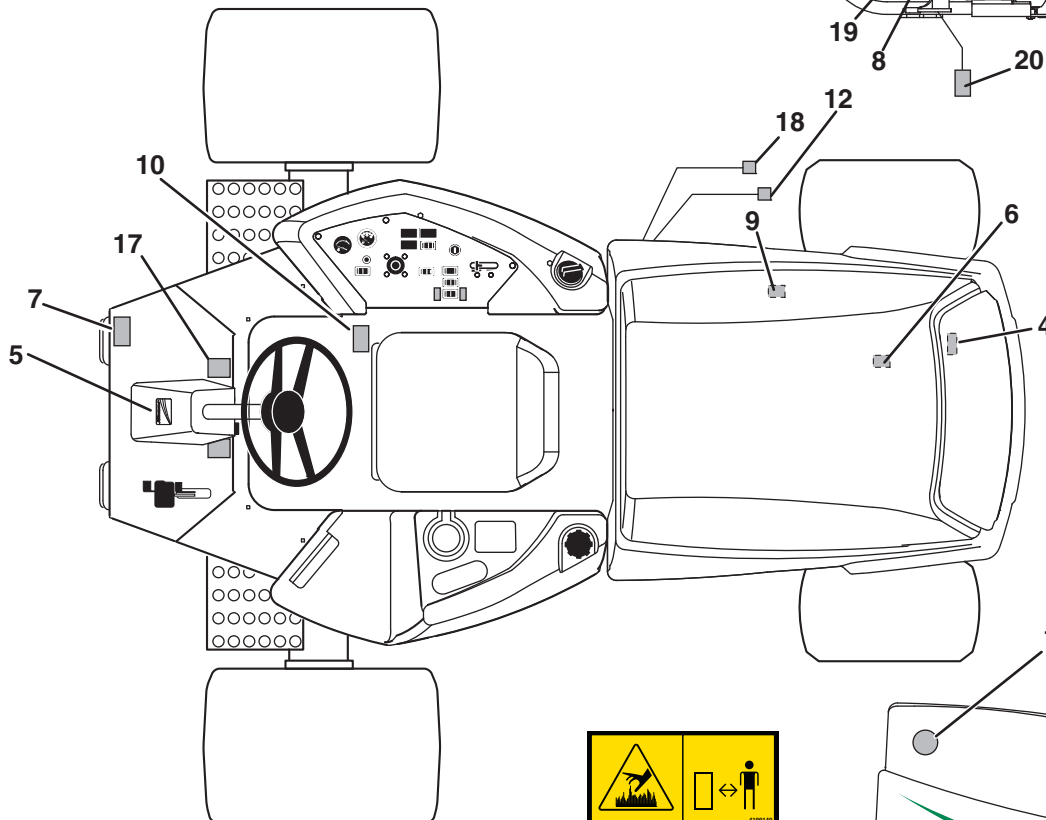
13



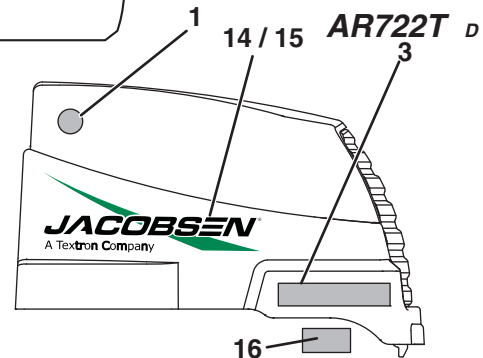
22



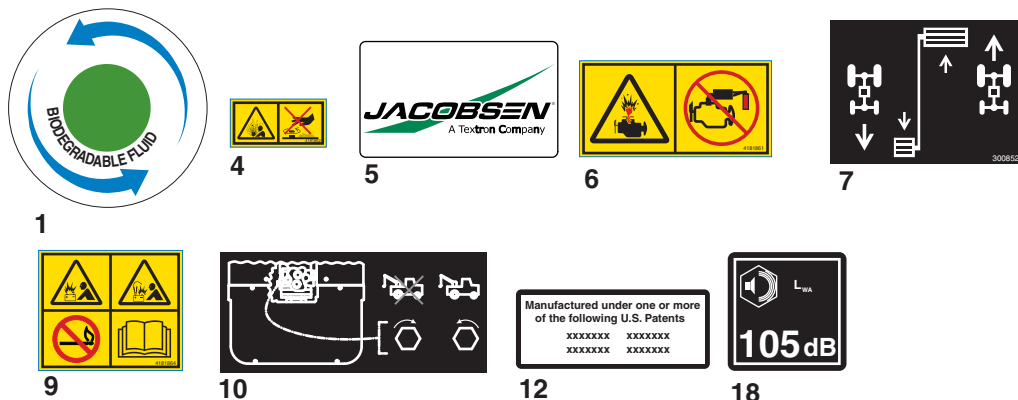
23



16



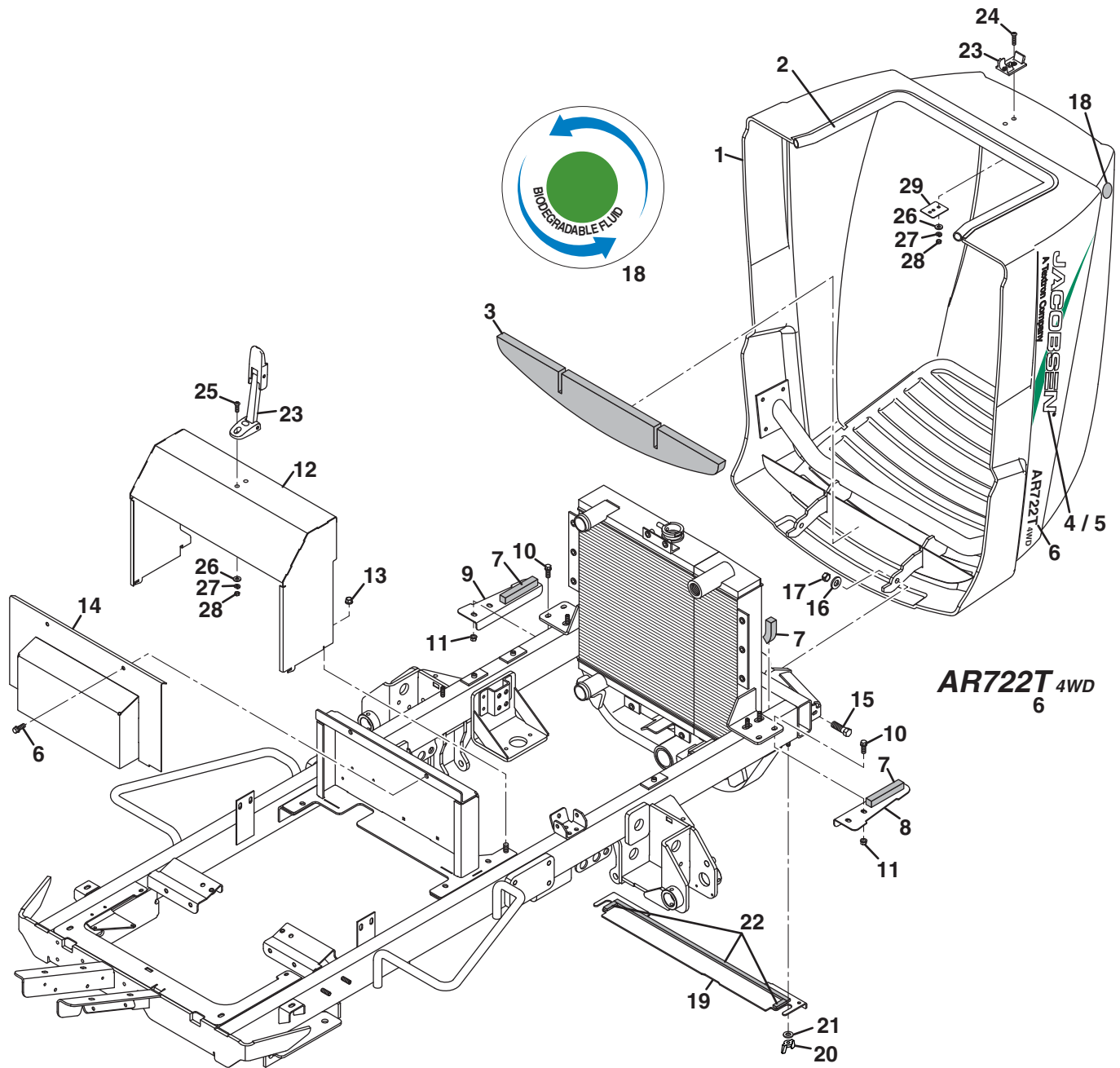
16



Item	Part No.	Qty.	Description	Serial Numbers/Notes
1	4111408	1	Decal, Bio Fluid	
2	557844	1	Decal, ROPS Structure Warning	Located on ROPS, See 7.1
3	4283491	2	Decal, AR722T 4WD	
4	4181862	1	Decal, Radiator Warning	Located on Radiator
5	4182386	1	Decal, Jacobsen Emblem	
6	4181861	1	Decal, Start Assist Fluids	
7	3008521	1	Decal, Traction Pedal	
8	4181860	AR	Decal, Read Manual	
9	4181864	1	Decal, Battery Danger	
10	3008682	1	Decal, Tow Valve	
11	4179022	AR	Decal, Trimtek™	
12	4194327	1	Decal, Patent	
13	5002952	1	Decal, ROPS Seat Belt Warning	Located on ROPS, See 7.1
14	4257474	1	Decal, Left Side Jacobsen	Included with hood
15	4257475	1	Decal, Right Side Jacobsen	Included with hood
16	4199140	1	Decal, Heat Warning	Located on left frame rail
17	4181865	1	Decal, Warning	
18	4117468	1	Decal, Noise 105 dB	
19	4164381	AR	Decal, Danger	2 on each cutting unit
20	4133609	AR	Decal, Height of Cut	2 on each cutting unit
21	4294518	1	Decal, Canopy Notice	Located on ROPS, See 7.1
22	4194260	2	Decal, ROPS Deployment	Located on ROPS, See 7.1
23	845027	2	Decal, Pinch Point	Located on ROPS, See 7.1

> Change from previous revision

2.1 Hood



AR722T_{4WD}
6

Item	Part No.	Qty.	Description	Serial Numbers/Notes
1	4274698	1	Hood	
2	4130360	AR	• Seal, Trim	64" Length, cut to 52"
3	4196102	1	• Foam, Hood Mount	
4	4257474	1	• Decal, Left Side Jacobsen	
5	4257475	1	• Decal, Right Side Jacobsen	
6	4283491	2	Decal, AR722T 4WD	
7	4138359	AR	Foam, Sealing	Cut four 5-1/2" pieces
8	4129679	1	Seal, Left Side Air	
9	4129680	1	Seal, Right Side Air	
10	800794	6	Screw, 5/16-18 x 3/4 Hex Flange	
11	800907	4	Nut, 5/16-18 Hex Flange	
12	4272410	1	Cover, External Controller	See 7.1
13	445796	2	Nut, 3/8-16 Spiralock Flange	
14	4277333	2	Panel, Controller Access	
15	400408	2	Screw, 1/2-13 x 1-1/2" Hex Head	
16	453017	2	Flat Washer, 1/2	
17	444758	2	Locknut, 1/2-13 Center	
18	4111408	1	Decal, Bio Fluid	
19	4138381	1	Shroud, Rear Frame	
20	445640	2	Nut, 3/8-16 Steel Wing	
21	452010	2	Flat Washer, 3/8	
22	4291711	AR	Seal, Bulk	36" Length, Cut two 2-1/4" and one 25"
23	4291172	1	Latch, Over Center	
24	800017	2	Screw, 1/4-20 x 1" Pan Head	
25	800026	2	Screw, 1/4-20 x 3/4" Pan Head	
26	453023	4	Flat Washer, 1/4	
27	446130	4	Lockwasher, 1/4 Heavy	
28	443102	4	Nut, 1/4-20 Hex	
29	4298793	1	Backer, Hood Latch	

> Change from previous revision

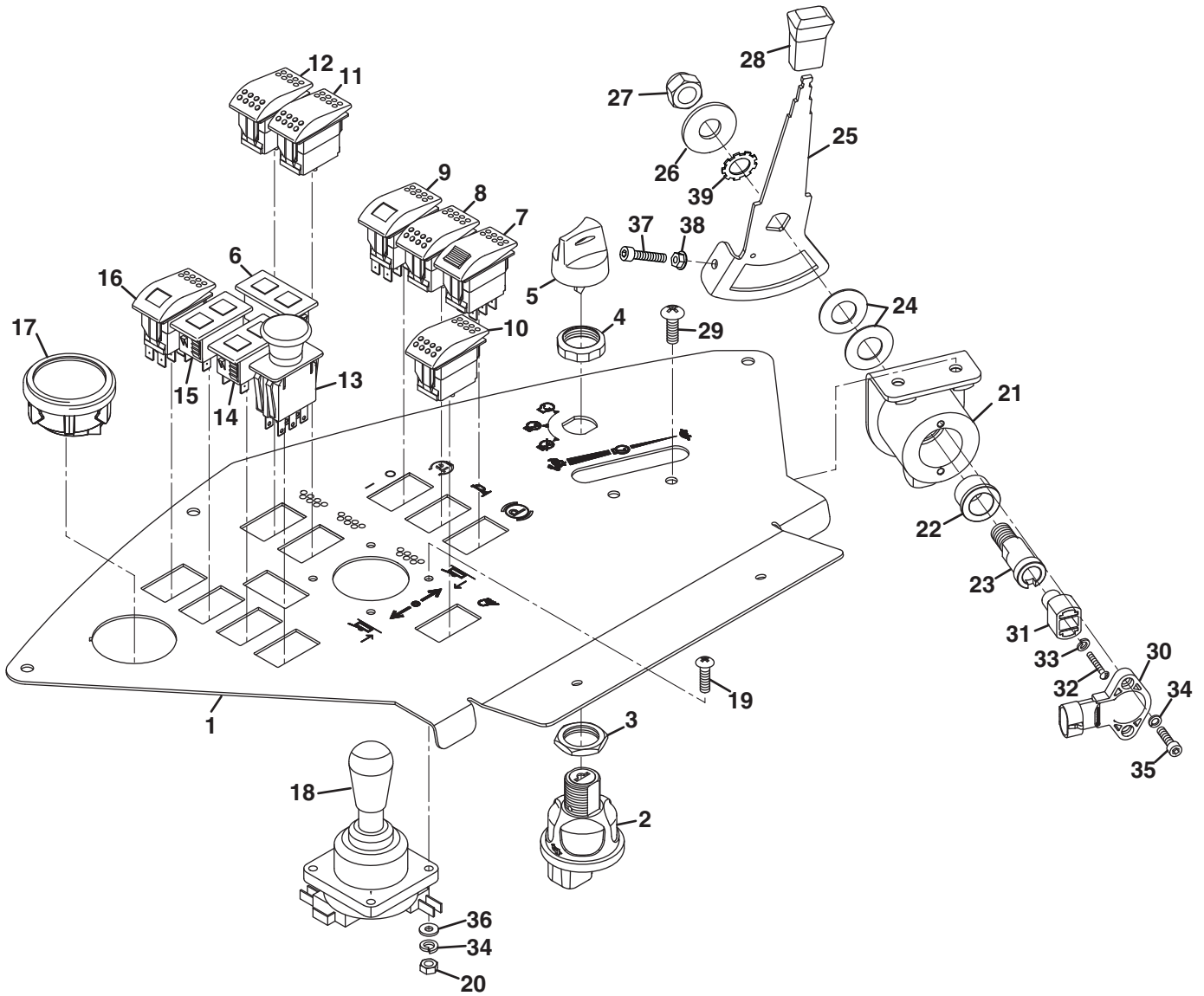
Item	Part No.	Qty.	Description	Serial Numbers/Notes
1	4272692	1	Floor Pan	
2	3009292	1	Seat Pan	
3	4290052	2	Riser, Seat	
4	400184	4	Screw, 5/16-18 x 3/4" Hex Head	
5	548804	4	Nut, 3/8-16 Whizlock Flange	
6	400258	9	Screw, 3/8-16 x 3/4" Hex Head	
7	441602	4	Carriage Bolt, 5/16-18 x 3/4"	
8	445795	12	Nut, 5/16-18 Spirallock Flange	
9	446142	5	Lockwasher, 3/8 Heavy	
10	800385	2	Screw, 3/8-16 x 3/4" Hex Flange	
11	4290871	1	Platform	
12	3007609	1	Pad, Left Floorboard	
13	3007610	1	Pad, Right Floorboard	
14	4237183	1	Pad, Left Foot	
15	4288575	1	Pad, Right Foot	
16	4241042	1	Grommet	
17	4133119	1	Floorboard	
18	4123723	1	• Latch, Panel	
19	4123725	1	• Pad, Center Floorboard	
20	445245	2	• Tinnerman Nut	
21	3008682	1	Decal, Tow Valve	
22	3008218	1	Cover, Hydro	
23	404016	2	Screw, 1/4-20 x 5/8" Truss Head	
24	4290611	1	Suspension Seat Assembly	See 46.1 and See 47.1
	4297937		• Seat Switch	REFERENCE SW5A, See 49.1
25	3008521	1	Decal, Traction Pedal	
26	4181865	1	Decal, Warning	
27	4133121	2	Stop, Deck	
28	4132917	1	Bracket, Right Side Deck Stop	
29	4132913	1	Bracket, Left Side Deck Stop	
30	444708	4	Locknut, 1/4-20 Center	
31	446128	4	Lockwasher, 1/4	
32	440078	4	Carriage Bolt, 5/16-18 x 3/4"	
33	400112	4	Screw, 1/4-20 x 1" Hex Head	
34	453023	4	Flat Washer, 1/4	
35	557620	AR	Trim, Molding	10 Foot Length, Cut to 2-1/2" piece

> Change from previous revision

AR722T

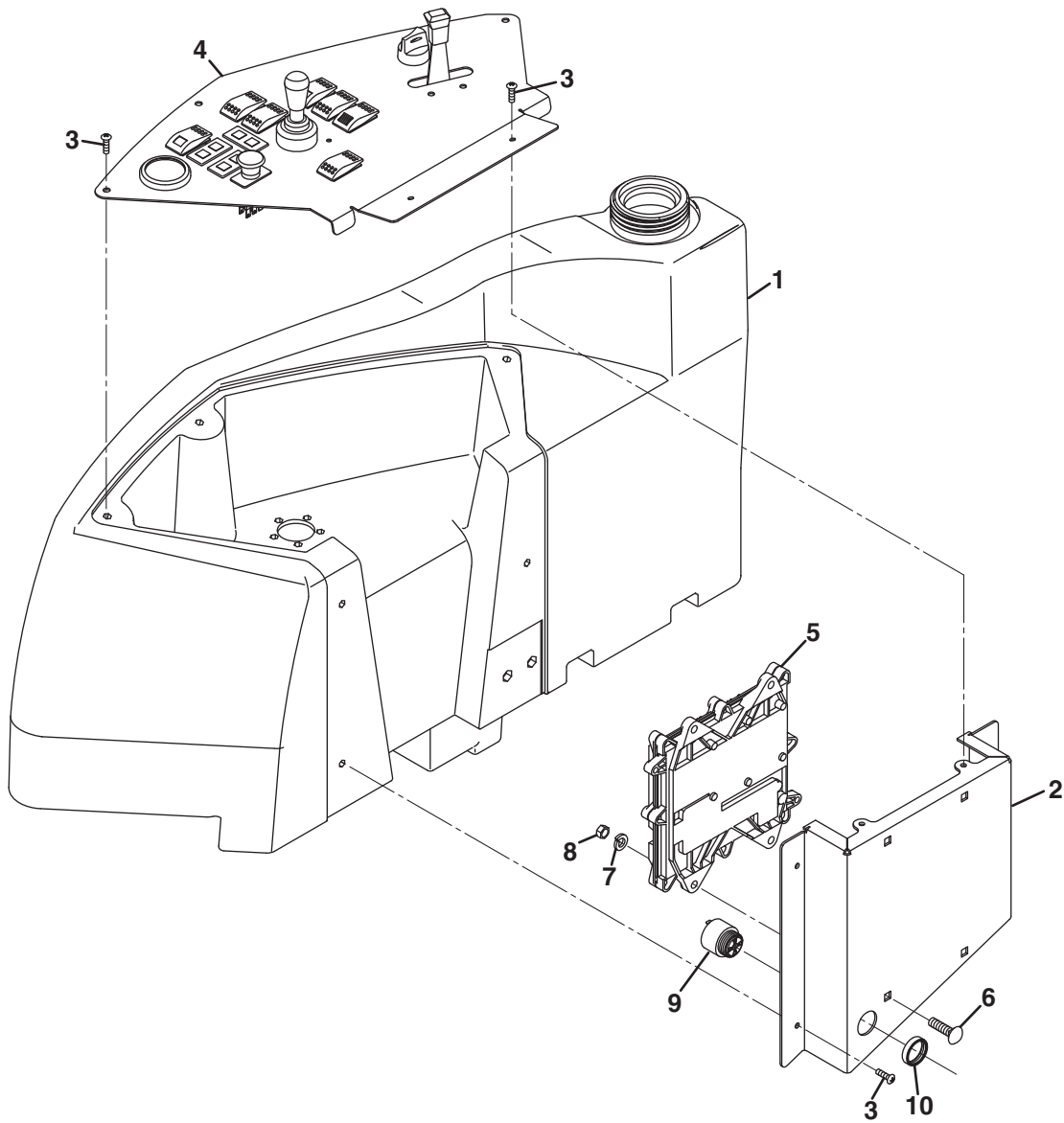
4.1 Control Panel

Serial No. All



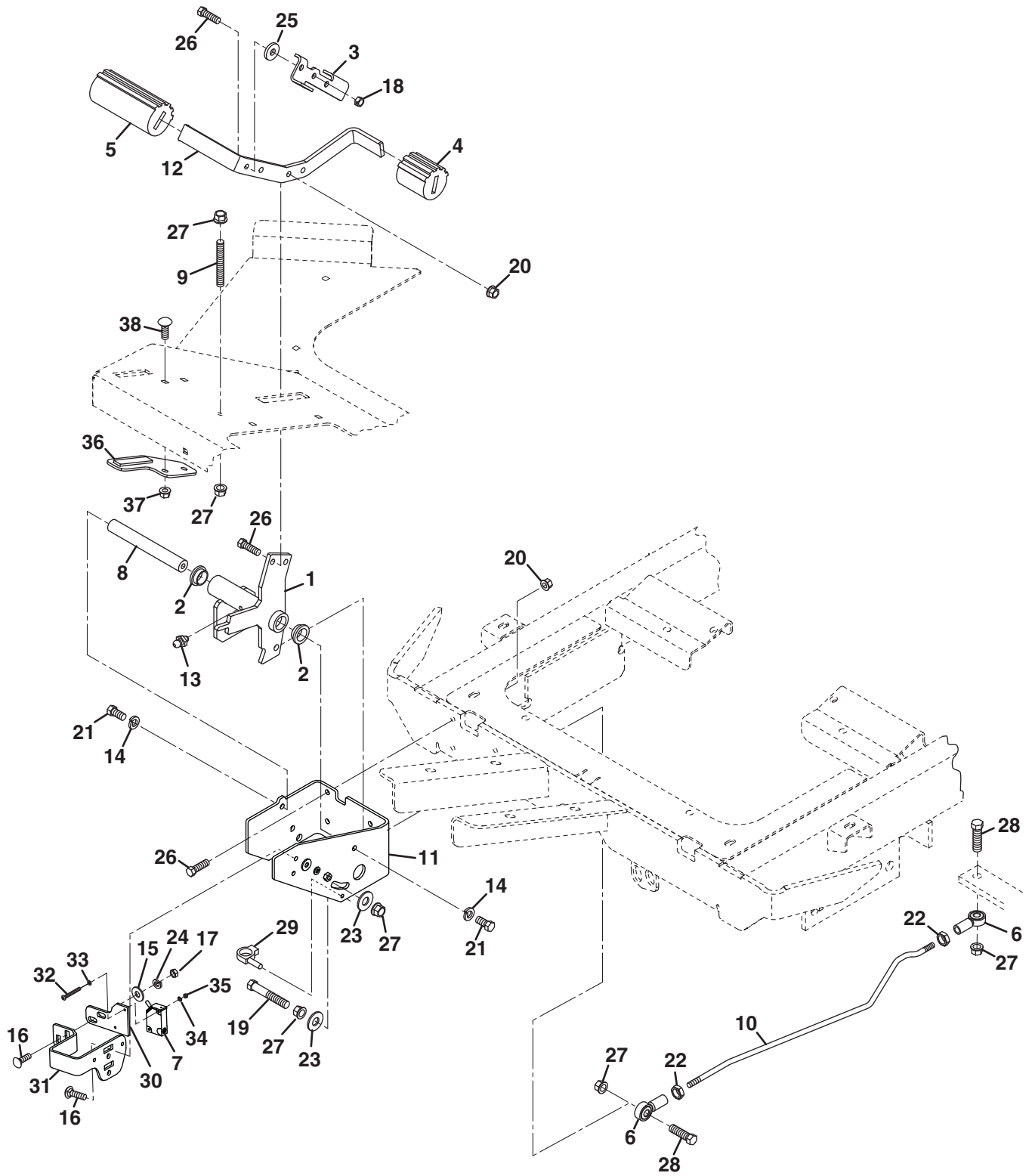
Item	Part No.	Qty.	Description	Serial Numbers/Notes
1	4272851	1	Instrument Panel	Includes silk screen decals
2	4283269	1	Switch, Ignition	REFERENCE SW6, See 49.1
3	4283653	1	• Nut, Backing	
4	4283652	1	• Nut, Face	
5	4283654	1	• Replacement Key	
6	4283955	1	Module, Charge PSI/Fuel Filter	REFERENCE L12, See 49.1
7	4139764	1	Switch, Parking Brake	REFERENCE SW13, See 49.1
8	4130133	1	Switch, Horn	REFERENCE SW7, See 49.1
9	4137524	1	Switch, Traction Control	REFERENCE SW14, See 49.1
10	4130132	1	Switch, Light	REFERENCE SW12, See 49.1
11	4130132	1	Switch, Left Wing Enable	REFERENCE SW10, See 49.1
12	4130132	1	Switch, Right Wing Enable	REFERENCE SW11, See 49.1
13	4174684	1	Switch, PTO	REFERENCE SW8, See 49.1
14	4270816	1	Module, DPF Dual Indicator	REFERENCE L6, L10, See 49.1
15	4270810	1	Glow Plug Indicator Module	REFERENCE L4, L8, See 49.1
16	4270822	1	Switch, Inhibit/Regen	REFERENCE SW16, See 49.1
17	4270811	1	Gauge, Combination	REFERENCE U21, See 49.1
18	1004290	1	Joystick, 1 Axis	REFERENCE SW9, See 49.1
19	403912	4	Screw, #10-24 x 5/8" Truss Head	
20	444310	4	Nut, #10-24 Hex	
21	4274292	1	Bracket, Throttle	
22	521117	1	• Bushing, 5/8" Bronze Flanged	
23	4238243	1	Shaft, Throttle Pivot	
24	64209-08	2	Washer, Conical Spring	
25	4303557	1	Lever, Throttle	
26	452012	1	Flat Washer, 1/2	
27	800602	1	Nut, 1/2-13 Hex Nylock	
28	366768	1	Knob	
29	404016	2	Screw, 1/4-20 x 5/8" Truss Head	
30	4229340	1	Sensor, Throttle	REFERENCE U19, See 49.1
31	N/S	1	• Magnet, Sensor	
32	402006	1	Screw, #6-32 x 1/2" Slotted	
33	446106	1	Lockwasher, #6	
34	446116	6	Lockwasher, #10	
35	800497	2	Screw, #10-24 x 3/4" Hex Socket	
36	308089	4	Flat Washer	
37	450699	1	Screw, M5-0.8 x 25 mm Hex Socket	
38	450451	1	Nut, M5-0.8 Hex Flange	
39	309067	1	Lockwasher, 1/2" External Tooth	

> Change from previous revision



Item	Part No.	Qty.	Description	Serial Numbers/Notes
1	3009204	1	Fuel Tank	See 15.1
2	4274272	1	Bracket, Engine Controller	
3	403908	8	Screw, #10-24 x 5/8" Truss Head	
4	REF	1	Control Panel Assembly	See 4.1
5	4277151	1	Engine Controller (ECU)	REFERENCE U1, See 49.1
6	441614	4	Carriage Bolt, 5/16-18 x 1"	
7	446136	4	Lockwasher, 5/16 Heavy	
8	443106	4	Nut, 5/16-18 Hex	
9	366670	1	Horn	REFERENCE U20, See 49.1
10	N/S	1	• Ring Nut	

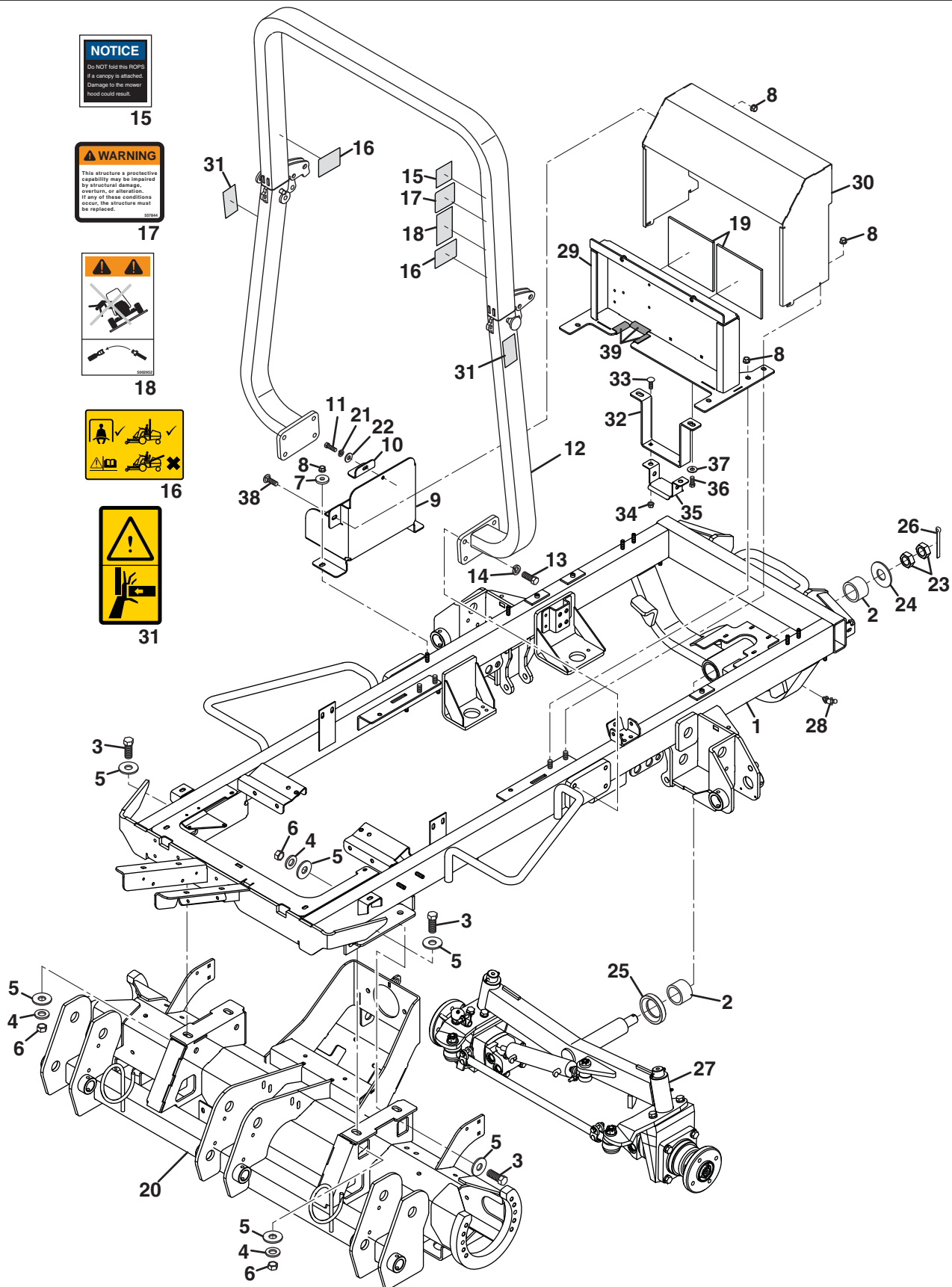
> Change from previous revision



Item	Part No.	Qty.	Description	Serial Numbers/Notes
1	1003288	1	Treadle Pivot	REFERENCE SW4, See 49.1
2	352726	2	• Bushing	
3	3007230	1	Stop, Mow Speed	
4	3003474	1	Grip, Pedal	
5	3003475	1	Grip, Pedal	
6	366974	2	Rod End	
7	4125831	1	Switch, Proximity	
8	3006327	1	Shaft, Turn Assist	
9	333542	1	Tie Stud	
10	4270174	1	Rod, Hydro	
11	4176562	1	Bracket, Hydro Mount	
12	4132912	1	Pedal, Hydro	
13	471214	1	Fitting, Grease	
14	446136	2	Lockwasher, 5/16 Heavy	
15	452004	4	Flat Washer, 1/4	
16	440042	4	Bolt, Carriage 1/4 - 20 UNC x 3/4	
17	443102	4	Nut, 1/4 - 20 Hex Head	
18	444718	1	Locknut, 5/16-18 Center	
19	400272	1	Screw, 3/8-16 x 2-1/4" Hex Head	
20	445795	6	Nut, 5/16-18 Spirallock Flange	
21	400182	2	Screw, 5/16-18 x 5/8" Hex Head	
22	443112	2	Nut, 3/8-24 Hex	
23	452008	2	Flat Washer, 3/8	
24	446128	4	Lockwasher, 1/4	
25	3002695	1	Washer	
26	400188	7	Screw, 5/16-18 x 1" Hex Head	
27	445796	6	Nut, 3/8-16 Spirallock Flange	
28	400264	2	Screw, 3/8-16 x 1-1/4" Hex Head	
29	3008383	1	Clip, Wire Harness	
30	4176580	1	Plate, Proximity Switch Mount	
31	4182392	1	Bracket, Neutral Switch	
32	800440	2	Screw, #4-40 x 1	
33	308404	2	Flat Washer, .12 .25 .02 YS	
34	446102	2	Washer, Lock #4 Reg.	
35	444302	1	Nut, #4 - 40 Hex	
36	4288572	1	Plate, Fill	
37	441602	2	Carriage Bolt, 5/16-18 x 3/4"	
38	800907	2	Nut, 5/16-18 Hex Flange	

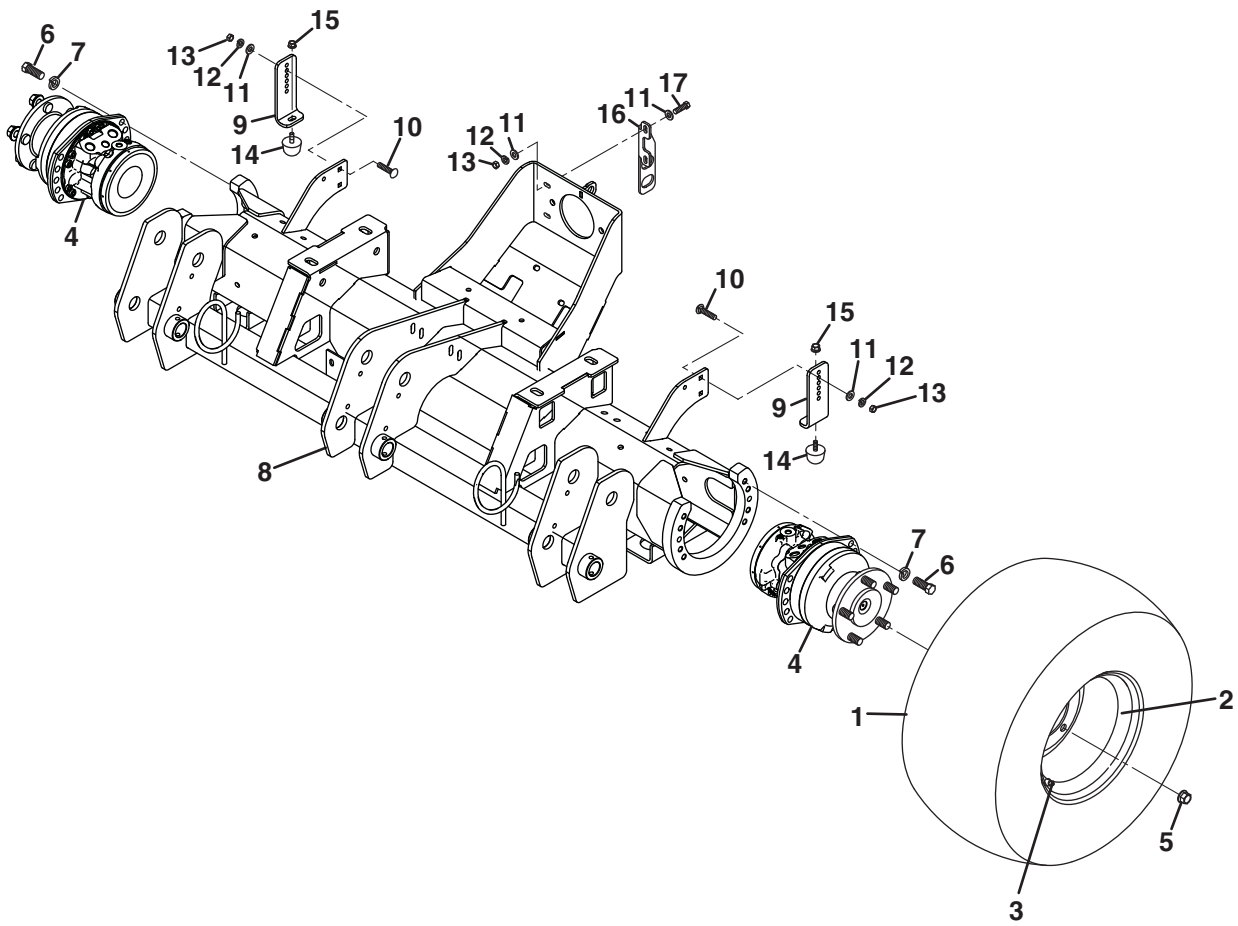
> Change from previous revision

7.1 Frame



Item	Part No.	Qty.	Description	Serial Numbers/Notes
1	4272297	1	Frame	
2	366871	2	• Bushing	
3	4113047	6	Screw, 5/8-18 x 1-1/2" Hex Head	Grade 8 Bolt
4	4140094	6	Flat Washer, 5/8	
5	452016	12	Flat Washer, 5/8	
6	443128	6	Nut, 5/8-18 Hex	
7	358794	2	Washer, 3/8	
8	445796	7	Nut, 3/8-16 Spiralock Flange	
9	4272411	1	Battery Tray	
10	3008461	1	Clamp, Battery	
11	400188	1	Screw, 5/16-18 x 1" Hex Head	
12	4292951	1	Folding ROPS Assembly	
13	5000465	8	• Screw, 1/2-13 x 1-1/4" Hex GR 8	
14	446154	8	• Lockwasher, 1/2 Heavy	
15	4294518	1	• Decal, Canopy Notice	
16	4194260	2	• Decal, ROPS Deployment	
17	557844	1	• Decal, ROPS Structure Warning	
18	5002952	1	• Decal, ROPS Seat Belt Warning	
19	4282178	2	Shield, Heat	
20	REF	1	Front Axle	See 8.1
21	446134	1	Lockwasher, 5/16	
22	452006	1	Flat Washer, 5/16	
23	443840	2	Nut, 1-12 Hex Jam	
24	452022	1	Flat Washer, 1	
25	366789	1	Spacer, Axle	
26	460064	1	Cotter Pin, 1/4 x 1-1/2"	
27	REF	1	Rear Axle	See 9.1
28	471227	1	45° Grease Fitting	
29	4272393	1	Mount, Controller	
30	4272410	1	Cover, External Controller	
31	845027	2	Decal, Pinch Point	
32	4302133	1	Restraint, Hose Bracket	
33	441602	2	Carriage Bolt, 5/16-18 x 3/4"	
34	445781	2	Nut, 5/16-18 Hex Flange	
35	4302131	1	Restraint, Hose	Wing Lift Cylinder Hoses, See 26.1
36	400184	2	Screw, 5/16-18 x 3/4" Hex Head	
37	452006	2	Flat Washer, 5/16	
38	441624	1	Carriage Bolt, 3/8-16 x 1"	
39	557620	AR	Trim, Molding	10' Length, Cut three 2-1/2" piecesg

> Change from previous revision



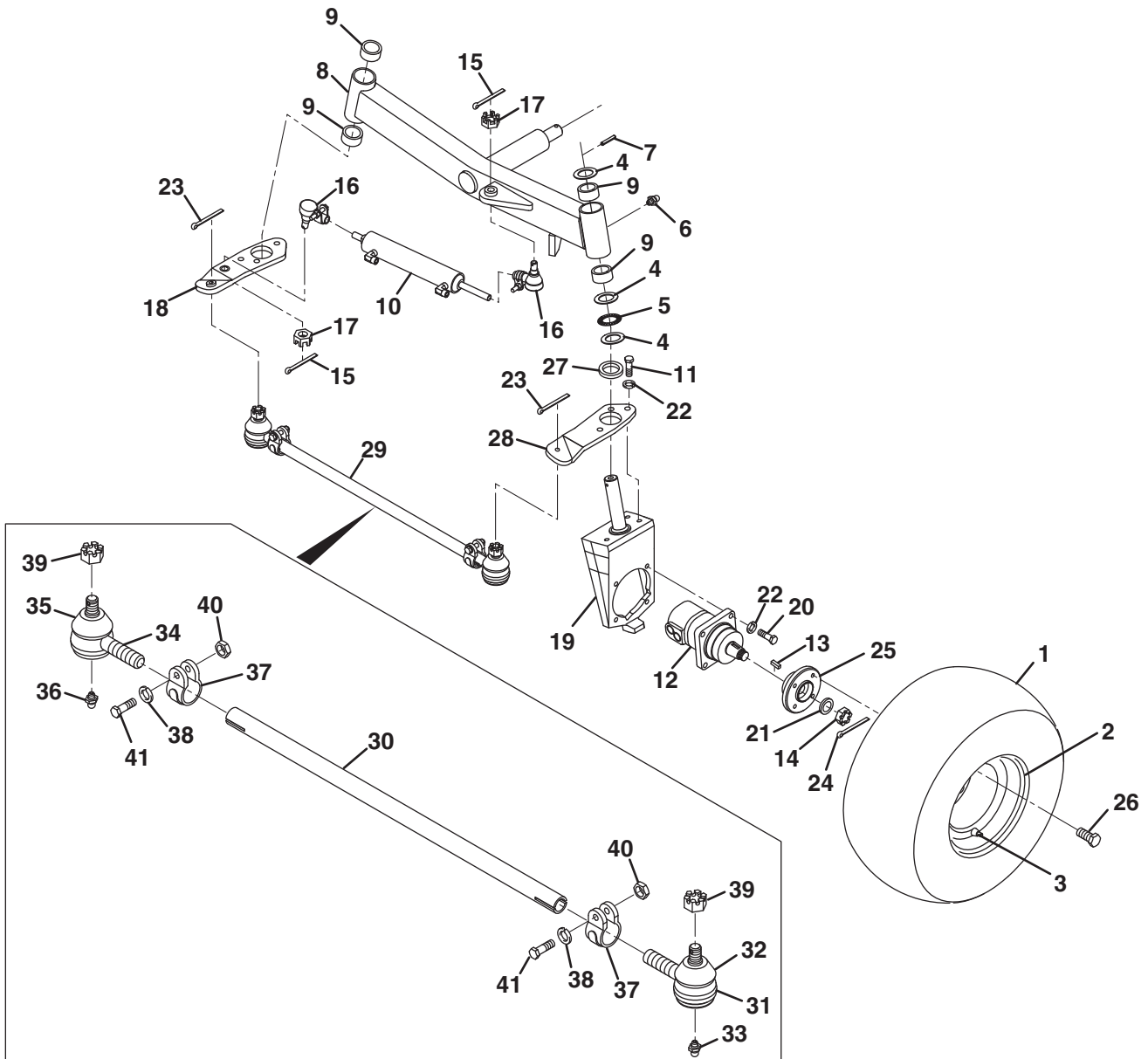
Item	Part No.	Qty.	Description	Serial Numbers/Notes
1	4238282	2	Tire, 26.5 x 14-12	
2	4251534	1	Rim, 12 x 10.5	
3	360111	2	Valve, Inflation	
4	4265651	2	Wheel Motor	
	4274170	1	• Complete Seal Kit	
	4274171	1	• Brake Seal Kit	
	4274172	1	• Kit, Brake	
	4274173	1	• Kit, Brake Disc	
	4274174	1	• Bearing, Taper-In	
	4274175	1	• Bearing, Taper-Out	
	4274176	1	• Bearing Support Seal Kit	
	4274177	1	• Cam Ring	
5	008008460	5	• Nut, M14-1.5 x 34 mm Wheel	
6	400406	16	Screw, 1/2-13 x 1-1/4" Hex Head	
7	446154	16	Lockwasher, 1/2 Heavy	
8	4286211	1	Front Axle	
9	4285917	2	Bracket, Angle Upstop	
10	441616	4	Carriage Bolt, 5/16-18 x 1-1/4"	
11	453009	8	Flat Washer, 5/16	
12	446136	6	Lockwasher, 5/16 Heavy	
13	443106	6	Nut, 5/16-18 Hex	
14	523126	2	Bumper, Rubber	
15	445781	2	Nut, 5/16-18 Whizlock Flange	
16	4283502	1	Plate, Bulkhead	
17	400188	2	Screw, 5/16-18 x 1" Hex Head	

> Change from previous revision

AR722T

Serial No. All

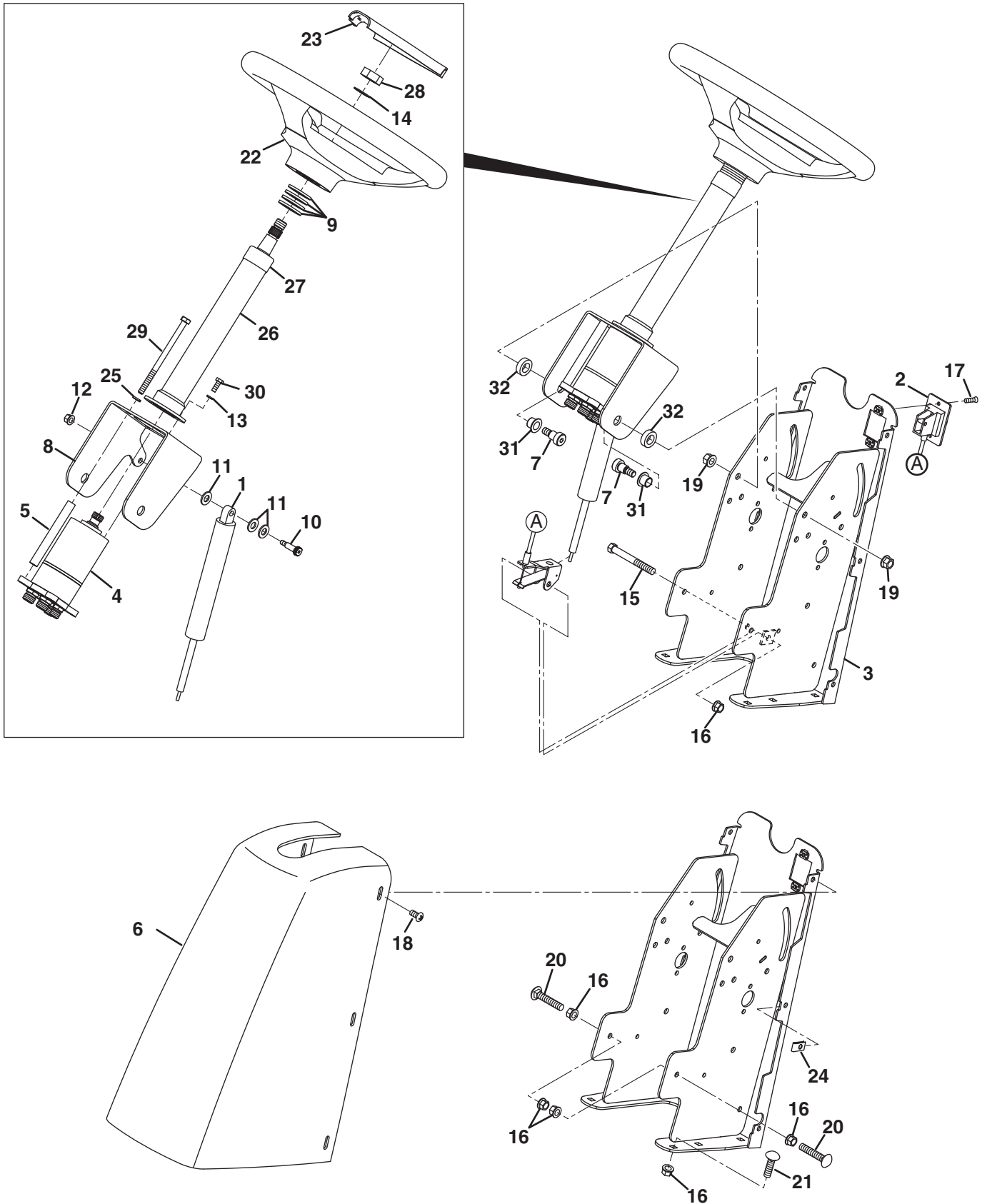
9.1 Rear Axle



Item	Part No.	Qty.	Description	Serial Numbers/Notes
1	4238283	2	Tire, 22.5 x 10-8 4 Ply	
2	4236021	2	Rim, 8 x 7"	
3	360111	2	Inflation Valve	
4	361648	6	Washer, Thrust	
5	361647	2	Bearing, Thrust	
6	471214	2	Fitting, Grease	
7	461393	2	Pin, Spring 1/4 x 2"	
8	4151058	1	Steering Axle	
9	3010489	4	• Bushing	
10	4271774	1	Cylinder, Steering	See 40.1
	4276851	1	• Seal Kit	
11	400406	6	Screw, 1/2-13 x 1-1/4" Hex Head	
12	4270035	2	Wheel Motor, Disk Valve	See 43.1
13	554780	2	• Key	
14	554779	2	• Nut	
15	460026	2	Cotter Pin, 1/8 x 3/4"	
16	4141925	2	Ball Joint	
	400194	2	• Screw, 5/16-18 x 1-3/4"	
	444718	2	• Locknut, 5/16-18 Hex	
17	445762	2	• Nut, 5/8-18 Slotted Hex	
18	4252433	1	Arm, Right Steering	
19	4149118	2	Motor Mount	
20	400410	8	Screw, 1/2-13 x 1-3/4" Hex Head	
21	361451	2	Washer, Thrust	
22	446154	14	Lockwasher, 1/2 Heavy	
23	460028	2	Cotter Pin, 1/8 x 1"	
24	460032	2	Cotter Pin, 1/8 x 1-1/2"	
25	2000012	2	Hub, Wheel	
26	353914	8	Wheel Bolt	
27	367350	2	Washer, Thrust	
28	4252432	1	Arm, Left Steering	
29	4132688	1	Tie Rod	
30	4118210	1	• Tie Rod	
31	4121828	1	• Ball Joint, Left Hand Thread	
32	4121986	1	• • Dust Cover	
33	471214	1	• • Straight Grease Fitting, 1/4-28	
34	4121829	1	• Ball Joint, Right Hand Thread	
35	4121986	1	• • Dust Cover	
36	471214	1	• • Straight Grease Fitting, 1/4-28	
37	322847	2	• Clamp, Tie Rod	
38	446136	2	• Lockwasher, 5/16 Heavy	
39	4124204	2	• Nut, 9/16-18 Slotted Hex	
40	443106	2	• Nut, 5/16-18 Hex	
41	400192	2	• Screw, 5/16-18 x 1-1/4" Hex Head	

> Change from previous revision

10.1 Tilt Steering

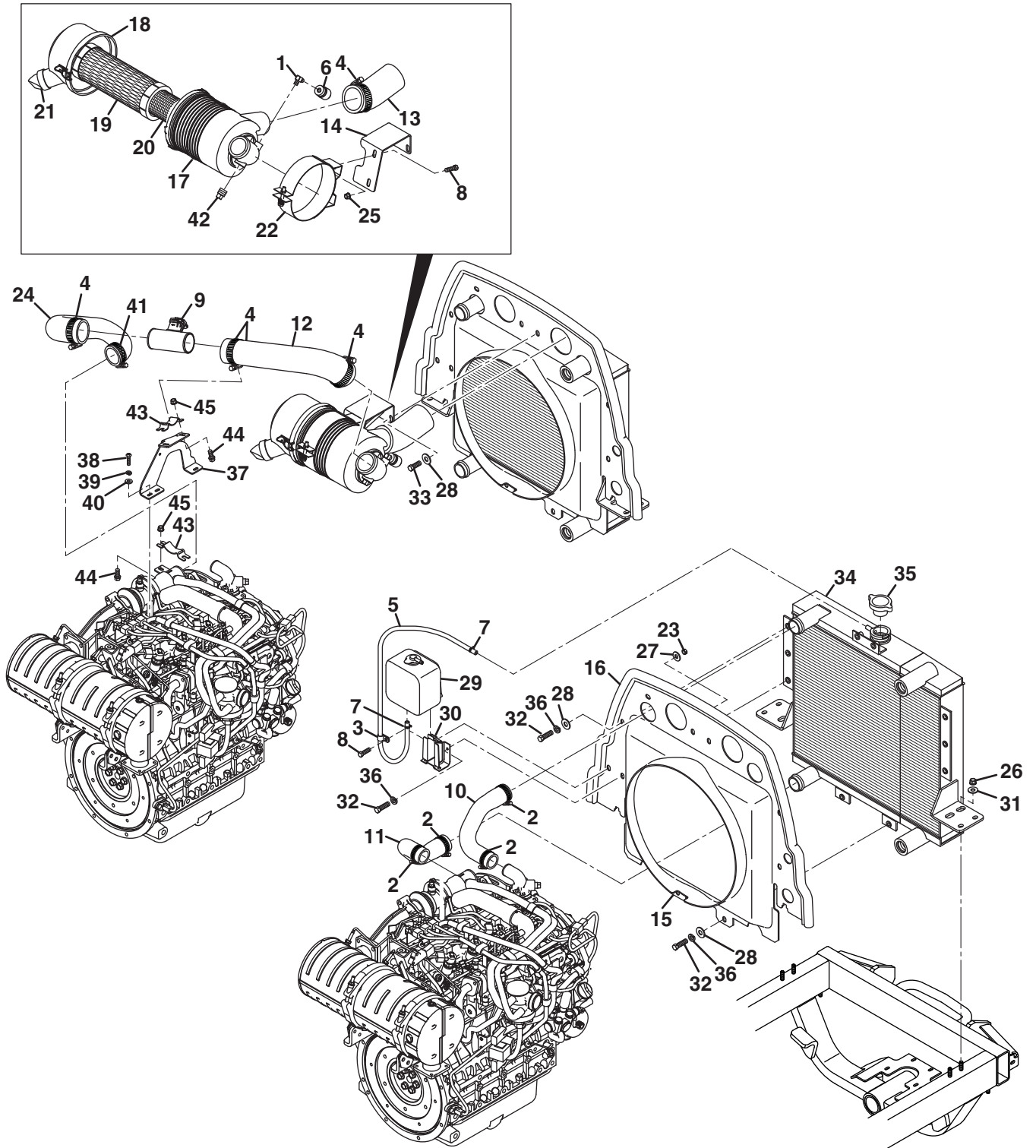


Item	Part No.	Qty.	Description	Serial Numbers/Notes
1	5002918	1	Actuator, Gas Spring	
2	5002919	1	Cable, Actuator	
3	4253491	1	Tower, Steering	
4	4291971	1	Valve, Steering	
	4197940	1	• Seal Kit	
	339908	2	• O-Ring, -4 ORFS	
	339909	3	• O-Ring, -6 ORFS	
5	4211400	4	Spacer, Steering Valve	
6	3010651	1	Cover, Steering Tower	
7	365033	2	Bolt, Shoulder	
8	4256510	1	Bracket, Steering Pump	
9	2811547	4	Washer	
10	4256511	1	Bolt, M6-1 Shoulder	
11	450390	3	Flat Washer, M8	
12	452418	1	Nut, M6-1 Flange	
13	450410	4	Lockwasher, M6	
14	447224	1	Lockwasher, 5/8 Internal	
15	400216	1	Screw, 5/16-18 x 2-3/4" Hex Head	
16	445795	9	Nut, 5/16-18 Spirallock Flange	
17	416911	2	Screw, #10-24 x 1/2" Thread Cutting	
18	404016	6	Screw, 1/4-20 x 5/8" Truss Head	
19	548804	2	Nut, 3/8-16 Hex Flange	
20	441677	2	Carriage Bolt, 5/16-18 x 1-1/2"	
21	441614	4	Carriage Bolt, 5/16-18 x 1"	
22	2811364	1	Steering Wheel	
23	2811365	1	• Cap, Steering Wheel	
24	445245	6	Tinnerman Nut	
25	450411	4	Lockwasher, M8	
26	4212980	1	Shaft, Steering	
27	4201840	1	• Shaft Seal	
28	443828	1	• Nut, 5/8-18 Hex	
29	64205-054	4	Screw, M8-1.25 x 130 mm Hex Head	
30	450168	4	Screw, M6-1 x 12 mm Hex Head	
31	4255270	2	Flanged Bearing	
32	4247312	2	Spacer	

> Change from previous revision

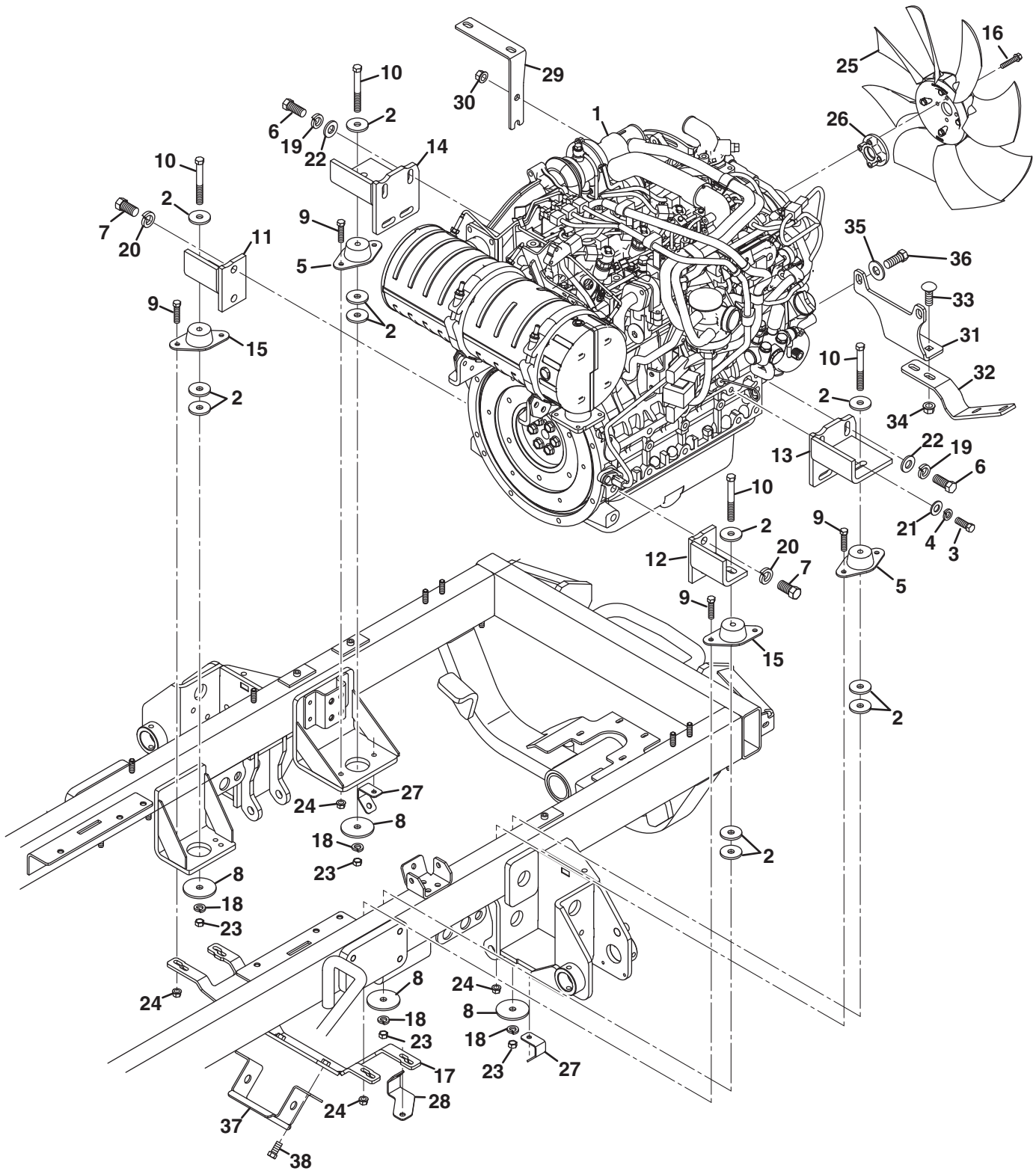
Item	Part No.	Qty.	Description	Serial Numbers/Notes
1	4266850	1	Engine, Kubota V2403 CR TE4	
2	4136120	1	• Adapter, Engine Oil Filter	
3	4133240	1	• Plug, Engine Oil Filter	
4	4133241	1	• O-Ring	
5	4133242	1	• O Ring	
6	4183634	1	• Head, Engine Oil Filter	
7	4113986	1	• Engine Oil Filter	
8	4135261	1	Hose, Engine to Filter	
9	4182500	1	Hose, Filter to Engine Oil Cooler	
10	4182501	1	Hose, Engine Oil Cooler to Engine	
11	452004	4	Flat Washer, 1/4	
12	446136	2	Lockwasher, 5/16 Heavy	
13	4186441	1	Fitting, 1/2 NPT x -8 ORFS Straight	
14	4133244	1	Bracket, Remote Oil Filter	
15	4182460	1	Engine Oil Cooler	
16	4133252	1	Tie, 3 Piece Cooler Mounting	Package of 4 mounting ties
17	4197640	4	Tube, Spacer	
18	4197641	1	Fitting, 3/8 NPT x -8 ORFS 45°	
19	829997	1	Grommet	
20	400264	2	Screw, 3/8-16 x 1-1/4" Hex Head	
21	446140	2	Lockwasher, 3/8	
22	452008	2	Flat Washer, 3/8	
23	REF	1	Radiator and Fan Shroud Assembly	See 12.1
24	450190	2	Screw, M8-1.25 x 16 mm Hex Head	
25	4137099	1	Fitting, 3/8 NPT x -8 ORFS 90°	

> Change from previous revision



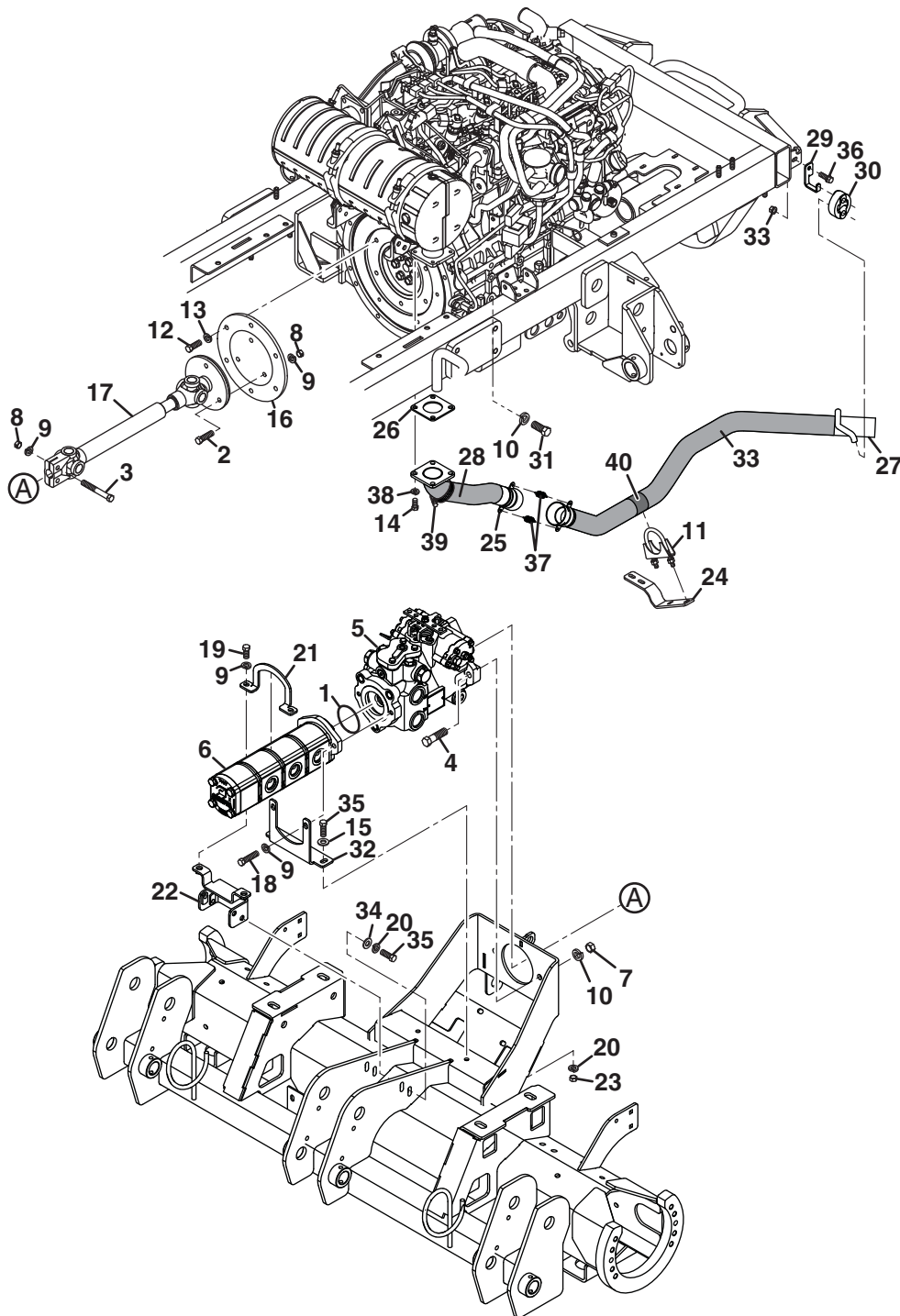
Item	Part No.	Qty.	Description	Serial Numbers/Notes
1	3002195	1	Elbow, 1/8 NPF 90°	
2	326112	5	Clamp, 1-5/16 to 2-1/4" Dia Hose	
3	345666	1	Clamp, 1/2" P Hose	
4	337229	4	Clamp, Hose	
5	554748	1	Hose, 5/16"	10 Foot Length, Cut to 33"
6	365398	1	Indicator, Air Cleaner	
7	48540-01	2	Clamp, 1/4" to 5/8" Dia Hose	
8	400188	3	Screw, 5/16-18 x 1" Hex Head	
9	4266170	1	Sensor, Mass Air-Flow (MAF)	REFERENCE U17, See 49.1
10	4177720	1	Hose, Radiator Inlet	
11	4177740	1	Hose, Radiator Outlet	
12	4267512	1	Hose, Air Cleaner to MAF Sensor	
13	4120977	1	Hose, Shroud to Air Cleaner	
14	4177901	1	Bracket, Air Cleaner	
15	4271570	1	Shroud, Fan	
16	4266292	1	Seal, Trim	10 Foot Length, Cut to 64"
17	4189940	1	Air Cleaner	
18	4133818	1	• Cover, Air Cleaner	
19	4133820	1	• Filter, Primary Air Cleaner	
20	4133821	1	• Filter, Safety Air Cleaner	
21	5003373	1	• Vactuator Valve	
22	4128084	1	Bracket, Air Cleaner Mount	
23	444718	1	Locknut, 5/16-18 Center	
24	4268371	1	Hose, MAF to Turbo Intake	
25	445795	2	Nut, 5/16-18 Spirallock Flange	
26	445796	4	Nut, 3/8-16 Spirallock Flange	
27	452006	1	Flat Washer, 5/16	
28	452008	5	Flat Washer, 3/8	
29	557367	1	Reserve Tank	
30	557374	1	Stay, Tank	
31	358794	4	Flat Washer, 3/8	
32	400264	4	Screw, 3/8-16 x 1-1/4" Hex Head	
33	400262	2	Screw, 3/8-16 x 1" Hex Head	
34	4180020	1	Radiator / Hydraulic Oil Cooler	
35	550863	1	• Radiator Cap	
36	446140	4	Lockwasher, 3/8	
37	4283119	1	Bracket	
38	450542	3	Screw, M6-1 x 20 mm Phillips Head	
39	446130	3	Lockwasher, 1/4 Heavy	
40	453023	3	Flat Washer, 1/4	
41	359615	1	Clamp, Hose	
42	472205	1	Plug, 3/8 NPT Square Head Pipe	
43	4301331	2	Bracket, Hose Clamp	
44	452388	4	Screw, M8-1.25 x 20 mm Hex Flange	
45	64246-02	4	Nut, M8-1.25 Whizlock Flange	

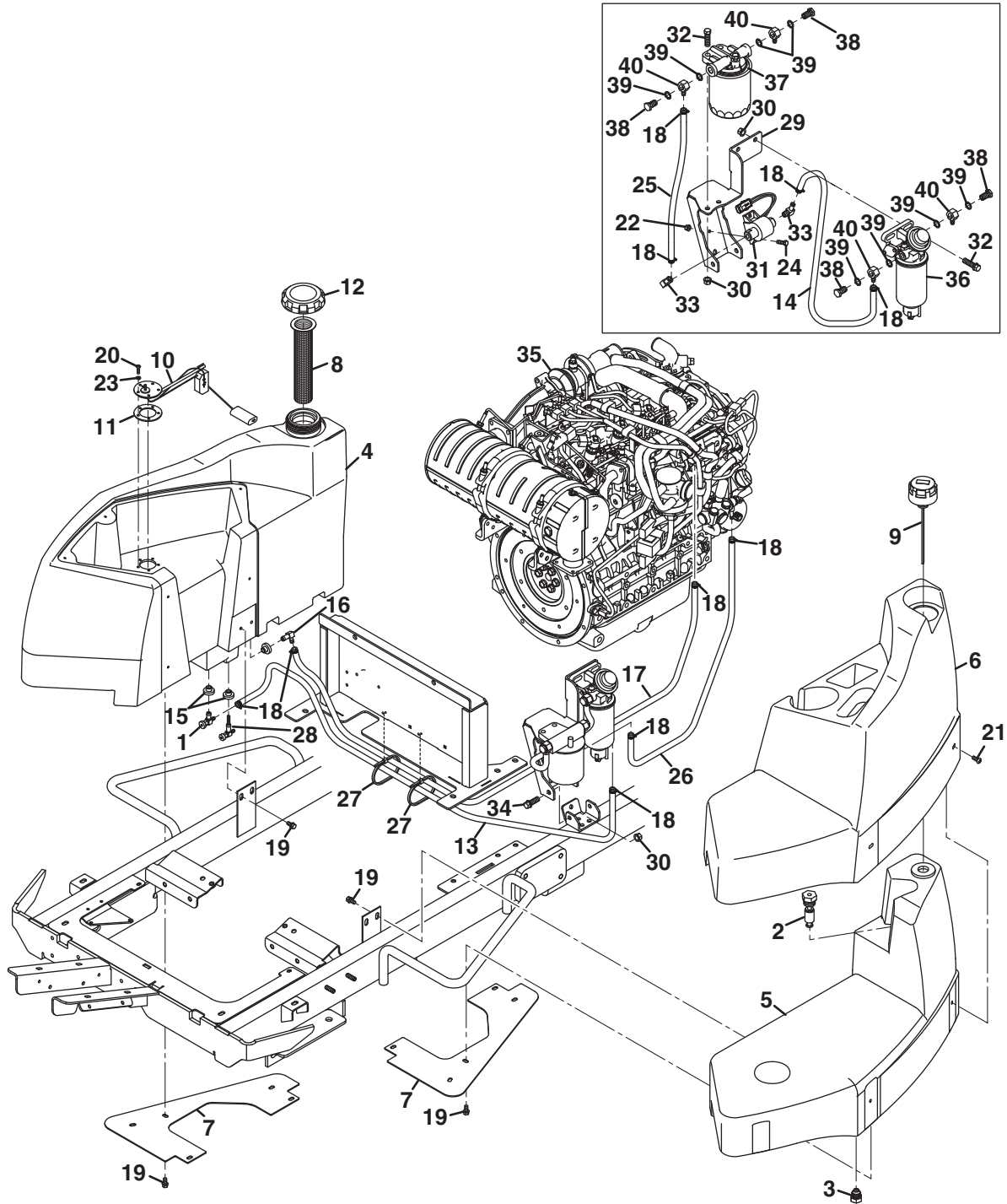
> Change from previous revision



Item	Part No.	Qty.	Description	Serial Numbers/Notes
1	4266850	1	Engine, V2403-M-DI-T	
	4113986	1	• Filter, Engine Oil	
2	310711	12	Washer, Isolator	
3	362263	1	Screw, M10-1.25 x 25mm Hex Head	
4	363485	3	Lockwasher, M10 Heavy	
5	4209701	2	Isolator, Rear Engine	
6	365979	8	Screw, M12-1.25 x 25mm Hex Head	
7	365981	4	Screw, M14-1.5 x 25mm Hex Head	
8	367031	4	Washer, Isolator	
9	400190	8	Screw, 5/16-18 x 1-1/4" Hex Head	
10	400276	4	Screw, 3/8-16 x 3" Hex Head	
11	4271537	1	Engine Mount, Right Side Front	
12	4271536	1	Engine Mount, Left Side Front	
13	4271291	1	Engine Mount, Left Side Rear	
14	4271292	1	Engine Mount, Right Side Rear	
15	4285113	2	Isolator, Front Engine	
16	452380	4	Screw, M6-1 x 30 mm Hex Flange	
17	4302171	1	Bracket, Oil Pan Protection	
18	446142	4	Lockwasher, 3/8 Heavy	
19	446154	8	Lockwasher, 1/2 Heavy	
20	446160	4	Lockwasher, 9/16 Heavy	
21	453013	1	Flat Washer, 7/16	
22	453017	7	Flat Washer, 1/2	
23	443110	4	Nut, 3/8-16 Hex	
24	445795	8	Nut, 5/16-18 Spirallock Flange	
25	4179804	1	Fan, 8 Blade	
26	4134383	1	Spacer, Fan	
27	4294171	2	Bracket, Clip	
28	4294295	1	Bracket, Clip	
29	4301893	1	Bracket, Hose Support	
30	400030	1	Nut, M8-1.25 Whizlock Flange	
31	4300792	1	Bracket, Exhaust Mount	
32	4300791	1	Bracket, Exhaust Mount	
33	440078	2	Carriage Bolt, 5/16-18 x 3/4"	
34	548911	2	Nut, 5/16-18 Hex Flange	
35	450401	2	Flat Washer, M10	
36	366884	2	Screw, M10-1.25 x 20 mm Hex Head	
37	4302131	1	Restraint, Hose	Wing Lift Cylinder Hoses, See 26.1
38	400184	2	Screw, 5/16-18 x 3/4" Hex Head	

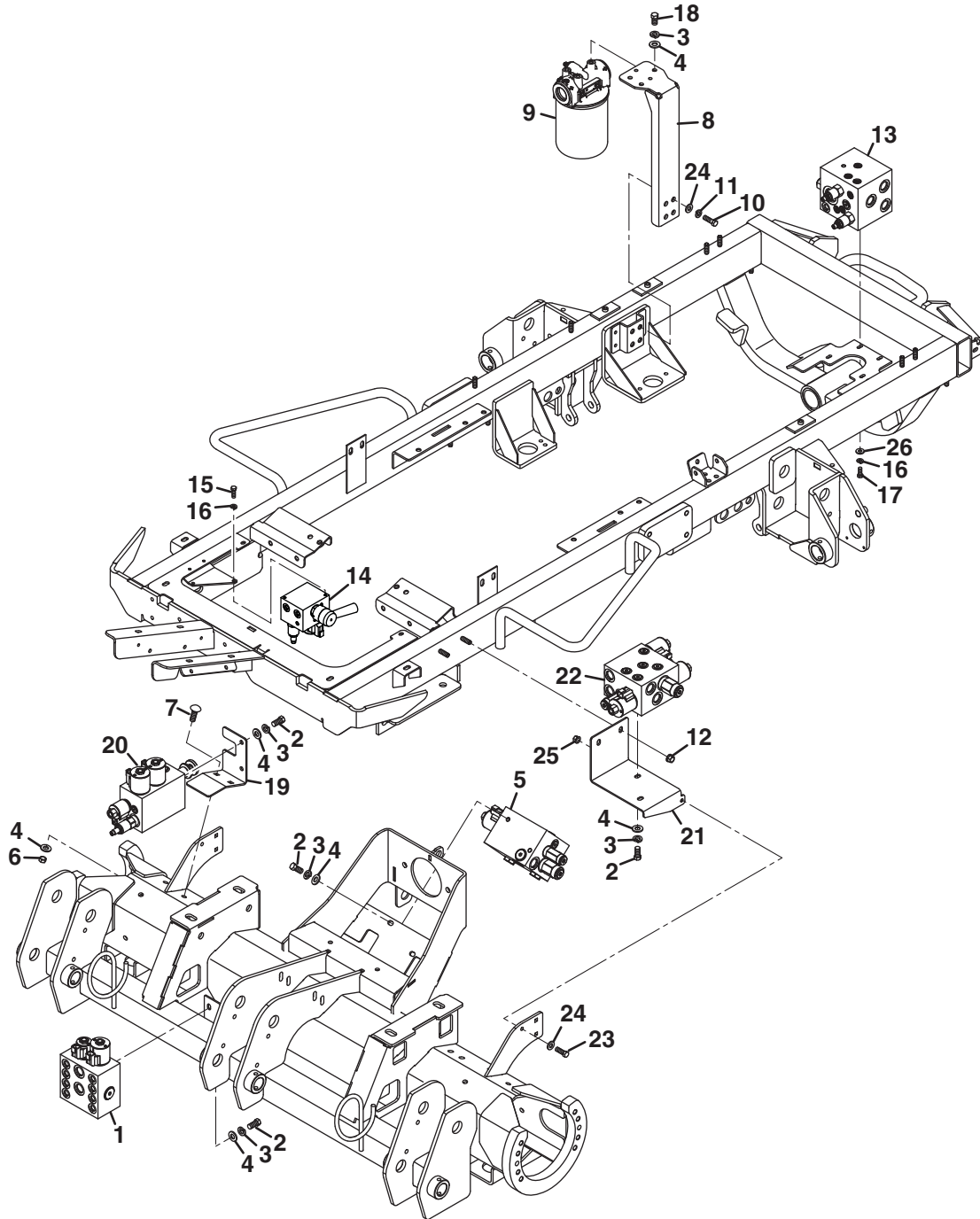
> Change from previous revision





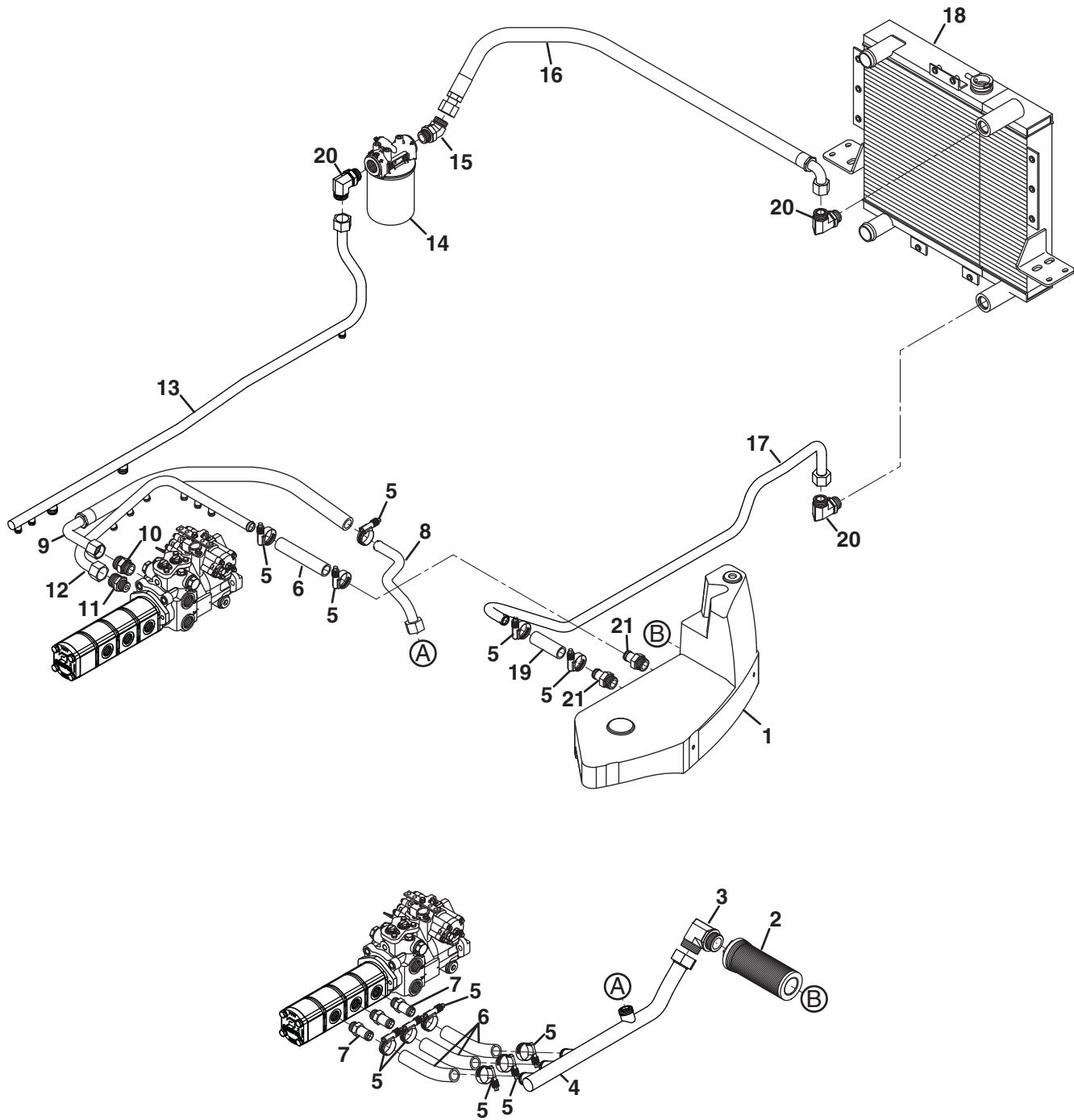
Item	Part No.	Qty.	Description	Serial Numbers/Notes
1	132647	1	Valve, Shut Off	REFERENCE SW17, See 49.1
2	3001279	1	Switch, Hydraulic Level	
3	3002397	1	Plug, Magnetic	
	339899	1	• O-Ring	
4	3009204	1	Fuel Tank	
5	3005871	1	Hydraulic Tank	
6	3005872	1	Shell, Tank Cover	
7	3006243	2	Plate, Tank Mounting	
8	3009347	1	Strainer, Fuel Filler	
9	3006332	1	Breather Filter	
10	3006337	1	Fuel Sender	REFERENCE R1, See 49.1
11	5003374	1	• Gasket	
12	4296372	1	Cap, Fuel Tank	
13	554748	1	Hose, Tank to Water Separator	10 Foot Length, Cut to 64"
14	554748	1	Hose, Water Separator to Fuel Pump	10 Foot Length, Cut to 10"
15	361117	3	Bushing, Fuel Tank	
16	3003704	1	Valve, Overflow	
17	554748	1	Hose, Engine to Fuel Tank	10 Foot Length, Cut to 64"
18	48540-01	10	Clamp, Hose	
19	403769	14	Screw, 1/4-20 x 1/2" Hex Flange	
20	403910	5	Screw, #10-24 x 1/2" Truss Head	
21	404016	4	Screw, 1/4-20 x 5/8" Truss Head	
22	445794	2	Nut, 1/4-20 Spirallock Flange	
23	446118	5	Lockwasher, #10 Heavy	
24	400110	2	Screw, 1/4-20 x 7/8" Hex Head	
25	554748	1	Hose, Fuel Pump to Fuel Filter	10 Foot Length, Cut to 7"
26	554748	1	Hose, Fuel Filter to Engine	10 Foot Length, Cut to 27"
27	473142	2	Cable Tie, 3/16 x 14"	
28	2810702	1	Valve, Inlet	
29	4273131	1	Bracket, Fuel System	
30	548804	7	Nut, 3/8-16 Whizlock Flange	
31	4272290	1	Pump, Fuel	REFERENCE M2, See 49.1
32	800714	4	Screw, 3/8-16 x 1-1/4" Hex Flange	
33	365976	2	Fitting,	
34	800709	3	Screw, 3/8-16 x 1" Hex Flange	
35	4266850	1	Engine, V2403-M-DI-T	
36	4280212	1	• Water Separator	
	4297126	1	• • Element, Water Separator	
37	4280171	1	• Fuel Filter	
	4297133	1	• • Cartridge, Filter	
38	4138103	4	• Bolt, Banjo	
39	4138107	8	• Washer, Brass	
40	2501172	1	• Fitting, Banjo	

> Change from previous revision



Item	Part No.	Qty.	Description	Serial Numbers/Notes
1	4129069	1	Lift Valve	See 36.1
2	400258	8	Screw, 3/8-16 x 3/4" Hex Head	
3	446140	10	Lockwasher, 3/8	
4	453011	12	Flat Washer, 3/8	
5	4217900	1	Deck Valve	See 37.1
6	445799	2	Locknut, 3/8-16 Hex	
7	441624	2	Carriage Bolt, 3/8-16 x 1"	
8	4270110	1	Bracket, Filter	
9	4121554	1	Hydraulic Filter Assembly	
	4121552	1	• Filter Head	
	555771	1	• Filter Element	
	556419	1	• Oil Switch	REFERENCE SW1, See 49.1
	4124755	1	• Visual Indicator	
10	400188	4	Screw, 5/16-18 x 1" Hex Head	
11	446136	4	Lockwasher, 5/16 Heavy	
12	445796	2	Nut, 3/8-16 Hex Flange	
13	4209880	1	4WD Valve	See 42.1
14	4286672	1	Valve, Brake Release	See 48.1
15	400108	2	Screw, 1/4-20 x 3/4" Hex Head	
16	446130	6	Lockwasher, 1/4 Heavy	
17	400106	4	Screw, 1/4-20 x 5/8" Hex Head	
18	400256	2	Screw, 3/8-16 x 5/8" Hex Head	
19	4277613	1	Bracket, Wing Lift Valve	
20	4270175	1	Valve, Wing Lift	See 38.1
21	4277612	1	Bracket, Wing Deck Valve	
22	4270176	1	Valve, Wing Deck	See 39.1
23	400186	1	Screw, 5/16-18 x 7/8" Hex Head	
24	453009	5	Flat Washer, 5/16	
25	445781	1	Nut, 5/16-18 Whizlock Flange	
26	453023	4	Flat Washer, 1/4	

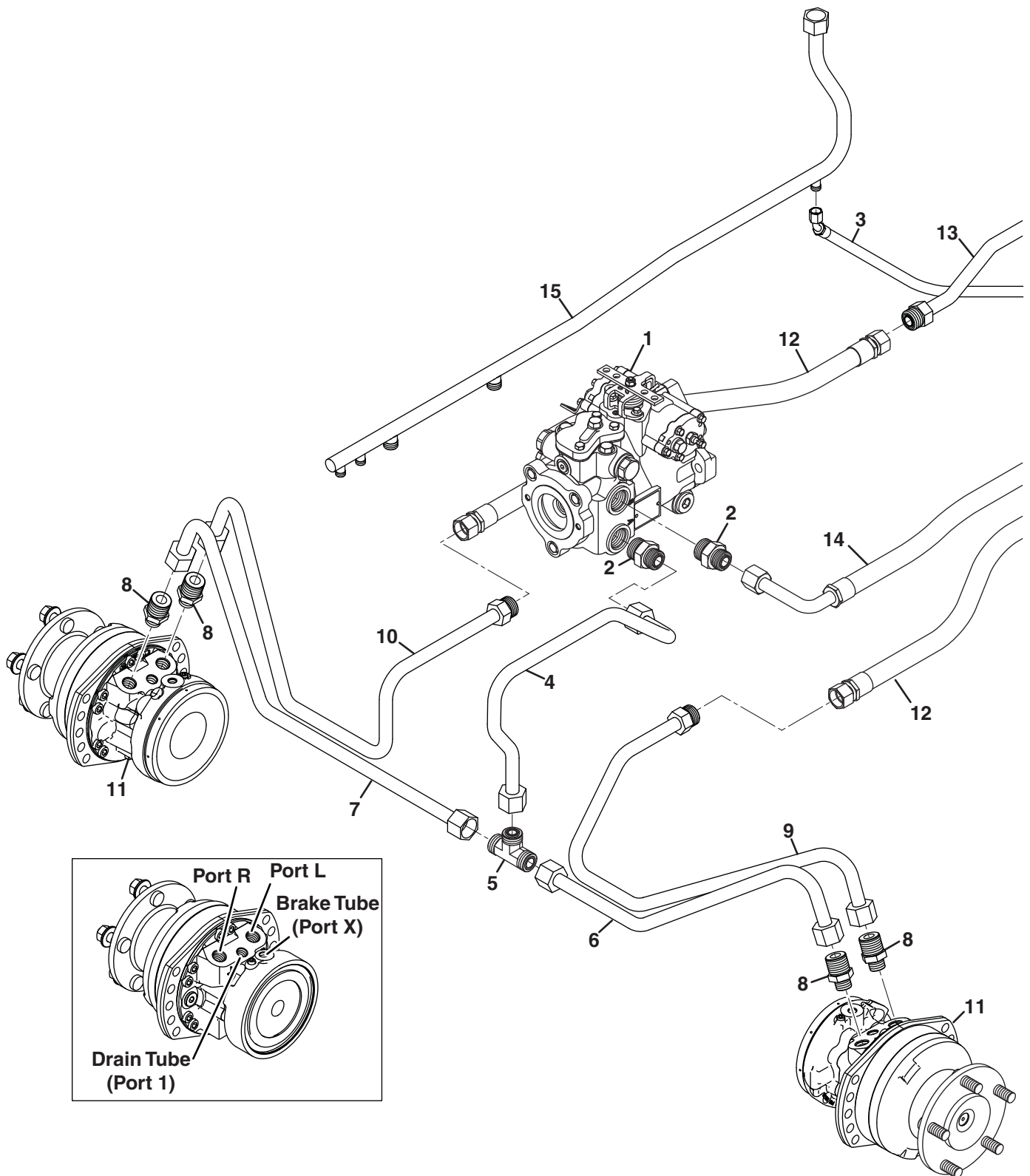
> Change from previous revision



Item	Part No.	Qty.	Description	Serial Numbers/Notes
1	3005871	1	Hydraulic Tank	See 15.1
2	365959	1	Strainer, Tank Mounted	
	2812075	1	• O-Ring	
3	340090	1	Fitting, -24 ORFS x -24 ORB 90°	
	339915	1	• O-Ring, -24 ORFS	
	339903	1	• O-Ring, -24 ORB	
4	4277373	1	Tube, Pump Suction	
	339913	1	• O-Ring, -16 ORFS	
5	3008673	11	Clamp, Constant Torque Hose	
6	4148857	4	Hose, Pump Suction	
7	3001296	3	Fitting, -12 ORB x 1" I.D. Hose	
	339900	1	• O-Ring, -12 ORB	
8	4269893	1	Tube, Charge Pump Suction	
9	4122538	1	Hose, Charge Pump Suction	
10	339999	2	Fitting, -16 ORFS x -16 ORB Straight	
	339913	1	• O-Ring, -16 ORFS	
	339901	1	• O-Ring, -16 ORB	
11	339998	1	Fitting, -16 ORFS x -12 ORB Straight	
	339913	1	• O-Ring, -16 ORFS	
	339900	1	• O-Ring, -12 ORB	
12	4269871	1	Tube, Drain	
	339909	6	• O-Ring, -6 ORFS	
13	4275810	1	Tube, Return Hoses to Oil Filter	
	339909	3	• O-Ring -6	
	339911	2	• O-Ring -10	
14	4121554	1	Hydraulic Filter Assembly	
15	340039	1	Fitting, -16 ORFS x -16 ORB 45°	
	339913	1	• O-Ring, -16 ORFS	
	339901	1	• O-Ring, -16 ORB	
16	4273990	1	Hose, Oil Filter to Oil Cooler	
17	4278011	1	Tube, Oil Cooler to Tank	
18	4180020	1	Radiator / Hydraulic Oil Cooler	See 12.1
19	4124647	1	Hose, Oil Cooler Return	
20	340077	3	Fitting, -16 ORFS x -16 ORB 90°	
	339913	1	• O-Ring, -16 ORFS	
	339901	1	• O-Ring, -16 ORB	
21	361689	2	Fitting, -16 ORB x 1" I.D. Hose	
	339913	1	• O-Ring, -16 ORFS	

> Change from previous revision

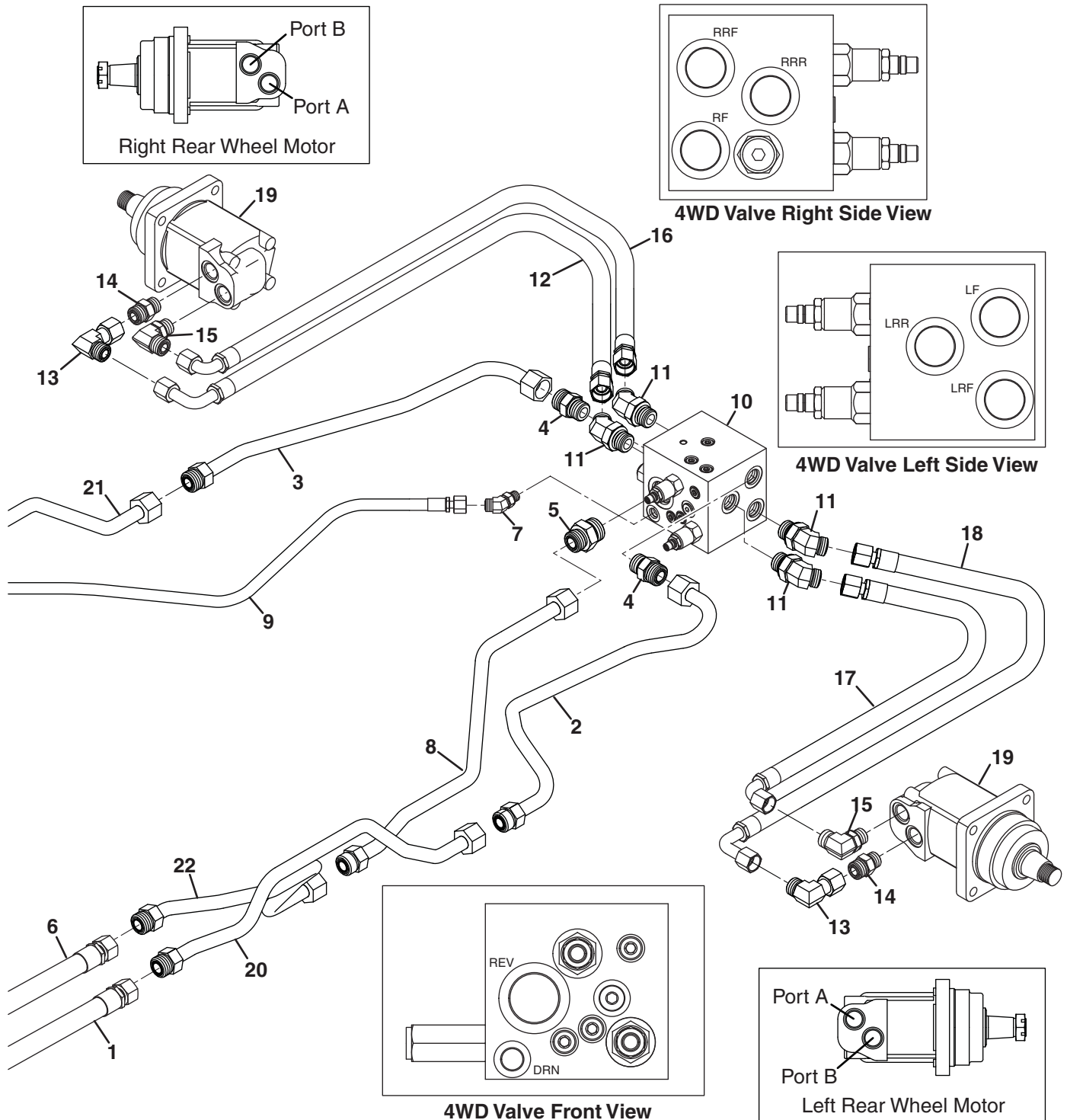
18.1 Front Traction Hydraulics



Item	Part No.	Qty.	Description	Serial Numbers/Notes
1	4290391	1	Pump, Traction	See 15.1 or 14.1
2	339996	2	Fitting, -12 ORFS x -16 ORB Straight	
	339912	1	• O-Ring, -12 ORFS	
	339901	1	• O-Ring, -16 ORB	
3	4277011	1	Hose, 4WD Valve Drain	See 19.1 for other end of hose
4	4270155	1	Tube, Drive Return	
5	340338	1	Tee, -12 ORFS Union	
	339912	3	• O-Ring, -12 ORFS	
6	4282791	1	Tube, Left Front Motor Front Tube	
7	4282812	1	Tube, Right Front Motor Front Tube	
8	339993	4	Fitting, -12 ORFS x -10 ORB Straight	
	339912	1	• O-Ring, -12 ORFS	
	339899	1	• O-Ring, -10 ORB	
9	4282831	1	Tube, Left Front Motor Rear Port	
	339912	1	• O-Ring, -12 ORFS	
10	4282811	1	Tube, Right Front Motor Rear Port	
	339912	1	• O-Ring, -12 ORFS	
11	4265651	2	Front Wheel Motor	See 8.1
12	4128977	2	Hose, Front Motor to 4WD Tube	See 19.1 for other end of left hose
13	4294131	1	Tube, Right Side 4WD	See 19.1 for other end of tube
	339912	1	• O-Ring, -12 ORFS	
14	4283500	1	Hose, 4WD Valve to Traction Pump	See 19.1 for other end of hose
15	4275810	1	Tube, Return Hoses to Oil Filter	See 17.1
	339909	3	• O-Ring -6	
	339911	1	• O-Ring -10	

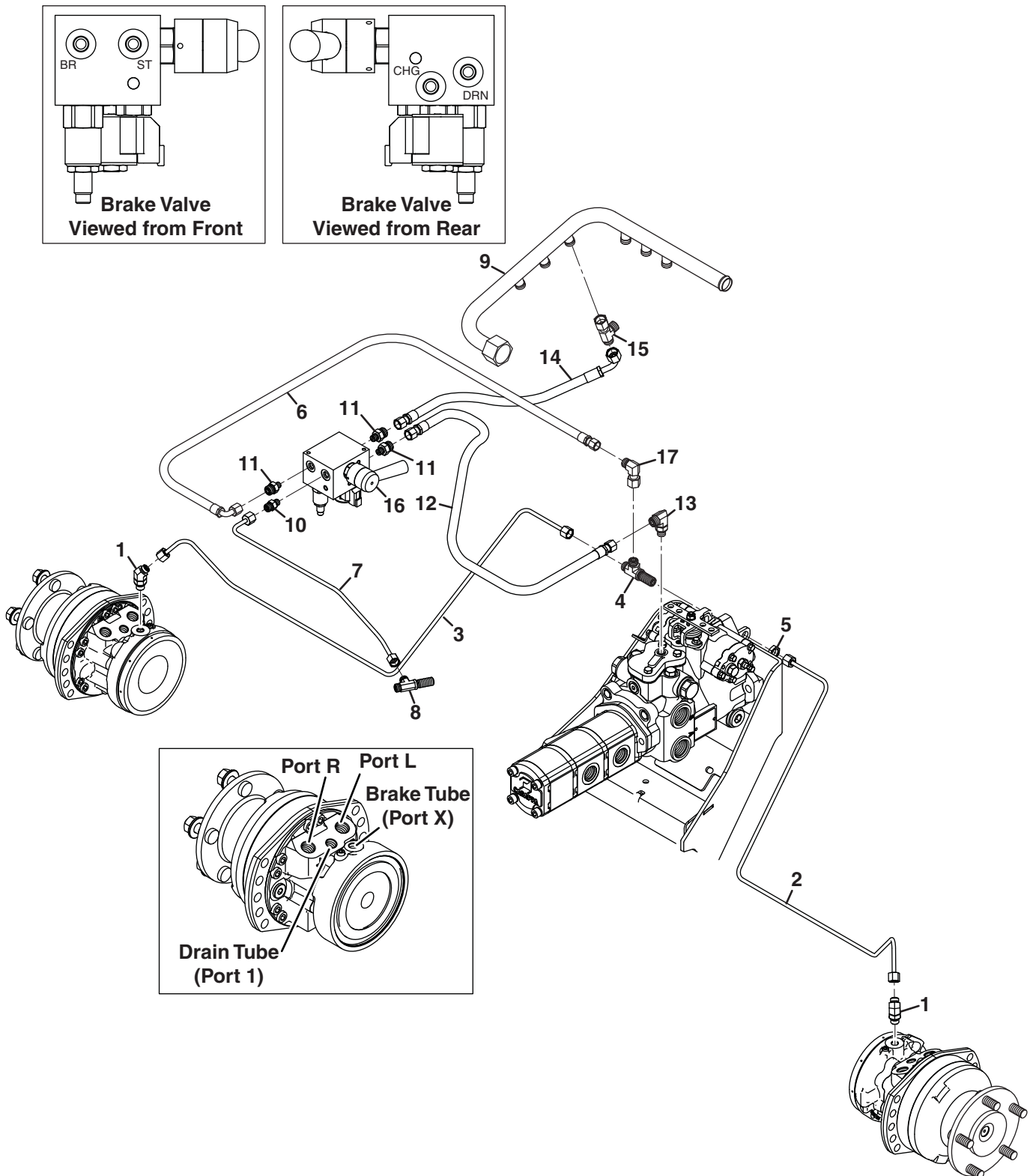
> Change from previous revision

19.1 Rear Traction Hydraulics



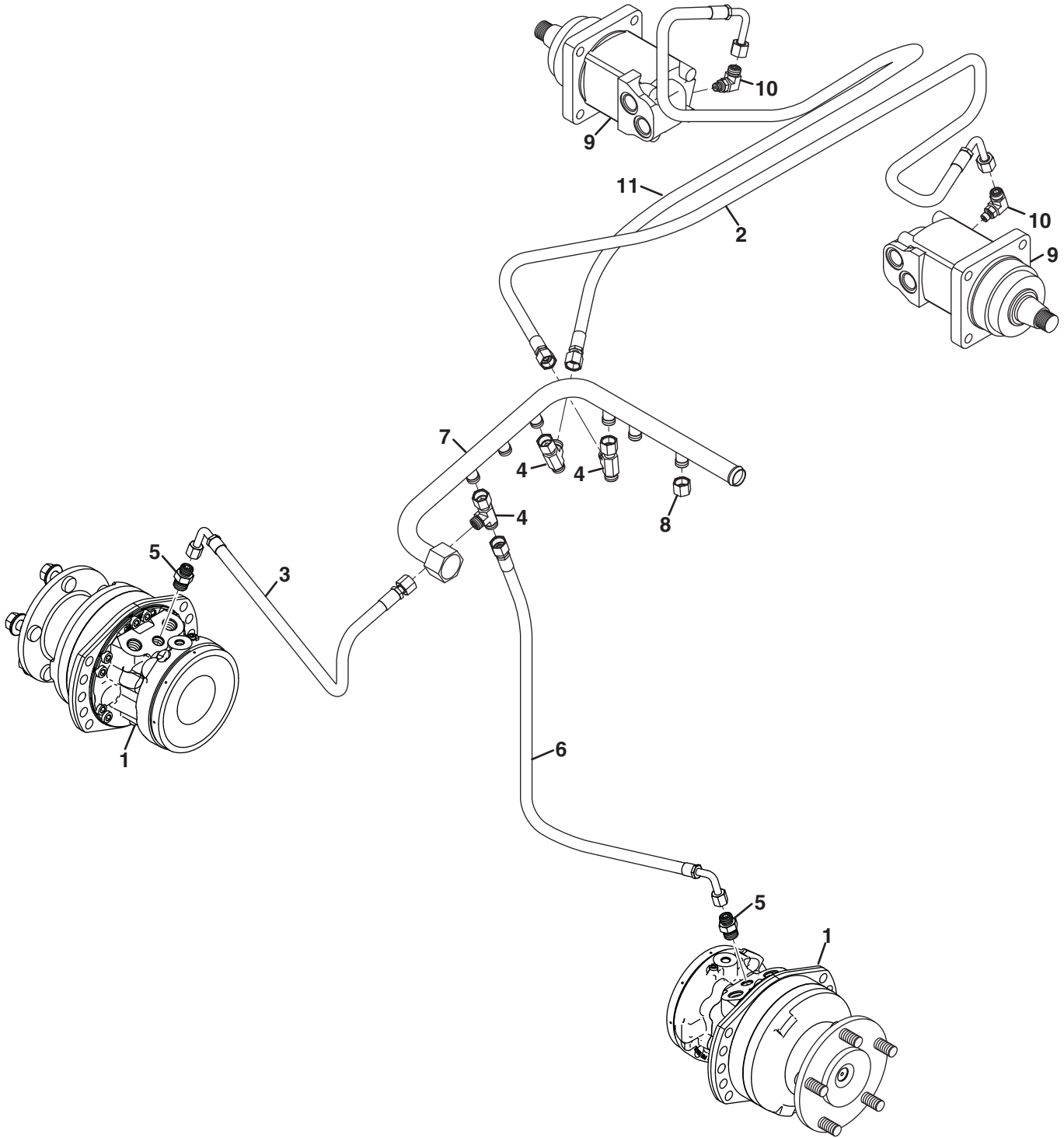
Item	Part No.	Qty.	Description	Serial Numbers/Notes	
1	4128977	1	Hose, Front Motor to 4WD Tube	See 18.1 for other end of hose	
2	4294172	1	Tube, Left Side 4WD Valve	4WD Port LF	
	339912	1	• O-Ring, -12 ORFS		
3	4294132	1	Tube, Right Side 4WD Valve		
	339912	1	• O-Ring, -12 ORFS		
4	339994	2	Fitting, -12 ORFS x -12 ORB Straight		
	339912	1	• O-Ring, -12 ORFS		
	339900	1	• O-Ring, -12 ORB		
5	339996	1	Fitting, -12 ORFS x -16 ORB Straight	4WD Port REV	
	339912	1	• O-Ring, -12 ORFS		
	339901	1	• O-Ring, -16 ORB		
6	4283500	1	Hose, 4WD Valve to Traction Pump	See 18.1 for other end of hose	
7	340026	1	Fitting, -6 ORFS x -6 ORB 45°	4WD Port DRN	
	339909	1	• O-Ring, -6 ORFS		
	339897	1	• O-Ring, -6 ORB		
8	4294294	1	Tube, 4WD Valve		
	339912	1	• O-Ring, -12 ORFS		
9	4277011	1	Hose, 4WD Valve Drain	See 18.1 for other end of hose	
10	4209880	1	4WD Valve	See 42.1	
11	340034	4	Fitting, -10 ORFS x -12 ORB 45°		
	339911	1	• O-Ring, -10 ORFS		
	339900	1	• O-Ring, -12 ORB		
◆	12	4137608	1	Hose, 4WD Valve to Wheel Motor	4WD Valve Port RRR, Motor Port B
	13	340377	2	Fitting, -10 ORFS 90° Swivel	
	339911	1	• O-Ring, -10 ORFS		
	14	339989	2	Fitting, -10 ORFS x -10 ORB Straight	
	339911	1	• O-Ring, -10 ORFS		
	339899	1	• O-Ring, -10 ORB		
	15	340070	2	Fitting, -10 ORFS x -10 ORB 90°	
	339911	1	• O-Ring, -10 ORFS		
	339899	1	• O-Ring, -10 ORB		
◆	16	4137607	1	Hose, 4WD Valve to Wheel Motor	4WD Valve Port RRF, Motor Port A
●	17	4137608	1	Hose, 4WD Valve to Wheel Motor	4WD Valve Port LRR, Motor Port A
●	18	4137607	1	Hose, 4WD Valve to Wheel Motor	4WD Valve Port LRF, Motor Port B
	19	4270035	2	Rear Wheel Motor	See 9.1
	20	4294173	1	Tube, Left Side	
	339912	1	• O-Ring, -12 ORFS		
	21	4294131	1	Tube, Right Side	
	339912	1	• O-Ring, -12 ORFS		
	22	4294293	1	Tube, 4WD Reverse	
	339912	1	• O-Ring, -12 ORFS		
◆	Included in Right Rear Motor Hose Bundle 4137623				
●	Included in Left Rear Motor Hose Bundle 4137625				

> Change from previous revision



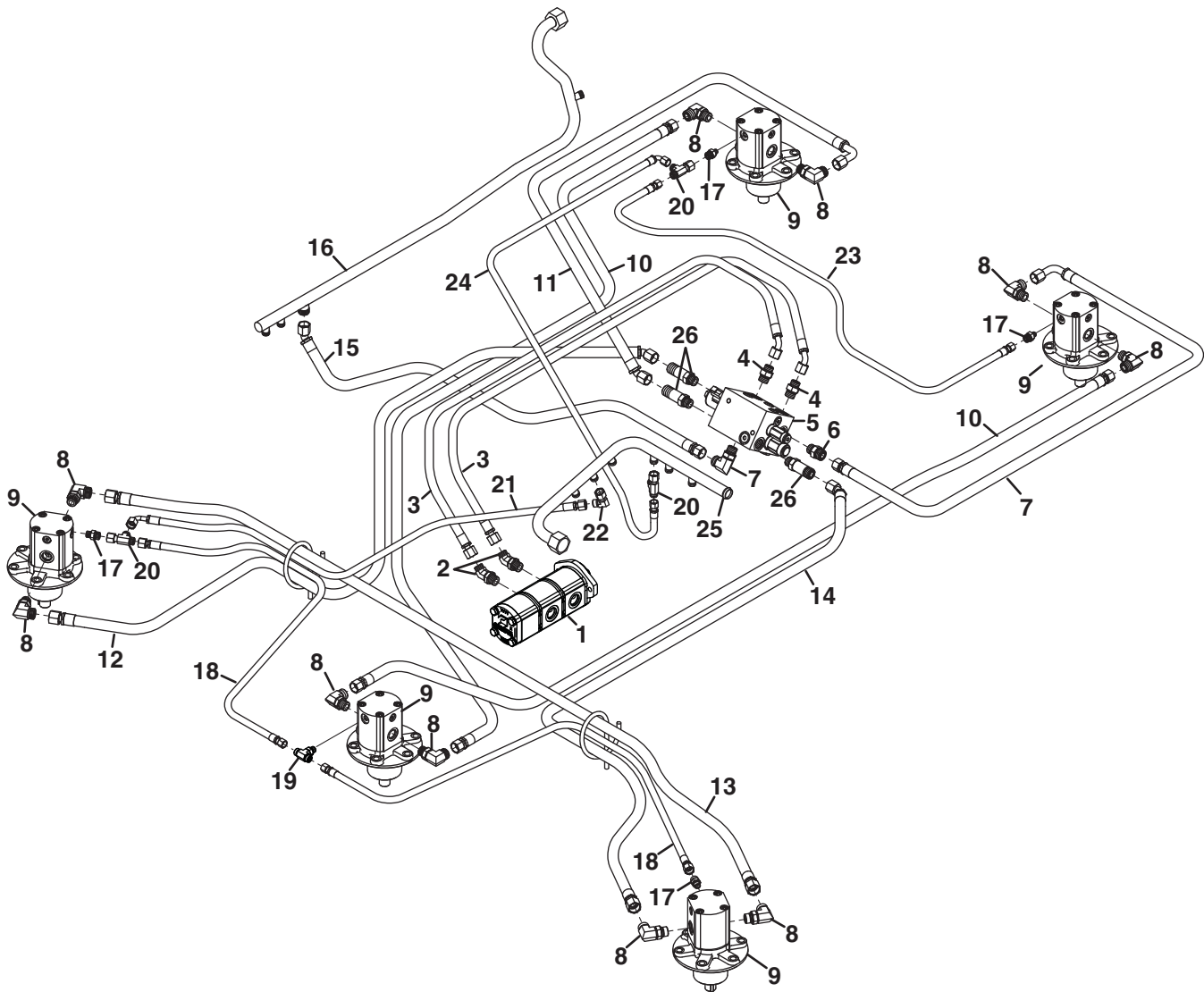
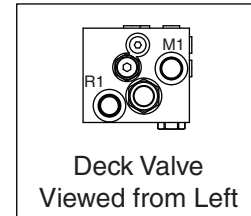
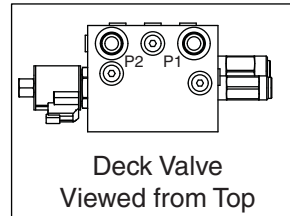
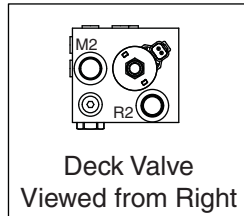
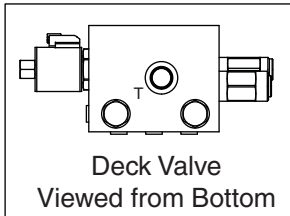
Item	Part No.	Qty.	Description	Serial Numbers/Notes
1	340026	2	Fitting, -6 ORFS x -6 ORB 45°	Motor Port X Motor Port X Brake Valve Port BR Brake Valve Port ST See 25.1 for tee connections See 17.1 for mounting location Brake Valve Port CHG Brake Valve Port DRN See 21.1 for tee connections See 16.1 for mounting location
	339909	1	• O-Ring, -6 ORFS	
	339897	1	• O-Ring, -6 ORB	
2	4282836	1	Tube, Tee to Right Wheel Motor	
3	4282837	1	Tube, Tee to Left Wheel Motor	
4	340215	2	Tee, -6 ORFS Bulkhead Run	
	339909	3	• O-Ring, -6 ORFS	
5	339961	1	Nut, 13/16-18 -4 ORFS Nut	
6	4129600	1	Hose, Brake Valve to Motor Tee	
7	4282832	1	Hose, Bulkhead Tee to Brake Valve	
8	340214	2	Tee, -4 ORFS Bulkhead Run	
	339908	3	• O-Ring, -4 ORFS	
9	4269871	1	Tube, Drain	
	339909	6	• O-Ring, -6 ORFS	
10	339972	1	Fitting, -4 ORFS x -4 ORB Straight	
	339908	1	• O-Ring, -4 ORFS	
	339896	1	• O-Ring, -4 ORB	
11	339977	3	Fitting, -6 ORFS x -4 ORB Straight	
	339909	1	• O-Ring, -6 ORFS	
	339896	1	• O-Ring, -4 ORB	
12	4282834	1	Hose, Pump to Brake Valve	
13	340061	1	Fitting, -6 ORFS x -6 ORB 90°	
	339909	1	• O-Ring, -6 ORFS	
	339897	1	• O-Ring, -6 ORB	
14	4282835	1	Hose, Brake Valve to Return Tube	
15	340119	1	Tee, -6 ORFS Swivel Run	
	339909	2	• O-Ring, -6 ORFS	
16	4286672	1	Valve, Brake Release	
17	340375	1	Fitting, -6 ORFS 90° Swivel	
	339909	1	• O-Ring, -6 ORFS	

> Change from previous revision



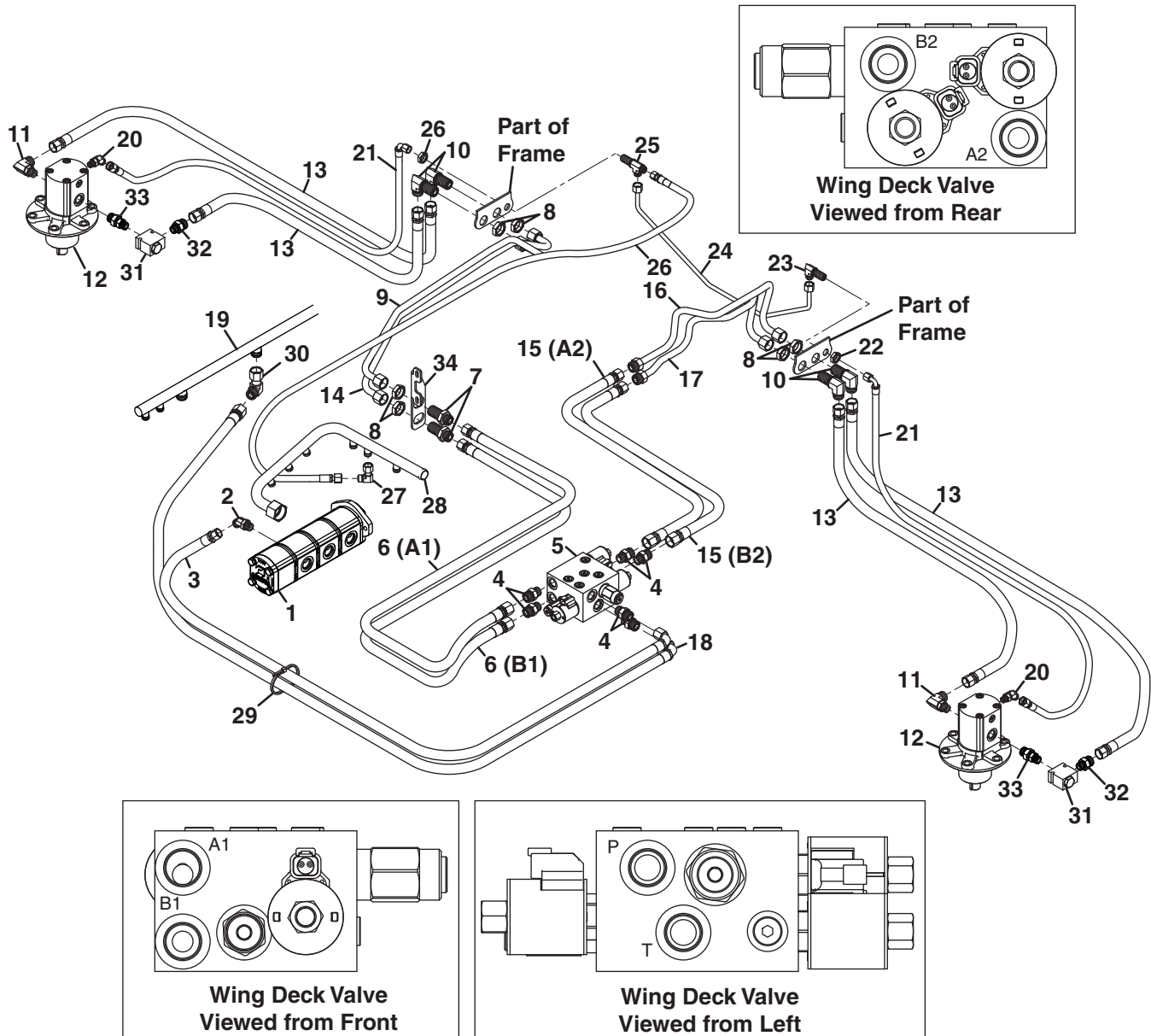
Item	Part No.	Qty.	Description	Serial Numbers/Notes
● 1	4265651	2	Front Wheel Motor	See 8.1
● 2	4137634	1	Hose, Left Rear Motor to Drain Tube	
3	4129040	1	Hose, Right Front Motor to Drain Tube	
4	340119	3	Tee, -6 ORFS Swivel Run	
	339909	2	• O-Ring, -6 ORFS	
5	339980	2	Fitting, -6 ORFS x -8 ORB Straight	
	339909	1	• O-Ring, -6 ORFS	
	339898	1	• O-Ring, -8 ORB	
6	4282839	1	Hose, Left Front Motor to Drain Tube	
7	4269871	1	Tube, Drain	See 17.1
	339909	6	• O-Ring, -6 ORFS	
8	339921	1	Cap, -6 ORFS	
9	4270035	2	Rear Wheel Motor	See 9.1
10	340059	2	Fitting, -6 ORFS x -4 ORB 90°	
	339909	1	• O-Ring, -6 ORFS	
	339896	1	• O-Ring, -4 ORB	
◆ 11	4137624	1	Hose, Right Rear Motor to Drain Tube	
◆	Included in Right Rear Motor Hose Bundle 4137623			
●	Included in Left Rear Motor Hose Bundle 4137625			

> Change from previous revision



Item	Part No.	Qty.	Description	Serial Numbers/Notes
1	REF	1	Gear Pump	See 15.1
2	340030	2	Fitting, -8 ORFS x -10 ORB 45°	
	339910	1	• O-Ring, -8 ORFS	
	339899	1	• O-Ring, -10 ORB	
3	4129015	2	Hose, Gear Pump to Deck Valve	Deck Valve Ports P1 and P2
4	339985	2	Fitting, -8 ORFS x -10 ORB Straight	
	339910	1	• O-Ring, -8 ORFS	
	339899	1	• O-Ring, -10 ORB	
5	4217900	1	Deck Valve	See 16.1
6	339989	1	Fitting, -10 ORFS x -10 ORB Straight	
	339911	1	• O-Ring, -10 ORFS	
	339899	1	• O-Ring, -10 ORB	
7	4129595	1	Hose, Deck Valve to Left Rear Motor	Deck Valve Port M1
8	340070	11	Fitting, -10 ORFS x -10 ORB 90°	
	339911	1	• O-Ring, -10 ORFS	
	339899	1	• O-Ring, -10 ORB	
9	4256392	5	Motor, Hydraulic Deck	Includes one (1) of Item 17
	4136829	1	• Seal Kit	
	4115706	1	• Check Valve	
10	4137383	2	Hose, Rear Motor to Center Motor	
11	4263970	1	Hose, Right Rear Motor to Deck Valve	Deck Valve Port R2
12	4137589	1	Hose, Deck Valve to Right Front Motor	Deck Valve Port M2
13	4137382	1	Hose, Right Front to Left Front Motor	
14	4137588	1	Hose, Left front Motor to Deck Valve	Deck Valve Port R1
15	4129597	1	Hose, Deck Valve to Return Tube	Deck Valve Port T
16	4275810	1	Tube, Return Hoses to Oil Filter	See 17.1
	339911	1	• O-Ring -10 ORFS	
17	339979	4	Fitting, -6 ORFS x -6 ORB Straight	
	339909	1	• O-Ring -6 ORFS	
	339897	1	• O-Ring, -6 ORB	
18	4137561	2	Hose, Outside to Center Motor Drain	
19	340096	1	Tee, -6 ORFS Straight x -6 ORB Branch	
	339909	2	• O-Ring -6 ORFS	
	339897	1	• O-Ring, -6 ORB	
20	340119	3	Tee, -6 ORFS Swivel Run	
	339909	2	• O-Ring -6 ORFS	
21	4137562	1	Hose, Front Motors Drain	
22	340375	1	Fitting, -6 ORFS 90° Swivel	
	339909	1	• O-Ring -6 ORFS	
23	4129603	1	Hose, Left to Right Rear Motor Drain	
24	4129600	1	Hose, Rear Motor Drain	
25	4269871	1	Tube, Drain	See 17.1
	339909	6	• O-Ring, -6 ORFS	
26	340009	3	Fitting, -10 ORFS x -10 ORB Long	
	339911	1	• O-Ring, -10 ORFS	
	339899	1	• O-Ring, -10 ORB	

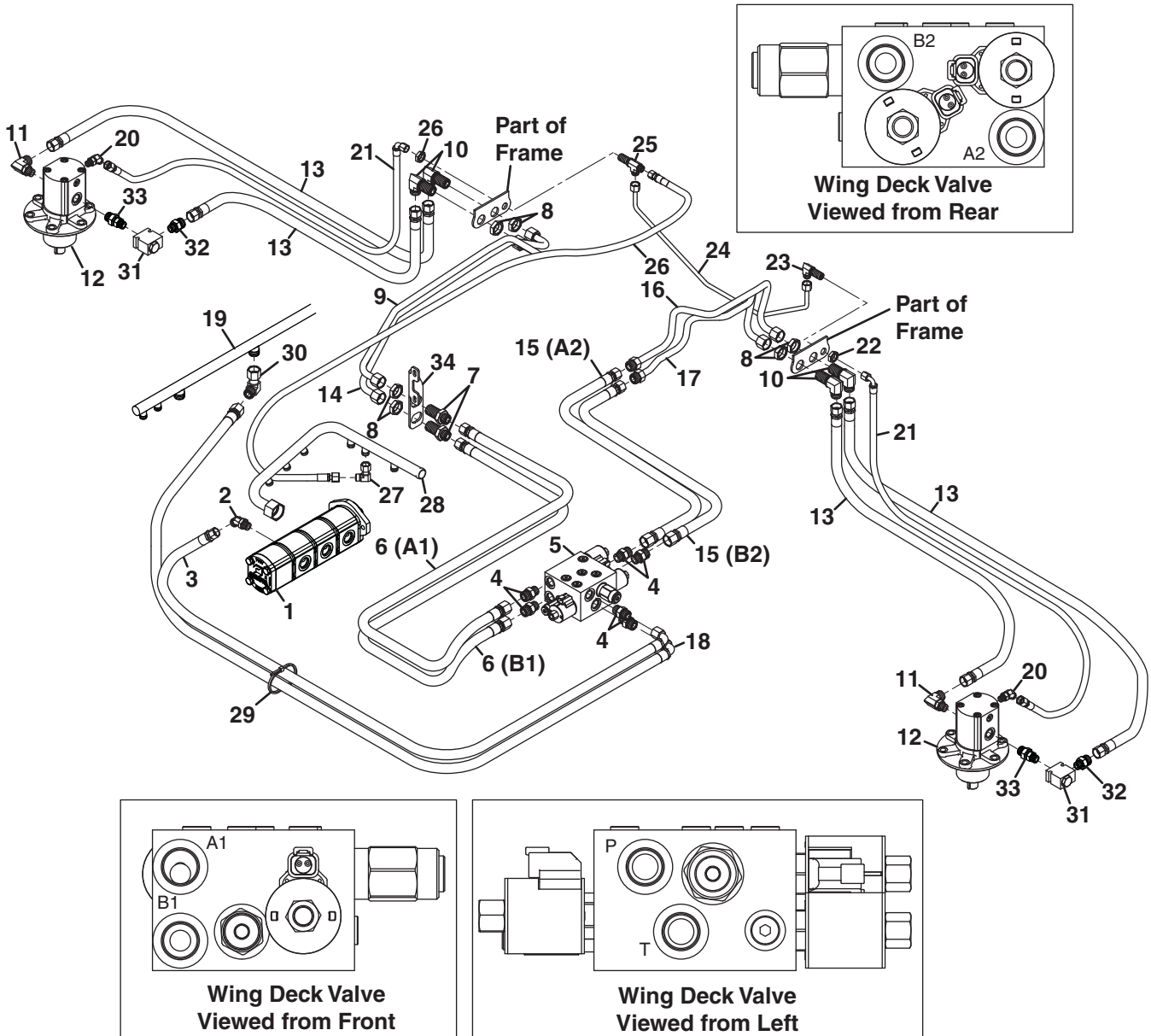
> Change from previous revision



Item	Part No.	Qty.	Description	Serial Numbers/Notes
1	4270170	1	Pump, 4 Section Gear	See 14.1
2	340030	1	Fitting, -8 ORFS x -10 ORB 45°	
	339910	1	• O-Ring, -8 ORFS	
	339899	1	• O-Ring, -10 ORB	
3	4278873	1	Hose, Gear Pump to Wing Deck Valve	
4	339989	6	Fitting, -10 ORFS x -10 ORB Straight	
	339911	1	• O-Ring, -10 ORFS	
	339899	1	• O-Ring, -10 ORB	
5	4270176	1	Valve, Wing Deck	See 16.1 and See 39.1
6	1001503	2	Hose, Right Wing Deck	
7	340241	2	Fitting, -10 ORFS Straight Bulkhead	
	339911	2	• O-Ring, -10 ORFS	
8	339963	6	Nut, 1-14 Hex Bulkhead	
9	4302993	1	Tube, Right Wing Deck Pressure	
10	340169	4	Fitting, -10 ORFS 90° Bulkhead	
	339911	2	• O-Ring, -10 ORFS	
11	340070	4	Fitting, -10 ORFS x -10 ORB 90°	
	339911	1	• O-Ring, -10 ORFS	
	339899	1	• O-Ring, -10 ORB	
12	4256392	5	Motor, Hydraulic Deck	
	4136829	1	• Seal Kit	
	4115706	1	• Check Valve	
13	4278713	4	Hose, Wing Deck Motor	
14	4278752	1	Tube, Right Wing Deck Return	
15	132595	2	Hose, Left Wing Deck	
16	4283496	1	Tube, Left Wing Deck Pressure	Includes -10 ORFS O-Ring
17	4283495	1	Tube, Left Wing Deck Return	Includes -10 ORFS O-Ring
18	4278874	1	Hose, Wing Deck Valve to Return Tube	
19	4278510	1	Tube, Return Hoses to Oil Filter	See 17.1
	339911	2	• O-Ring -10	
20	340026	2	Fitting, -6 ORFS x -6 ORB 45°	
	339909	1	• O-Ring -6 ORFS	
	339897	1	• O-Ring, -6 ORB	
21	4278714	2	Hose, Wing Deck Motor Drain	
22	339961	2	Nut, 11/16-16 Hex Bulkhead	
23	340167	1	Fitting, -6 ORFS Bulkhead	
	339909	1	• O-Ring -6 ORFS	
24	4283492	1	Tube, Left Wing Deck Motor Drain	
25	340215	1	Tee, -6 ORFS Bulkhead Run	
	339909	1	• O-Ring -6 ORFS	
26	4278712	1	Hose, Wing Deck Motor Drain	
27	340375	1	Fitting, -6 ORFS 90° Swivel	
	339909	1	• O-Ring -6 ORFS	
Parts List continued on next page.				

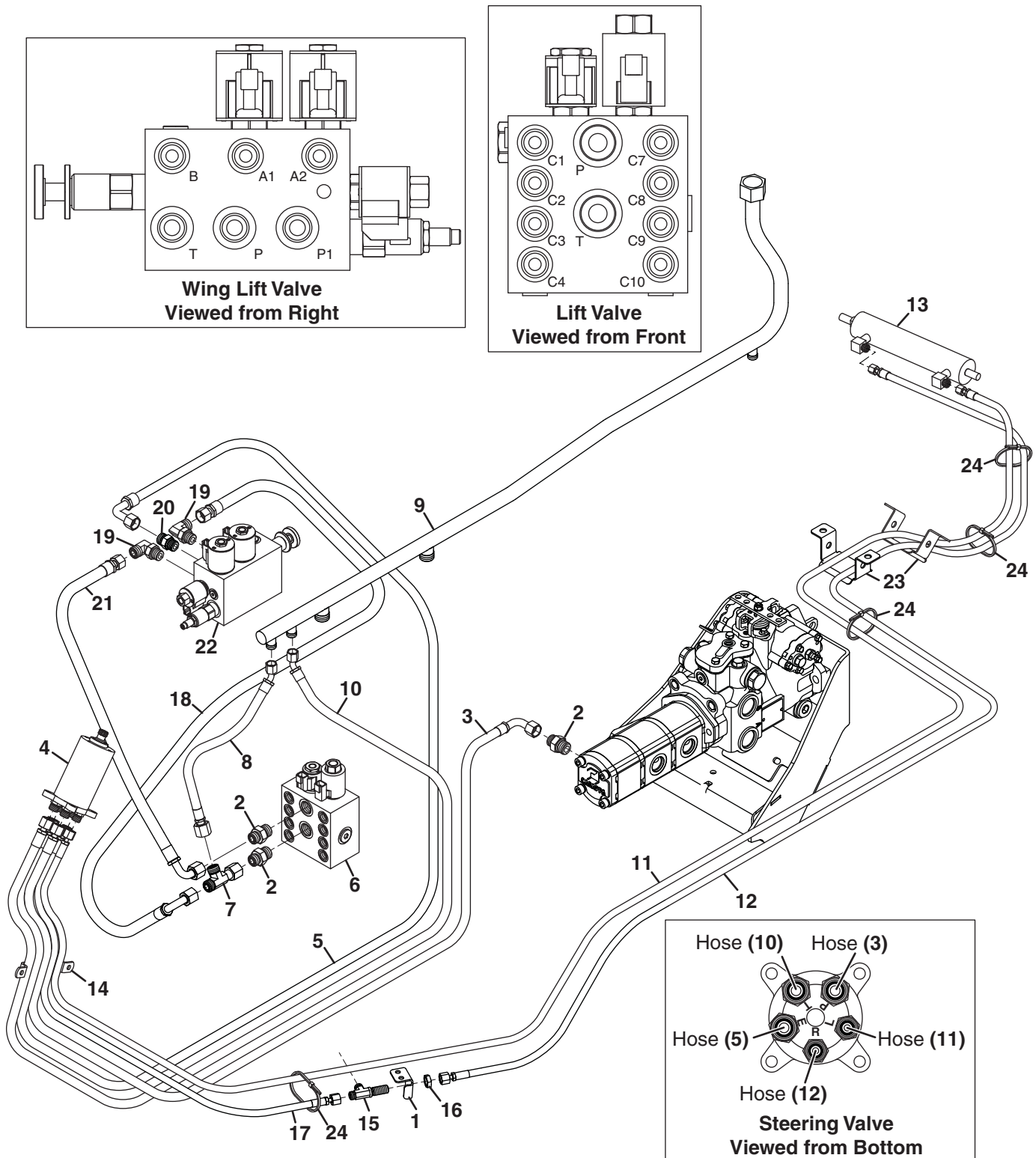
> Change from previous revision

23.1 Wing Deck Hydraulics (Continued)



Item	Part No.	Qty.	Description	Serial Numbers/Notes
28	4269871	1	Tube, Drain	See 17.1
29	473142	AR	Cable Tie, 3/16 x 1/4"	
30	340377	1	Fitting, -10 ORFS 90° Swivel	
	339911	1	• O-Ring, -10 ORFS	
31	4202120	2	Check Valve	
	4201921	1	• Body, Check Valve	
	4201920	1	• Cartridge, Check Valve	
	5003579	1	• • Seal Kit	
32	339988	2	Fitting, -10 ORFS x -8 ORB Straight	
	339911	1	• O-Ring, -10 ORFS	
	339898	1	• O-Ring, -8 ORB	
33	4202340	2	Union, -10 ORB x -8 ORB	
	339899	1	• O-Ring, -10 ORB	
	339898	1	• O-Ring, -8 ORB	
34	4283502	1	Plate, Bulkhead	See 8.1

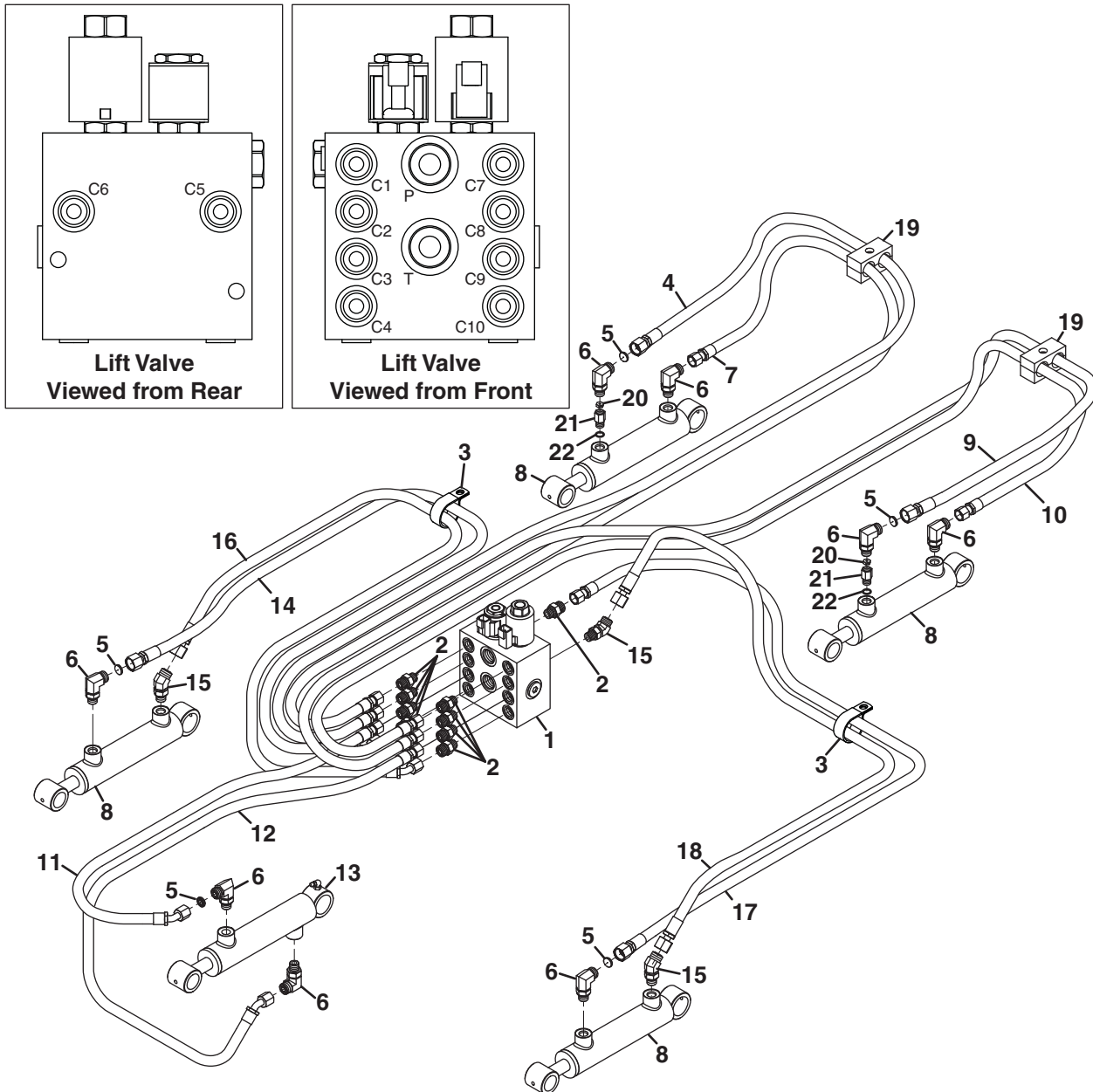
> Change from previous revision



Item	Part No.	Qty.	Description	Serial Numbers/Notes
1	4276057	1	Bracket, Tee Mount	
2	339985	3	Fitting, -8 ORFS x -10 ORB Straight	
	339910	1	• O-Ring, -8 ORFS	
	339899	1	• O-Ring, -10 ORB	
3	4129028	1	Hose, Gear Pump to Steering Valve	Steering Valve Port P
4	4291971	1	Valve, Steering	
	339908	2	• O-Ring, -4 ORFS	
	339909	3	• O-Ring, -6 ORFS	
5	4279273	1	Hose, Steering Valve to Wing Valve	Steering Valve Port E, Wing Valve Port P
6	4129069	1	Lift Valve	
7	340120	1	Tee, -8 ORFS Swivel Run	
	339910	1	• O-Ring, -8 ORFS	
8	4129027	1	Hose, Lift Valve to Return Tube	Lift Valve Port T
9	4275810	1	Tube, Return Hoses to Oil Filter	
	339909	3	• O-Ring -6 ORFS	
	339911	1	• O-Ring -10 ORFS	
10	4129030	1	Hose, Steering Valve to Return Tube	Steering Valve Port T
11	4302278	1	Hose, Steering Valve to Cylinder	Steering Valve Port L, Cylinder Base Port
12	4275370	1	Hose, Cylinder to Bulkhead Tee	Cylinder Rod Port
13	4271774	1	Cylinder, Steering	See 40.1
	4276851	1	• Seal Kit	
14	1004541	1	Bracket, Steering Hoses	
15	340214	1	Tee, -4 ORFS Bulkhead Run	
	339908	3	• O-Ring, -4 ORFS	
16	339960	1	Nut, 9/16-18 -4 ORFS Nut	
17	4275371	1	Hose, Tee to Steering Valve	Steering Valve Port R
18	4130388	1	Hose, Wing Valve to Lift Valve	Wing Valve Port P1 to Lift Valve Port P
19	340066	2	Fitting, -8 ORFS x -8 ORB 90°	
	339910	1	• O-Ring, -8 ORFS	
	339898	1	• O-Ring, -8 ORB	
20	339984	1	Fitting, -8 ORFS x -8 ORB Straight	
	339910	1	• O-Ring, -8 ORFS	
	339898	1	• O-Ring, -8 ORB	
21	4130303	1	Hose, Wing Valve to Lift Valve Tee	Wing Valve Port T to Lift Valve Port T
22	4270175	1	Valve, Wing Lift	See 38.1
23	4302131	2	Restraint, Hose	See 7.1 and See 13.1
24	473142	4	Cable Tie, 3/16 x 14"	

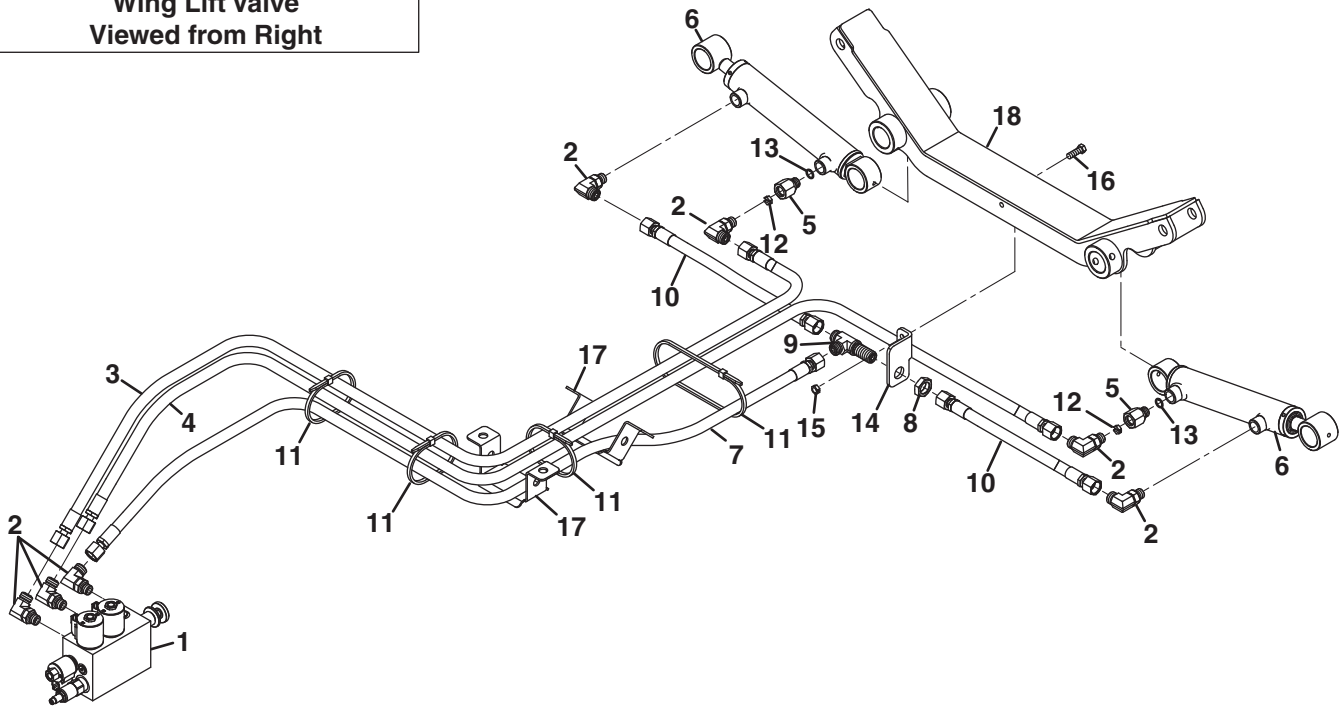
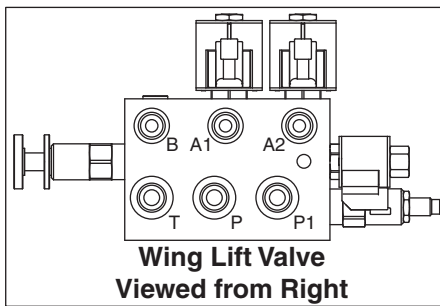
> Change from previous revision

25.1 Lift Hydraulics



Item	Part No.	Qty.	Description	Serial Numbers/Notes
1	4129069	1	Lift Valve	See 16.1 for valve mounting
2	339979	9	Fitting, -6 ORFS x -6 ORB Straight	
	339909	1	• O-Ring -6 ORFS	
	339897	1	• O-Ring, -6 ORB	
3	364190	2	Clamp, 1-1/2" I.D.	
4	4279951	1	Hose, Lift Valve to Right Rear Cylinder	Lift Valve Port C2
5	4287311	5	Disk, 0.029" Orifice	
	339909	1	O-Ring -6 ORFS	
6	340061	8	Fitting, -6 ORFS x -6 ORB 90°	
	339909	1	• O-Ring -6 ORFS	
	339897	1	• O-Ring, -6 ORB	
7	4279951	1	Hose, Right Rear Cylinder to Lift Valve	Lift Valve Port C8
8	4271772	4	Cylinder, Lift	See 41.1
	4276833	1	• Seal Kit	
9	4129026	1	Hose, Lift Valve to Left Rear Cylinder	Lift Valve Port C1, Cylinder Rod Port
10	4129026	1	Hose, Left Rear Cylinder to Lift Valve	Lift Valve Port C7, Cylinder Base Port
11	4129020	1	Hose, Lift Valve to Center Cylinder	Lift Valve Port C3, Cylinder Rod Port
12	4129019	1	Hose, Center Cylinder to Lift Valve	Lift Valve Port C9, Cylinder Base Port
13	4271773	1	Cylinder, Center Lift	See 41.1
	4276833	1	• Seal Kit	
14	4129018	1	Hose, Lift Valve to Right Front Cylinder	Lift Valve Port C4, Cylinder Rod Port
15	340026	3	Fitting, -6 ORFS x -6 ORB 45°	
	339909	1	• O-Ring -6 ORFS	
	339897	1	• O-Ring, -6 ORB	
16	4137562	1	Hose, Right Front Cylinder to Lift Valve	Lift Valve Port C10, Cylinder Base Port
17	4129022	1	Hose, Lift Valve to Left Front Cylinder	Lift Valve Port C5, Cylinder Rod Port
18	4129021	1	Hose, Left Front Cylinder to Lift Valve	Lift Valve Port C6, Cylinder Base Port
19	4131862	2	Clamp, Double Hose	
20	353190	2	Plate, 0.026 One Way Orifice	
21	337317	2	Adapter, -6 ORB One Way Orifice	
22	339897	2	O-Ring, -6 ORB	

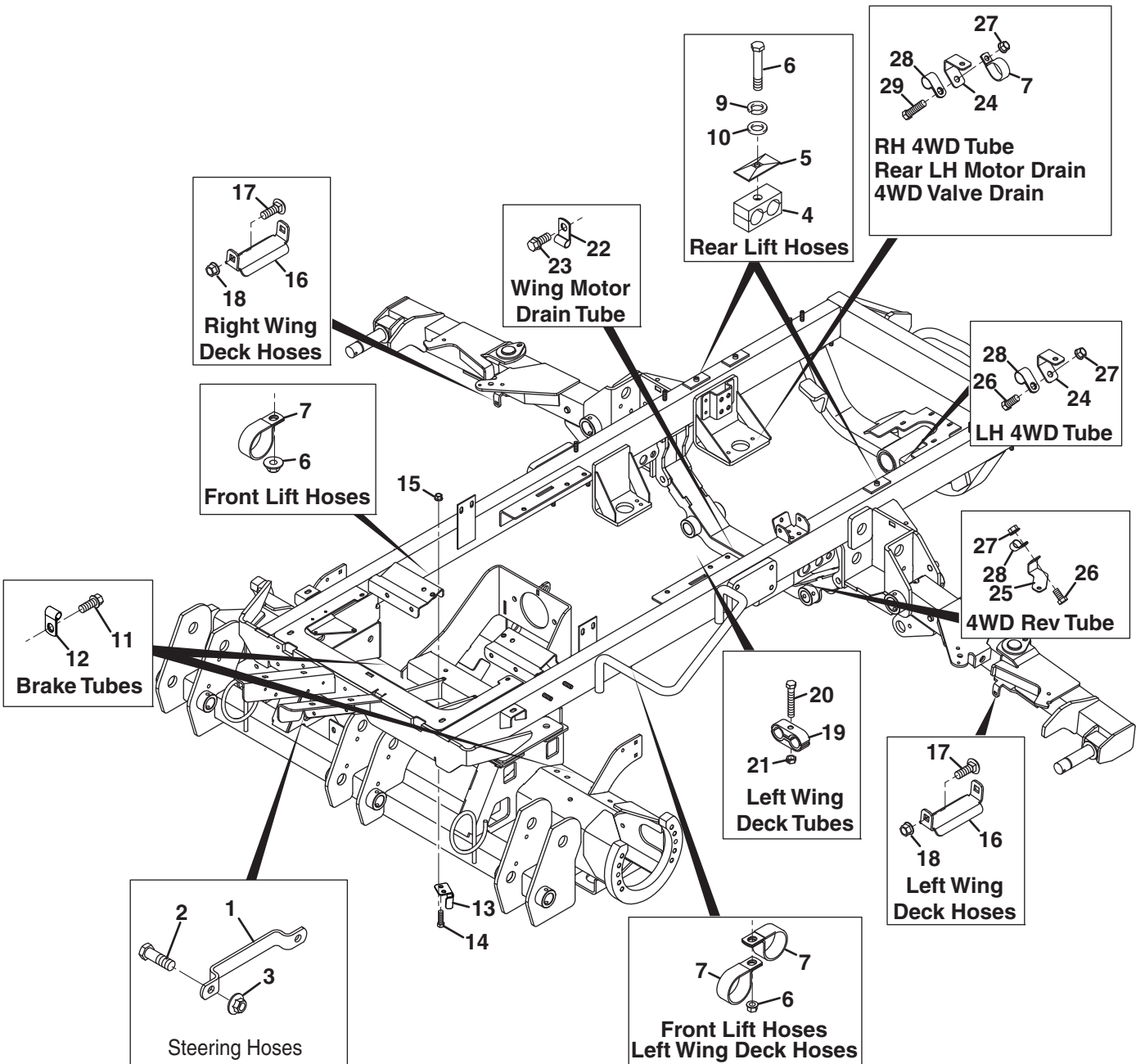
> Change from previous revision



Item	Part No.	Qty.	Description	Serial Numbers/Notes
1	4270175	1	Wing Lift Valve	See 38.1
2	340061	7	Fitting, -6 ORFS x -6 ORB 90°	
	339909	1	• O-Ring -6 ORFS	
	339897	1	• O-Ring, -6 ORB	
3	4278715	1	Hose, Lift Valve to Right Wing Cylinder	Wing Valve Port A2
4	4278717	1	Hose, Lift Valve to Left Wing Cylinder	Wing Valve Port A1
5	337317	2	Fitting, One Way Orifice	
6	4279131	2	Cylinder, Wing Lift	See 31.1
	4276833	1	• Seal Kit	
7	4278716	1	Hose, Tee to Wing Lift Valve	Wing Lift Valve Port B
8	339961	1	Nut, 11/16-16 Hex Bulkhead	
9	340215	1	Tee, -6 ORFS Bulkhead Run	
	339909	3	• O-Ring, -6 ORFS	
10	4140809	2	Hose, Cylinder Rod Port to Tee	
11	473142	4	Cable Tie, 3/16 x 14"	
12	4110940	2	Plate, 0.040" Orifice	
13	339897	2	O-Ring, -6 ORB	
14	4301491	1	Bracket, Tee Fitting	
15	444708	1	Locknut, 1/4-20 Hex Center	
16	400108	1	Screw, 1/4-20 x 3/4" Hex Head	
17	4302131	2	Restraint, Hose	See 7.1 and See 13.1
18	4278692	1	Mount, Wing Lift Cylinder	See 31.1

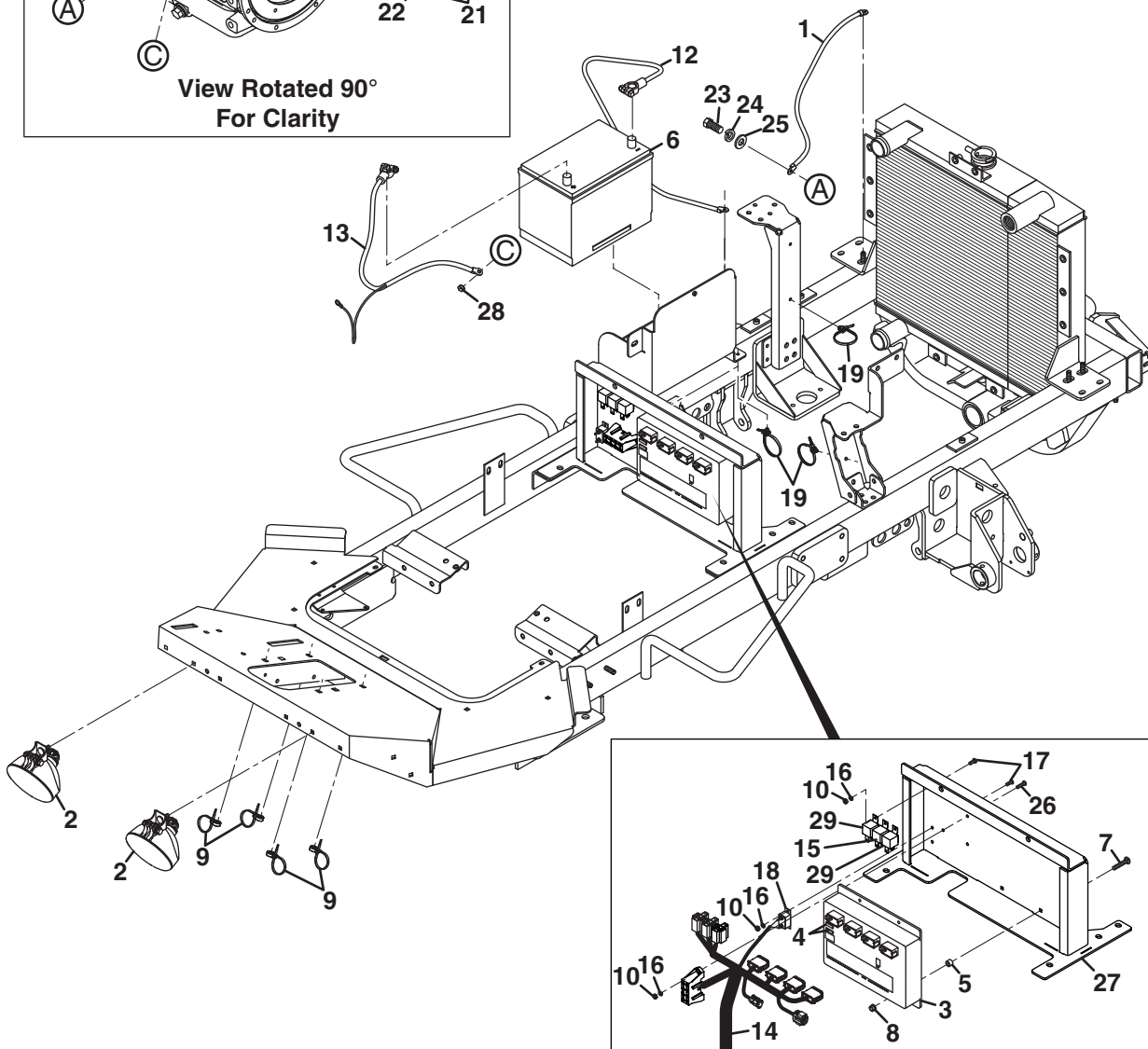
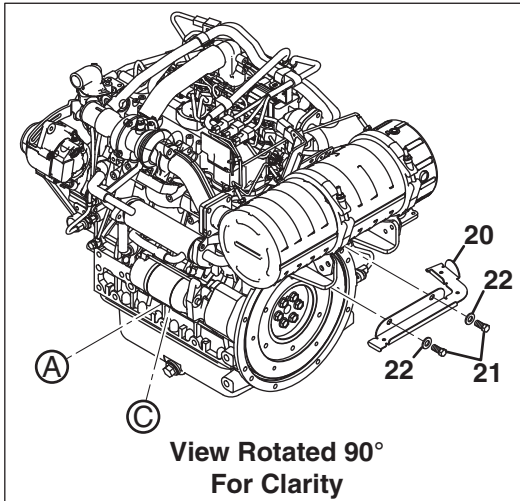
> Change from previous revision

27.1 Hydraulic Clamps



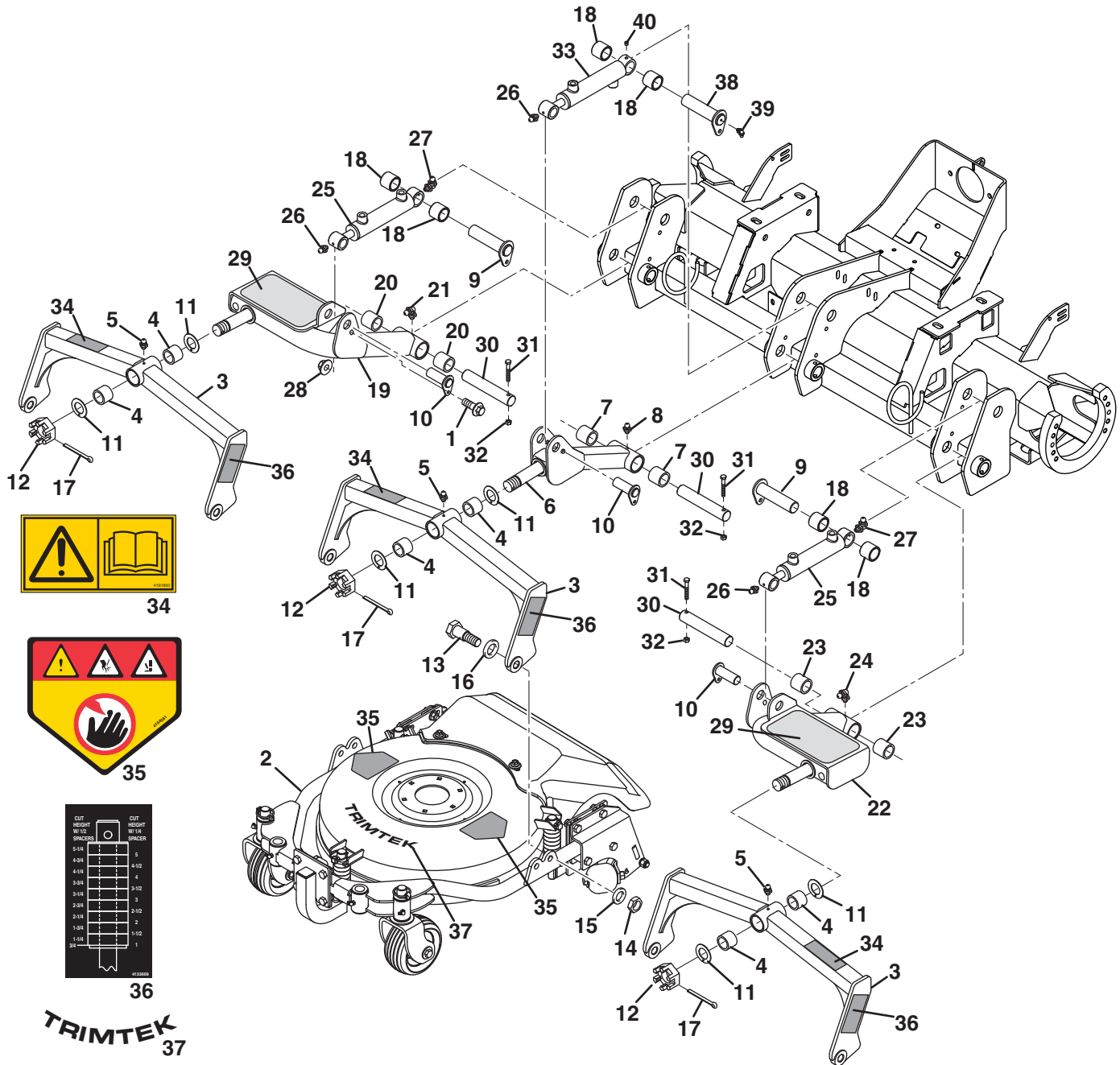
Item	Part No.	Qty.	Description	Serial Numbers/Notes
1	1004541	1	Bracket, Steering Hose Retaining	
2	403770	2	Screw, 5/16-18 x 3/4" Hex Flange	
3	445795	2	Nut, 5/16-18 Spirallock Flange	
4	4131862	2	Clamp, Double Hose	
5	4131864	2	Plate, Clamp	
6	400196	2	Screw, 5/16-18 x 2" Hex Head	
7	364190	3	Clamp, 1-1/2" I.D. Hose	
8	445796	2	Nut, 1/4-20 Spirallock Flange	
9	446136	2	Lockwasher, 5/16" Heavy	
10	452006	2	Flat Washer, 5/16"	
11	409811	2	Screw, 5/16-18 x 3/4" Thread Cutting	
12	367028	2	Clamp, 3/8" I.D.	
13	4276057	1	Bracket, Tee Mount	
14	400188	2	Screw, 5/16-18 x 1" Hex Head	
15	548911	2	Nut, 5/16-18 Hex Flange	
16	4284513	2	Restraint, Hose	
17	441602	4	Carriage Bolt, 5/16-18 x 3/4"	
18	445781	4	Nut, 5/16-18 Whizlock Flange	
19	3003110	1	Clamp, 5/8" Double Tube	
20	400116	1	Screw, 1/4-20 x 1-1/2" Hex Head	
21	444708	1	Nut, 1/4-20 Hex	
22	367028	1	Clamp, 3/8" Tube	
23	409811	1	Screw, 5/16-18 x 5/8" Thread Cutting	
24	4294171	2	Bracket, Clip	See 13.1 for Mounting
25	4294295	1	Bracket, Clip	See 13.1 for Mounting
26	400258	2	Screw, 3/8-16 x 3/4" Hex Head	
27	548804	3	Nut, 3/8-16 Hex Flange	
28	345671	3	Clamp, 3/4" Tube	
29	400264	1	Screw, 3/8-16 x 1-1/4" Hex Head	

> Change from previous revision



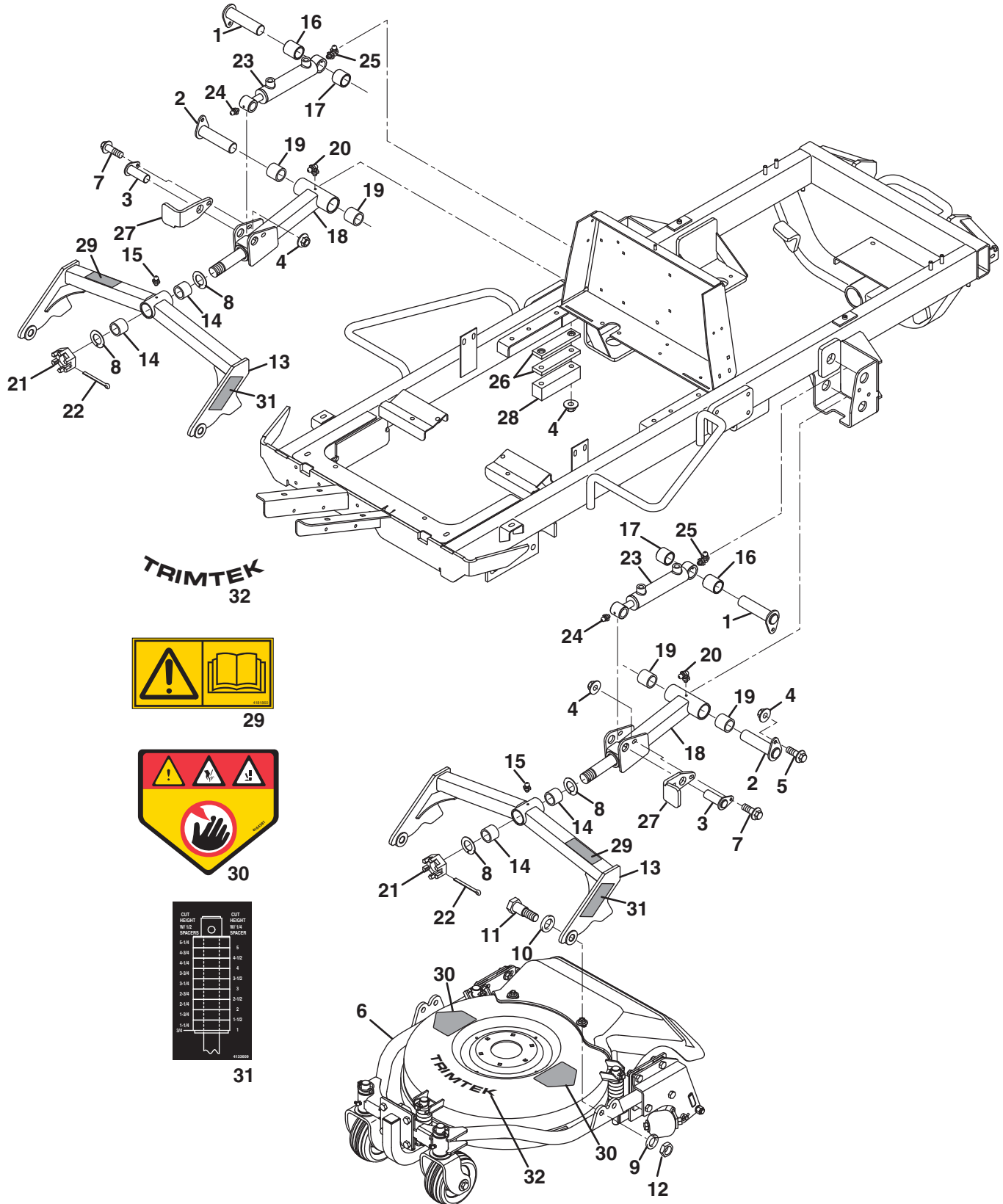
Item	Part No.	Qty.	Description	Serial Numbers/Notes
1	4271132	1	Cable, Engine Ground	Engine Block to Frame
2	4122840	2	Headlight	REFERENCE L1 & L2, See 49.1
	4123183	1	• Bulb	
3	4270813	1	Mower Controller (MCU)	REFERENCE U18, See 49.1
4	5003282	2	• Fuse, 20 Amp	REFERENCE F6 & F7, See 49.1
5	367631	4	Spacer	
6	N/S	1	Battery	REFERENCE B1, See 49.1
7	441668	4	Carriage Bolt, 1/4-20 x 1-1/4"	
8	445794	4	Nut, 1/4-20 Spirallock Flange	
9	4234620	4	Tie Strap, Push Nut Mount	
10	444310	4	Nut, #10-24 Hex	
11	473142	AR	Cable Tie	Not Shown
12	4271131	1	Cable, Negative Battery	Battery to Engine Block
13	4271130	1	Cable, Positive Battery	Battery to Starter
14	4270817	1	Body Wire Harness	
	5003280	1	• 10 Amp Fuse	REFERENCE F1, See 49.1
	5003283	1	• 25 Amp Fuse	REFERENCE F2, See 49.1
	5003278	1	• 5 Amp Fuse	REFERENCE F3, See 49.1
	5003278	1	• 5 Amp Fuse	REFERENCE F4, See 49.1
15	4221100	1	• Relay, 50 Amp	REFERENCE CR2 See 49.1
16	446118	7	Lockwasher, #10	
17	403910	5	Screw, #10-24 x 1/2" Truss Head	
18	361439	1	Circuit Breaker, 12V 50A	REFERENCE CB1, See 49.1
19	4167640	4	Cable Tie, Fir Tree	
20	4296055	1	Bracket, Harness Support	
21	450213	2	Screw, M10-1.25 x 20 mm Hex Head	
22	453011	2	Flat Washer, 3/8	
23	365980	1	Screw, M12-1.75 x 20 mm Hex Head	
24	446154	1	Lockwasher, 1/2 Heavy	
25	453017	1	Flat Washer, 1/2"	
26	403914	3	Screw, #10-24 x 3/4" Truss Head	
27	4272393	1	Mount, Controller	See 7.1
28	5001183	1	Nut, Hexagon	Included with Starter
29	4271134	2	Relay	REFERENCE CR1 and CR3 See 49.1

> Change from previous revision



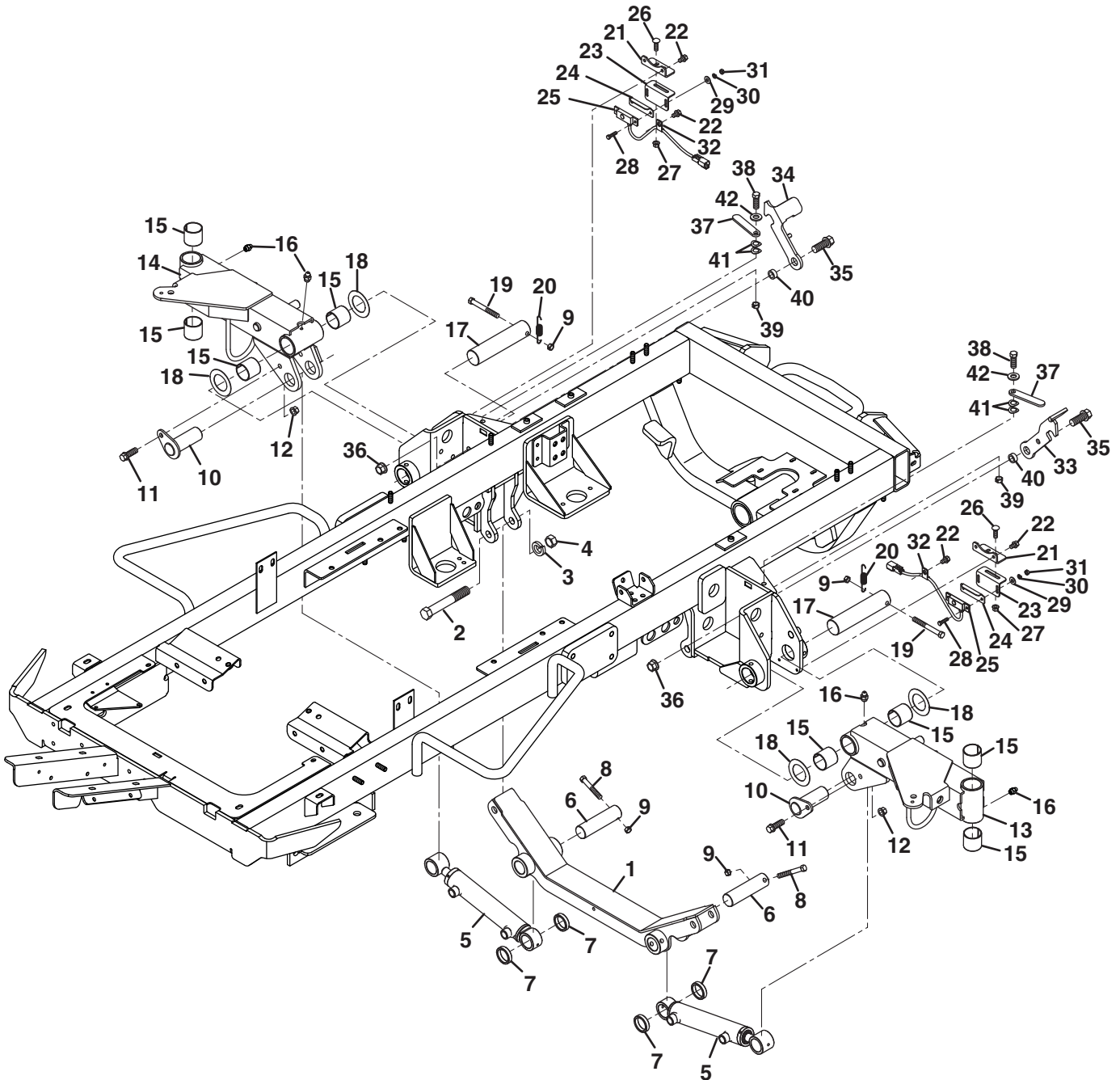
Item	Part No.	Qty.	Description	Serial Numbers/Notes
1	548905	6	Screw, 3/8-16 x 1" Serrated Flange	See 34.1
2	REF	3	Deck Assembly	
3	4125547	3	Front Deck Pivot	
4	4127480	2	• Bushing	
5	471214	1	• Straight Grease Fitting	
6	4125919	1	Center Lift Arm	
7	3010489	2	• Bushing	
8	471214	1	• Straight Grease Fitting	
9	4126447	2	Pin, Arm	
10	4279250	3	Pin, Cylinder	
11	4127192	6	Plastic Washer	
12	4127556	3	Nut, 1-1/4-7 Slotted Hex	
13	4131849	6	Shoulder Bolt, 3/4 x 5/8-11 x 2-1/8"	
14	444752	6	Locknut, 5/8-11 Center	
15	452016	6	Flat Washer, 5/8	
16	310452	6	Flat Washer	
17	460068	3	Cotter Pin, 1/4 x 2"	
18	4131963	6	Spacer, Cylinder	
19	4171884	1	Right Front Lift Arm	
20	3010489	2	• Bushing	
21	471221	1	• 90° Grease Fitting	
22	4171883	1	Left Front Lift Arm	
23	3010489	2	• Bushing	
24	471221	1	• 90° Grease Fitting	
25	4271772	2	Cylinder, Lift	
	4276833	1	• Seal Kit	
26	471214	3	Straight Grease Fitting	See 41.1
27	471221	3	90° Grease Fitting	
28	445783	6	Nut, 3/8-16 Whizlock Flange	
29	4134575	2	Pad, Step	
30	4181006	3	Pin, Arm	
31	400198	3	Screw, 5/16-18 x 2-1/4"	
32	444718	3	Locknut, 5/16-18 Center	
33	4271773	1	Cylinder, Center Lift	
	4276833	1	• Seal Kit	
34	4181860	3	Decal, Read Manual	
35	4164381	3	Decal, Danger	
36	4133609	6	Decal, Height of Cut	
37	4179022	3	Decal, Trimtek™	
38	4279256	1	Pin, Arm	
39	471221	1	Grease Fitting, 90°	
40	422530	1	Set Screw, 1/4-20 x 1/4"	

> Change from previous revision



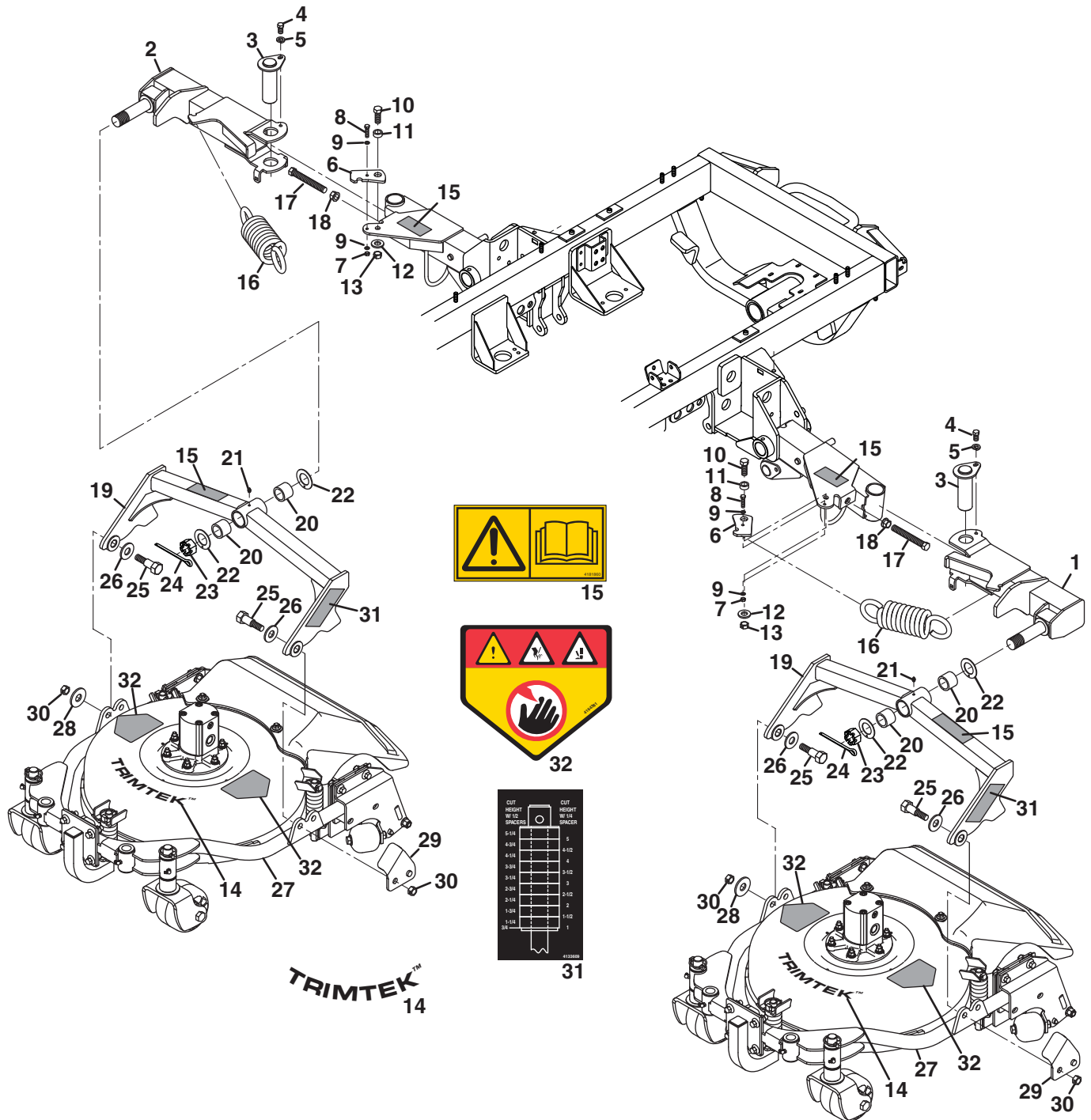
Item	Part No.	Qty.	Description	Serial Numbers/Notes	
1	4278831	2	Pin, Rear Cylinder	See 34.1	
2	4278832	2	Pin, Rear Lift Arm		
3	4279250	2	Pin, Cylinder		
4	445783	10	Nut, 3/8-16 Whizlock Flange		
5	548905	4	Screw, 3/8-16 x 1" Serrated Flange		
6	REF	2	Deck Assembly		
7	548907	2	Screw, 3/8-16 x 1/1/4" Ser Flange		
8	4127192	4	Washer, Plastic		
9	452016	4	Flat Washer, 5/8"		
10	310452	4	Flat Washer, 3/4"		
11	4131849	4	Shoulder Bolt, 3/4 x 5/8-11 x 2-1/8		
12	444752	4	Locknut, 5/8-11 Center		
13	4125180	2	Rear Deck Pivot		
14	4127480	2	• Bushing		
15	471214	1	• Straight Grease Fitting		
16	4131965	2	Spacer, Cylinder		
17	4131964	2	Spacer, Cylinder		
18	4132846	2	Rear Lift Arm		
19	3010489	2	• Bushing		
20	471221	1	• 90° Grease Fitting		
21	4127556	2	Nut, 1-1/4-7 Slotted Hex		
22	460076	2	Cotter Pin, 1/4 x 3"		
23	4271772	2	Cylinder, Lift		See 41.1
	4276833	1	• Seal Kit		
24	471214	2	Straight Grease Fitting		
25	471221	2	90° Grease Fitting		
26	4134626	AR	Pad, Deck Stop		Add pads as required to prevent deck contacting engine oil pan.
27	4136022	2	Deck Stop		
28	4137716	AR	Deck Stop		Add as required to prevent deck contacting engine oil pan.
29	4181860	2	Decal, Read Manual		
30	4164381	2	Decal, Danger		
31	4133609	4	Decal, Height of Cut		
32	4179022	2	Decal, Trimtek™		

> Change from previous revision



Item	Part No.	Qty.	Description	Serial Numbers/Notes	
1	4278692	1	Mount, Wing Lift Cylinder	See 41.1	
2	400656	2	Screw, 5/8-18 x 4" Hex Head		
3	446164	2	Lockwasher, 5/8"		
4	443128	2	Nut, 5/8-18 Hex		
5	4279131	2	Cylinder, Wing Lift		
	4276833	1	• Seal Kit		
6	4278836	2	Pin, Arm		
7	4279411	4	Spacer, Cylinder		
8	400198	2	Screw, 5/16-18 x 2-1/4" Hex Head		
9	444718	4	Locknut, 5/16-18 Hex Center		
10	4278811	2	Arm, Cylinder		
11	548905	2	Screw, 3/8-16 x 1" Hex Flange		
12	445783	2	Nut, 3/8-16 Whizlock Flange		
13	4278877	1	Arm, Left Wing Pivot		
14	4278878	1	Arm, Right Wing Pivot		
15	350800	4	• Bushing		
16	471216	2	• Grease Fitting		
17	4278833	2	Pin, Arm		
18	4280531	4	Washer, Plastic		
19	400216	2	Screw, 5/16-18 x 2-3/4" Hex Head		
20	352204	2	Spring		
21	4283511	2	Angle, Switch		
22	800869	6	Screw, 14/-20 x 3/8" Thread Cutting		
23	4302932	2	Angle, Switch		
24	4182420	2	Bracket, Switch Guard		
25	4140149	2	Switch, Proximity		REFERENCE SW2, SW3, See 49.1
26	441606	4	Carriage Bolt, 1/4-20 x 3/4"		
27	548910	4	Nut, 1/4-20 Hex Flange		
28	403745	4	Screw, #10-24 x 5/8" Hex Head		
29	452002	4	Flat Washer, #10		
30	446118	4	Lockwasher, #10 Heavy		
31	444310	4	Nut, #10-24 Hex		
32	48228-07	2	Clip, Cable		
33	4287932	1	Arm, Left Wing Handle		
34	4286793	1	Arm, Right Wing Handle		
35	800380	2	Screw, 1/2-13 x 1-1/4" Hex Flange		
36	800379	2	Nut, 1/2-13 Hex Flange		
37	4286791	2	Plate, Latch Stop		
38	400262	2	Screw, 3/8-16 x 1" Hex Head		
39	445799	2	Locknut, 3/8-16 Hex Center		
40	4300368	2	Bushing		
41	454025	4	Spring Washer		
42	453010	2	Flat Washer, 3/8		

> Change from previous revision

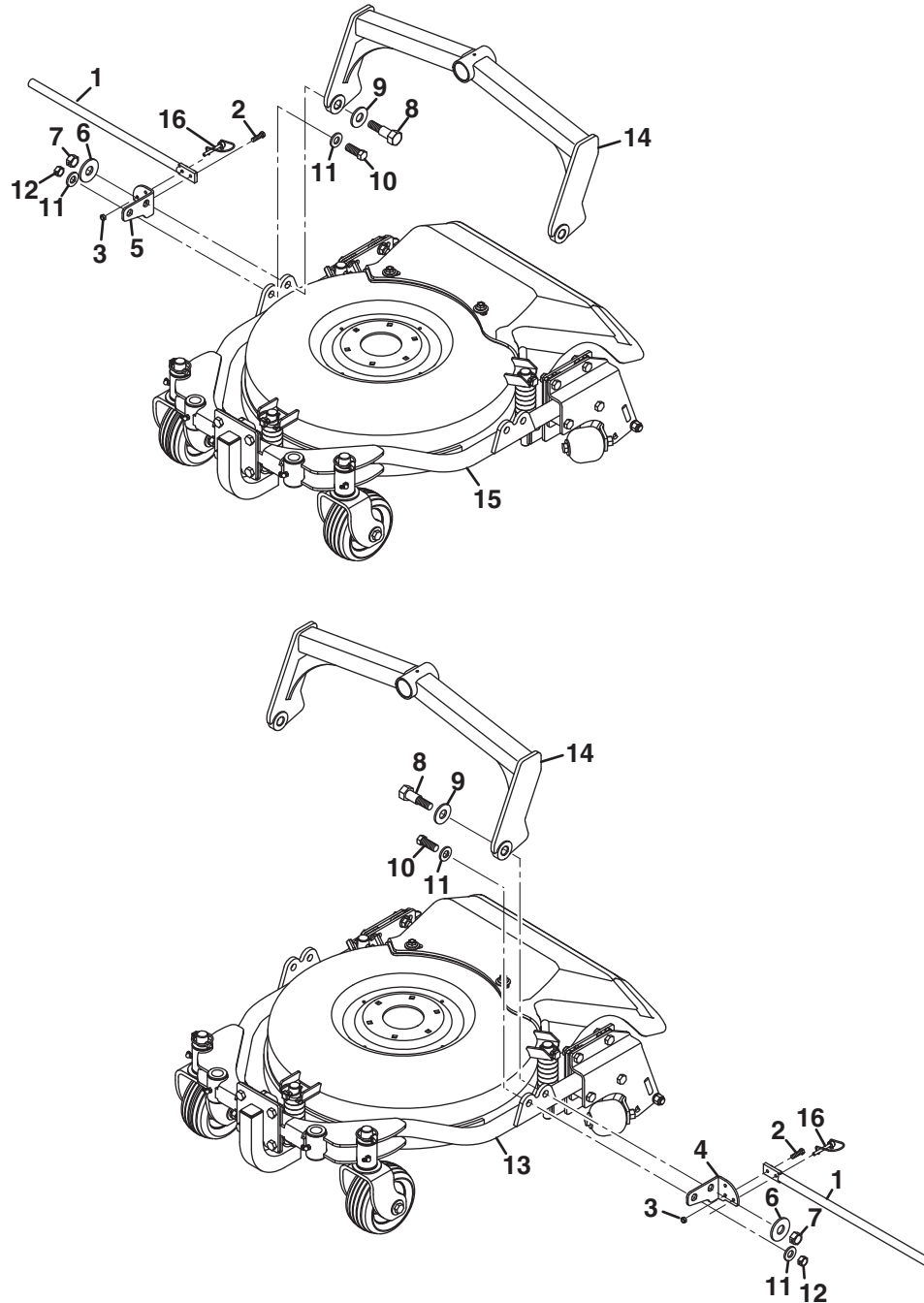


Item	Part No.	Qty.	Description	Serial Numbers/Notes
1	4278875	1	Arm, Left Wing Lift	
2	4278876	1	Arm, Right Wing Lift	
3	4278498	2	Pin, Lift Arm	
4	400256	2	Screw, 3/8-16 x 5/8" Hex Head	
5	446140	2	Lockwasher, 3/8	
6	4284491	2	Hook, Spring	
7	444708	2	Locknut, 1/4-20 Hex Center	
★ 8	400112	7	Screw, 1/4-20 x 1" Hex Head	Grade 5 Screw must be used.
9	64251-001	4	Flat Washer	
10	400406	2	Screw, 1/2-13 x 1-1/4" Hex Head	
11	362817	4	Bushing	
12	453017	2	Flat Washer, 1/2	
13	444758	2	Locknut, 1/2-13 Hex Center	
14	4179022	2	Decal, Trimtek™	
15	4181860	4	Decal, Read Manual	
16	4161840	2	Spring, Wing Deck	
17	451030730	2	Screw, 1/2-20 x 3-1/2" Hex Head	
18	445789	2	Nut, 1/2-20 Spiralock Flange	
19	4125180	2	Pivot, Wing Deck	
20	4127480	2	• Bushing	
21	471214	1	• Straight Grease Fitting	
22	4127192	4	Washer, Plastic	
23	4127556	2	Nut, 1-1/4"-7 Slotted Hex	
24	460068	2	Cotter Pin, 1/4 x 2"	
25	4131849	4	Shoulder Bolt, 3/4 x 5/8-11 x 2-1/8"	
26	310452	4	Flat Washer, 3/4"	
27	REF	2	Deck Assembly	See 34.1
28	452016	2	Flat Washer, 5/8	
29	4299356	2	Stop, Wing Deck	
30	444752	2	Locknut, 5/8-11 Hex Center	
31	4133609	4	Decal, Height of Cut	
32	4164381	2	Decal, Danger	
★	Two 400112 1/4-20 x 1" screws are installed in the wing pivot arms. Five extra screws are stored in the pouch on the back of the seat.			

> Change from previous revision

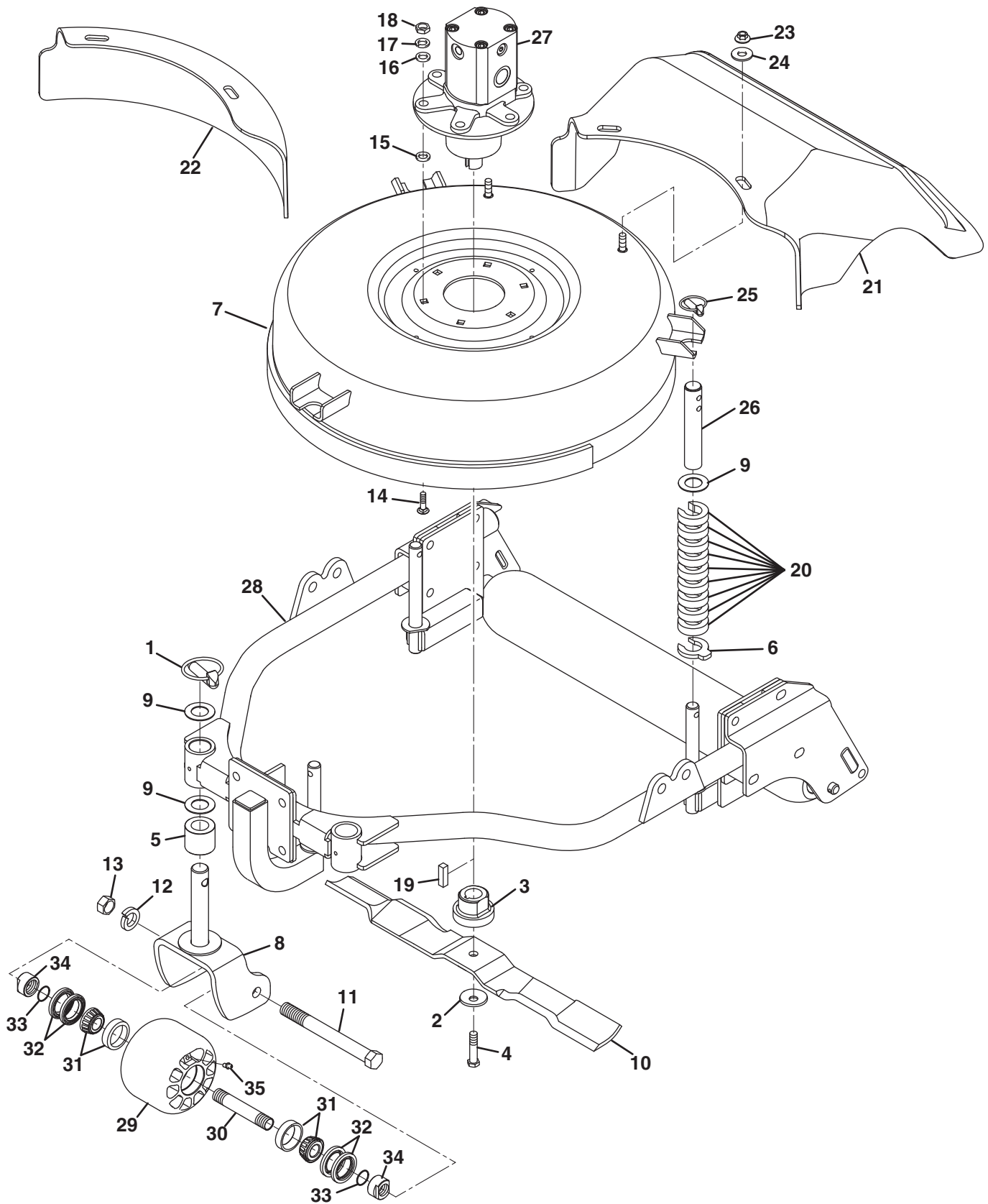
33.1 Curb Feeler

Installed on Front Left and Front Right Decks



Item	Part No.	Qty.	Description	Serial Numbers/Notes
1	4292871	2	Curb, Feeler	
2	N/S	1	• Screw, 1/4 x 7/8"	
3	N/S	1	• Nut, 1/4 Hex	
4	4292811	1	Bracket, Left Side Curb Feeler	
5	4294851	1	Bracket, Right Side Curb Feeler	
6	452016	2	Flat Washer, 5/8	
7	444752	2	Locknut, 5/8-11 Center	
8	4131849	6	Shoulder Bolt, 3/4 x 5/8-11 x 2-1/8"	
9	310452	6	Flat Washer	
10	400406	2	Screw, 1/2-13 x 1-1/4" Hex Head	
11	453017	2	Flat Washer, 1/2	
12	444758	4	Locknut, 1/2-13 Hex Center	
13	REF	1	Left Front Deck Assembly	See 34.1
14	4125547	2	Front Deck Pivot	See 29.1
15	REF	2	Right Front Deck Assembly	See 34.1
16	4297045	2	Lock Pin, 1/4"	

> Change from previous revision



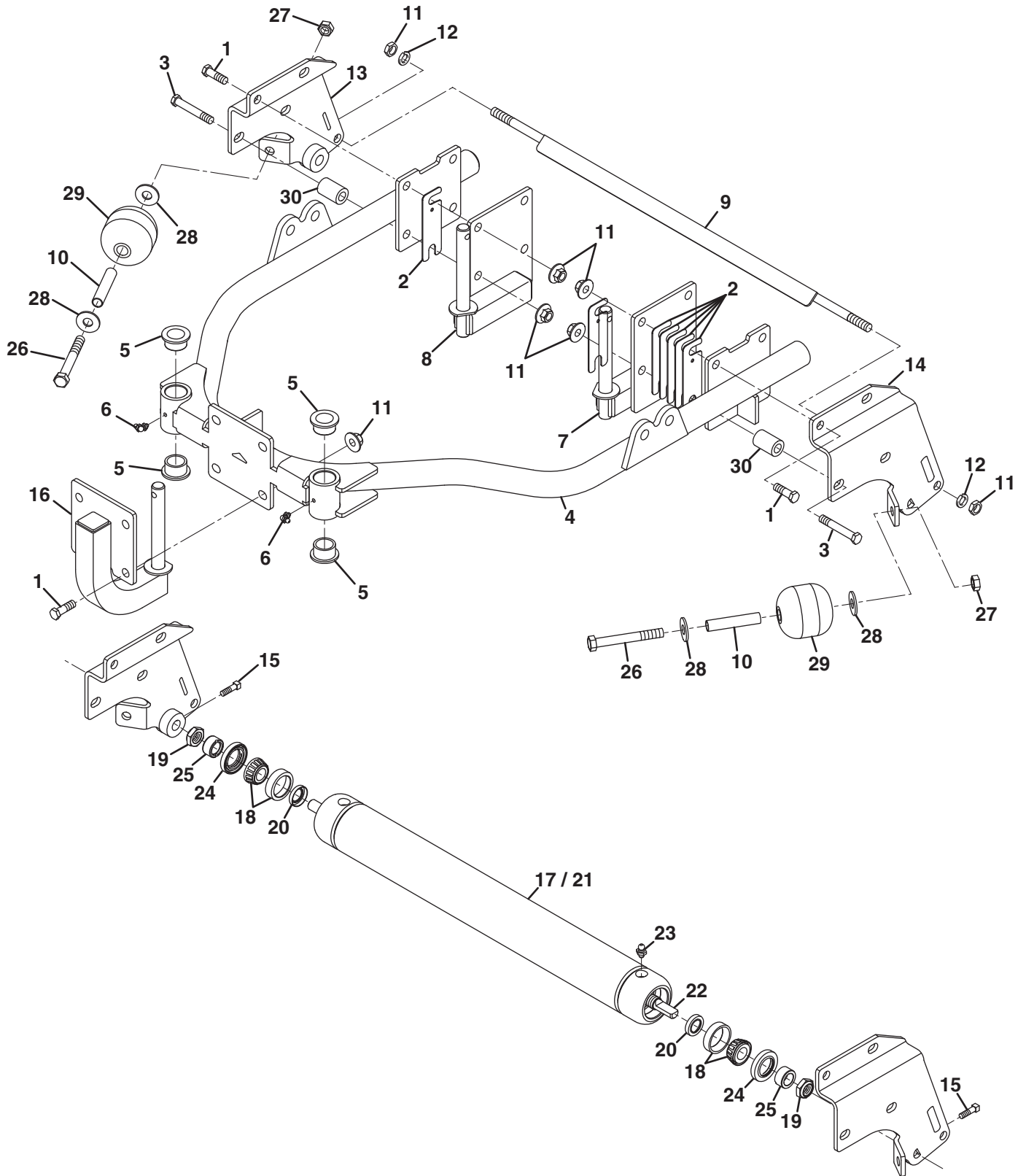
Item	Part No.	Qty.	Description	Serial Numbers/Notes
1	3004894	2	Pin, 7/16 x 1-3/4" Snap Ring	
2	3007764	1	Washer, Blade	
3	3008388	1	Adapter, Blade	
4	400410	1	Screw, 1/2-13 x 1-3/4" Hex Head	
5	4251191	2	Spacer, Yoke	
6	4117807	3	Spacer	
7	4212661	1	Deck Housing	
8	4251174	2	Caster Wheel Yoke	
9	4124076	4	Flat Washer, 1"	
10	4163106	1	Blade, 22-3/8" Combination	Standard Blade
10	4137186	1	Blade, 22-3/8" High Lift	Optional High Lift Blade
10	4124087	1	Blade, 22-3/8" Low Lift	Optional Low Lift Blade
11	64123-118	2	Screw, 5/8-11 x 5-3/4" Hex Head	
12	446164	2	Lockwasher, 5/8	
13	443126	2	Nut, 5/8-11 Hex	
14	440124	6	Carriage Bolt, 3/8-16 x 1-3/4"	
15	4139787	6	Nut, Push On	
16	453011	6	Flat Washer, 3/8	
17	446142	6	Lockwasher, 3/8 Heavy	
18	443110	6	Nut, 3/8-16 Hex	
19	557523	1	Key, 1/4 Square x 1"	
20	PJH1054	27	Spacer, Cutting Height	
21	4163124	1	Chute, Rear Discharge	
22	4163125	1	Cover, Mulching	
23	445783	3	Nut, 3/8-16 Whizlock Flange	
24	452010	3	Washer, 7/16 x 1-1/4"	
25	365948	3	Pin, 1/4 x 1-3/4" Snap Ring	
26	4133007	3	Sleeve, Cutting Height	
27	4256392	1	Motor, Deck	
	4136829	1	• Seal Kit	
	4115706	1	• Check Valve	
28	REF	1	Deck Frame	See 35.1
29	4251124	2	Wheel, Caster	
30	4251126	1	• Spacer, Yoke	
31	500534	2	• Bearing, Cup and Cone	
32	4251127	4	• Seal, Grease	
33	4251129	2	• O-Ring	
34	4251128	2	• Spacer, Bearing	
35	4246353	1	• Grease Fitting, 1/4-28	

> Change from previous revision

AR722T

35.1 Deck Frame

Serial No. All

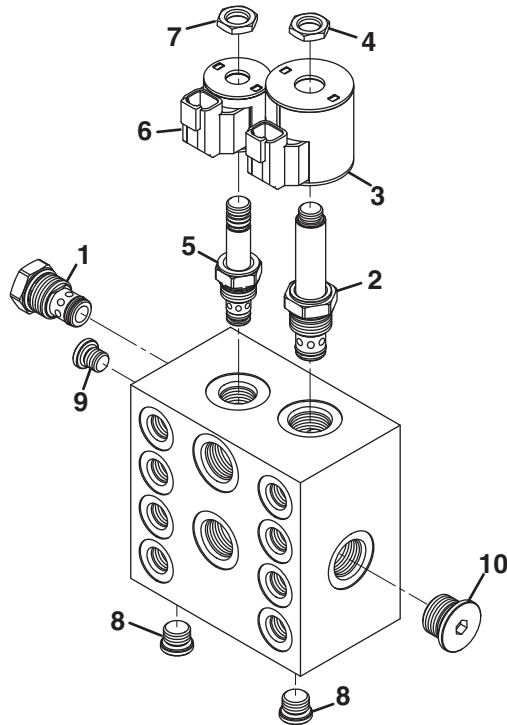


Item	Part No.	Qty.	Description	Serial Numbers/Notes
1	452411	8	Screw, M12-1.75 x 40 mm Hex Head	
2	4161960	12	Spacer, Deck HOC Bracket	
3	452415	4	Screw, M12-1.75 x 80 mm Hex Head	
4	4137665	1	Deck Frame	Front and Wing Decks
4	4137674	1	Deck Frame	Rear Decks
5	4251319	AR	• Bushing, Flange	
6	471221	AR	Grease Fitting, 90°	
7	4124423	1	LH Rear Cutting Height Bracket	
8	4124425	1	RH Rear Cutting Height Bracket	
9	4183948	1	Scraper, Roller	
10	4137534	2	Sleeve, Roller	
11	452438	14	Nut, M12-1.75 Hex Flange	
12	450413	2	Lockwasher, M12	
13	4163089	1	RH Roller Bracket	
14	4163087	1	LH Roller Bracket	
15	434004	2	Screw, 5/16-18 x 1" Hex Socket	
16	4124395	1	Front Cutting Height Bracket	
17	4284471	1	Roller	
18	500534	2	• Bearing Cup and Cone	
19	367029	1	• Locknut, 3/4-16 Hex Jam	
20	338647	2	• Seal, Oil	
21	4284473	1	• Tube, Roller	
22	4284472	1	• Shaft, Roller	
23	471214	2	• Grease Fitting, Straight	
24	3004882	2	• Seal, Excluder	
25	3005156	2	• Sleeve, Wear	
26	400422	2	Screw, 1/2-13 x 4" mm Hex Head	
27	444758	2	Locknut, 1/2-13 Hex Center	
28	452010	4	Flat Washer	
29	2198153	2	Roller, 3"	
30	4124129	4	Spacer	

> Change from previous revision

36.1 Lift Valve

Part Number 4129069

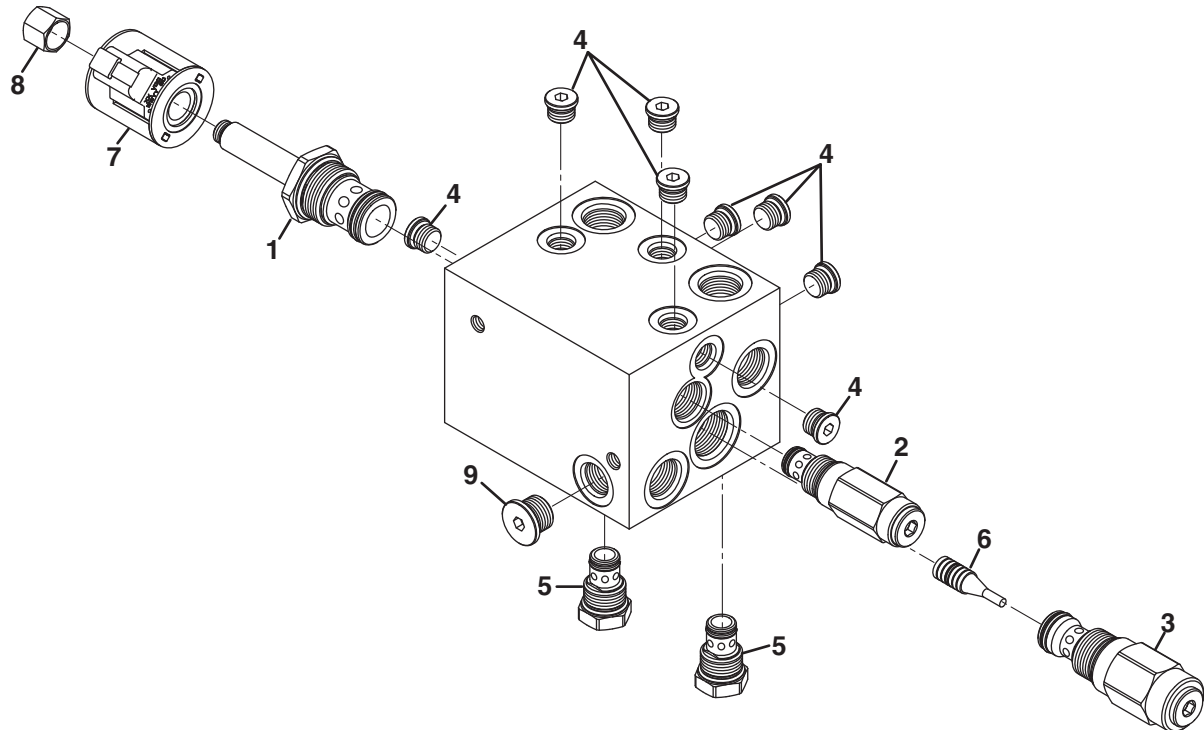


Item	Part No.	Qty.	Description	Serial Numbers/Notes
1	4134528	1	Check Valve	
	5003579	1	• Seal Kit	
2	4134529	1	Solenoid Valve, Lift	REFERENCE SOL6, See 49.1
	5003579	1	• Seal Kit	
3	4134530	1	• Coil, Solenoid	
4	N/S	1	• Nut, Coil	
5	4136067	1	Solenoid Valve, Lower	REFERENCE SOL5, See 49.1
	5003578	1	• Seal Kit	
6	4142009	1	• Coil, Solenoid	
7	N/S	1	• Nut, Coil	
8	3010199	1	Plug, -6 ORB	
	339897	1	• O-Ring, -6 ORB	
9	5002157	1	Plug, -4 ORB	
	339896	1	• O-Ring, -4 ORB	
10	N/S	1	Plug, -10 ORB	
	339899	1	• O-Ring, -10 ORB	

> Change from previous revision

37.1 Deck Valve

Part Number 4129071

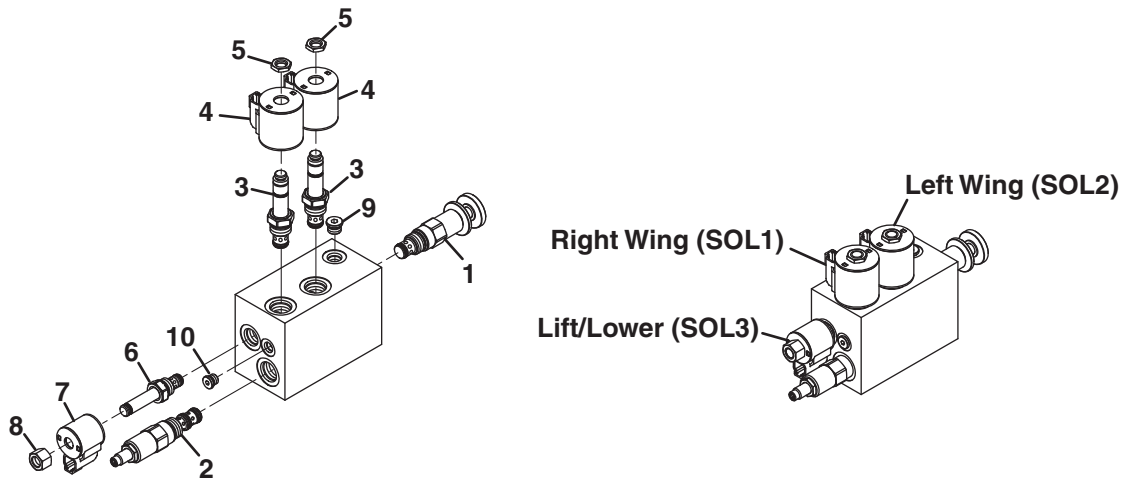


Item	Part No.	Qty.	Description	Serial Numbers/Notes
1	4223600	1	Solenoid Valve	Reference SOL4, See 49.1
	4223640	1	• Seal Kit	
2	4223620	1	Relief Valve, 2800 psi	
	5003579	1	• Seal Kit	
3	5002912	1	Relief Valve, 630 psi	
	5003554	1	• Seal Kit	
4	3010199	8	Plug, -6 ORB	
	339897	1	• O-Ring, -6 ORB	
5	5000049	2	Check Valve	
	5003579	1	• Seal Kit	
6	4223621	1	Piston, Pilot	
7	4134530	1	Coil, Solenoid Valve	
8	N/S	1	Nut, Coil	
9	N/S	1	Plug, -8 ORB	
	339898	1	• O-Ring, -8 ORB	

> Change from previous revision

38.1 Wing Lift Valve

Part Number 4270175

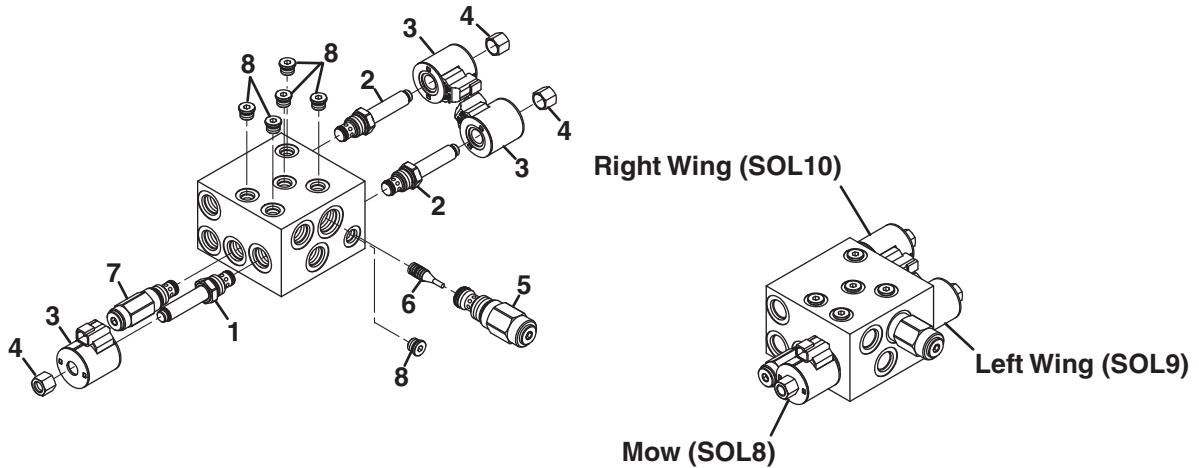


Item	Part No.	Qty.	Description	Serial Numbers/Notes
1	4293311	1	Relief Valve, 100~800 PSI	
	4285702	1	• Seal Kit	
2	4291171	1	Flow Regulator	
	4285704	1	• Seal Kit	
3	4285705	2	Solenoid Valve	
	4285707	1	• Seal Kit	
4	4134530	2	Coil, Solenoid Valve	REFERENCE SOL3, SOL 8, See 49.1
5	N/S	2	Nut, Coil	
6	4285708	1	Solenoid Valve	
	4285709	1	• Seal Kit	
7	4134532	1	Coil, Solenoid Valve	REFERENCE SOL2, See 49.1
8	N/S	1	Nut, Coil	
9	3010199	1	Plug, -6 ORB	
	339897	1	• O-Ring, -6 ORB	
10	5002157	1	Plug, -4 ORB	
	339896	1	• O-Ring, -4 ORB	

> Change from previous revision

39.1 Wing Deck Valve

Part Number 4270176



Item	Part No.	Qty.	Description	Serial Numbers/Notes
1	5002913	1	Solenoid Valve	REFERENCE SOL1, 9, 10, See 49.1
	5003579	1	• Seal Kit	
2	4282072	2	Solenoid Valve	
	4282073	1	• Seal Kit	
3	4134530	3	Coil, Solenoid Valve	
4	N/S	3	Nut, Coil	
5	5002912	1	Relief Valve, 630 PSI	
	5003554	1	• Seal Kit	
6	4223621	1	Piston, Pilot	
7	4282074	1	Relief Valve, 3000 PSI	
	5003579	1	• Seal Kit	
8	3010199	6	Plug, -6 ORB	
	339897	1	• O-Ring, -6 ORB	

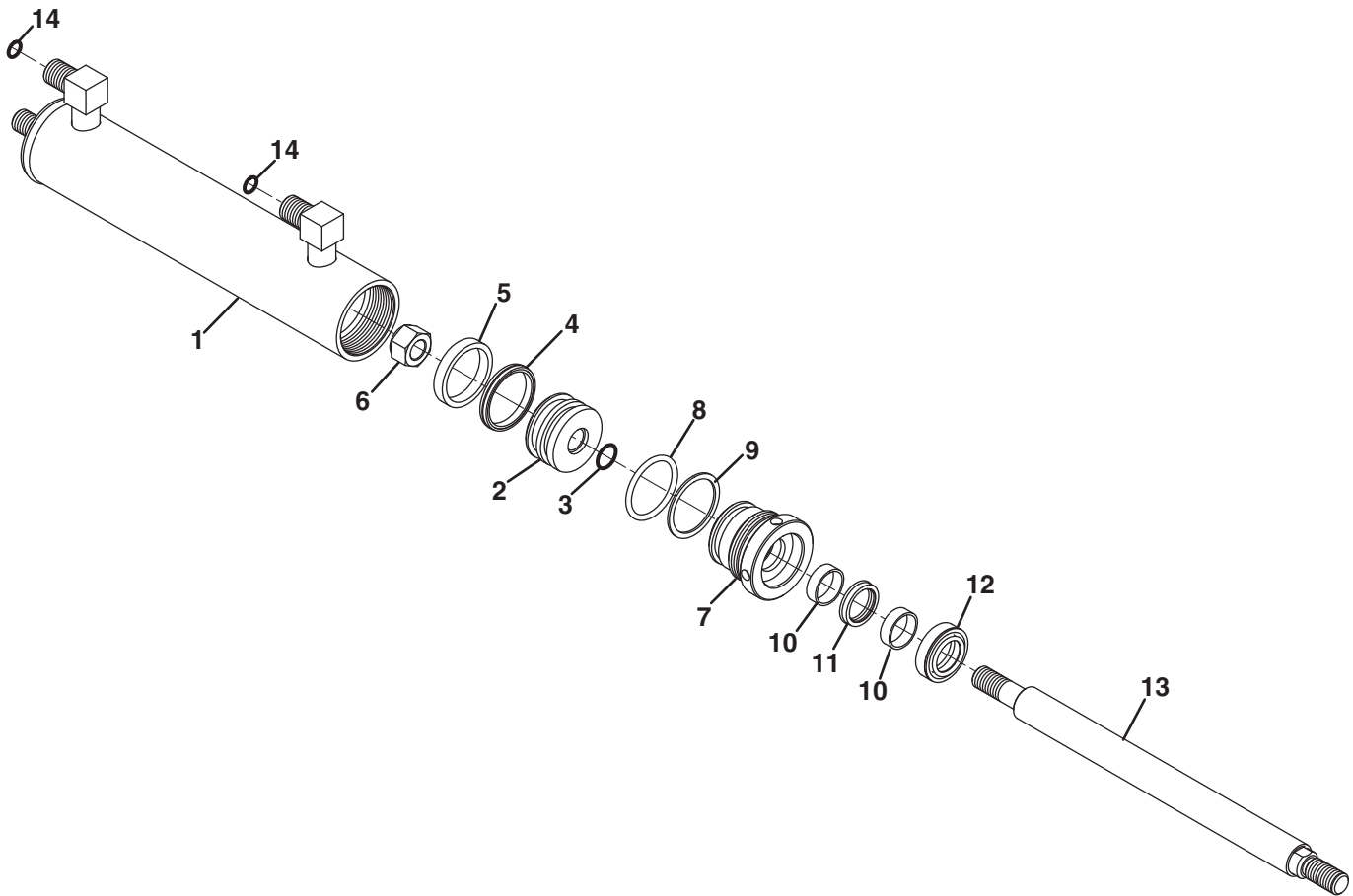
> Change from previous revision

AR722T

Serial No. All

40.1 Steering Cylinder

Part Number 4271774

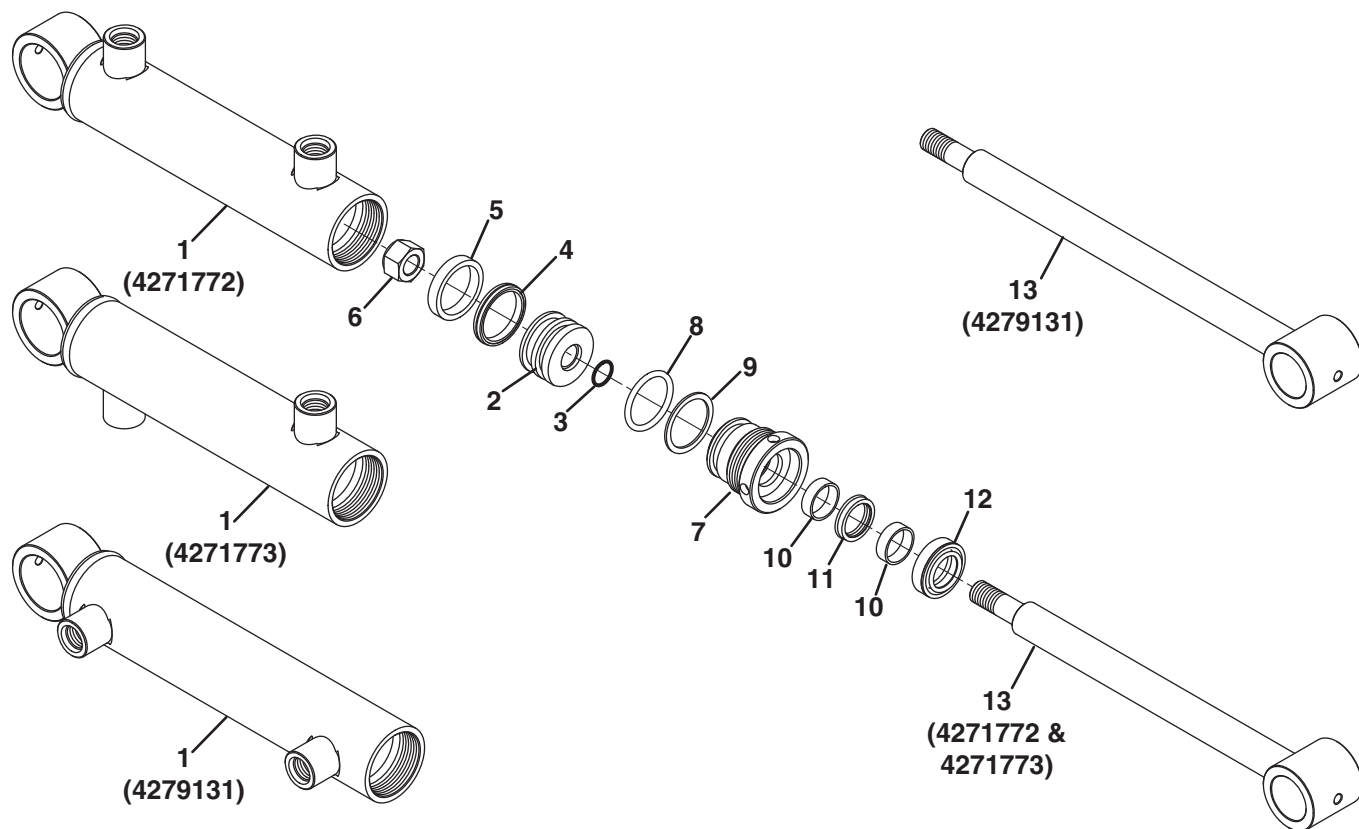


Item	Part No.	Qty.	Description	Serial Numbers/Notes
1	N/S	1	Tube, Cylinder	
2	N/S	1	Piston, 1-1/2" Tube	
3	●	1	O-Ring, Piston	
4	●	1	Seal, Piston	
5	●	1	Wear Ring, Piston	
6	N/S	1	Nut, 1/2 Hex	
7	N/S	1	Gland, Cylinder	
8	●	1	O-Ring, Gland	
9	●	1	Backup Ring, Gland	
10	●	2	Wear Sleeve, Gland	
11	●	1	Seal, Gland	
12	●	1	Wiper Seal	
13	N/S	1	Rod, Cylinder	
14	339908	2	O-Ring, -4 ORFS	
●	4276851	1	Seal Kit	Includes Items marked ●

> Change from previous revision

41.1 Lift Cylinders

Part Number 4271772, 4271773, 4279131

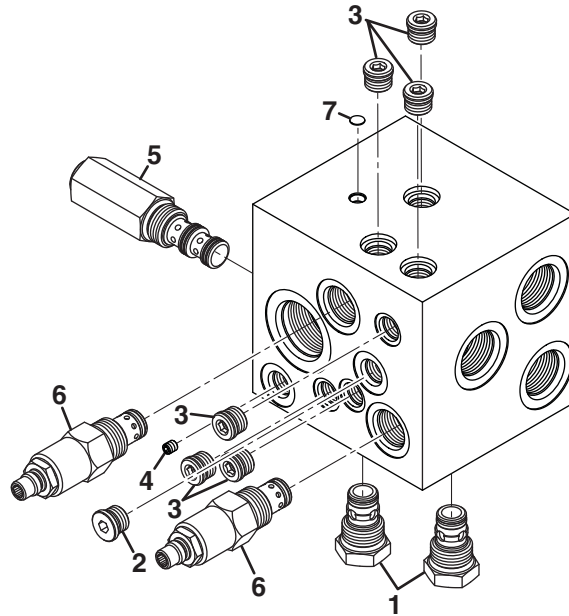


Item	Part No.	Qty.	Description	Serial Numbers/Notes
1	N/S	1	Tube, Cylinder	
2	N/S	1	Piston, 1-1/2" Tube	
3	●	1	O-Ring, Piston	
4	●	1	Seal, Piston	
5	●	1	Wear Ring, Piston	
6	N/S	1	Nut, 1/2 Hex	
7	N/S	1	Gland, Cylinder	
8	●	1	O-Ring, Gland	
9	●	1	Backup Ring, Gland	
10	●	2	Wear Sleeve, Gland	
11	●	1	Seal, Gland	
12	●	1	Wiper Seal	
13	N/S	1	Rod, Cylinder	
●	4276833	1	Seal Kit	Includes Items marked ●

> Change from previous revision

42.1 4WD Lift Valve

Part Number 4209880

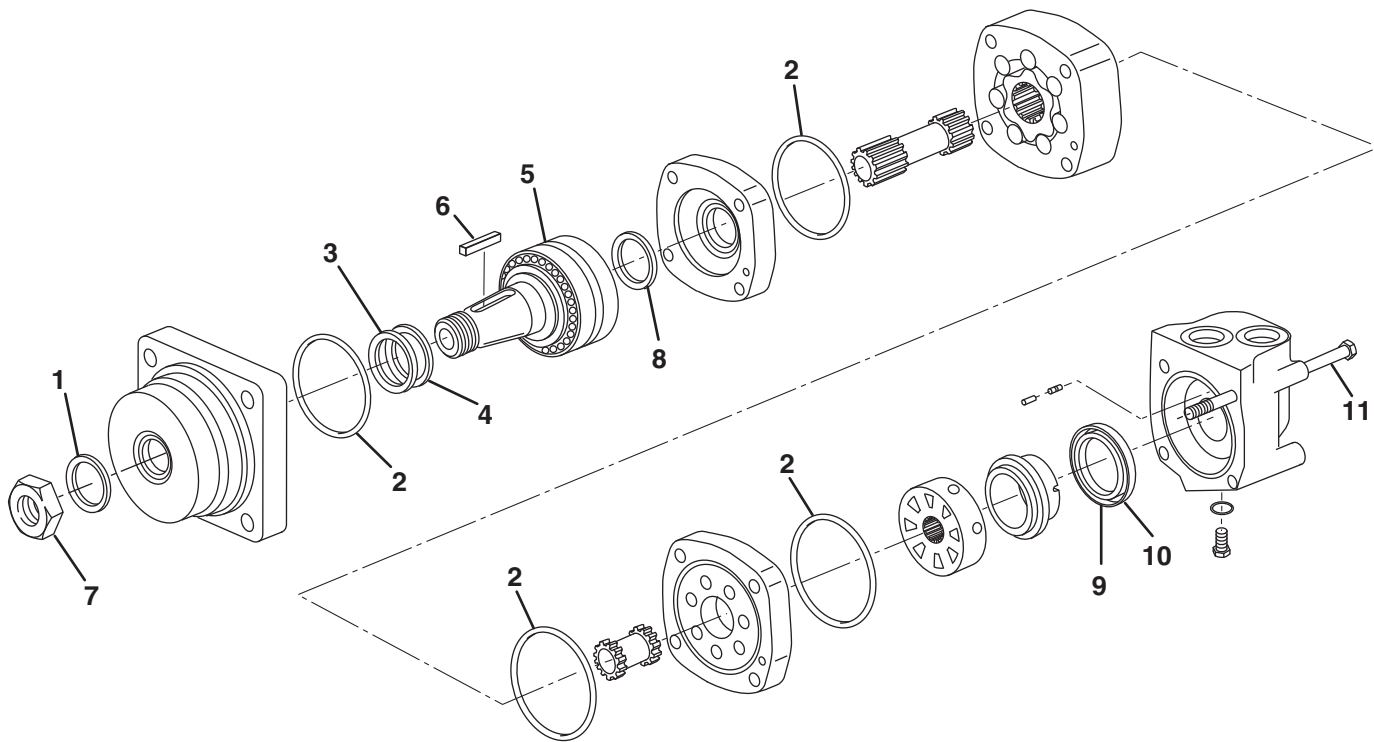


Item	Part No.	Qty.	Description	Serial Numbers/Notes
1	4216681	2	Check Valve	
	4219520	1	• Seal Kit	
2	4216683	1	Plug, -6 Straight	
	N/S	1	• O-Ring	
3	4216684	6	Plug, -6 Tapered	
	N/S	1	• O-Ring	
4	4216685	1	Orifice, 0.52" Hex Socket	
5	4216686	1	Sequence Valve, 500 psi	
	4219540	1	• Seal Kit	
6	4216689	2	Relief Valve, 400 psi	
	4219520	1	• Seal Kit	
7	4216461	1	Plug, 8mm Expander	

> Change from previous revision

43.1 Rear Wheel Motor

Part Number 4270035



Item	Part No.	Qty.	Description	Serial Numbers/Notes
1	A	1	Seal Exclusion	
2	A	4	Seal, 3" I.D.	
3	A	1	Back Up Ring	
4	A	1	Shaft Seal	
5	5003384	1	Shaft and Bearing Kit	
6	554780	1	Key	
7	554779	1	Hex Nut	
8	A	1	Shaft Face Seal	
9	A	1	Inner Face Seal	
10	A	1	Outer Face Seal	
11	4275350	4	Bolt	
	5003385	1	Seal Kit	Includes Items Marked A

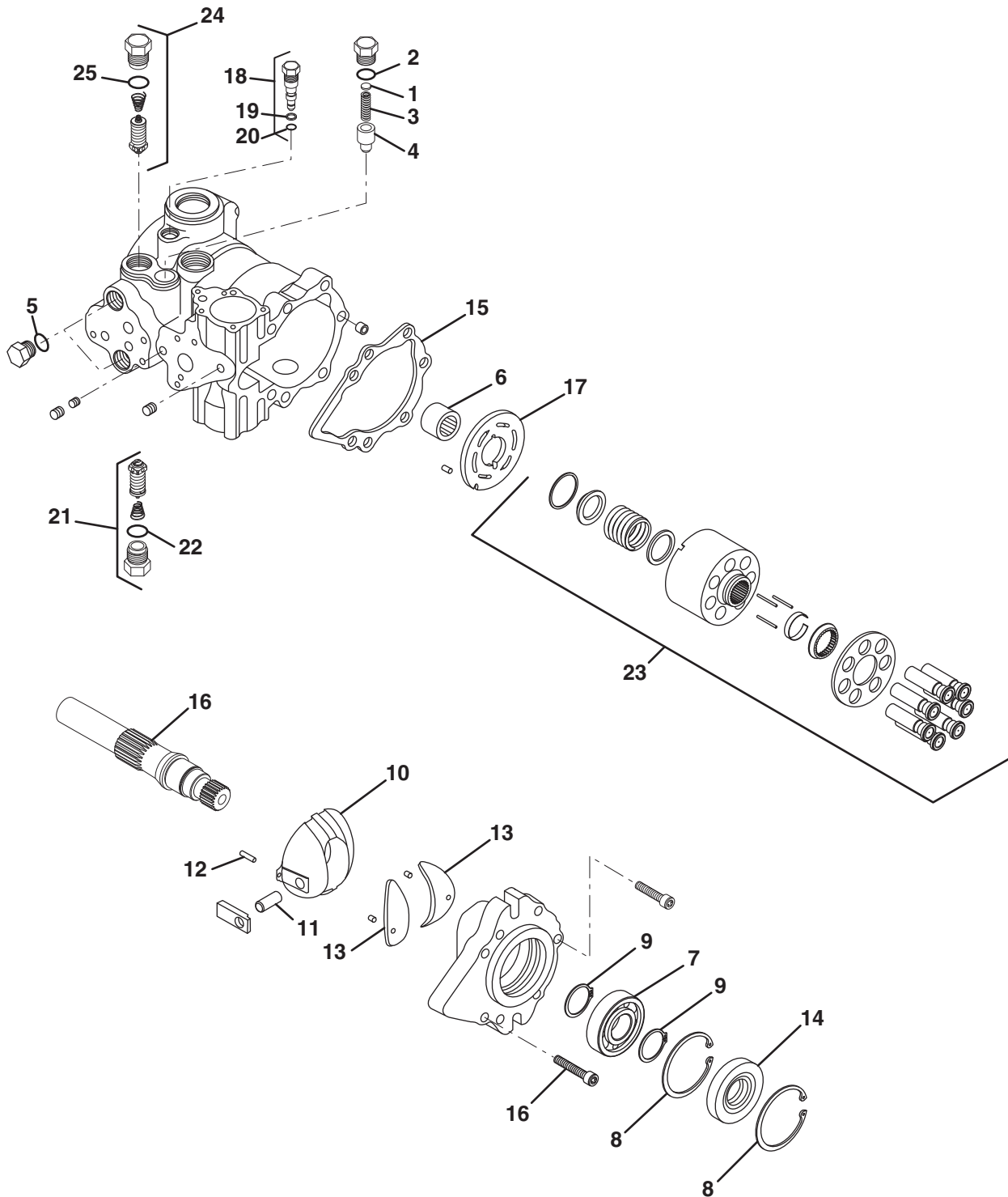
> Change from previous revision

AR722T

44.1 Traction Pump (Front Half)

Part Number 4290391

Serial No. All



Item	Part No.	Qty.	Description	Serial Numbers/Notes
● 1	4134588	1	Shim Kit	
● 2	N/S	1	O-Ring	
3	4134589	1	Charge Relief Spring	
4	4134590	1	Charge Relief Valve	
5	4134591	2	O-Ring	
6	4134592	1	Needle Bearing	
7	4134594	1	Roller Bearing	
8	4134595	2	Retaining Ring	
9	4134596	2	Ring	
10	4134597	1	Variable Swashplate	
11	4134606	1	• Pin	
12	4134607	1	• Pin	
13	4134608	2	Journal Bearing	
● 14	5003433	1	Shaft Seal	
● 15	NS	1	Front Cover Gasket	
16	4134609	1	Pump Shaft	
17	4134610	1	Valve Plate	
18	4134612	1	Bypass Valve	
● 19	N/S	1	• Backup Ring	
● 20	N/S	1	• O-Ring	
21	5003434	1	Relief Valve, 3625 psi	B Port Relief Valve
22	4134613	1	• O-Ring	
23	4134614	1	Cylinder Block Kit	
24	4267670	1	Relief Valve, 4350 psi	A Port Relief Valve
25	4134613	1	• O-Ring	
●	5003034	1	Seal Kit	Includes all Items marked ●

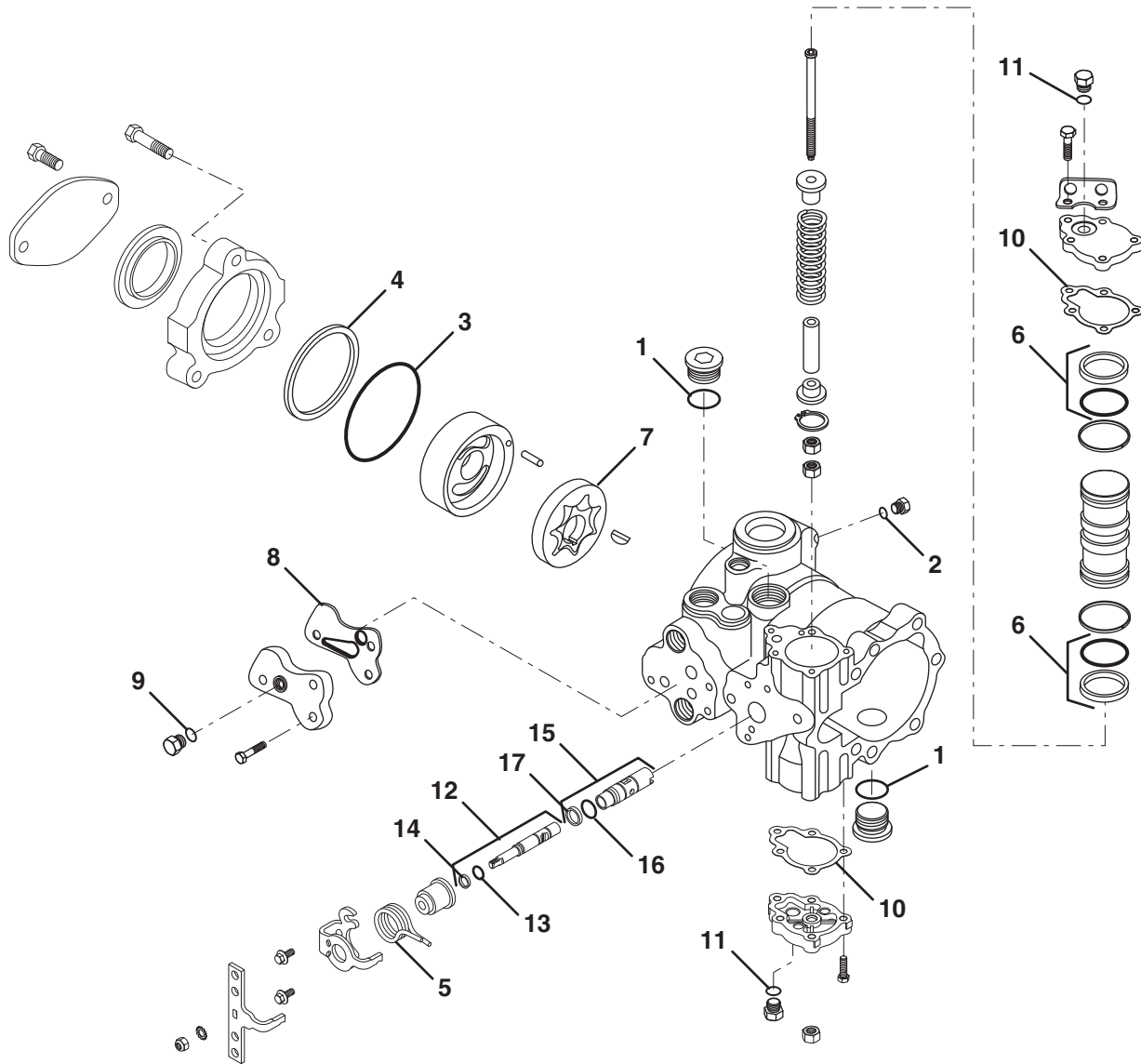
> Change from previous revision

AR722T

45.1 Traction Pump (Rear Half)

Part Number 4290391 (Cont)

Serial No. All

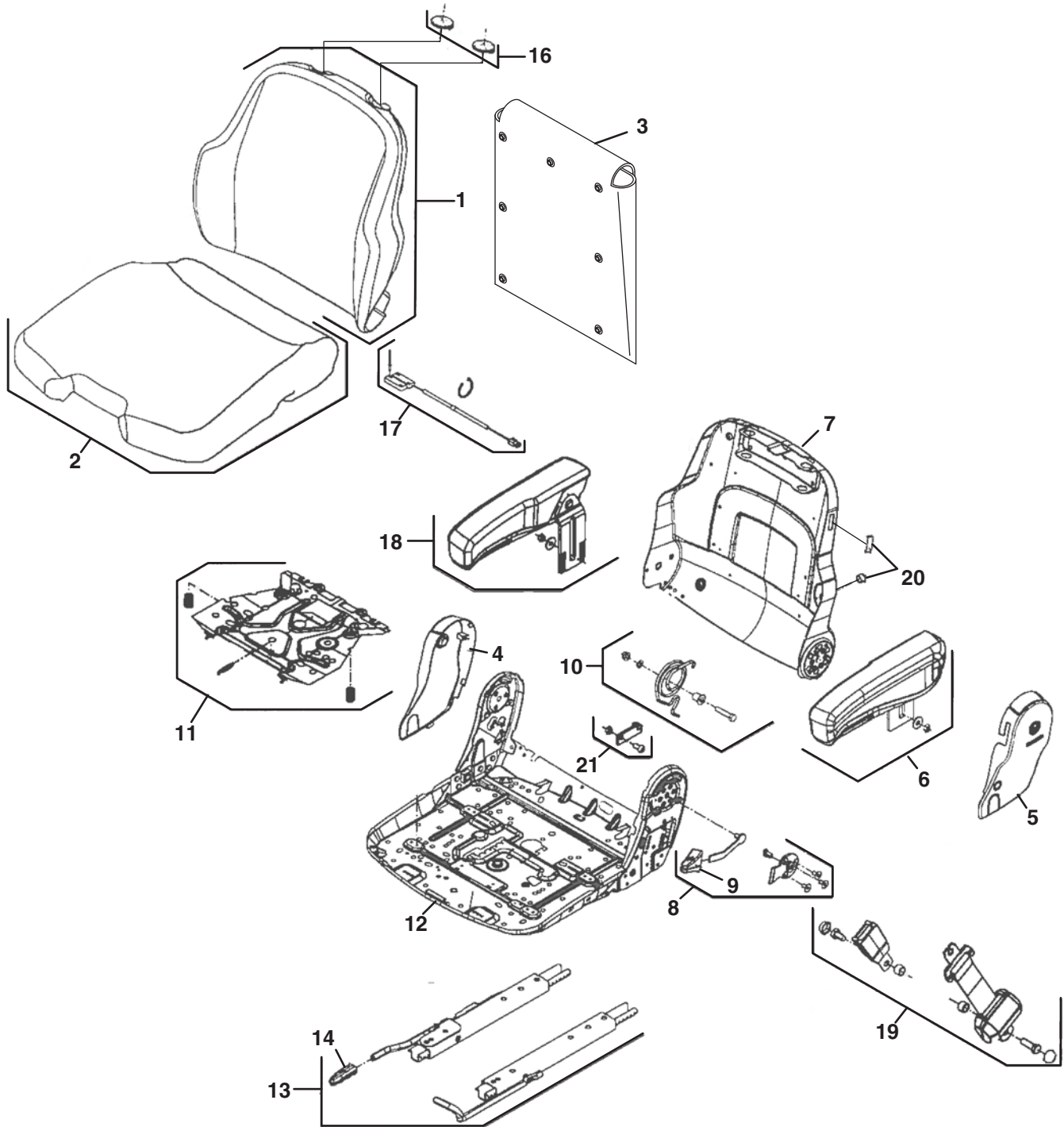


Item	Part No.	Qty.	Description	Serial Numbers/Notes
1	4134615	1	O-Ring	
2	4134616	1	O-Ring	
● 3	NS	1	O-Ring	
● 4	NS	1	Temper Load Ring	
5	4134617	1	Neutral Return Spring	
● 6	4134618	1	Piston Ring Kit	
7	4134619	1	Gerotor	
● 8	NS	1	Suction Filter Adapter Seal	
9	4134620	1	O-Ring	
● 10	NS	2	Servo Cover Gasket	
11	4134621	2	O-Ring	
12	4134622	1	Spool Assembly	
● 13	NS	1	• O-Ring	
● 14	NS	1	• Backup Ring	
15	4134623	1	Sleeve Assembly	
● 16	NS	1	• O-Ring	
● 17	NS	1	• Backup Ring	
●	5003034	1	Seal Kit	Includes all Items marked ●

> Change from previous revision

46.1 Seat Breakdown

4290611 Seat and Suspension Assembly

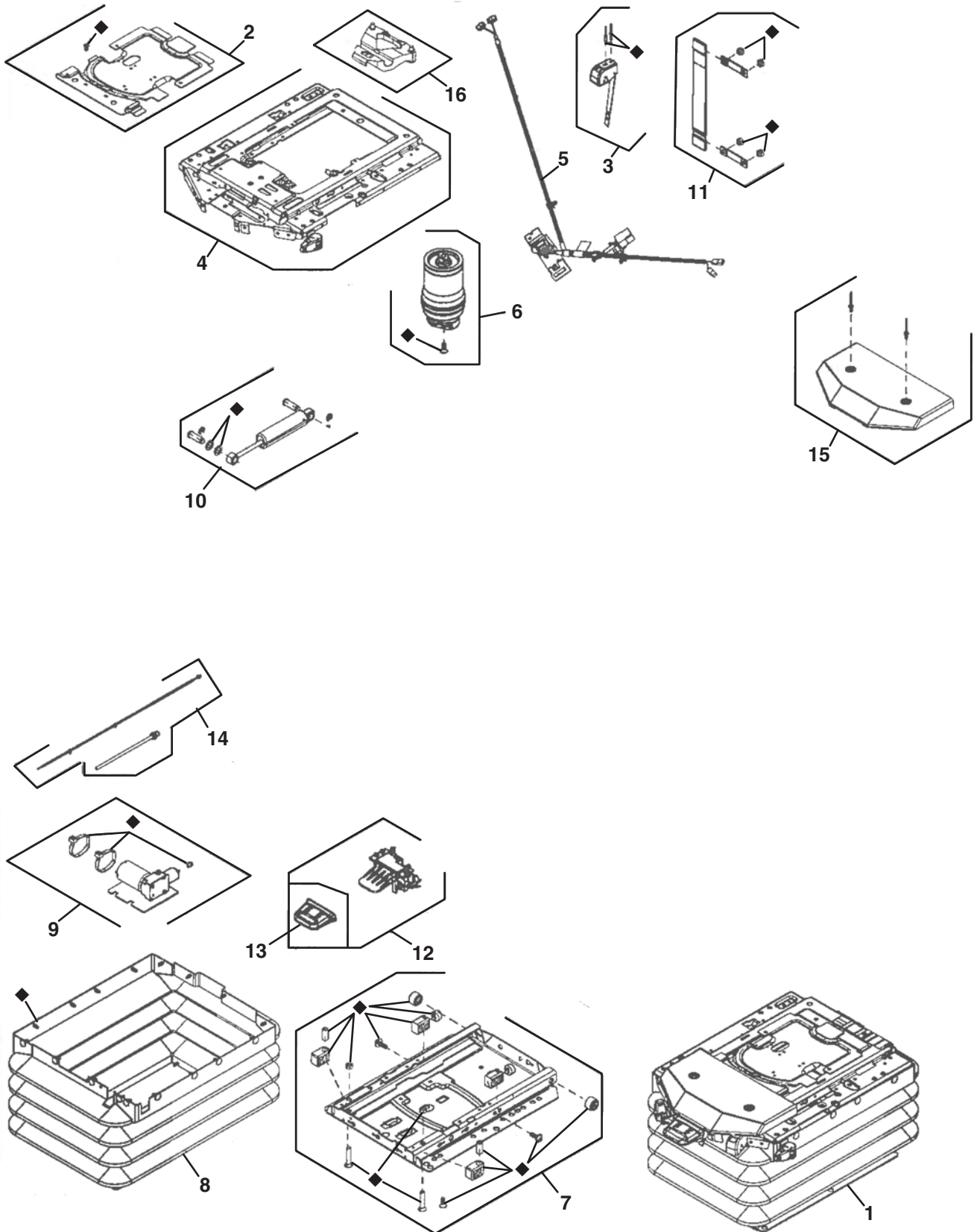


Item	Part No.	Qty.	Description	Serial Numbers/Notes
1	4297920	1	Cushion Kit, Back	
	4297936	1	• Small Parts, Cushion	
2	4297921	1	Cushion Kit, Seat	
	4297936	1	• Small Parts, Cushion	
3	4297922	1	Kit, Document Pouch	
	4297940	1	• Small Parts, Document	
4	4297923	1	Cover, Right Side	
5	4297924	1	Cover, Left Side	
6	4297925	1	Arm Rest, Left Side	
7	4297926	1	Backrest	
8	4297927	1	• Mounting Kit for Backrest	
9	4297934	1	• • Handle Grip	
10	4297928	1	Backrest Bearing	
11	4297929	1	Compensator	
12	4297930	1	Seat Pan Kit	
13	4297931	1	Adjustment Slide Kit	
14	4297932	1	• Handle, Adjustment	
15	4279717	1	Slide Mounting Parts (Not Shown)	
16	4297935	1	Cover, Head Rest Holes	
17	4297937	1	Seat Switch Kit	
18	4297938	1	Arm Rest, Right Side	
19	4297939	1	Seat Belt Kit	
20	4297941	1	Small Parts, Backrest	
21	4297942	1	Stop Catch for Backrest	

> Change from previous revision

47.1 Seat Suspension Breakdown

4290611 Seat and Suspension Assembly

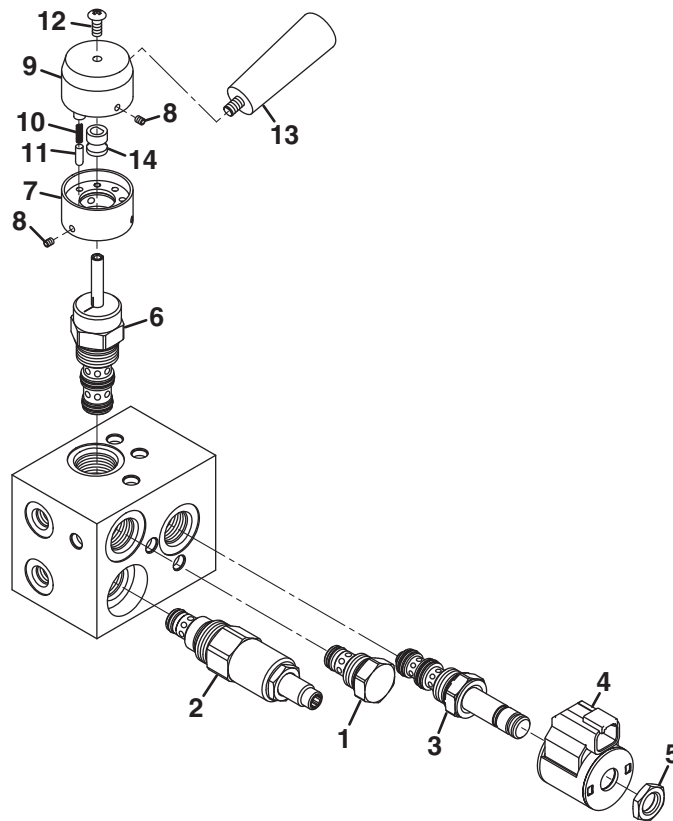


Item	Part No.	Qty.	Description	Serial Numbers/Notes
1	4297898	1	Suspension, Grammer MSG95G	
2	4297892	1	• Cover	
	4297909	1	• • Small Parts Kit, Cover	
3	4297893	1	• Level Indicator	
4	4297894	1	• Suspension, Upper Part	
	4297911	1	• • Small Parts Kit, Upper Suspension	
5	4297895	1	• Wiring Harness	
6	4297896	1	• Air Spring	
	4297912	1	• • Small Parts Kit, Air Spring	
7	4297899	1	• Suspension, Lower Part	
	4297913	1	• • Small Parts Kit, Lower Suspension	
8	4297900	1	• Bellows	
	4297908	1	• • Mounting Parts Kit, Bellows	
9	4297901	1	• Compressor, 12V	
	4297910	1	• • Small Parts Kit, Compressor	
10	4297902	1	• Shock Absorber	
	4297907	1	• • Small Parts Kit, Shock Absorber	
11	4297903	1	• Belt Loop	
	4297914	1	• • Small Parts Kit	
12	4297904	1	• Trigger, Height Adjust Module	
	4297916	1	• • Small Parts Kit, Height Adjust	
13	4297906	1	• • Handle, Height Adjust	
14	4297905	1	• Inner Tube	
	4297915	1	• • Small Parts Kit, Inner Tube	
15	4297918	1	• Cover	
16	4297919	1	• Thrust Bearing	
17	4297917	1	• Mounting Parts, Slide (Not Shown)	
◆	4297897	1	• Set of Wear Parts	Includes all parts marked ◆

> Change from previous revision

48.1 Brake Valve

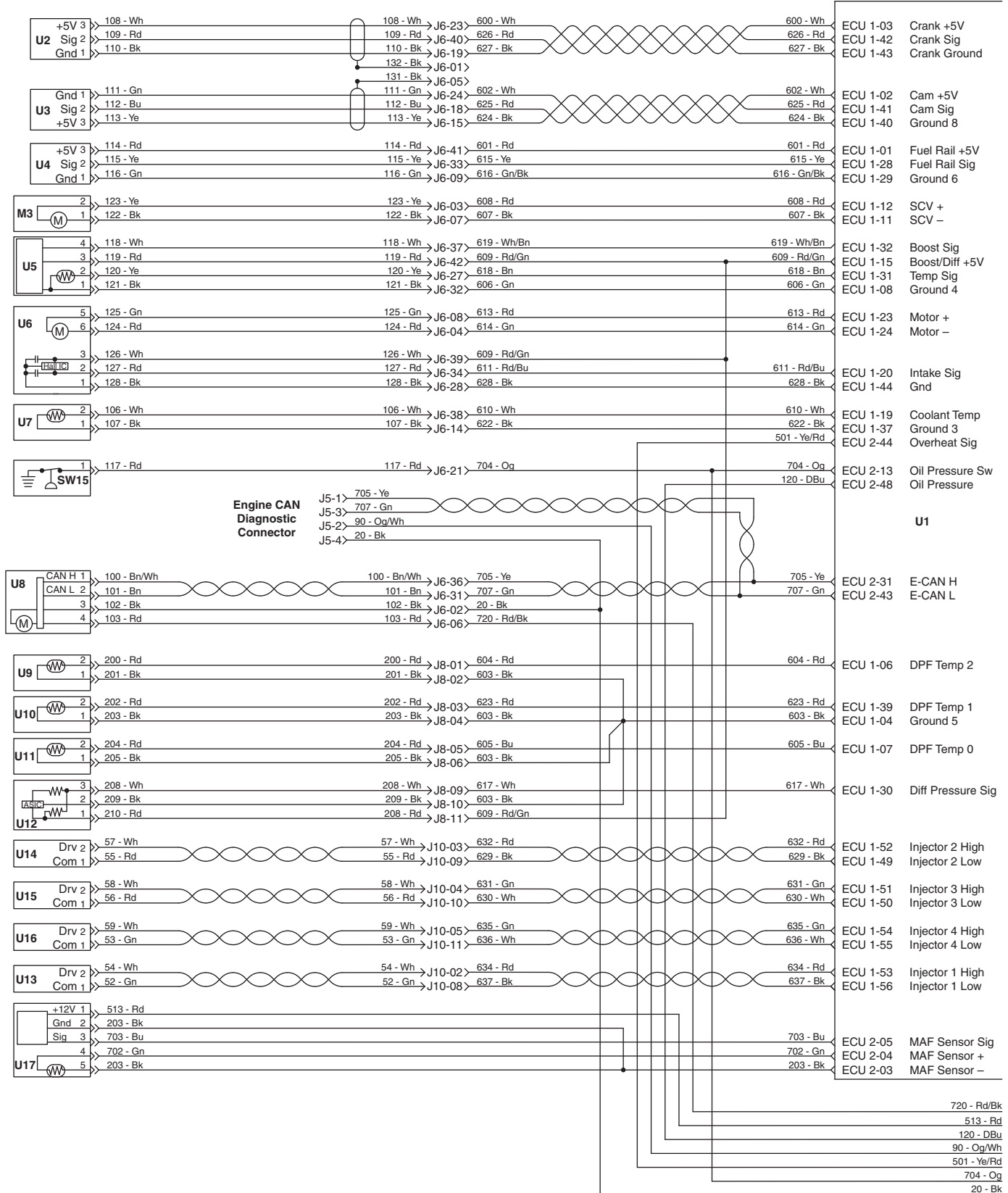
Part Number 4286672



Item	Part No.	Qty.	Description	Serial Numbers/Notes
1	4286673	1	Check Valve	REFERENCE SOL11, See 49.1
	5003578	1	• Seal Kit	
2	4286674	1	Relief Valve, 350 psi	
	5003578	1	• Seal Kit	
3	4286675	1	Solenoid Valve	
	556858	1	• Seal Kit	
4	4114532	1	Coil, Solenoid Valve	
5	N/S	1	Nut, Coil	
6	4286676	1	Valve, Manual Rotary	
	5003579	1	• Seal Kit	
	4286677	1	Kit, Handle	
7	N/S	1	• Adapter Plate Assembly	
8	N/S	5	• Set Screw	
9	N/S	1	• Rotator	
10	N/S	1	• Spring, Detent	
11	N/S	1	• Pin, Detent	
12	N/S	1	• Screw, Rotator	
13	N/S	1	• Handle	
14	N/S	1	• Spacer	

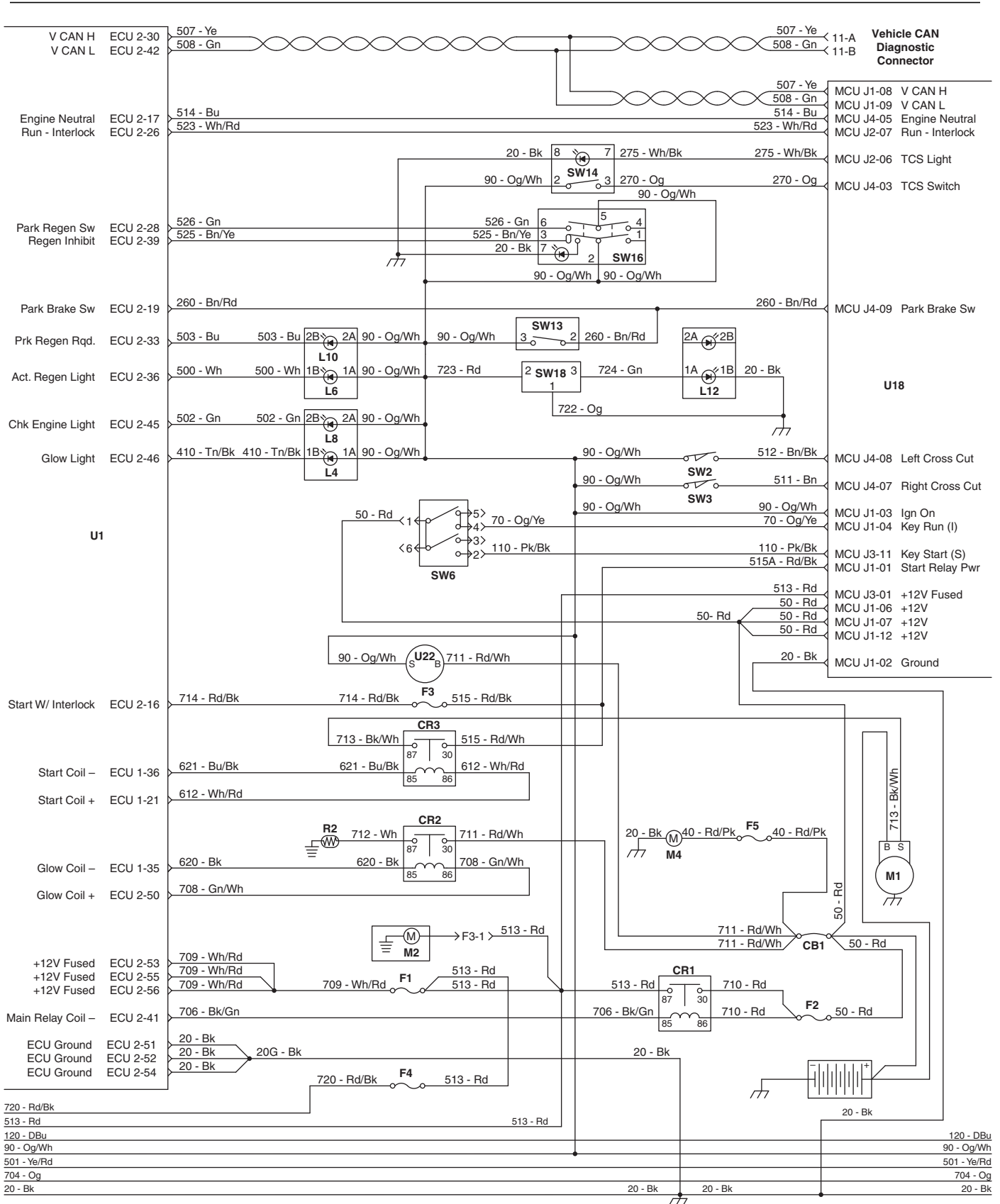
> Change from previous revision

49.1 Electrical Schematic Engine Controller



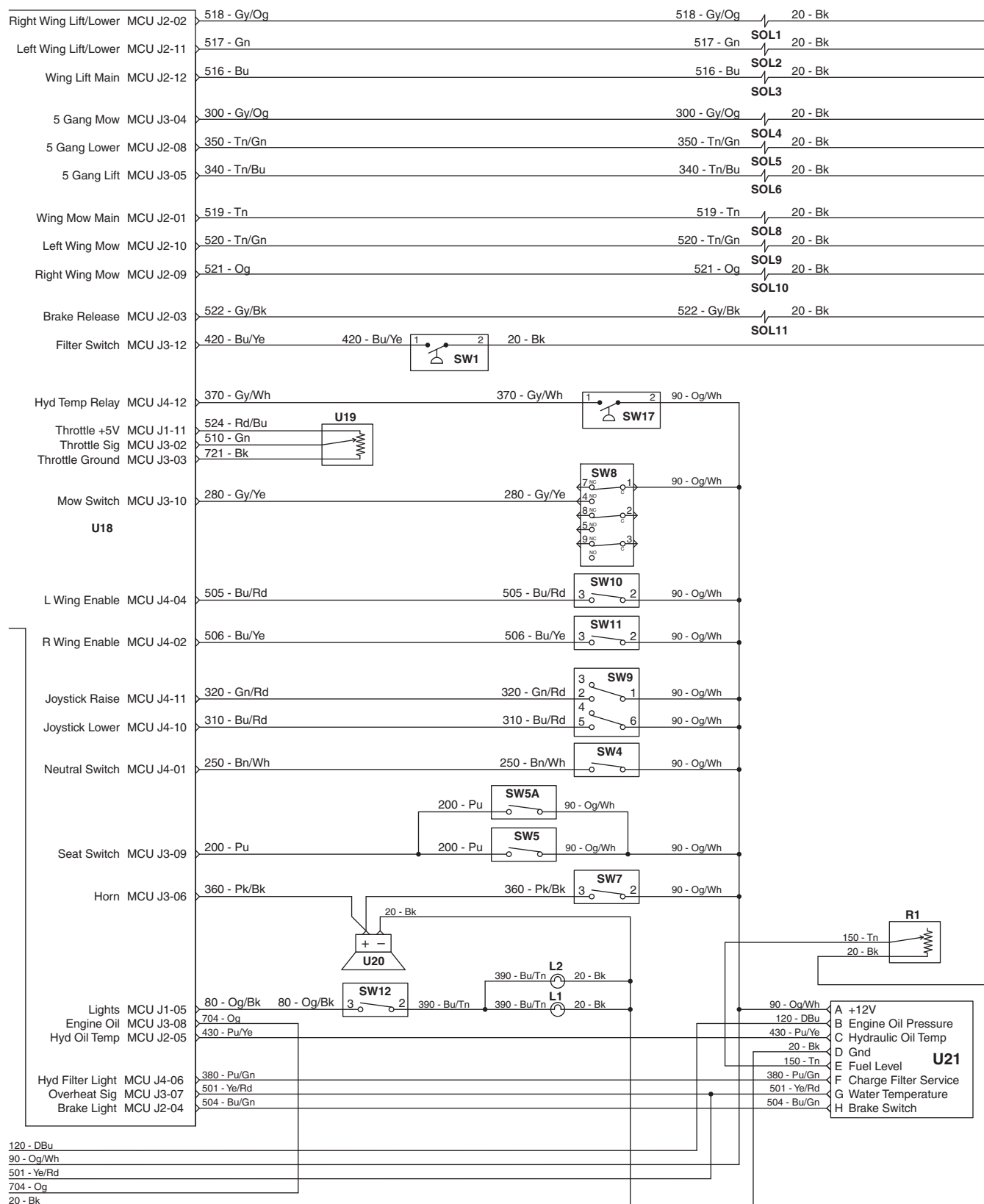
49.1 Electrical Schematic

Power Distribution, Engine to Mower Controller Connections



49.1 Electrical Schematic

Mower Controller



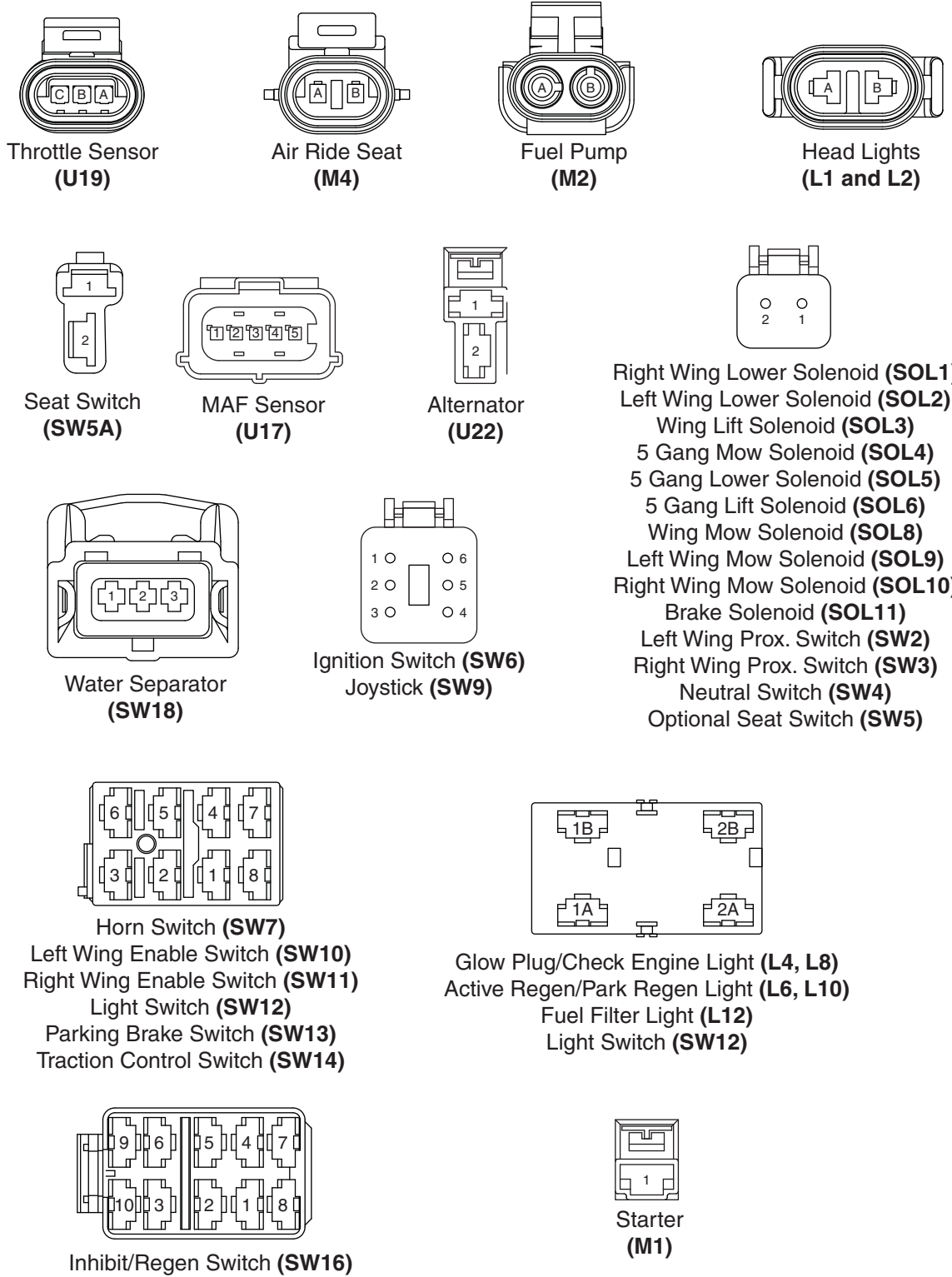
AR722T

Item	Reference Illustration	Part Number	Description	Serial Numbers/Notes
B1	See 28.1	NS	Battery	
CB1	See 28.1	361439	50 Amp Circuit Breaker (Alternator)	
CR1	See 28.1	4271134	Main Power Relay	
CR2	See 28.1	4221100	Glow Plug Relay	
CR3	See 28.1	4271134	Starter Relay	
F1	See 28.1	5003280	10 Amp Fuse	
F2	See 28.1	5003283	25 Amp Fuse	
F3	See 28.1	5003278	5 Amp Fuse	
F4	See 28.1	5003278	5 Amp Fuse	
F5	See 28.1	5003282	20 Amp Fuse	
F6	See 28.1	5003282	20 Amp Fuse	Included in Mower Controller
F7	See 28.1	5003282	20 Amp Fuse	Included in Mower Controller
L1	See 28.1	4123183	Left Headlight Bulb	
L2	See 28.1	4123183	Right Headlight Bulb	
L4	See 4.1	N/S	Glow Plug Light	Included in 4270810
L6	See 4.1	N/S	Active Regen Light	Included in 4270816
L8	See 4.1	N/S	Check Engine Light	Included in 4270810
L10	See 4.1	N/S	Park. Regen Light	Included in 4270816
L12	See 4.1	N/S	Fuel Filter Light	Included in 4283955
M1	Not Shown	4198229	Starter Motor	Included in Engine
M2	See 15.1	4272290	Fuel Pump	
M3	Not Shown	4297196	Supply Pump	Included in Engine
M4		4297901	Air Ride Seat Compressor	
R1	See 15.1	3006337	Fuel Sender	
R2	Not Shown	4289844	Glow Plug	Included in Engine
SOL1	See 39.1	4134530	Left Wing Mow Solenoid	
SOL2	See 38.1	4134532	Wing Lift/Lower Solenoid	
SOL3	See 38.1	4134530	Left Wing Lift/Lower Solenoid	
SOL4	See 37.1	4134530	5 Gang Mow Solenoid	
SOL5	See 36.1	4142009	5 Gang Lower Solenoid	
SOL6	See 36.1	4134530	5 Gang Lift Solenoid	
SOL8	See 38.1	4134530	Right Wing Lift/Lower Solenoid	
SOL9	See 39.1	4134530	Wing Mow Solenoid	
SOL10	See 39.1	4134530	Right Wing Mow Solenoid	
SOL11	See 48.1	4114532	Brake Release Solenoid	
SW1	See 16.1	556419	Hydraulic Filter Switch	
SW2	See 31.1	4140149	Left Wing Proximity Switch	
SW3	See 31.1	4140149	Right Wing Proximity Switch	
SW4	See 6.1	4125831	Neutral Switch	
SW5	Not Shown	4139450	Seat Switch	Optional Michigan Seat
SW5A	See 3.1	4297937	Seat Switch	Standard Grammer Seat
SW6	See 4.1	4283269	Ignition Switch	OFF- 1+6; 4+5 Run - 1+3+4+5+6 Start - 1+2+4+5+6
SW7	See 4.1	4130133	Horn Switch	

Item	Reference Illustration	Part Number	Description	Serial Numbers/Notes
SW8	See 4.1	4174684	Mow Switch	
SW9	See 4.1	1004290	Joystick	
SW10	See 4.1	4130132	Left Wing Enable	
SW11	See 4.1	4130132	Right Wing Enable	
SW12	See 4.1	4130132	Light Switch	
SW13	See 4.1	4139764	Parking Brake Switch	
SW14	See 4.1	4137524	Traction Control Switch	
SW15	Not Shown	554018	Engine Oil Pressure Switch	Included in Engine
SW16	See 4.1	4270822	Inhibit/Regen Switch	
SW17	See 15.1	3001279	Hydraulic Level Switch	
SW18	Not Shown	4297128	Water Separator Sensor	Included in Engine
U1	See 5.1	4277151	Engine Controller (ECU)	
U2	Not Shown	4297158	Crankshaft Position Sensor	Included in Engine
U3	Not Shown	4297200	Camshaft Position Sensor	Included in Engine
U4	Not Shown	4297197	Fuel Rail Pressure Sensor	Included in Engine
U5	Not Shown	4297240	Boost Pressure Sensor	Included in Engine
U6	Not Shown	4297217	Intake Throttle Valve	Included in Engine
U7	Not Shown	4297262	Coolant Temperature Sender	Included in Engine
U8	Not Shown	4297117	EGR Valve	Included in Engine
U9	Not Shown	4297183	DPF Exhaust Temperature Sender 2	Included in Engine
U10	Not Shown	4297130	DPF Exhaust Temperature Sender 1	Included in Engine
U11	Not Shown	4297129	DPF Exhaust Temperature Sender 0	Included in Engine
U12	Not Shown	4297132	Diff Pressure Sender	Included in Engine
U13	Not Shown	4297198	Injector, Cylinder 1	Included in Engine
U14	Not Shown	4297198	Injector, Cylinder 2	Included in Engine
U15	Not Shown	4297198	Injector, Cylinder 3	Included in Engine
U16	Not Shown	4297198	Injector, Cylinder 4	Included in Engine
U17	See 12.1	4266170	MAF Sensor (Mass Air Flow)	Included in Engine
U18	See 28.1	4270813	Mower Controller (VCU)	
U19	See 4.1	4229340	Throttle Position Sensor	
U20	See 5.1	366670	Horn	
U21	See 4.1	4270811	Combination Gauge	
U22	Not Shown	5000938	Alternator	Included in Engine

50.1 Connector Terminal Identification

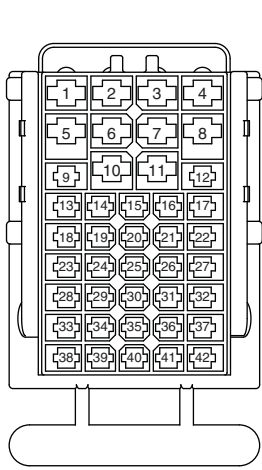
Mower Harness 4270817



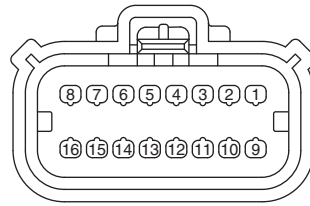
Terminal Identification is from open (Not Wire) end of connector

50.1 Connector Terminal Identification

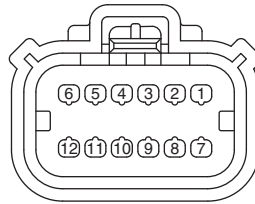
Mower Harness 4270817 (Continued)



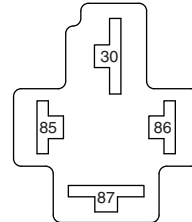
J6
Connects to Engine Harness



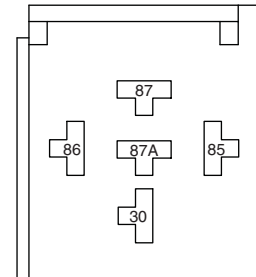
J8
Connects to DPF Harness



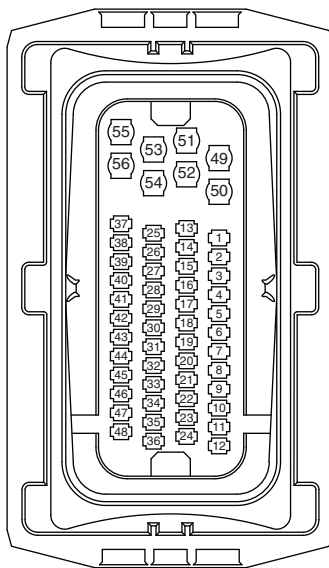
J10
Connects to Injector Harness



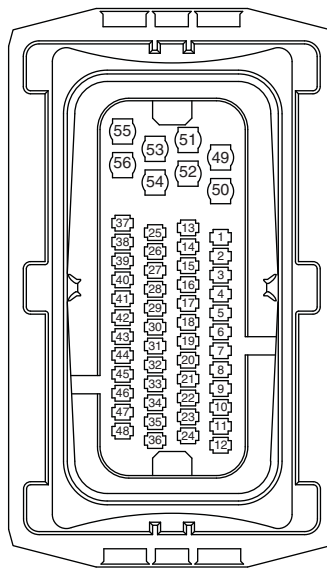
Glow Plug Relay
(CR2)



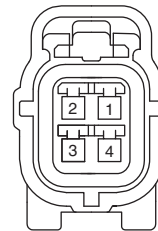
Main Relay **(CR1)**
Starter Relay **(CR3)**



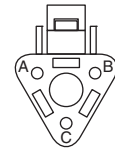
ECU 1
(U1)



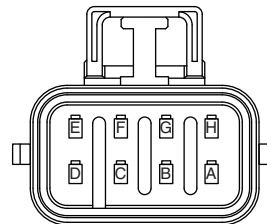
ECU 2
(U1)



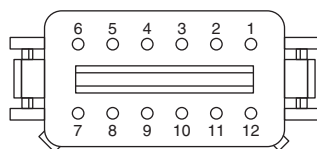
J5 DiagMaster



J11 CAN



Combination Gauge
(U21)



MCU J1 **(U18)**
(Grey)



MCU J2 **(U18)**
(Green)



MCU J3 **(U18)**
(Black)

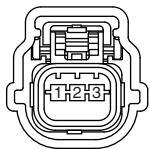


MCU J4 **(U18)**
(Brown)

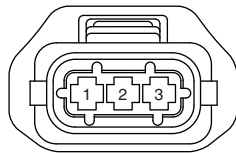
Terminal Identification is from open (Not Wire) end of connector

50.1 Connector Terminal Identification

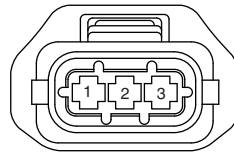
Engine Harness 4297202 (Included with Engine)



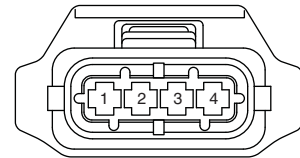
Crank Sensor
(U2)



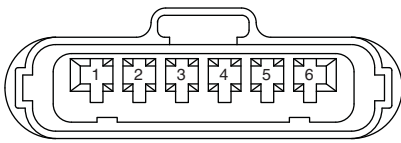
Cam Sensor
(U3)



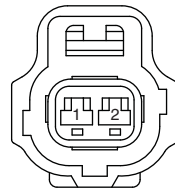
Rail Pressure Sensor
(U4)



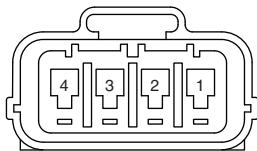
Boost Pressure Sensor
(U5)



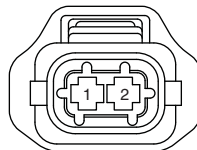
Intake Throttle Valve
(U6)



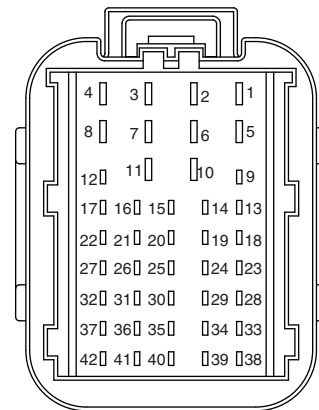
Coolant Temperature
(U7)



EGR Valve
(U8)



Supply Pump
(M3)

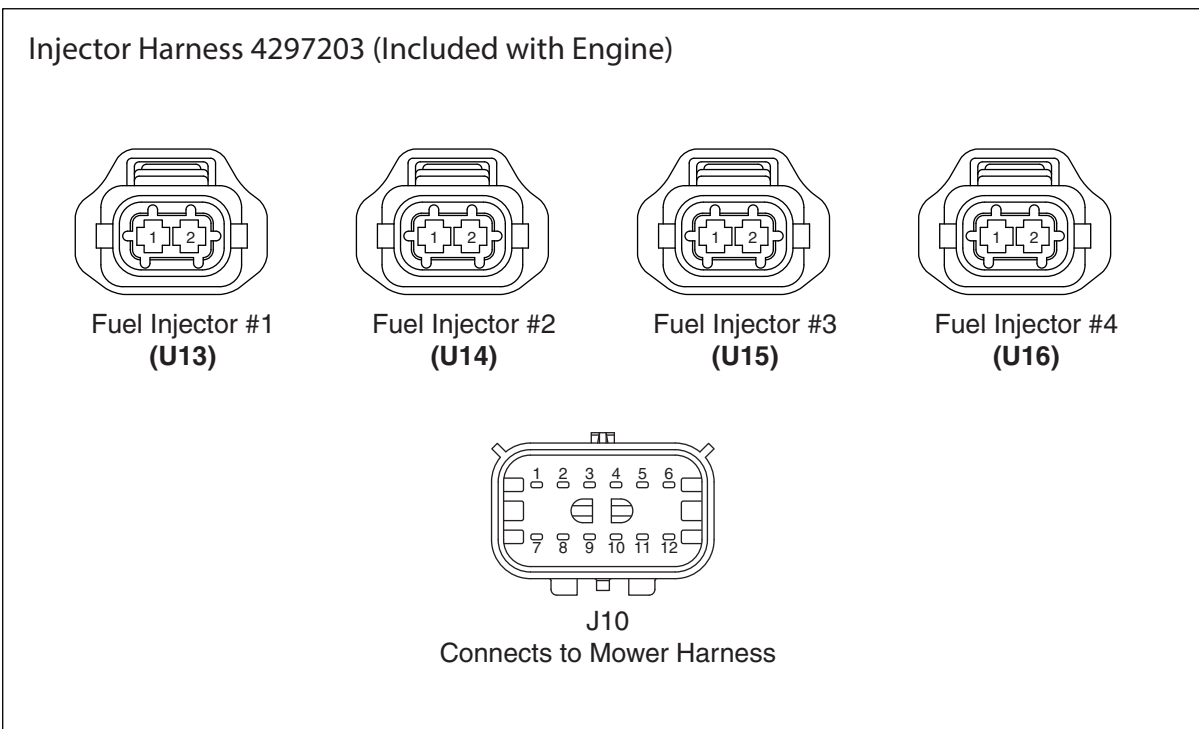
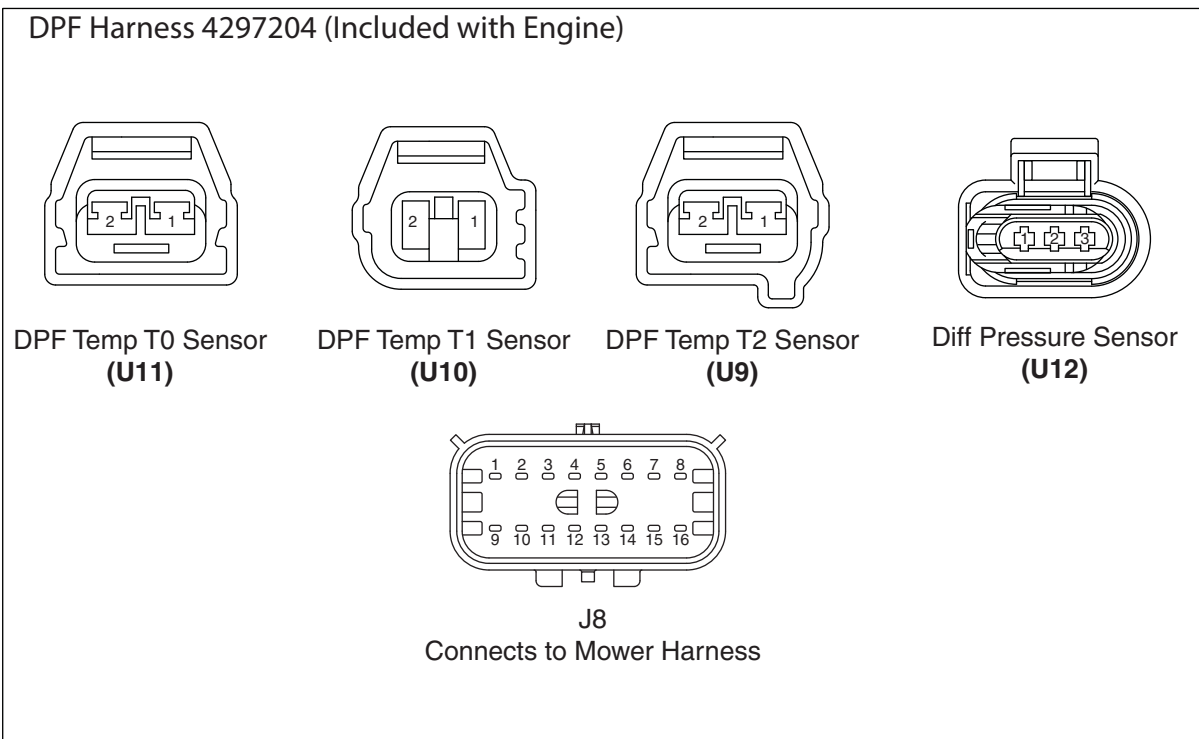


J6
Connects to Mower Harness

Terminal Identification is from open (Not Wire) end of connector

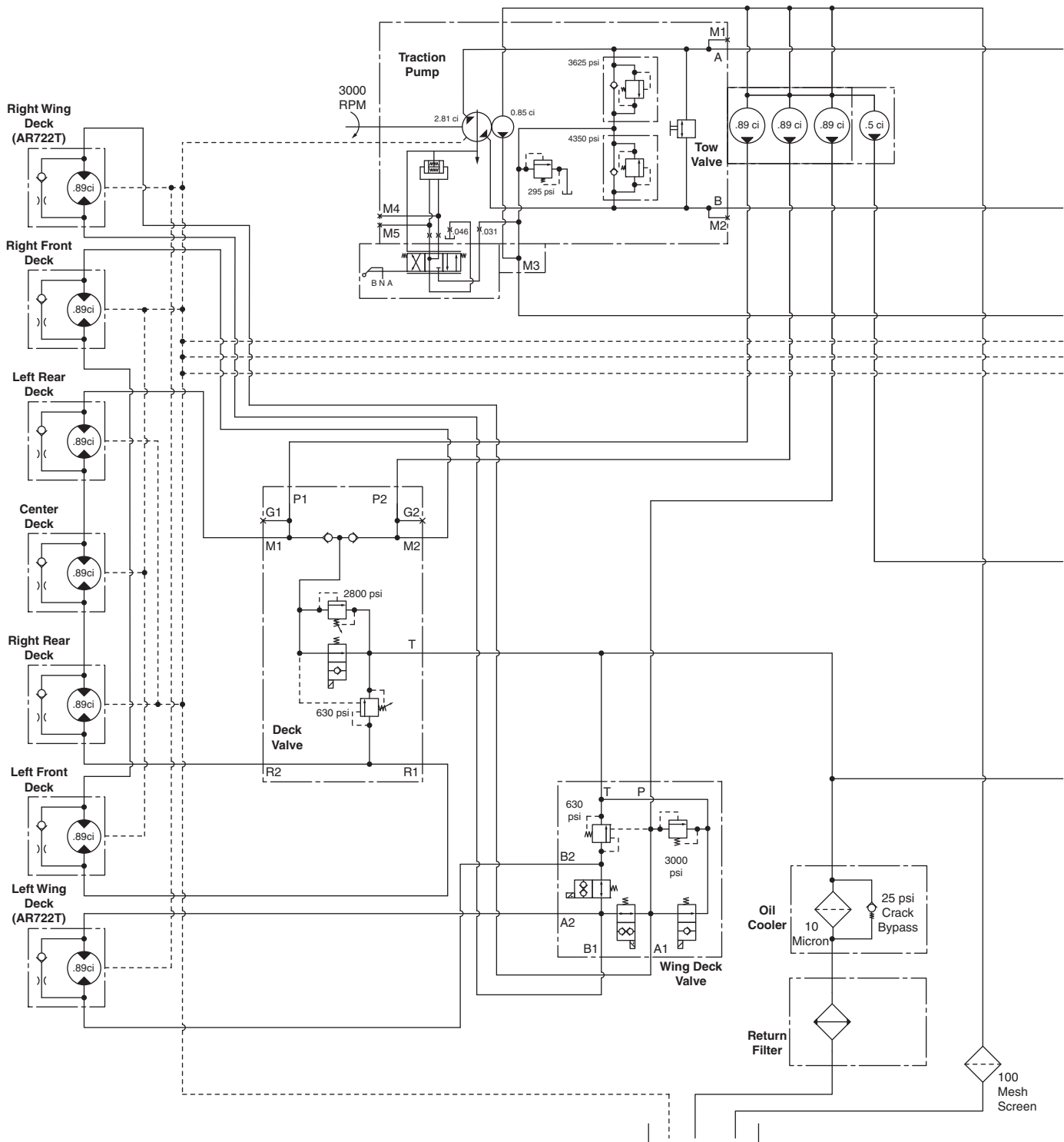
50.1 Connector Terminal Identification

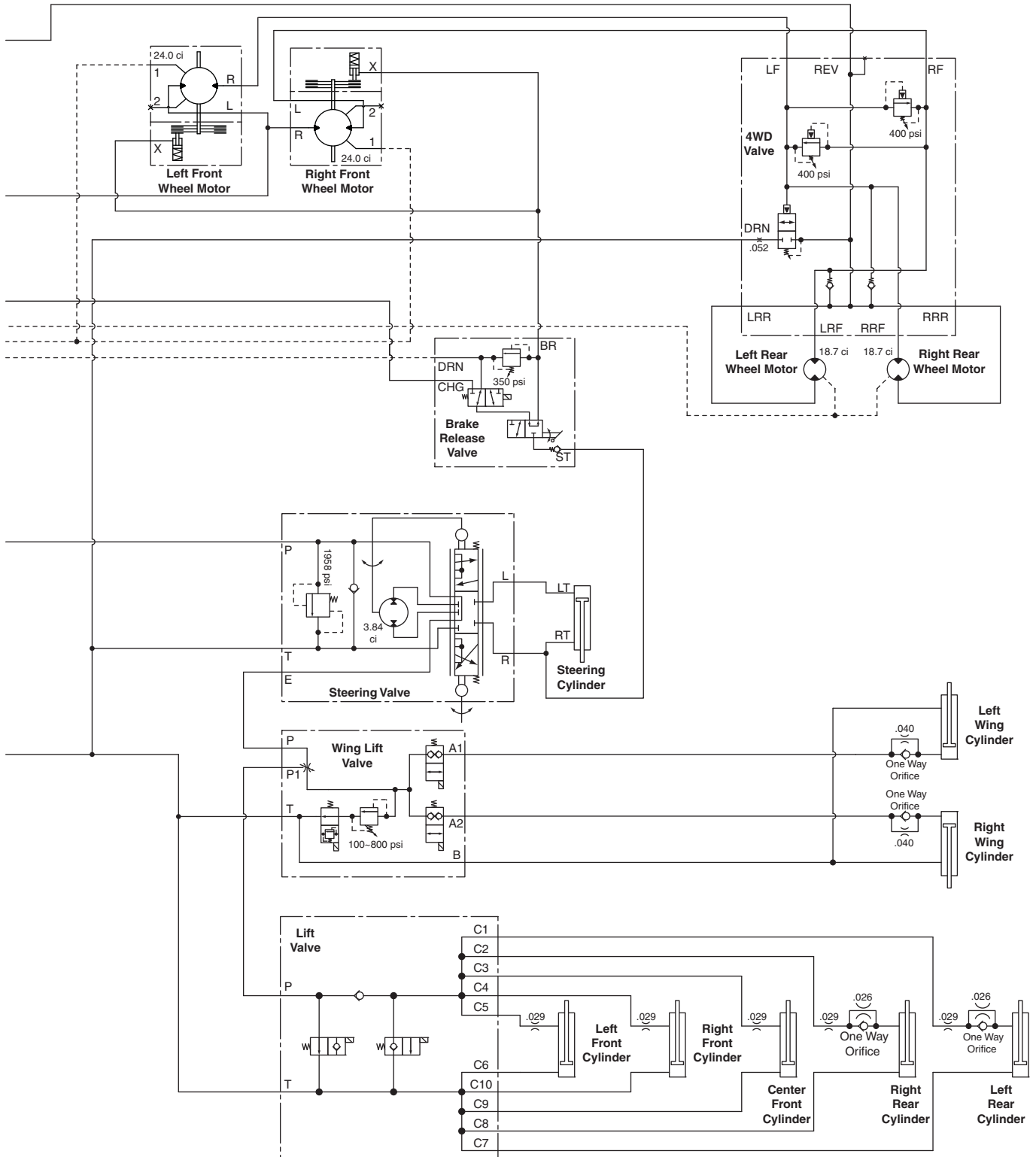
Injector Harness 4297203 and DPF Harness 4297204





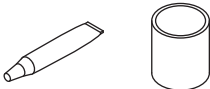
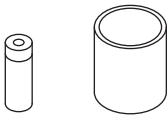

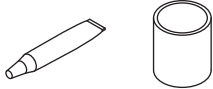

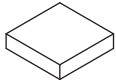
Terminal Identification is from open (Not Wire) end of connector

51.1 AR722T Hydraulic Schematic





Fluids and Compounds

<p align="center">Hydraulic Fluid*</p>		
5001405	Two 2-1/2 Gallon Container of ISO VG68 Oil	
5001404	One 5 Gallon Pail of ISO VG68 Oil	
2500548	Two 2-1/2 Gallon Container of 10W30 Oil	
2500546	One 5 Gallon Pail of 10W30 Oil	
503409	Two 2-1/2 Gallon Container of ATF Fluid	
503407	One 5 Gallon Pail of ATF Fluid	
<p align="center">2-Cycle Oil</p>		
554599	Twenty Four 8 Ounce Plastic Container	
<p align="center">Grease</p>		
5000067	One 5 Gallon Pail OO-Grease	
5000068	Twenty Four 8 Ounce Tube OO-Grease	
<p align="center">Paint</p>		
4184140	12 Ounce Orange Aerosol Can	
2500789	Twelve 1 Quart Can Orange	
546409	Two 1 Gallon Can Orange	
5002631	Hunter Green Aerolol Can	
838140	16 Ounce Ransomes Green Aerosol Can	
4112764	1 Quart Can Ransomes Green	
<p align="center">Lapping Compound</p>		
5002488	One 10 Pound Pail of 80 Grit	
5002490	One 25 Pound Pail of 80 Grit	
5002489	One 10 Pound Pail of 120 Grit	
5002491	One 25 Pound Pail of 120 Grit	
<p align="center">Specialty Compound</p>		
365422	5.3 Ounce Tube of Electrical Insulating Gel	
5001581	14 Ounce Can of Lubriplate Multi Lube A	
523248	Chain Lubricant	
4136736	Zinc Spray Corrosion Protection	
<p align="center">Biodegradable Hydraulic Fluid*</p>		
5003102	One 55 Gallon Drum Jacobsen GreensCare 68	
5003103	One 5 Gallon Pail Jacobsen GreensCare 68	
4219840	One 5 Gallon Pail Jacobsen GreensCare Plus 68	
5003105	One 55 Gallon Drum Jacobsen GreensCare 46	
5003104	One 5 Gallon Pail Jacobsen GreensCare 46	
4219860	One 5 Gallon Pail Jacobsen GreensCare Plus 46	
4115976	One 55 Gallon Drum Jacobsen GreensCare 32	
4115977	One 5 Gallon Pail Jacobsen Greens Care 32	
4114701	GreensCare Bio-Flush	
5003106	Twenty Four 14 Ounce Tube Greens Care Grease	
<p align="center">O-Ring Kit</p>		
5002452	SAE O-Ring Boss (3/32 ~ 2" Tube O.D.)	
5002453	Common O-Ring Kit	
5002454	O-Ring Face Seal ORFS (-4 ~ -24 ORS Tube Size)	
<p align="center">On-Time Maintenance Kit</p> <p align="center">See your local Jacobsen Dealer</p>		

* Refer to the Parts & Maintenance manual for the correct hydraulic oil requirements for your machine.

Jacobsen offers a High Usage Parts Catalog illustrating commonly used Parts through easy to read line Drawings. See your local Jacobsen Dealer for a copy.

INDEX

008008460.....	19	322847.....	21	340215.....	43, 49, 57	400256.....	35, 69
1001503.....	49	326112.....	27, 31	340241.....	49	400258.....	9, 31, 35, 59
1003288.....	15	333542.....	15	340338.....	39	400262.....	27, 31
1004290.....	11, 97	337229.....	27	340375.....	43, 47, 49	400264.....	15, 27, 31, 59
1004541.....	53	337317.....	57	340377.....	41, 51	400266.....	31
132595.....	49	338647.....	75	345666.....	27	400270.....	31
132647.....	33	339896.....	43, 76, 78	345671.....	59	400272.....	15
162236.....	31	33989741, 43, 47, 49, 55, 57, 76, 77, 78, 79		352726.....	15	400276.....	29
2000012.....	21	339898.....	45, 51, 53, 77	353914.....	21	400406.....	19, 21, 69, 71
2198153.....	75	33989933, 39, 41, 47, 49, 51, 53, 76		358794.....	17, 27	400408.....	7
2501172.....	33	339900.....	37, 41	359615.....	27	400410.....	21, 31, 73
2810702.....	33	339901.....	37, 39, 41	360111.....	19, 21	400422.....	75
2811364.....	23	339903.....	37	361117.....	33	402006.....	11
2811365.....	23	339908.....	80	361439.....	61, 96	403769.....	33
2811547.....	23	33990937, 39, 41, 43, 45, 47, 49, 53, 55, 57		361451.....	21	403770.....	31
2812075.....	37	339910.....	47, 49, 53	361647.....	21	403910.....	33
3001279.....	33, 97	33991137, 39, 41, 47, 49, 51, 53		361648.....	21	403912.....	11
3001296.....	37	339912.....	39, 41	361689.....	37	403914.....	61
3002195.....	27	339913.....	37	362263.....	29, 31	404016.....	9, 11, 23, 33
3002397.....	33	339915.....	37	362743.....	31	409811.....	59
3002695.....	15	339960.....	53	362817.....	69	4110940.....	57
3003110.....	59	339961.....	43, 49, 57	363485.....	29, 31	4111408.....	5, 7
3003474.....	15	339963.....	49	363586.....	31	4113047.....	17
3003475.....	15	339972.....	43	364190.....	55	4113986.....	25, 29
3003704.....	33	339977.....	43	365033.....	23	4114532.....	92, 96
3004882.....	75	339979.....	47, 55	365398.....	27	4115706.....	47, 49, 73
3004894.....	73	339980.....	45	365948.....	73	4117468.....	5
3005156.....	75	339984.....	53	365959.....	37	4117807.....	73
3005871.....	33, 37	339985.....	47, 53	365976.....	33	4118210.....	21
3005872.....	33	339988.....	51	365979.....	29, 31	4120977.....	27
3006243.....	33	339989.....	41, 47, 49	365980.....	61	4121552.....	35
3006327.....	15	339993.....	39	365981.....	29	4121554.....	35, 37
3006332.....	33	339994.....	41	366768.....	11	4121828.....	21
3006337.....	33, 96	339996.....	39, 41	366789.....	17	4121829.....	21
3007230.....	15	339998.....	37	366870.....	17	4121986.....	21
3007609.....	9	339999.....	37	366974.....	15	4122538.....	37
3007610.....	9	340009.....	47	367028.....	59	4122840.....	61
3007764.....	73	340026.....	41, 43, 49, 55	367029.....	75	4123183.....	61, 96
3008218.....	9	340030.....	47, 49	367031.....	29	4123723.....	9
3008383.....	15	340034.....	41	367350.....	21	4123725.....	9
3008388.....	73	340039.....	37	367631.....	61	4124076.....	73
3008461.....	17	340061.....	43, 55, 57	400106.....	35	4124087.....	73
3008521.....	5, 9	340066.....	53	400108.....	35, 57	4124129.....	75
3008673.....	37	340070.....	41, 47, 49	400110.....	33	4124204.....	21
3008682.....	5, 9	340077.....	37	400112.....	9, 69	4124395.....	75
3009204.....	33	340090.....	37	400116.....	59	4124423.....	75
3009292.....	9	340096.....	47	400182.....	15	4124425.....	75
3009347.....	33	340119.....	43, 47	400184.....	9, 17, 29	4124647.....	37
3010199.....	76, 77, 78, 79	340120.....	53	400186.....	35	4124755.....	35
3010489.....	21, 63, 65	340167.....	49	40018815, 17, 19, 27, 35, 59		4125180.....	65, 69
3010651.....	23	340169.....	49	400190.....	29	4125547.....	63, 71
308089.....	11	340214.....	43, 53	400192.....	21	4125831.....	15, 96
308404.....	15			400194.....	21	4125919.....	63
309067.....	11			400198.....	63	4126447.....	63
310452.....	63, 65, 69, 71			400216.....	23	4127192.....	63, 65, 69
310711.....	29					4127480.....	63, 65, 69

INDEX

4127556.....	63, 65, 69	4134585.....	31	4139764.....	11, 97	4202340.....	51
4128084.....	27	4134586.....	31	4139787.....	73	4209701.....	29
4128977.....	39, 41	4134587.....	31	4140094.....	17	4209880.....	35, 41, 82
4129015.....	47	4134588.....	85	4140149.....	96	4211400.....	23
4129018.....	55	4134589.....	85	4140809.....	57	4212661.....	73
4129019.....	55	4134590.....	85	4141925.....	21	4212980.....	23
4129020.....	55	4134591.....	85	4142009.....	76, 96	4217900.....	35, 47
4129021.....	55	4134592.....	85	4148857.....	37	4221100.....	61, 96
4129022.....	55	4134594.....	85	4149118.....	21	4223160.....	31
4129026.....	55	4134595.....	85	4151058.....	21	4223600.....	77
4129027.....	53	4134596.....	85	4161840.....	69	4223620.....	77
4129028.....	53	4134597.....	85	4161960.....	75	4223621.....	77, 79
4129030.....	53	4134606.....	85	4163087.....	75	4223640.....	77
4129040.....	45	4134607.....	85	4163089.....	75	422530.....	63
4129069.....	35, 53, 55, 76	4134608.....	85	4163106.....	73	4229340.....	11, 97
4129071.....	77	4134609.....	85	4163124.....	73	4234620.....	61
4129251.....	31	4134610.....	85	4163125.....	73	4236021.....	21
4129595.....	47	4134612.....	85	4164381.....	5, 63, 65, 69	4237183.....	9
4129597.....	47	4134613.....	85	4167640.....	61	4238243.....	11
4129600.....	43, 47	4134614.....	85	416911.....	23	4238282.....	19
4129603.....	47	4134615.....	87	4171883.....	63	4238283.....	21
4129679.....	7	4134616.....	87	4171884.....	63	4241042.....	9
4129680.....	7	4134617.....	87	4174684.....	11, 97	4246353.....	73
4130132.....	11, 97	4134618.....	87	4176562.....	15	4247312.....	23
4130133.....	11, 96	4134619.....	87	4176580.....	15	4251124.....	73
4130303.....	53	4134620.....	87	4177720.....	27	4251126.....	73
4130360.....	7	4134621.....	87	4177740.....	27	4251127.....	73
4130388.....	53	4134622.....	87	4177901.....	27	4251128.....	73
4131849.....	63, 65, 69, 71	4134623.....	87	4179022.....	5, 63, 65, 69	4251129.....	73
4131862.....	55	4134626.....	65	4179804.....	29	4251174.....	73
4131963.....	63	4135261.....	25	4180020.....	27, 37	4251191.....	73
4131964.....	65	4136022.....	65	4181006.....	63	4251319.....	75
4131965.....	65	4136067.....	76	4181860.....	5, 63, 65, 69	4251534.....	19
4132688.....	21	4136120.....	25	4181861.....	5	4252432.....	21
4132846.....	65	4136522.....	31	4181862.....	5	4252433.....	21
4132912.....	15	4136829.....	47, 49, 73	4181864.....	5	4253491.....	23
4132913.....	9	4137099.....	25	4181865.....	5, 9	4255270.....	23
4132917.....	9	4137186.....	73	4182386.....	5	4256392.....	47, 49, 73
4133007.....	73	4137382.....	47	4182392.....	15	4256510.....	23
4133119.....	9	4137383.....	47	4182460.....	25	4256511.....	23
4133121.....	9	4137524.....	11, 97	4182500.....	25	4257474.....	5, 7
4133240.....	25	4137534.....	75	4182501.....	25	4257475.....	5, 7
4133241.....	25	4137561.....	47	4183634.....	25	4263970.....	47
4133242.....	25	4137562.....	47, 55	4183948.....	75	4265651.....	19, 39, 45
4133252.....	25	4137588.....	47	4186441.....	25	4266170.....	27, 97
4133609.....	5, 63, 65, 69	4137589.....	47	4189940.....	27	4266850.....	29, 33
4133818.....	27	4137607.....	41	4194260.....	5, 17	4267512.....	27
4133820.....	27	4137608.....	41	4194327.....	5	4267670.....	85
4133821.....	27	4137665.....	75	4196102.....	7	4268230.....	31
4134383.....	29	4137674.....	75	4197640.....	25	4268371.....	27
4134528.....	76	4137716.....	65	4197641.....	25	4269092.....	31
4134529.....	76	4138103.....	33	4198229.....	96	4269670.....	31
4134530.....	76, 77, 78, 79, 96	4138107.....	33	4201840.....	23	4269671.....	31
4134532.....	78, 96	4138359.....	7	4201920.....	51	4269676.....	31
4134575.....	63	4138381.....	7	4201921.....	51	4269871 ..	37, 43, 45, 47,
		4139450.....	96	4202120.....	51		51

INDEX

4269893.....	37	4277373.....	37	4284491.....	69	4297198.....	97
4270035.....	21, 41, 83	4277612.....	35	4284513.....	59	4297200.....	97
4270110.....	35	4277613.....	35	4285013.....	31	4297202.....	100
4270155.....	39	4278011.....	37	4285014.....	31	4297203.....	101
4270170.....	31, 49	4278498.....	69	4285113.....	29	4297204.....	101
4270174.....	15	4278510.....	49	4285702.....	78	4297217.....	97
4270175.....	35, 53, 57, 78	4278712.....	49	4285704.....	78	4297240.....	97
4270176.....	35, 49, 79	4278713.....	49	4285705.....	78	4297262.....	97
4270810.....	11, 96	4278714.....	49	4285707.....	78	4297714.....	31
4270811.....	11, 97	4278715.....	57	4285708.....	78	4297717.....	31
4270813.....	61, 97	4278716.....	57	4285709.....	78	4297892.....	91
4270816.....	11, 96	4278717.....	57	4285917.....	19	4297893.....	91
4270817.....	61, 98, 99	4278752.....	49	4286211.....	19	4297894.....	91
4270822.....	11, 97	4278831.....	65	4286672.....	35, 43, 92	4297895.....	91
4271130.....	61	4278832.....	65	4286673.....	92	4297896.....	91
4271131.....	61	4278873.....	49	4286674.....	92	4297897.....	91
4271132.....	61	4278874.....	49	4286675.....	92	4297898.....	91
4271134.....	61, 96	4278875.....	69	4286676.....	92	4297899.....	91
4271291.....	29	4278876.....	69	4286677.....	92	4297900.....	91
4271292.....	29	4279131.....	57, 67, 81	4287311.....	55	4297901.....	91, 96
4271536.....	29	4279250.....	65	4288575.....	9	4297902.....	91
4271537.....	29	4279256.....	63	4289844.....	96	4297903.....	91
4271570.....	27	4279273.....	53	4290052.....	9	4297904.....	91
4271772.....	55, 63, 65, 81	4279717.....	89	4290391... 31, 39, 84, 86		4297905.....	91
4271773.....	55, 63, 81	4279951.....	55	4290611.....	9, 88, 90	4297906.....	91
4271774.....	21, 53, 80	4280171.....	33	4291171.....	78	4297907.....	91
4272290.....	33, 96	4280212.....	33	4291172.....	7	4297908.....	91
4272297.....	17	4282072.....	79	4291711.....	7	4297909.....	91
4272393.....	17, 61	4282073.....	79	4291971.....	23, 53	4297910.....	91
4272410.....	7, 17	4282074.....	79	4292811.....	71	4297911.....	91
4272411.....	17	4282178.....	17	4292871.....	71	4297912.....	91
4272692.....	9	4282791.....	39	4292951.....	17	4297913.....	91
4272851.....	11	4282811.....	39	4293311.....	78	4297914.....	91
4273131.....	33	4282812.....	39	4294131.....	39, 41	4297915.....	91
4273990.....	37	4282831.....	39	4294132.....	41	4297916.....	91
4274170.....	19	4282832.....	43	4294171.....	29, 59	4297917.....	91
4274171.....	19	4282834.....	43	4294172.....	41	4297918.....	91
4274172.....	19	4282835.....	43	4294173.....	41	4297919.....	91
4274173.....	19	4282836.....	43	4294293.....	41	4297920.....	89
4274174.....	19	4282837.....	43	4294294.....	41	4297921.....	89
4274175.....	19	4282839.....	45	4294295.....	29, 59	4297922.....	89
4274176.....	19	4283119.....	27	4294518.....	5, 17	4297923.....	89
4274177.....	19	4283269.....	11, 96	4294851.....	71	4297924.....	89
4274292.....	11	4283491.....	5, 7	4296055.....	61	4297925.....	89
4274698.....	7	4283492.....	49	4297045.....	71	4297926.....	89
4275350.....	83	4283495.....	49	4297117.....	97	4297927.....	89
4275370.....	53	4283496.....	49	4297126.....	33	4297928.....	89
4275371.....	53	4283500.....	39, 41	4297128.....	97	4297929.....	89
4275810.....	37, 39, 47, 53	4283502.....	19, 51	4297129.....	97	4297930.....	89
4276057.....	53, 59	4283652.....	11	4297130.....	97	4297931.....	89
4276833... 55, 57, 63, 65, 67,	81	4283653.....	11	4297132.....	97	4297932.....	89
4276851.....	21, 53, 80	4283654.....	11	4297133.....	33	4297934.....	89
4277011.....	39, 41	4283955.....	11	4297158.....	97	4297935.....	89
4277151.....	13, 97	4284471.....	75	4297183.....	97	4297936.....	89
4277333.....	7	4284472.....	75	4297196.....	96	4297937.....	9, 89, 96
		4284473.....	75	4297197.....	97	4297938.....	89

INDEX

4297939.....	89	446130.....	7, 27, 35	5002157.....	76, 78
4297940.....	89	446134.....	17	5002912.....	77, 79
4297941.....	89	446136 15, 19, 21, 25, 35		5002913.....	79
4297942.....	89	446140.....	27, 31, 35, 69	5002918.....	23
4298793.....	7	446142.....	9, 29, 31, 73	5002919.....	23
4299171.....	31	44615417, 19, 21, 29, 31,		5002952.....	5, 17
4299356.....	69	61	5003034.....	85, 87
4299391.....	31	446160.....	29	5003278.....	61, 96
4301491.....	57	446164.....	73	5003280.....	61, 96
4302131....	17, 29, 53, 57	447224.....	23	5003282.....	61, 96
4302133.....	17	450168.....	23	5003283.....	61, 96
4302171.....	29	450190.....	25	5003373.....	27
4302278.....	53	450213.....	61	5003374.....	33
4302993.....	49	450390.....	23	5003384.....	83
4303557.....	11	450410.....	23	5003385.....	83
4303684.....	31	450411.....	23, 31	5003433.....	85
434004.....	75	450413.....	75	5003434.....	85
440042.....	15	450451.....	11	5003554.....	77, 79
440078.....	9	450699.....	11	5003578.....	76, 92
440124.....	73	451030730.....	69	5003579...51, 76, 77, 79,	
441602.....	9, 17, 59	452002.....	67	92	
441614.....	23	452004.....	15, 25	500534.....	73, 75
441616.....	19	452006.....	17, 27	521117.....	11
441624.....	17, 35	452008.....	15, 27	523126.....	19
441668.....	61	452010.....	7, 73, 75	548804..9, 23, 31, 33, 59	
441677.....	23	452012.....	11	548911.....	59
443102.....	7, 15	452016.....	17, 69	550863.....	27
443106.....	19, 21	452022.....	17	554018.....	97
443110.....	29, 73	452380.....	29	554748.....	33
443112.....	15	452411.....	75	554779.....	21, 83
443118.....	31	452415.....	75	554780.....	21, 83
443126.....	73	452418.....	23	555771.....	35
443128.....	17, 67	452438.....	75	556419.....	35, 96
443828.....	23	453009.....	19, 35	556858.....	92
443840.....	17	453010.....	31, 67	557367.....	27
444302.....	15	453011.....	31, 35, 61, 73	557374.....	27
444310.....	11	453013.....	29	557523.....	73
444708.....	9, 57, 59, 69	453017..7, 29, 61, 69, 71		557620.....	9, 17
444718.....	15, 21, 27, 63	453023.....	7, 9, 27, 35	557844.....	5, 17
444752.....	69	454025.....	67	64123-118.....	73
444758.....	7, 69, 71, 75	460026.....	21	64205-054.....	23
444762.....	31	460028.....	21	64209-08.....	11
445245.....	9, 23	460032.....	21	64251-001.....	69
445640.....	7	460064.....	17	800017.....	7
445762.....	21	460068.....	69	800026.....	7
445781.....	17, 19, 35, 59	461393.....	21	800385.....	9
445783.....	73	471214.....	15, 21, 75	800440.....	15
445789.....	69	471221.....	63, 75	800497.....	11
445794.....	33, 61	471227.....	17	800602.....	11
445795..	9, 15, 23, 27, 29	472205.....	27	800709.....	33
445796.....	15, 17, 27, 35	473142.....	33, 51, 53, 57	800714.....	33
446102.....	15	48540-01.....	27, 33	800794.....	7
446106.....	11	5000049.....	77	800907.....	7
446116.....	11	5000465.....	17	845027.....	5, 17
446118.....	33	5000938.....	97	PJH1054.....	73
446128.....	9, 15	5001183.....	61		

INDEX

World Class Quality, Performance And Support

Equipment from Jacobsen is built to exacting standards ensured by ISO 9001 and ISO 14001 registration at all of our manufacturing locations.

A worldwide dealer network and factory trained technicians backed by Genuine Jacobsen Parts provide reliable, high-quality product support.



When Performance Matters.™

CUSHMAN JACOBSEN RANSOMES