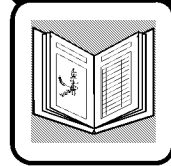


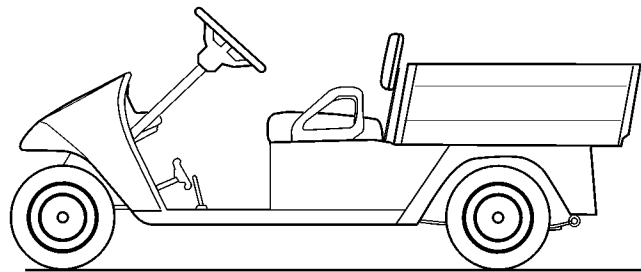
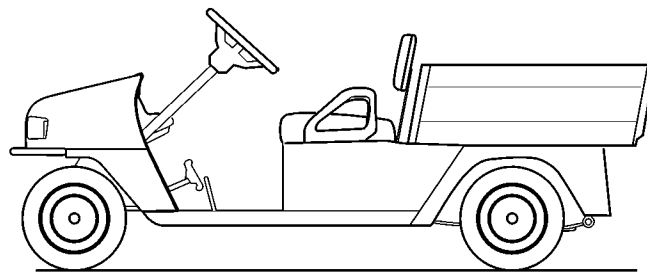
28558-G01



a **TEXTRON** Company



SERVICE PARTS MANUAL



ELECTRIC POWERED UTILITY VEHICLE (1000 SERIES)

MODEL YEARS: 1999 - 2000

REVISED: 10/2000

SERVICE PARTS MANUAL

ELECTRIC POWERED UTILITY VEHICLE

VEHICLES

WORKHORSE[®] 1000

WORKHORSE[®] 1000 LX

E-Z-GO Division of Textron reserves the right to make design changes without obligation to make these changes on units previously sold and the information contained in this manual is subject to change without notice.

E-Z-GO Division of Textron is not liable for errors in this manual or for incidental or consequential damage that result from the use of material in

SERVICE PARTS DEPARTMENT INSIDE USA PHONE 1-800-227-7029 FAX 1-800-752-6175

OUTSIDE USA PHONE 010-1-706-798-4311 FAX 010-1-706-771-4601



LIMITED WARRANTY

WARRANTY

To obtain a copy of the limited warranty that is applicable to your vehicle, call or write your local Distributor, Branch or the E-Z-GO Warranty Department.

The use of non E-Z-GO parts and hardware may void your warranty.

Overfilling of batteries may void your vehicle warranty.

GENERAL INDEX

| SECTION | Page No. |
|---|----------|
| How to use the E-Z-GO Service Parts Manual | vii |
| ILLUSTRATED PARTS BREAKDOWN: | |
| ACCELERATOR | |
| • Pedal Box Assembly, Accelerator Pedal | A-1 |
| BATTERY CHARGER | |
| • PowerWise™ Battery Charger (Portable) | B-1 |
| • PowerWise™ Battery Charger (On Board) | B-9 |
| • Lester Battery Charger (Portable) | B-17 |
| BODY | |
| • (WorkHorse® 1000) Cowl, Front Shield, Dash Panel, Floor Boards, Ash Tray | C-1 |
| • Seat Frame, Battery Frame, Splash Panels | C-2 |
| • Floormat, Seat Wrap, Side Panels, Side Panel Decals, Rocker Panels | C-3 |
| • Seat Filler Panels, Rear Fenders, Rear Panel, Front Bumper | C-4 |
| • Ball Hitch, Clevis Hitch | C-5 |
| • (WorkHorse® 1000 LX) Cowl, Front Fenders, Front Shield, Dash Panel, Glove Box Doors | C-6 |
| • (WorkHorse® 1000 LX) Bumper, Side Panel Decals | C-7 |
| BRAKES | |
| • Brake Pedal (with brake lights) | D-1 |
| • Brake Pedal (without brake lights) | D-2 |
| • Brake Linkage | D-3 |
| • Wheel Brake | D-4 |
| CAB | |
| • Cab | E-1 |
| • Cab Mounts, Windshield Wiper | E-2 |
| • Steel Doors, Vinyl Doors, Strobe Light | E-3 |
| • Control Panel, Defroster/Cooling Fan, Worklight | E-4 |
| DIRECTION SELECTOR | |
| • Direction Selector, Reverse Warning Buzzer | F-1 |
| ELECTRIC MOTOR | |
| • Electric Motor | G-1 |

GENERAL INDEX

| SECTION | Page No. |
|---|----------|
| ELECTRICAL SYSTEM | |
| • Batteries..... | H-1 |
| • Charger Receptacle, Fuse Blocks | H-2 |
| • Ignition Switch, State of Charge Meter, Horn..... | H-3 |
| • Headlight..... | H-4 |
| • Brake Pedal and Taillight Connections | H-5 |
| • Turn Signal, Hour Meter..... | H-6 |
| • Worklights, Strobe Light..... | H-7 |
| • (WorkHorse® 1000 LX) Headlights, Turn Signal | H-8 |
| ELECTRONIC SPEED CONTROL | |
| • Electronic Speed Control and Wiring, Solenoid and Wiring..... | J-1 |
| FRONT SUSPENSION | |
| • Front Axle, Spindle, Wheel Hub, Shock Absorber, Spring..... | K-1 |
| REAR AXLE | |
| • Rear Axle, Differential Cover, Drain Plug, Vent, Differential Guard | L-1 |
| REAR SUSPENSION | |
| • Leaf Spring, Shock Absorber..... | M-1 |
| SEATS | |
| • Seat Back, Seat Bottom, Hip Restraint..... | N-1 |
| STEERING | |
| • Steering Box, Steering Shaft/Column/Wheel, Tie Rods..... | P-1 |
| TRUCKBED | |
| • Manual Dump Bed, Bed Pivot, Tailgate, Decals | Q-1 |
| • Tilt Latch, Bed Prop | Q-2 |
| • Bed Liner, Ramp..... | Q-3 |
| • Electric Dump Bed, Bed Pivot, Tailgate, Decals | Q-9 |
| • Actuator, Battery Connections, Toggle Switch | Q-10 |
| • Bed Liner, Ramp..... | Q-11 |
| • Flat Bed, Bed Pivot..... | Q-17 |
| • Tilt Latch, Bed Prop | Q-18 |
| • Cargo Racks | Q-19 |

GENERAL INDEX

| SECTION | Page No. |
|---|--------------|
| WEATHER PROTECTION | |
| • Sun Top..... | R-1 |
| • Inside Mirror, 3-Sided Soft Enclosure | R-2 |
| • Windshields | R-3 |
| WHEELS AND TIRES | |
| • Tire and Wheel Assembly, Wheel, Valve Stem..... | S-1 |
| • Wheel Covers | S-2 |
| SPECIALTY PRODUCTS | Appendix - A |
| • Special Tools | |
| • Paint | |
| • Performance Products | |
| ACCESSORIES | Appendix - B |
| • Accessories Listing | |

HOW TO USE THE E-Z-GO SERVICE PARTS MANUAL

This manual is divided into several sections:

- GENERAL INFORMATION
- ILLUSTRATED PARTS BREAKDOWN
- APPENDIX

The first section, GENERAL INFORMATION, contains the following information:

- WARRANTY INFORMATION
- GENERAL INDEX
- HOW TO USE THE E-Z-GO SERVICE PARTS MANUAL

The second section, ILLUSTRATED PARTS BREAKDOWN, contains illustrations and parts lists for all systems of your vehicle.

The third section, APPENDIX, contains a listing of specialty products and accessories.

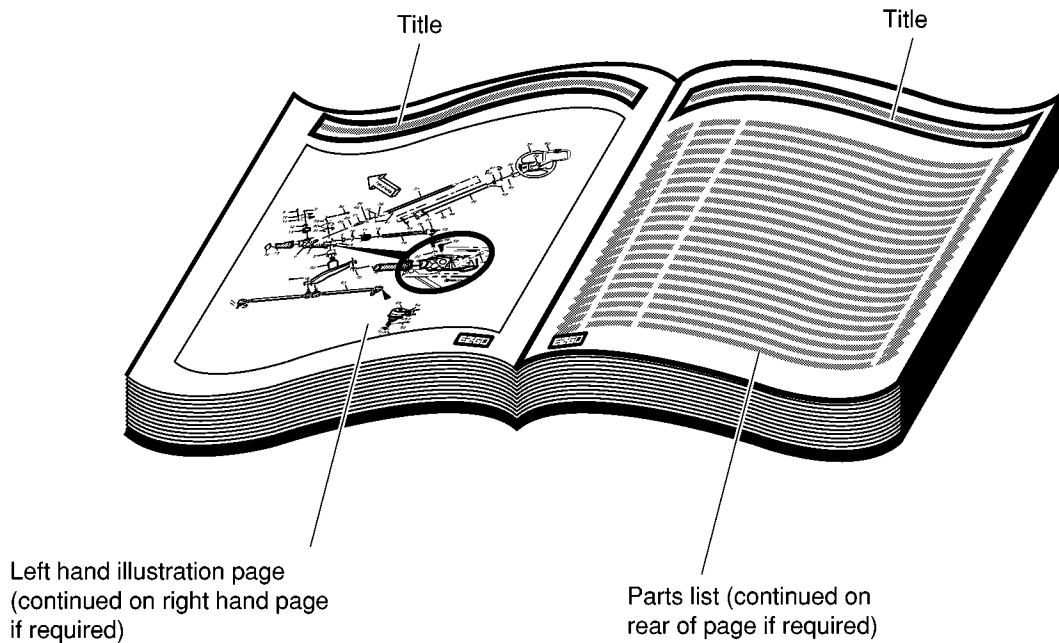
USE OF THE MANUAL

To use this manual, consult the GENERAL INDEX to locate the information or illustration required.

Introduction of some revisions varies due to supply of components; therefore, it is possible that various combinations of components may be found that are not directly reflected by each illustration. Consult the illustration that best suits your situation and then contact the Service Parts Department. It is important that the serial number of your vehicle and its model number be supplied to Service Parts when ordering any replacement components.

Locate the serial number plate (see BODY located in the Illustrated Parts Breakdown section of this manual for its location) and note the complete number shown on the plate.

HOW TO USE THE E-Z-GO SERVICE PARTS MANUAL



1. WHEN THE PART NUMBER IS NOT KNOWN

- Determine the function and application of the part required. Turn to the General Index and select the most appropriate title.
- Turn to the page number indicated and locate the desired part on the illustration.
- From the illustration, obtain the item number assigned to the desired part. Refer to the accompanying description for specific information regarding the part.

2. IF YOU KNOW THE PART NUMBER

- Locate the part number or description in the appropriate column on the parts list page.

NOTE: It is suggested that you confirm that the part selected is correct by verifying it with the pictorial representation on the illustrated page.

Should an asterisk (*) appear in the part number column on the parts list page, read upwards until a part number is found. The part number is the lowest assembly sold by E-Z-GO and the asterisk (*) indicates that the part depicted is not available for sale by E-Z-GO.

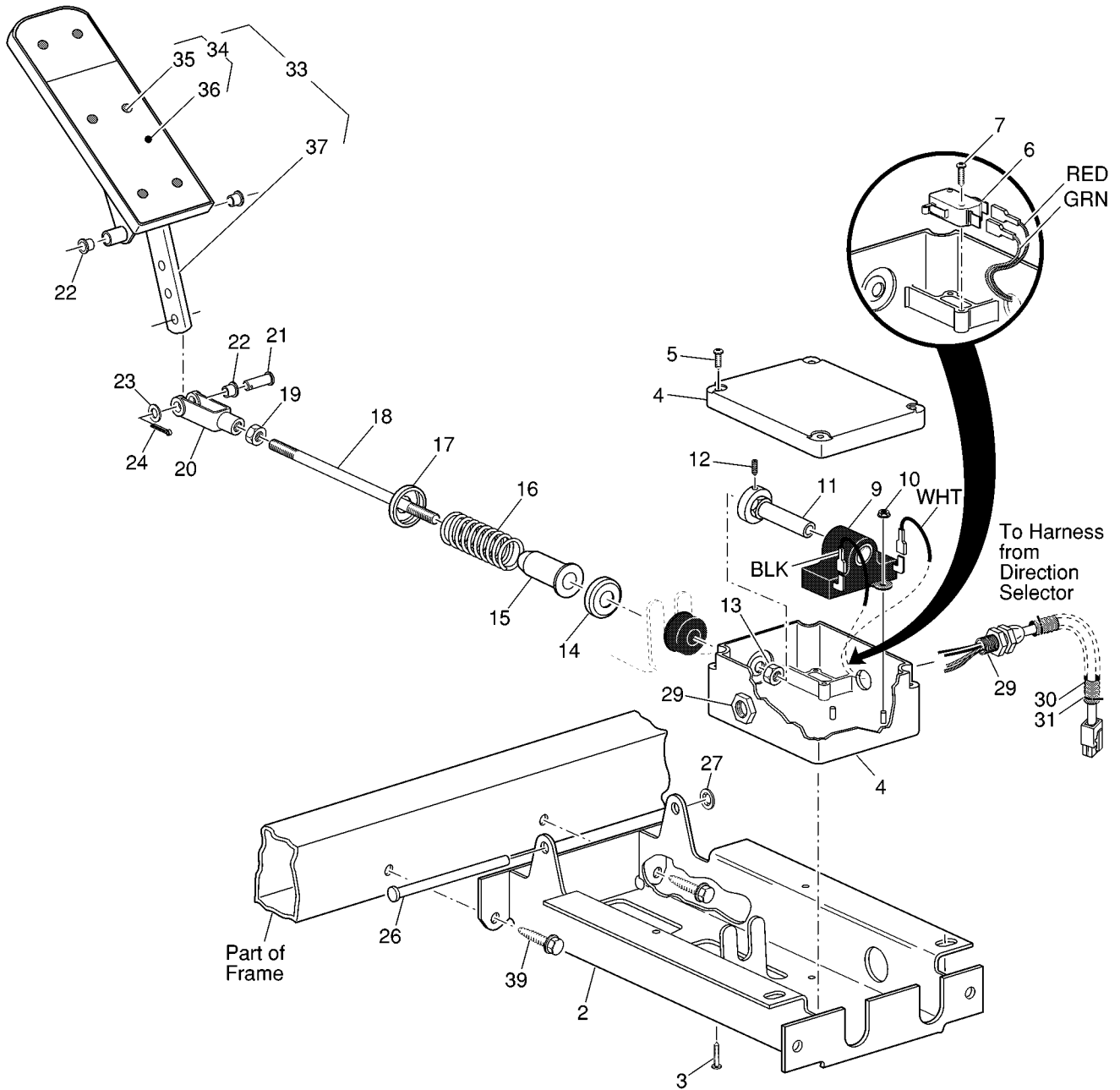
NOTE: Descriptions are indented under the assembly that they are used on. That assembly is, in turn listed under the assembly that it is used on. This process is repeated until the highest final assembly is reached.

To facilitate the maintenance and repair of the vehicle, a Technician's Repair and Service Manual is available from the E-Z-GO Service Parts Department.

ILLUSTRATED PARTS BREAKDOWN

ILLUSTRATED PARTS BREAKDOWN

1 - Includes Items 2 - 37



THE USE OF NON UL PARTS WILL VOID ANY UL LISTING.

When ordering parts, please specify the model and serial number of the product.

* Indicates a component that is not available as an individual part.

G** Indicates consult Customer Service Department for additional information.

| ITEM | PART NO. | 1 2 3 4 5 | DESCRIPTION | QTY. |
|------|-----------|-----------|---|------|
| 1 | 25870-G03 | | PEDAL BOX ASSEMBLY (INCLUDES ITEMS 2 - 37)..... | 1 |
| 2 | 70116-G01 | | ACCELERATOR PEDAL BRACKET | 1 |
| 3 | 00984-G01 | | SCREW, #8 - 10 X 1/2" LG..... | 4 |
| 4 | 25853-G01 | | PEDAL BOX AND COVER..... | 1 |
| 5 | 00684-G6 | | SCREW, #8 - 32 X 3/4" LG..... | 4 |
| 6 | 25861-G01 | | MICRO SWITCH..... | 1 |
| 7 | 00982-G01 | | SCREW, #4 - 14 X 5/8" LG..... | 2 |
| 8 | | | | |
| 9 | 25854-G01 | | INDUCTIVE THROTTLE SENSOR | 1 |
| 10 | 00983-G01 | | SELF THREADING NUT, 3/16" | 2 |
| 11 | 26551-G01 | | PLUNGER | 1 |
| 12 | 00486-G2 | | SETSCREW, #8 - 32 X 1/8" LG..... | 1 |
| 13 | 00550-G2 | | LOCK NUT, 1/4 - 28..... | 1 |
| 14 | 17677-G1 | | SPRING RETAINER, 1/2"..... | 1 |
| 15 | 17979-G1 | | BUSHING | 1 |
| 16 | 73046-G01 | | COMPRESSION SPRING | 1 |
| 17 | 17677-G2 | | SPRING RETAINER, 3/8" | 1 |
| 18 | 25859-G01 | | ACCELERATOR ROD | 1 |
| 19 | 00532-G4 | | LOCK NUT, 5/16 - 24..... | 1 |
| 20 | 10385-G4 | | CLEVIS YOKE (ADJUSTABLE)..... | 1 |
| 21 | 10386-G3 | | CLEVIS PIN, 5/16" X 1" LG | 1 |
| 22 | 17838-G1 | | NYLON BUSHING..... | 3 |
| 23 | 17255-G1 | | TEFLON WASHER, 5/16"..... | 1 |
| 24 | 10387-G3 | | COTTER PIN, 3/32" X 3/4" LG | 1 |
| 25 | | | | |
| 26 | 70134-G01 | | PEDAL PIVOT PIN | 1 |
| 27 | 00986-G01 | | PUSH NUT, 9/32" | 1 |
| 28 | | | | |
| 29 | 25879-G03 | | WIRING HARNESS (PEDAL BOX ASSEMBLY)..... | 1 |
| 30 | 17313-G1 | | LOOM FLEX, 3/8" X 6" LG (BULK)..... | 1 |

THE USE OF NON UL PARTS WILL VOID ANY UL LISTING.

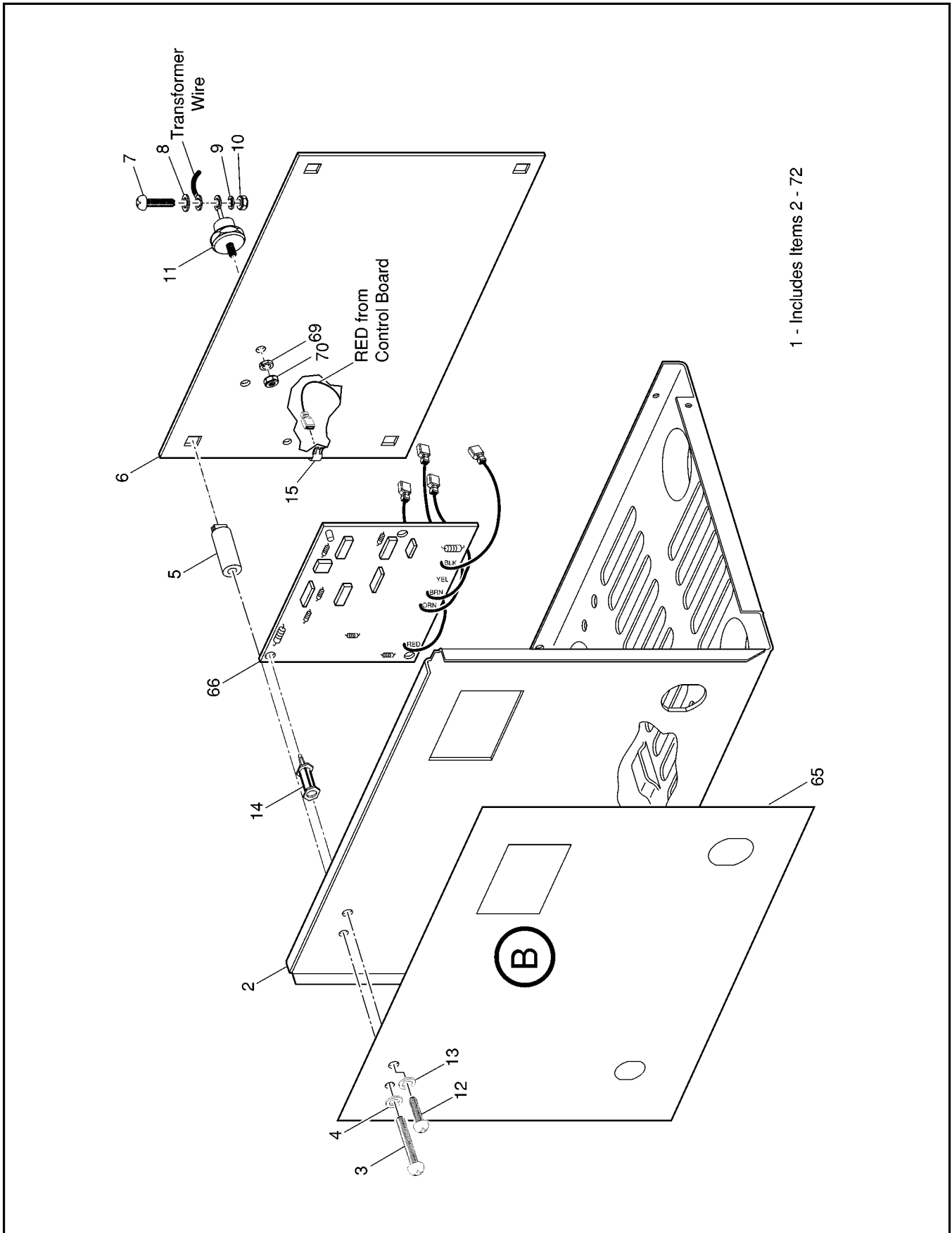
When ordering parts, please specify the model and serial number of the product.

* Indicates a component that is not available as an individual part.

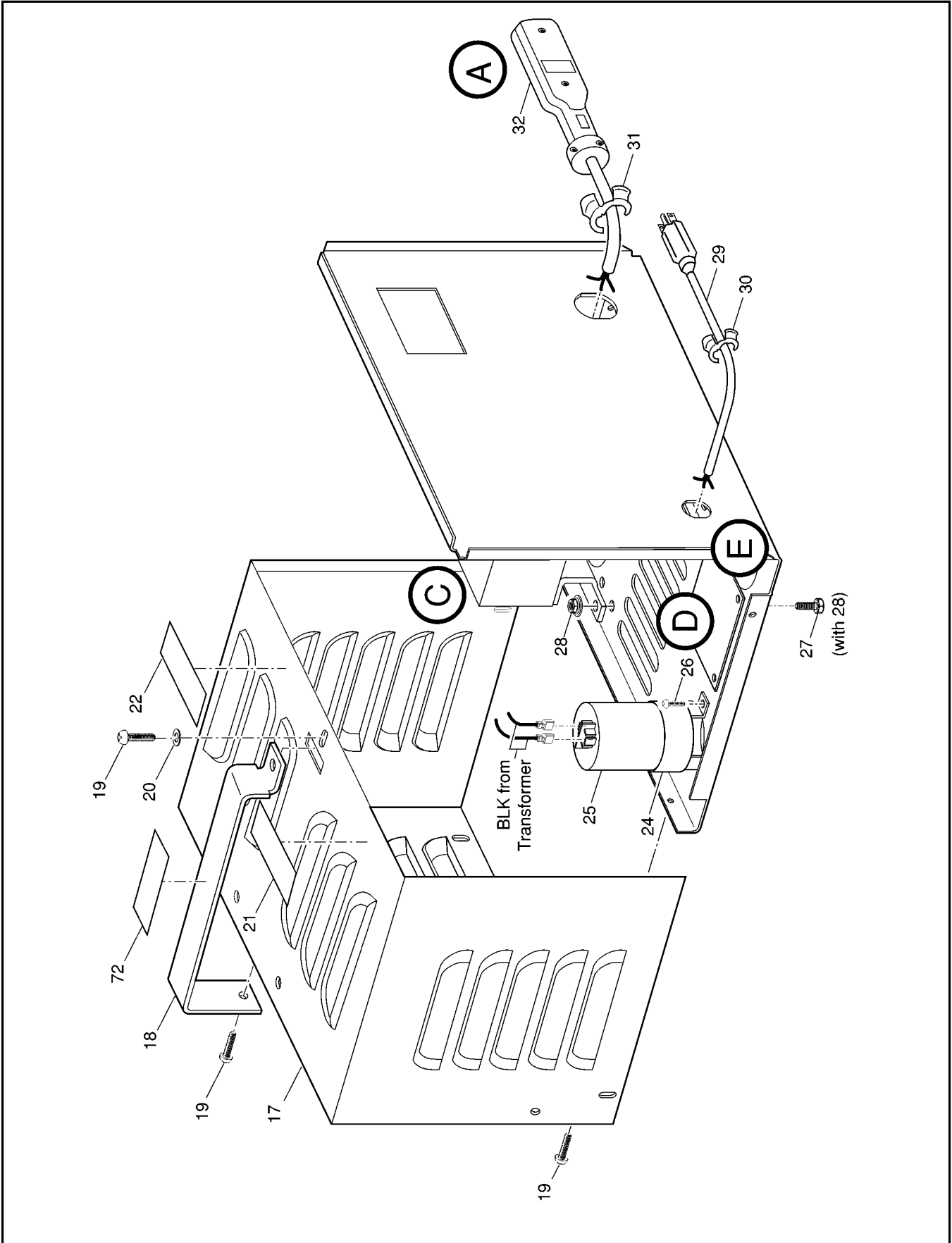
G** Indicates consult Customer Service Department for additional information.

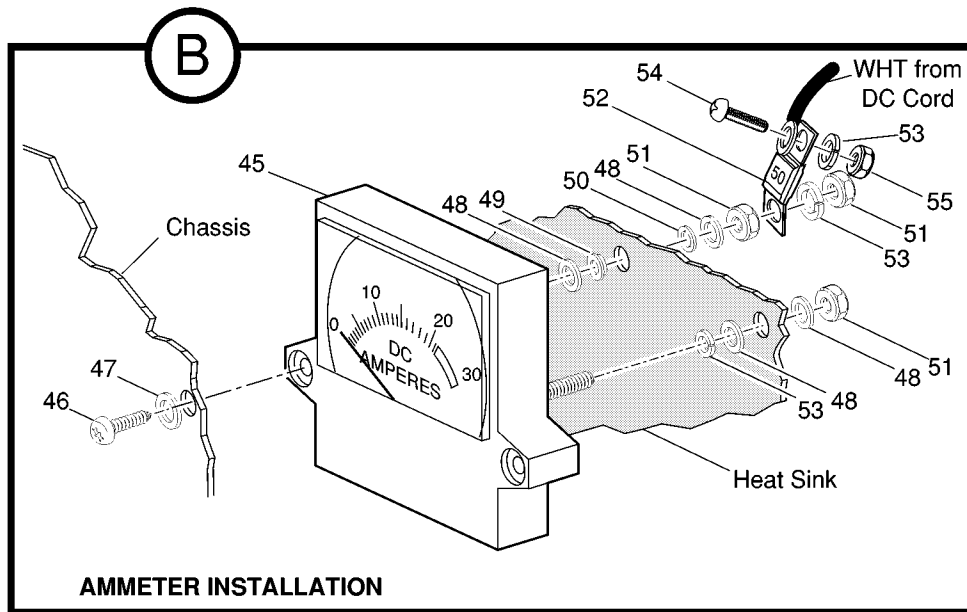
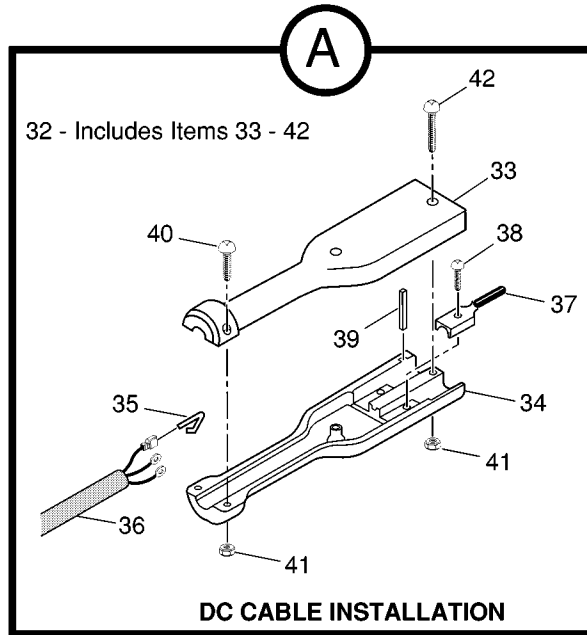
| ITEM | PART NO. | 1 | 2 | 3 | 4 | 5 | DESCRIPTION | QTY. |
|------|-----------|---|---|---|---|---|--|------|
| 31 | 17618-G1 | | | | | | WIRE TIE | 2 |
| 32 | | | | | | | | |
| 33 | 25799-G01 | | | | | | ACCELERATOR PEDAL ASSEMBLY (INCLUDES ITEMS 34 - 37)..... | 1 |
| 34 | 27844-G01 | | | | | | ACCELERATOR PEDAL PAD KIT (INCLUDES ITEMS 35 - 36)..... | 1 |
| 35 | 15766-G1 | | | | | | OVAL RIVET, 3/16" X 3/8" LG..... | 6 |
| 36 | 27512-G01 | | | | | | ACCELERATOR PEDAL PAD | 1 |
| 37 | * | | | | | | ACCELERATOR PEDAL | 1 |
| 38 | | | | | | | | |
| 39 | 00715-G2 | | | | | | BOLT, 5/16 - 18 X 13/16" LG | 4 |

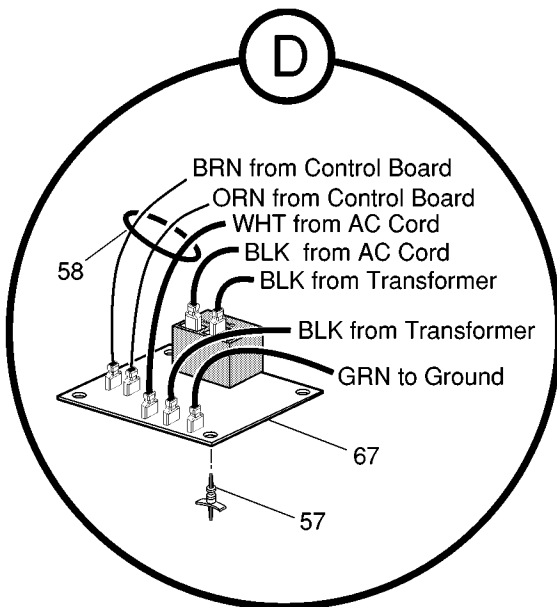
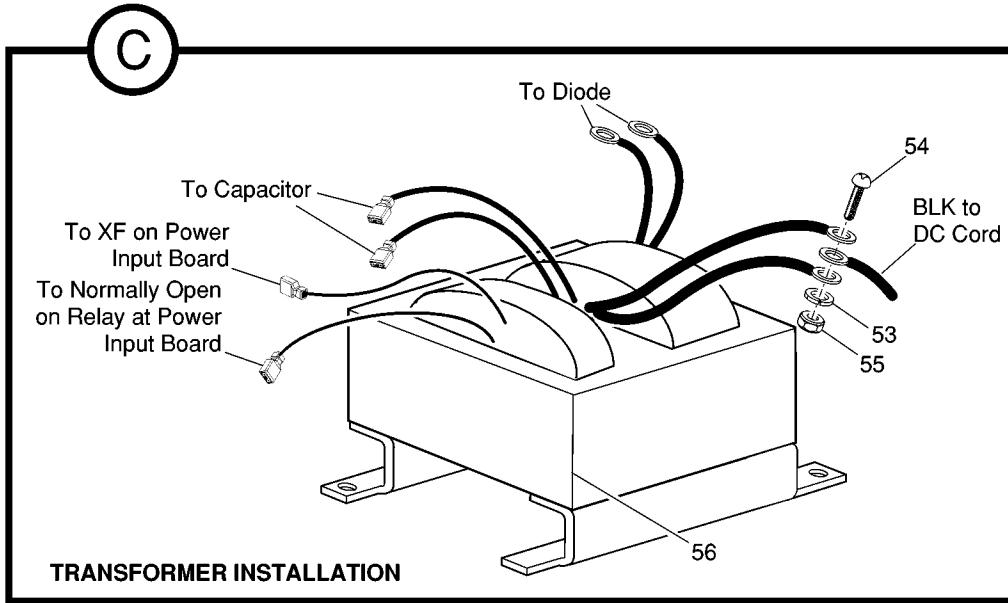




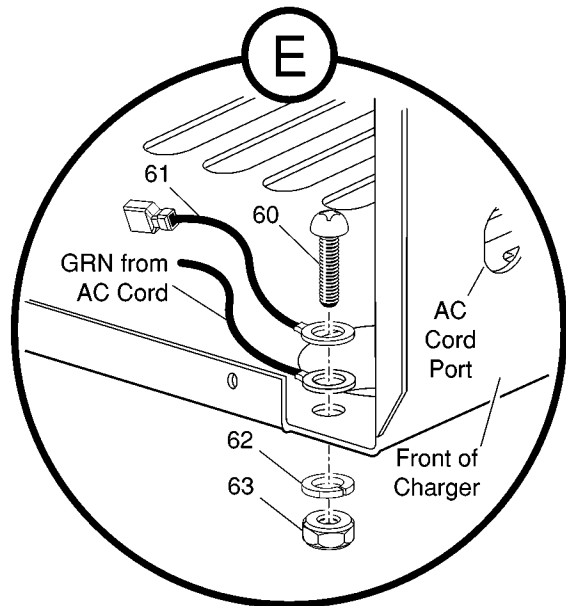
1 - Includes Items 2 - 72







POWER INPUT BOARD INSTALLATION



GROUNDING DETAIL

BATTERY CHARGER**Electric Vehicle**

THE USE OF NON UL PARTS WILL VOID ANY UL LISTING.

When ordering parts, please specify the model and serial number of the product.

* Indicates a component that is not available as an individual part.

G** Indicates consult Customer Service Department for additional information.

| ITEM | PART NO. | 1 2 3 4 5 | DESCRIPTION | QTY. |
|------|-----------|-----------|--|------|
| 1 | 28115-G04 | | POWERWISE™ CHARGER (INCLUDES ITEMS 2 - 72) | 1 |
| 2 | * | | CHASSIS | 1 |
| 3 | 00513-G6 | | SCREW, #8 - 18 X 1 3/4" LG. | 2 |
| 4 | 00559-G4 | | WASHER, #8 | 2 |
| 5 | 11572-G3 | | EXPANSION NUT | 2 |
| 6 | 28104-G01 | | HEAT SINK | 1 |
| 7 | 00138-G3 | | SCREW, #6 - 32 X 3/8" LG. | 2 |
| 8 | 00559-G3 | | WASHER, #6 | 2 |
| 9 | 00567-G3 | | LOCK WASHER, #6 | 2 |
| 10 | 00525-G5 | | NUT, #6 - 32..... | 2 |
| 11 | 18488-G1 | | DIODE..... | 2 |
| 12 | 01005-G01 | | SCREW, #6 - 19 X 5/16" LG. | 3 |
| 13 | 00559-G3 | | WASHER, #6 | 3 |
| 14 | 28111-G01 | | SUPPORT SPACER | 3 |
| 15 | 28110-G01 | | ELECTRICAL CLIP | 1 |
| 16 | | | | |
| 17 | * | | COVER | 1 |
| 18 | 28102-G01 | | HANDLE | 1 |
| 19 | 00614-G4 | | SCREW, #8 - 18 X 1/2" LG. | 6 |
| 20 | 00559-G4 | | WASHER, #8 | 1 |
| 21 | 28136-G01 | | LABEL (VENTILATION) | 1 |
| 22 | 28136-G02 | | LABEL (DC CORD CONDITION) | 1 |
| 23 | | | | |
| 24 | 26979-G01 | | CAPACITOR BRACKET | 1 |
| 25 | 28109-G01 | | CAPACITOR | 1 |
| 26 | 00969-G01 | | SCREW, #8 - 32 X 3/8" LG. | 3 |
| 27 | 00414-G5 | | BOLT, 1/4 - 20 X 5/8" LG..... | 3 |
| 28 | 11027-G2 | | LOCK NUT, 1/4 - 20..... | 3 |
| 29 | 19388-G4 | | AC CORD | 1 |
| 30 | 13557-G2 | | STRAIN RELIEF (AC)..... | 1 |

THE USE OF NON UL PARTS WILL VOID ANY UL LISTING.

When ordering parts, please specify the model and serial number of the product.

* Indicates a component that is not available as an individual part.

G** Indicates consult Customer Service Department for additional information.

| ITEM | PART NO. | 1 | 2 | 3 | 4 | 5 | DESCRIPTION | QTY. |
|------|-----------|---|---|---|---|---|---|------|
| 31 | 13557-G3 | | | | | | STRAIN RELIEF (DC) | 1 |
| 32 | 28137-G01 | | | | | | DC CORD AND HANDLE ASSEMBLY (INCLUDES ITEMS 33 - 42)..... | 1 |
| 33 | 73051-G11 | | | | | | PLUG (TOP HALF)..... | 1 |
| 34 | 73051-G12 | | | | | | PLUG (BOTTOM HALF)..... | 1 |
| 35 | 73051-G27 | | | | | | AUXILIARY CONTACT | 1 |
| 36 | 28114-G01 | | | | | | DC CORD | 1 |
| 37 | 73051-G14 | | | | | | MALE PIN | 2 |
| 38 | 73051-G08 | | | | | | SCREW, #10 - 32 X 1/2" LG (BRASS)..... | 2 |
| 39 | 73051-G15 | | | | | | MAGNET | 1 |
| 40 | 73051-G16 | | | | | | SCREW, #6 - 32 X 1/2" LG (STAINLESS STEEL) | 2 |
| 41 | 73051-G10 | | | | | | LOCK NUT, #6 - 32 | 4 |
| 42 | 73051-G17 | | | | | | SCREW, #6 - 32 X 1" LG (STAINLESS STEEL) | 2 |
| 43 | | | | | | | | |
| 44 | | | | | | | | |
| 45 | 28105-G01 | | | | | | AMMETER..... | 1 |
| 46 | 00984-G01 | | | | | | SCREW, #8 - 10 X 1/2" LG..... | 2 |
| 47 | 00559-G4 | | | | | | WASHER, #8 | 2 |
| 48 | 01003-G01 | | | | | | BRASS WASHER, #10 | 4 |
| 49 | 22589-G2 | | | | | | SHOULDER WASHER, #10 | 1 |
| 50 | 00771-G6 | | | | | | NYLON WASHER, #10..... | 1 |
| 51 | 00528-G4 | | | | | | NUT, #10 - 32..... | 3 |
| 52 | 28106-G01 | | | | | | 50 AMP FUSE | 1 |
| 53 | 00565-G5 | | | | | | LOCK WASHER, #10 | 4 |
| 54 | 00378-G4 | | | | | | SCREW, #10 - 24 X 1/2" LG..... | 2 |
| 55 | 00526-G3 | | | | | | NUT, #10 - 24..... | 2 |
| 56 | 28103-G01 | | | | | | TRANSFORMER..... | 1 |
| 57 | 27877-G01 | | | | | | SPACER SUPPORT | 4 |
| 58 | 17618-G1 | | | | | | WIRE TIE..... | 2 |
| 59 | | | | | | | | |
| 60 | 00372-G3 | | | | | | SCREW, #8 - 32 X 3/8" LG..... | 1 |



BATTERY CHARGER

Electric Vehicle

THE USE OF NON UL PARTS WILL VOID ANY UL LISTING.

When ordering parts, please specify the model and serial number of the product.

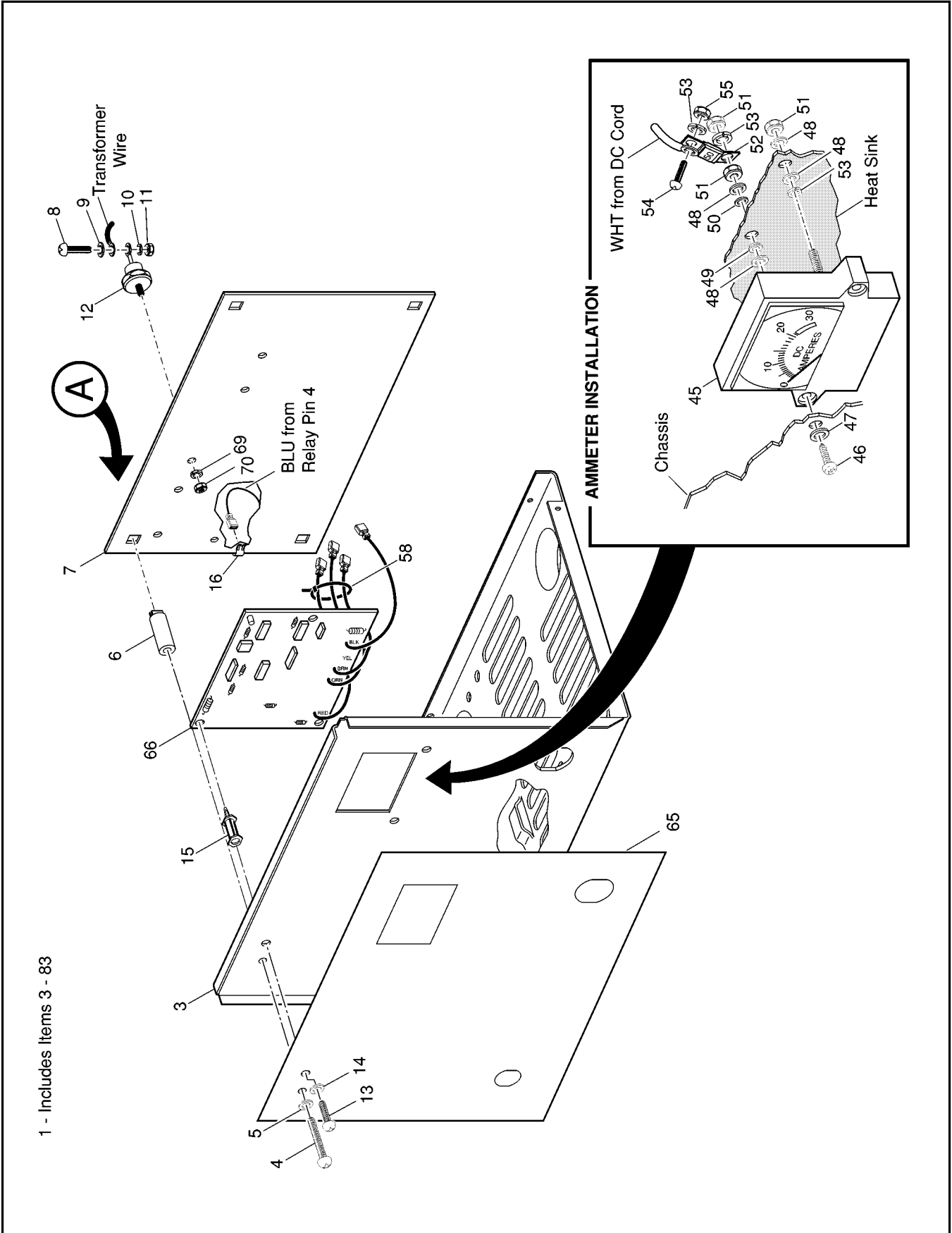
* Indicates a component that is not available as an individual part.

G** Indicates consult Customer Service Department for additional information.

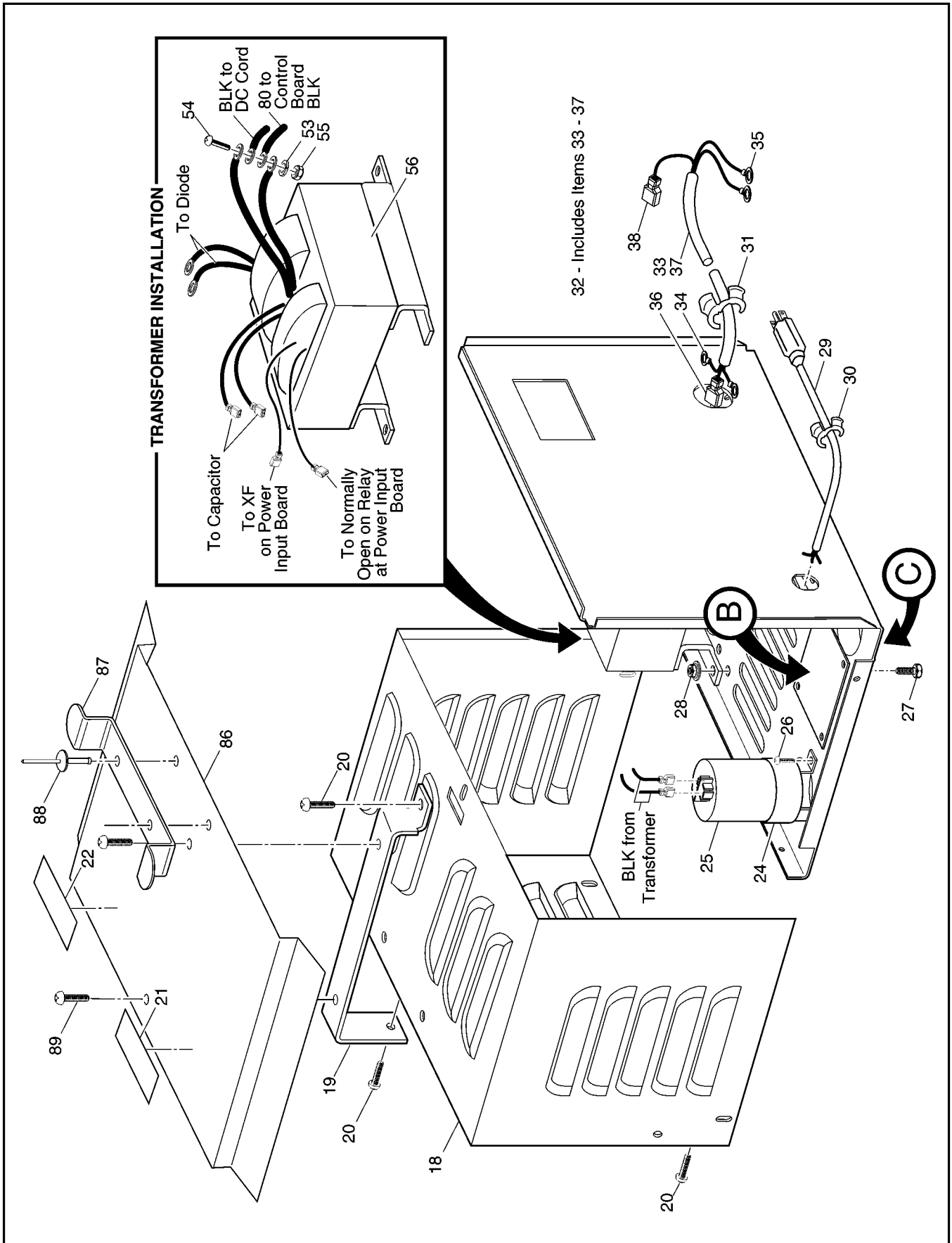
| ITEM | PART NO. | 1 | 2 | 3 | 4 | 5 | DESCRIPTION | QTY. |
|------|-----------|---|---|---|---|---|--------------------------------------|------|
| 61 | 25977-G32 | | | | | | 16 GA WIRE (GREEN 4" LG) | 1 |
| 62 | 00565-G4 | | | | | | LOCK WASHER, #8 | 1 |
| 63 | 00526-G1 | | | | | | NUT, #8 - 32..... | 1 |
| 64 | | | | | | | | |
| 65 | * | | | | | | LABEL (POWERWISE™) | 1 |
| 66 | 28126-G01 | | | | | | CONTROL BOARD (POWERWISE™)..... | 1 |
| 67 | 28126-G03 | | | | | | POWER INPUT BOARD (POWERWISE™) | 1 |
| 68 | | | | | | | | |
| 69 | 00565-G7 | | | | | | LOCK WASHER, 1/4" | 2 |
| 70 | 00532-G2 | | | | | | NUT, 1/4 - 28..... | 2 |
| 71 | | | | | | | | |
| 72 | 71785-G01 | | | | | | LABEL (REMOVE BATTERY) | 1 |



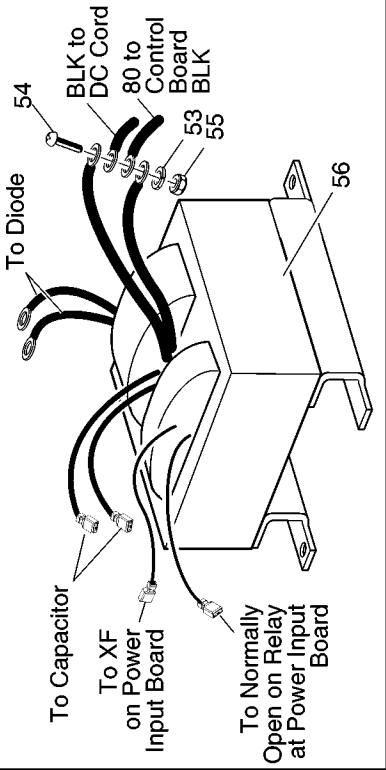




1 - Includes Items 3 - 83

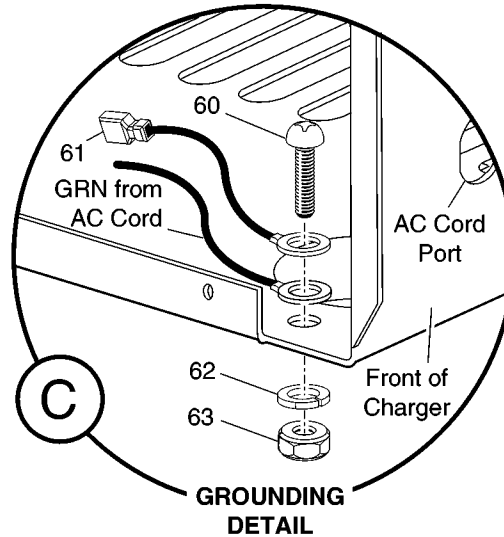
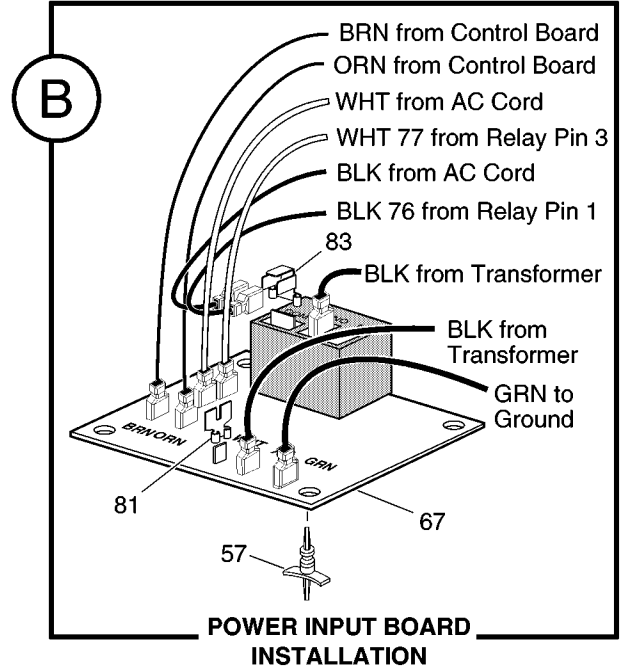
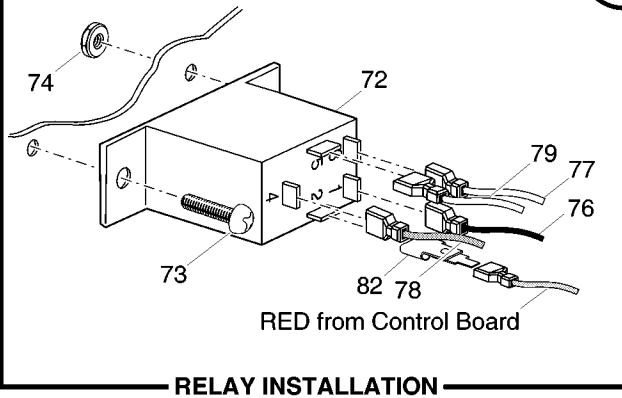


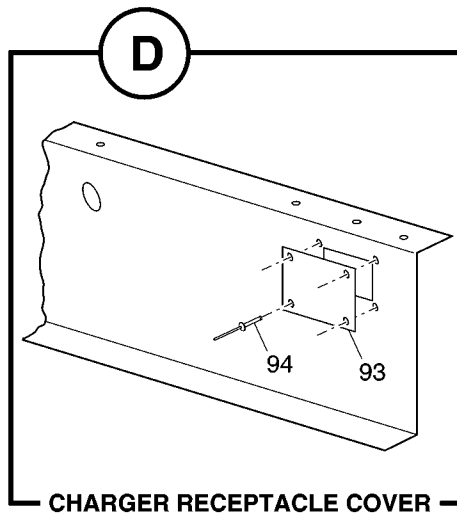
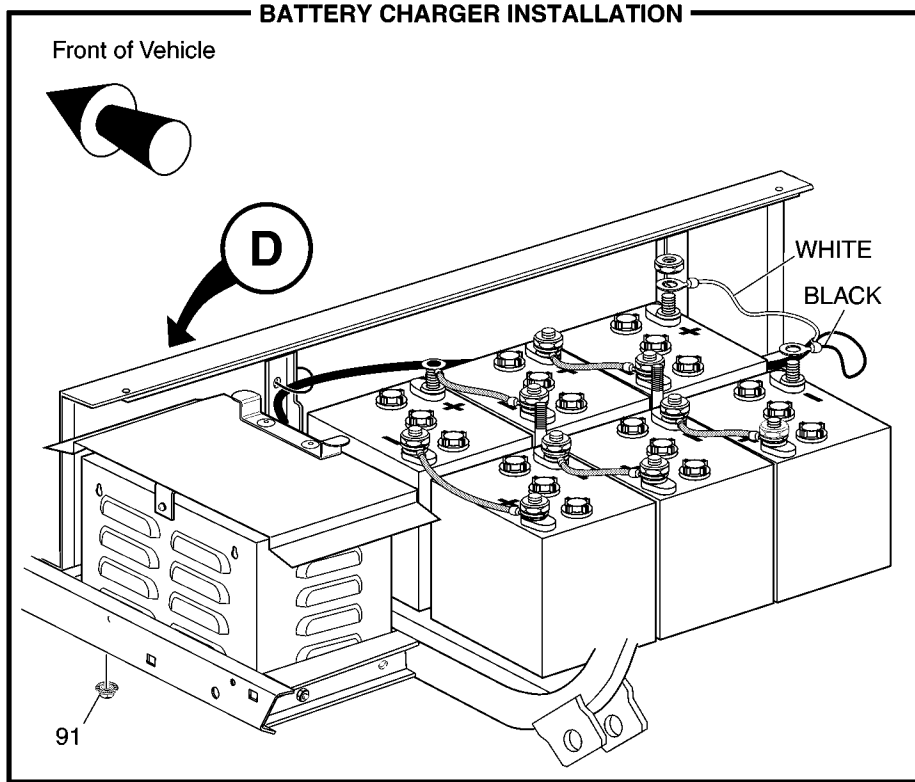
TRANSFORMER INSTALLATION



32 - Includes Items 33 - 37

- Pin 1 - Wire 76 to Input Board "COM"
- Pin 2 - Tab Adapter 82, RED wire from Control Board
- Pin 3 - Wire 77 to Input Board "WHT"
- Pin 4 - Wire 78 to Heat Sink Clip
- Pin 5 - Wire 79 to DC Cord RED Wire





BATTERY CHARGER (ON BOARD)**Electric Vehicle**

THE USE OF NON UL PARTS WILL VOID ANY UL LISTING.

When ordering parts, please specify the model and serial number of the product.

* Indicates a component that is not available as an individual part.

G** Indicates consult Customer Service Department for additional information.

| ITEM | PART NO. | 1 | 2 | 3 | 4 | 5 | DESCRIPTION | QTY. |
|------|-----------|--|---|---|---|---|-------------|------|
| 1 | 28115-G06 | POWERWISE™ CHARGER (ON BOARD) (INCLUDES ITEMS 3 - 83)..... | | | | | 1 | |
| 2 | | | | | | | | |
| 3 | * | CHASSIS | | | | | 1 | |
| 4 | 00513-G6 | SCREW, #8 - 18 X 1 3/4" LG | | | | | 2 | |
| 5 | 00559-G4 | WASHER, #8 | | | | | 2 | |
| 6 | 11572-G3 | EXPANSION NUT | | | | | 2 | |
| 7 | 28104-G01 | HEAT SINK | | | | | 1 | |
| 8 | 00138-G3 | SCREW, #6 - 32 X 3/8" LG | | | | | 2 | |
| 9 | 00559-G3 | WASHER, #6 | | | | | 2 | |
| 10 | 00567-G3 | LOCK WASHER, #6 | | | | | 2 | |
| 11 | 00525-G5 | NUT, #6 - 32..... | | | | | 2 | |
| 12 | 18488-G1 | DIODE..... | | | | | 2 | |
| 13 | 01005-G01 | SCREW, #6 - 19 X 5/16" LG | | | | | 3 | |
| 14 | 00559-G3 | WASHER, #6 | | | | | 3 | |
| 15 | 28111-G01 | SUPPORT SPACER..... | | | | | 3 | |
| 16 | 28110-G01 | ELECTRICAL CLIP..... | | | | | 1 | |
| 17 | | | | | | | | |
| 18 | * | COVER | | | | | 1 | |
| 19 | 28102-G01 | HANDLE | | | | | 1 | |
| 20 | 00614-G4 | SCREW, #8 - 18 X 1/2" LG | | | | | 6 | |
| 21 | 28136-G01 | LABEL (VENTILATION)..... | | | | | 1 | |
| 22 | 28136-G02 | LABEL (CORD CONDITION)..... | | | | | 1 | |
| 23 | | | | | | | | |
| 24 | 26979-G01 | CAPACITOR BRACKET | | | | | 1 | |
| 25 | 28109-G01 | CAPACITOR | | | | | 1 | |
| 26 | 00969-G01 | SCREW, #8 - 32 X 3/8" LG | | | | | 3 | |
| 27 | 00414-G5 | BOLT, 1/4 - 20 X 5/8" LG..... | | | | | 3 | |
| 28 | 11027-G2 | LOCK NUT, 1/4 - 20..... | | | | | 3 | |
| 29 | 19388-G5 | AC CORD | | | | | 1 | |
| 30 | 13557-G2 | STRAIN RELIEF (AC)..... | | | | | 1 | |

THE USE OF NON UL PARTS WILL VOID ANY UL LISTING.

When ordering parts, please specify the model and serial number of the product.

* Indicates a component that is not available as an individual part.

G** Indicates consult Customer Service Department for additional information.

| ITEM | PART NO. | 1 | 2 | 3 | 4 | 5 | DESCRIPTION | QTY. |
|------|-----------|---|---|---|---|---|---|------|
| 31 | 13557-G3 | | | | | | STRAIN RELIEF (DC) | 1 |
| 32 | 73331-G06 | | | | | | DC CORD ASSEMBLY (INCLUDES ITEMS 33 - 37) | 1 |
| 33 | 28108-G01 | | | | | | DC CORD | 1 |
| 34 | 11343-G3 | | | | | | RING TERMINAL, 3/16" | 2 |
| 35 | 11343-G1 | | | | | | RING TERMINAL, 5/16" | 2 |
| 36 | 17064-G1 | | | | | | FEMALE TERMINAL | 2 |
| 37 | 22476-G1 | | | | | | HEAT SHRINK TUBING | A/R |
| 38 | | | | | | | | |
| 39 | | | | | | | | |
| 40 | 22009-G1 | | | | | | ISOLATION MOUNT | 4 |
| 41 | 00559-G7 | | | | | | WASHER, 1/4" | 4 |
| 42 | 00565-G7 | | | | | | LOCK WASHER, 1/4" | 4 |
| 43 | 00532-G1 | | | | | | NUT, 1/4 - 20 | 4 |
| 44 | | | | | | | | |
| 45 | 28105-G01 | | | | | | AMMETER | 1 |
| 46 | 00984-G01 | | | | | | SCREW, #8 - 10 X 1/2" LG. | 2 |
| 47 | 00559-G4 | | | | | | WASHER, #8 | 2 |
| 48 | 01003-G01 | | | | | | BRASS WASHER, #10 | 4 |
| 49 | 22589-G2 | | | | | | SHOULDER WASHER, #10 | 1 |
| 50 | 00771-G6 | | | | | | NYLON WASHER, #10 | 1 |
| 51 | 00528-G4 | | | | | | NUT, #10 - 32 | 3 |
| 52 | 28106-G01 | | | | | | 50 AMP FUSE | 1 |
| 53 | 00565-G5 | | | | | | LOCK WASHER, #10 | 4 |
| 54 | 00378-G4 | | | | | | SCREW, #10 - 24 X 1/2" LG. | 2 |
| 55 | 00526-G3 | | | | | | NUT, #10 - 24 | 2 |
| 56 | 28103-G01 | | | | | | TRANSFORMER | 1 |
| 57 | 27877-G01 | | | | | | SPACER SUPPORT | 4 |
| 58 | 17618-G1 | | | | | | WIRE TIE | 3 |
| 59 | | | | | | | | |
| 60 | 00372-G3 | | | | | | SCREW, #8 - 32 X 3/8" LG. | 1 |



BATTERY CHARGER (ON BOARD)**Electric Vehicle**

THE USE OF NON UL PARTS WILL VOID ANY UL LISTING.

When ordering parts, please specify the model and serial number of the product.

* Indicates a component that is not available as an individual part.

G** Indicates consult Customer Service Department for additional information.

| ITEM | PART NO. | 1 | 2 | 3 | 4 | 5 | DESCRIPTION | QTY. |
|------|------------|---|---|---|---|---|---|------|
| 61 | 25977-G32 | | | | | | 16 GA WIRE (GREEN 4") | 1 |
| 62 | 00565-G4 | | | | | | LOCK WASHER, #8 | 1 |
| 63 | 00526-G1 | | | | | | NUT, #8 - 32..... | 1 |
| 64 | | | | | | | | |
| 65 | * | | | | | | LABEL (POWERWISE™) | 1 |
| 66 | 28126-G01 | | | | | | CONTROL BOARD..... | 1 |
| 67 | 28126-G03 | | | | | | POWER INPUT BOARD..... | 1 |
| 68 | | | | | | | | |
| 69 | 00565-G7 | | | | | | LOCK WASHER, 1/4" | 2 |
| 70 | 00532-G2 | | | | | | NUT, 1/4 - 28..... | 2 |
| 71 | | | | | | | | |
| 72 | 21971-G4 | | | | | | RELAY | 1 |
| 73 | 00138-G4 | | | | | | SCREW, #6 - 32 X 1/2" LG | 2 |
| 74 | 14390-G9 | | | | | | LOCK NUT, #6 - 32 | 2 |
| 75 | | | | | | | | |
| 76 | 25977-G38 | | | | | | 16 GA WIRE (BLACK 4") (from Relay 1 to Power Input Board "COM") | 1 |
| 77 | 25977-G37 | | | | | | 16 GA WIRE (WHITE 5") (from Relay 3 to Power Input Board "WHT")..... | 1 |
| 78 | 25978-G161 | | | | | | 18 GA WIRE (BLUE 6") (from Relay 4 to Heat Sink clip)..... | 1 |
| 79 | 25978-G162 | | | | | | 18 GA WIRE (YELLOW 6") (from Relay 5 to DC Cord "RED")..... | 1 |
| 80 | 25978-G163 | | | | | | 18 GA WIRE (BLACK 7") (from Transformer S2/S3 to Control Module "Black") | 1 |
| 81 | 17902-G1 | | | | | | TAB ADAPTER (on Power Input Board "WHT" w/ 77 & AC Cord WHT) | 1 |
| 82 | 28305-G01 | | | | | | TERMINAL ADAPTER (on Relay 2 w/ Control Board RED)..... | 1 |
| 83 | 27285-G01 | | | | | | TERMINAL ADAPTER (on Relay "COM" w/ 76 & AC Cord BLK)..... | 1 |
| 84 | | | | | | | | |
| 85 | 71968-G01 | | | | | | SHIELD ASSEMBLY (INCLUDES ITEMS 86 - 88)..... | 1 |
| 86 | 71967-G01 | | | | | | SHIELD | 1 |
| 87 | 22045-G01 | | | | | | CORD HOLDER | 1 |
| 88 | 10570-G01 | | | | | | RIVET,..... | 2 |
| 89 | 00106-G6 | | | | | | SCREW, #12 - 24 X 3/4" LG..... | 2 |

THE USE OF NON UL PARTS WILL VOID ANY UL LISTING.

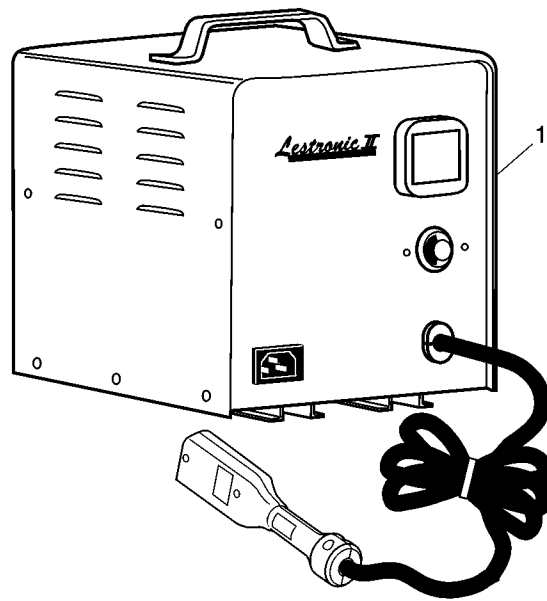
When ordering parts, please specify the model and serial number of the product.

* Indicates a component that is not available as an individual part.

G** Indicates consult Customer Service Department for additional information.

| ITEM | PART NO. | 1 | 2 | 3 | 4 | 5 | DESCRIPTION | QTY. |
|------|-----------|---|---|---|---|---|-------------------------------|------|
| 90 | | | | | | | | |
| 91 | 11027-G2 | | | | | | LOCK NUT, 1/4 - 20 | 4 |
| 92 | | | | | | | | |
| 93 | 73173-G01 | | | | | | COVER PLATE | 1 |
| 94 | 14601-G10 | | | | | | RIVET, 5/32" X 7/16" LG | 4 |

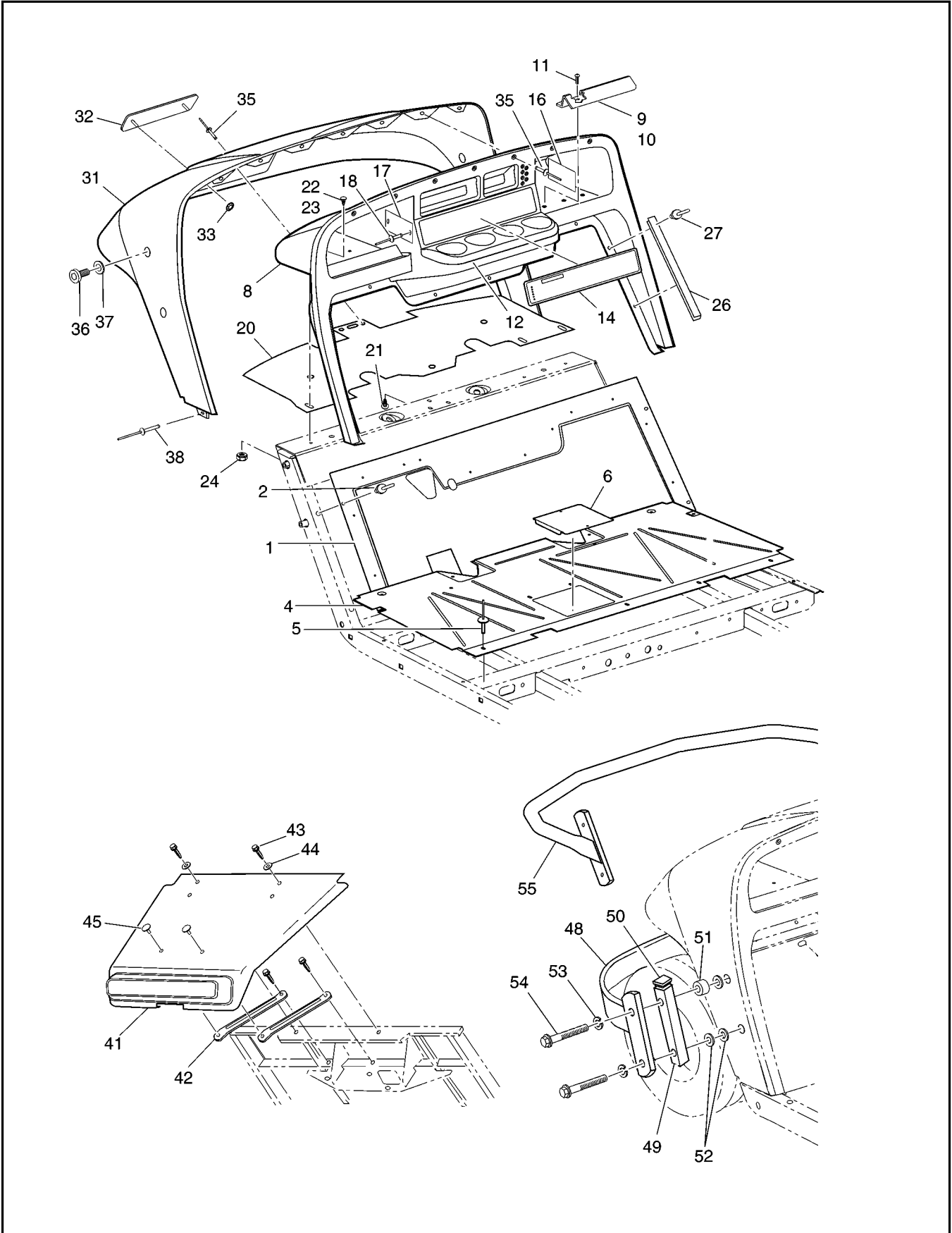


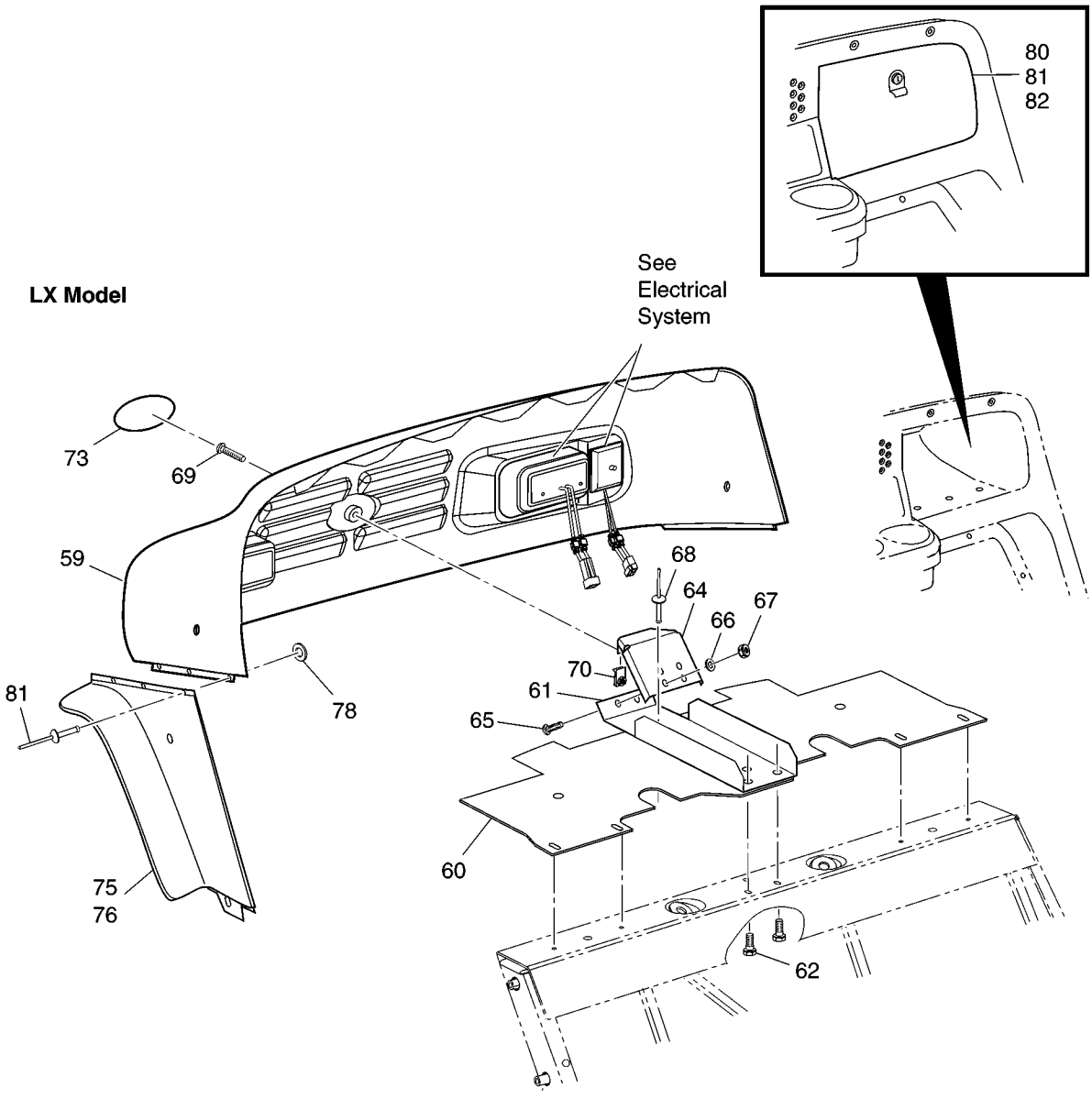


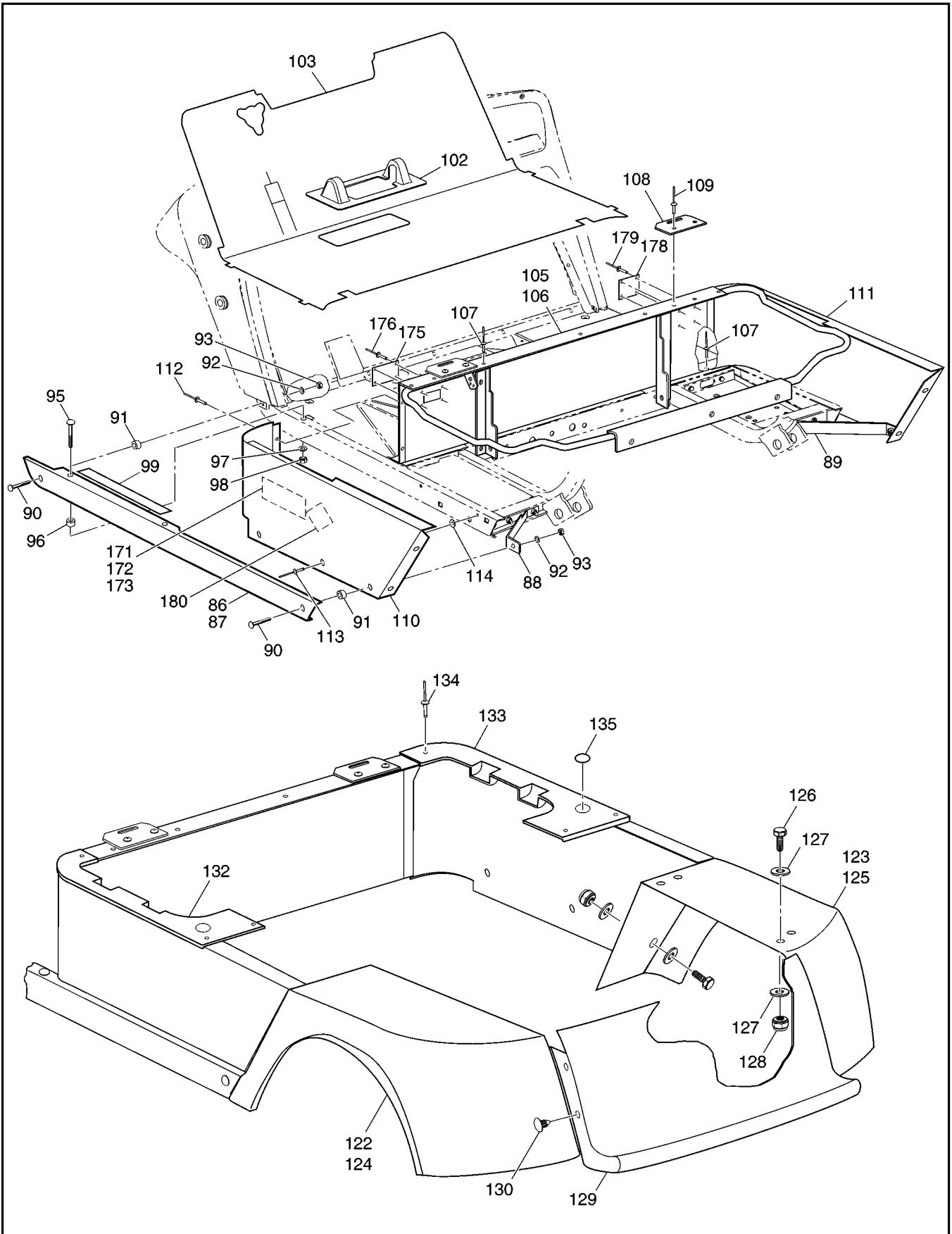
THE USE OF NON U.L. PARTS WILL VOID ANY U.L. LISTING.
 When ordering parts, please specify the model and serial number of the product.
 * Indicates a component that is not available as an individual part.
 G** Indicates consult Customer Service Department for additional information.

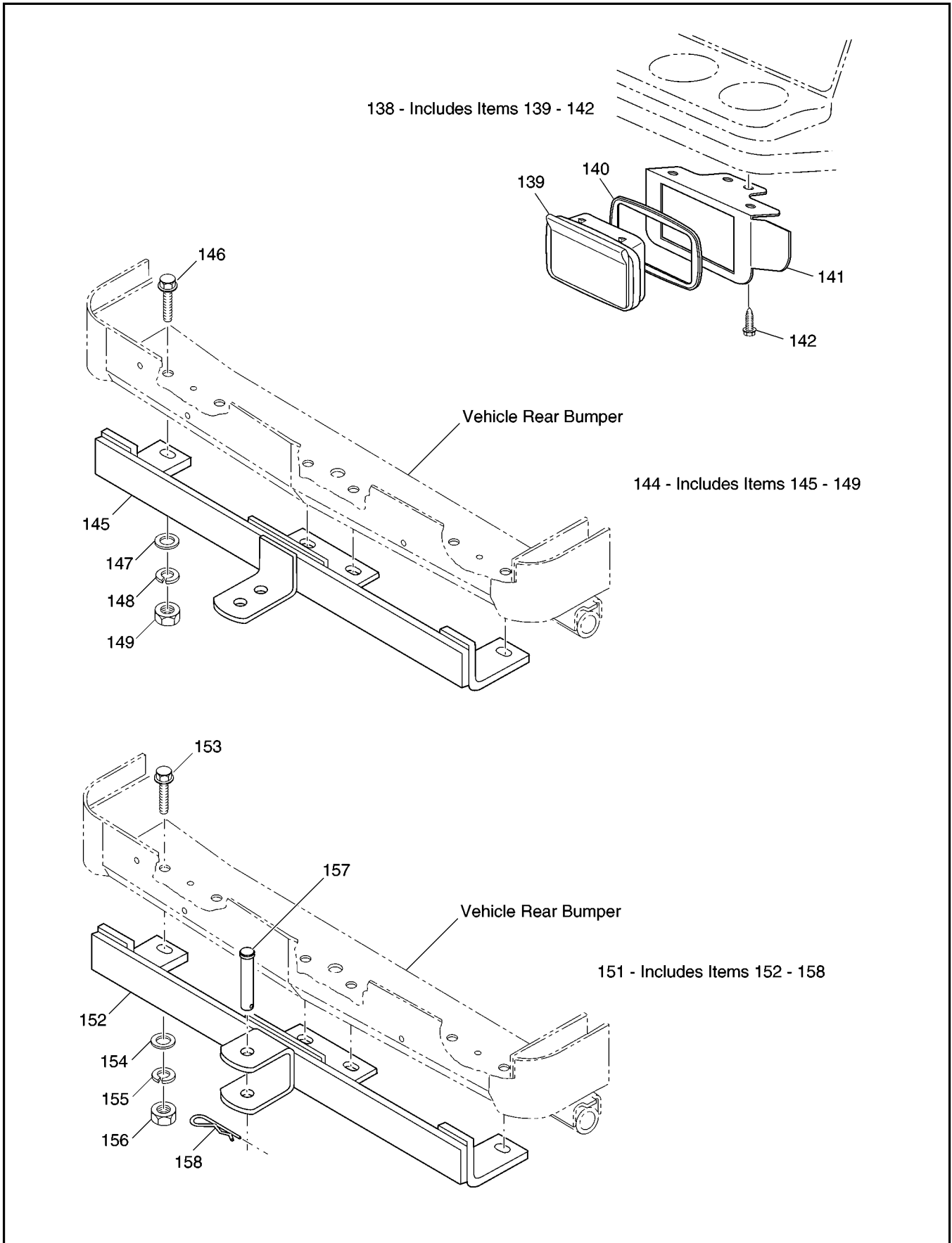
| ITEM | PART NO. | 1 2 3 4 5 DESCRIPTION | QTY. |
|------|-----------|--|------|
| 1 | 28516-G01 | <p>BATTERY CHARGER, LESTER, 36 VOLT, PORTABLE WITH POWERWISE CONNECTOR, CE APPROVED (OPTIONAL)</p> <p>For service or replacement parts, contact: Lester Electrical 625 West "A" Street Lincoln, NE 68522</p> <p>Phone: (402) 477-8988, FAX: (402) 474-1769</p> <p>Always provide the following information when requesting information or ordering replacement parts:</p> <p>Model Number: Serial Number: (stamped into housing)</p> | |

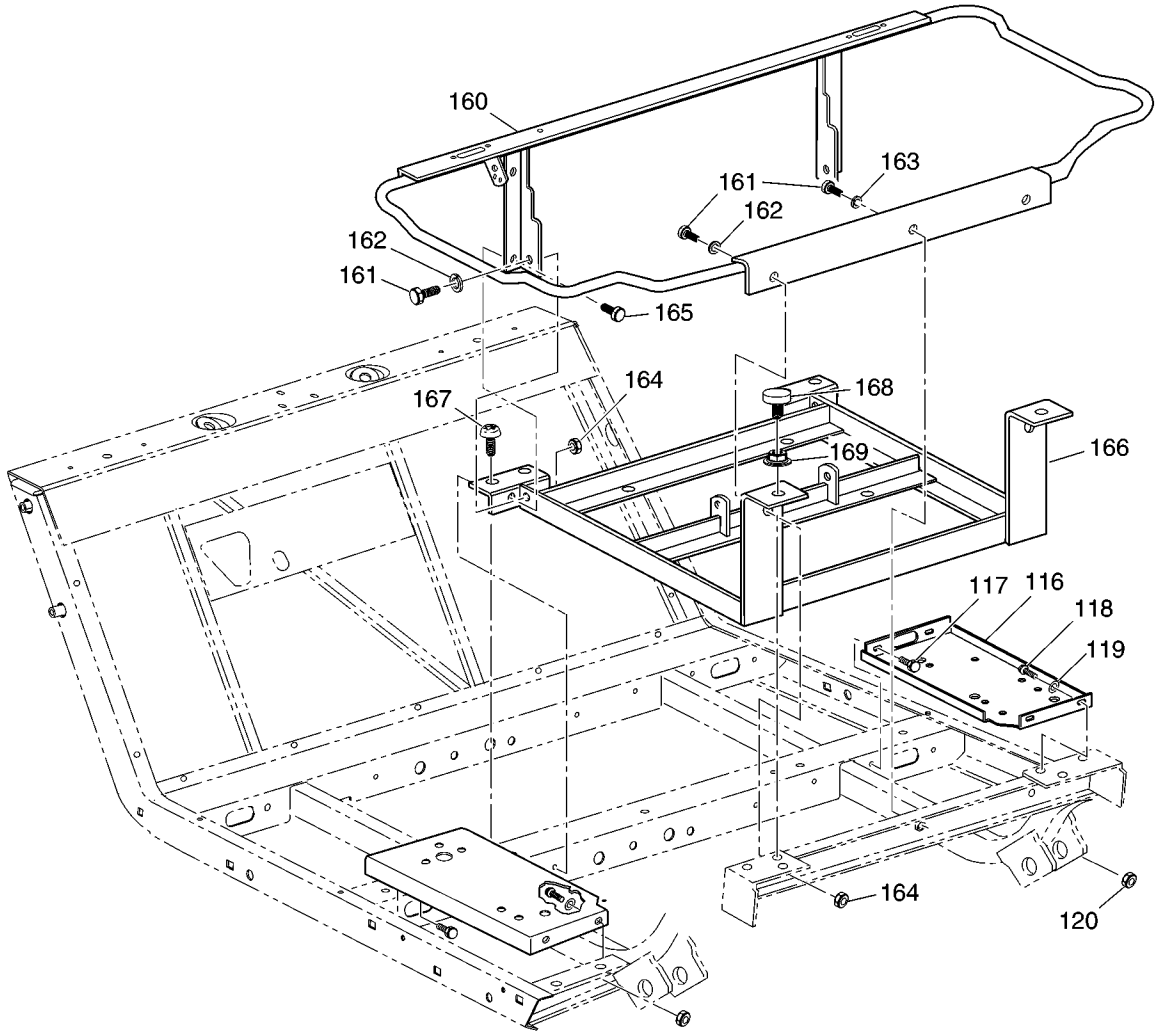












When ordering parts, please specify the model and serial number of the product.

* Indicates a component that is not available as an individual part.

G** Indicates consult Customer Service Department for additional information.

| ITEM | PART NO. | 1 2 3 4 5 | DESCRIPTION | QTY. |
|------|-----------|-----------|--|------|
| 1 | 71510-G01 | | UPPER FLOORPAN | 1 |
| 2 | 14601-G11 | | RIVET, 3/16" X 9/16" LG | 9 |
| 3 | | | | |
| 4 | 70451-G01 | | LOWER FLOORPAN..... | 1 |
| 5 | 14601-G11 | | RIVET, 3/16" X 9/16" LG | 7 |
| 6 | 70452-G01 | | ACCESS COVER..... | 1 |
| 7 | | | | |
| 8 | 71151-G01 | | INSTRUMENT PANEL ASSEMBLY (INCLUDES ITEMS 9 - 12) | 1 |
| 9 | 71153-G01 | | DEFLECTOR (PASSENGER SIDE)..... | 1 |
| 10 | 71154-G01 | | DEFLECTOR (DRIVER SIDE) | 1 |
| 11 | 00614-G5 | | SCREW, #8 - 18 X 5/8" LG..... | 6 |
| 12 | 71158-G01 | | INSTRUMENT PANEL INSERT (FOUR CUP) | 1 |
| 13 | | | | |
| 14 | 71179-G02 | | LABEL (SAFETY)..... | 1 |
| 15 | | | | |
| 16 | * | | SERIAL NUMBER PLATE..... | 1 |
| 17 | * | | CAPACITY PLATE | 1 |
| 18 | 01041-G01 | | RIVET, 5/32" X 7/8" LG | 4 |
| 19 | | | | |
| 20 | 71413-G01 | | SPLASH PANEL..... | 1 |
| 21 | 16816-G2 | | RATCHET FASTENER, 1/4" X 3/4" LG..... | 1 |
| 22 | 16816-G2 | | RATCHET FASTENER, 1/4" X 3/4" LG (LATE 2000 PRODUCTION)..... | 4 |
| 23 | 01036-G01 | | SCREW, #10 - 24 X 3/4" LG (TO EARLY 2000 PRODUCTION) | 4 |
| 24 | 11098-G7 | | LOCK NUT, #10 - 24 (TO EARLY 2000 PRODUCTION) | 4 |
| 25 | | | | |
| 26 | 71115-G01 | | VINYL TRIM | 2 |
| 27 | 71055-G01 | | RIVET, 3/16" X 1" LG | 10 |
| 28 | | | | |
| 29 | | | | |
| 30 | | | | |

When ordering parts, please specify the model and serial number of the product.
 * Indicates a component that is not available as an individual part.
 G** Indicates consult Customer Service Department for additional information.

| ITEM | PART NO. | 1 2 3 4 5 | DESCRIPTION | QTY. |
|------|-----------|-----------|--|------|
| 31 | 71051-G** | | COWL | 1 |
| 32 | 71037-G02 | | NAMEPLATE (E-Z-GO)..... | 1 |
| 33 | 12064-G3 | | PUSHNUT, 3/16" | 2 |
| 34 | | | | |
| 35 | 71055-G01 | | RIVET, 3/16" X 1" LG | 9 |
| 36 | 71056-G01 | | BOLT, 5/16 - 18 X 5/8" LG..... | 4 |
| 37 | 00570-G2 | | WASHER, 5/16" | 4 |
| 38 | 14601-G13 | | RIVET, 5/32" X 9/16" LG | 2 |
| 39 | | | | |
| 40 | | | | |
| 41 | 27166-G02 | | FRONT SHIELD..... | 1 |
| 42 | 71015-G01 | | FRONT SHIELD BRACE..... | 2 |
| 43 | 01038-G01 | | SCREW, 1/4 - 20 X 1/2" LG | 4 |
| 44 | 16469-G7 | | WASHER, 1/4" | 2 |
| 45 | 16816-G2 | | RATCHET FASTENER, 1/4" X 3/4" LG | 2 |
| 46 | | | | |
| 47 | | | | |
| 48 | 74040-G01 | | FRONT BUMPER..... | 1 |
| 49 | 74037-G01 | | SPACER TUBE | 2 |
| 50 | 19859-G1 | | END CAP, 3/4" | 2 |
| 51 | 75048-G01 | | SPACER, 1/2" | 2 |
| 52 | 00570-G2 | | WASHER, 5/16" | 6 |
| 53 | 00905-G8 | | LOCK WASHER, 5/16"..... | 4 |
| 54 | 01035-G02 | | BOLT, 5/16 - 18 X 2 1/2" LG..... | 4 |
| 55 | 74306-G01 | | BUMPER (LX) | 1 |
| 56 | | | | |
| 57 | | | | |
| 58 | | | | |
| 59 | 71219-G01 | | COWL, LX..... | 1 |
| 60 | 71413-G02 | | SPLASH PANEL..... | 1 |



When ordering parts, please specify the model and serial number of the product.

* Indicates a component that is not available as an individual part.

G** Indicates consult Customer Service Department for additional information.

| ITEM | PART NO. | 1 2 3 4 5 | DESCRIPTION | QTY. |
|------|-----------|-----------|--|------|
| 61 | 71101-G01 | | COWL SUPPORT BRACKET | 1 |
| 62 | 71102-G02 | | SELF TAPPING SCREW, 1/4 - 20 X 1/2" LG | 3 |
| 63 | | | | |
| 64 | 71462-G01 | | COWL SUPPORT BRACE..... | 1 |
| 65 | 00740-G4 | | SCREW, #10 - 32 X 1/2" LG | 2 |
| 66 | 00559-G5 | | WASHER, #10..... | 2 |
| 67 | 00921-G8 | | LOCK NUT, #10 - 32 | 2 |
| 68 | 71055-G02 | | RIVET, 3/16" X 1 1/8" LG | 1 |
| 69 | 16705-G9 | | SCREW, 1/4 - 20 X 1 1/4" LG | 1 |
| 70 | 14776-G1 | | RETAINER NUT ('J' TYPE), 1/4 - 20..... | 1 |
| 71 | | | | |
| 72 | | | | |
| 73 | 71289-G01 | | NAMEPLATE (E-Z-GO) (OVAL) | 1 |
| 74 | | | | |
| 75 | 71214-G01 | | FENDER FLARE (DRIVER SIDE)..... | 1 |
| 76 | 71214-G02 | | FENDER FLARE (PASSENGER SIDE) | 1 |
| 77 | 71045-G01 | | RIVET, 5/32 X 3/4" LG..... | 6 |
| 78 | 00559-G4 | | WASHER, #8..... | 6 |
| 79 | | | | |
| 80 | 75459-G01 | | GLOVE BOX DOORS (BOTH SIDES)..... | 1 |
| 81 | 75459-G02 | | GLOVE BOX DOOR (DRIVER SIDE) | 1 |
| 82 | 75459-G03 | | GLOVE BOX DOOR (PASSENGER SIDE)..... | 1 |
| 83 | | | | |
| 84 | | | | |
| 85 | | | | |
| 86 | 71439-G01 | | ROCKER PANEL (DRIVER SIDE) | 1 |
| 87 | 71439-G02 | | ROCKER PANEL (PASSENGER SIDE) | 1 |
| 88 | 71440-G01 | | BRACE (DRIVER SIDE)..... | 1 |
| 89 | 71440-G02 | | BRACE (PASSENGER SIDE) | 1 |
| 90 | 00789-G2 | | SCREW, #10 - 24 X 1 1/4" LG | 4 |



When ordering parts, please specify the model and serial number of the product.
 * Indicates a component that is not available as an individual part.
 G** Indicates consult Customer Service Department for additional information.

| ITEM | PART NO. | 1 2 3 4 5 | DESCRIPTION | QTY. |
|------|-----------|-----------|---|------|
| 91 | 19247-G3 | | SPACER, 9/32" | 4 |
| 92 | 00660-G5 | | WASHER, #10..... | 4 |
| 93 | 11098-G7 | | LOCK NUT, #10 - 24 | 4 |
| 94 | | | | |
| 95 | 16705-G1 | | SCREW, 1/4 - 20 X 1" LG | 4 |
| 96 | 23726-G2 | | SPACER, 1/4" | 4 |
| 97 | 00559-G7 | | WASHER, 1/4" | 4 |
| 98 | 14390-G4 | | LOCK NUT, 1/4 - 20 | 4 |
| 99 | 71764-G01 | | SILL PLATE TREAD..... | 2 |
| 100 | | | | |
| 101 | | | | |
| 102 | 70135-G01 | | PEDAL PIVOT COVER..... | 1 |
| 103 | 70048-G06 | | FLOORMAT..... | 1 |
| 104 | | | | |
| 105 | 71844-G** | | SEAT WRAP PANEL WITH LOUVERS (PRODUCTION SINCE 4-99)..... | 1 |
| 106 | 71379-G** | | SEAT WRAP PANEL (PRODUCTION PRIOR TO 4-99)..... | 1 |
| 107 | 10570-G10 | | RIVET, 5/32" X 9/16" LG | 8 |
| 108 | 71609-G01 | | SEAT HINGE PLATE..... | 2 |
| 109 | 10570-G11 | | RIVET, 3/16" X 3/4" LG | 4 |
| 110 | 71674-G** | | SIDE PANEL (DRIVER SIDE) | 1 |
| 111 | 71674-G** | | SIDE PANEL (PASSENGER SIDE) | 1 |
| 112 | 10570-G10 | | RIVET, 5/32" X 9/16" LG | 4 |
| 113 | 10570-G12 | | RIVET, 1/4" X 1/2" LG | 4 |
| 114 | 16469-G7 | | WASHER, 1/4" | 4 |
| 115 | | | | |
| 116 | 70244-G02 | | SPLASH PANEL..... | 2 |
| 117 | 00715-G2 | | BOLT, 5/16 - 18 X 13/16" LG..... | 4 |
| 118 | 00438-G8 | | BOLT, 5/16 - 18 X 1" LG..... | 4 |
| 119 | 00559-G8 | | WASHER, 5/16" | 4 |
| 120 | 11098-G6 | | LOCK NUT, 5/16 - 18 | 4 |



When ordering parts, please specify the model and serial number of the product.

* Indicates a component that is not available as an individual part.

G** Indicates consult Customer Service Department for additional information.

| ITEM | PART NO. | 1 2 3 4 5 | DESCRIPTION | QTY. |
|------|-----------|-----------|---|------|
| 121 | | | | |
| 122 | 71586-G01 | | FENDER (DRIVER SIDE) | 1 |
| 123 | 71586-G02 | | FENDER (PASSENGER SIDE)..... | 1 |
| 124 | 71586-G03 | | FENDER WITH TAILLIGHT (DRIVER SIDE) | 1 |
| 125 | 71586-G04 | | FENDER WITH TAILLIGHT (PASSENGER SIDE) | 1 |
| 126 | 00414-G7 | | BOLT, 1/4 - 20 X 7/8" LG..... | 12 |
| 127 | 00559-G7 | | WASHER, 1/4" | 24 |
| 128 | 14390-G4 | | LOCK NUT, 1/4 - 20 | 12 |
| 129 | 71587-G01 | | REAR PANEL..... | 1 |
| 130 | 71055-G01 | | RIVET, 3/16" X 1" LG | 4 |
| 131 | | | | |
| 132 | 71588-G01 | | SEAT FILLER PANEL (DRIVER SIDE) | 1 |
| 133 | 71588-G02 | | SEAT FILLER PANEL (PASSENGER SIDE)..... | 1 |
| 134 | 10570-G10 | | RIVET, 5/32" X 9/16" LG | 6 |
| 135 | 20271-G3 | | HOLE PLUG, 2" (VEHICLES WITHOUT TOP) | 2 |
| 136 | | | | |
| 137 | | | | |
| 138 | 75109-G02 | | ASH TRAY KIT (INCLUDES ITEMS 139 - 142) | 1 |
| 139 | 27731-G01 | | ASH TRAY..... | 1 |
| 140 | 27736-G01 | | GASKET | 1 |
| 141 | 75108-G01 | | BRACKET..... | 1 |
| 142 | 00100-G4 | | SCREW, #10 - 16 X 1/2" LG..... | 4 |
| 143 | | | | |
| 144 | 75326-G02 | | BALL HITCH KIT (INCLUDES ITEMS 145 - 149) | 1 |
| 145 | 75324-G01 | | HITCH..... | 1 |
| 146 | 13437-G5 | | LOCK SCREW, 3/8-16 X 1 1/2" LG..... | 4 |
| 147 | 00571-G3 | | WASHER, 3/8"..... | 4 |
| 148 | 00566-G1 | | LOCK WASHER, 3/8"..... | 4 |
| 149 | 00532-G5 | | NUT, 3/8-16 | 4 |
| 150 | | | | |

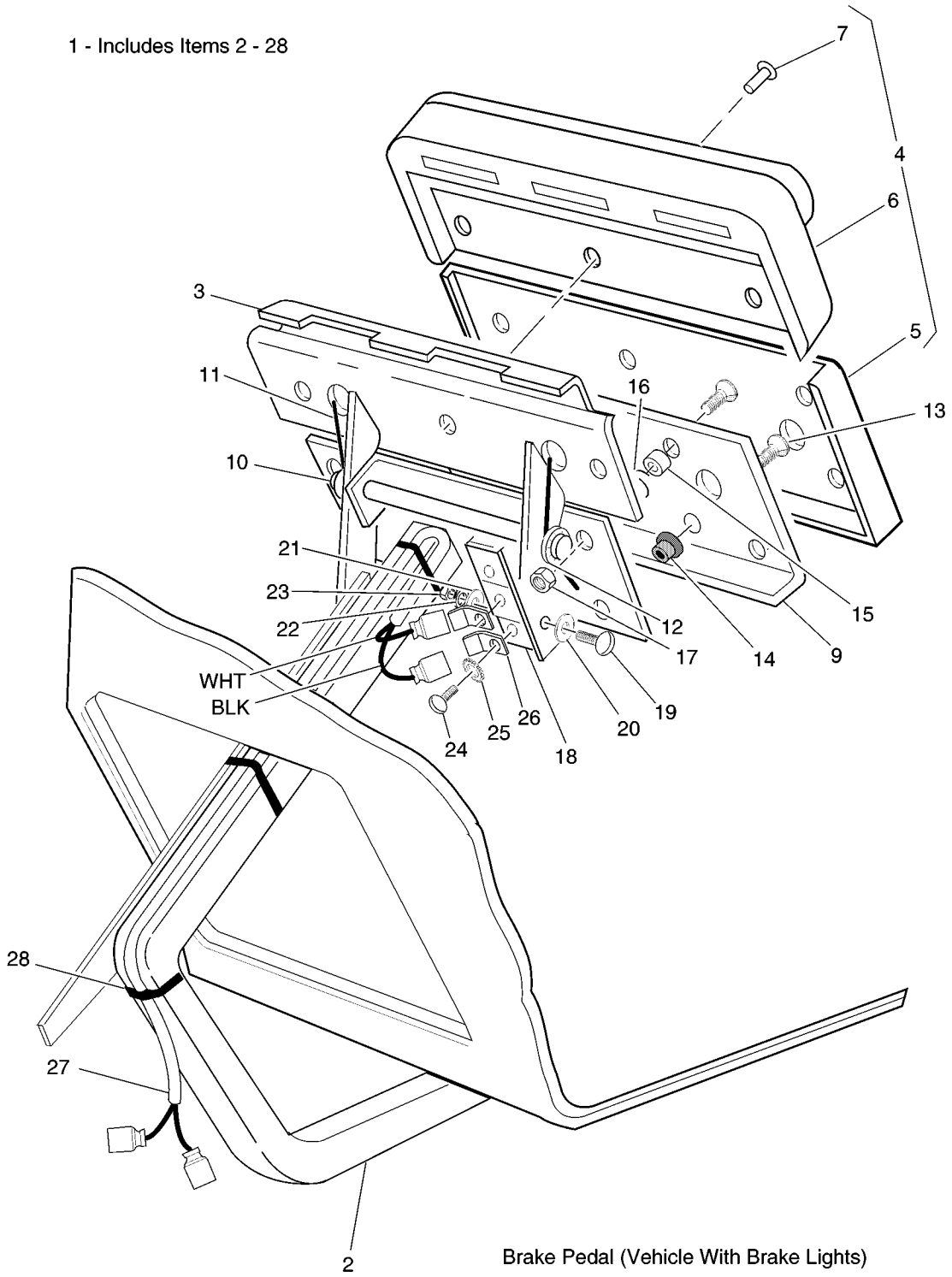


When ordering parts, please specify the model and serial number of the product.
 * Indicates a component that is not available as an individual part.
 G** Indicates consult Customer Service Department for additional information.

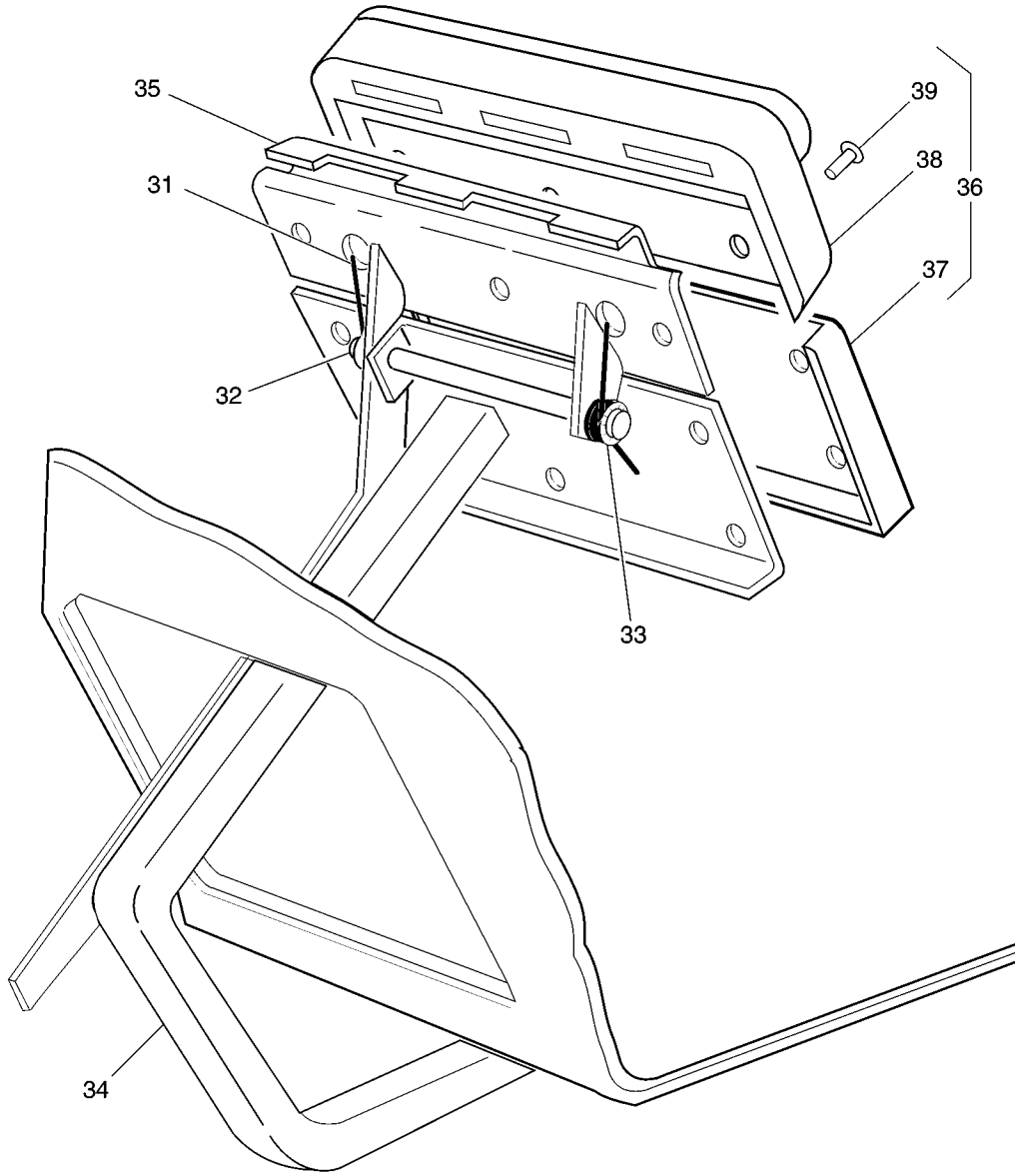
| ITEM | PART NO. | 1 2 3 4 5 | DESCRIPTION | QTY. |
|------|-----------|-----------|---|------|
| 151 | 75327-G02 | | CLEVIS HITCH KIT (INCLUDES ITEMS 152 - 158) | 1 |
| 152 | 75325-G01 | | HITCH..... | 1 |
| 153 | 13437-G5 | | LOCK SCREW, 3/8-16 X 1 1/2" LG | 4 |
| 154 | 00571-G3 | | WASHER, 3/8"..... | 4 |
| 155 | 00566-G1 | | LOCK WASHER, 3/8"..... | 4 |
| 156 | 00532-G5 | | NUT, 3/8-16 | 4 |
| 157 | 14443-G7 | | CLEVIS PIN, 1/2" X 2 1/2" LG | 1 |
| 158 | 19314-G1 | | COTTER PIN, 2 1/2" LG..... | 1 |
| 159 | | | | |
| 160 | 70494-G01 | | SEAT FRAME..... | 1 |
| 161 | 00438-G8 | | BOLT, 5/16 - 18 X 1" LG..... | 5 |
| 162 | 00559-G8 | | WASHER, 5/16" | 4 |
| 163 | 00565-G8 | | LOCK WASHER, 5/16"..... | 1 |
| 164 | 11098-G6 | | LOCK NUT, 5/16 - 18 | 4 |
| 165 | 00715-G2 | | BOLT, 5/16 - 18 X 13/16" LG | 2 |
| 166 | 70046-G01 | | BATTERY RACK | 1 |
| 167 | 70200-G01 | | SCREW, 3/8 - 16 X 1/4" LG | 2 |
| 168 | 70113-G01 | | ADJUSTABLE BUMPER..... | 2 |
| 169 | 11027-G1 | | LOCK NUT, 5/16 - 18 | 2 |
| 170 | | | | |
| 171 | 35062-G01 | | DECAL (WORKHORSE®)..... | 2 |
| 172 | 35430-G04 | | DECAL (1000)..... | 2 |
| 173 | 35430-G03 | | DECAL (1000LX) | 2 |
| 174 | | | | |
| 175 | 73173-G01 | | COVER PLATE (ON-BOARD CHARGER MODELS ONLY)..... | 1 |
| 176 | 14601-G10 | | RIVET, 5/32" X 7/16" LG | 4 |
| 177 | | | | |
| 178 | * | | PLATE UL (EE) | 1 |
| 179 | 10570-G9 | | RIVET, 1/8" X 11/32" LG..... | 4 |
| 180 | 35216-G01 | | DECAL (EE) | 2 |



1 - Includes Items 2 - 28

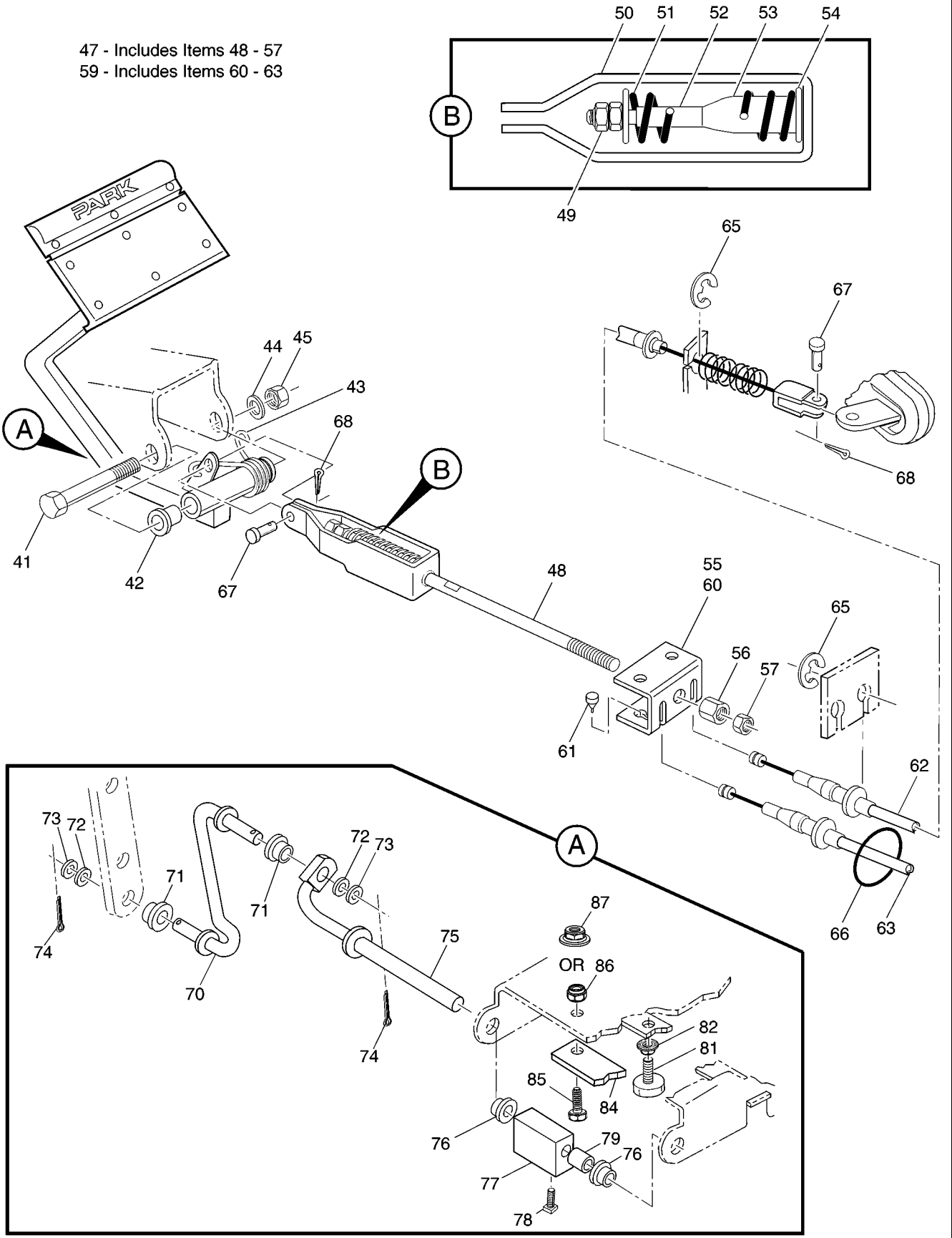


30 - Includes Items 31 - 39



Brake Pedal (Vehicle Without Brake Lights)

47 - Includes Items 48 - 57
59 - Includes Items 60 - 63



Front of Vehicle



88 - Includes Items 90 - 98, 100, 101

89 - Includes Items 90 - 97, 99 - 101

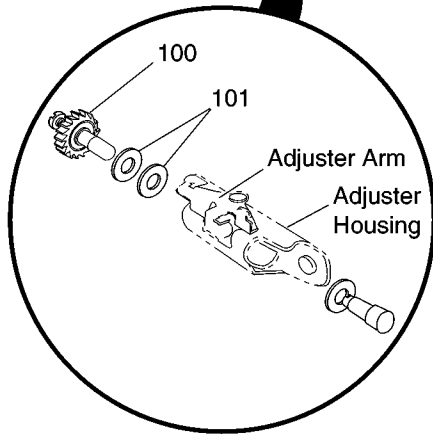
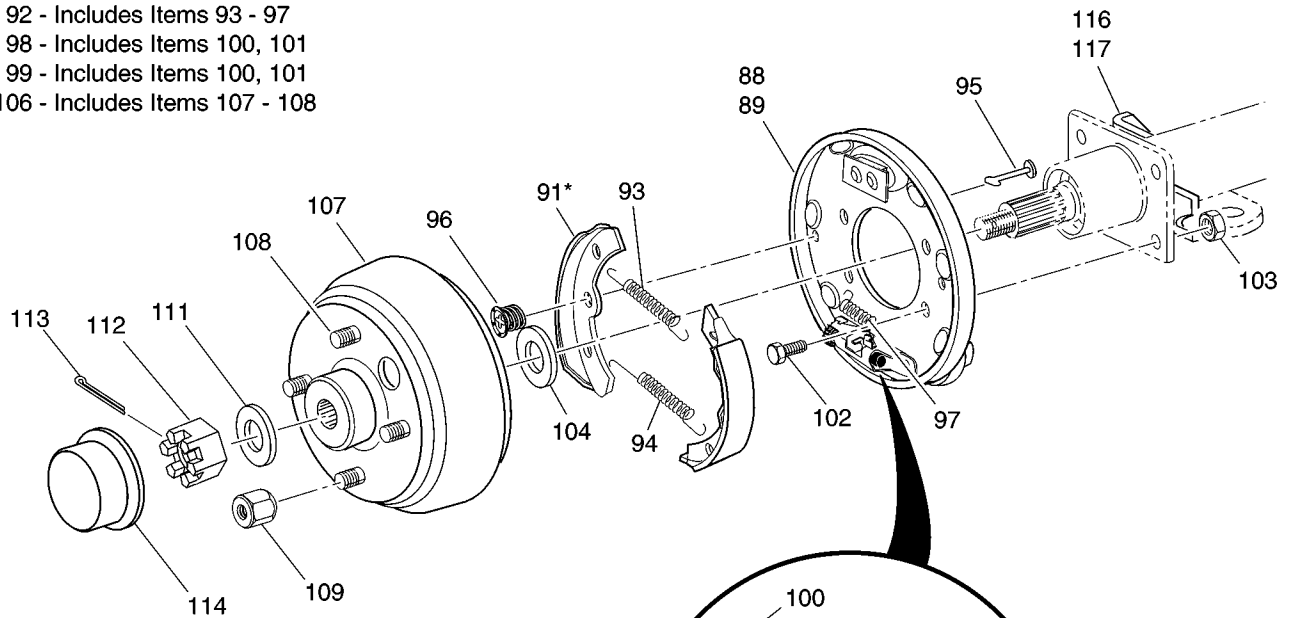
*90 - Includes Item 91

92 - Includes Items 93 - 97

98 - Includes Items 100, 101

99 - Includes Items 100, 101

106 - Includes Items 107 - 108



* When replacing brake shoes, order Brake Adjuster Kit (items 98 or 99).

BRAKES**Electric Vehicle**

THE USE OF NON UL PARTS WILL VOID ANY UL LISTING.

When ordering parts, please specify the model and serial number of the product.

* Indicates a component that is not available as an individual part.

G** Indicates consult Customer Service Department for additional information.

| ITEM | PART NO. | 1 2 3 4 5 | DESCRIPTION | QTY. |
|------|-----------|-----------|--|------|
| 1 | 70263-G01 | | BRAKE PEDAL ASSEMBLY (WITH BRAKE LIGHTS) (INCLUDES ITEMS 2 - 28)..... | 1 |
| 2 | 70249-G01 | | BRAKE PEDAL..... | 1 |
| 3 | 70254-G01 | | PARK BRAKE PEDAL..... | 1 |
| 4 | 70274-G01 | | BRAKE/PARK BRAKE PEDAL PAD KIT (INCLUDES ITEMS 5 - 7)..... | 1 |
| 5 | * | | SERVICE BRAKE PAD..... | 1 |
| 6 | * | | PARK BRAKE PAD..... | 1 |
| 7 | 15766-G1 | | OVAL RIVET, 3/16" x 3/8" LG..... | 9 |
| 8 | | | | |
| 9 | * | | SERVICE BRAKE PEDAL PLATE..... | 1 |
| 10 | 15932-G2 | | PIVOT PIN..... | 1 |
| 11 | 11737-G1 | | TORSION SPRING..... | 2 |
| 12 | 12064-G1 | | PUSH NUT, 5/16"..... | 1 |
| 13 | 00737-G8 | | SCREW, #10 - 24 X 1" LG..... | 4 |
| 14 | 00739-G1 | | RUBBER NUT, #10 - 24..... | 2 |
| 15 | 22362-G3 | | BRAKE PEDAL STANDOFF..... | 2 |
| 16 | 27137-G01 | | CONICAL SPRING..... | 2 |
| 17 | 11098-G7 | | LOCK NUT, #10 - 24..... | 2 |
| 18 | 10606-G8 | | MICRO SWITCH..... | 1 |
| 19 | 00645-G2 | | SCREW, #6 - 32 X 1 1/4" LG..... | 2 |
| 20 | 00559-G5 | | WASHER, #10..... | 2 |
| 21 | 00559-G3 | | WASHER, #6..... | 2 |
| 22 | 00565-G3 | | LOCK WASHER, #6..... | 2 |
| 23 | 00525-G5 | | NUT, #6 - 32..... | 2 |
| 24 | * | | BRASS SCREW..... | 2 |
| 25 | 00567-G3 | | LOCK WASHER, #6..... | 6 |
| 26 | 14628-G1 | | FASTON TAB..... | 2 |
| 27 | 24605-G1 | | WIRE HARNESS (BRAKE LIGHT)..... | 1 |
| 28 | 17618-G1 | | WIRE TIE..... | 3 |
| 29 | | | | |

THE USE OF NON UL PARTS WILL VOID ANY UL LISTING.

When ordering parts, please specify the model and serial number of the product.

* Indicates a component that is not available as an individual part.

G** Indicates consult Customer Service Department for additional information.

| ITEM | PART NO. | 1 2 3 4 5 | DESCRIPTION | QTY. |
|------|-----------|-----------|---|------|
| 30 | 70264-G01 | | BRAKE PEDAL ASSEMBLY (WITHOUT BRAKE LIGHTS) (INCLUDES ITEMS 31 - 39) | 1 |
| 31 | 11737-G1 | | TORSION SPRING..... | 2 |
| 32 | 15932-G2 | | PIVOT PIN..... | 1 |
| 33 | 12064-G1 | | PUSHNUT, 5/16" | 1 |
| 34 | * | | SERVICE BRAKE PEDAL | 1 |
| 35 | 70265-G01 | | PARK BRAKE PEDAL | 1 |
| 36 | 70274-G01 | | BRAKE/PARK BRAKE PEDAL PAD KIT (INCLUDES ITEMS 37 - 39)..... | 1 |
| 37 | * | | SERVICE BRAKE PAD | 1 |
| 38 | * | | PARK BRAKE PAD | 1 |
| 39 | 15766-G1 | | OVAL RIVET, 3/16" X 3/8" LG..... | 9 |
| 40 | | | | |
| 41 | 70582-G01 | | SHOULDER BOLT, 3/8 - 16 X 4" LG..... | 1 |
| 42 | 70581-G01 | | FLANGED BUSHING..... | 2 |
| 43 | 70676-G01 | | TORSION SPRING | 1 |
| 44 | 00643-G1 | | WASHER, 3/8" | 1 |
| 45 | 11098-G5 | | LOCK NUT, 3/8 - 16 | 1 |
| 46 | | | | |
| 47 | 70272-G04 | | COMPENSATOR ASSEMBLY (INCLUDES ITEMS 48 - 57) | 1 |
| 48 | 25882-G04 | | LINKAGE ROD | 1 |
| 49 | 00532-G4 | | NUT, 5/16 - 24..... | 2 |
| 50 | 27330-G01 | | YOKE..... | 1 |
| 51 | 23463-G1 | | COMPRESSION SPRING | 1 |
| 52 | 23061-G2 | | COMPENSATOR STOP TUBE..... | 1 |
| 53 | 17979-G1 | | BUSHING | 1 |
| 54 | 15121-G1 | | WASHER, 3/8" | 2 |
| 55 | 28082-G01 | | EQUALIZER BRACKET | 1 |
| 56 | 00963-G01 | | SPHERICAL NUT, 5/16 - 24 | 1 |
| 57 | 11098-G9 | | LOCK NUT, 5/16 - 24..... | 1 |



BRAKES**Electric Vehicle**

THE USE OF NON UL PARTS WILL VOID ANY UL LISTING.

When ordering parts, please specify the model and serial number of the product.

* Indicates a component that is not available as an individual part.

G** Indicates consult Customer Service Department for additional information.

| ITEM | PART NO. | 1 | 2 | 3 | 4 | 5 | DESCRIPTION | QTY. |
|------|-----------|---|---|---|---|---|---|------|
| 58 | | | | | | | | |
| 59 | 70716-G05 | | | | | | EQUALIZER AND BRAKE CABLE ASSEMBLY (INCLUDES ITEMS 60 - 63).... | 1 |
| 60 | 28082-G01 | | | | | | EQUALIZER BRACKET..... | 1 |
| 61 | 28083-G01 | | | | | | BRAKE COMPENSATOR BUMPER..... | 2 |
| 62 | * | | | | | | BRAKE CABLE (PASSENGER SIDE) | 1 |
| 63 | * | | | | | | BRAKE CABLE (DRIVER SIDE)..... | 1 |
| 64 | | | | | | | | |
| 65 | 12305-G1 | | | | | | RETAINING RING | 4 |
| 66 | 12416-G2 | | | | | | WIRE TIE | 2 |
| 67 | 10386-G3 | | | | | | CLEVIS PIN, 5/16" X 1" LG..... | 3 |
| 68 | 10387-G3 | | | | | | COTTER PIN, 3/32" X 3/4" LG..... | 3 |
| 69 | | | | | | | | |
| 70 | 70601-G01 | | | | | | KICK-OFF LINK..... | 1 |
| 71 | 17838-G1 | | | | | | NYLON BUSHING..... | 2 |
| 72 | 20835-G1 | | | | | | TEFLON WASHER, 3/8" | 2 |
| 73 | 00559-G8 | | | | | | WASHER, 5/16" | 2 |
| 74 | 10387-G3 | | | | | | COTTER PIN, 3/32" X 3/4" LG..... | 2 |
| 75 | 70098-G01 | | | | | | KICK-OFF CAM PIVOT..... | 1 |
| 76 | 10097-G6 | | | | | | FLANGED BEARING | 2 |
| 77 | 25103-G2 | | | | | | KICK-OFF CAM..... | 1 |
| 78 | 71215-G01 | | | | | | SETSCREW, 1/4 - 20 X 1/2" LG..... | 2 |
| 79 | 14134-G4 | | | | | | SPACER..... | 1 |
| 80 | | | | | | | | |
| 81 | 70113-G01 | | | | | | ADJUSTABLE BUMPER | 1 |
| 82 | 11027-G1 | | | | | | LOCK NUT, 5/16 - 18 | 1 |
| 83 | | | | | | | | |
| 84 | 70080-G01 | | | | | | CATCH BRACKET | 1 |
| 85 | 00414-G6 | | | | | | BOLT, 1/4 - 20 X 3/4" LG..... | 2 |
| 86 | 00891-G2 | | | | | | LOCK NUT, 1/4 - 20 | 2 |
| 87 | 11027-G2 | | | | | | LOCK NUT, 1/4 - 20 | 2 |

THE USE OF NON UL PARTS WILL VOID ANY UL LISTING.

When ordering parts, please specify the model and serial number of the product.

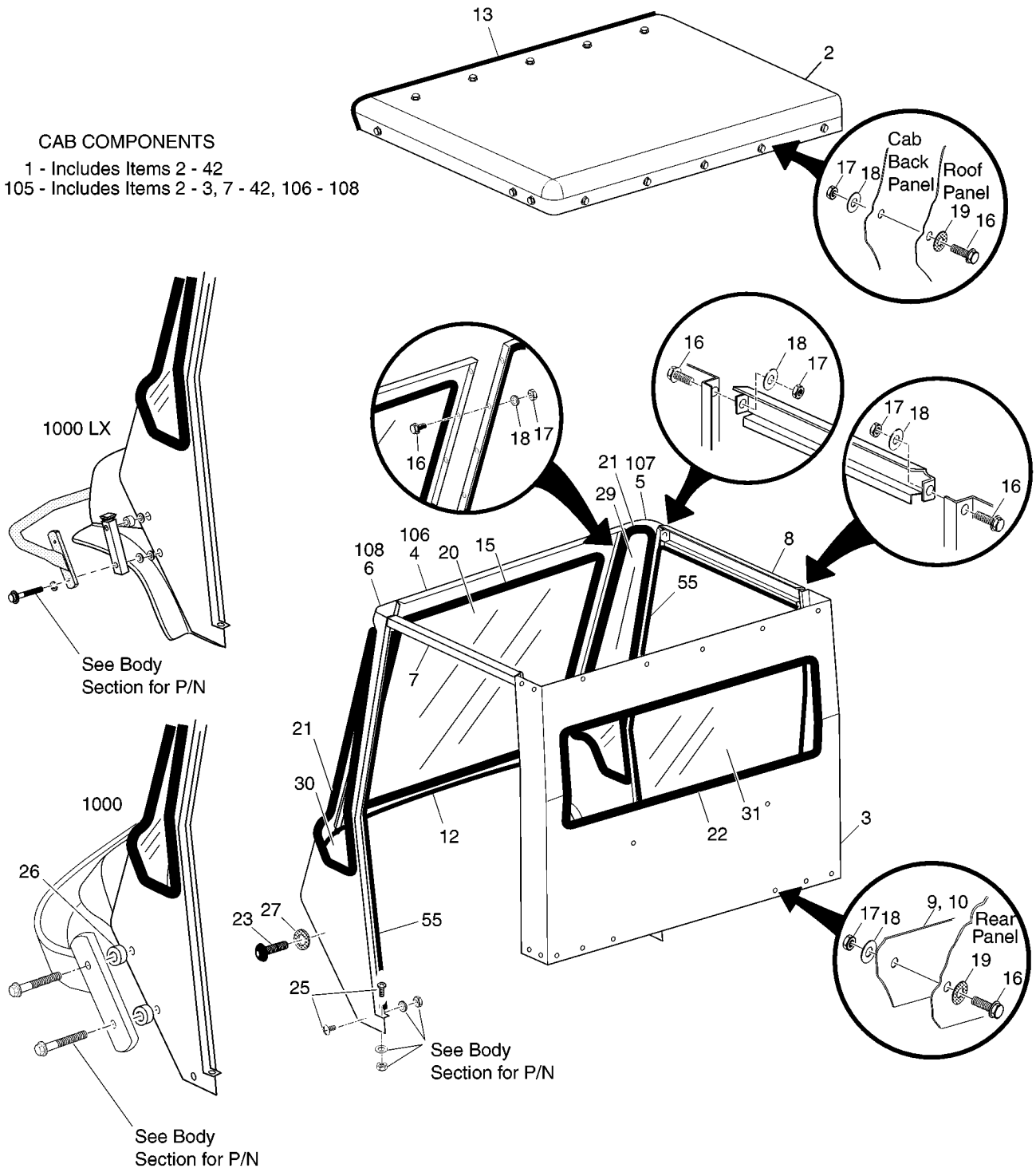
* Indicates a component that is not available as an individual part.

G** Indicates consult Customer Service Department for additional information.

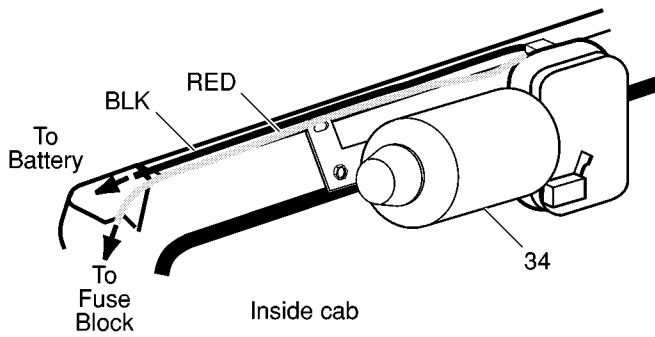
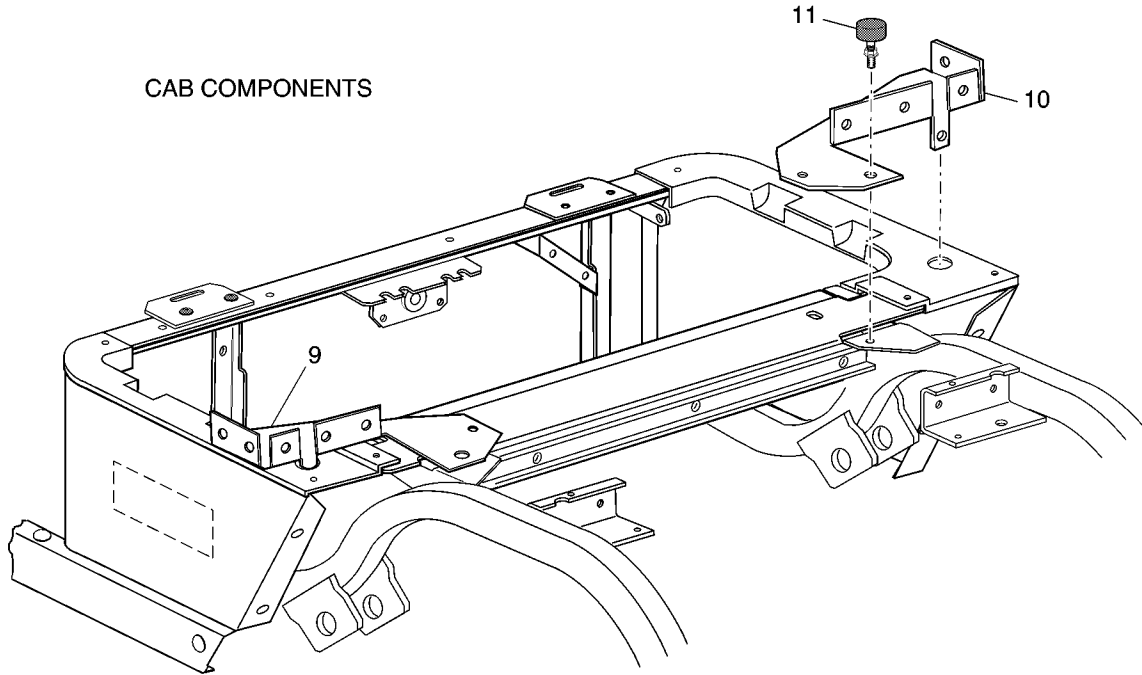
| ITEM | PART NO. | 1 | 2 | 3 | 4 | 5 | DESCRIPTION | QTY. |
|------|-----------|---|---|---|---|---|---|------|
| 88 | 72422-G01 | | | | | | BRAKE ASSEMBLY (DRIVER SIDE) (INCLUDES ITEMS 90 - 98)..... | 1 |
| 89 | 72422-G02 | | | | | | BRAKE ASSEMBLY (PASSENGER SIDE) (INCLUDES ITEMS 90 - 97, 99) | 1 |
| 90 | 27945-G01 | | | | | | BRAKE SHOE KIT (INCLUDES ITEM 91)..... | 2 |
| 91 | * | | | | | | BRAKE SHOE..... | 2 |
| 92 | 27944-G01 | | | | | | BRAKE SPRING KIT (INCLUDES ITEMS 93 - 97) | 2 |
| 93 | * | | | | | | UPPER SPRING | 1 |
| 94 | * | | | | | | LOWER SPRING | 1 |
| 95 | * | | | | | | PIN | 2 |
| 96 | * | | | | | | CUP AND SPRING | 2 |
| 97 | * | | | | | | ADJUSTER SPRING | 1 |
| 98 | 72582-G01 | | | | | | BRAKE ADJUSTER KIT (DRIVER SIDE) (INCLUDES ITEMS 100 - 101)... | 1 |
| 99 | 72582-G02 | | | | | | BRAKE ADJUSTER KIT (PASSENGER SIDE) (INCL ITEMS 100 - 101) ... | 1 |
| 100 | * | | | | | | ADJUSTER | 1 |
| 101 | * | | | | | | TEFLON WASHER | 2 |
| 102 | 17083-G2 | | | | | | BOLT, 5/16 - 24 X 1" LG..... | 8 |
| 103 | 15126-G1 | | | | | | LOCK NUT, 5/16 - 24 | 8 |
| 104 | 15485-G1 | | | | | | INNER BRAKE DRUM WASHER | 2 |
| 105 | | | | | | | | |
| 106 | 19186-G1 | | | | | | BRAKE DRUM ASSEMBLY (INCLUDES ITEMS 107 - 108) | 2 |
| 107 | * | | | | | | BRAKE DRUM..... | 1 |
| 108 | 19862-G1 | | | | | | LUG BOLT, 1/2 - 20 X 1 7/32" LG | 4 |
| 109 | 14723-G1 | | | | | | LUG NUT, 1/2 - 20..... | 8 |
| 110 | | | | | | | | |
| 111 | 15487-G1 | | | | | | WASHER, 1 3/8" O.D. X 21/32" | 2 |
| 112 | 15483-G1 | | | | | | SLOTTED NUT, 5/8 - 18 | 2 |
| 113 | 10387-G1 | | | | | | COTTER PIN, 1/8" X 1 1/2" LG..... | 2 |
| 114 | 74175-G01 | | | | | | SPINDLE CAP | 2 |
| 115 | | | | | | | | |
| 116 | 72036-G02 | | | | | | BRAKE CABLE BRACKET (PASSENGER SIDE) | 1 |
| 117 | 72237-G02 | | | | | | BRAKE CABLE BRACKET (DRIVER SIDE)..... | 1 |

CAB COMPONENTS

1 - Includes Items 2 - 42
 105 - Includes Items 2 - 3, 7 - 42, 106 - 108



CAB COMPONENTS



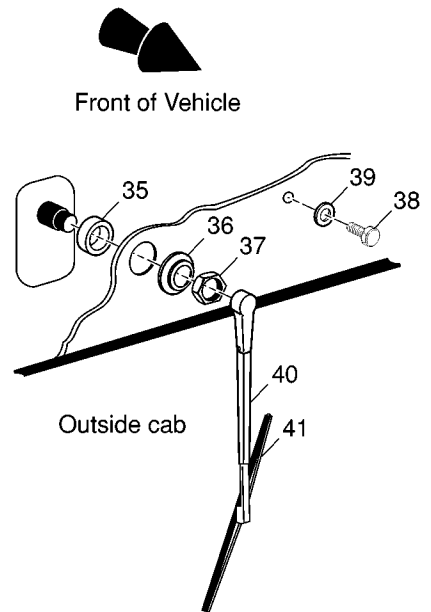
Front of Vehicle



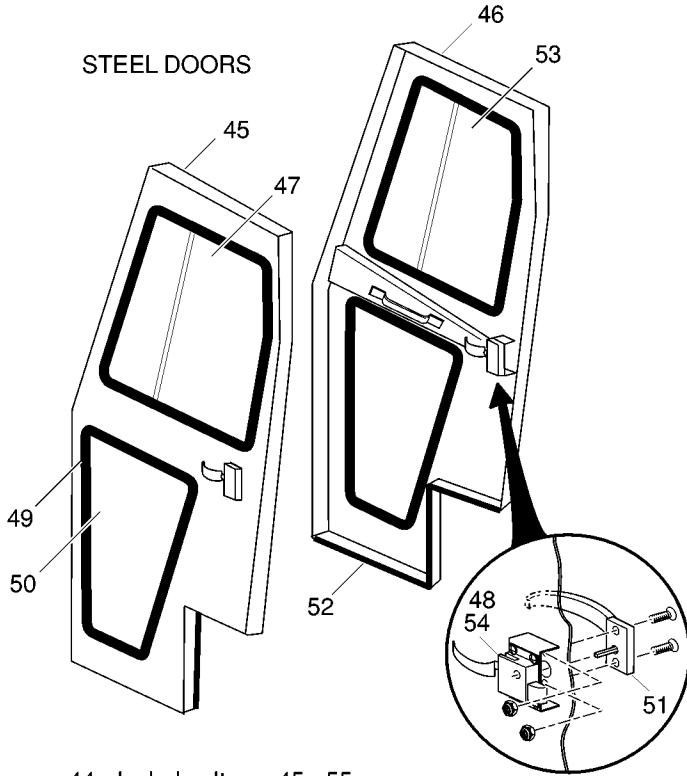
WINDSHIELD WIPER COMPONENTS

33 - Includes Items 34 - 42

34 - Includes Items 35 - 39

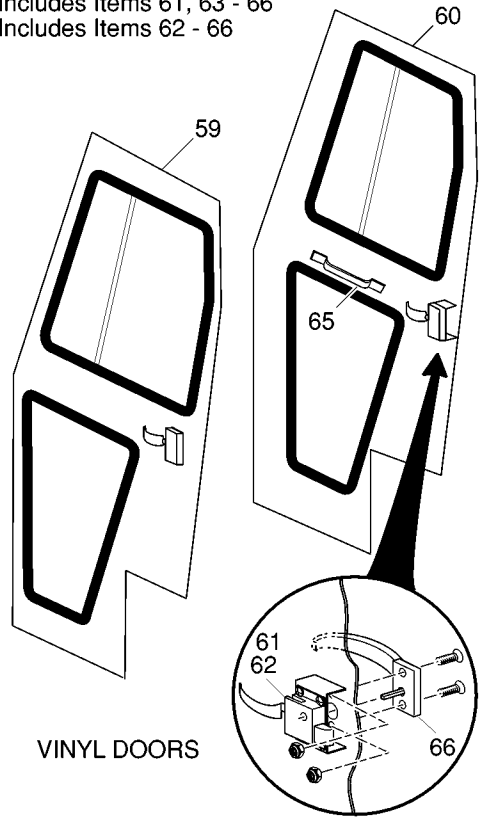


STEEL DOORS

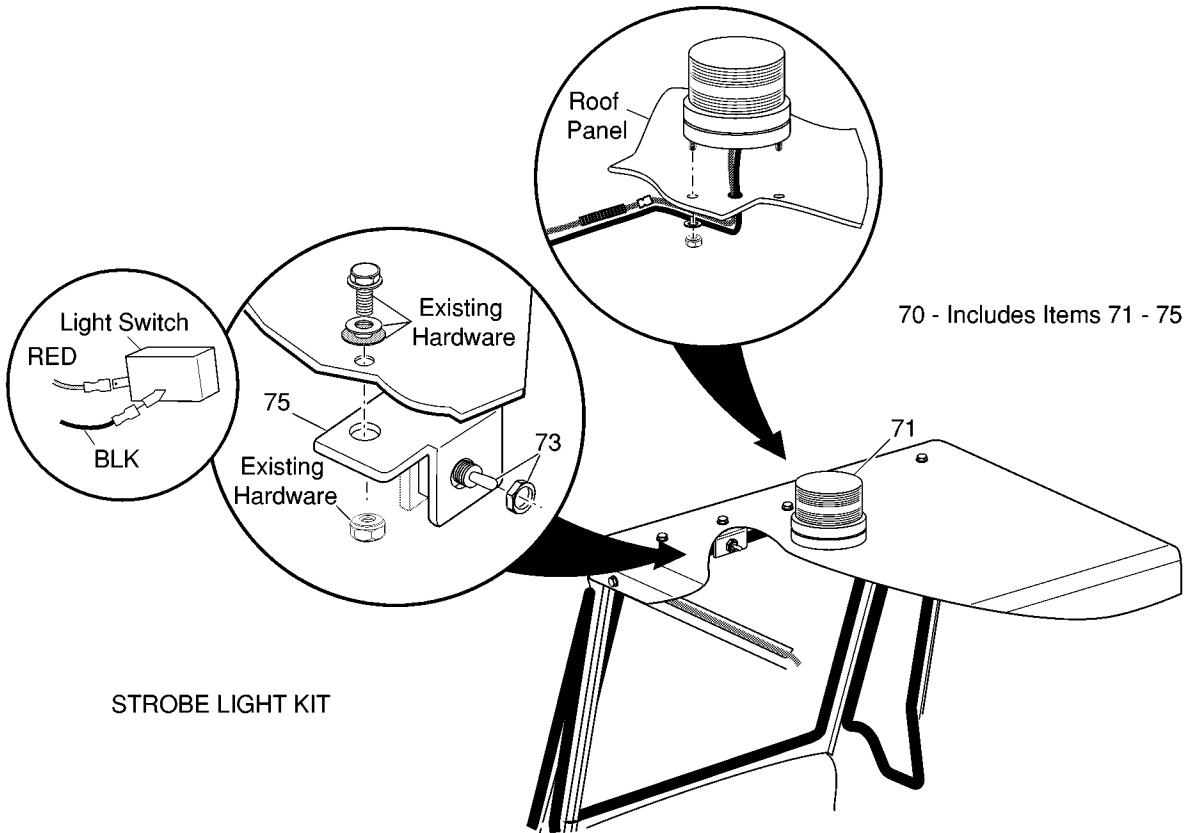


- 44 - Includes Items 45 - 55
- 45 - Includes Items 47 - 52
- 46 - Includes Items 49 - 54

- 58 - Includes Items 59 - 66
- 59 - Includes Items 61, 63 - 66
- 60 - Includes Items 62 - 66

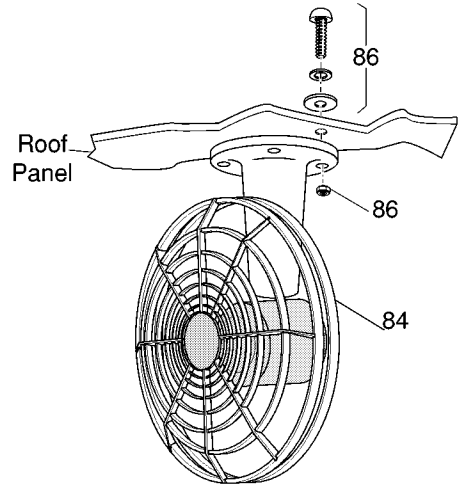
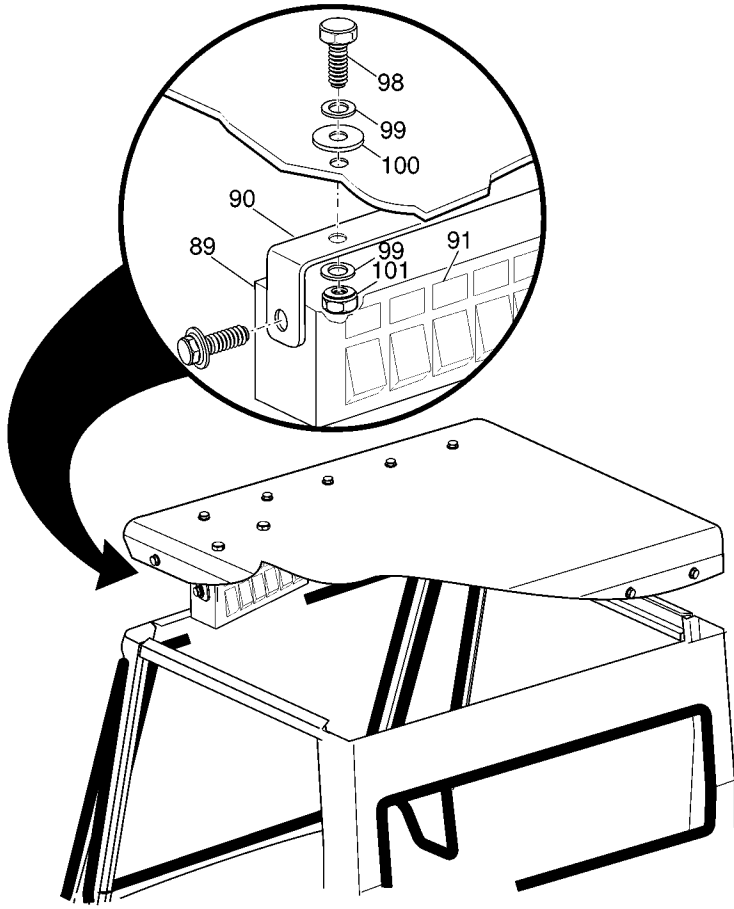


VINYL DOORS

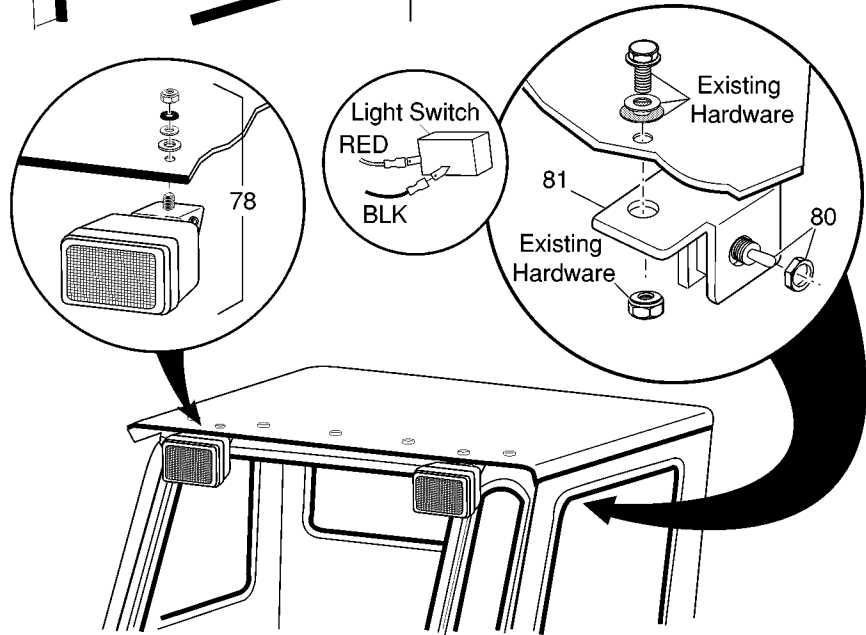


STROBE LIGHT KIT

SWITCH PANEL KIT
88 - Includes Items 89 - 103



DEFROSTER / COOLING FAN KIT
83 - Includes Items 84 - 86



WORKLIGHT KIT
77 - Includes Items 78 - 81

Replacement parts may be obtained from Curtis Tractor Cab Inc., 111 Higgins Street, Worcester, MA 01606. Telephone (508) 853-2200, or FAX (508) 854-3377.

* Indicates a component that is not available as an individual part.

| ITEM | PART NO. | 1 2 3 4 5 | DESCRIPTION | QTY. |
|------|------------|-----------|---|------|
| 1 | 74300-G0* | | STEEL CAB KIT (WITHOUT DOORS) (1000 MODEL) (INCL ITEMS 2 - 42)..... | 1 |
| 2 | 74300-G0*A | | ROOF PANEL | 1 |
| 3 | 74300-G0*B | | REAR PANEL | 1 |
| 4 | 74300-G0*C | | WINDSHIELD PANEL..... | 1 |
| 5 | 74300-G0*D | | FRONT CORNER PANEL (PASSENGER SIDE)..... | 1 |
| 6 | 74300-G0*E | | FRONT CORNER PANEL (DRIVER SIDE) | 1 |
| 7 | 74300-G0*F | | RECEIVER (DRIVER SIDE) | 1 |
| 8 | 74300-G0*G | | RECEIVER (PASSENGER SIDE)..... | 1 |
| 9 | 74300-G0*H | | LOWER MOUNTING BRACKET (DRIVER SIDE)..... | 1 |
| 10 | 74300-G0*I | | LOWER MOUNTING BRACKET (PASSENGER SIDE) | 1 |
| 11 | 70113-G01 | | ADJUSTABLE BUMPER..... | 2 |
| 12 | 1P004A | | FRONT PANEL COWL SEAL GASKET (85" LG) | 1 |
| 13 | 1P004D | | ROOF TRIM (50") | 1 |
| 14 | | | | |
| 15 | 6E03 | | FRONT WINDSHIELD MOUNTING GASKET..... | 1 |
| 16 | 6E03A | | BOLT, 3/8 - 16 X 7/8" LG..... | 44 |
| 17 | 6E03B | | LOCK NUT, 3/8 - 16..... | 44 |
| 18 | 6E03C | | WASHER, 3/8" | 44 |
| 19 | 6E03D | | NYLON WASHER, 3/8"..... | 26 |
| 20 | 6E03E | | FRONT WINDSHIELD GLASS | 1 |
| 21 | 6E03H | | FRONT CORNER PANEL MOUNTING GASKET | 2 |
| 22 | 6E03J | | REAR PANEL WINDOW MOUNTING GASKET | 1 |
| 23 | 6E03S | | ALLEN BUTTON HEAD BOLT..... | 4 |
| 24 | | | | |
| 25 | 6E03U | | BOLT, 1/4 - 20 X 1 1/2" LG..... | 4 |
| 26 | 6E03V | | NYLON SPACER, 1/4" | 4 |
| 27 | 6E03W | | WASHER, 5/16" | 4 |
| 28 | | | | |
| 29 | 6E05A | | FRONT CORNER PANEL WINDOW (PASSENGER SIDE)..... | 1 |
| 30 | 6E05B | | FRONT CORNER PANEL WINDOW (DRIVER SIDE) | 1 |



Replacement parts may be obtained from Curtis Tractor Cab Inc., 111 Higgins Street, Worcester, MA 01606. Telephone (508) 853-2200, or FAX (508) 854-3377.

* Indicates a component that is not available as an individual part.

| ITEM | PART NO. | 1 | 2 | 3 | 4 | 5 | DESCRIPTION | QTY. |
|------|------------|---|---|---|---|---|---|------|
| 31 | 6E05C | | | | | | REAR PANEL WINDOW | 1 |
| 32 | | | | | | | | |
| 33 | 74244-G01 | | | | | | WINDSHIELD WIPER KIT (INCLUDES ITEMS 34 - 42) | 1 |
| 34 | 9PWM85 | | | | | | WIPER MOTOR (INCLUDES ITEMS 35 - 39) | 1 |
| 35 | * | | | | | | SPACER | 1 |
| 36 | * | | | | | | SHAFT COVER (SEAL) | 1 |
| 37 | * | | | | | | NUT | 1 |
| 38 | * | | | | | | BOLT | 1 |
| 39 | * | | | | | | WASHER | 1 |
| 40 | 9PWA | | | | | | WIPER ARM | 1 |
| 41 | 9PWB | | | | | | WINDSHIELD WIPER BLADE | 1 |
| 42 | 9E003 | | | | | | ELECTRICAL HARDWARE KIT (NOT ILLUSTRATED) | 1 |
| 43 | | | | | | | | |
| 44 | 74301-G0* | | | | | | STEEL DOOR KIT (INCLUDES ITEMS 45 - 55) | 1 |
| 45 | 74301-G0*A | | | | | | STEEL DOOR (DRIVER SIDE) (INCLUDES ITEMS 47 - 52) | 1 |
| 46 | 74301-G0*B | | | | | | STEEL DOOR (PASSENGER SIDE) (INCLUDES ITEMS 49 - 54) | 1 |
| 47 | 6E05D | | | | | | SLIDING DOOR WINDOW ASSEMBLY (DRIVER SIDE) | 1 |
| 48 | 9DHSL | | | | | | INSIDE DOOR LATCH (DRIVER SIDE) | 1 |
| 49 | 6E03P | | | | | | LOWER DOOR WINDOW MOUNTING GASKET | 1 |
| 50 | 6E05F | | | | | | LOWER DOOR WINDOW | 1 |
| 51 | 9DHOS1 | | | | | | OUTSIDE DOOR HANDLE (KEY LOCKING) | 2 |
| 52 | 1P004B | | | | | | LOWER DOOR SEAL GASKET (43" LG) | 1 |
| 53 | 6E05E | | | | | | SLIDING DOOR WINDOW ASSEMBLY (PASSENGER SIDE) | 1 |
| 54 | 9DHSLR | | | | | | INSIDE DOOR LATCH (PASSENGER SIDE) | 1 |
| 55 | 1P004C | | | | | | DOOR SEAL GASKET (123" LG) | 2 |
| 56 | 9P001A | | | | | | REPLACEMENT DOOR HINGE KIT (NOT ILLUSTRATED) | A/R |
| 57 | | | | | | | | |
| 58 | 74242-G01 | | | | | | VINYL DOOR KIT (INCLUDES ITEMS 59 - 66) | 1 |
| 59 | 9DVK-L | | | | | | VINYL DOOR (DRIVER SIDE) (INCLUDES ITEMS 61, 63 - 66) | 1 |
| 60 | 9DVK-R | | | | | | VINYL DOOR (PASSENGER SIDE) (INCLUDES ITEMS 62 - 66) | 1 |



Replacement parts may be obtained from Curtis Tractor Cab Inc., 111 Higgins Street, Worcester, MA 01606. Telephone (508) 853-2200, or FAX (508) 854-3377.

* Indicates a component that is not available as an individual part.

| ITEM | PART NO. | 1 2 3 4 5 | DESCRIPTION | QTY. |
|------|-----------|-----------|--|------|
| 61 | 9DHSL | | INSIDE DOOR LATCH (DRIVER SIDE)..... | 1 |
| 62 | 9DHSLR | | INSIDE DOOR LATCH (PASSENGER SIDE) | 1 |
| 63 | 9DCK | | DOOR CHECK (NOT ILLUSTRATED) | 1 |
| 64 | 9DSTK1 | | DOOR STRIKER (NOT ILLUSTRATED) | 1 |
| 65 | 9DGH1 | | DOOR GRAB HANDLE | 1 |
| 66 | 9DHOS1 | | OUTSIDE DOOR HANDLE (KEY LOCKING) | 1 |
| 67 | 9PSSH | | REPLACEMENT DOOR HINGE (DRIVER SIDE) (NOT ILLUSTRATED)..... | 1 |
| 68 | 9PSSHR | | REPLACEMENT DOOR HINGE (PASSENGER SIDE) (NOT ILLUSTRATED) .. | 1 |
| 69 | | | | |
| 70 | 74245-G01 | | STROBE LIGHT KIT (INCLUDES ITEMS 71 - 75)..... | 1 |
| 71 | 9PSLRL | | STROBE LENS..... | 1 |
| 72 | 9E001 | | ELECTRICAL HARDWARE KIT (NOT ILLUSTRATED) | 1 |
| 73 | 9E002 | | TOGGLE SWITCH..... | 1 |
| 74 | 9PSLRB | | REPLACEMENT BULB (NOT ILLUSTRATED) | 1 |
| 75 | 9PB001 | | BRACKET | 1 |
| 76 | | | | |
| 77 | 74247-G01 | | WORK LIGHT KIT (INCLUDES ITEMS 78 - 81) | 1 |
| 78 | 9LW1A | | WORK LIGHT (INCLUDES HARDWARE)..... | 2 |
| 79 | 9E001 | | ELECTRICAL HARDWARE KIT (NOT ILLUSTRATED) | 1 |
| 80 | 9E002 | | TOGGLE SWITCH..... | 1 |
| 81 | 9PB001 | | BRACKET | 1 |
| 82 | | | | |
| 83 | 74248-G01 | | DEFROSTER / COOLING FAN KIT (INCLUDES ITEMS 84 - 86) | 1 |
| 84 | 9PDF | | FAN..... | 1 |
| 85 | 9E001 | | ELECTRICAL HARDWARE KIT (NOT ILLUSTRATED) | 1 |
| 86 | 9PFHK | | HARDWARE KIT | 1 |
| 87 | | | | |
| 88 | 74250-G01 | | SWITCH PANEL KIT (INCLUDES ITEMS 89 - 103) | 1 |
| 89 | 9PSF1-001 | | SWITCH PANEL | 1 |
| 90 | 9PSF1-002 | | MOUNTING BRACKET AND HARDWARE | 1 |

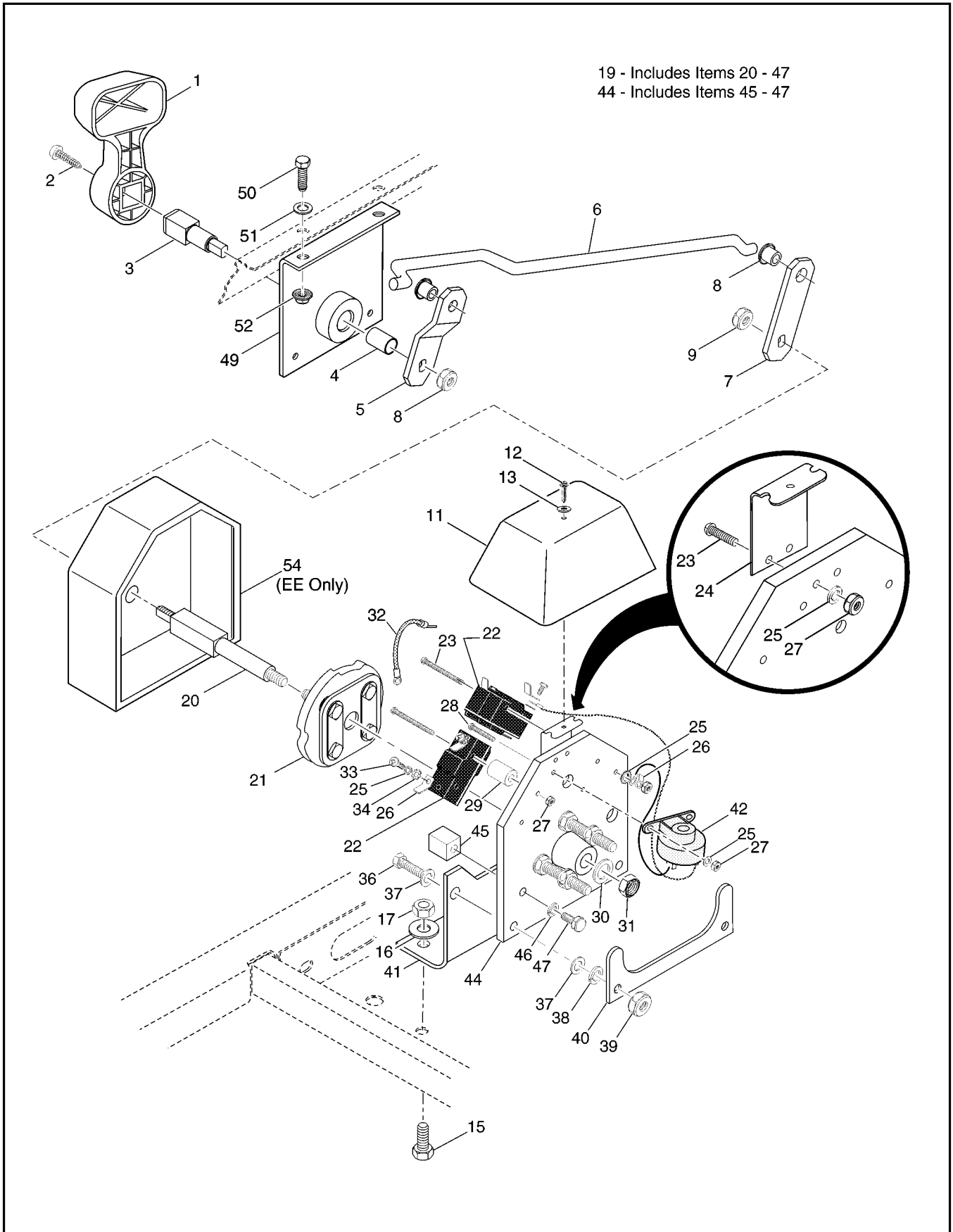


Replacement parts may be obtained from Curtis Tractor Cab Inc., 111 Higgins Street, Worcester, MA 01606. Telephone (508) 853-2200, or FAX (508) 854-3377.

* Indicates a component that is not available as an individual part.

| ITEM | PART NO. | 1 | 2 | 3 | 4 | 5 | DESCRIPTION | QTY. |
|------|------------|---|---|---|---|---|--|------|
| 91 | 9PSF1-003 | | | | | | ADHESIVE LABELS..... | 1 |
| 92 | 9PSF1-004 | | | | | | 3 AMP FUSE (NOT ILLUSTRATED) | 2 |
| 93 | 9PSF1-005 | | | | | | 5 AMP FUSE (NOT ILLUSTRATED) | 3 |
| 94 | 9PSF1-006 | | | | | | 7.5 AMP FUSE (NOT ILLUSTRATED) | 1 |
| 95 | 9PSF1-007 | | | | | | FLEX LOOM, 5/8" X 10 FT LG (NOT ILLUSTRATED) | 1 |
| 96 | 9PSF1-008 | | | | | | 4-WAY BASE TIE (NOT ILLUSTRATED) | 6 |
| 97 | 9PSF1-009 | | | | | | WIRE TIE (NOT ILLUSTRATED)..... | 14 |
| 98 | 9PSF1-010 | | | | | | BOLT, 1/4 - 20 X 7/8" LG | 2 |
| 99 | 9PSF1-011 | | | | | | WASHER, 1/4" | 4 |
| 100 | 9PSF1-012 | | | | | | NYLON WASHER, 1/4" | 2 |
| 101 | 9PSF1-013 | | | | | | LOCK NUT, 1/4-20..... | 2 |
| 102 | 9PSF1-014 | | | | | | 10 GA WIRE (RED, 8" LG) (NOT ILLUSTRATED) | 1 |
| 103 | 9PSF1-015 | | | | | | 10 GA WIRE (BLACK, 8" LG) (NOT ILLUSTRATED)..... | 1 |
| 104 | | | | | | | | |
| 105 | 74294-G0* | | | | | | STEEL CAB KIT (WITHOUT DOORS) (1000 LX MODEL) (INCLUDES ITEMS 2 - 3, 7 - 42, 106 - 108) | 1 |
| 106 | 74294-G0*C | | | | | | WINDSHIELD PANEL..... | 1 |
| 107 | 74294-G0*D | | | | | | FRONT CORNER PANEL (PASSENGER SIDE) | 1 |
| 108 | 74294-G0*E | | | | | | FRONT CORNER PANEL (DRIVER SIDE) | 1 |





THE USE OF NON UL PARTS WILL VOID ANY UL LISTING.

When ordering parts, please specify the model and serial number of the product.

* Indicates a component that is not available as an individual part.

G** Indicates consult Customer Service Department for additional information.

| ITEM | PART NO. | 1 2 3 4 5 | DESCRIPTION | QTY. |
|------|-----------|-----------|--|------|
| 1 | 71205-G01 | | DIRECTION SELECTOR HANDLE | 1 |
| 2 | 00740-G4 | | SCREW, #10 - 32 X 1/2" LG. | 1 |
| 3 | 70233-G01 | | DIRECTION SELECTOR SHAFT..... | 1 |
| 4 | 25664-G2 | | BUSHING..... | 1 |
| 5 | 70334-G01 | | OFFSET SHIFT LINKAGE ARM | 1 |
| 6 | 70313-G01 | | LINKAGE ROD..... | 1 |
| 7 | 70232-G03 | | SHIFT LINKAGE ARM | 1 |
| 8 | 22754-G3 | | BUSHING..... | 2 |
| 9 | 14390-G1 | | LOCK NUT, 3/8 - 24 | 2 |
| 10 | | | | |
| 11 | 73049-G01 | | COVER | 1 |
| 12 | 00114-G6 | | SCREW, 1/4 - 14 x 3/4" LG..... | 1 |
| 13 | 16469-G7 | | WASHER, 1/4" | 1 |
| 14 | | | | |
| 15 | 00438-G6 | | BOLT, 5/16 - 18 X 3/4" LG..... | 2 |
| 16 | 00571-G2 | | WASHER, 5/16" | 2 |
| 17 | 11098-G6 | | LOCK NUT, 5/16 - 18 | 2 |
| 18 | | | | |
| 19 | 73036-G01 | | DIRECTION SELECTOR ASSEMBLY (INCLUDES ITEMS 20 - 47) | 1 |
| 20 | 73027-G01 | | DIRECTION SELECTOR SHAFT | 1 |
| 21 | 12835-G1 | | CAM..... | 1 |
| 22 | 10606-G2 | | MICRO SWITCH..... | 2 |
| 23 | 00139-G8 | | SCREW, #6 - 32 X 2" LG..... | 4 |
| 24 | 73048-G01 | | COVER BRACKET | 1 |
| 25 | 00565-G3 | | LOCK WASHER, #6 | 8 |
| 26 | 14628-G1 | | FASTON TAB..... | 4 |
| 27 | 00525-G5 | | NUT, #6 - 32..... | 8 |
| 28 | 00138-G6 | | SCREW, #6 - 32 X 3/4" LG..... | 3 |
| 29 | 12806-G1 | | SPACER | 4 |
| 30 | 00560-G1 | | WASHER, 3/8" | 1 |



DIRECTION SELECTOR**Electric Vehicle**

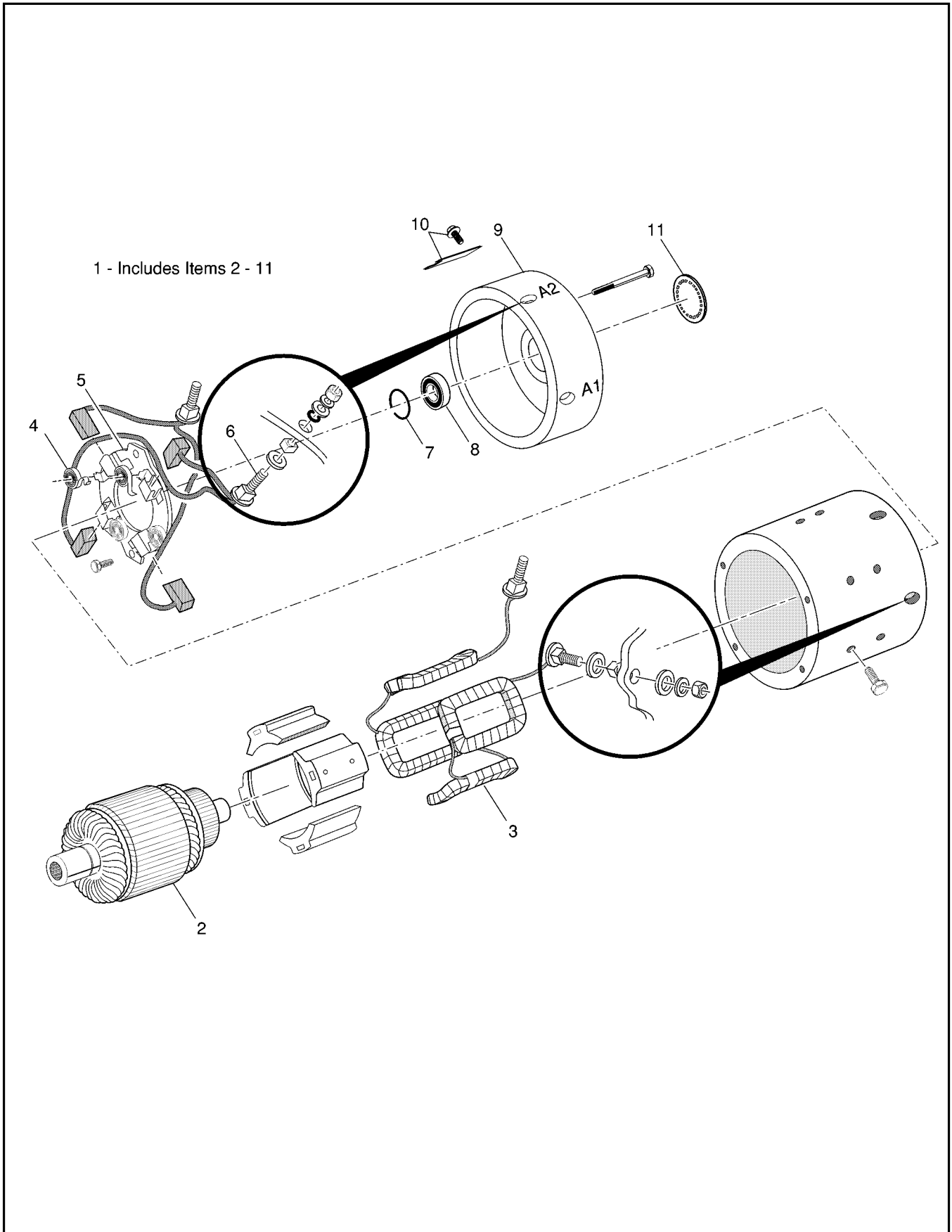
THE USE OF NON UL PARTS WILL VOID ANY UL LISTING.

When ordering parts, please specify the model and serial number of the product.

* Indicates a component that is not available as an individual part.

G** Indicates consult Customer Service Department for additional information.

| ITEM | PART NO. | 1 | 2 | 3 | 4 | 5 | DESCRIPTION | QTY. |
|------|-----------|---|---|---|---|---|---|------|
| 31 | 14390-G1 | | | | | | LOCK NUT, 3/8 - 24 | 2 |
| 32 | 25978-G37 | | | | | | 18 GA WIRE (RED 6") | 1 |
| 33 | * | | | | | | SCREW..... | 4 |
| 34 | 00567-G3 | | | | | | LOCK WASHER, #6 | 4 |
| 35 | | | | | | | | |
| 36 | 00414-G8 | | | | | | BOLT, 1/4 - 20 X 1" LG..... | 2 |
| 37 | 00559-G7 | | | | | | WASHER, 1/4" | 4 |
| 38 | 00565-G7 | | | | | | LOCK WASHER, 1/4" | 2 |
| 39 | 00532-G1 | | | | | | NUT, 1/4 - 20..... | 2 |
| 40 | 15461-G1 | | | | | | SUPPORT BRACKET..... | 1 |
| 41 | 73031-G01 | | | | | | DIRECTION SELECTOR MOUNTING BRACKET | 1 |
| 42 | 73290-G02 | | | | | | REVERSE WARNING BUZZER | 1 |
| 43 | | | | | | | | |
| 44 | 14651-G1 | | | | | | CONTACT BOARD ASSEMBLY (INCLUDES ITEMS 45 - 47) | 1 |
| 45 | 24940-G1 | | | | | | STOP | 2 |
| 46 | 00565-G7 | | | | | | LOCK WASHER, 1/4" | 2 |
| 47 | 00414-G6 | | | | | | BOLT, 1/4 - 20 X 3/4" LG. | 2 |
| 48 | | | | | | | | |
| 49 | 70444-G01 | | | | | | BRACKET | 1 |
| 50 | 28272-G01 | | | | | | BOLT, 1/4 - 20 X 5/8" LG | 2 |
| 51 | 00559-G7 | | | | | | WASHER, 1/4" | 2 |
| 52 | 11027-G2 | | | | | | LOCK NUT, 1/4 - 20 | 2 |



THE USE OF NON UL PARTS WILL VOID ANY UL LISTING.

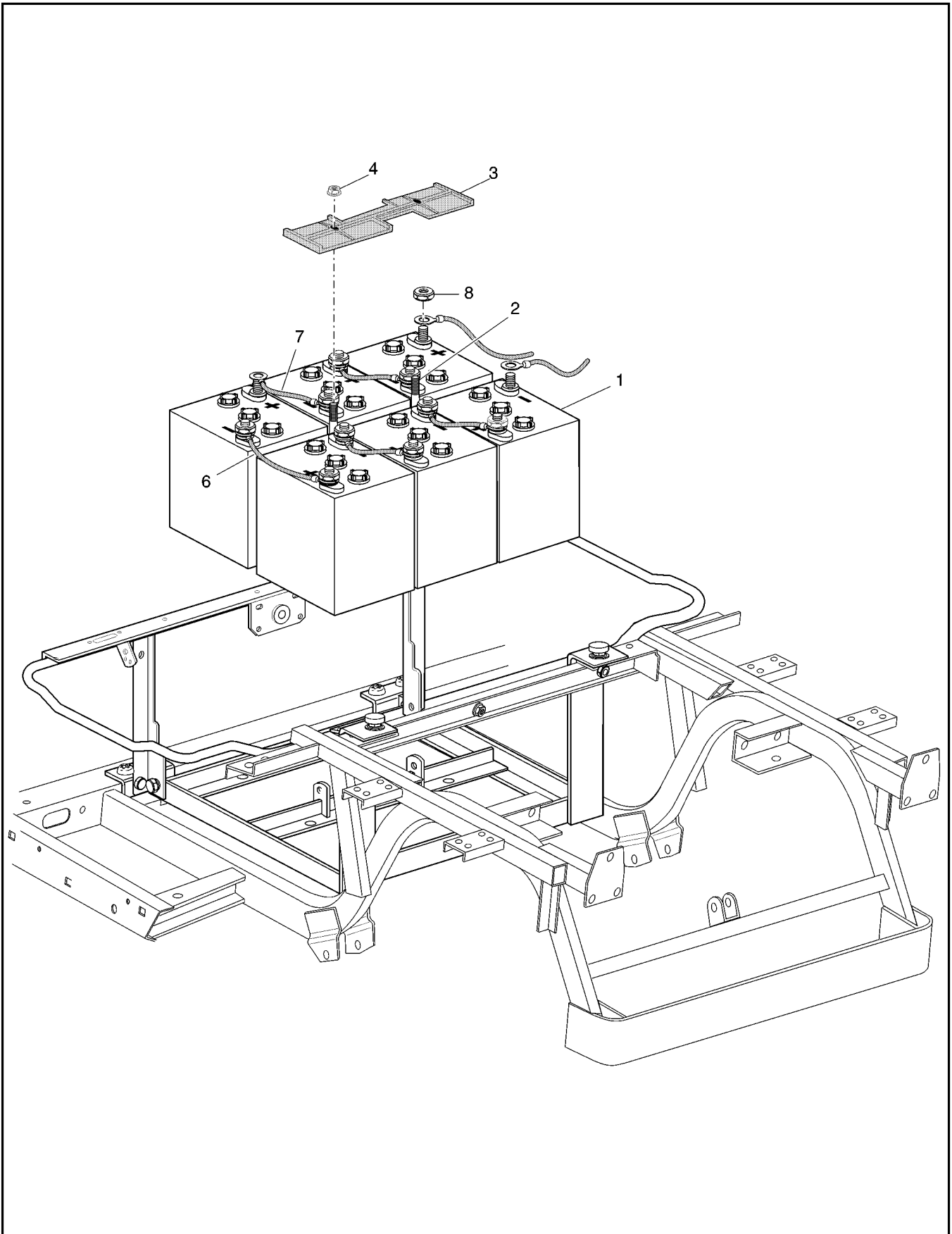
When ordering parts, please specify the model and serial number of the product.

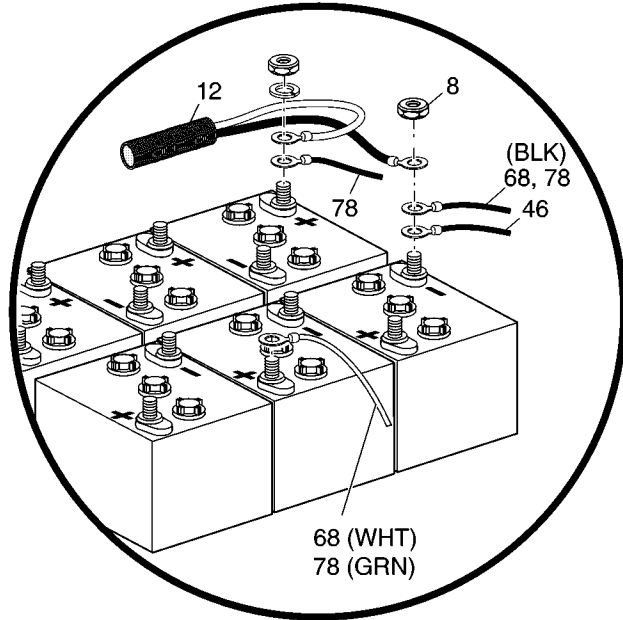
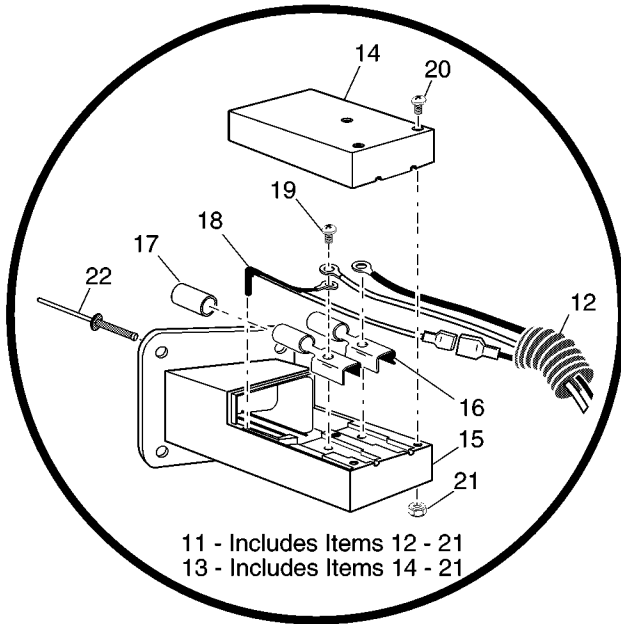
* Indicates a component that is not available as an individual part.

G** Indicates consult Customer Service Department for additional information.

| ITEM | PART NO. | 1 | 2 | 3 | 4 | 5 | DESCRIPTION | QTY. | |
|------|-----------|--|---|---|---|---|-------------|------|---|
| 1 | 73124-G02 | MOTOR, FLEET SPEED, NON-VENTED (INCLUDES ITEMS 2 - 11) | | | | | | | 1 |
| 2 | 73120-G01 | ARMATURE | | | | | | | 1 |
| 3 | 73120-G11 | FIELD COIL KIT (INCLUDES HARDWARE) | | | | | | | 1 |
| 4 | 73120-G03 | BRUSH SPRING | | | | | | | 4 |
| 5 | 73120-G15 | BRUSH PLATE AND BOX | | | | | | | 1 |
| 6 | 73120-G05 | BRUSH REPLACEMENT KIT (INCLUDES HARDWARE) | | | | | | | 1 |
| 7 | 73120-G06 | SNAP RING | | | | | | | 1 |
| 8 | 73120-G07 | BEARING | | | | | | | 1 |
| 9 | 73120-G08 | COVER COMMUTATOR END | | | | | | | 1 |
| 10 | 73120-G09 | COVER PLATE AND SCREW | | | | | | | 1 |
| 11 | 73120-G10 | CAP | | | | | | | 1 |

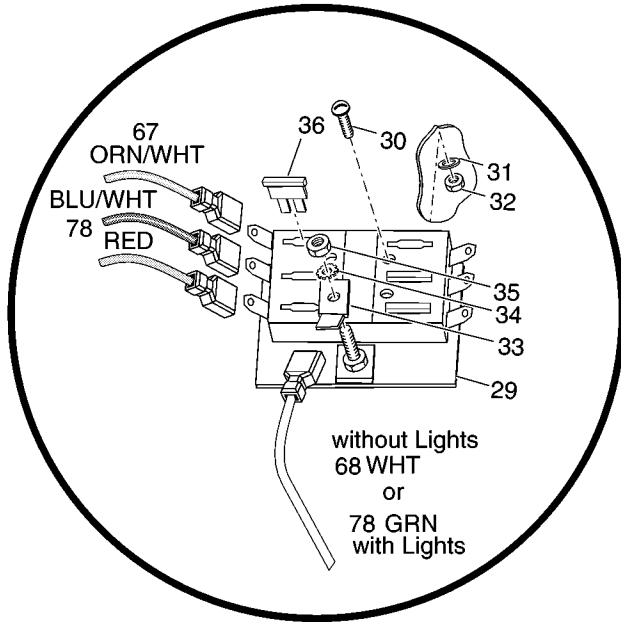
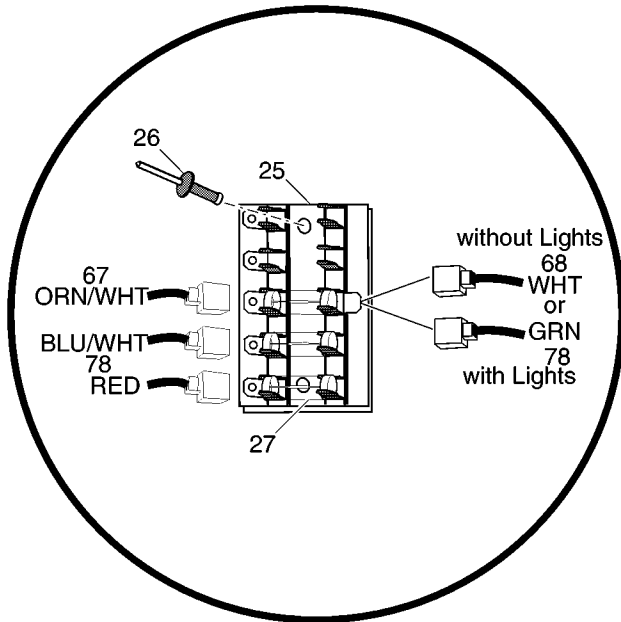


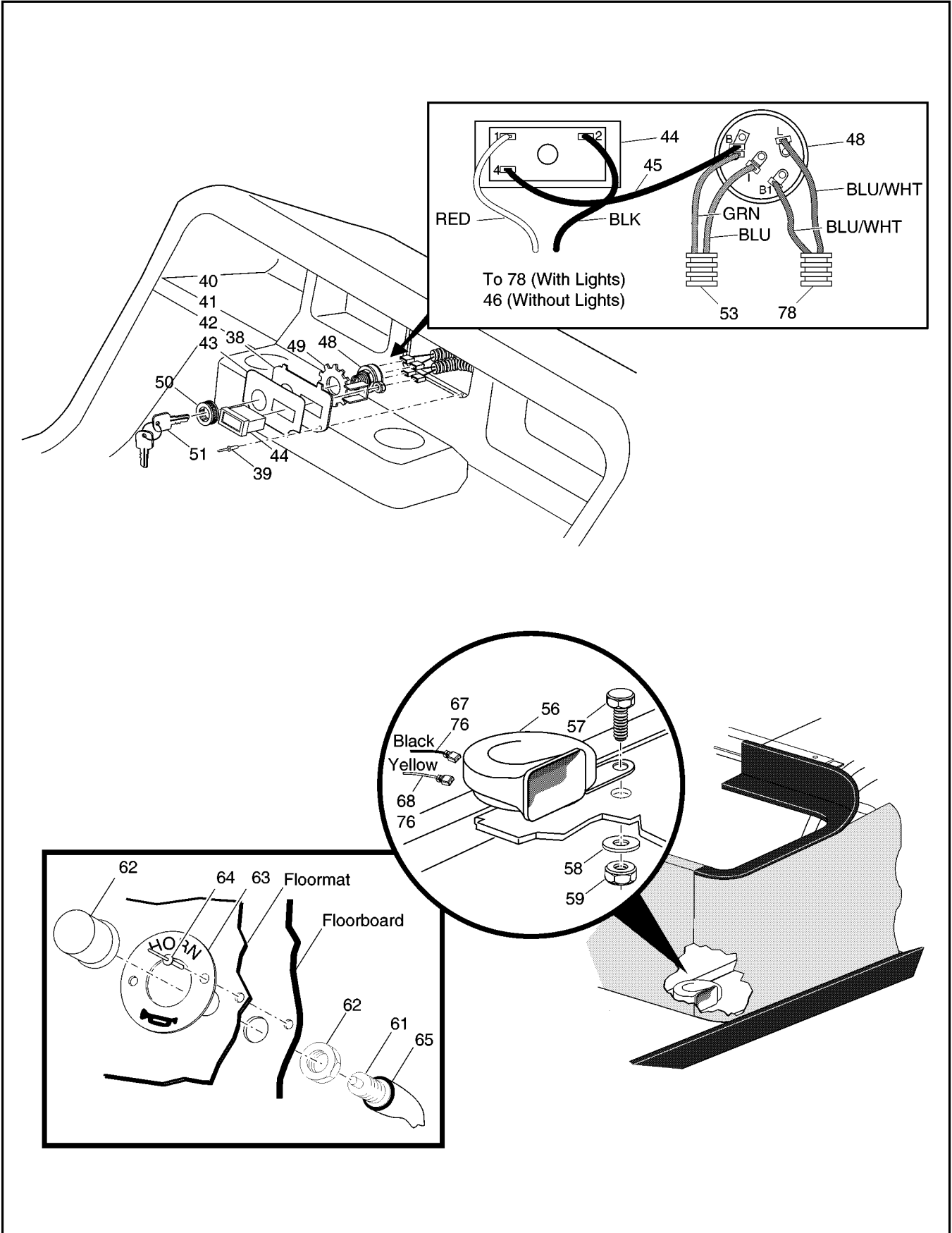


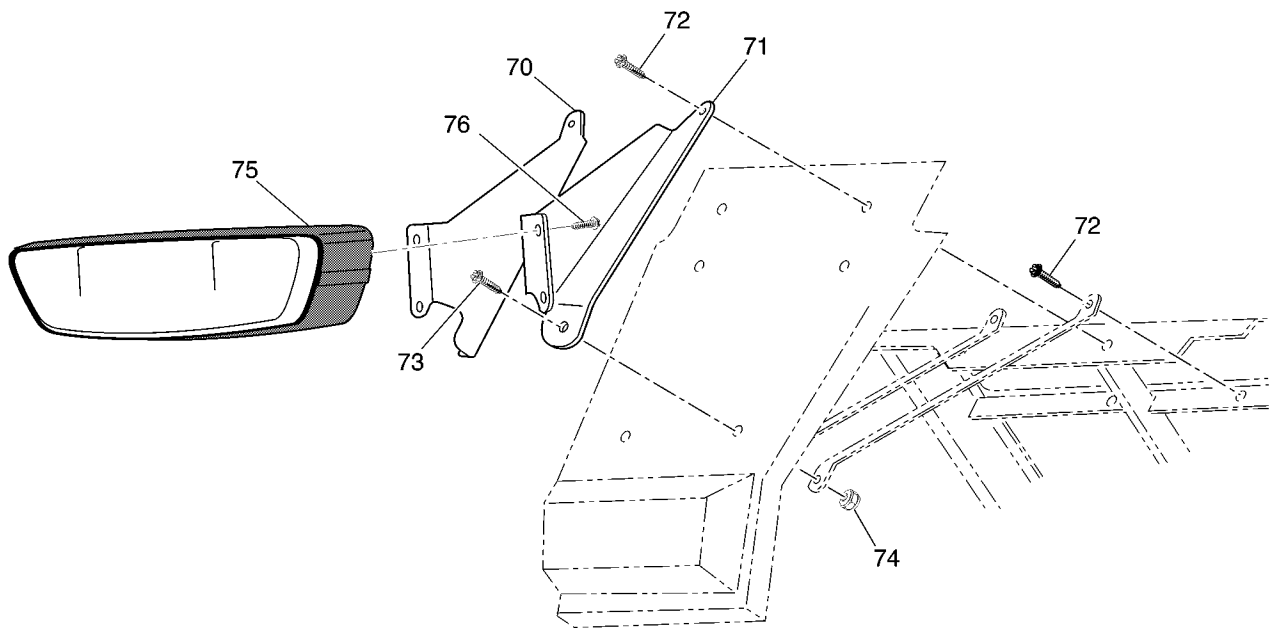
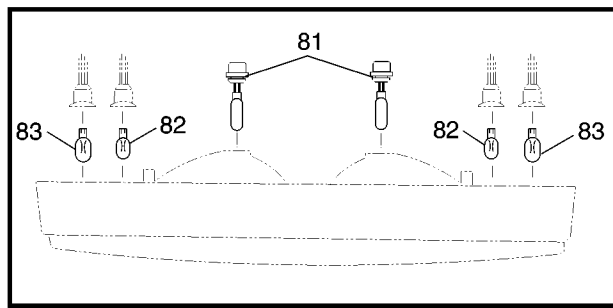
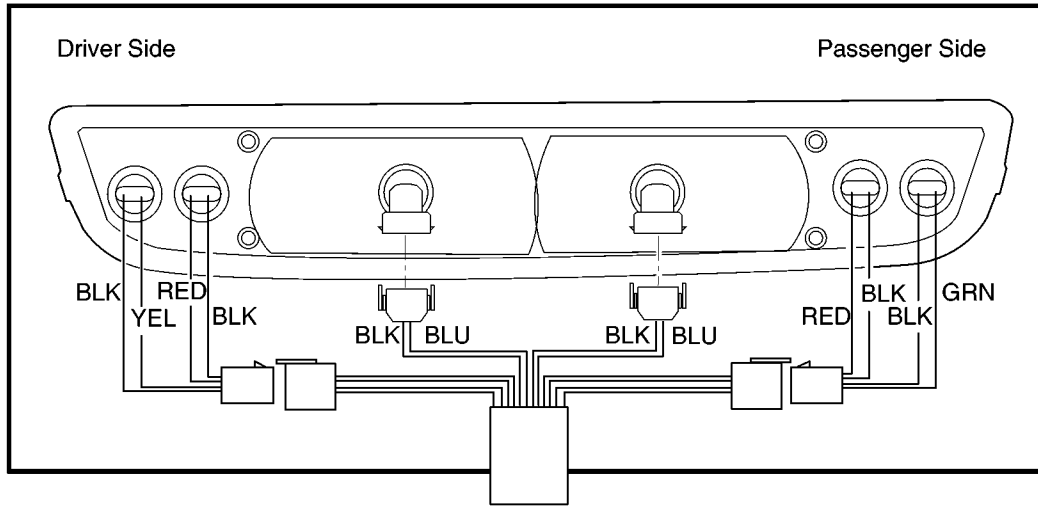


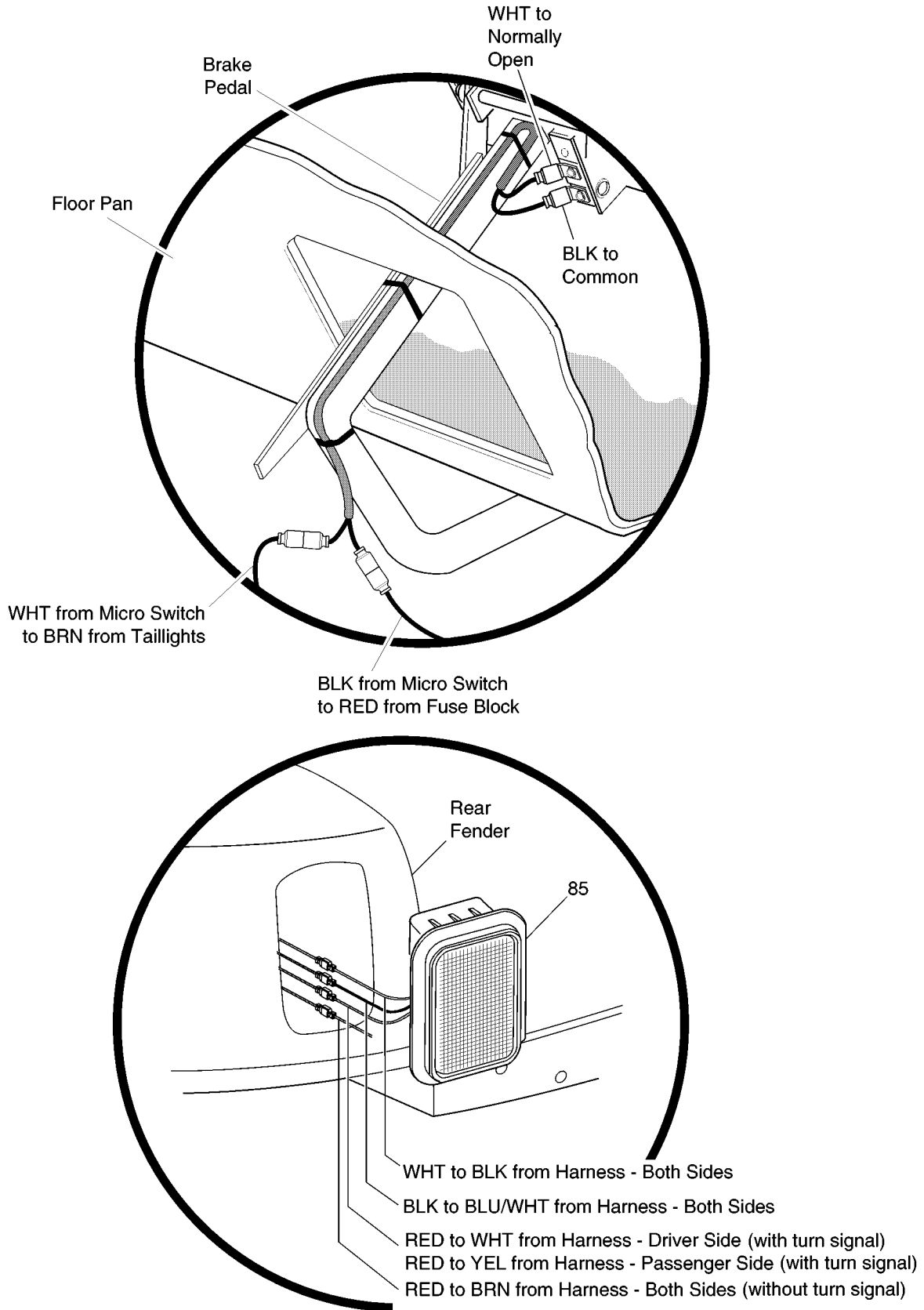
WORKHORSE 1000

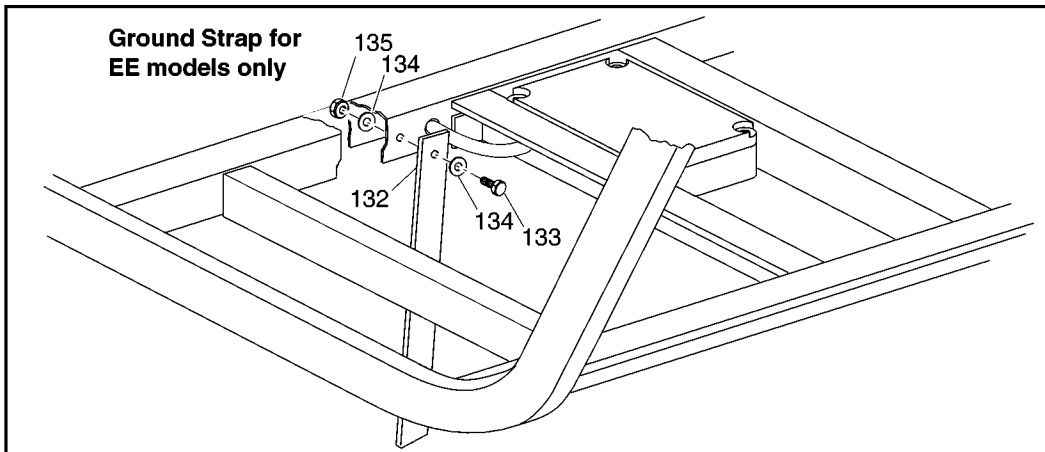
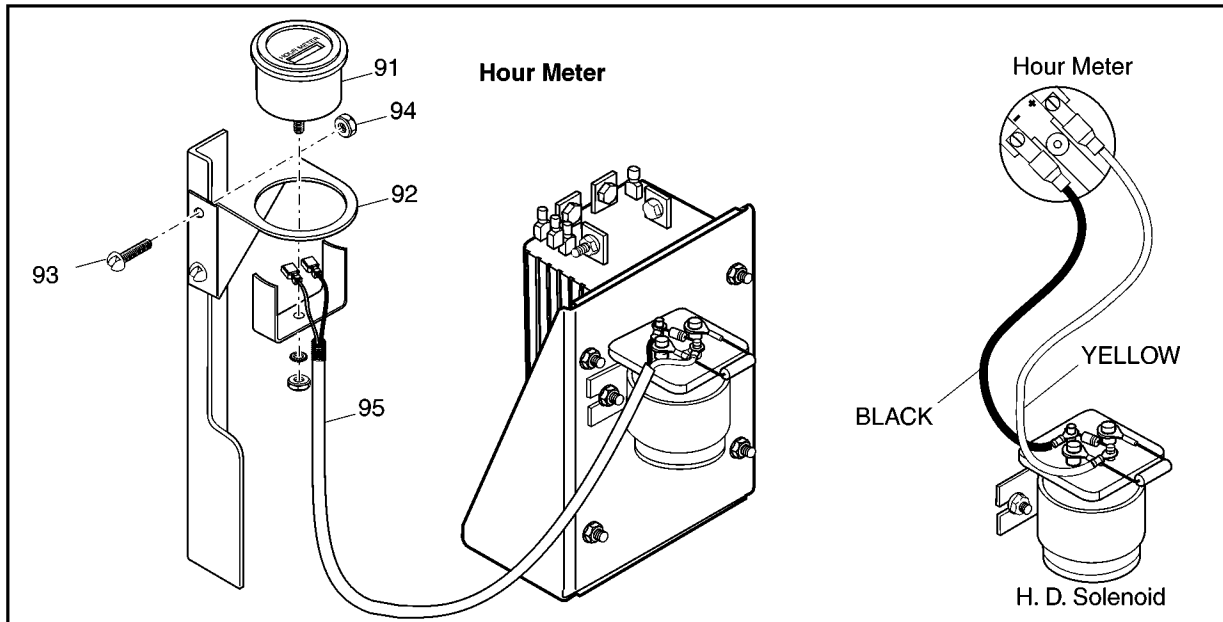
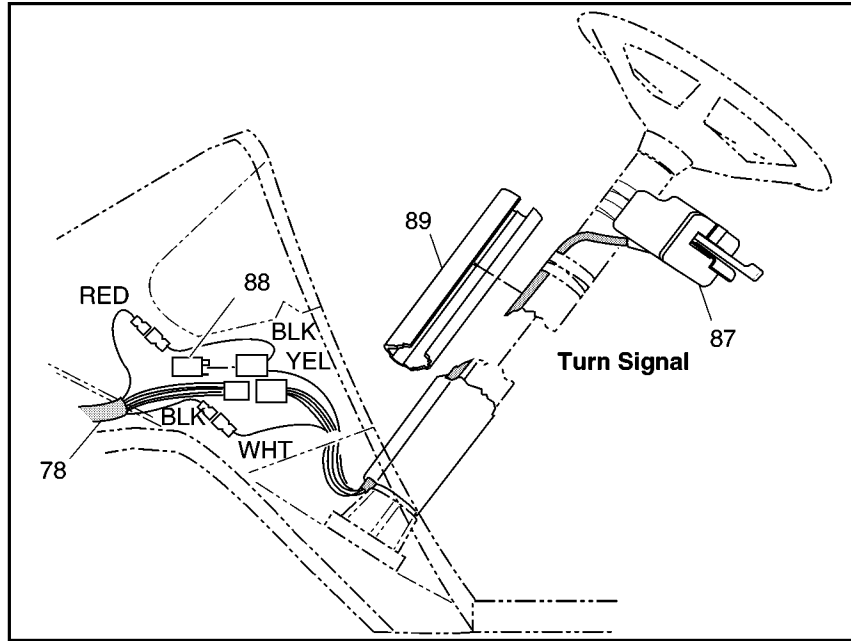
WORKHORSE 1000 LX



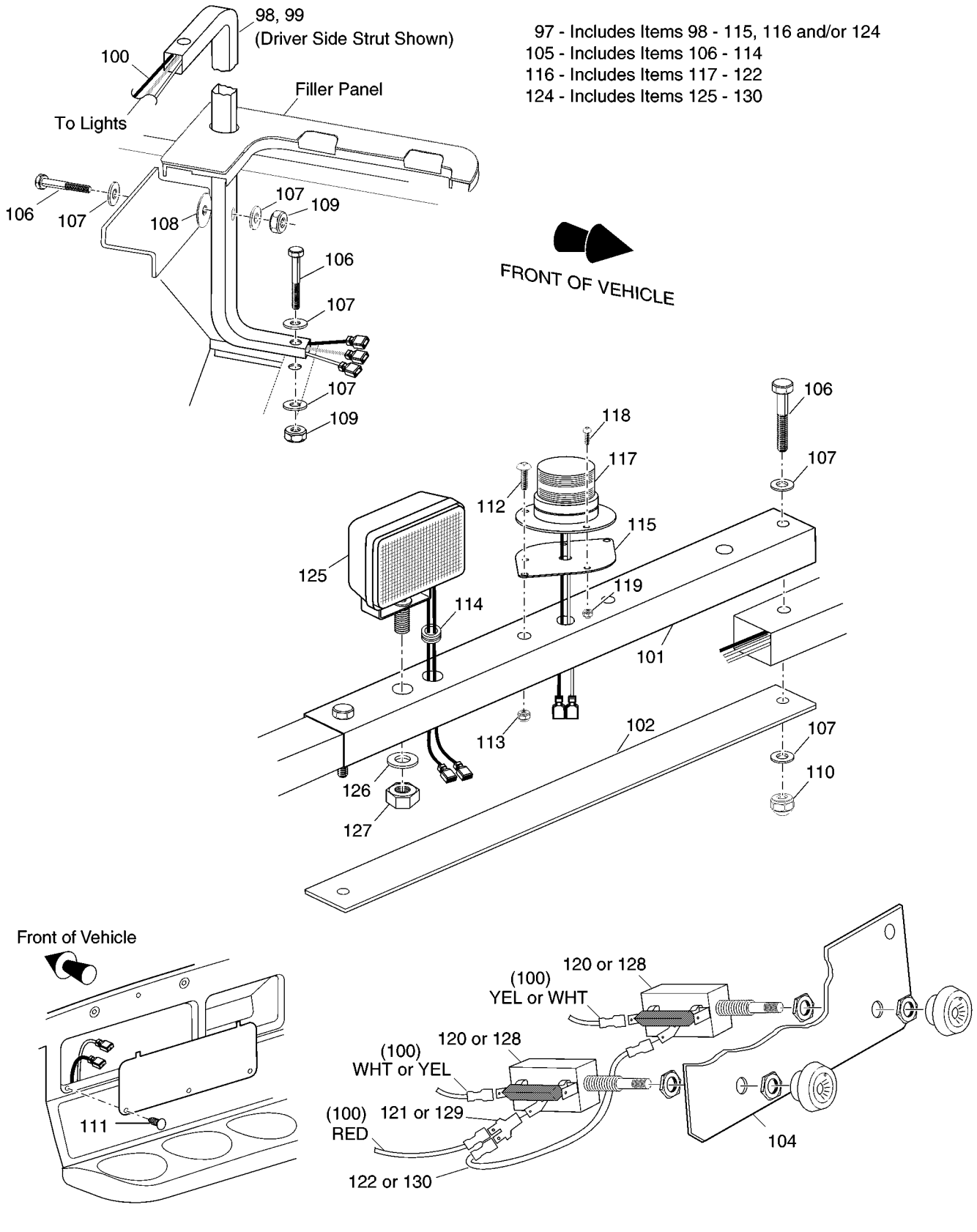


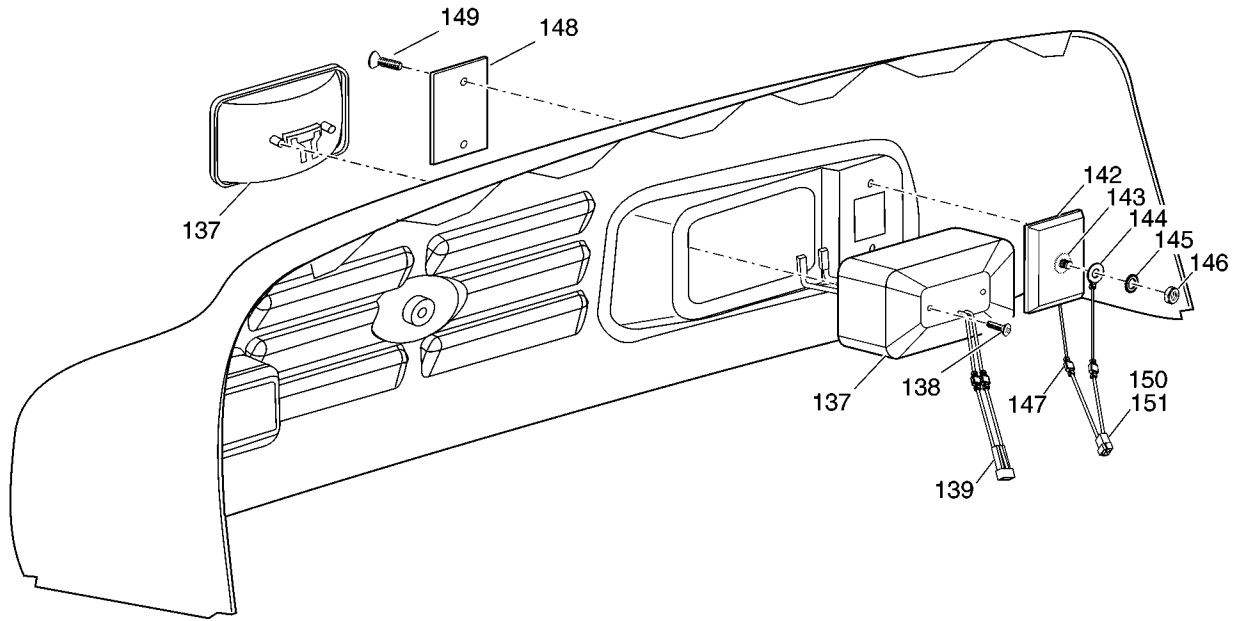






Work And Strobe Lights





ELECTRICAL SYSTEM**Electric Vehicle**

THE USE OF NON UL PARTS WILL VOID ANY UL LISTING.

When ordering parts, please specify the model and serial number of the product.

* Indicates a component that is not available as an individual part.

G** Indicates consult Customer Service Department for additional information.

| ITEM | PART NO. | 1 2 3 4 5 | DESCRIPTION | QTY. |
|------|-----------|-----------|---|------|
| 1 | XXXXX-G** | | BATTERY (6 VOLT)..... | 6 |
| 2 | 70121-G01 | | HOLD DOWN BOLT | 2 |
| 3 | 70045-G01 | | BATTERY RETAINER | 1 |
| 4 | 11027-G1 | | LOCK NUT, 5/16 - 18 | 2 |
| 5 | | | | |
| 6 | 25972-G32 | | 6 GA WIRE (BLACK 10 1/2") | 1 |
| 7 | 25972-G40 | | 6 GA WIRE (BLACK 6") | 4 |
| 8 | 00702-G2 | | NUT, 5/16 - 18 | 12 |
| 9 | | | | |
| 10 | | | | |
| 11 | 73063-G01 | | CHARGER WIRE HARNESS/RECEPTACLE ASSEMBLY (PORTABLE CHARGER) (INCLUDES ITEMS 12 - 21) | 1 |
| 12 | 73082-G01 | | CHARGER HARNESS..... | 1 |
| 13 | 73051-G01 | | WIRE HARNESS (CHARGER RECEPTACLE)(INCLUDES ITEMS 14 - 21) | 1 |
| 14 | 73051-G03 | | RECEPTACLE COVER | 1 |
| 15 | 73051-G04 | | RECEPTACLE BOTTOM | 1 |
| 16 | 73051-G05 | | FEMALE CONTACT | 2 |
| 17 | 73051-G06 | | INSULATOR SLEEVE | 1 |
| 18 | 73051-G18 | | REED SWITCH | 1 |
| 19 | 73051-G08 | | SCREW, #10 - 32 X 1/2" LG. (BRASS, BINDING HEAD) | 2 |
| 20 | 73051-G09 | | SCREW, #6 - 32 X 1 3/4" LG. (STAINLESS STEEL) | 3 |
| 21 | 73051-G10 | | LOCK NUT, #6-32 | 3 |
| 22 | 14601-G10 | | RIVET, 5/32" X 7/16" LG | 4 |
| 23 | 17618-G1 | | WIRE TIE (NOT ILLUSTRATED) | 3 |
| 24 | | | | |
| 25 | 22674-G1 | | FUSE BLOCK..... | 1 |
| 26 | 71010-G01 | | RIVET, 5/32" X 3/8" LG | 2 |
| 27 | 18392-G1 | | FUSE, 15 AMP | 3 |
| 28 | | | | |
| 29 | 35211-G01 | | FUSE BLOCK..... | 1 |

THE USE OF NON UL PARTS WILL VOID ANY UL LISTING.

When ordering parts, please specify the model and serial number of the product.

* Indicates a component that is not available as an individual part.

G** Indicates consult Customer Service Department for additional information.

| ITEM | PART NO. | 1 | 2 | 3 | 4 | 5 | DESCRIPTION | QTY. |
|------|-----------|---|---|---|---|---|---|------|
| 30 | 00379-G2 | | | | | | SCREW, #10 - 24 X 1 1/4" LG | 2 |
| 31 | 00559-G5 | | | | | | WASHER, #10..... | 2 |
| 32 | 14390-G10 | | | | | | LOCK NUT, #10 - 24 | 2 |
| 33 | 12914-G1 | | | | | | FASTON TAB | 1 |
| 34 | 00567-G5 | | | | | | LOCK WASHER, #10..... | 1 |
| 35 | 00526-G4 | | | | | | NUT, #10 - 32..... | 1 |
| 36 | 35212-G01 | | | | | | FUSE, 15 AMP | 3 |
| 37 | | | | | | | | |
| 38 | 73030-G** | | | | | | INSTRUMENT PANEL PLATE INSERT | 1 |
| 39 | 33623-G02 | | | | | | DRIVE RIVET, 3/16 X 3/8" LG..... | 2 |
| 40 | 71181-G01 | | | | | | DECAL (WITH LIGHTS)..... | 1 |
| 41 | 71181-G02 | | | | | | DECAL (WITHOUT LIGHTS) | 1 |
| 42 | 71129-G01 | | | | | | DECAL (WITH LIGHTS AND STATE OF CHARGE METER) | 1 |
| 43 | 71123-G01 | | | | | | DECAL (WITHOUT LIGHTS, WITH STATE OF CHARGE METER)..... | 1 |
| 44 | 33636-G01 | | | | | | STATE OF CHARGE METER | 1 |
| 45 | 25978-G74 | | | | | | 18 GA WIRE (RED 6") | 1 |
| 46 | 74018-G01 | | | | | | STATE OF CHARGE METER HARNESS..... | 1 |
| 47 | | | | | | | | |
| 48 | 33639-G** | | | | | | IGNITION SWITCH (WITH LIGHTS) | 1 |
| 49 | 00568-G6 | | | | | | LOCK WASHER, 3/4" | 1 |
| 50 | 17137-G1 | | | | | | FACE NUT, 3/4 - 20..... | 1 |
| 51 | 17063-G1 | | | | | | IGNITION KEY (SET)..... | A/R |
| 52 | | | | | | | | |
| 53 | 73041-G01 | | | | | | IGNITION SWITCH HARNESS..... | 1 |
| 54 | 17618-G1 | | | | | | WIRE TIE (NOT ILLUSTRATED) | 1 |
| 55 | | | | | | | | |
| 56 | 32860-G1 | | | | | | HORN..... | 1 |
| 57 | 00414-G5 | | | | | | BOLT, 1/4 - 20 X 5/8" LG..... | 1 |
| 58 | 00559-G8 | | | | | | WASHER, 5/16" | 1 |
| 59 | 00891-G2 | | | | | | LOCK NUT, 1/4 - 20 | 1 |



ELECTRICAL SYSTEM**Electric Vehicle**

THE USE OF NON UL PARTS WILL VOID ANY UL LISTING.

When ordering parts, please specify the model and serial number of the product.

* Indicates a component that is not available as an individual part.

G** Indicates consult Customer Service Department for additional information.

| ITEM | PART NO. | 1 2 3 4 5 | DESCRIPTION | QTY. |
|------|-----------|-----------|---|------|
| 60 | | | | |
| 61 | 17318-G1 | | HORN SWITCH (INCLUDES ITEM 62) | 1 |
| 62 | 17318-G2 | | BUTTON AND NUT | 1 |
| 63 | 19233-G1 | | HORN SWITCH PLATE..... | 1 |
| 64 | 71055-G01 | | RIVET, 3/16 X 1" LG (STAINLESS STEEL) | 2 |
| 65 | 27068-G01 | | HORN SWITCH BOOT | 1 |
| 66 | | | | |
| 67 | 73214-G01 | | WIRE HARNESS (HORN)..... | 1 |
| 68 | 73213-G01 | | WIRE HARNESS..... | 1 |
| 69 | | | | |
| 70 | 74236-G01 | | LIGHT BAR MOUNTING BRACKET (PASSENGER SIDE) | 1 |
| 71 | 74236-G02 | | LIGHT BAR MOUNTING BRACKET (DRIVER SIDE) | 1 |
| 72 | 01038-G01 | | SCREW, 1/4 - 20 X 1/2" LG..... | 4 |
| 73 | 00414-G6 | | BOLT, 1/4 - 20 X 3/4" LG..... | 2 |
| 74 | 11027-G2 | | LOCK NUT, 1/4 - 20 | 2 |
| 75 | 74001-G01 | | LIGHT BAR | 1 |
| 76 | 00114-G6 | | SCREW, 1/4 - 14 X 3/4" LG..... | 4 |
| 77 | | | | |
| 78 | 73043-G01 | | WIRE HARNESS (ACCESSORY)..... | 1 |
| 79 | 17618-G1 | | WIRE TIE (NOT ILLUSTRATED) | 10 |
| 80 | | | | |
| 81 | 74004-G01 | | HEADLIGHT BULB (REPLACEMENT) | A/R |
| 82 | 74005-G01 | | MARKER LIGHT BULB (REPLACEMENT)..... | A/R |
| 83 | 74006-G01 | | TURN LIGHT BULB (REPLACEMENT) | A/R |
| 84 | | | | |
| 85 | 32739-G2 | | STOP/TAIL LIGHT | 2 |
| 86 | | | | |
| 87 | 17867-G1 | | TURN SIGNAL (WITH MOUNTING HARDWARE) | 1 |
| 88 | 21640-G1 | | FLASHER | 1 |
| 89 | 20965-G3 | | STEERING COLUMN COVER..... | 1 |

THE USE OF NON UL PARTS WILL VOID ANY UL LISTING.

When ordering parts, please specify the model and serial number of the product.

* Indicates a component that is not available as an individual part.

G** Indicates consult Customer Service Department for additional information.

| ITEM | PART NO. | 1 | 2 | 3 | 4 | 5 | DESCRIPTION | QTY. |
|------|-----------|---|---|---|---|---|--|------|
| 90 | | | | | | | | |
| 91 | 21573-G1 | | | | | | HOUR METER | 1 |
| 92 | 74019-G01 | | | | | | BRACKET | 1 |
| 93 | 00150-G4 | | | | | | SCREW, #10 - 24 X 1/2" LG | 2 |
| 94 | 11098-G7 | | | | | | NUT, #10 - 24 | 2 |
| 95 | 75117-G02 | | | | | | WIRE HARNESS (HOUR METER) | 1 |
| 96 | | | | | | | | |
| 97 | 75354-G0* | | | | | | WORK LIGHT BAR WITH LIGHTS | 1 |
| 98 | 75352-G01 | | | | | | STRUT (PASSENGER SIDE) | 1 |
| 99 | 75352-G02 | | | | | | STRUT (DRIVER SIDE) | 1 |
| 100 | 75346-G01 | | | | | | WIRE HARNESS (WORK LIGHT) | 1 |
| 101 | 75353-G01 | | | | | | BRACE | 1 |
| 102 | 75363-G01 | | | | | | COVER PLATE | 1 |
| 103 | 75430-G01 | | | | | | SWITCH HARNESS | 1 |
| 104 | 71077-G** | | | | | | LIGHT SWITCH PLATE | 1 |
| 105 | 75365-G01 | | | | | | HARDWARE KIT (INCLUDES ITEMS 106 - 114) | 1 |
| 106 | 00685-G7 | | | | | | BOLT, 5/16 - 18 X 1 3/4" LG | 6 |
| 107 | 00660-G8 | | | | | | WASHER, 5/16" | 12 |
| 108 | 15121-G1 | | | | | | WASHER, 3/8" X 1 1/4" | 2 |
| 109 | 11098-G6 | | | | | | LOCK NUT, 5/16 - 18 | 4 |
| 110 | 00918-G3 | | | | | | ACORN NUT, 5/16 - 18 | 2 |
| 111 | 33623-G02 | | | | | | DRIVE RIVET, 3/16" X 3/8" LG | 3 |
| 112 | 16705-G3 | | | | | | SCREW, 1/4 - 20 X 3/4" LG | 2 |
| 113 | 14390-G4 | | | | | | LOCK NUT, 1/4 - 20 | 2 |
| 114 | 20367-G01 | | | | | | GROMMET | 2 |
| 115 | 33201-G02 | | | | | | STROBE LIGHT MOUNT (USED ONLY WITH STROBE LIGHT) | 1 |
| 116 | 20385-G2 | | | | | | STROBE LIGHT KIT (INCLUDES ITEMS 117 - 122) | 1 |
| 117 | 20394-G1 | | | | | | STROBE LIGHT | 1 |
| 118 | 00379-G4 | | | | | | SCREW, #10 - 24 x 1/2" LG | 3 |
| 119 | 11098-G7 | | | | | | LOCK NUT, #10 - 24 | 3 |



ELECTRICAL SYSTEM**Electric Vehicle**

THE USE OF NON UL PARTS WILL VOID ANY UL LISTING.

When ordering parts, please specify the model and serial number of the product.

* Indicates a component that is not available as an individual part.

G** Indicates consult Customer Service Department for additional information.

| ITEM | PART NO. | 1 | 2 | 3 | 4 | 5 | DESCRIPTION | QTY. |
|------|-----------|---|---|---|---|---|--|------|
| 120 | 17317-G1 | | | | | | LIGHT SWITCH..... | 2 |
| 121 | 17902-G1 | | | | | | TAB ADAPTER..... | 1 |
| 122 | 20053-G1 | | | | | | 16 GA WIRE (RED 5 3/8")..... | 1 |
| 123 | | | | | | | | |
| 124 | 20383-G2 | | | | | | WORK LIGHT KIT (INCLUDES ITEMS 125-130)..... | 1 |
| 125 | 20209-G2 | | | | | | WORK LIGHT (RECTANGULAR) | 2 |
| 126 | 00566-G3 | | | | | | LOCK WASHER, 1/2" | 2 |
| 127 | 00533-G1 | | | | | | NUT, 1/2 - 13 | 2 |
| 128 | 17317-G1 | | | | | | LIGHT SWITCH..... | 2 |
| 129 | 17902-G1 | | | | | | TAB ADAPTER..... | 1 |
| 130 | 20053-G1 | | | | | | 16 GA WIRE (RED 5 3/8")..... | 1 |
| 131 | | | | | | | | |
| 132 | 35213-G02 | | | | | | GROUND STRAP, 16" (EE ONLY)..... | 1 |
| 133 | 00426-G8 | | | | | | BOLT, 3/8 - 16 X 1" LG | 1 |
| 134 | 00560-G1 | | | | | | WASHER, 3/8" | 2 |
| 135 | 11098-G4 | | | | | | LOCK NUT, 3/8 - 16 | 1 |
| 136 | | | | | | | | |
| 137 | 20209-G3 | | | | | | HEADLIGHT (RECTANGULAR) (INCLUDES ITEM 138) (1000 LX)..... | 2 |
| 138 | 00906-G6 | | | | | | SCREW, #10 - 16 X 1" LG | 2 |
| 139 | 74055-G01 | | | | | | JUMPER..... | 2 |
| 140 | | | | | | | | |
| 141 | 20570-G3 | | | | | | TURN SIGNAL LIGHT ASSEMBLY (INCLUDES ITEMS 142 - 147) (1000 LX) .. | 2 |
| 142 | 20574-G3 | | | | | | TURN SIGNAL LIGHT | 1 |
| 143 | 00660-G7 | | | | | | WASHER, 1/4" | 1 |
| 144 | 20606-G1 | | | | | | WIRE ASSEMBLY | 1 |
| 145 | 00567-G7 | | | | | | LOCK WASHER, 1/4" | 1 |
| 146 | 00532-G1 | | | | | | NUT, 1/4 - 20..... | 1 |
| 147 | 18995-G1 | | | | | | PUSH-ON MALE TERMINAL | 1 |
| 148 | 20574-G5 | | | | | | LENS, AMBER | 1 |
| 149 | 00118-G5 | | | | | | SCREW, #6 - 18 X 5/8" LG..... | 2 |

THE USE OF NON UL PARTS WILL VOID ANY UL LISTING.

When ordering parts, please specify the model and serial number of the product.

* Indicates a component that is not available as an individual part.

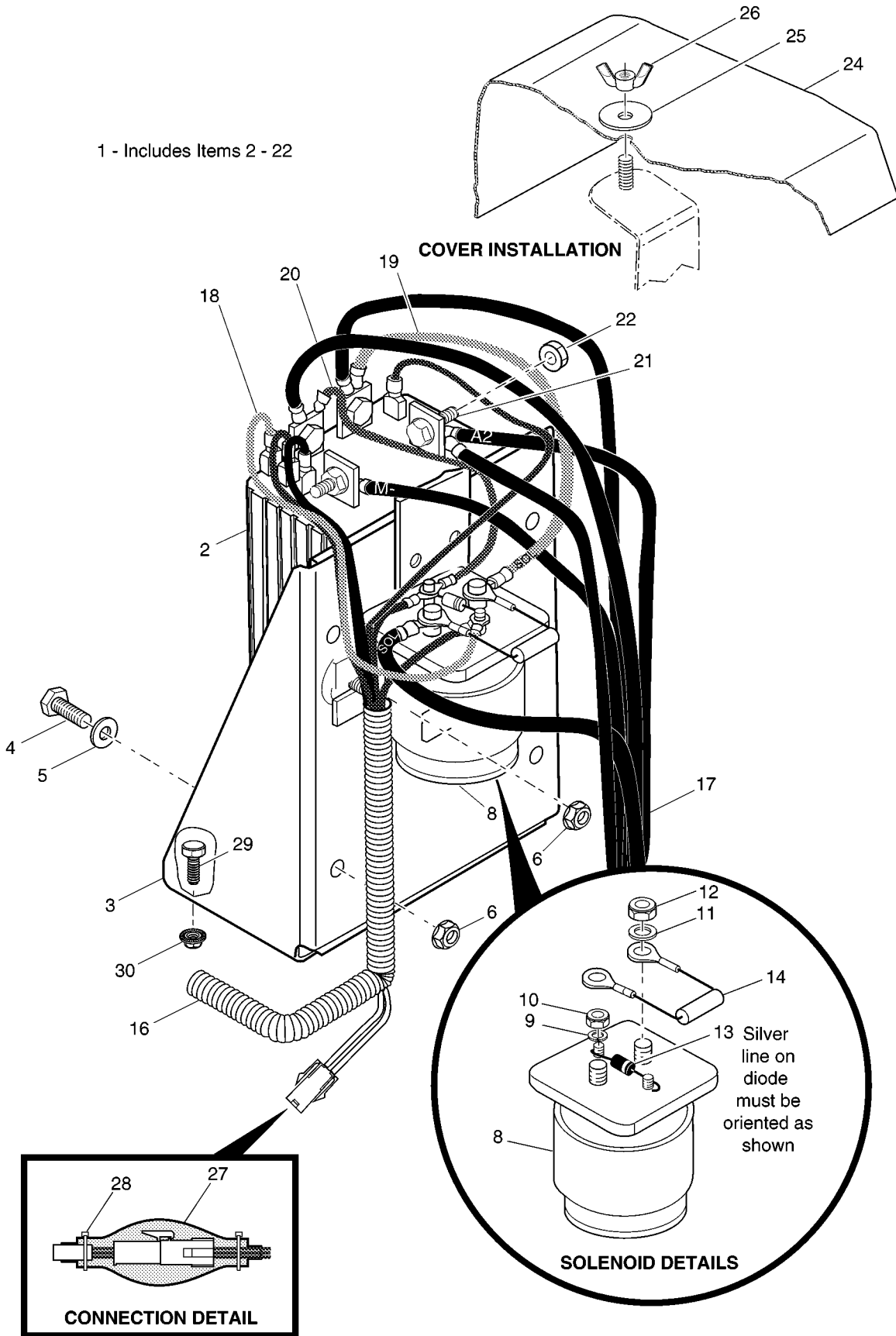
G** Indicates consult Customer Service Department for additional information.

| ITEM | PART NO. | 1 2 3 4 5 DESCRIPTION | QTY. |
|------|-----------|--|------|
| 150 | 74056-G01 | JUMPER, RED/BLACK (PASSENGER SIDE) | 1 |
| 151 | 74056-G02 | JUMPER, GREEN/BLACK (DRIVER SIDE) | 1 |



1 - Includes Items 2 - 22

COVER INSTALLATION



THE USE OF NON UL PARTS WILL VOID ANY UL LISTING.

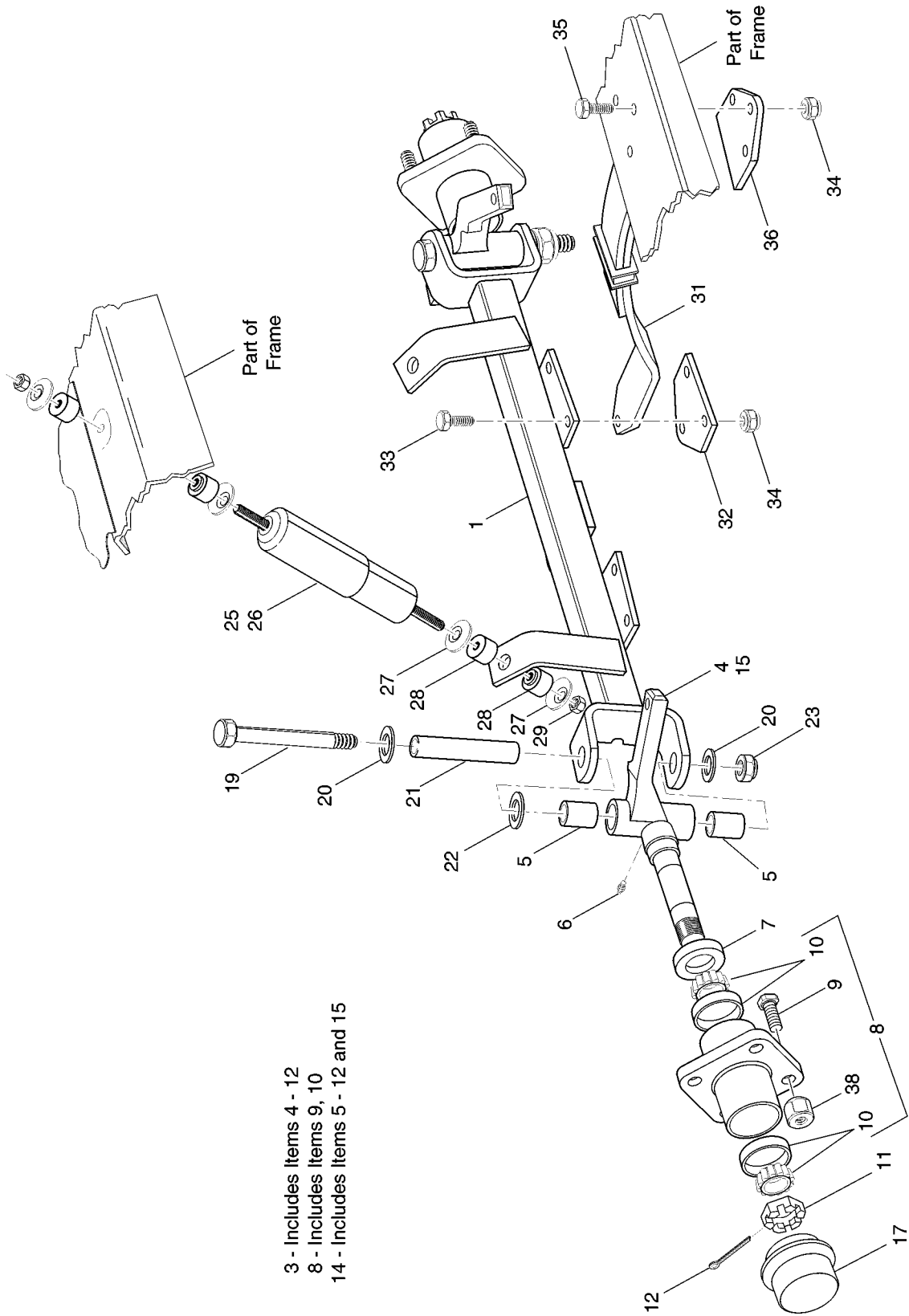
When ordering parts, please specify the model and serial number of the product.

* Indicates a component that is not available as an individual part.

G** Indicates consult Customer Service Department for additional information.

| ITEM | PART NO. | 1 2 3 4 5 | DESCRIPTION | QTY. |
|------|-----------|-----------|--|------|
| 1 | 73055-G04 | | ELECTRONIC SPEED CONTROL ASSEMBLY (INCLUDES ITEMS 2 - 22) | 1 |
| 2 | 73060-G01 | | ELECTRONIC SPEED CONTROLLER..... | 1 |
| 3 | 74014-G01 | | CONTROLLER MOUNT | 1 |
| 4 | 00414-G5 | | BOLT, 1/4 - 20 X 5/8" LG. | 4 |
| 5 | 00559-G7 | | WASHER, 1/4" | 2 |
| 6 | 11027-G2 | | LOCK NUT, 1/4 - 20..... | 6 |
| 7 | | | | |
| 8 | 20468-G1 | | SOLENOID (INCLUDES ITEMS 9 - 12) | 1 |
| 9 | * | | LOCK WASHER, #10..... | 2 |
| 10 | * | | NUT, #10 - 32 | 2 |
| 11 | * | | WASHER, 5/16" | 2 |
| 12 | * | | NUT, 5/16 - 24 | 2 |
| 13 | 30353-G1 | | DIODE, 3 AMP..... | 1 |
| 14 | 21764-G1 | | RESISTOR | 1 |
| 15 | | | | |
| 16 | 73095-G02 | | WIRE HARNESS (CONTROL - HD)..... | 1 |
| 17 | 73269-G01 | | WIRE HARNESS (POWER)..... | 1 |
| 18 | 25978-G88 | | 18 GA WIRE (RED 9")..... | 1 |
| 19 | 25972-G83 | | 6 GA WIRE (BLACK 9", SOL - B+)..... | 1 |
| 20 | 25978-G10 | | 18 GA WIRE(BLACK 6", SOL - B-)..... | 1 |
| 21 | 00270-G5 | | BOLT, 5/16 - 18 X 5/8" LG. | 4 |
| 22 | 11027-G1 | | LOCK NUT, 5/16 - 18..... | 4 |
| 23 | | | | |
| 24 | 23723-G2 | | COVER | 1 |
| 25 | 16469-G1 | | WASHER, 1/4" | 1 |
| 26 | 14419-G1 | | WING NUT, 1/4 - 20 | 1 |
| 27 | 28326-G02 | | GELTEK STRIP..... | 1 |
| 28 | 17618-G1 | | WIRE TIE | 2 |
| 29 | 00414-G5 | | BOLT, 1/4 - 20 X 5/8" LG..... | 4 |
| 30 | 11027-G2 | | LOCK NUT, 1/4 - 20 | 4 |





- 3 - Includes Items 4 - 12
- 8 - Includes Items 9, 10
- 14 - Includes Items 5 - 12 and 15



When ordering parts, please specify the model and serial number of the product.
 * Indicates a component that is not available as an individual part.
 G** Indicates consult Customer Service Department for additional information.

| ITEM | PART NO. | 1 2 3 4 5 | DESCRIPTION | QTY. |
|------|-----------|-----------|---|------|
| 1 | 70536-G01 | | FRONT AXLE..... | 1 |
| 2 | | | | |
| 3 | 70220-G01 | | SPINDLE ASSEMBLY (DRIVER SIDE) (INCLUDES ITEMS 4 - 12)..... | 1 |
| 4 | * | | SPINDLE (DRIVER SIDE)..... | 1 |
| 5 | 16623-G1 | | BEARING | 2 |
| 6 | 10389-G3 | | GREASE FITTING, STRAIGHT | 1 |
| 7 | 25146-G1 | | GREASE SEAL | 1 |
| 8 | 19932-G1 | | WHEEL HUB ASSEMBLY (INCLUDES ITEMS 9, 10) | 1 |
| 9 | 19862-G1 | | LUG BOLT, 1/2 - 20 X 1 7/32" LG..... | 4 |
| 10 | 50892-G1 | | BEARING AND RACE ASSEMBLY (COMPLETE) | 2 |
| 11 | 12093-G1 | | SLOTTED NUT, 1 - 14..... | 1 |
| 12 | 00798-G8 | | COTTER PIN, 5/32" X 1 3/4" LG..... | 1 |
| 13 | | | | |
| 14 | 70221-G01 | | SPINDLE ASSEMBLY (PASSENGER SIDE) (INCLUDES ITEMS 5 - 12, 15) ... | 1 |
| 15 | * | | SPINDLE (PASSENGER SIDE) | 1 |
| 16 | | | | |
| 17 | 12091-G2 | | SPINDLE CAP | 2 |
| 18 | | | | |
| 19 | 01040-G01 | | KING PIN, 1/2 - 13 X 5" LG..... | 2 |
| 20 | 00571-G5 | | WASHER, 1/2" | 4 |
| 21 | 70328-G01 | | KING PIN TUBE..... | 2 |
| 22 | 16982-G1 | | THRUST WASHER, 7/8"..... | 2 |
| 23 | 14390-G6 | | LOCK NUT, 1/2 - 13 | 2 |
| 24 | | | | |
| 25 | 70324-G01 | | SHOCK ABSORBER | 2 |
| 26 | 70630-G01 | | SHOCK ABSORBER (LX)..... | 2 |
| 27 | 10435-G1 | | SHOCK ABSORBER WASHER..... | 8 |
| 28 | 10194-G1 | | RUBBER SHOCK ABSORBER BUSHING | 8 |
| 29 | 00532-G6 | | NUT, 3/8 - 24 | 4 |
| 30 | | | | |



FRONT SUSPENSION

Gasoline Vehicle

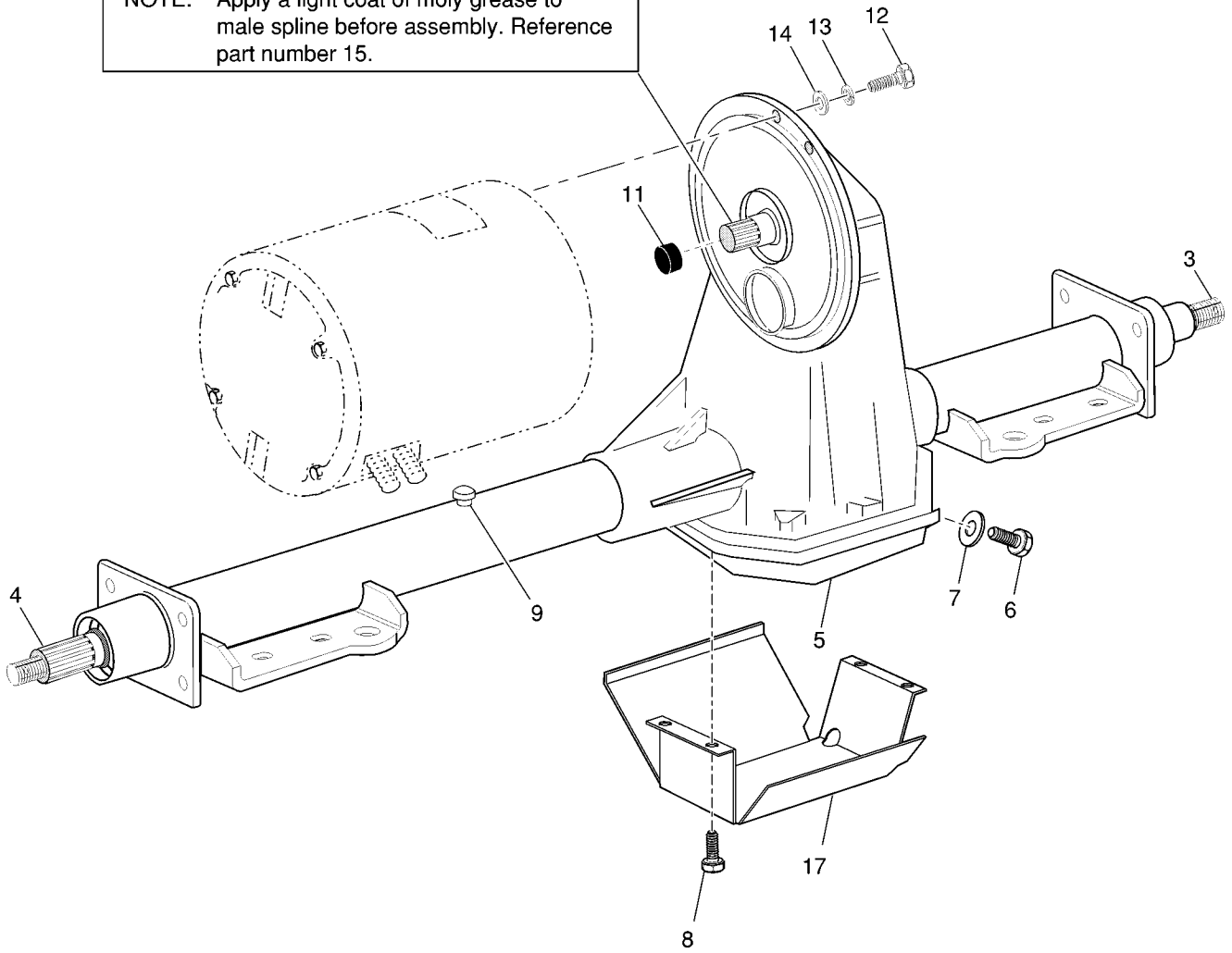
When ordering parts, please specify the model and serial number of the product.
 * Indicates a component that is not available as an individual part.
 G** Indicates consult Customer Service Department for additional information.

| ITEM | PART NO. | 1 2 3 4 5 | DESCRIPTION | QTY. |
|------|-----------|-----------|-----------------------------------|------|
| 31 | 70422-G01 | | LEAF SPRING (HEAVY DUTY) | 2 |
| 32 | 70540-G02 | | SPRING PLATE | 2 |
| 33 | 00463-G4 | | BOLT, 7/16 - 14 X 1 1/2" LG. | 6 |
| 34 | 00734-G1 | | LOCK NUT, 7/16 - 14 | 12 |
| 35 | 00463-G6 | | BOLT, 7/16 - 14 X 1 3/4" LG. | 6 |
| 36 | 70163-G02 | | SPRING PLATE | 2 |
| 37 | | | | |
| 38 | 14723-G1 | | LUG NUT, 1/2 - 20..... | 8 |



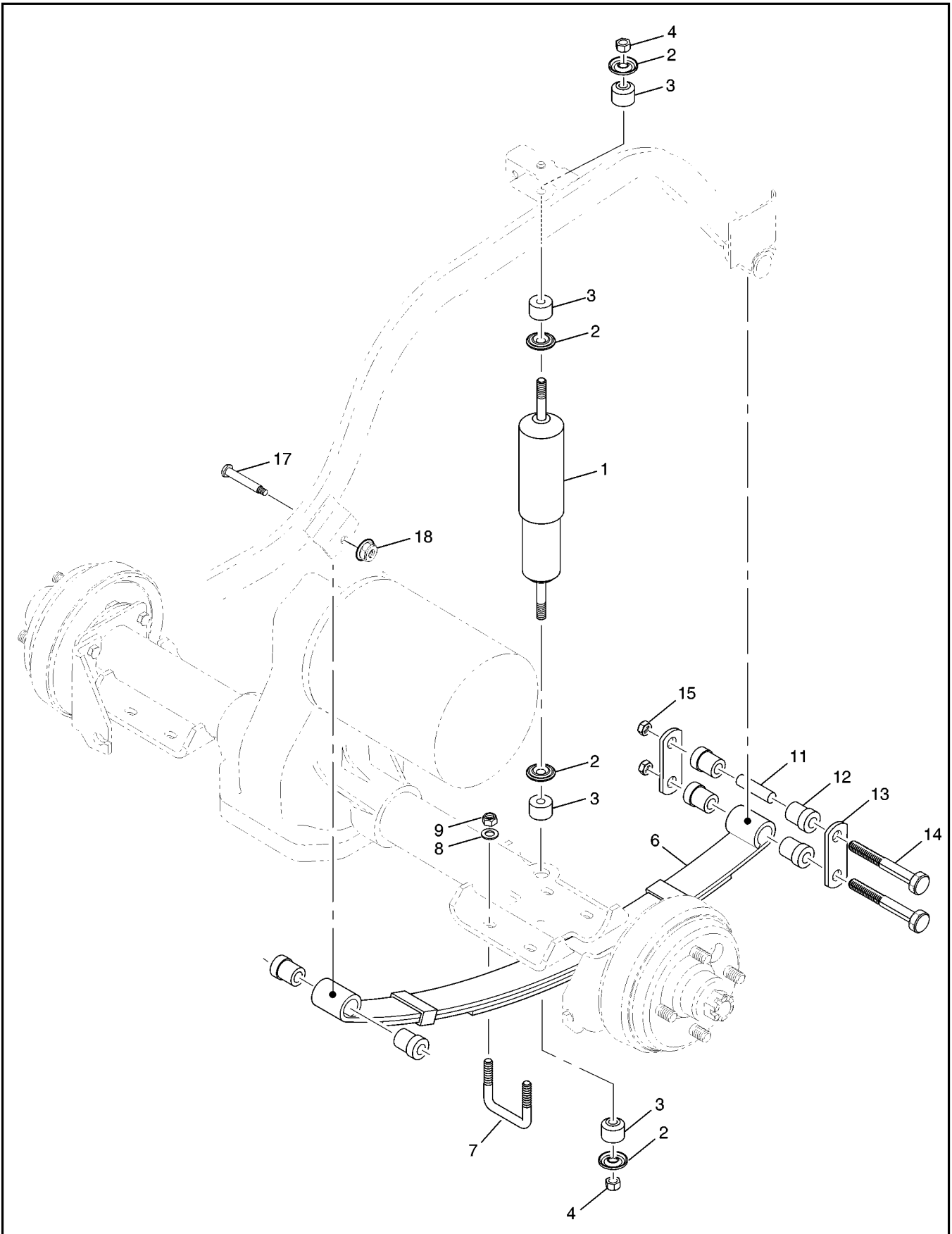
- 1 - Includes Items 3 - 9
- 2 - Includes Items 3 - 9

NOTE: Apply a light coat of moly grease to male spline before assembly. Reference part number 15.



THE USE OF NON UL PARTS WILL VOID ANY UL LISTING.
 When ordering parts, please specify the model and serial number of the product.
 * Indicates a component that is not available as an individual part.
 G** Indicates consult Customer Service Department for additional information.

| ITEM | PART NO. | 1 | 2 | 3 | 4 | 5 | DESCRIPTION | QTY. |
|------|-----------|---|---|---|---|---|---|------|
| 1 | 73176-G01 | | | | | | REAR AXLE ASSEMBLY, 12.44:1 (INCLUDES ITEMS 3 - 9)..... | 1 |
| 2 | 73176-G02 | | | | | | REAR AXLE ASSEMBLY 14.78:1 (INCLUDES ITEMS 3 - 9) | 1 |
| 3 | 20377-G12 | | | | | | AXLE SHAFT (PASSENGER SIDE) | 1 |
| 4 | 20377-G11 | | | | | | AXLE SHAFT (DRIVER SIDE)..... | 1 |
| 5 | 25228-G1 | | | | | | DIFFERENTIAL COVER | 1 |
| 6 | 25226-G1 | | | | | | FILL/CHECK PLUG | 1 |
| 7 | 25227-G1 | | | | | | WASHER | 1 |
| 8 | 15558-G1 | | | | | | SCREW, 5/16 - 18 X 3/4" LG..... | 10 |
| 9 | 73050-G01 | | | | | | VENT | 1 |
| 10 | | | | | | | | |
| 11 | 24261-G1 | | | | | | BUMPER SPLINE | 1 |
| 12 | 00797-G2 | | | | | | BOLT, 1/4 - 20 X 1 1/4" LG..... | 3 |
| 13 | 00565-G7 | | | | | | LOCK WASHER, 1/4" | 3 |
| 14 | 00559-G7 | | | | | | WASHER, 1/4" | 3 |
| 15 | 28095-G01 | | | | | | MOLY LUBE, 2 OZ..... | AR |
| 16 | | | | | | | | |
| 17 | 25353-G1 | | | | | | DIFFERENTIAL GUARD..... | 1 |



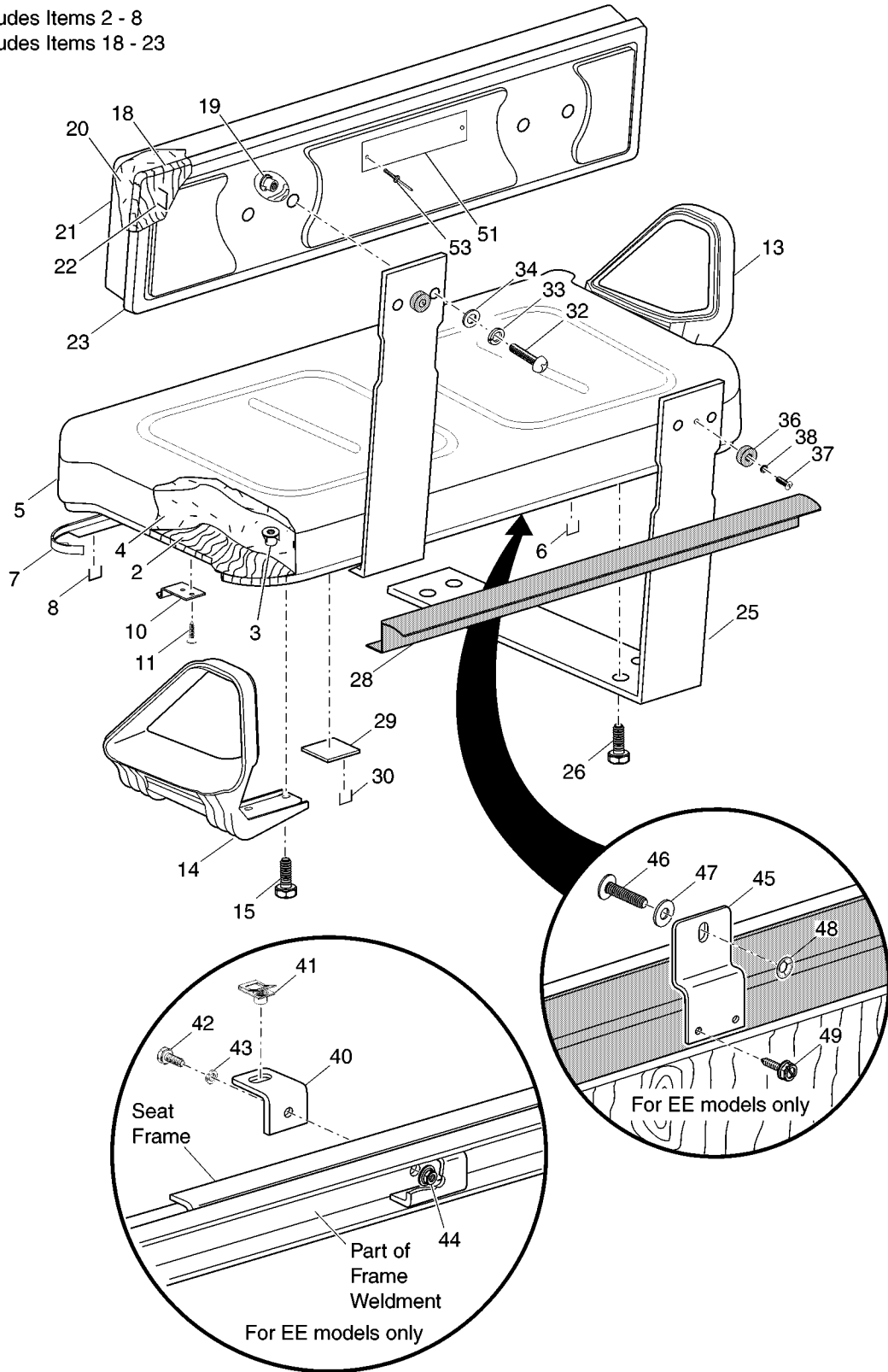
When ordering parts, please specify the model and serial number of the product.

* Indicates a component that is not available as an individual part.

G** Indicates consult Customer Service Department for additional information.

| ITEM | PART NO. | 1 2 3 4 5 | DESCRIPTION | QTY. |
|------|-----------|-----------|--|------|
| 1 | 70324-G01 | | SHOCK ABSORBER | 2 |
| 2 | 10435-G1 | | SHOCK ABSORBER WASHER..... | 8 |
| 3 | 10194-G1 | | RUBBER SHOCK ABSORBER BUSHING | 8 |
| 4 | 00532-G6 | | NUT, 3/8 - 24 | 4 |
| 5 | | | | |
| 6 | 74207-G01 | | LEAF SPRING (HEAVY DUTY) | 2 |
| 7 | 74124-G01 | | "U" BOLT, 3/8 - 16 | 4 |
| 8 | 00560-G1 | | WASHER, 3/8" | 8 |
| 9 | 11098-G5 | | LOCK NUT, 3/8 - 16 | 8 |
| 10 | | | | |
| 11 | 70289-G02 | | SPACER..... | 4 |
| 12 | 70291-G01 | | RUBBER BUSHING..... | 12 |
| 13 | 70290-G01 | | SHACKLE PLATE | 4 |
| 14 | 00429-G4 | | BOLT, 3/8 - 16 X 3 1/2" LG..... | 4 |
| 15 | 11098-G5 | | LOCK NUT, 3/8 - 16 | 4 |
| 16 | | | | |
| 17 | 14158-G1 | | SHOULDER BOLT, 3/8 - 16 X 3 1/4" LG..... | 2 |
| 18 | 12262-G1 | | LOCK NUT, 3/8 - 16 | 2 |

1 - Includes Items 2 - 8
17 - Includes Items 18 - 23



When ordering parts, please specify the model and serial number of the product.

* Indicates a component that is not available as an individual part.

G** Indicates consult Customer Service Department for additional information.

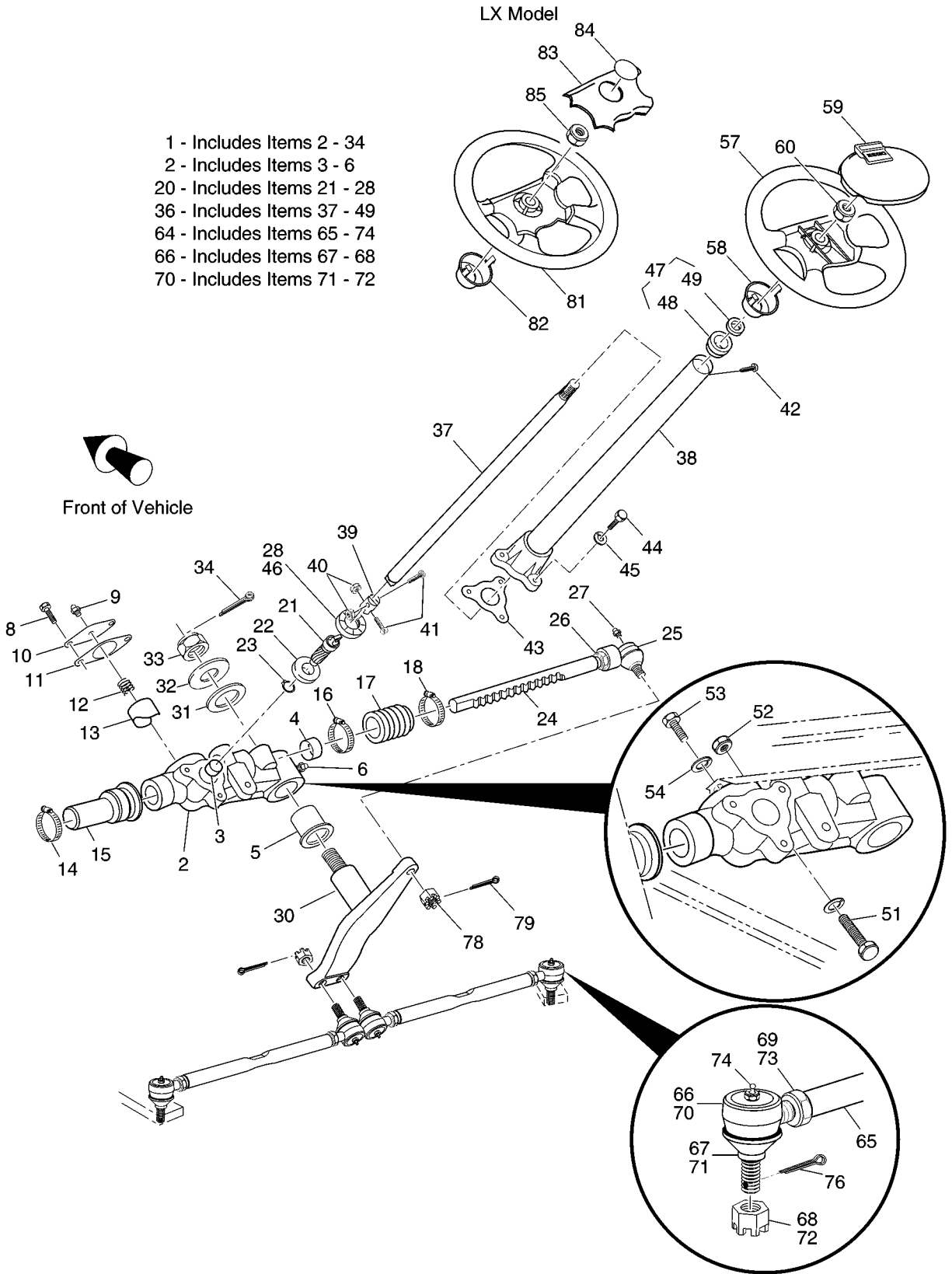
| ITEM | PART NO. | 1 2 3 4 5 | DESCRIPTION | QTY. |
|------|-----------|-----------|---|------|
| 1 | 71664-G** | | SEAT BOTTOM ASSEMBLY (INCLUDES ITEMS 2 - 8) | 1 |
| 2 | * | | PLYWOOD BASE | 1 |
| 3 | * | | TEE NUT, 1/4 - 20..... | 16 |
| 4 | * | | FOAM | 1 |
| 5 | 71602-G** | | VINYL SEAT BOTTOM COVER | 1 |
| 6 | * | | FLAT STAPLES | A/R |
| 7 | 71012-G01 | | VINYL TRIM (SEAT BOTTOM)..... | 1 |
| 8 | * | | FLAT STAPLES | A/R |
| 9 | | | | |
| 10 | 71610-G01 | | SEAT HINGE..... | 2 |
| 11 | 00720-G08 | | SCREW, #12 - 14 X 1" LG. | 6 |
| 12 | | | | |
| 13 | 71701-G01 | | HIP RESTRAINT (PASSENGER SIDE) | 1 |
| 14 | 71702-G01 | | HIP RESTRAINT (DRIVER SIDE) | 1 |
| 15 | 71204-G01 | | BOLT, 1/4 - 20 X 1" LG..... | 8 |
| 16 | | | | |
| 17 | 27546-G** | | SEAT BACK ASSEMBLY (INCLUDES ITEMS 18 - 23) | 1 |
| 18 | * | | PLYWOOD SEAT BACK..... | 1 |
| 19 | * | | TEE NUT, 1/4 - 20..... | 4 |
| 20 | * | | FOAM | 1 |
| 21 | 18144-G** | | VINYL SEAT BACK COVER | 1 |
| 22 | * | | FLAT STAPLES | A/R |
| 23 | 18868-G3 | | PLASTIC SEAT BACK COVER | 1 |
| 24 | | | | |
| 25 | 71662-G01 | | SEAT BACK SUPPORT BRACKET | 2 |
| 26 | 71204-G01 | | BOLT, 1/4 - 20 X 7/8" LG..... | 8 |
| 27 | | | | |
| 28 | 71762-G01 | | SEAL | 1 |
| 29 | 17074-G1 | | BUMPER..... | 2 |
| 30 | * | | FLAT STAPLES..... | A/R |



When ordering parts, please specify the model and serial number of the product.
 * Indicates a component that is not available as an individual part.
 G** Indicates consult Customer Service Department for additional information.

| ITEM | PART NO. | 1 2 3 4 5 | DESCRIPTION | QTY. |
|------|-----------|-----------|--|------|
| 31 | | | | |
| 32 | 16705-G1 | | SCREW, 1/4 - 20 X 1" LG..... | 4 |
| 33 | 00565-G7 | | LOCK WASHER, 1/4"..... | 4 |
| 34 | 00559-G7 | | WASHER, 1/4"..... | 4 |
| 35 | | | | |
| 36 | 13728-G1 | | RUBBER BUMPER..... | 2 |
| 37 | 00106-G6 | | SELF THREADING SCREW, #12 - 24 X 3/4" LG..... | 2 |
| 38 | 00559-G5 | | WASHER, #10..... | 2 |
| 39 | | | | |
| 40 | 74221-G01 | | SEAT LOCK ANGLE (EE ONLY)..... | 1 |
| 41 | 01024-G01 | | "U" TYPE NUT (EE ONLY)..... | 1 |
| 42 | XXXXX-XX | | BOLT (SEE ELECTRICAL SYSTEM)..... | X |
| 43 | XXXXX-XX | | WASHER (SEE ELECTRICAL SYSTEM)..... | X |
| 44 | XXXXX-XX | | NUT (SEE ELECTRICAL SYSTEM)..... | X |
| 45 | 74220-G01 | | LATCH SUPPORT BRACKET (EE ONLY)..... | 1 |
| 46 | 01023-G01 | | TORX SCREW 5/16-18 X 1" LG (EE ONLY)..... | 1 |
| 47 | 00559-G8 | | WASHER, 5/16" (EE ONLY)..... | 1 |
| 48 | 18315-G1 | | SELF-LOCKING FASTENER, 5/16" (EE ONLY)..... | 1 |
| 49 | 00114-G6 | | SCREW, 1/4 -14 X 3/4" LG (EE ONLY)..... | 2 |
| 50 | | | | |
| 51 | 71211-G02 | | PLATE / LABEL (600 LB) (INCLUDES ITEM 52)..... | 1 |
| 52 | 71517-G02 | | LABEL (600 LB)..... | 1 |
| 53 | 14601-G1 | | RIVET, 3/16" X 13/16" LG..... | 2 |





When ordering parts, please specify the model and serial number of the product.

* Indicates a component that is not available as an individual part.

G** Indicates consult Customer Service Department for additional information.

| ITEM | PART NO. | 1 | 2 | 3 | 4 | 5 | DESCRIPTION | QTY. |
|------|-----------|---|---|---|---|---|--|------|
| 1 | 70314-G02 | | | | | | STEERING BOX ASSEMBLY (COMPLETE) (INCLUDES ITEMS 2 - 34) | 1 |
| 2 | 75364-G01 | | | | | | STEERING HOUSING (INCLUDES ITEMS 3 - 6)..... | 1 |
| 3 | * | | | | | | SLEEVE BEARING | 1 |
| 4 | * | | | | | | SLEEVE BEARING | 1 |
| 5 | * | | | | | | FLANGED BEARING | 1 |
| 6 | 10389-G3 | | | | | | GREASE FITTING, STRAIGHT | 1 |
| 7 | | | | | | | | |
| 8 | 00426-G6 | | | | | | BOLT, 3/8 - 16 X 3/4" LG..... | 2 |
| 9 | 18456-G1 | | | | | | GREASE FITTING, 90° | 1 |
| 10 | 70177-G01 | | | | | | RACK GUIDE COVER | 1 |
| 11 | 70225-G01 | | | | | | GASKET | 1 |
| 12 | 70178-G01 | | | | | | COMPRESSION SPRING..... | 1 |
| 13 | 70179-G01 | | | | | | RACK GUIDE | 1 |
| 14 | 11391-G1 | | | | | | HOSE CLAMP, 1 1/4" | 1 |
| 15 | 70041-G01 | | | | | | RACK COVER..... | 1 |
| 16 | 11391-G1 | | | | | | HOSE CLAMP, 1 1/4" | 1 |
| 17 | 70183-G01 | | | | | | BELLOWS | 1 |
| 18 | 11391-G5 | | | | | | HOSE CLAMP, 3/4" | 1 |
| 19 | | | | | | | | |
| 20 | 70299-G01 | | | | | | STEERING GEAR KIT (INCLUDES ITEMS 21 - 28)..... | 1 |
| 21 | 70297-G01 | | | | | | GEAR PINION..... | 1 |
| 22 | 15112-G1 | | | | | | BALL BEARING | 1 |
| 23 | 70190-G01 | | | | | | EXTERNAL RETAINING RING | 1 |
| 24 | 70298-G01 | | | | | | STEERING RACK | 1 |
| 25 | 70192-G01 | | | | | | RACK BALL END | 1 |
| 26 | 00532-G8 | | | | | | NUT, 7/16 - 20 | 1 |
| 27 | 18456-G1 | | | | | | GREASE FITTING, 90° | 1 |
| 28 | 70466-G01 | | | | | | RETAINER | 1 |
| 29 | | | | | | | | |
| 30 | 70184-G01 | | | | | | IDLER..... | 1 |

When ordering parts, please specify the model and serial number of the product.
 * Indicates a component that is not available as an individual part.
 G** Indicates consult Customer Service Department for additional information.

| ITEM | PART NO. | 1 2 3 4 5 | DESCRIPTION | QTY. |
|------|-----------|-----------|--|------|
| 31 | 70216-G01 | | THRUST WASHER, 1 1/2" | 1 |
| 32 | 70195-G01 | | THRUST WASHER, 7/8" | 1 |
| 33 | 00734-G6 | | LOCK NUT, 7/8 - 9..... | 1 |
| 34 | 00798-G8 | | COTTER PIN, 5/32" X 1 3/4" LG. | 1 |
| 35 | | | | |
| 36 | 70360-G01 | | STEERING SHAFT/COLUMN KIT (INCLUDES ITEMS 37 - 49) | 1 |
| 37 | 14322-G3 | | STEERING SHAFT..... | 1 |
| 38 | 70333-G01 | | STEERING COLUMN | 1 |
| 39 | 70558-G01 | | COUPLING..... | 1 |
| 40 | 00550-G1 | | LOCK NUT, 1/4 - 20..... | 2 |
| 41 | 70227-G01 | | BOLT, 1/4 - 20 X 7/8" LG. | 2 |
| 42 | 01022-G01 | | SCREW, #6 - 20 X 5/16" LG..... | 1 |
| 43 | 70223-G01 | | GASKET | 1 |
| 44 | 01034-G01 | | BOLT, 3/8 - 16 X 1 1/2" LG. WITH PATCHLOCK | 3 |
| 45 | 00878-G1 | | LOCK WASHER, 3/8" | 3 |
| 46 | 70466-G01 | | RETAINER..... | 1 |
| 47 | 17161-G1 | | BUSHING AND SEAL KIT (INCLUDES ITEMS 48, 49) | 1 |
| 48 | * | | STEERING COLUMN BUSHING..... | 1 |
| 49 | * | | SHAFT SEAL..... | 1 |
| 50 | | | | |
| 51 | 00470-G4 | | BOLT, 7/16 - 20 X 2 1/2" LG..... | 1 |
| 52 | 00734-G3 | | LOCK NUT, 7/16 - 20 | 1 |
| 53 | 01033-G01 | | BOLT, 7/16 - 14 X 1 1/4" LG. WITH PATCHLOCK | 2 |
| 54 | 00566-G2 | | LOCK WASHER, 7/16"..... | 3 |
| 55 | | | | |
| 56 | | | | |
| 57 | 71948-G01 | | STEERING WHEEL | 1 |
| 58 | 71949-G01 | | HUB..... | 1 |
| 59 | 71950-G01 | | CLIPBOARD | 1 |
| 60 | 14390-G2 | | LOCK NUT, 5/8 - 18 | 1 |

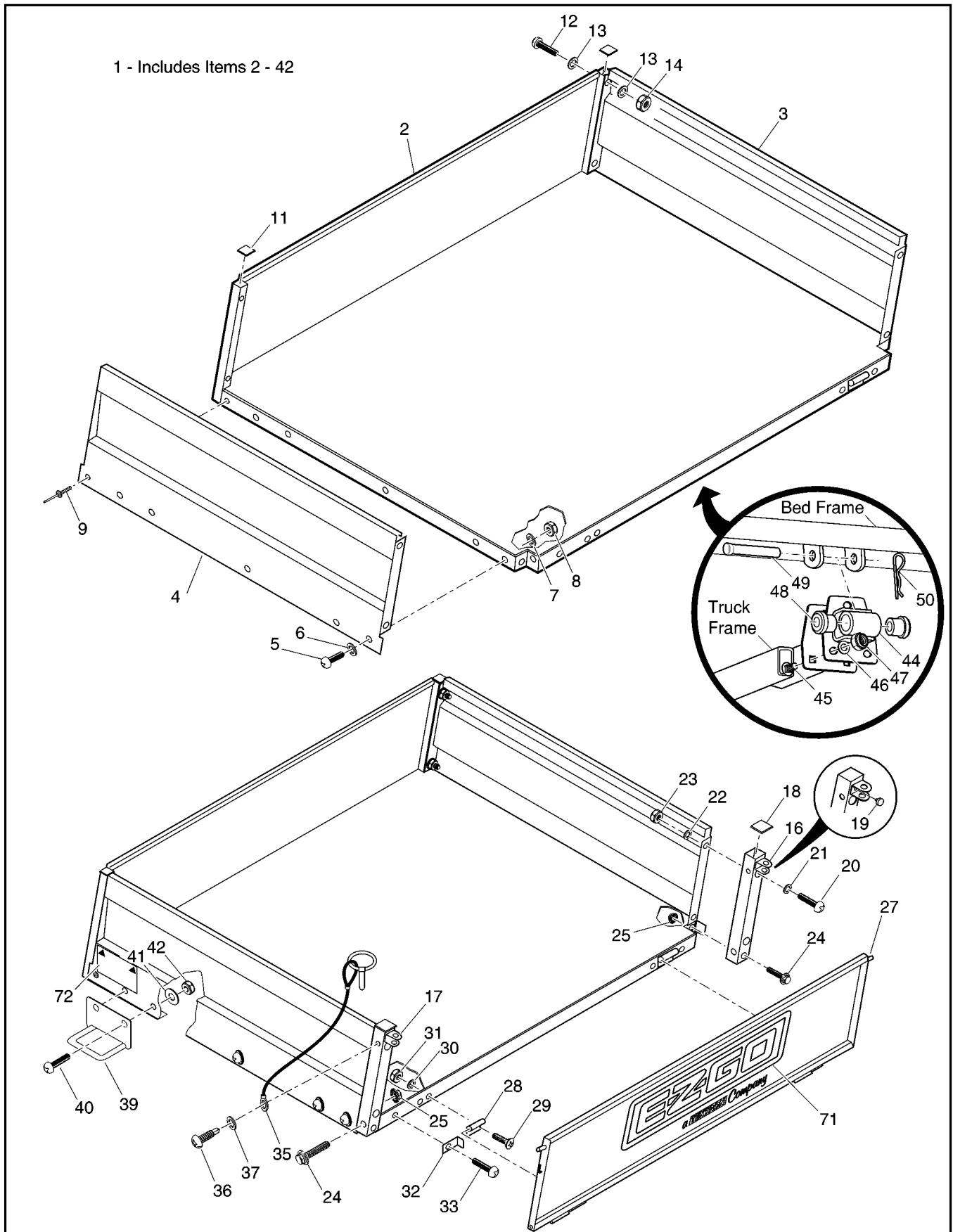


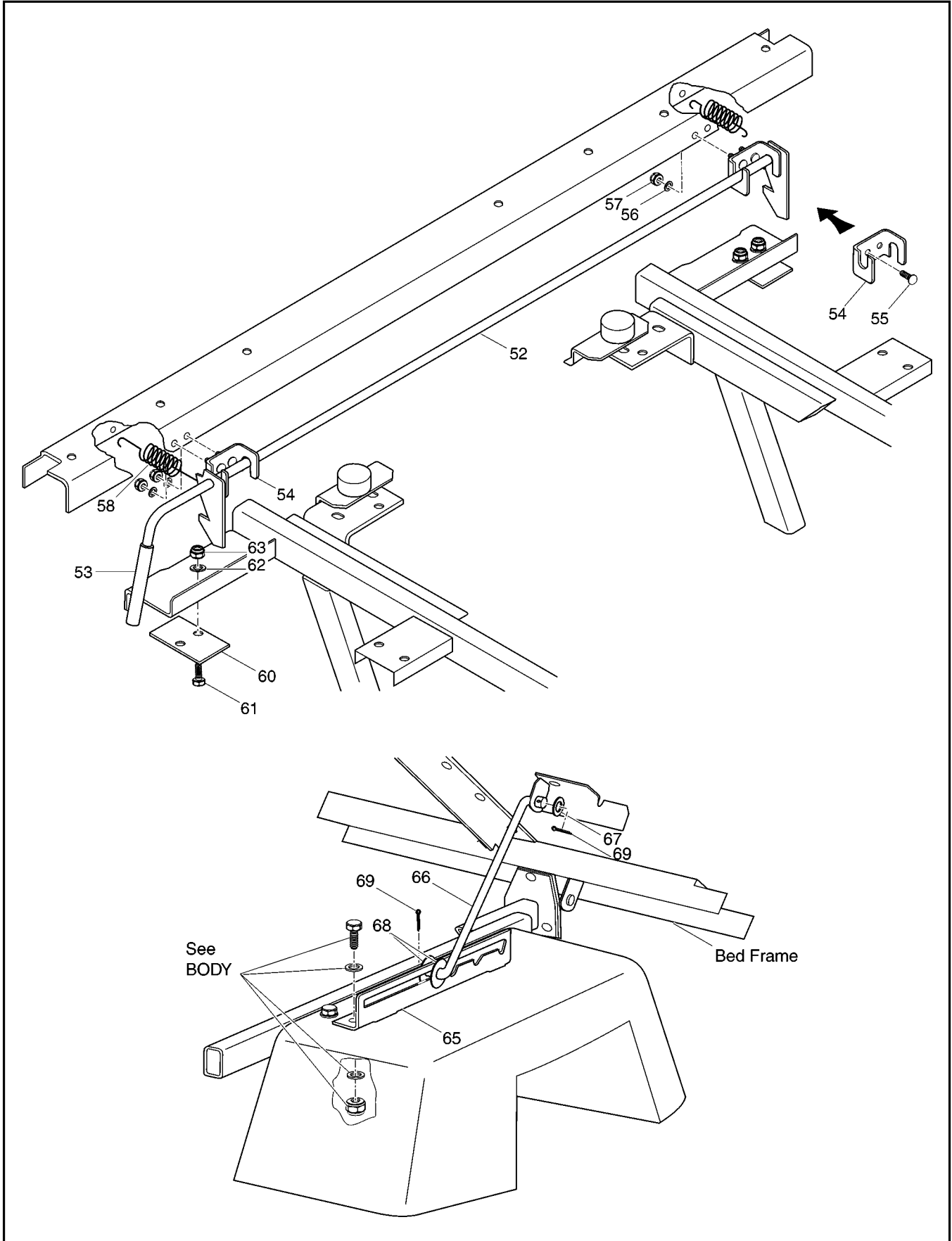
When ordering parts, please specify the model and serial number of the product.

* Indicates a component that is not available as an individual part.

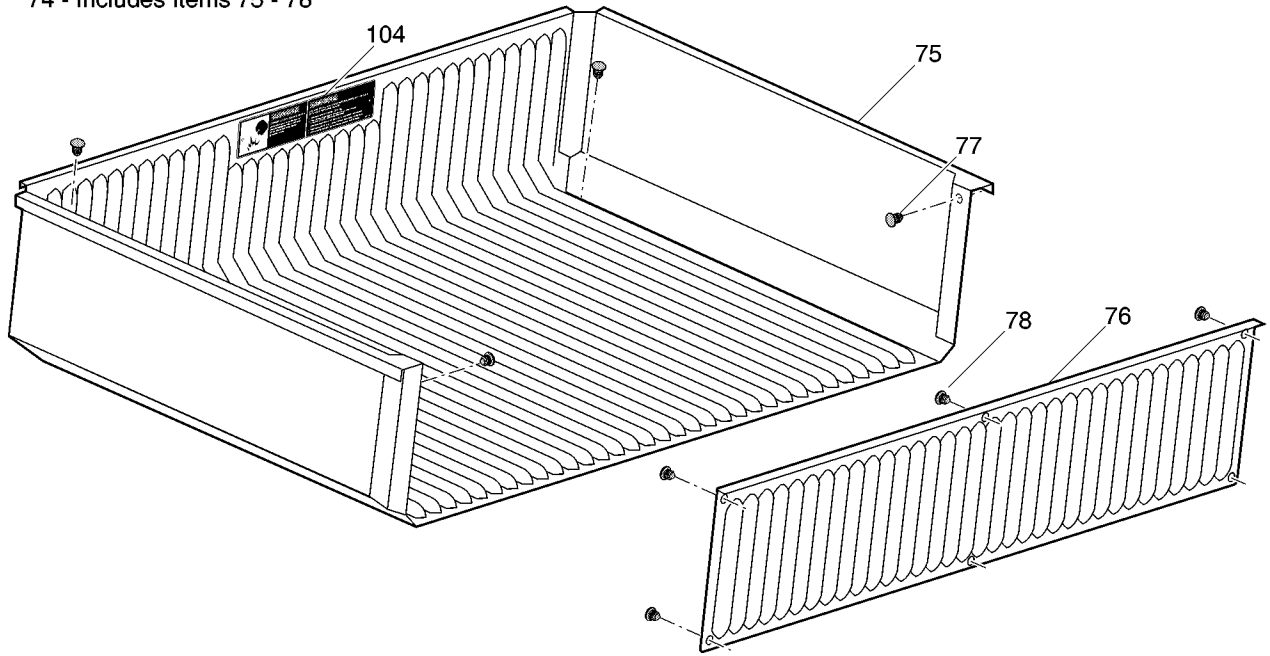
G** Indicates consult Customer Service Department for additional information.

| ITEM | PART NO. | 1 | 2 | 3 | 4 | 5 | DESCRIPTION | QTY. |
|------|-----------|---|---|---|---|---|---|------|
| 61 | 00999-G01 | | | | | | SCREW, #8 - 18 X 7/8" LG..... | 2 |
| 62 | | | | | | | | |
| 63 | | | | | | | | |
| 64 | 70074-G01 | | | | | | TIE ROD ASSEMBLY (INCLUDES ITEMS 65 - 74)..... | 2 |
| 65 | 70583-G02 | | | | | | THREADED TUBE WITH FLAT | 1 |
| 66 | 27205-G01 | | | | | | TIE ROD END (LEFT HAND THREAD) (INCLUDES ITEMS 67 - 68)..... | 1 |
| 67 | 50641-G1 | | | | | | RUBBER BOOT | 1 |
| 68 | 50209-G2 | | | | | | SLOTTED NUT, 7/16 - 20..... | 1 |
| 69 | 18434-G3 | | | | | | JAM NUT, 9/16 - 18 (LEFT HAND THREAD) | 1 |
| 70 | 27205-G02 | | | | | | TIE ROD END (RIGHT HAND THREAD) (INCLUDES ITEMS 71 - 72)..... | 1 |
| 71 | 50641-G1 | | | | | | RUBBER BOOT | 1 |
| 72 | 50209-G2 | | | | | | SLOTTED NUT, 7/16 - 20..... | 1 |
| 73 | 18434-G4 | | | | | | JAM NUT, 9/16 - 18 (RIGHT HAND THREAD)..... | 1 |
| 74 | 10389-G3 | | | | | | GREASE FITTING, STRAIGHT | 2 |
| 75 | | | | | | | | |
| 76 | 10387-G2 | | | | | | COTTER PIN, 3/32" X 1" LG..... | 2 |
| 77 | | | | | | | | |
| 78 | 50209-G2 | | | | | | SLOTTED NUT, 7/16 - 20 | 1 |
| 79 | 10387-G2 | | | | | | COTTER PIN, 3/32" X 1" LG..... | 1 |
| 80 | | | | | | | | |
| 81 | 71146-G01 | | | | | | STEERING WHEEL | 1 |
| 82 | 71949-G01 | | | | | | HUB..... | 1 |
| 83 | 71147-G01 | | | | | | COVER | 1 |
| 84 | 71047-G01 | | | | | | DECAL | 1 |
| 85 | 14390-G2 | | | | | | LOCK NUT, 5/8 - 18 | 1 |

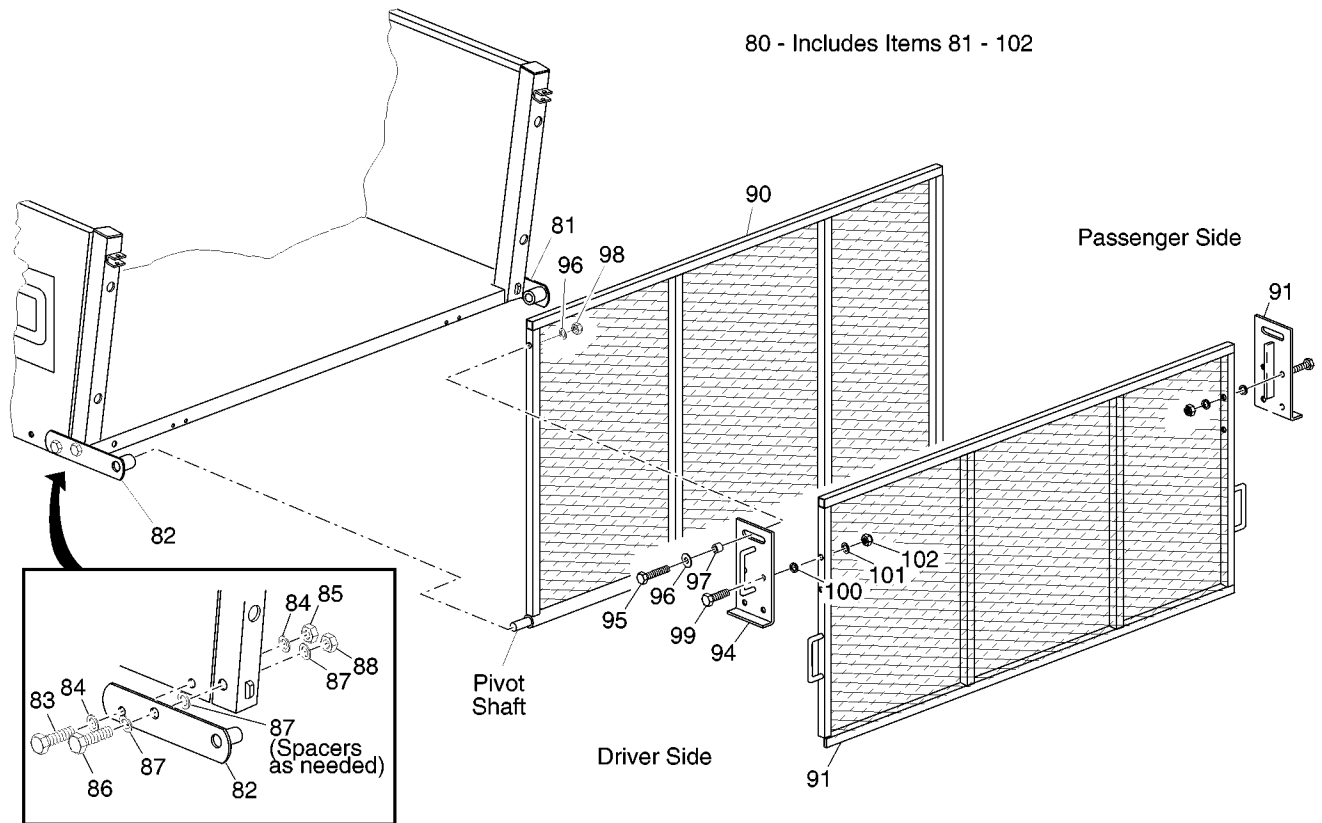




74 - Includes Items 75 - 78



80 - Includes Items 81 - 102



When ordering parts, please specify the model and serial number of the product.

* Indicates a component that is not available as an individual part.

G** Indicates consult Customer Service Department for additional information.

| ITEM | PART NO. | 1 | 2 | 3 | 4 | 5 | DESCRIPTION | QTY. |
|------|-----------|---|---|---|---|---|--|------|
| 1 | 71711-G03 | | | | | | TRUCK BED ASSEMBLY, 40" (MANUAL DUMP) (INCLUDES ITEMS 2 - 42)... | 1 |
| 2 | 71719-G01 | | | | | | BED FRAME, 40" | 1 |
| 3 | 71714-G01 | | | | | | SIDE PANEL, 40" (PASSENGER SIDE)..... | 1 |
| 4 | 71714-G02 | | | | | | SIDE PANEL, 40" (DRIVER SIDE) | 1 |
| 5 | 16705-G3 | | | | | | SCREW, 1/4 - 20 X 3/4" LG..... | 8 |
| 6 | 00915-G1 | | | | | | BONDED WASHER, 1/4" | 8 |
| 7 | 00559-G7 | | | | | | WASHER, 1/4" | 8 |
| 8 | 14390-G4 | | | | | | LOCK NUT, 1/4 - 20..... | 8 |
| 9 | 14601-G8 | | | | | | RIVET, 3/8" X 7/16" LG. (ALUMINUM) | 2 |
| 10 | | | | | | | | |
| 11 | 71717-G01 | | | | | | END CAP, 1" | 2 |
| 12 | 16705-G6 | | | | | | SCREW, 1/4 - 20 X 1 3/4" LG..... | 4 |
| 13 | 00915-G1 | | | | | | BONDED WASHER, 1/4" | 8 |
| 14 | 14390-G4 | | | | | | LOCK NUT, 1/4 - 20..... | 4 |
| 15 | | | | | | | | |
| 16 | 71837-G01 | | | | | | POST (PASSENGER SIDE) | 1 |
| 17 | 71837-G02 | | | | | | POST (DRIVER SIDE)..... | 1 |
| 18 | 71718-G01 | | | | | | END CAP, 1 1/2" | 2 |
| 19 | 71838-G01 | | | | | | RUBBER BUMPER | 2 |
| 20 | 16705-G3 | | | | | | SCREW, 1/4 - 20 X 3/4" LG..... | 4 |
| 21 | 00915-G1 | | | | | | BONDED WASHER, 1/4" | 4 |
| 22 | 00559-G7 | | | | | | WASHER, 1/4" | 4 |
| 23 | 14390-G4 | | | | | | LOCK NUT, 1/4 - 20..... | 4 |
| 24 | 13437-G8 | | | | | | LOCK SCREW, 3/8-16 X 2" LG. | 4 |
| 25 | 11027-G5 | | | | | | LOCK NUT, 3/8 - 16..... | 4 |
| 26 | | | | | | | | |
| 27 | 71732-G01 | | | | | | TAILGATE | 1 |
| 28 | 27666-G01 | | | | | | HINGE | 2 |
| 29 | 01002-G08 | | | | | | SCREW, 1/4 - 20 X 1" LG..... | 4 |
| 30 | 00559-G7 | | | | | | WASHER, 1/4" | 4 |



When ordering parts, please specify the model and serial number of the product.

* Indicates a component that is not available as an individual part.

G** Indicates consult Customer Service Department for additional information.

| ITEM | PART NO. | 1 | 2 | 3 | 4 | 5 | DESCRIPTION | QTY. |
|------|-----------|---|---|---|---|---|---|------|
| 31 | 14390-G4 | | | | | | LOCK NUT, 1/4 - 20..... | 4 |
| 32 | 71748-G01 | | | | | | TAILGATE KEEPER | 1 |
| 33 | 16705-G3 | | | | | | SCREW, 1/4 - 20 X 3/4" LG..... | 1 |
| 34 | | | | | | | | |
| 35 | 71083-G01 | | | | | | TAILGATE CABLE | 2 |
| 36 | 00106-G6 | | | | | | SELF THREADING SCREW, #12 - 24 X 3/4" LG..... | 2 |
| 37 | 00915-G1 | | | | | | BONDED WASHER, 1/4" | 2 |
| 38 | | | | | | | | |
| 39 | 71794-G01 | | | | | | LIFT HANDLE | 1 |
| 40 | 00976-G08 | | | | | | SCREW, 5/16 - 18 X 1" LG..... | 2 |
| 41 | 00559-G8 | | | | | | WASHER, 5/16" | 2 |
| 42 | 11098-G6 | | | | | | LOCK NUT, 5/16 - 18..... | 2 |
| 43 | | | | | | | | |
| 44 | 70396-G01 | | | | | | BED PIVOT | 2 |
| 45 | 00764-G2 | | | | | | CARRIAGE BOLT, 5/16 - 18 X 1" LG..... | 6 |
| 46 | 00559-G8 | | | | | | WASHER, 5/16" | 6 |
| 47 | 11098-G6 | | | | | | LOCK NUT, 5/16 - 18 | 6 |
| 48 | 70291-G01 | | | | | | FLANGED BUSHING..... | 4 |
| 49 | 21682-G1 | | | | | | CLEVIS PIN, 1/2" X 2 7/8" LG..... | 2 |
| 50 | 21683-G1 | | | | | | COTTER PIN, 15/32" X 2 11/16" LG..... | 2 |
| 51 | | | | | | | | |
| 52 | 71831-G01 | | | | | | BED LATCH | 1 |
| 53 | 71704-G01 | | | | | | HANDLE GRIP | 1 |
| 54 | 71827-G01 | | | | | | LATCH BRACKET..... | 2 |
| 55 | 01014-G03 | | | | | | CARRIAGE BOLT, 1/4 - 20 X 3/4" LG | 4 |
| 56 | 00559-G7 | | | | | | WASHER, 1/4" | 4 |
| 57 | 14390-G4 | | | | | | LOCK NUT, 1/4 - 20 | 4 |
| 58 | 71707-G01 | | | | | | EXTENSION SPRING..... | 2 |
| 59 | | | | | | | | |
| 60 | 71766-G01 | | | | | | CATCH BRACKET | 2 |

When ordering parts, please specify the model and serial number of the product.

* Indicates a component that is not available as an individual part.

G** Indicates consult Customer Service Department for additional information.

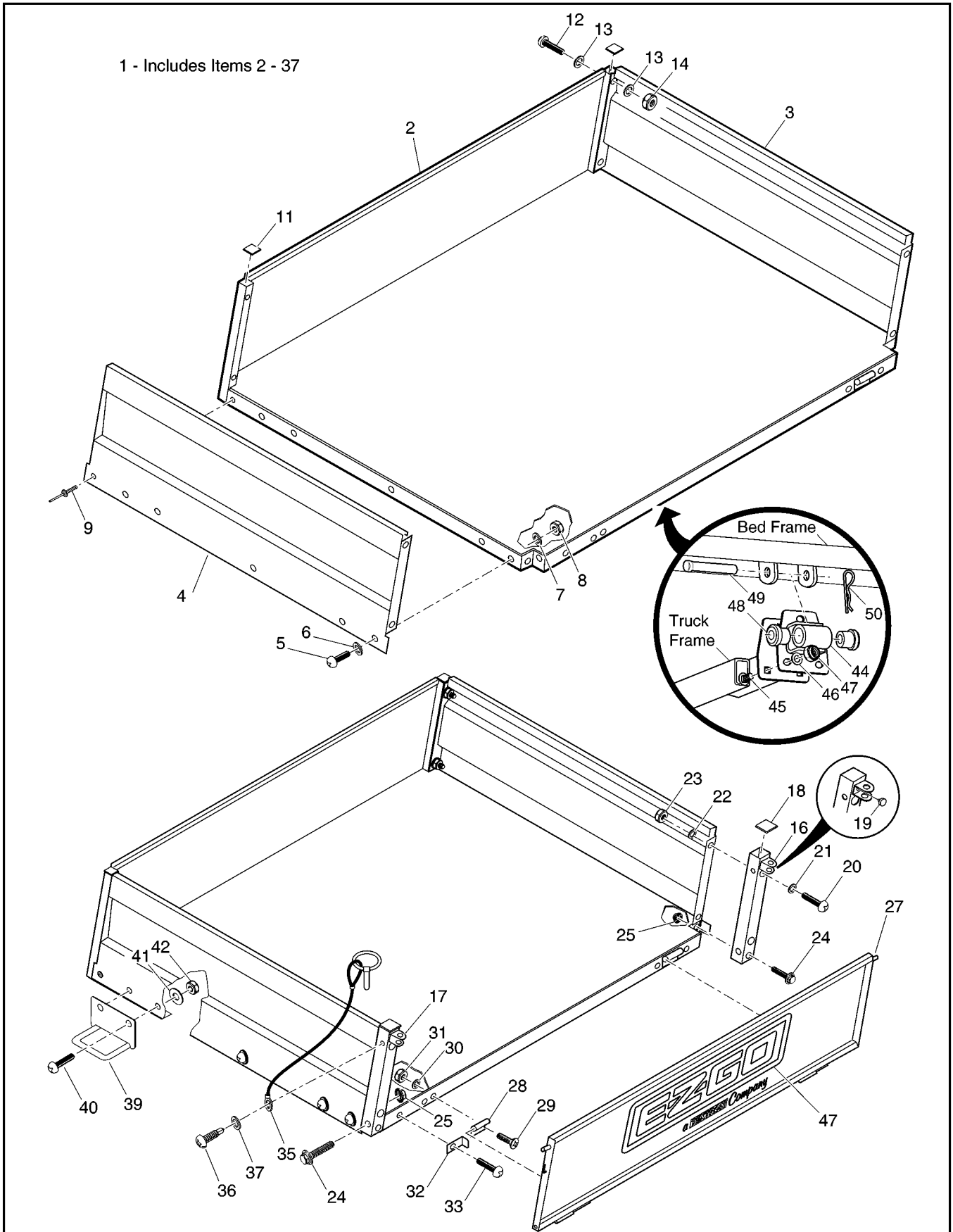
| ITEM | PART NO. | 1 2 3 4 5 | DESCRIPTION | QTY. |
|------|-----------|-----------|---|------|
| 61 | 00414-G6 | | BOLT, 1/4 - 20 X 3/4" LG..... | 4 |
| 62 | 00559-G7 | | WASHER, 1/4" | 4 |
| 63 | 14390-G4 | | LOCK NUT, 1/4 - 20 | 4 |
| 64 | | | | |
| 65 | 71673-G01 | | PROP BRACKET | 1 |
| 66 | 71657-G01 | | PROP ROD | 1 |
| 67 | 00560-G3 | | WASHER, 1/2" | 1 |
| 68 | 15121-G1 | | WASHER, 3/8" | 2 |
| 69 | 10387-G3 | | COTTER PIN, 3/32" X 3/4" LG..... | 2 |
| 70 | | | | |
| 71 | 71901-G01 | | DECAL (E-Z-GO) | 1 |
| 72 | 71771-G01 | | LABEL (TILT WARNING) | 1 |
| 73 | | | | |
| 74 | 74035-G03 | | BED LINER KIT (INCLUDES ITEMS 75 - 78)..... | 1 |
| 75 | 74234-G01 | | BED LINER, 40" | 1 |
| 76 | 74235-G01 | | TAILGATE LINER | 1 |
| 77 | 18436-G1 | | RIVET, 1/4" X 3/4" LG..... | 4 |
| 78 | 14601-G10 | | RIVET, 3/16" X 3/8" LG..... | 6 |
| 79 | | | | |
| 80 | 28334-G01 | | RAMP KIT (INCLUDES ITEMS 81 - 102) | 1 |
| 81 | 28331-G01 | | RAMP SUPPORT (PASSENGER SIDE) | 1 |
| 82 | 28331-G02 | | RAMP SUPPORT (DRIVER SIDE)..... | 1 |
| 83 | 00438-G8 | | BOLT, 5/16 - 18 X 1" LG | 2 |
| 84 | 00559-G8 | | WASHER, 5/16"..... | 4 |
| 85 | 11098-G6 | | LOCK NUT, 5/16 - 18..... | 2 |
| 86 | 00428-G6 | | BOLT, 3/8 - 16 X 2 3/4" LG | 2 |
| 87 | 00562-G1 | | WASHER, 3/8" | 6 |
| 88 | 11098-G5 | | LOCK NUT, 3/8 - 16..... | 2 |
| 89 | | | | |
| 90 | 20264-G1 | | UPPER RAMP | 1 |



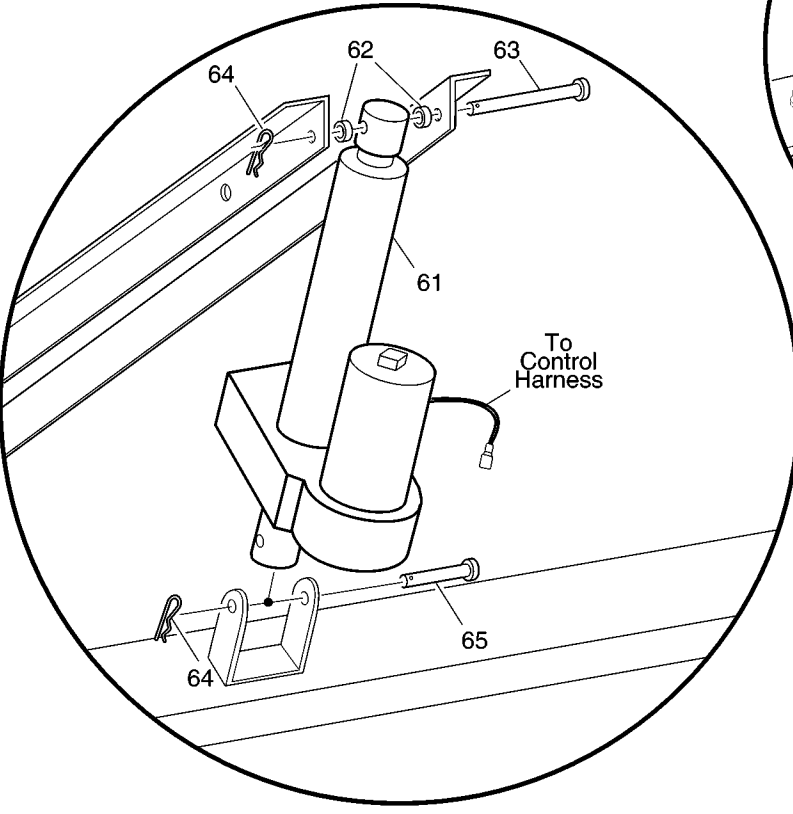
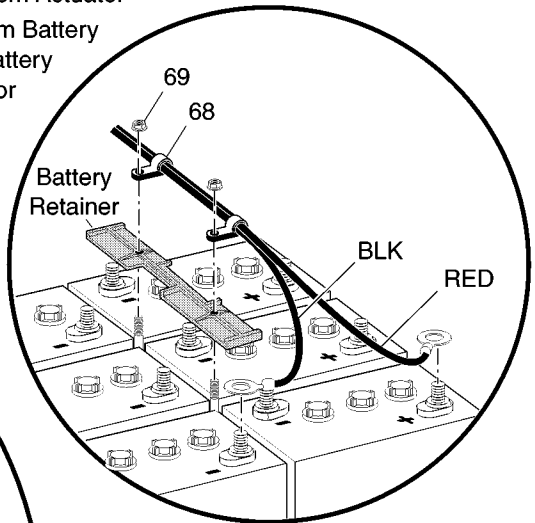
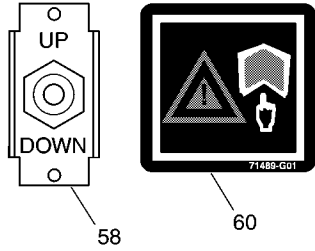
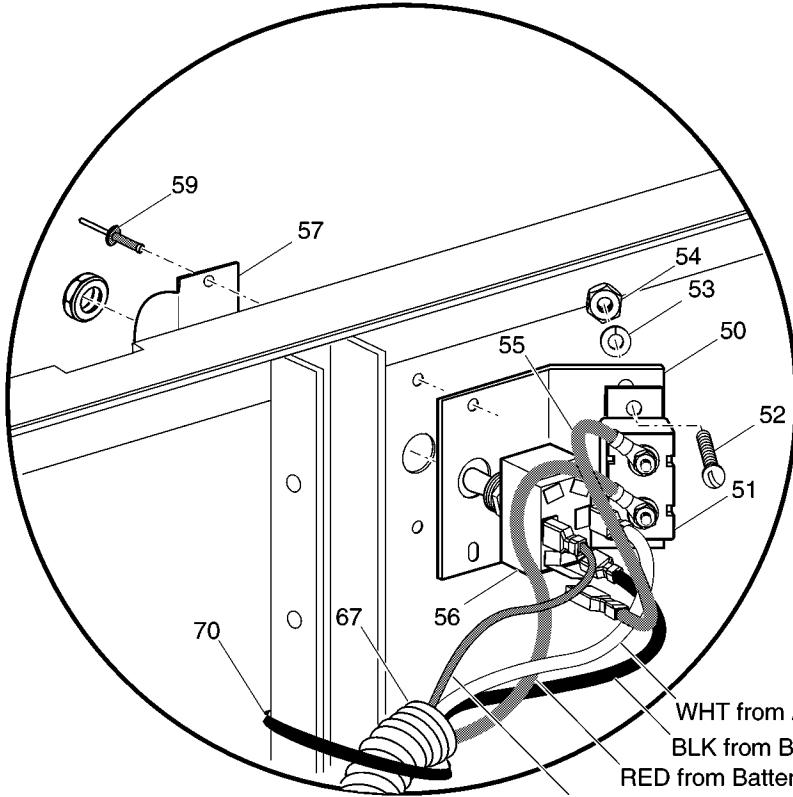
When ordering parts, please specify the model and serial number of the product.
 * Indicates a component that is not available as an individual part.
 G** Indicates consult Customer Service Department for additional information.

| ITEM | PART NO. | 1 | 2 | 3 | 4 | 5 | DESCRIPTION | QTY. |
|------|-----------|---|---|---|---|---|-----------------------------------|------|
| 91 | 20257-G2 | | | | | | LOWER RAMP | 1 |
| 92 | | | | | | | | |
| 93 | 20252-G1 | | | | | | PIVOT (PASSENGER SIDE) | 1 |
| 94 | 20252-G2 | | | | | | PIVOT (DRIVER SIDE)..... | 1 |
| 95 | 00427-G8 | | | | | | BOLT, 3/8 - 16 X 2" LG | 2 |
| 96 | 00562-G1 | | | | | | WASHER, 3/8" | 4 |
| 97 | 20275-G1 | | | | | | PIVOT SPACER | 2 |
| 98 | 11098-G5 | | | | | | LOCK NUT, 3/8-16..... | 2 |
| 99 | 00439-G6 | | | | | | BOLT, 5/16 - 18 X 1 3/4" LG | 4 |
| 100 | 00569-G2 | | | | | | WASHER, 5/16" | 4 |
| 101 | 00559-G8 | | | | | | WASHER, 5/16" | 4 |
| 102 | 11098-G6 | | | | | | LOCK NUT, 5/16 - 18..... | 4 |
| 103 | | | | | | | | |
| 104 | 71517-G02 | | | | | | SAFETY LABEL | 1 |

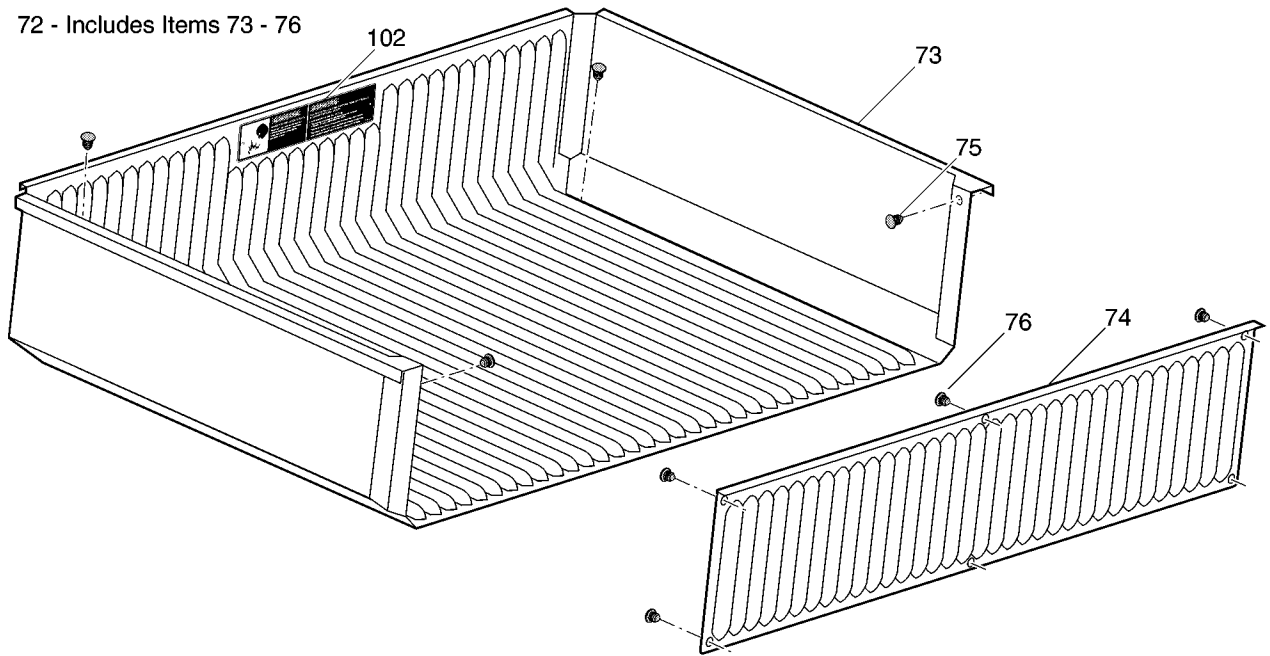




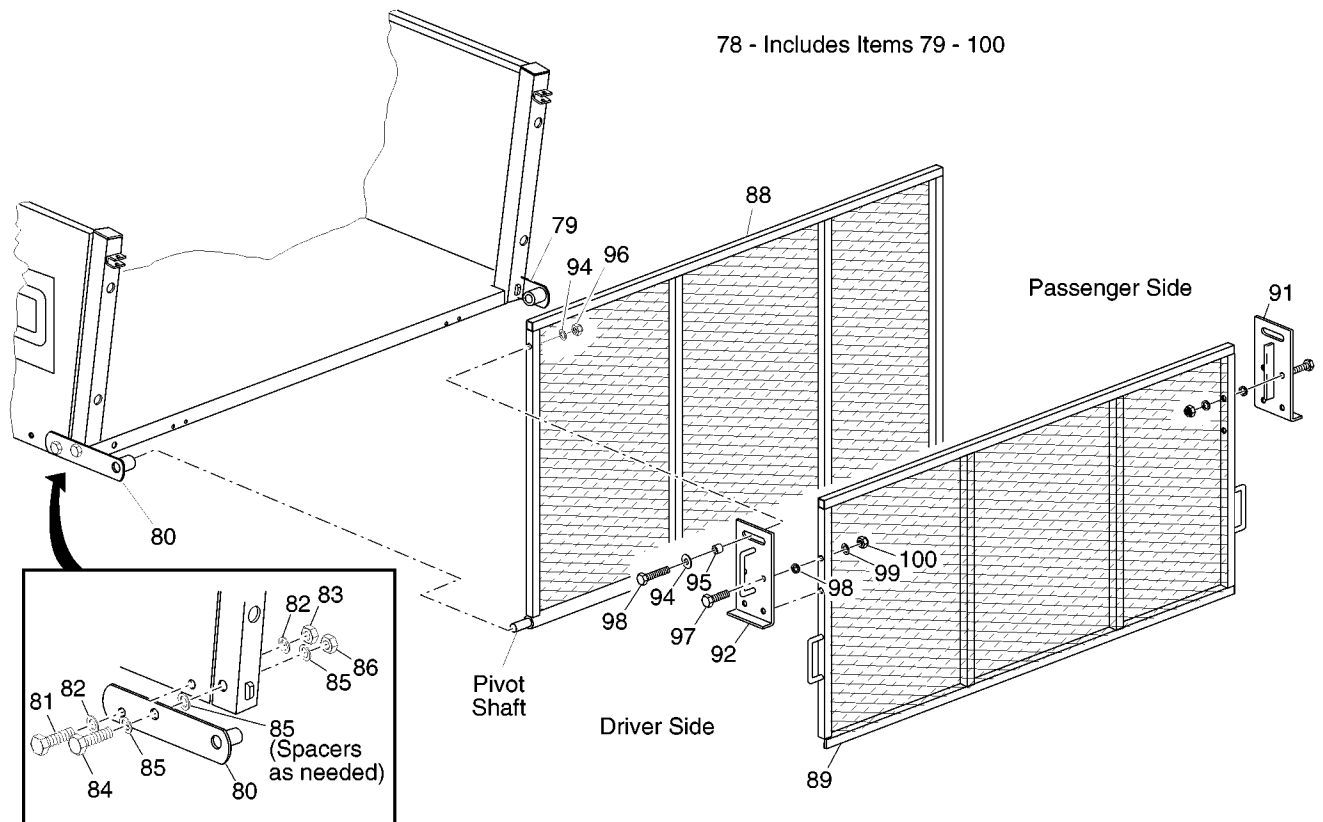
49 - Includes Items 50 - 70



72 - Includes Items 73 - 76



78 - Includes Items 79 - 100



When ordering parts, please specify the model and serial number of the product.

* Indicates a component that is not available as an individual part.

G** Indicates consult Customer Service Department for additional information.

| ITEM | PART NO. | 1 | 2 | 3 | 4 | 5 | DESCRIPTION | QTY. |
|------|-----------|---|---|---|---|---|---|------|
| 1 | 71711-G01 | | | | | | TRUCK BED ASSEMBLY, 40" (ELECTRIC DUMP) (INCLUDES ITEMS 2-37).. | 1 |
| 2 | 71719-G01 | | | | | | BED FRAME, 40" | 1 |
| 3 | 71714-G01 | | | | | | SIDE PANEL, 40" (PASSENGER SIDE)..... | 1 |
| 4 | 71714-G02 | | | | | | SIDE PANEL, 40" (DRIVER SIDE) | 1 |
| 5 | 16705-G3 | | | | | | SCREW, 1/4 - 20 X 3/4" LG..... | 10 |
| 6 | 00915-G1 | | | | | | BONDED WASHER, 1/4" | 10 |
| 7 | 00559-G7 | | | | | | WASHER, 1/4" | 10 |
| 8 | 14390-G4 | | | | | | LOCK NUT, 1/4 - 20..... | 10 |
| 9 | 14601-G8 | | | | | | RIVET, 3/8" X 7/16" LG..... | 2 |
| 10 | | | | | | | | |
| 11 | 71717-G01 | | | | | | END CAP, 1" | 2 |
| 12 | 16705-G6 | | | | | | SCREW, 1/4 - 20 X 1 3/4" LG..... | 4 |
| 13 | 00915-G1 | | | | | | BONDED WASHER, 1/4" | 8 |
| 14 | 14390-G4 | | | | | | LOCK NUT, 1/4 - 20..... | 4 |
| 15 | | | | | | | | |
| 16 | 71837-G01 | | | | | | POST (PASSENGER SIDE) | 1 |
| 17 | 71837-G02 | | | | | | POST (DRIVER SIDE)..... | 1 |
| 18 | 71718-G01 | | | | | | END CAP, 1 1/2" | 2 |
| 19 | 71838-G01 | | | | | | RUBBER BUMPER | 2 |
| 20 | 16705-G3 | | | | | | SCREW, 1/4 - 20 X 3/4" LG..... | 4 |
| 21 | 00915-G1 | | | | | | BONDED WASHER, 1/4" | 4 |
| 22 | 00559-G7 | | | | | | WASHER, 1/4" | 4 |
| 23 | 14390-G4 | | | | | | LOCK NUT, 1/4 - 20..... | 4 |
| 24 | 13437-G8 | | | | | | LOCK SCREW, 3/8 - 16 X 2" LG. | 4 |
| 25 | 11027-G5 | | | | | | LOCK NUT, 3/8 - 16..... | 4 |
| 26 | | | | | | | | |
| 27 | 71732-G01 | | | | | | TAILGATE | 1 |
| 28 | 27666-G01 | | | | | | HINGE | 2 |
| 29 | 01002-G08 | | | | | | SCREW, 1/4 - 20 X 1" LG..... | 4 |
| 30 | 00559-G7 | | | | | | WASHER, 1/4" | 4 |



TRUCK BED, ELECTRIC LIFT

Electric Vehicle

When ordering parts, please specify the model and serial number of the product.

* Indicates a component that is not available as an individual part.

G** Indicates consult Customer Service Department for additional information.

| ITEM | PART NO. | 1 | 2 | 3 | 4 | 5 | DESCRIPTION | QTY. |
|------|-----------|---|---|---|---|---|--|------|
| 31 | 14390-G4 | | | | | | LOCK NUT, 1/4 - 20..... | 4 |
| 32 | 71748-G01 | | | | | | TAILGATE KEEPER | 1 |
| 33 | 16705-G3 | | | | | | SCREW, 1/4 - 20 X 3/4" LG..... | 1 |
| 34 | | | | | | | | |
| 35 | 71083-G01 | | | | | | TAILGATE CABLE | 2 |
| 36 | 00106-G6 | | | | | | SELF THREADING SCREW, #12 - 24 X 3/4" LG..... | 2 |
| 37 | 00915-G1 | | | | | | BONDED WASHER, 1/4" | 2 |
| 38 | | | | | | | | |
| 39 | 70396-G01 | | | | | | BED PIVOT | 2 |
| 40 | 00764-G1 | | | | | | CARRIAGE BOLT, 5/16 - 18 X 3/4" LG..... | 6 |
| 41 | 00559-G8 | | | | | | WASHER, 5/16" | 6 |
| 42 | 11098-G6 | | | | | | LOCK NUT, 5/16 - 18 | 6 |
| 43 | 70291-G01 | | | | | | FLANGED BUSHING..... | 4 |
| 44 | 21682-G1 | | | | | | CLEVIS PIN, 1/2" X 2 7/8" LG..... | 2 |
| 45 | 21683-G1 | | | | | | COTTER PIN, 15/32" X 2 11/16"..... | 2 |
| 46 | | | | | | | | |
| 47 | 71901-G01 | | | | | | DECAL (E-Z-GO) | 1 |
| 48 | | | | | | | | |
| 49 | 74052-G02 | | | | | | ELECTRIC DUMP KIT (INCLUDES ITEMS 50 - 70) | 1 |
| 50 | 74165-G01 | | | | | | CIRCUIT BREAKER MOUNTING BRACKET | 1 |
| 51 | 21320-G4 | | | | | | CIRCUIT BREAKER, 15 AMP | 1 |
| 52 | 00150-G4 | | | | | | SCREW, #10 - 24 X 1/2" LG..... | 2 |
| 53 | 00565-G5 | | | | | | LOCK WASHER, #10 | 2 |
| 54 | 00526-G3 | | | | | | NUT, #10 - 24..... | 2 |
| 55 | 25976-G14 | | | | | | 14 GA WIRE (RED 5")..... | 1 |
| 56 | 27680-G01 | | | | | | TOGGLE SWITCH..... | 1 |
| 57 | 27447-G01 | | | | | | TOGGLE GUARD..... | 1 |
| 58 | 27446-G01 | | | | | | LABEL..... | 1 |
| 59 | 10570-G9 | | | | | | RIVET, 1/8" X 11/32" LG..... | 2 |
| 60 | 71489-G01 | | | | | | SAFETY DECAL | |



When ordering parts, please specify the model and serial number of the product.

* Indicates a component that is not available as an individual part.

G** Indicates consult Customer Service Department for additional information.

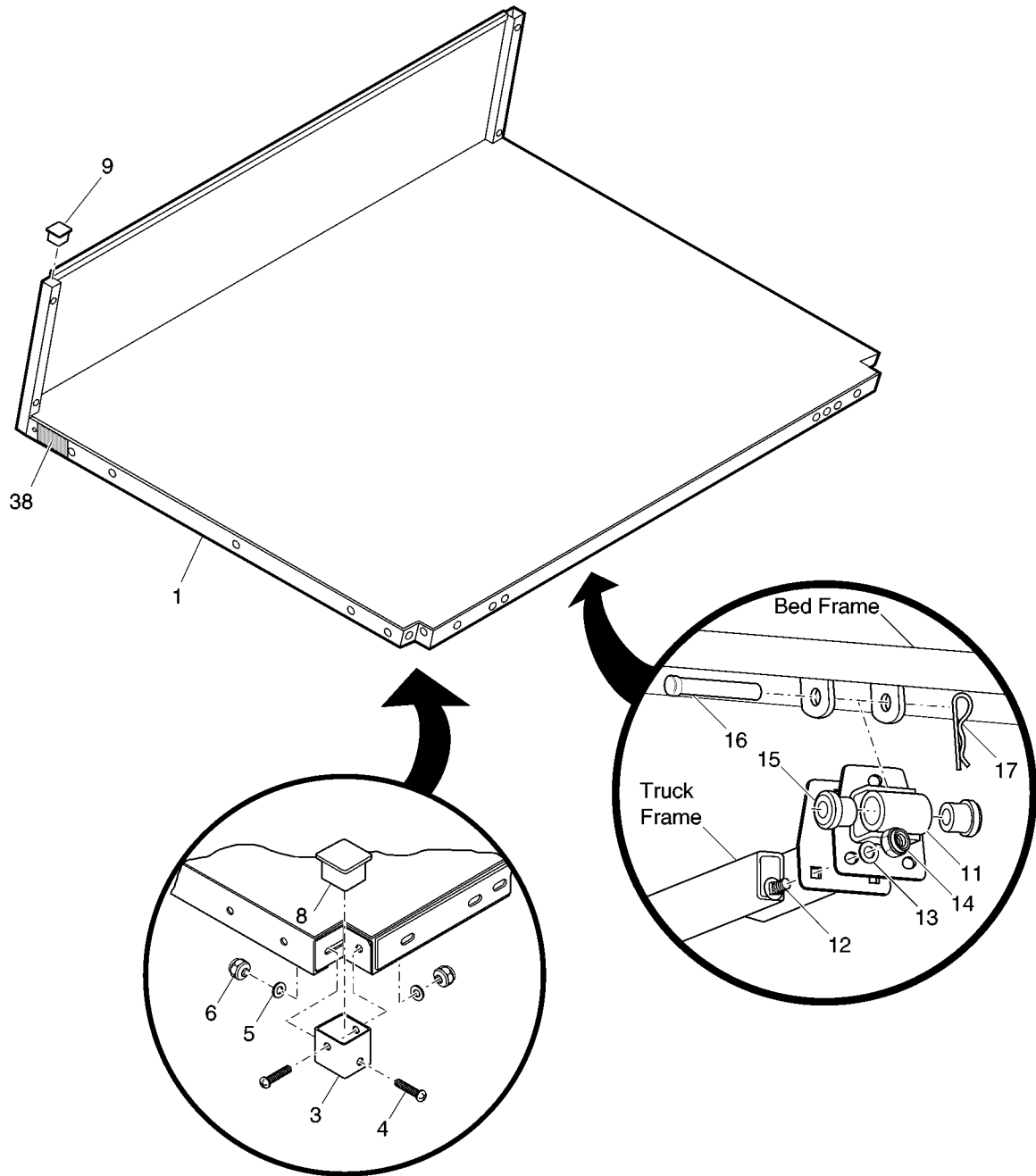
| ITEM | PART NO. | 1 | 2 | 3 | 4 | 5 | DESCRIPTION | QTY. |
|------|-----------|---|---|---|---|---|--|------|
| 61 | 27612-G03 | | | | | | ELECTRIC ACTUATOR | 1 |
| 62 | 27613-G01 | | | | | | SPACER | 2 |
| 63 | 14443-G10 | | | | | | CLEVIS PIN, 1/2" X 2 27/32" LG. | 1 |
| 64 | 21683-G1 | | | | | | COTTER PIN, 2 11/16" LG | 2 |
| 65 | 14443-G11 | | | | | | CLEVIS PIN, 1/2" X 1 3/4" LG | 1 |
| 66 | | | | | | | | |
| 67 | 74054-G01 | | | | | | WIRE HARNESS | 1 |
| 68 | 11845-G3 | | | | | | CABLE CLIP, 11/16" | 2 |
| 69 | 00532-G3 | | | | | | NUT, 5/16 - 18..... | 2 |
| 70 | 17618-G1 | | | | | | WIRE TIE..... | 8 |
| 71 | | | | | | | | |
| 72 | 74035-G03 | | | | | | BED LINER KIT (INCLUDES ITEMS 73 - 76) | 1 |
| 73 | 74234-G01 | | | | | | BED LINER, 40" | 1 |
| 74 | 74235-G01 | | | | | | TAILGATE LINER | 1 |
| 75 | 18436-G1 | | | | | | RIVET, 1/4" X 3/4" LG..... | 4 |
| 76 | 14601-G10 | | | | | | RIVET, 3/16" X 3/8" LG..... | 6 |
| 77 | | | | | | | | |
| 78 | 28334-G01 | | | | | | RAMP KIT (INCLUDES ITEMS 79 - 100) | 1 |
| 79 | 28331-G01 | | | | | | RAMP SUPPORT (PASSENGER SIDE) | 1 |
| 80 | 28331-G02 | | | | | | RAMP SUPPORT (DRIVER SIDE)..... | 1 |
| 81 | 00438-G8 | | | | | | BOLT, 5/16 - 18 X 1" LG | 2 |
| 82 | 00559-G8 | | | | | | WASHER, 5/16" | 4 |
| 83 | 11098-G6 | | | | | | LOCK NUT, 5/16 - 18..... | 2 |
| 84 | 00428-G6 | | | | | | BOLT, 3/8-16 X 2 3/4" LG | 2 |
| 85 | 00562-G1 | | | | | | WASHER, 3/8" | 6 |
| 86 | 11098-G5 | | | | | | LOCK NUT, 3/8 - 16..... | 2 |
| 87 | | | | | | | | |
| 88 | 20264-G1 | | | | | | UPPER RAMP | 1 |
| 89 | 20257-G2 | | | | | | LOWER RAMP | 1 |
| 90 | | | | | | | | |

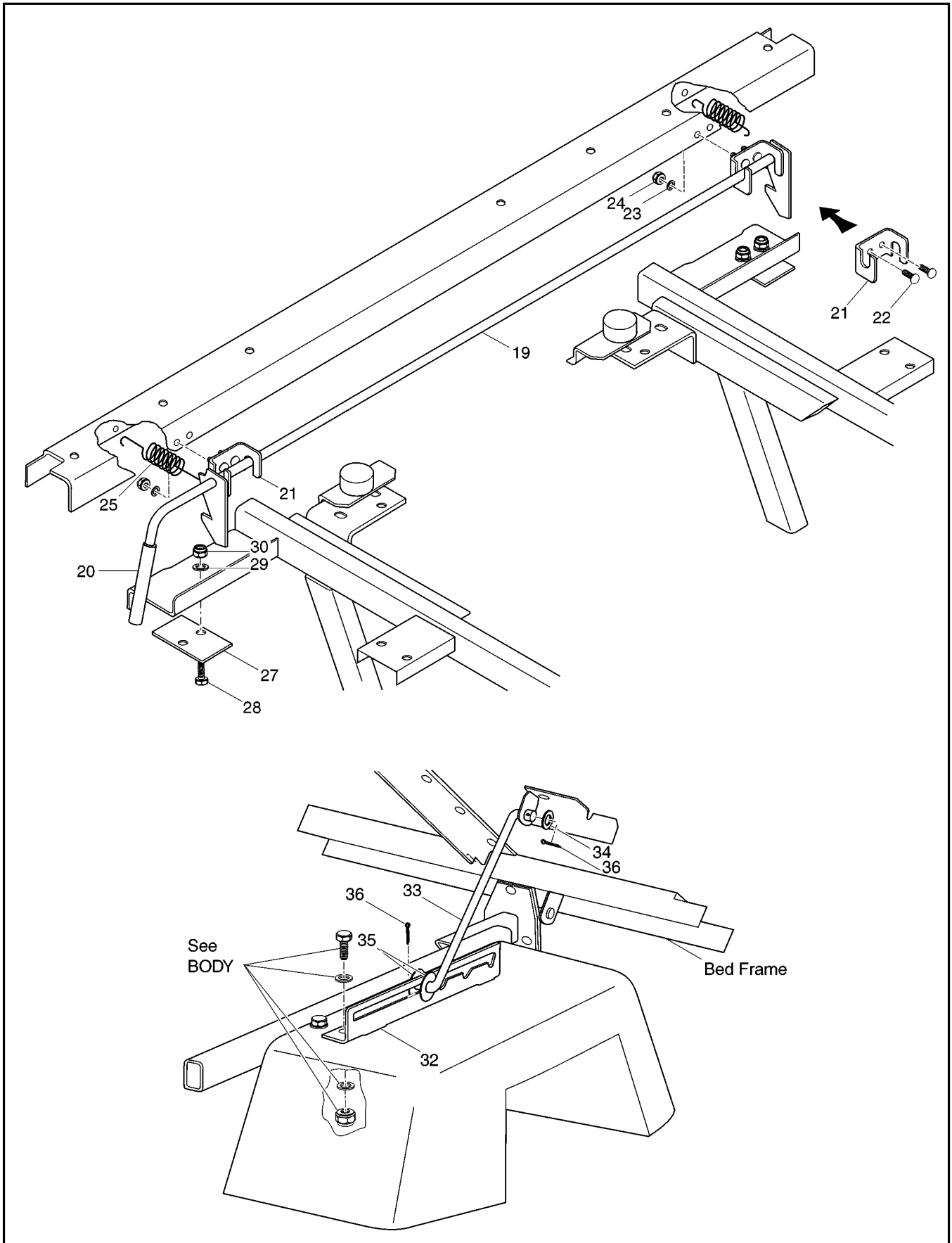


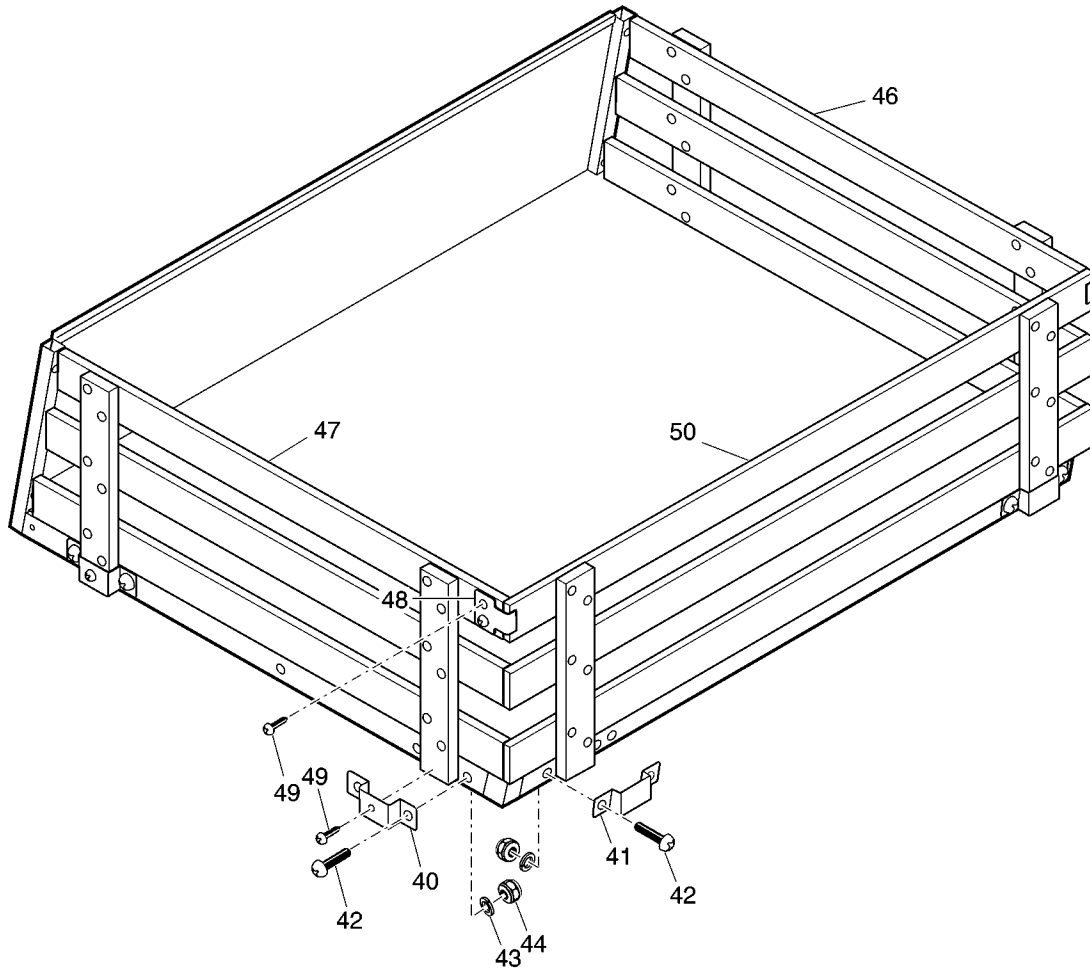
When ordering parts, please specify the model and serial number of the product.
 * Indicates a component that is not available as an individual part.
 G** Indicates consult Customer Service Department for additional information.

| ITEM | PART NO. | 1 | 2 | 3 | 4 | 5 | DESCRIPTION | QTY. |
|------|-----------|---|---|---|---|---|---------------------------------|------|
| 91 | 20252-G1 | | | | | | PIVOT (PASSENGER SIDE) | 1 |
| 92 | 20252-G2 | | | | | | PIVOT (DRIVER SIDE)..... | 1 |
| 93 | 00427-G8 | | | | | | BOLT, 3/8 - 16 X 2" LG | 2 |
| 94 | 00562-G1 | | | | | | WASHER, 3/8" | 4 |
| 95 | 20275-G1 | | | | | | PIVOT SPACER | 2 |
| 96 | 11098-G5 | | | | | | LOCK NUT, 3/8-16..... | 2 |
| 97 | 00439-G6 | | | | | | BOLT, 5/16-18 X 1 3/4" LG | 4 |
| 98 | 00569-G2 | | | | | | WASHER, 5/16" | 4 |
| 99 | 00559-G8 | | | | | | WASHER, 5/16" | 4 |
| 100 | 11098-G6 | | | | | | LOCK NUT, 5/16 - 18..... | 4 |
| 101 | | | | | | | | |
| 102 | 71517-G02 | | | | | | SAFETY LABEL | 1 |









When ordering parts, please specify the model and serial number of the product.

* Indicates a component that is not available as an individual part.

G** Indicates consult Customer Service Department for additional information.

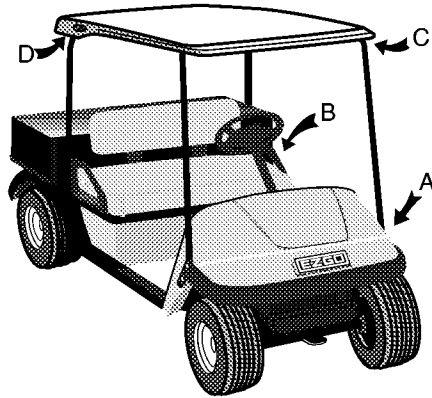
| ITEM | PART NO. | 1 2 3 4 5 | DESCRIPTION | QTY. |
|------|-----------|-----------|--|------|
| 1 | 71719-G01 | | FLAT BED | 1 |
| 2 | | | | |
| 3 | 71772-G01 | | CORNER TUBE | 2 |
| 4 | 00762-G8 | | SCREW, 5/16 - 18 X 2" LG. | 4 |
| 5 | 00559-G8 | | WASHER, 5/16" | 4 |
| 6 | 00550-G3 | | LOCK NUT, 5/16 - 18 | 4 |
| 7 | | | | |
| 8 | 71718-G01 | | END CAP, 1 1/2" | 2 |
| 9 | 71717-G01 | | END CAP, 1" | 2 |
| 10 | | | | |
| 11 | 70396-G01 | | BED PIVOT | 2 |
| 12 | 00764-G2 | | CARRIAGE BOLT, , 5/16 - 18 X 1" LG. | 6 |
| 13 | 00559-G8 | | WASHER, 5/16" | 6 |
| 14 | 11098-G6 | | LOCK NUT, 5/16 - 18 | 6 |
| 15 | 70291-G01 | | FLANGED BUSHING | 4 |
| 16 | 21682-G1 | | CLEVIS PIN, 1/2" X 2 7/8" LG..... | 2 |
| 17 | 21683-G1 | | COTTER PIN, 15/32" X 2 11/16" | 2 |
| 18 | | | | |
| 19 | 71831-G01 | | BED LATCH | 1 |
| 20 | 71704-G01 | | HANDLE GRIP | 1 |
| 21 | 71827-G01 | | LATCH BRACKET | 2 |
| 22 | 01014-G03 | | CARRIAGE BOLT, 1/4 - 20 X 3/4" LG | 4 |
| 23 | 00559-G7 | | WASHER, 1/4" | 4 |
| 24 | 14390-G4 | | LOCK NUT, 1/4 - 20 | 4 |
| 25 | 71707-G01 | | EXTENSION SPRING..... | 2 |
| 26 | | | | |
| 27 | 71766-G01 | | CATCH BRACKET | 2 |
| 28 | 00414-G6 | | BOLT, 1/4 - 20 X 3/4" LG..... | 4 |
| 29 | 00559-G7 | | WASHER, 1/4" | 4 |
| 30 | 14390-G4 | | LOCK NUT, 1/4 - 20 | 4 |



When ordering parts, please specify the model and serial number of the product.
 * Indicates a component that is not available as an individual part.
 G** Indicates consult Customer Service Department for additional information.

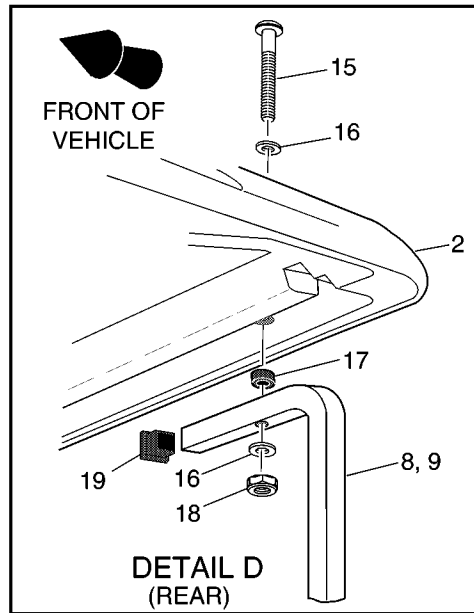
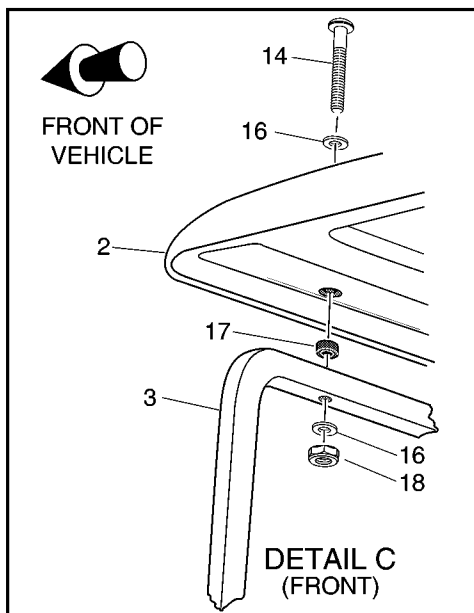
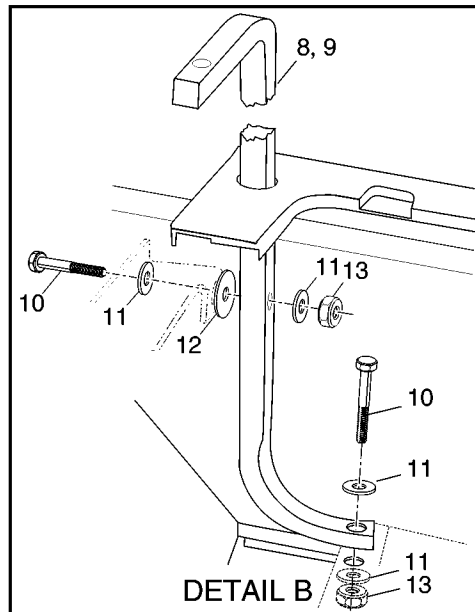
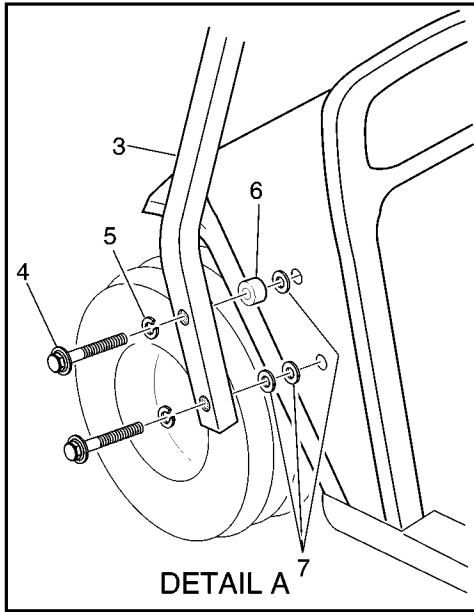
| ITEM | PART NO. | 1 | 2 | 3 | 4 | 5 | DESCRIPTION | QTY. |
|------|-----------|---|---|---|---|---|---|------|
| 31 | | | | | | | | |
| 32 | 71673-G01 | | | | | | PROP BRACKET | 1 |
| 33 | 71657-G01 | | | | | | PROP ROD | 1 |
| 34 | 00560-G3 | | | | | | WASHER, 1/2" | 1 |
| 35 | 15121-G1 | | | | | | WASHER, 3/8" | 2 |
| 36 | 10387-G3 | | | | | | COTTER PIN, 3/32" X 3/4" LG..... | 2 |
| 37 | | | | | | | | |
| 38 | 71777-G01 | | | | | | DECAL (WARNING)..... | 1 |
| 39 | | | | | | | | |
| 40 | 74157-G01 | | | | | | SIDE RAIL SUPPORT | 4 |
| 41 | 74161-G01 | | | | | | BACK RAIL SUPPORT | 2 |
| 42 | 16705-G3 | | | | | | SCREW, 1/4-20 X 3/4" LG. | 12 |
| 43 | 00559-G7 | | | | | | WASHER, 1/4" | 12 |
| 44 | 14390-G4 | | | | | | NUT, 1/4-20 | 12 |
| 45 | | | | | | | | |
| 46 | 74167-G01 | | | | | | SIDE CARGO RACK, 40" (PASSENGER SIDE) | 1 |
| 47 | 74167-G02 | | | | | | SIDE CARGO RACK, 40" (DRIVER SIDE) | 1 |
| 48 | 74079-G01 | | | | | | TAILGATE RETAINER BRACKET | 2 |
| 49 | 00666-G6 | | | | | | SCREW, #10 - 12 X 3/4" LG. | 8 |
| 50 | 74162-G03 | | | | | | REAR CARGO RACK..... | 1 |

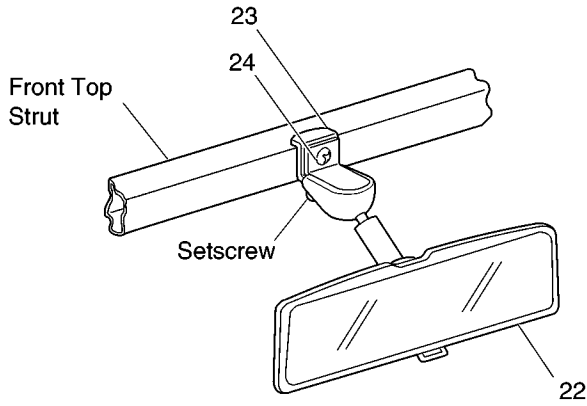




SUN TOP

1 - Includes Items 2 - 19

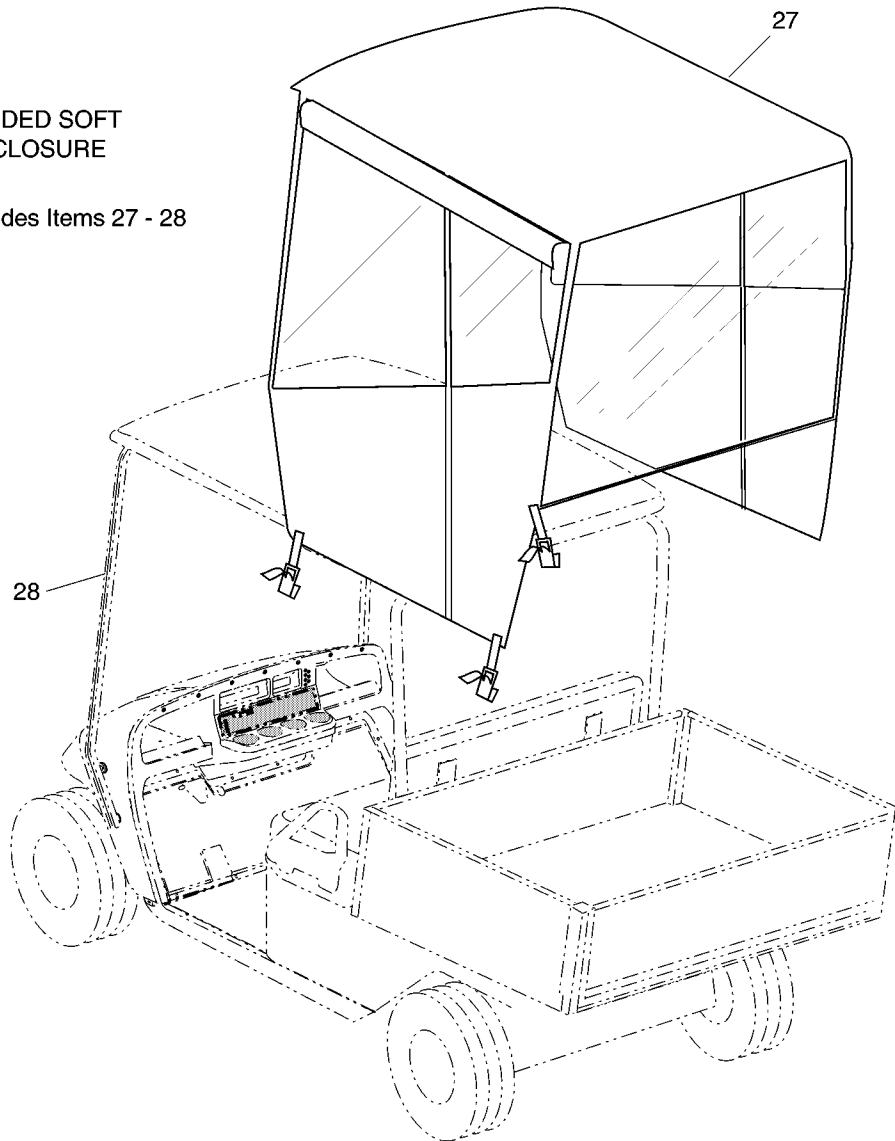


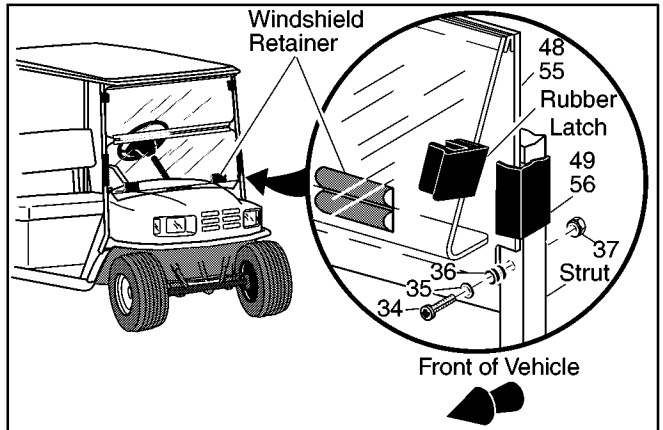
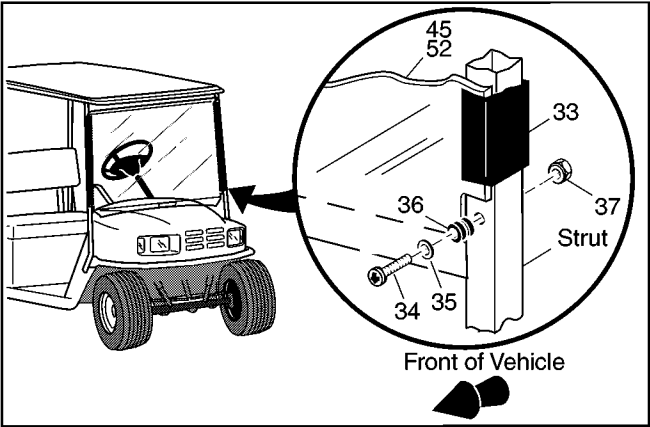
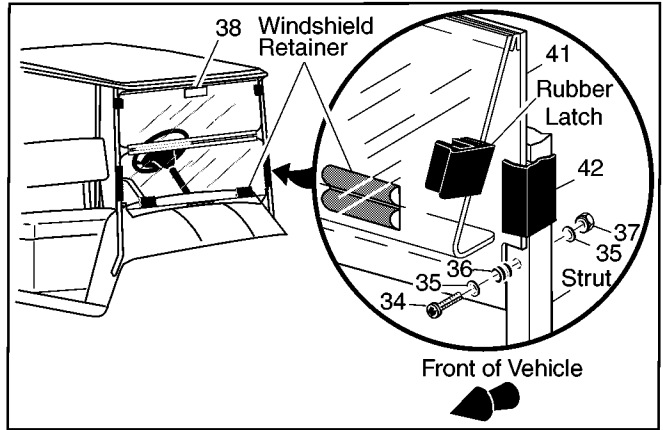
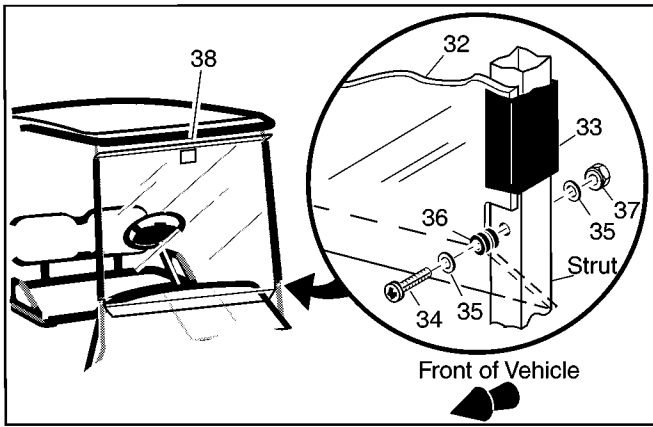


REAR VIEW MIRROR

21 - Includes Items 22 - 24

3-SIDED SOFT ENCLOSURE
26 - Includes Items 27 - 28





When ordering parts, please specify the model and serial number of the product.

* Indicates a component that is not available as an individual part.

G** Indicates consult Customer Service Department for additional information.

| ITEM | PART NO. | 1 2 3 4 5 | DESCRIPTION | QTY. |
|------|-----------|-----------|---|------|
| 1 | 75350-G02 | | SUN TOP KIT (INCLUDES ITEMS 2 - 19) | 1 |
| 2 | 27069-G07 | | SUN TOP..... | 1 |
| 3 | 75045-G01 | | FRONT STRUT | 1 |
| 4 | 01035-G01 | | BOLT, 5/16 - 18 X 2 1/4" LG | 4 |
| 5 | 00905-G8 | | LOCK WASHER, 5/16"..... | 4 |
| 6 | 75048-G01 | | SPACER, 1/2"..... | 2 |
| 7 | 00570-G2 | | WASHER, 5/16"..... | 6 |
| 8 | 75343-G01 | | REAR STRUT (PASSENGER SIDE)..... | 1 |
| 9 | 75343-G02 | | REAR STRUT (DRIVER SIDE) | 1 |
| 10 | 00439-G6 | | BOLT, 5/16 - 18 X 1 3/4" LG | 4 |
| 11 | 00571-G2 | | WASHER, 5/16"..... | 8 |
| 12 | 15121-G1 | | WASHER, 3/8"..... | 2 |
| 13 | 11098-G6 | | LOCK NUT, 5/16 - 18..... | 4 |
| 14 | 00753-G5 | | SCREW, 1/4 - 20 X 2" LG (STAINLESS STEEL) | 2 |
| 15 | 00753-G6 | | SCREW, 1/4 - 20 X 2 1/4" LG (STAINLESS STEEL) | 2 |
| 16 | 00559-G7 | | WASHER, 1/4"..... | 8 |
| 17 | 75051-G01 | | SPACER..... | 4 |
| 18 | 00891-G2 | | LOCK NUT, 1/4 - 20..... | 4 |
| 19 | 19853-G1 | | END CAP, 1"..... | 2 |
| 20 | | | | |
| 21 | 19528-G2 | | REAR VIEW MIRROR KIT (REQUIRES SUN TOP) (INCLUDES ITEMS 22 - 24) | 1 |
| 22 | 19496-G1 | | REAR VIEW MIRROR..... | 1 |
| 23 | 19502-G2 | | SUPPORT BRACKET | 1 |
| 24 | 19527-G1 | | SCREW, #8 - 32 X 5/8" LG (STAINLESS STEEL) | 1 |
| 25 | | | | |
| 26 | 75367-G03 | | 3-SIDED SOFT ENCLOSURE (REQUIRES SUN TOP) (INCL ITEMS 27 - 28) | 1 |
| 27 | * | | ENCLOSURE | 1 |
| 28 | * | | VELCRO..... | AR |
| 29 | | | | |



Replacement parts for the windshield may be obtained from Eagle Parts, Inc. 1811 Wilkinson Rd. Augusta, GA 30904. Telephone (706) 729-9911 or FAX (706) 729-9955

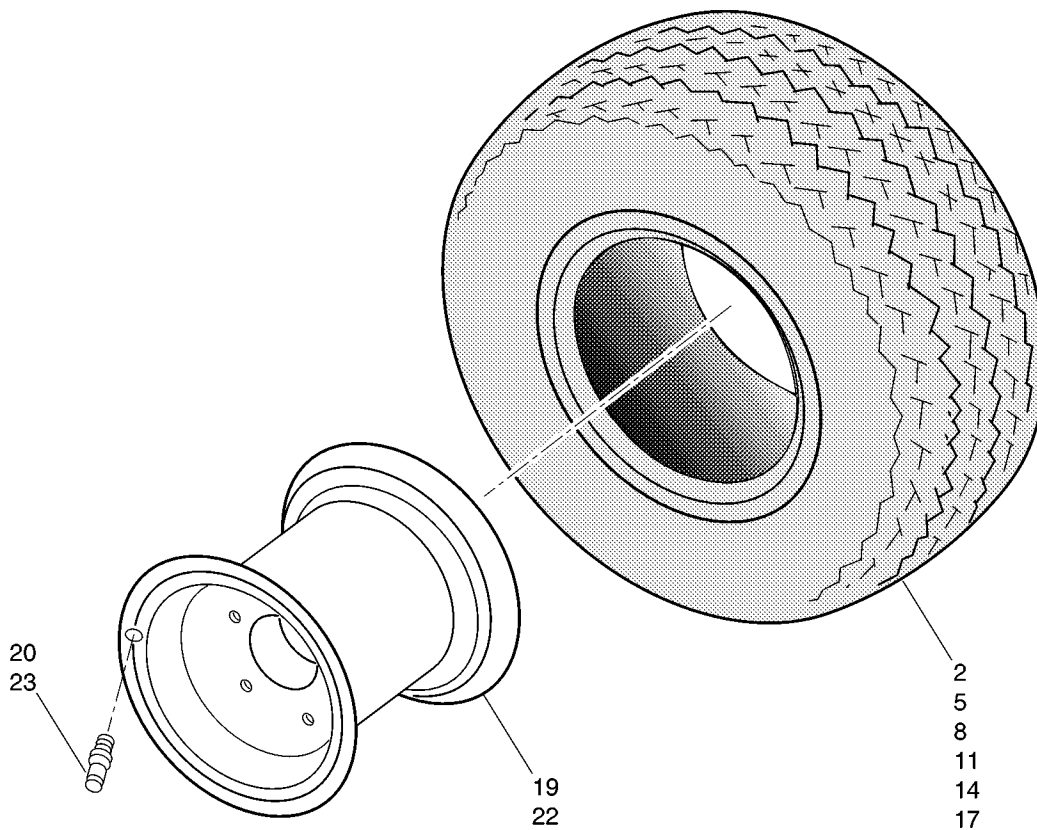
* Indicates a component that is not available as an individual part.

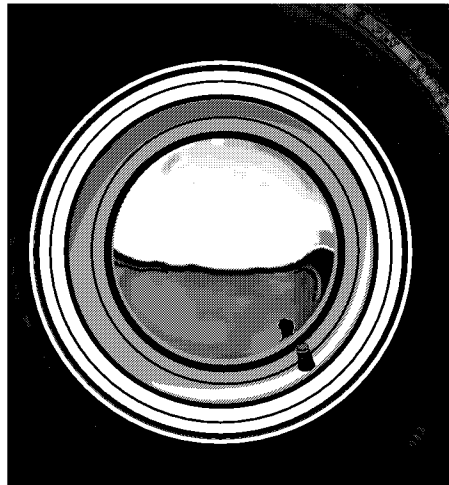
G** Indicates consult Customer Service Department for additional information.

| ITEM | PART NO. | 1 | 2 | 3 | 4 | 5 | DESCRIPTION | QTY. |
|------|-----------|---|---|---|---|---|--|------|
| 30 | | | | | | | | |
| 31 | 75524-G01 | | | | | | WINDSHIELD KIT (FULL (1000) (INCLUDES ITEMS 32 - 38)..... | 1 |
| 32 | EGWFX03 | | | | | | WINDSHIELD (FULL)..... | 1 |
| 33 | EGWHC12 | | | | | | SASH, 26" LG..... | 2 |
| 34 | EGWHS12 | | | | | | BOLT, 1/4 - 20 X 1 3/4" LG. (STAINLESS STEEL)..... | 2 |
| 35 | EGWHW12 | | | | | | WASHER, 1/4" (STAINLESS STEEL) | 4 |
| 36 | EGWHG13 | | | | | | RUBBER GROMMET | 2 |
| 37 | EGWHN12 | | | | | | LOCK NUT, 1/4 - 20 (STAINLESS STEEL) | 2 |
| 38 | EGWHL14 | | | | | | SAFETY LABEL | 1 |
| 39 | | | | | | | | |
| 40 | 75525-G01 | | | | | | WINDSHIELD KIT (SPLIT) (1000) (INCLUDES ITEMS 41, 42, 34 - 38)..... | 1 |
| 41 | EGWSX03 | | | | | | WINDSHIELD (SPLIT)..... | 1 |
| 42 | EGWHC10 | | | | | | SASH, 12" LG..... | 2 |
| 43 | | | | | | | | |
| 44 | 71966-G03 | | | | | | WINDSHIELD KIT (FULL) (1000LX) (INCLUDES ITEMS 45, 33 - 37) | 1 |
| 45 | 71960-G01 | | | | | | WINDSHIELD (FULL)..... | 1 |
| 46 | | | | | | | | |
| 47 | 71966-G04 | | | | | | WINDSHIELD KIT (SPLIT) (1000LX) (INCLUDES ITEMS 48, 49, 34 - 37) | 1 |
| 48 | 71961-G01 | | | | | | WINDSHIELD (SPLIT)..... | 1 |
| 49 | EGWHC10 | | | | | | SASH, 12" LG..... | 2 |
| 50 | | | | | | | | |
| 51 | 71966-G01 | | | | | | WINDSHIELD KIT (FULL (1000LX) (INCLUDES ITEMS 52, 33 - 37)..... | 1 |
| 52 | 71954-G01 | | | | | | WINDSHIELD (FULL) (LEXAN)..... | 1 |
| 53 | | | | | | | | |
| 54 | 71966-G02 | | | | | | WINDSHIELD KIT (SPLIT) (1000LX) (INCLUDES ITEMS 55, 56, 34 - 37) | 1 |
| 55 | 71955-G01 | | | | | | WINDSHIELD (SPLIT) (LEXAN) | 1 |
| 56 | EGWHC10 | | | | | | SASH, 12" LG..... | 2 |

- 1 - Includes Items 2, 19, 20
- 4 - Includes Items 5, 19, 20
- 7 - Includes Items 8, 19, 20
- 10 - Includes Items 11, 19, 20
- 13 - Includes Items 14, 22, 23
- 16 - Includes Items 17, 22, 23

Tire design may vary by Part Number

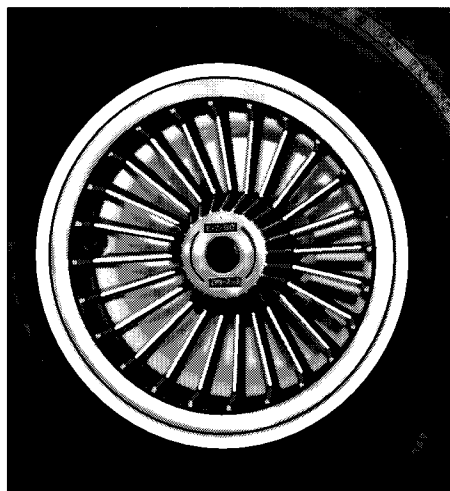




6"CHROME HUBCAP
27



8"CHROME HUBCAP
26



GOLD / SILVER SPOKE HUBCAP
28, 29

WHEELS AND TIRES

Electric Vehicle

When ordering parts, please specify the model and serial number of the product.

* Indicates a component that is not available as an individual part.

G** Indicates consult Customer Service Department for additional information.

| ITEM | PART NO. | 1 2 3 4 5 | DESCRIPTION | QTY. |
|------|-----------|-----------|---|------|
| 1 | 27772-G01 | | WHEEL AND TIRE ASSEMBLY, LINKS (INCLUDES ITEMS 2, 19, 20) | A/R |
| 2 | 27772-G05 | | CARLISLE TIRE (LINKS 18 X 8.5 - 8, 4 PLY RATED)..... | A/R |
| 3 | | | | |
| 4 | 27772-G03 | | WHEEL AND TIRE ASSEMBLY, TURF SAVER (INCLUDES ITEMS 5, 19, 20) .. | A/R |
| 5 | 27772-G07 | | CARLISLE TIRE (TURF SAVER 18 X 8.5 - 8, 4 PLY RATED) | A/R |
| 6 | | | | |
| 7 | 27772-G09 | | WHEEL AND TIRE ASSEMBLY, LINKS (INCLUDES ITEMS 8, 19, 20) | A/R |
| 8 | 27772-G10 | | CARLISLE TIRE (LINKS 18 X 8.5 - 8, 4 PLY RATED)..... | A/R |
| 9 | | | | |
| 10 | 27775-G01 | | WHEEL AND TIRE ASSEMBLY, USA TRAIL (INCLUDES ITEMS 11, 19, 20) ... | A/R |
| 11 | 27775-G02 | | CARLISLE TIRE (USA TRAIL 6 PLY 18.5 X 8.5 - 8, LOAD RANGE C) | A/R |
| 12 | | | | |
| 13 | 27784-G02 | | WHEEL AND TIRE ASSEMBLY, USA TRAIL (INCLUDES ITEMS 14, 22, 23) ... | A/R |
| 14 | 27784-G04 | | CARLISLE TIRE (USA TRAIL 18.5 X 5.7 - 8, LOAD RANGE C)..... | A/R |
| 15 | | | | |
| 16 | 35154-G03 | | WHEEL AND TIRE ASSEMBLY, FOAM FILLED USA TRAIL (INCLUDES ITEMS 17, 22, 23) | A/R |
| 17 | 27784-G01 | | CARLISLE TIRE (USA TRAIL 18.5 X 5.7 - 8)..... | A/R |
| 18 | | | | |
| 19 | 15169-G2 | | WHEEL RIM (4 LUG)..... | A/R |
| 20 | 11657-G1 | | VALVE STEM..... | A/R |
| 21 | | | | |
| 22 | 33678-G01 | | WHEEL RIM (4 LUG)..... | A/R |
| 23 | 26482-G01 | | VALVE STEM (METAL)..... | A/R |
| 24 | | | | |
| 25 | 14913-G* | | 8" CHROME HUBCAP (OPTIONAL)..... | A/R |
| 26 | 16042-G* | | 6" CHROME HUBCAP (OPTIONAL)..... | A/R |
| 27 | 19241-G* | | GOLD SPOKE HUBCAP (OPTIONAL) | A/R |
| 28 | 19241-G* | | SILVER SPOKE HUBCAP (OPTIONAL) | A/R |



SPECIALTY PRODUCTS

SPECIALTY PRODUCTS

SPECIALTY PRODUCTS

| SPECIAL TOOLS | PART NO. |
|--|-----------------|
| BATTERY MAINTENANCE KIT | 25587-G01 |
| SEAL INSTALLATION TOOL (REAR AXLE SHAFT SEAL)..... | 18739-G1 |
| BATTERY SET DISCHARGER, 36 VOLT, 75 AMP | 28251-G01 |
| CURRENT INDICATOR..... | 16489-G2 |
| DIGITAL MULTI-METER..... | 27481-G01 |
| CRIMPING TOOL | 27765-G01 |
| SLIDE HAMMER (AXLE/HUB REMOVAL) | 15947-G1 |
| SLIDE HAMMER (AXLE REMOVAL ONLY) | 18753-G1 |

PAINT

| | |
|---|-----------|
| .6 OUNCE BRUSH ON PAINT - HUNTER GREEN..... | 28432-G02 |
| .6 OUNCE BRUSH ON PAINT - INDUSTRIAL YELLOW | 28432-G03 |
| 12 OUNCE SPRAY - HUNTER GREEN | 28140-G09 |
| 12 OUNCE SPRAY - INDUSTRIAL YELLOW | 28140-G14 |

PERFORMANCE PRODUCTS

| | |
|---|-----------|
| FORMULA 40 VINYL-COAT® - WHITE..... | 28166-G01 |
| PLEXUS® CLEANER, 7 OUNCE (FOR WINDSHIELDS)..... | 28433-G01 |
| PLEXUS® CLEANER, 13 OUNCE (FOR WINDSHIELDS)..... | 28433-G02 |
| BATTERY PROTECTOR, 14 OUNCE SPRAY | 75500-G01 |
| WHITE LITHIUM GREASE, 14 OUNCE SPRAY | 75502-G01 |
| PENETRANT/LUBRICANT, 15 OUNCE SPRAY | 75503-G01 |
| MULTI-PURPOSE CLEANER & DEGREASER, 14 OUNCE SPRAY..... | 75504-G01 |
| MULTI-PURPOSE HAND CLEANER, 32 OUNCE LIQUID..... | 75505-G01 |
| BATTERY CLEANER, 32 OUNCE WITH TRIGGER SPRAYER | 75506-G01 |
| BIO-DEGRADABLE CLEANER, 32 OUNCE WITH TRIGGER SPRAYER | 75507-G01 |
| MULTI-PURPOSE VALUE PACK..... | 75508-G01 |
| • BATTERY PROTECTOR, 4 OUNCE SPRAY | |
| • PENETRANT/LUBRICANT, 4 OUNCE SPRAY | |
| • WHITE LITHIUM GREASE, 4 OUNCE SPRAY | |
| • CARBURETOR & CHOKE CLEANER, 4 OUNCE SPRAY | |

ACCESSORIES

ACCESSORIES LISTING

ACCESSORIES

| ACCESSORIES LISTING | KIT NO. | |
|---|-----------------|------------------------|
| ASHTRAY KIT | 75109-G02 | See BODY |
| BALL HITCH KIT | 75326-G02 | See BODY |
| CLEVIS HITCH KIT | 75327-G02 | See BODY |
| CHROME HUB CAP 8" | 14913-G* | See WHEELS AND TIRES |
| CHROME HUB CAP 6" | 16042-G* | See WHEELS AND TIRES |
| DEFROSTER/COOLING FAN | 74248-G01 | See CAB |
| DOOR SET | 74301-G0* | See CAB |
| DOOR SET (VINYL) | 74242-G01 | See CAB |
| ELECTRIC DUMP KIT | 74052-G02 | See TRUCKBED |
| GLOVE BOX DOOR | 75459-G0* | See BODY |
| HOUR METER KIT | 75113-G02 | See ELECTRICAL SYSTEM |
| INSIDE MIRROR | 27924-G01 | See WEATHER PROTECTION |
| INSTRUMENT/SWITCH PANEL | 74250-G01 | See CAB |
| RAMP | 28334-G01 | See TRUCKBED |
| REAR VIEW MIRROR KIT | 19528-G2 | See WEATHER PROTECTION |
| SOFT ENCLOSURE | 75367-G01 | See WEATHER PROTECTION |
| STEEL CAB, W/O DOORS (1000 LX) | 74294-G0* | See CAB |
| STEEL CAB, W/O DOORS (1000) | 74300-G0* | See CAB |
| STROBE LIGHT | 74245-G01 | See CAB |
| SUN TOP KIT | 75350-G02 | See WEATHER PROTECTION |
| TURN SIGNAL KIT | 75107-G02 | See ELECTRICAL SYSTEM |
| GOLD SPOKE WHEEL COVERS | 19241-G* | See WHEELS AND TIRES |
| SILVER SPOKE WHEEL COVERS | 19241-G* | See WHEELS AND TIRES |
| WINDSHIELD (FULL) (1000) | 75524-G01 | See WEATHER PROTECTION |
| WINDSHIELD (SPLIT) (1000) | 75525-G01 | See WEATHER PROTECTION |
| WINDSHIELDS (1000 LX) | 71966-G0* | See WEATHER PROTECTION |
| WINDSHIELD WIPER | 74244-G01 | See CAB |
| WORK LIGHTS | 74247-G01 | See CAB |
| WORK LIGHT BAR WITH LIGHTS | 71354-G04 | See ELECTRICAL SYSTEM |
| WORK LIGHT BAR WITH STROBE | 71354-G05 | See ELECTRICAL SYSTEM |
| WORK LIGHT BAR WITH LIGHTS AND STROBE | 71354-G06 | See ELECTRICAL SYSTEM |



a **TEXTRON** Company

E-Z-GO Division of Textron Inc.

P.O. Box 388 Augusta, Georgia 30903-0388 USA

Inside USA Phone: 1-800-241-5855, FAX: 1-800-448-8124

Outside USA Phone: 010-1-706-798-4311, FAX: 010-1-706-771-4609

Copyrighted Material
This manual may not be reproduced in whole or
in part without the express permission of
E-Z-GO Division of Textron Inc.
Technical Communications Department