

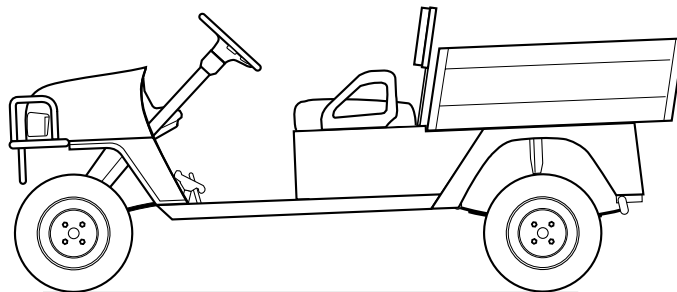
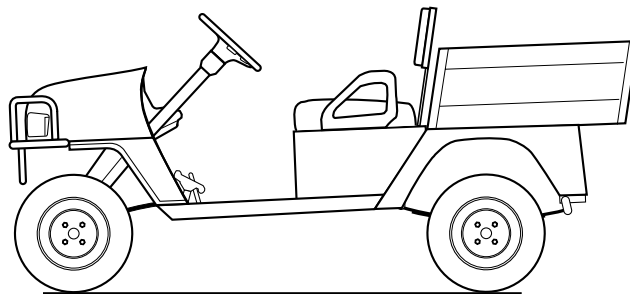
28765-G01

TEXTRON

GOLF, TURF & SPECIALTY PRODUCTS



SERVICE PARTS MANUAL



GASOLINE POWERED UTILITY VEHICLES

STARTING MODEL YEAR: 2002

REVISED 7/2002

SERVICE PARTS MANUAL

GASOLINE POWERED UTILITY VEHICLES

ST 350

ST SPORT

Textron Golf, Turf & Specialty Products reserves the right to make design changes without obligation to make these changes on units previously sold and the information contained in this manual is subject to change without notice.

Textron Golf, Turf & Specialty Products is not liable for errors in this manual or for incidental or consequential damages that result from the use of the material in this manual.

CUSTOMER SERVICE DEPARTMENT IN USA PHONE: 1-800-241-5855 FAX: 1-800-448-8124

OUTSIDE USA PHONE: 010-1-706-798-4311, FAX: 010-1-706-771-4609

TEXTRON GOLF, TURF & SPECIALTY PRODUCTS, P.O.BOX 388, AUGUSTA, GEORGIA USA 30903-0388

NOTES

To obtain a copy of the limited warranty applicable to the vehicle, call or write a local Distributor, authorized Branch or Warranty Department with vehicle serial number and manufacture date code.

The use of non Original Equipment Manufacturer (OEM) parts may void the warranty.

Tampering with or adjusting the governor to permit vehicle to operate at above factory specifications will void the vehicle warranty.

When servicing engines, all adjustments and replacement components must be per original vehicle specifications in order to maintain the United States of America Federal and State emission certification applicable at time of manufacture.

BATTERY PROLONGED STORAGE

All batteries will self discharge over time. The rate of self discharge varies depending on the ambient temperature and the age and condition of the batteries.

A fully charged battery will not freeze in winter temperatures unless the temperature falls below -75° F (-60° C).

TABLE OF CONTENTS

SECTION	Page No.
HOW TO USE THE SERVICE PARTS MANUAL	vii
ILLUSTRATED PARTS BREAKDOWN	ix
ACCELERATOR - ALL CABLES	A-1
ACCELERATOR - CABLE AND LINKAGES	A-7
AIR CLEANER	B-1
BODY	C-1
BRAKES	D-1
CAB (FLAT WINDSHIELD)	E-1
CAB (CURVED WINDSHIELD)	E-9
CARBURETOR AND CHOKE	F-1
CLUTCH	G-1
DIRECTION SELECTOR - SINGLE CABLE	H-1
DIRECTION SELECTOR - DUAL CABLE	H-5
ELECTRICAL SYSTEM	J-1
ENGINE AND MUFFLER	K-1
ENGINE MOUNTING	L-1
FRONT SUSPENSION	M-1
FUEL SYSTEM	N-1
REAR AXLE - SINGLE CABLE SHIFTER	P-1
REAR AXLE - DUAL CABLE SHIFTER	P-3
REAR SUSPENSION	Q-1
SEATING	R-1
STARTER / GENERATOR	S-1
STEERING	T-1
TRUCK BEDS - ST 350	U-1
TRUCK BEDS - ST SPORT	U-13
WEATHER PROTECTION	V-1
WHEELS AND TIRES	W-1
WINCH - ST 350	X-1

TABLE OF CONTENTS

Notes:

SPECIALTY PRODUCTS APPENDIX A-1

TABLE OF CONTENTS

SECTION	Page No.
OPTIONS/ACCESSORIES	APPENDIX B-1
INDEX OF MAJOR COMPONENTS	INDEX-1

TABLE OF CONTENTS

SECTION

Page No.

HOW TO USE THE SERVICE PARTS MANUAL

This manual is divided into several sections:

GENERAL INFORMATION

- TABLE OF CONTENTS
- HOW TO USE THE SERVICE PARTS MANUAL

ILLUSTRATED PARTS BREAKDOWN

- Contains illustrations and parts lists for all systems of the vehicle

APPENDIX

- Contains a listing of specialty products and options/accessories

INDEX OF MAJOR COMPONENTS

- Contains a listing of parts (excluding hardware) grouped by part number and description and indicates on which page(s) they can be found

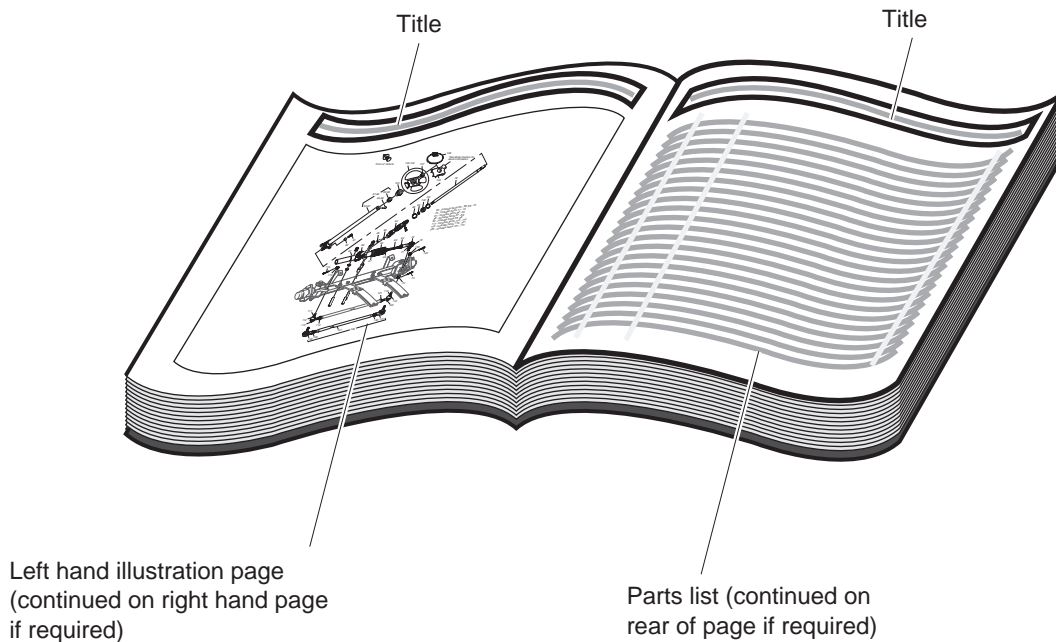
USE OF THE MANUAL

To use this manual, consult the TABLE OF CONTENTS (page iii) or the INDEX OF MAJOR COMPONENTS (located at rear of this manual) to locate the information or illustration required.

Introduction of some revisions varies due to supply of components; therefore, it is possible that various combinations of components may be found that are not directly reflected by each illustration. Consult the illustration that best suits your situation. Locate the serial number plate (see BODY located in the Illustrated Parts Breakdown section of this manual for its location) and note the complete number shown on the plate. It is important that the serial number of your vehicle and its model number be supplied to Service Parts when ordering any replacement components.

Locate the serial number plate (see BODY located in the Illustrated Parts Breakdown section of this manual for its location) and note the complete number shown on the plate.

HOW TO USE THE SERVICE PARTS MANUAL



1. WHEN THE PART NUMBER IS NOT KNOWN

- Determine the function and application of the part required. Turn to the INDEX OF MAJOR COMPONENTS and select the most appropriate component description.
- Turn to the page number indicated and locate the part description in the parts list. Read the full accompanying description for specific information regarding the part that was not shown in the index.
- From the parts list, obtain the item number assigned to it and confirm that the part selected is correct by verifying it with the pictorial representation on the illustrated page.

2. IF YOU KNOW THE PART NUMBER

- Use the INDEX OF MAJOR COMPONENTS to find the page(s) the part number appears on.
- Turn to the page number indicated and locate the part number in the parts list. Refer to the accompanying description for specific information regarding the part.
- From the parts list, obtain the item number assigned to it and confirm that the part selected is correct by verifying it with the pictorial representation on the illustrated page.

Should an asterisk (*) appear in the part number column on the parts list page, read upwards until a part number is found. The part number is the lowest assembly sold by Service Parts. The asterisk (*) indicates that the part depicted is not available for purchase.

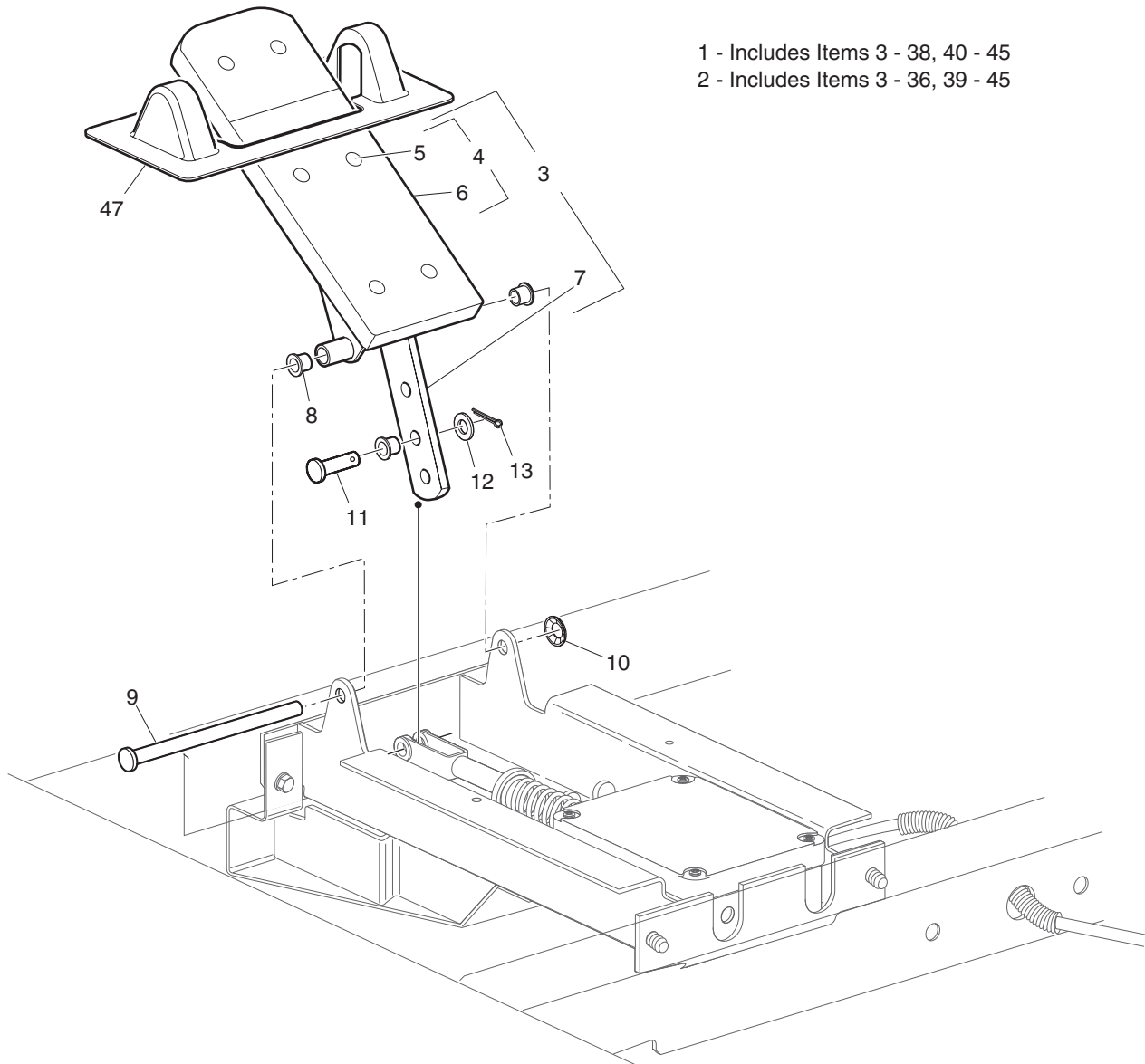
NOTE: Descriptions are indented under the assembly that they are used on. That assembly is, in turn listed under the assembly that it is used on. This process is repeated until the highest final assembly is reached.

To facilitate the maintenance and repair of the vehicle, a Technician's Repair and Service Manual is available from the Service Parts Department.

ILLUSTRATED PARTS BREAKDOWN

ILLUSTRATED PARTS BREAKDOWN

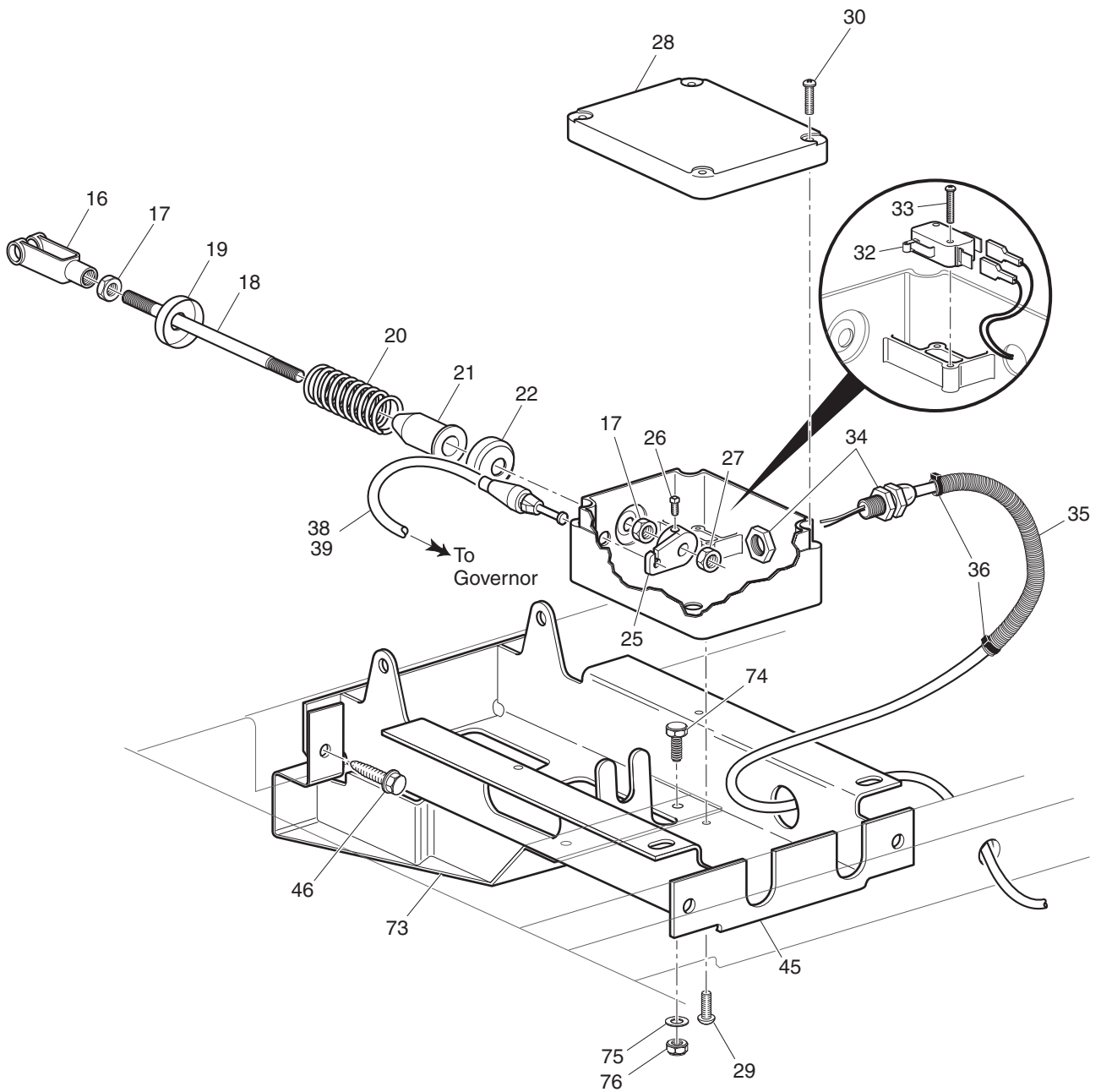
ACCELERATOR - ALL CABLES



1 - Includes Items 3 - 38, 40 - 45
2 - Includes Items 3 - 36, 39 - 45

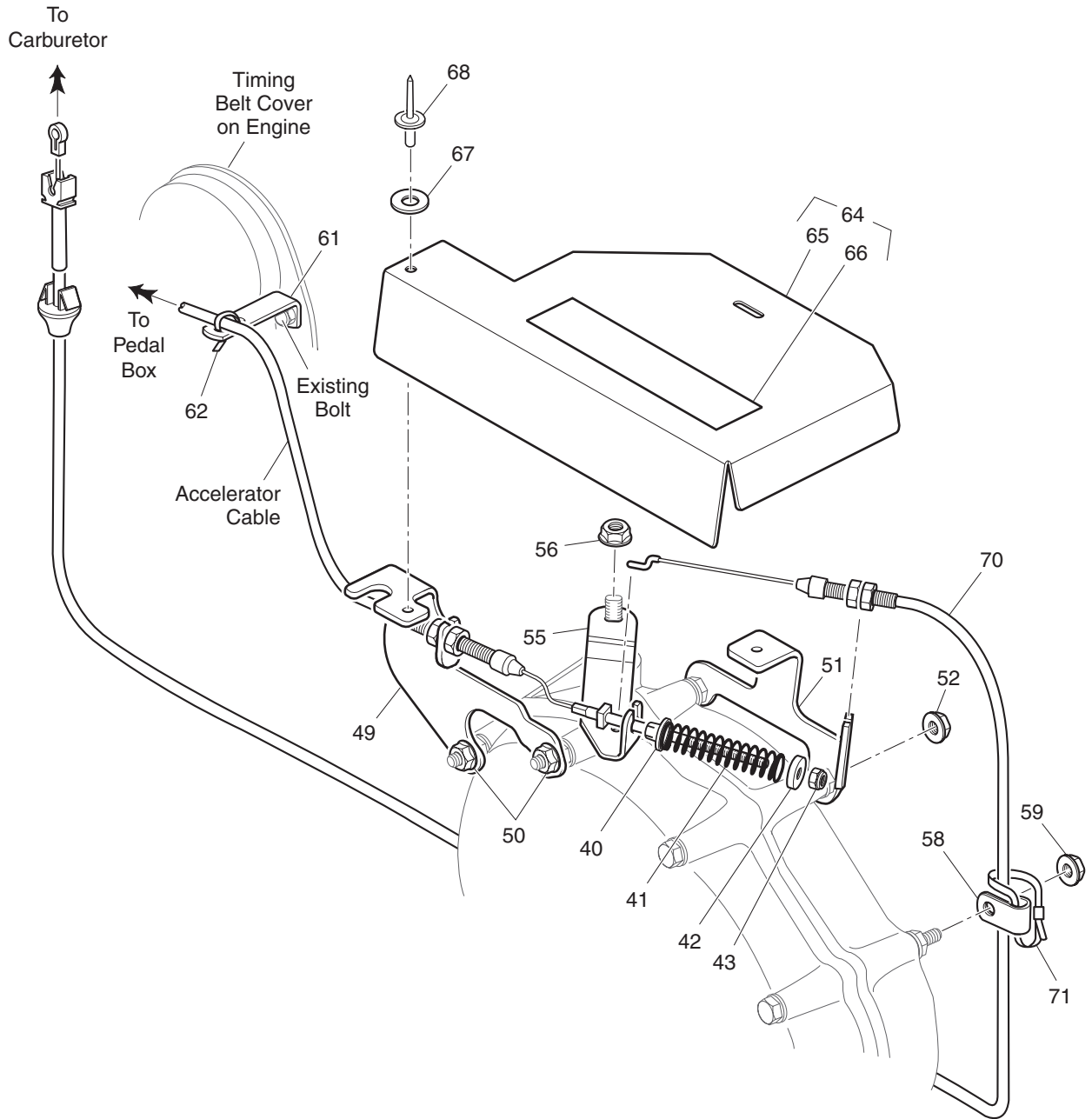
Ref Acc 9-1

ACCELERATOR - ALL CABLES



Ref Acc 9-2

ACCELERATOR - ALL CABLES



Ref Acc 9-3

ACCELERATOR - ALL CABLES

When ordering parts, please specify the model and serial number of the product.

* Indicates a component that is not available as an individual part.

G** Indicates consult Customer Service Department for additional information.

ITEM	PART NO.	1	2	3	4	5	DESCRIPTION	QTY.
1	72717-G01						PEDAL BOX ASSEMBLY (INCLUDES ITEMS 3 - 38, 40 - 45) (ST SPORT).....	1
2	72717-G02						PEDAL BOX ASSEMBLY (INCLUDES ITEMS 3 - 36, 39 - 45) (ST 350).....	1
3	25799-G01						ACCELERATOR PEDAL ASSEMBLY (INCLUDES ITEMS 4 - 7).....	1
4	27844-G01						ACCELERATOR PEDAL PAD KIT (INCLUDES ITEMS 5 - 6).....	1
5	15766-G1						OVAL RIVET, 3/16" X 7/16" LG.....	6
6	27512-G01						ACCELERATOR PEDAL PAD	1
7	*						ACCELERATOR PEDAL.....	1
8	17838-G1						NYLON BUSHING	3
9	74432-G01						PEDAL PIVOT PIN	1
10	12064-G6						PUSH NUT, 9/32".....	1
11	10386-G3						CLEVIS PIN, 5/16" X 13/16" LG	1
12	17255-G1						TEFLON WASHER, 5/16".....	1
13	10387-G3						COTTER PIN, 3/32" X 3/4" LG	1
14								
15								
16	10385-G4						CLEVIS YOKE (ADJUSTABLE).....	1
17	00532-G4						NUT, 5/16 - 24.....	2
18	72072-G01						ACCELERATOR ROD	1
19	17677-G2						SPRING RETAINER	1
20	73046-G01						COMPRESSION SPRING	1
21	17979-G1						ACCELERATOR ROD BUSHING.....	1
22	17677-G1						SPRING RETAINER	1
23								
24								
25	72716-G01						MICRO SWITCH CAM.....	1
26	00487-G3						SETSCREW, 1/4 - 20 X 3/8" LG	1
27	00550-G4						LOCK NUT, 5/16 - 24.....	1
28	25853-G03						PEDAL BOX AND COVER	1
29	01051-G01						SCREW, #8 - 16 X 1/2" LG	4
30	00684-G6						SCREW, #8 - 32 X 3/4" LG (STAINLESS STEEL).....	4

ACCELERATOR - ALL CABLES

When ordering parts, please specify the model and serial number of the product.

* Indicates a component that is not available as an individual part.

G** Indicates consult Customer Service Department for additional information.

ITEM	PART NO.	1 2 3 4 5	DESCRIPTION	QTY.
31				
32	25861-G01		MICRO SWITCH.....	1
33	01050-G01		SCREW, #4 - 20 X 5/8" LG	2
34	72201-G04		WIRE HARNESS (PEDAL BOX)	1
35	17313-G1		LOOM FLEX (BULK).....	AR
36	17618-G1		WIRE TIE	2
37				
38	72713-G01		ACCELERATOR CABLE (ST SPORT)	1
39	72713-G02		ACCELERATOR CABLE (ST 350).....	1
40	72706-G01		ACCELERATOR CABLE BUSHING	1
41	72809-G01		COMPRESSION SPRING	1
42	25727-G02		CUP WASHER, 1/5"	1
43	00734-G5		LOCK NUT, #10 - 32.....	1
44				
45	70116-G01		ACCELERATOR PEDAL BRACKET.....	1
46	00715-G2		BOLT, 5/16 - 18 X 4/5" LG	4
47	70135-G01		PEDAL PIVOT COVER	1
48				
49	72701-G01		ACCELERATOR CABLE MOUNTING BRACKET	1
50	26830-G01		LOCK NUT, M8 X 1.25 MM	2
51	72703-G01		THROTTLE CABLE MOUNTING BRACKET	1
52	72269-G01		FLANGED NUT, M8 X 1.25 MM	2
53				
54				
55	72708-G01		GOVERNOR ARM	1
56	26830-G01		LOCK NUT, M8 X 1.25 MM	1
57				
58	11845-G3		INSULATED CABLE CLAMP, 11/16"	1
59	72269-G01		FLANGED NUT, M8 X 1.25 MM.....	1
60				

ACCELERATOR - ALL CABLES

When ordering parts, please specify the model and serial number of the product.

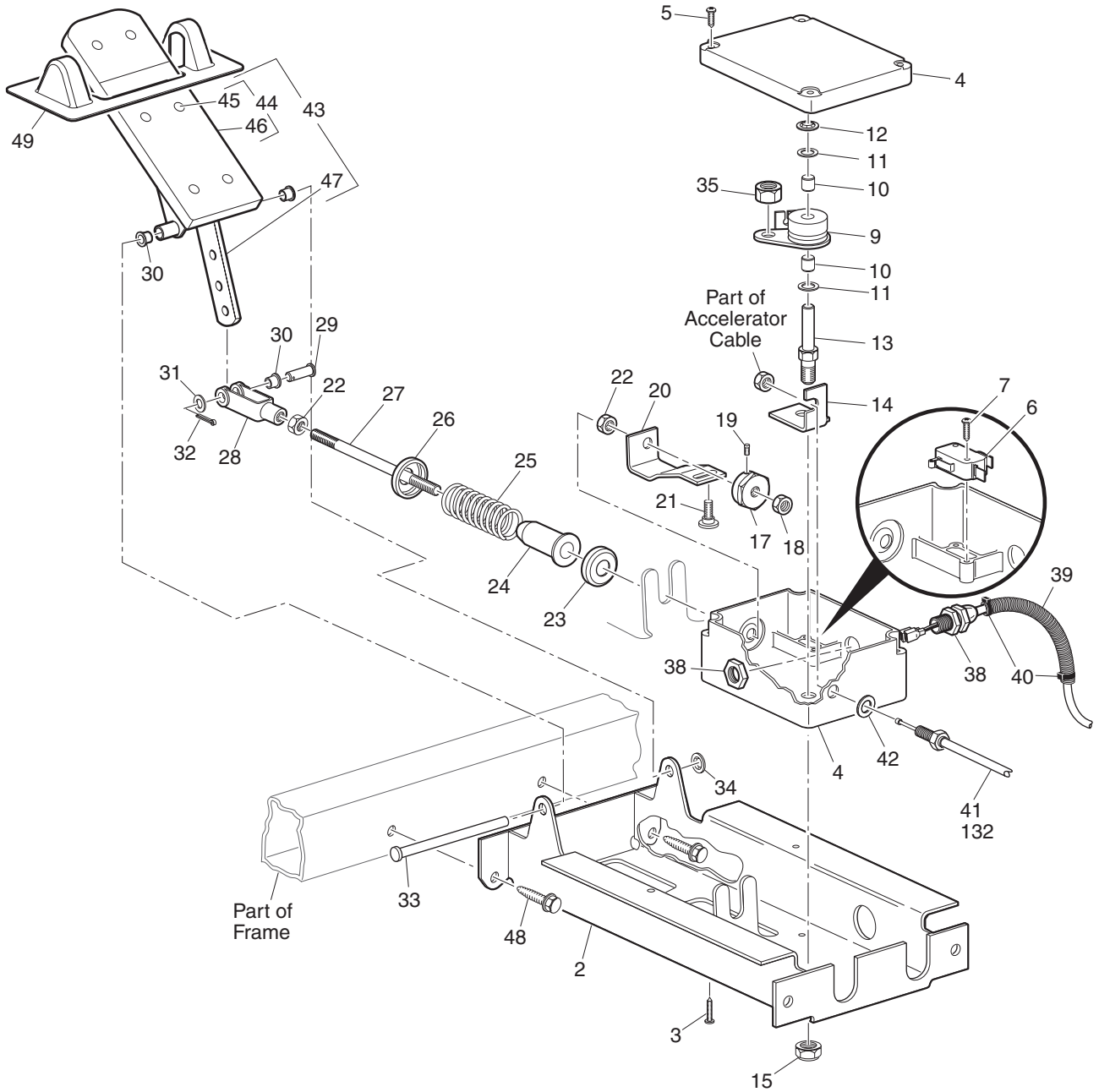
* Indicates a component that is not available as an individual part.

G** Indicates consult Customer Service Department for additional information.

ITEM	PART NO.	1	2	3	4	5	DESCRIPTION	QTY.
61	72055-G01						ACCELERATOR CABLE BRACKET	1
62	17618-G1						WIRE TIE	1
63								
64	74457-G01						GOVERNOR COVER/DECAL ASSEMBLY (INCLUDES ITEMS 65, 66).....	1
65	72705-G01						GOVERNOR COVER	1
66	24880-G01						DECAL (WARNING - GOVERNOR)	1
67	00915-G1						BONDED WASHER, 1/4"	2
68	14601-G11						RIVET, 3/16" X 9/16" LG (ALUMINUM).....	2
69								
70	72714-G01						THROTTLE CABLE.....	1
71	17618-G1						WIRE TIE	1
72								
73	75757-G01						PEDAL GUARD.....	1
74	00414-G6						BOLT, 1/4 - 20 X 3/4" LG	2
75	01110-G01						WASHER, 1/4" (STAINLESS STEEL)	2
76	00654-G2						LOCK NUT, 1/4 - 20 (STAINLESS STEEL)	2

ACCELERATOR - CABLE AND LINKAGES

1 - Includes Items 2 - 47
 131 - Includes Items 2 - 40, 42 - 47, 132

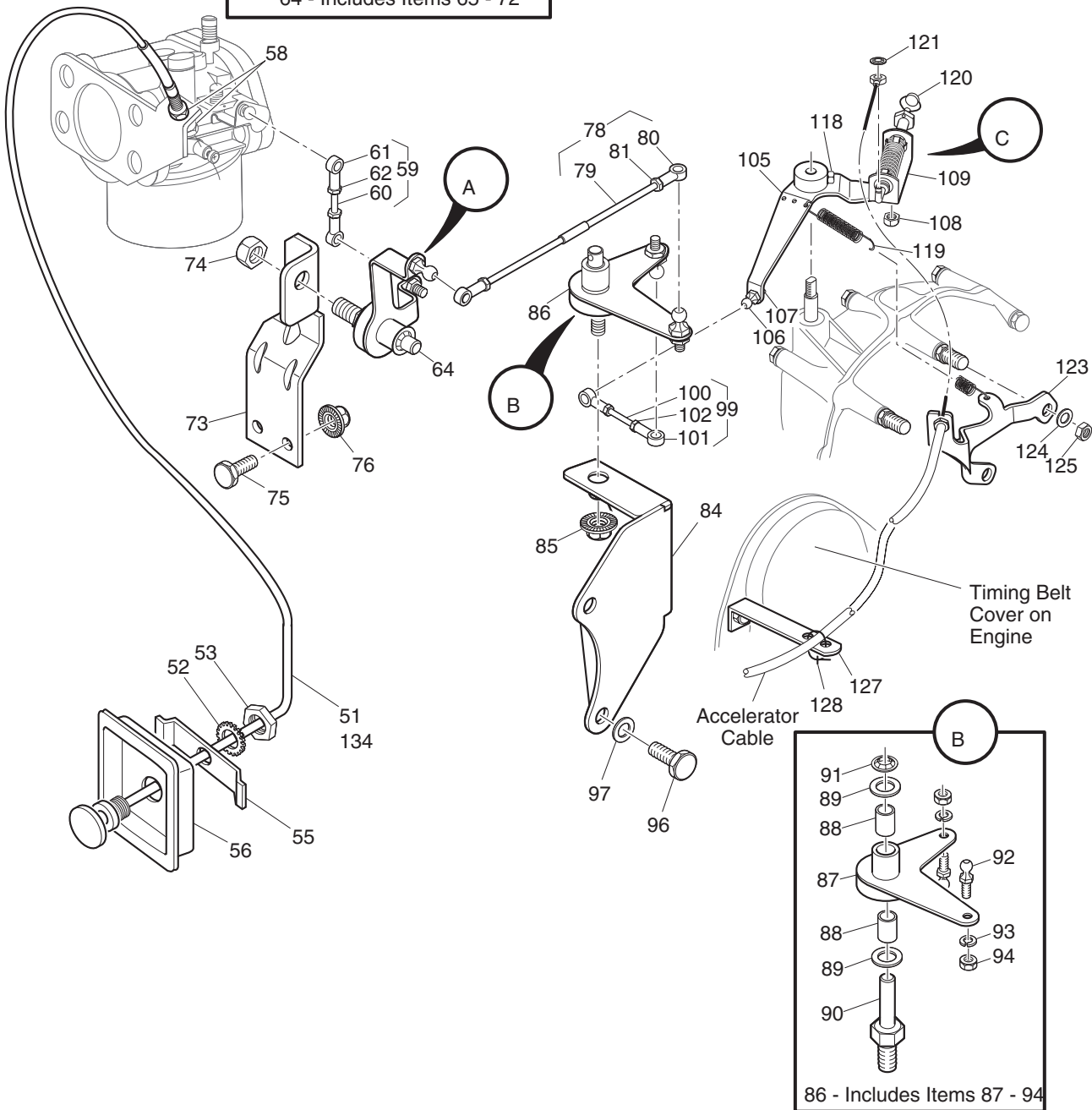
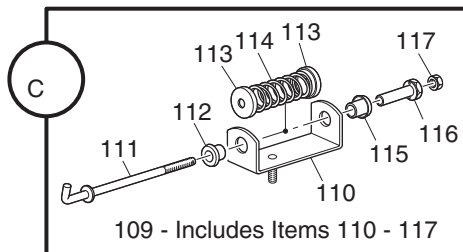
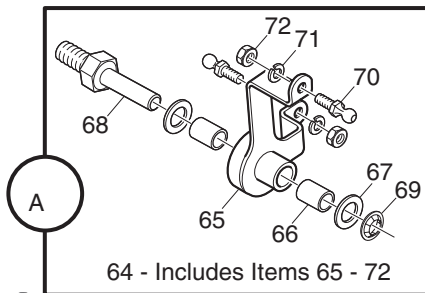


Ref Acl 9-1

ACCELERATOR - CABLE AND LINKAGES

83 - Includes Items 84 - 94

104 - Includes Items 105 - 117



Ref Acl 9-2

ACCELERATOR - CABLE AND LINKAGES

THE USE OF NON U.L. PARTS WILL VOID ANY U.L. LISTING.

When ordering parts, please specify the model and serial number of the product.

* Indicates a component that is not available as an individual part.

G** Indicates consult Customer Service Department for additional information.

ITEM	PART NO.	1	2	3	4	5	DESCRIPTION	QTY.	
1	72062-G03	PEDAL BOX ASSEMBLY (INCLUDES ITEMS 2 - 47) (ST 350)							1
2	70116-G01	ACCELERATOR PEDAL BRACKET.....							1
3	01051-G01	SCREW, #8 - 16 X 1/2" LG							4
4	25853-G02	PEDAL BOX AND COVER							1
5	00684-G6	SCREW, #8 - 32 X 3/4" LG (STAINLESS STEEL).....							4
6	25861-G01	MICRO SWITCH.....							1
7	01050-G01	SCREW, #4 - 20 X 5/8" LG							2
8									
9	72066-G01	CONTROL ARM							1
10	23860-G1	BEARING.....							2
11	24621-G1	NYLON WASHER, 5/16".....							2
12	12064-G1	PUSH NUT, 5/16".....							1
13	25768-G01	PIVOT ROD							1
14	72199-G01	PIVOT BRACKET							1
15	14390-G1	LOCK NUT, 3/8 - 24.....							1
16									
17	72198-G03	MICRO SWITCH CAM.....							1
18	00550-G4	LOCK NUT, 5/16 - 24							1
19	00487-G3	SETSCREW, 1/4 - 20 X 3/8" LG							1
20	72074-G01	CONTROL ARM LINK							1
21	72225-G01	SHOULDER BOLT, #10 - 24 X 11/16" LG.....							1
22	00532-G4	NUT, 5/16 - 24.....							2
23	17677-G1	SPRING RETAINER							1
24	17979-G1	ACCELERATOR ROD BUSHING							1
25	73046-G01	COMPRESSION SPRING							1
26	17677-G2	SPRING RETAINER							1
27	72072-G01	ACCELERATOR ROD							1
28	10385-G4	CLEVIS YOKE (ADJUSTABLE).....							1
29	10386-G3	CLEVIS PIN, 5/16" X 13/16" LG							1
30	17838-G1	NYLON BUSHING							3

ACCELERATOR - CABLE AND LINKAGES

THE USE OF NON U.L. PARTS WILL VOID ANY U.L. LISTING.

When ordering parts, please specify the model and serial number of the product.

* Indicates a component that is not available as an individual part.

G** Indicates consult Customer Service Department for additional information.

ITEM	PART NO.	1	2	3	4	5	DESCRIPTION	QTY.
31	17255-G1						TEFLON WASHER, 5/16"	1
32	10387-G3						COTTER PIN, 3/32" X 3/4" LG	1
33	74432-G01						PEDAL PIVOT PIN	1
34	12064-G6						PUSH NUT, 9/32"	1
35	14390-G10						LOCK NUT, #10 - 24	1
36	12730-G1						WHEEL BEARING GREASE (NOT ILLUSTRATED)	A/R
37								
38	72201-G02						WIRE HARNESS (PEDAL BOX)	1
39	17313-G1						LOOM FLEX (BULK)	AR
40	17618-G1						WIRE TIE	2
41	72065-G02						ACCELERATOR CABLE (ST 350)	1
42	00559-G8						WASHER, 5/16"	1
43	25799-G01						ACCELERATOR PEDAL ASSEMBLY (INCLUDES ITEMS 44 - 47)	1
44	27844-G01						ACCELERATOR PEDAL PAD KIT (INCLUDES ITEMS 45 - 46)	1
45	15766-G1						OVAL RIVET, 3/16" X 7/16" LG	6
46	27512-G01						ACCELERATOR PEDAL PAD	1
47	*						ACCELERATOR PEDAL	
48	00715-G2						BOLT, 5/16 - 18 X 4/5" LG	4
49	70135-G01						PEDAL PIVOT COVER	1
50								
51	72401-G02						CHOKE CABLE (WITH NUTS) (ST 350)	1
52	00568-G4						LOCK WASHER, 9/16"	1
53	00545-G4						JAM NUT, 9/16 - 18	1
54								
55	72155-G01						RETAINER	1
56	72154-G01						CHOKE CABLE ADAPTER	1
57								
58	00544-G4						JAM NUT, 5/16 - 24	2
59	25737-G01						CARBURETOR LINKAGE ROD (INCLUDES ITEMS 60 - 62)	1
60	23722-G1						ADJUSTING ROD (SHORT)	1

ACCELERATOR - CABLE AND LINKAGES

THE USE OF NON U.L. PARTS WILL VOID ANY U.L. LISTING.

When ordering parts, please specify the model and serial number of the product.

* Indicates a component that is not available as an individual part.

G** Indicates consult Customer Service Department for additional information.

ITEM	PART NO.	1	2	3	4	5	DESCRIPTION	QTY.
61	24465-G1						BALL JOINT SOCKET	2
62	00526-G4						NUT, #10 - 32.....	2
63								
64	25760-G01						CARBURETOR LINKAGE BELLCRANK (INCLUDES ITEMS 65 - 72).....	1
65	25759-G01						CARBURETOR PIVOT	1
66	23860-G1						BEARING.....	2
67	24621-G1						NYLON WASHER, 5/16".....	2
68	25768-G01						PIVOT ROD	1
69	12064-G1						PUSH NUT, 5/16".....	1
70	24479-G1						BALL JOINT BALL	2
71	00565-G5						LOCK WASHER, #10	2
72	00526-G4						NUT, #10 - 32.....	2
73	72197-G01						PIVOT BRACKET.....	1
74	14390-G1						LOCK NUT, 3/8 - 24	1
75	00661-G8						BOLT, 1/4 - 20 X 1" LG (STAINLESS STEEL).....	2
76	14390-G4						LOCK NUT, 1/4 - 20	2
77								
78	72254-G01						THROTTLE LINKAGE ROD ASSEMBLY (INCLUDES ITEMS 79 - 81).....	1
79	72609-G01						ADJUSTING ROD (LONG).....	1
80	24465-G1						BALL JOINT SOCKET	2
81	00526-G4						NUT, #10 - 32.....	2
82								
83	25702-G01						GOVERNOR PIVOT BRACKET ASSEMBLY (INCLUDES ITEMS 84 - 94).....	1
84	25655-G01						BELLCRANK BRACKET.....	1
85	14390-G1						LOCK NUT, 3/8 - 24	1
86	25763-G01						GOVERNOR PIVOT ASSEMBLY (INCLUDES ITEMS 87 - 94)	1
87	25762-G01						GOVERNOR PIVOT.....	1
88	23860-G1						BEARING	2
89	24621-G1						NYLON WASHER, 5/16".....	2
90	25768-G01						PIVOT ROD.....	1

ACCELERATOR - CABLE AND LINKAGES

THE USE OF NON U.L. PARTS WILL VOID ANY U.L. LISTING.

When ordering parts, please specify the model and serial number of the product.

* Indicates a component that is not available as an individual part.

G** Indicates consult Customer Service Department for additional information.

ITEM	PART NO.	1	2	3	4	5	DESCRIPTION	QTY.
91	12064-G1						PUSH NUT, 5/16"	1
92	24479-G1						BALL JOINT BALL	2
93	00565-G5						LOCK WASHER, #10	2
94	00526-G4						NUT, #10 - 32	2
95								
96	00276-G6						BOLT, 5/16 - 24 X 3/4" LG	2
97	00565-G8						LOCK WASHER, 5/16"	2
98								
99	25737-G03						GOVERNOR LINKAGE ROD (INCLUDES ITEMS 100 - 102)	1
100	23722-G1						ADJUSTING ROD	1
101	24465-G1						BALL JOINT SOCKET	2
102	00526-G4						NUT, #10 - 32	2
103								
104	25690-G01						GOVERNOR BELLCRANK ASSEMBLY (INCLUDES ITEMS 105 - 117)	1
105	25765-G01						GOVERNOR BELLCRANK	1
106	24479-G1						BALL JOINT BALL	1
107	00734-G5						LOCK NUT, #10 - 32	1
108	14390-G4						LOCK NUT, 1/4 - 20	1
109	22751-G2						GOVERNOR BRACKET ASSEMBLY (INCLUDES ITEMS 110 - 117)	1
110	22752-G1						GOVERNOR BRACKET	1
111	25274-G1						GOVERNOR ROD	1
112	22754-G1						BUSHING	1
113	25661-G01						CUP WASHER	2
114	23578-G1						COMPRESSION SPRING	1
115	22754-G2						BUSHING	1
116	23859-G1						GOVERNOR ADJUSTER	1
117	00526-G4						NUT, #10 - 32	1
118	00491-G4						SETSCREW, 1/4 - 20 X 1/2" LG	2
119	25738-G01						SPRING	1
120	25286-G1						SAFETY SEAL, 3/8"	1

ACCELERATOR - CABLE AND LINKAGES

THE USE OF NON U.L. PARTS WILL VOID ANY U.L. LISTING.

When ordering parts, please specify the model and serial number of the product.

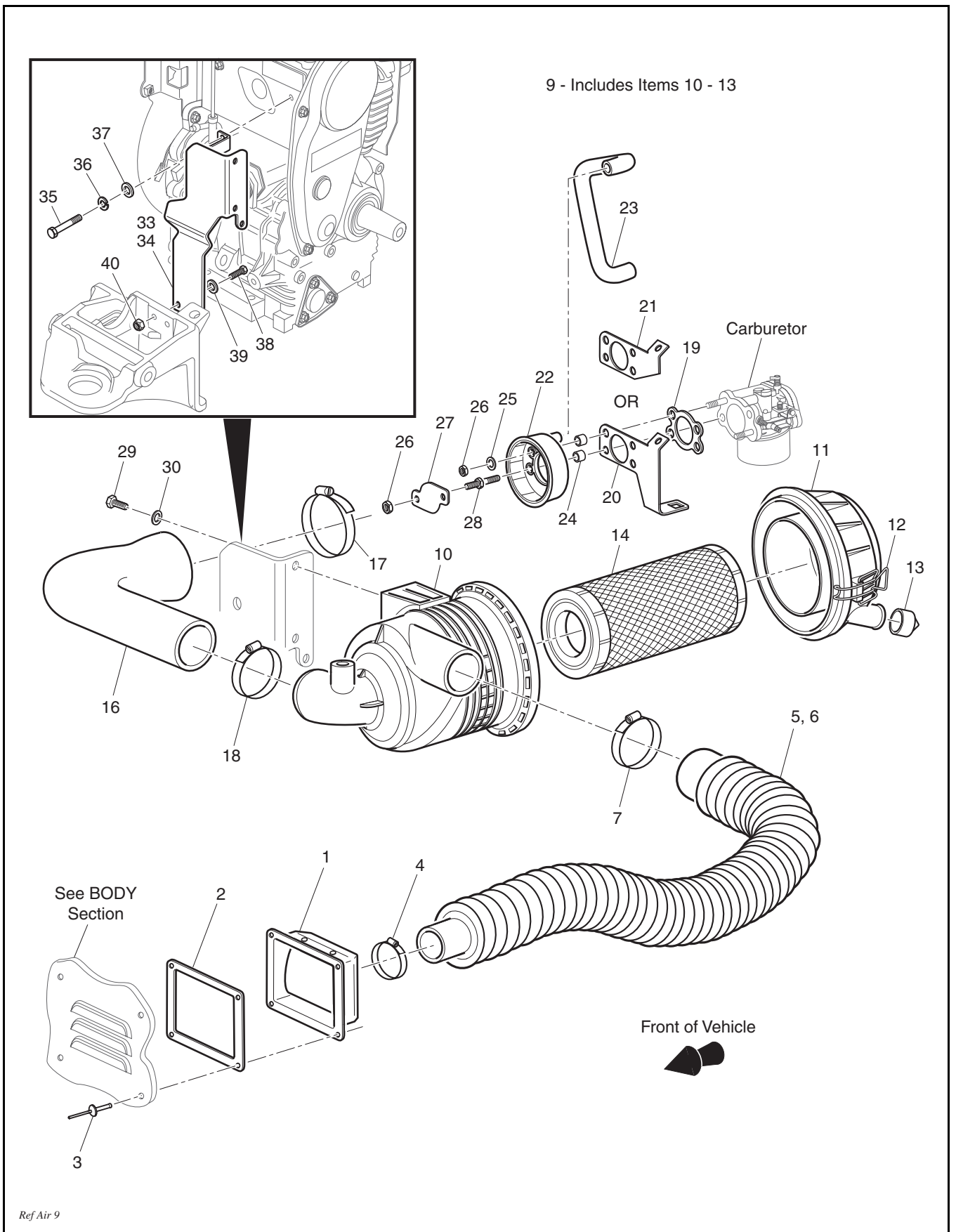
* Indicates a component that is not available as an individual part.

G** Indicates consult Customer Service Department for additional information.

ITEM	PART NO.	1	2	3	4	5	DESCRIPTION	QTY.
121	12064-G3						PUSH NUT, 3/16"	1
122								
123	25653-G01						ACCELERATOR CABLE BRACKET	1
124	26826-G01						LOCK WASHER, 8 MM	2
125	26827-G01						NUT, M8 X 1.25 MM	2
126								
127	72055-G01						ACCELERATOR CABLE BRACKET	1
128	17618-G1						WIRE TIE	7
129								
130								
131	72062-G01						PEDAL BOX ASSEMBLY (INCL ITEMS 2 - 40, 42 - 47, 132) (ST SPORT).....	1
132	72065-G01						ACCELERATOR CABLE	1
133								
134	25693-G04						CHOKE CABLE (WITH NUTS) (ST SPORT)	1

ACCELERATOR - CABLE AND LINKAGES

AIR CLEANER



AIR CLEANER

THE USE OF NON U.L. PARTS WILL VOID ANY U.L. LISTING.

When ordering parts, please specify the model and serial number of the product.

* Indicates a component that is not available as an individual part.

G** Indicates consult Customer Service Department for additional information.

ITEM	PART NO.	1 2 3 4 5	DESCRIPTION	QTY.
1	72416-G01		INLET ADAPTER	1
2	72415-G01		GASKET	1
3	71055-G01		RIVET, 3/16" X 1" LG (ALUMINUM)	4
4	11391-G2		HOSE CLAMP, 2 1/16"	1
5	72637-G02		HOSE (CONVOLUTED) (ST 350)	1
6	72637-G01		HOSE (CONVOLUTED) (ST SPORT)	1
7	11391-G1		HOSE CLAMP, 1 5/16"	1
8				
9	72607-G01		AIR CLEANER CANISTER ASSEMBLY (INCLUDES ITEMS 10 - 13)	1
10	72598-G01		AIR CLEANER CANISTER	1
11	72599-G01		AIR CLEANER COVER	1
12	72604-G01		AIR CLEANER LATCH	2
13	28462-G01		AIR CLEANER DUST COLLECTOR	1
14	28463-G01		AIR CLEANER ELEMENT	1
15				
16	72592-G01		HOSE (AIR FILTER TO CARBURETOR)	1
17	11391-G6		HOSE CLAMP, 2 1/8"	1
18	11391-G7		HOSE CLAMP, 1 9/16"	1
19	26727-G01		CARBURETOR GASKET	2
20	72739-G01		CHOKE / THROTTLE BRACKET	1
21	26728-G01		CHOKE BRACKET	1
22	72591-G01		CARBURETOR ADAPTER	1
23	72151-G01		PCV HOSE	1
24	23726-G11		SPACER, 5/16"	4
25	00664-G7		LOCK WASHER, 1/4" (STAINLESS STEEL)	2
26	13632-G1		NUT, M6 X 1	4
27	72605-G01		CARBURETOR BAFFLE	1
28	72514-G01		STUD	2
29	26639-G01		BOLT AND WASHER, M8 X 1.25 X 20 MM	2
30	00565-G8		WASHER, 5/16"	2

AIR CLEANER

THE USE OF NON U.L. PARTS WILL VOID ANY U.L. LISTING.

When ordering parts, please specify the model and serial number of the product.

* Indicates a component that is not available as an individual part.

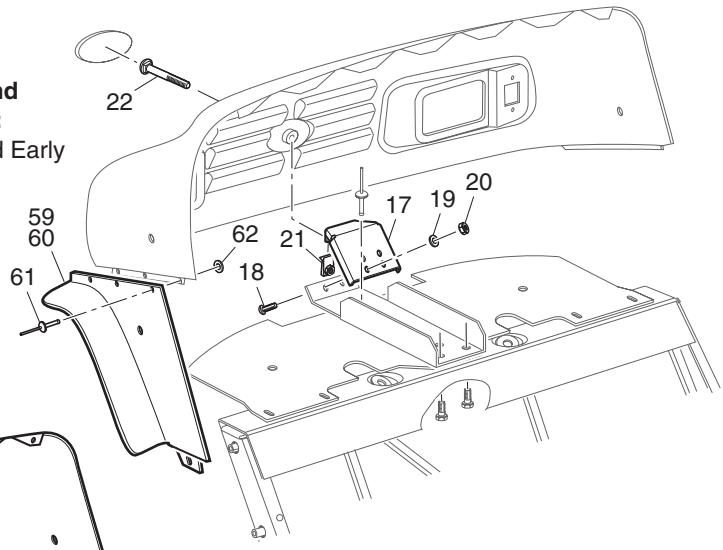
G** Indicates consult Customer Service Department for additional information.

ITEM	PART NO.	1	2	3	4	5	DESCRIPTION	QTY.
31								
32								
33	72596-G01						AIR FILTER BRACKET (LINKAGE ACTUATED CARBURETOR)	1
34	75878-G01						AIR FILTER BRACKET (CABLE ACTUATED CARBURETOR)	1
35	12547-G3						BOLT, M6 X 1 X 20MM LG	1
36	00664-G7						LOCK WASHER, 1/4" (STAINLESS STEEL)	1
37	01110-G01						WASHER, 1/4" (STAINLESS STEEL)	1
38	00415-G2						BOLT, 1/4 - 20 X 1 1/4" LG	2
39	00559-G07						WASHER, 1/4"	2
40	14390-G4						LOCK NUT, 1/4 - 20	2

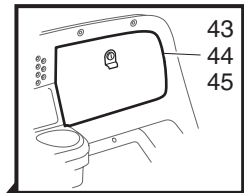
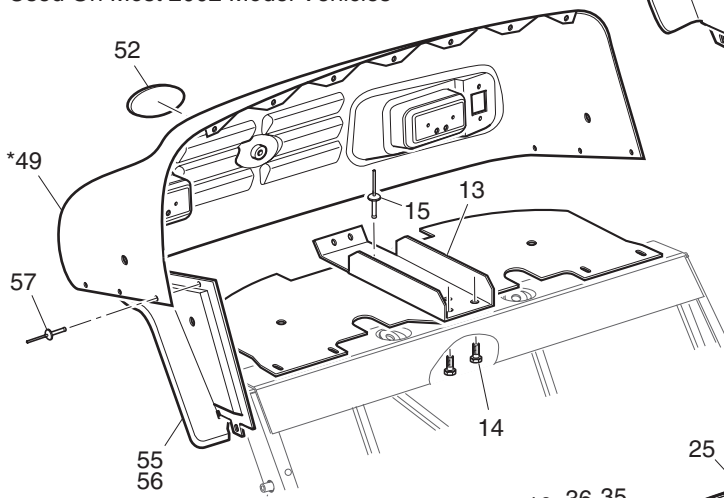
BODY

**ST 350
and
ST SPORT**

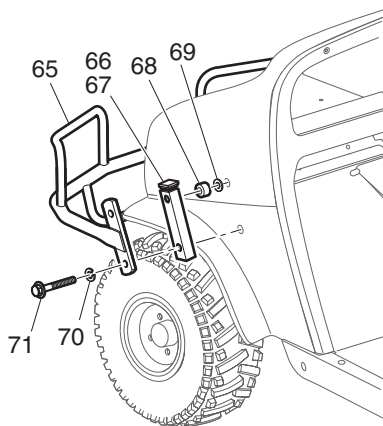
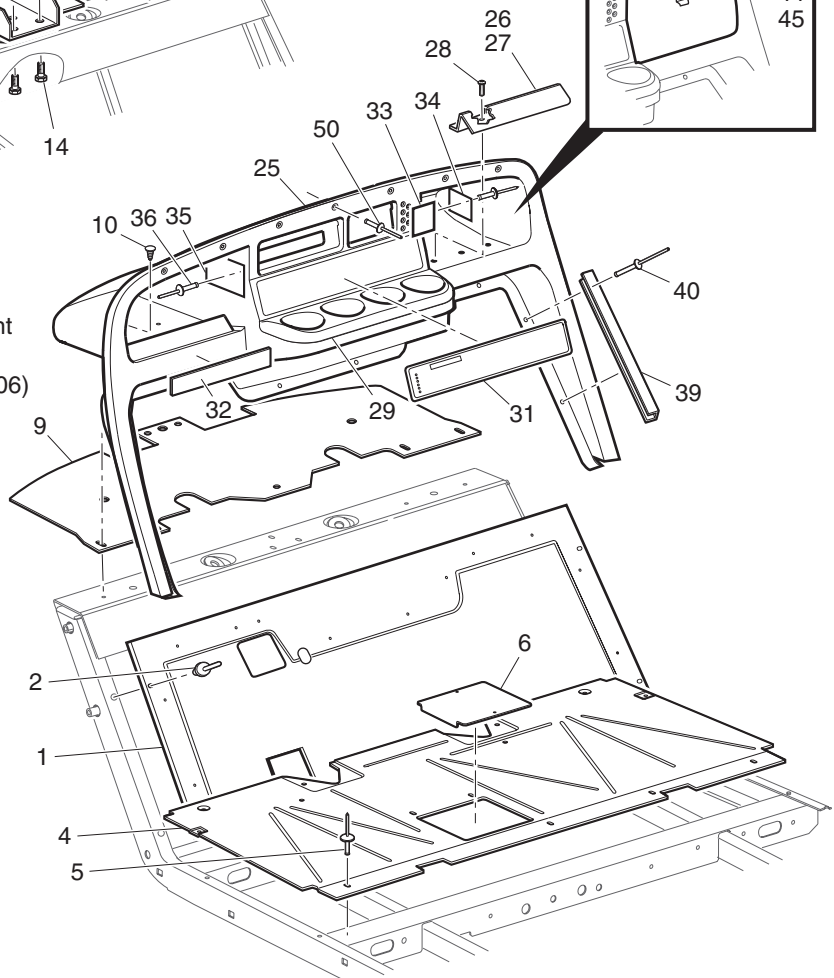
**Cowl Mounted Behind
Top Of Fender Flare:**
Used On All 2001 And Early
2002 Model Vehicles



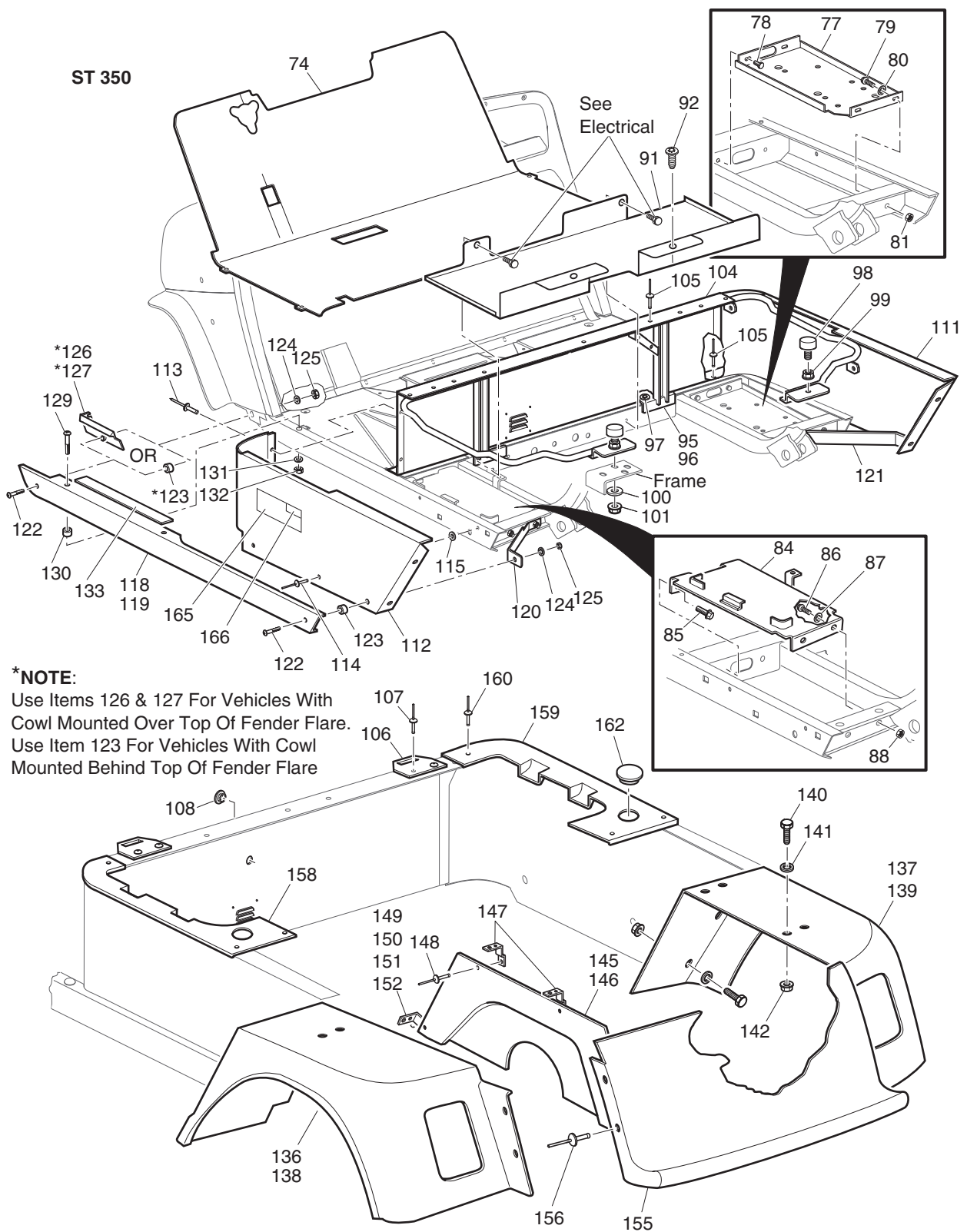
Cowl Mounted Over Top Of Fender Flare:
Used On Most 2002 Model Vehicles



***NOTE:** This Cowl Is Service Replacement
For All Prior Model Years When
Ordered With Retrofit Kit (Item 206)

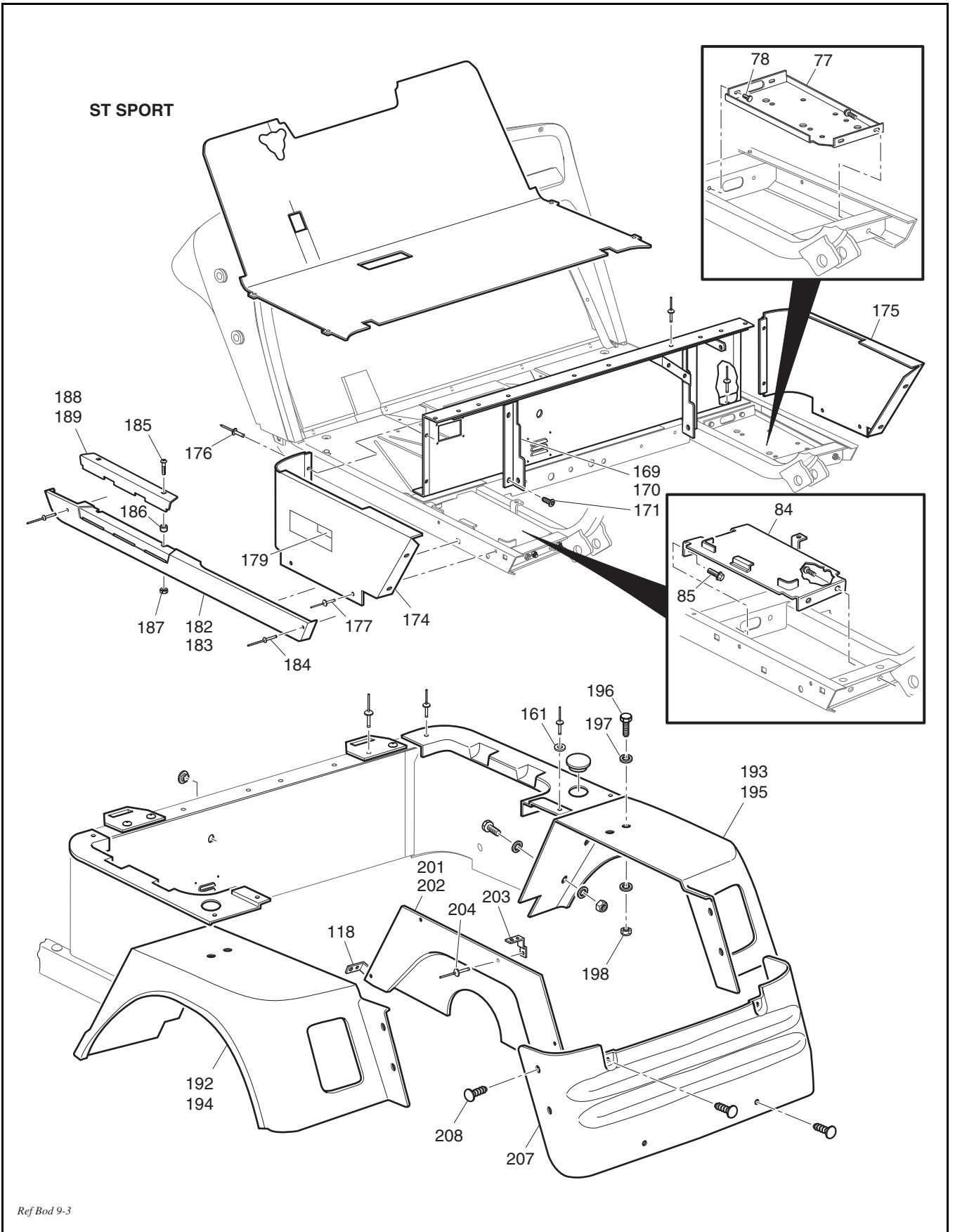


Ref Bod 9-1



Ref Bod 9-2

BODY

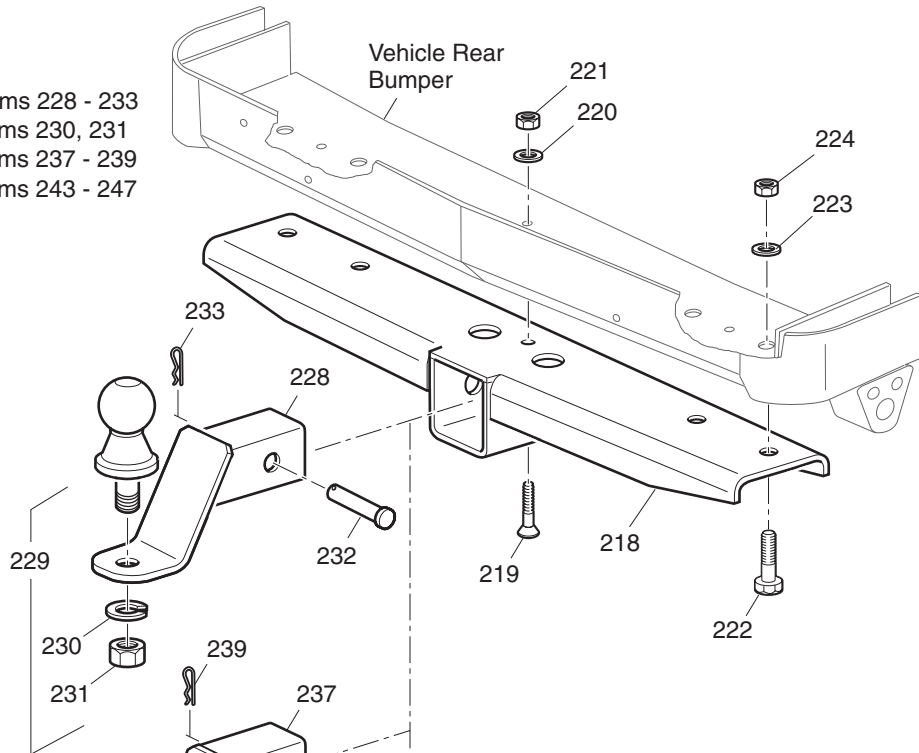


Ref Bod 9-3

227 - Includes Items 228 - 233
 229 - Includes items 230, 231
 236 - Includes items 237 - 239
 242 - Includes items 243 - 247

HITCHES

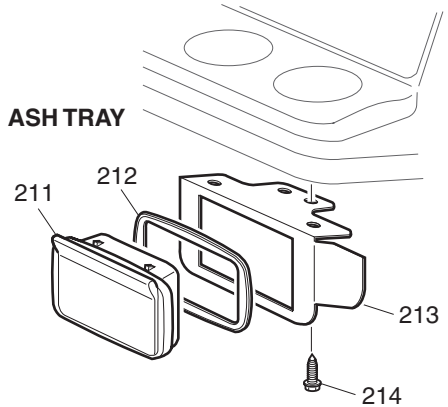
Dropped
Heavy Duty
Hitch



Dropped
Angle Hitch

Dropped
Clevis Hitch

ASH TRAY



Ref Bod 9-4

BODY

THE USE OF NON U.L. PARTS WILL VOID ANY U.L. LISTING.

When ordering parts, please specify the model and serial number of the product.

* Indicates a component that is not available as an individual part.

G** Indicates consult Customer Service Department for additional information.

ITEM	PART NO.	1 2 3 4 5	DESCRIPTION	QTY.
1	71510-G01		UPPER FLOORPAN.....	1
2	14601-G11		RIVET, 3/16" X 9/16" LG (ALUMINUM).....	9
3				
4	70451-G01		LOWER FLOORPAN.....	1
5	14601-G11		RIVET, 3/16" X 9/16" LG (ALUMINUM).....	7
6	70452-G01		ACCESS COVER.....	1
7				
8				
9	71413-G02		SPLASH PANEL.....	1
10	16816-G2		RATCHET FASTENER, 1/4" X 3/4" LG.....	4
11				
12				
13	71101-G01		COWL SUPPORT BRACKET.....	1
14	71102-G02		SELF TAPPING SCREW, 1/4 - 20 X 1/2" LG.....	3
15	71055-G02		RIVET, 3/16" X 1 1/8" LG (ALUMINUM).....	1
16				
17	71462-G01		COWL SUPPORT (2001 - EARLY 2002).....	1
18	00740-G4		SCREW, #10 - 32 X 1/2" LG (STAINLESS STEEL) (2001 - EARLY 2002).....	2
19	00559-G5		WASHER, #10 (2001 - EARLY 2002).....	2
20	00921-G8		LOCK NUT, #10 - 32 (2001 - EARLY 2002).....	2
21	14776-G1		RETAINER NUT (J TYPE) (2001 - EARLY 2002).....	1
22	16705-G9		SCREW, 1/4 - 20 X 1 1/4" LG (STAINLESS STEEL) (2001 - EARLY 2002).....	1
23				
24				
25	71151-G01		INSTRUMENT PANEL ASSEMBLY (INCLUDES ITEMS 26 - 29).....	1
26	71153-G01		DEFLECTOR (PASSENGER SIDE).....	1
27	71154-G01		DEFLECTOR (DRIVER SIDE).....	1
28	00614-G5		SCREW, #8 - 18 X 5/8" LG.....	6
29	71158-G01		INSTRUMENT PANEL INSERT (FOUR CUP).....	1
30				

THE USE OF NON U.L. PARTS WILL VOID ANY U.L. LISTING.
 When ordering parts, please specify the model and serial number of the product.
 * Indicates a component that is not available as an individual part.
 G** Indicates consult Customer Service Department for additional information.

ITEM	PART NO.	1 2 3 4 5	DESCRIPTION	QTY.
31	35962-G01		LABEL (SAFETY).....	1
32	74443-G01		LABEL (ANTI-ROLL BACK)	1
33	35968-G01		LABEL (T-HOLDER COVER).....	1
34	*		SERIAL NUMBER PLATE	1
35	*		CAPACITY PLATE.....	1
36	01041-G01		RIVET, 1/8" X 13/16" LG	4
37				
38				
39	71115-G01		VINYL TRIM	2
40	71055-G01		RIVET, 3/16" X 1" LG (ALUMINUM).....	10
41				
42				
43	75459-G01		GLOVE BOX DOORS (BOTH SIDES)	1
44	75459-G02		GLOVE BOX DOOR (DRIVER SIDE)	1
45	75459-G03		GLOVE BOX DOOR (PASSENGER SIDE).....	1
46				
47				
48				
49	71468-G01		COWL.....	1
50	71055-G01		RIVET, 3/16" X 1" LG (ALUMINUM).....	7
51				
52	71289-G01		NAMEPLATE (E-Z-GO) (OVAL)	1
53				
54				
55	71338-G01		FENDER FLARE (DRIVER SIDE).....	1
56	71338-G02		FENDER FLARE (PASSENGER SIDE)	1
57	71055-G01		RIVET, 3/16" X 1" LG (ALUMINUM).....	6
58				
59	75815-G01		FENDER FLARE (DRIVER SIDE) (2001 - EARLY 2002).....	1
60	75815-G02		FENDER FLARE (PASSENGER SIDE) (2001 - EARLY 2002).....	1

BODY

THE USE OF NON U.L. PARTS WILL VOID ANY U.L. LISTING.

When ordering parts, please specify the model and serial number of the product.

* Indicates a component that is not available as an individual part.

G** Indicates consult Customer Service Department for additional information.

ITEM	PART NO.	1 2 3 4 5	DESCRIPTION	QTY.
61	71045-G01		RIVET, 5/32 X 3/4" LG.....	6
62	00559-G4		WASHER, #8.....	6
63				
64				
65	74265-G01		BUMPER.....	1
66	74037-G01		SPACER TUBE.....	2
67	19859-G1		END CAP, 3/4".....	2
68	75048-G01		SPACER, 1/2".....	2
69	00570-G2		WASHER, 5/16".....	2
70	00905-G8		LOCK WASHER, 5/16".....	4
71	01035-G02		BOLT, 5/16 - 18 X 2 1/2" LG.....	4
72				
73				
74	70048-G**		FLOORMAT.....	1
75				
76				
77	70244-G02		SPLASH PANEL.....	1
78	00715-G2		BOLT, 5/16 - 18 X 4/5" LG.....	4
79	00438-G8		BOLT, 5/16 - 18 X 1" LG (ST 350).....	2
80	00559-G8		WASHER, 5/16" (ST 350).....	2
81	01109-G01		LOCK NUT, 5/16 - 18 (STAINLESS STEEL) (ST 350).....	2
82				
83				
84	70245-G01		BATTERY TRAY.....	1
85	00715-G2		BOLT, 5/16 - 18 X 4/5" LG.....	AR
86	00438-G8		BOLT, 5/16 - 18 X 1" LG (ST 350).....	2
87	01110-G03		WASHER, 5/16" (STAINLESS STEEL) (ST 350).....	2
88	01109-G01		LOCK NUT, 5/16 - 18 (STAINLESS STEEL) (ST 350).....	2
89				
90				

THE USE OF NON U.L. PARTS WILL VOID ANY U.L. LISTING.
 When ordering parts, please specify the model and serial number of the product.
 * Indicates a component that is not available as an individual part.
 G** Indicates consult Customer Service Department for additional information.

ITEM	PART NO.	1 2 3 4 5	DESCRIPTION	QTY.
91	70629-G01		SPLASH PANEL (ST 350).....	1
92	00106-G6		SELF THREADING SCREW, #12 - 24 X 3/4" LG	2
93				
94				
95	70440-G02		SEAT FRAME (ST 350) (DUAL CABLE DIRECTION SELECTOR).....	1
96	70384-G03		SEAT FRAME (ST 350) (SINGLE CABLE DIRECTION SELECTOR)	1
97	70200-G01		SCREW, 3/8 - 16 X 3/4" LG.....	4
98	70113-G01		ADJUSTABLE BUMPER.....	2
99	11027-G1		LOCK NUT, 5/16 - 18	2
100	00559-G8		WASHER, 5/16"	2
101	01109-G01		LOCK NUT, 5/16 - 18 (STAINLESS STEEL)	2
102				
103				
104	71977-G**		SEAT WRAP PANEL WITH LOUVERS.....	1
105	10570-G10		RIVET, 5/32" X 9/16" LG (STAINLESS STEEL)	8
106	71609-G01		SEAT HINGE PLATE.....	2
107	10570-G11		RIVET, 3/16" X 3/4" LG (STAINLESS STEEL)	4
108	20271-G9		HOLE PLUG.....	1
109				
110				
111	71674-G01		SIDE PANEL (DRIVER SIDE) (ST 350)	1
112	71674-G02		SIDE PANEL (PASSENGER SIDE) (ST 350).....	1
113	10570-G10		RIVET, 5/32" X 9/16" LG (STAINLESS STEEL)	4
114	10570-G12		RIVET, 1/4" X 9/16" LG (ALUMINUM).....	4
115	16469-G7		WASHER, 1/4"	4
116				
117				
118	71439-G01		ROCKER PANEL (DRIVER SIDE) (ST 350)	1
119	71439-G02		ROCKER PANEL (PASSENGER SIDE) (ST 350).....	1
120	71440-G01		BRACE (DRIVER SIDE).....	1

BODY

THE USE OF NON U.L. PARTS WILL VOID ANY U.L. LISTING.

When ordering parts, please specify the model and serial number of the product.

* Indicates a component that is not available as an individual part.

G** Indicates consult Customer Service Department for additional information.

ITEM	PART NO.	1 2 3 4 5	DESCRIPTION	QTY.
121	71440-G02		BRACE (PASSENGER SIDE)	1
122	00789-G2		SCREW, #10 - 24 X 1 1/4" LG.....	4
123	23726-G2		SPACER, 1/4".....	4
124	00660-G5		WASHER, #10 (STAINLESS STEEL)	4
125	11098-G7		LOCK NUT, #10 - 24	4
126	71424-G01		SPACER (DRIVER SIDE).....	1
127	71424-G02		SPACER (PASSENGER SIDE)	1
128				
129	16705-G1		SCREW, 1/4 - 20 X 1" LG (STAINLESS STEEL)	4
130	23726-G2		SPACER, 1/4".....	4
131	01110-G01		WASHER, 1/4" (STAINLESS STEEL)	4
132	14390-G4		LOCK NUT, 1/4 - 20	4
133	71764-G01		SILL PLATE TREAD.....	2
134				
135				
136	74297-G01		FENDER (DRIVER SIDE)	1
137	74297-G02		FENDER (PASSENGER SIDE).....	1
138	74297-G03		FENDER WITH TAILLIGHT (DRIVER SIDE)	1
139	74297-G04		FENDER WITH TAILLIGHT (PASSENGER SIDE).....	1
140	00414-G7		BOLT, 1/4 - 20 X 7/8" LG	12
141	01110-G01		WASHER, 1/4" (STAINLESS STEEL)	24
142	11027-G2		LOCK NUT, 1/4 - 20	12
143				
144				
145	75661-G01		INNER FENDER (PASSENGER SIDE) (ST 350).....	1
146	75661-G02		INNER FENDER (DRIVER SIDE) (ST 350)	1
147	74441-G01		BRACKET	4
148	15058-G1		RIVET, 3/16" X 7/16" LG (ALUMINUM).....	8
149	71734-G01		BRACKET	2
150	00438-G7		BOLT, 5/16 - 18 X 7/8" LG	2

THE USE OF NON U.L. PARTS WILL VOID ANY U.L. LISTING.
 When ordering parts, please specify the model and serial number of the product.
 * Indicates a component that is not available as an individual part.
 G** Indicates consult Customer Service Department for additional information.

ITEM	PART NO.	1 2 3 4 5	DESCRIPTION	QTY.
151	01110-G03		WASHER, 5/16" (STAINLESS STEEL)	2
152	01109-G01		LOCK NUT, 5/16 - 18 (STAINLESS STEEL)	2
153				
154				
155	71587-G01		REAR PANEL (ST 350)	1
156	71055-G01		RIVET, 3/16" X 1" LG (ALUMINUM)	4
157				
158	71588-G01		SEAT FILLER PANEL (DRIVER SIDE)	1
159	71588-G02		SEAT FILLER PANEL (PASSENGER SIDE)	1
160	10570-G10		RIVET, 5/32" X 9/16" LG (STAINLESS STEEL)	6
161	00559-G3		WASHER, #6 (ST SPORT)	2
162	20271-G3		HOLE PLUG, 2" (VEHICLES WITHOUT TOP)	2
163				
164				
165	35062-G01		LABEL (WORKHORSE)	2
166	35430-G08		LABEL (ST 350)	2
167				
168				
169	70440-G01		SEAT FRAME (ST SPORT) (DUAL CABLE DIRECTION SELECTOR)	1
170	70440-G03		SEAT FRAME (ST SPORT) (SINGLE CABLE DIRECTION SELECTOR)	1
171	00715-G2		BOLT, 5/16 - 18 X 4/5" LG	2
172				
173				
174	71259-G**		SIDE PANEL (DRIVER SIDE) (ST SPORT)	1
175	71259-G**		SIDE PANEL (PASSENGER SIDE) (ST SPORT)	1
176	10570-G10		RIVET, 5/32" X 9/16" LG (STAINLESS STEEL)	4
177	10570-G12		RIVET, 1/4" X 9/16" LG (ALUMINUM)	4
178				
179	35430-G22		LABEL (ST SPORT)	2
180				

BODY

THE USE OF NON U.L. PARTS WILL VOID ANY U.L. LISTING.

When ordering parts, please specify the model and serial number of the product.

* Indicates a component that is not available as an individual part.

G** Indicates consult Customer Service Department for additional information.

ITEM	PART NO.	1	2	3	4	5	DESCRIPTION	QTY.
181								
182	71502-G01						ROCKER PANEL (DRIVER SIDE) (ST SPORT).....	1
183	71501-G01						ROCKER PANEL (PASSENGER SIDE) (ST SPORT)	1
184	15058-G6						RIVET, 3/16" X 15/16" LG (ALUMINUM).....	4
185	16705-G1						SCREW, 1/4 - 20 X 1" LG (STAINLESS STEEL)	4
186	23726-G4						SPACER, 5/16".....	4
187	00654-G2						LOCK NUT, 1/4 - 20 (STAINLESS STEEL)	4
188	71507-G02						SILL PLATE (DRIVER SIDE).....	1
189	71507-G01						SILL PLATE (PASSENGER SIDE).....	1
190								
191								
192	71224-G01						FENDER (DRIVER SIDE) (ST SPORT).....	1
193	71224-G02						FENDER (PASSENGER SIDE) (ST SPORT)	1
194	71224-G03						FENDER WITH TAILLIGHT (DRIVER SIDE) (ST SPORT).....	1
195	71224-G04						FENDER WITH TAILLIGHT (PASSENGER SIDE) (ST SPORT)	1
196	00414-G6						BOLT, 1/4 - 20 X 3/4" LG	8
197	00642-G7						WASHER, 1/4"	16
198	00654-G2						LOCK NUT, 1/4 - 20 (STAINLESS STEEL)	8
199								
200								
201	75661-G01						INNER FENDER (PASSENGER SIDE) (ST SPORT)	1
202	75661-G02						INNER FENDER (DRIVER SIDE) (ST SPORT).....	1
203	71374-G01						BRACKET	4
204	71055-G01						RIVET, 3/16" X 7/16" LG (ALUMINUM).....	8
205								
206	73464-G01						COWL RETROFIT SERVICE KIT (INCLUDES ITEMS 55 - 57, 126, 127)	
207	71225-G01						REAR PANEL (ST SPORT).....	1
208	16816-G2						RATCHET FASTENER, 1/4" X 3/4" LG	8
209								
210								

THE USE OF NON U.L. PARTS WILL VOID ANY U.L. LISTING.
 When ordering parts, please specify the model and serial number of the product.
 * Indicates a component that is not available as an individual part.
 G** Indicates consult Customer Service Department for additional information.

ITEM	PART NO.	1 2 3 4 5	DESCRIPTION	QTY.
211	27731-G01		ASH TRAY	1
212	27736-G01		GASKET	1
213	75108-G01		BRACKET	1
214	00100-G4		SCREW, #10 - 16 X 1/2" LG.....	4
215				
216				
217				
218	74348-G01		HITCH RECEIVER	1
219	00198-G8		BOLT, 5/16 - 18 X 1" LG	1
220	00569-G2		WASHER, 5/16"	1
221	01109-G01		LOCK NUT, 5/16 - 18 (STAINLESS STEEL)	1
222	00463-G4		BOLT, 7/16 - 14 X 1 1/2" LG	4
223	00922-G3		WASHER, 7/16"	4
224	00734-G1		LOCK NUT, 7/16 - 14	4
225				
226				
227	74492-G10		DROPPED BALL HITCH KIT (INCLUDES ITEMS 228 - 233)	1
228	74491-G01		DROPPED BALL HITCH	1
229	31757-G1		HITCH BALL, 1 7/8" (INCLUDES ITEMS 230 - 231)	1
230	00566-G6		LOCK WASHER, 3/4"	1
231	00702-G11		NUT, 3/4 - 16	1
232	21317-G1		CLEVIS PIN, 5/8" X 3" LG	1
233	21683-G1		COTTER PIN, 15/32" X 2 13/16" LG	1
234				
235				
236	74492-G08		DROPPED ANGLE HITCH KIT (INCLUDES ITEMS 237 - 239)	1
237	74489-G01		DROPPED ANGLE HITCH	1
238	21317-G1		CLEVIS PIN, 5/8" X 3" LG	1
239	21683-G1		COTTER PIN, 15/32" X 2 13/16" LG	1
240				

BODY

THE USE OF NON U.L. PARTS WILL VOID ANY U.L. LISTING.

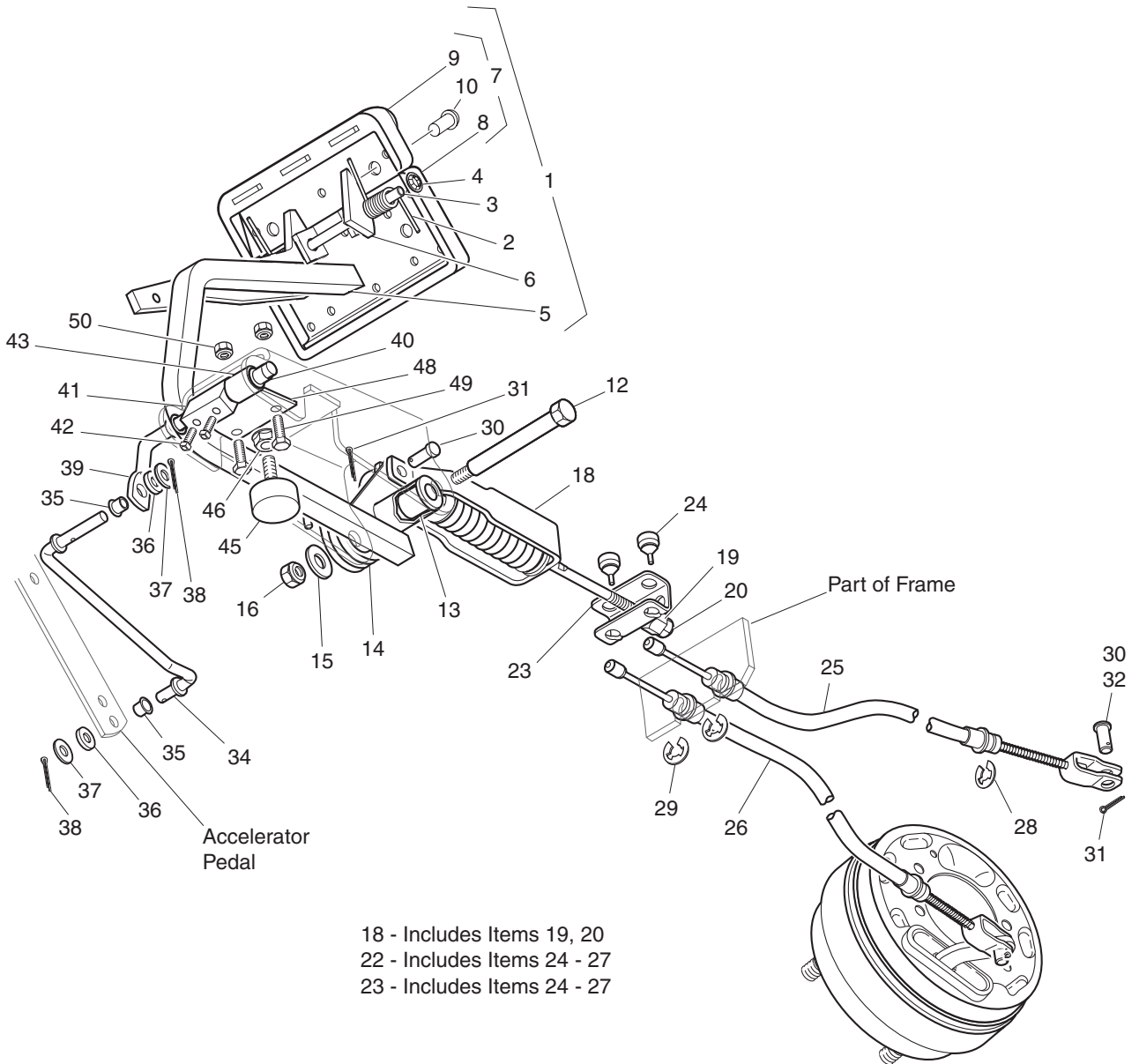
When ordering parts, please specify the model and serial number of the product.

* Indicates a component that is not available as an individual part.

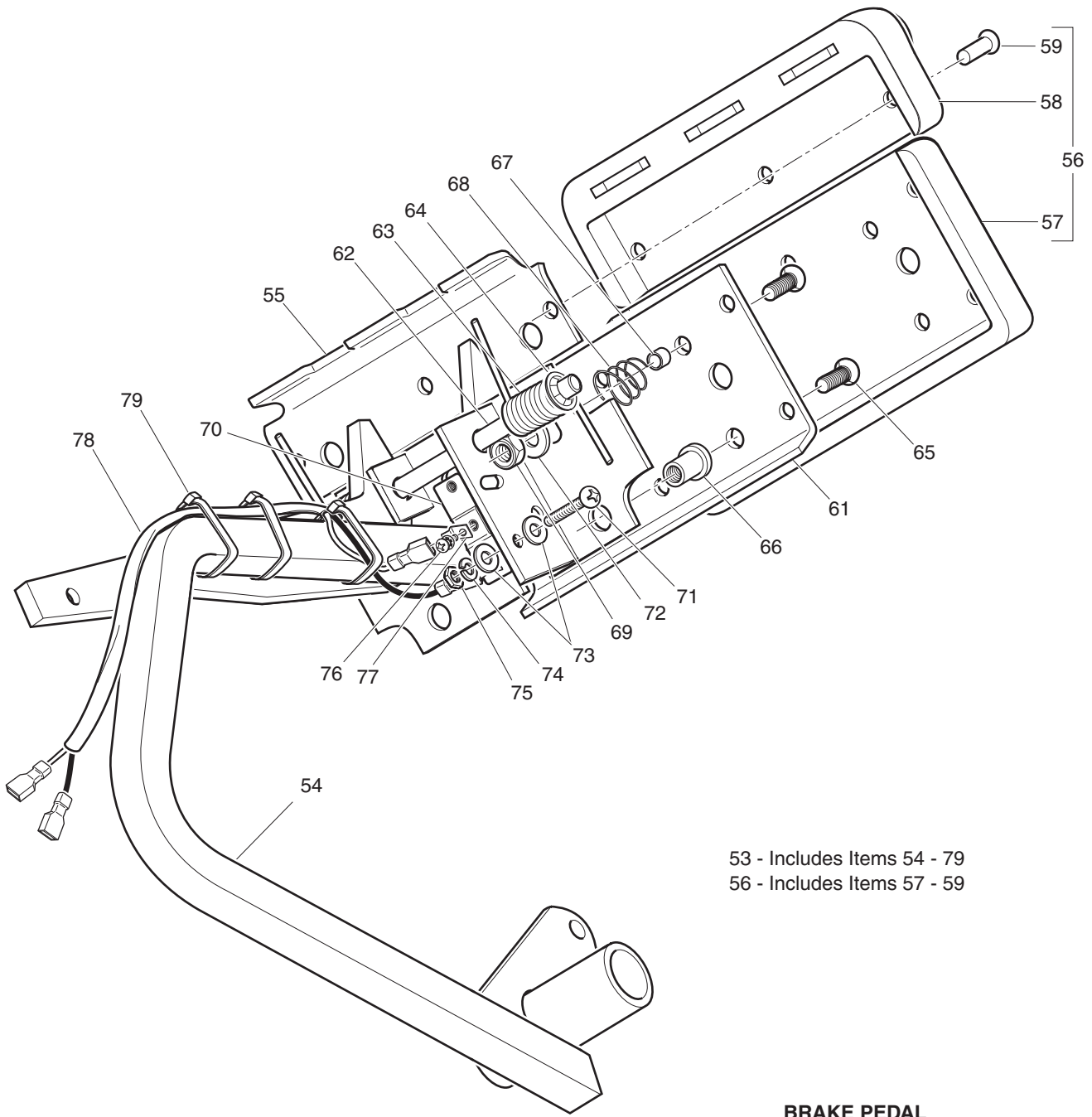
G** Indicates consult Customer Service Department for additional information.

ITEM	PART NO.	1	2	3	4	5	DESCRIPTION	QTY.
241								
242	74492-G12						DROPPED CLEVIS HITCH KIT (INCLUDES ITEMS 243 - 247)	1
243	74495-G01						DROPPED CLEVIS HITCH	1
244	21317-G1						CLEVIS PIN, 5/8" X 3" LG	1
245	21683-G1						COTTER PIN, 15/32" X 2 13/16" LG	1
246	14443-G7						CLEVIS PIN, 1/2" X 2 5/8" LG	1
247	19314-G1						COTTER PIN	1

BRAKES



Ref Brk 9-1

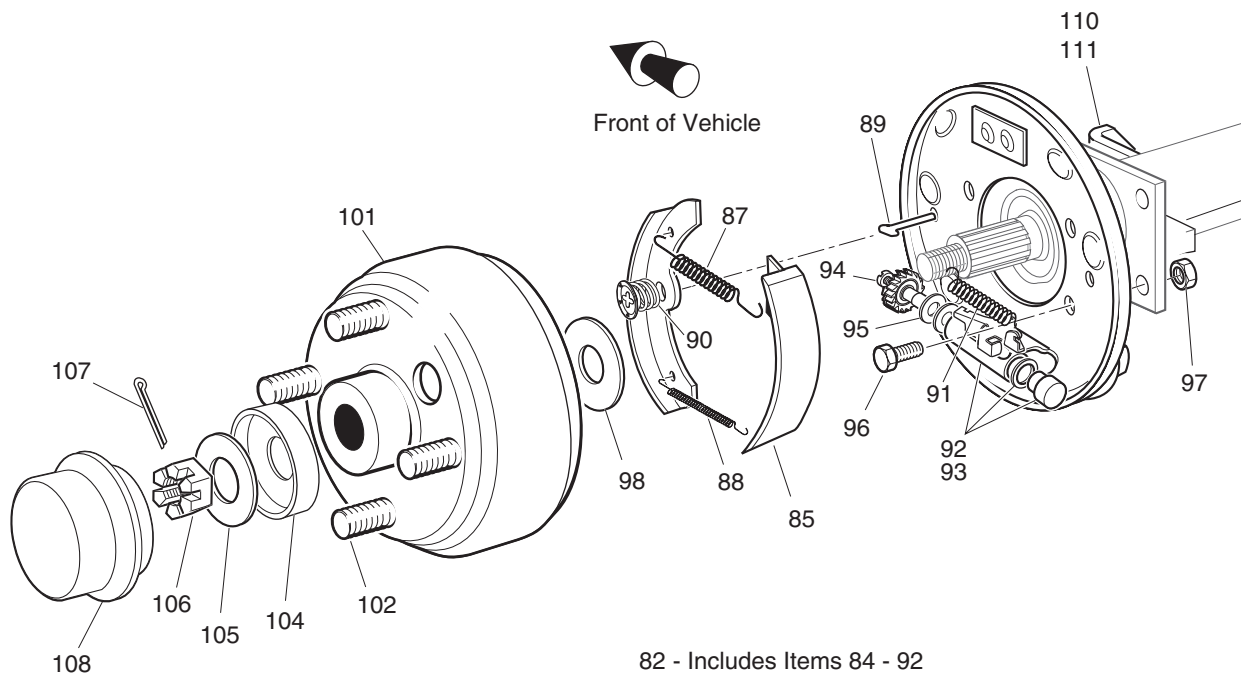


53 - Includes Items 54 - 79
56 - Includes Items 57 - 59

**BRAKE PEDAL
(VEHICLE WITH BRAKE LIGHTS)**

Ref Brk 9-2

BRAKES



- 82 - Includes Items 84 - 92
- 83 - Includes Items 84 - 91, 93
- 84 - Includes Items 85
- 86 - Includes Items 87 - 91
- 92 - Includes Items 94, 95
- 93 - Includes Items 94, 95
- 100 - Includes Items 101, 102

Ref Brk 9-3

BRAKES

THE USE OF NON U.L. PARTS WILL VOID ANY U.L. LISTING.

When ordering parts, please specify the model and serial number of the product.

* Indicates a component that is not available as an individual part.

G** Indicates consult Customer Service Department for additional information.

ITEM	PART NO.	1 2 3 4 5	DESCRIPTION	QTY.
1	70612-G01		BRAKE PEDAL ASSEMBLY (WITHOUT BRAKE LIGHTS) (INCLUDES ITEMS 2 - 10).....	1
2	70681-G01		TORSION SPRING.....	2
3	70682-G01		PIVOT PIN.....	1
4	01071-G01		PUSHNUT, 5/16".....	1
5	*		BRAKE PEDAL.....	1
6	70611-G01		PARK BRAKE PEDAL.....	1
7	70274-G01		BRAKE/PARK BRAKE PEDAL PAD KIT (INCLUDES ITEMS 8 - 10).....	1
8	*		SERVICE BRAKE PAD.....	1
9	*		PARK BRAKE PEDAL PAD.....	1
10	15766-G1		OVAL RIVET, 3/16" X 7/16" LG.....	9
11				
12	70582-G01		SHOULDER BOLT, 3/8 - 16 X 4" LG (STAINLESS STEEL).....	1
13	70581-G01		FLANGED BUSHING.....	2
14	70676-G01		TORSION SPRING.....	1
15	00643-G1		WASHER, 3/8".....	1
16	11098-G5		LOCK NUT, 3/8 - 16.....	1
17				
18	70272-G04		COMPENSATOR ASSEMBLY (INCLUDES ITEMS 19, 20).....	1
19	00963-G01		SPHERICAL NUT, 5/16 - 24.....	1
20	11098-G9		LOCK NUT, 5/16 - 24.....	1
21				
22	70969-G05		EQUALIZER & BRAKE CABLE ASSEMBLY (INCL ITEMS 24 - 27) (ST 350)....	1
23	70969-G03		EQUALIZER & BRAKE CABLE ASSEMBLY (INCL ITEMS 24 - 27) (SPORT) ...	1
24	28082-G01		EQUALIZER BRACKET.....	1
25	28083-G01		BRAKE COMPENSATOR BUMPER.....	2
26	*		BRAKE CABLE (DRIVER SIDE).....	1
27	*		BRAKE CABLE (PASSENGER SIDE).....	1
28				
29	01111-G01		RETAINING RING, 13/32" (STAINLESS STEEL).....	4

BRAKES

THE USE OF NON U.L. PARTS WILL VOID ANY U.L. LISTING.

When ordering parts, please specify the model and serial number of the product.

* Indicates a component that is not available as an individual part.

G** Indicates consult Customer Service Department for additional information.

ITEM	PART NO.	1 2 3 4 5	DESCRIPTION	QTY.
30	10386-G3		CLEVIS PIN, 5/16" X 13/16" LG	3
31	10387-G3		COTTER PIN, 3/32" X 3/4" LG	3
32	14443-G2		CLEVIS PIN, 5/16" X 5/8" LG (ST SPORT).....	2
33				
34	70601-G01		KICK-OFF LINK.....	1
35	17838-G1		NYLON BUSHING.....	2
36	20835-G1		TEFLON WASHER, 3/8"	2
37	00559-G8		WASHER, 5/16"	2
38	10387-G3		COTTER PIN, 3/32" X 3/4" LG	2
39	70098-G01		KICK-OFF CAM PIVOT.....	1
40	10097-G6		FLANGED BEARING	2
41	70587-G01		KICK-OFF CAM.....	1
42	71215-G01		SETSCREW, 1/4 - 20 X 1/2" LG.....	2
43	14134-G4		SPACER.....	1
44				
45	70113-G01		ADJUSTABLE BUMPER	1
46	11027-G1		LOCK NUT, 5/16 - 18	1
47				
48	70080-G01		CATCH BRACKET	1
49	00414-G6		BOLT, 1/4 - 20 X 3/4" LG	2
50	00654-G2		LOCK NUT, 1/4 - 20 (STAINLESS STEEL)	2
51				
52				
53	70690-G01		BRAKE PEDAL ASSEMBLY (WITH BRAKE LIGHTS) (INCLUDES ITEMS 54 - 79).....	1
54	*		BRAKE PEDAL.....	1
55	70611-G01		PARK BRAKE PEDAL	1
56	70274-G01		BRAKE/PARK BRAKE PEDAL PAD KIT (INCLUDES ITEMS 57 - 59).....	1
57	*		SERVICE BRAKE PAD	1
58	*		PARK BRAKE PAD.....	1

BRAKES

THE USE OF NON U.L. PARTS WILL VOID ANY U.L. LISTING.

When ordering parts, please specify the model and serial number of the product.

* Indicates a component that is not available as an individual part.

G** Indicates consult Customer Service Department for additional information.

ITEM	PART NO.	1	2	3	4	5	DESCRIPTION	QTY.
59	15766-G1						OVAL RIVET, 3/16" x 7/16" LG	9
60								
61	70258-G02						BRAKE PEDAL PLATE	1
62	70682-G01						PIVOT PIN	1
63	70681-G01						TORSION SPRING	2
64	01071-G01						PUSHNUT, 5/16"	1
65	00737-G8						SCREW, #10 - 24 X 7/8" LG	4
66	00739-G1						RUBBER NUT, #10 - 24	2
67	22362-G3						BRAKE PEDAL STANDOFF	2
68	27137-G01						CONICAL SPRING	2
69	11098-G7						LOCK NUT, #10 - 24	2
70	10606-G8						MICRO SWITCH	1
71	00957-G1						BOLT, #6 - 32 X 1 1/4" LG	2
72	00559-G5						WASHER, #10	2
73	00559-G3						WASHER, #6	4
74	00565-G3						LOCK WASHER, #6	2
75	00525-G5						NUT, #6 - 32	2
76	13514-G1						SCREW AND LOCK WASHER, #6	2
77	14628-G1						FASTON TAB	2
78	24605-G1						WIRE HARNESS (BRAKE LIGHT)	1
79	17618-G1						WIRE TIE	3
80								
81								
82	70793-G01						BRAKE ASSEMBLY (DRIVER SIDE) (INCLUDES ITEMS 84 - 92)	1
83	70793-G02						BRAKE ASSEMBLY (PASSENGER SIDE) (INCL. ITEMS 84 - 91, 93)	1
84	70794-G01						BRAKE SHOE KIT (INCLUDES ITEM 85)	2
85	*						BRAKE SHOE	2
86	27944-G01						BRAKE SPRING KIT (INCLUDES ITEMS 87 - 91)	2
87	*						UPPER SPRING	1
88	*						LOWER SPRING	1

BRAKES

THE USE OF NON U.L. PARTS WILL VOID ANY U.L. LISTING.

When ordering parts, please specify the model and serial number of the product.

* Indicates a component that is not available as an individual part.

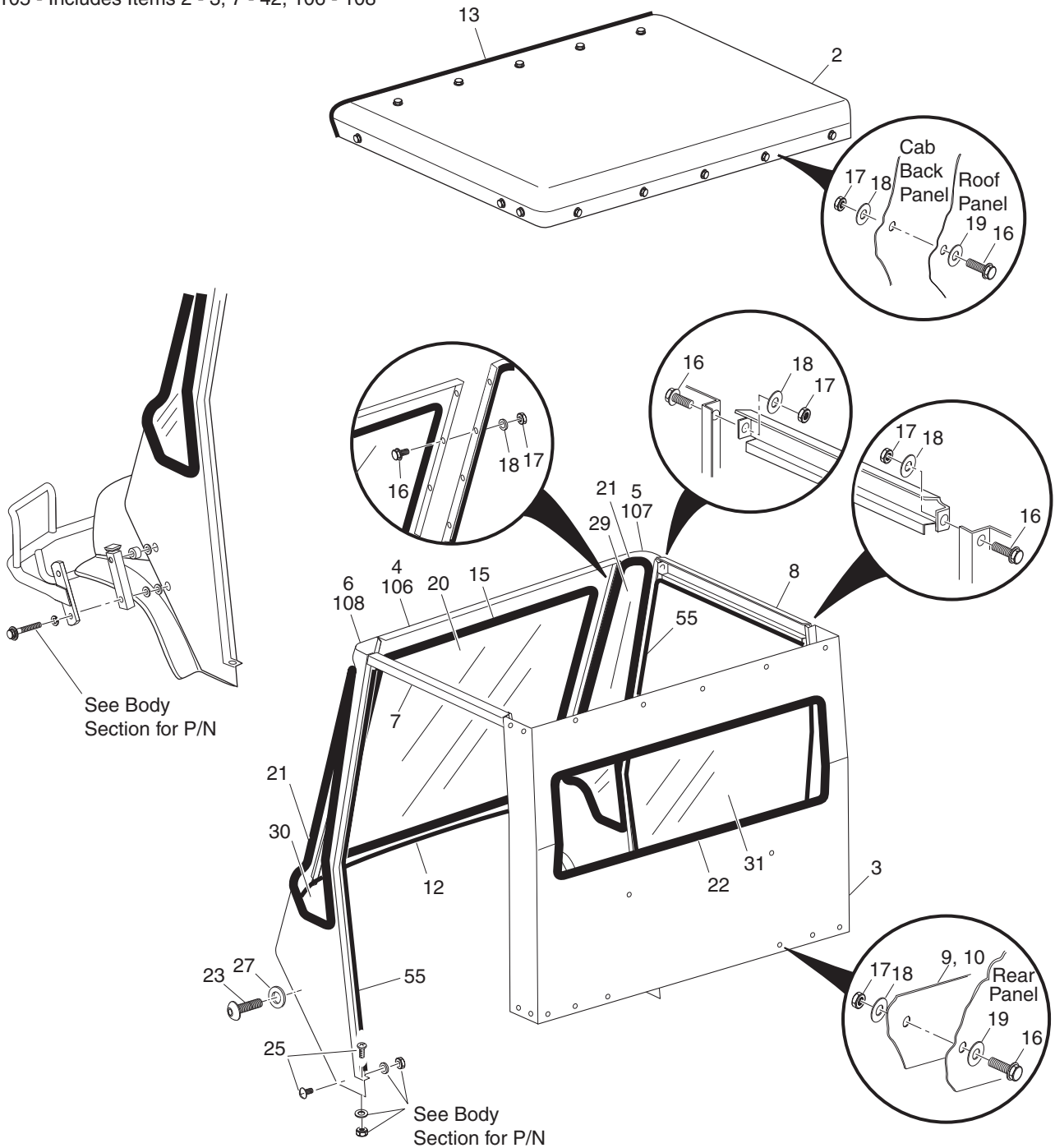
G** Indicates consult Customer Service Department for additional information.

ITEM	PART NO.	1	2	3	4	5	DESCRIPTION	QTY.
89	*						PIN	2
90	*						CUP AND SPRING	2
91	*						ADJUSTER SPRING.....	1
92	72582-G01						BRAKE ADJUSTER KIT (DRIVER SIDE) (INCLUDES ITEMS 94, 95)	1
93	72582-G02						BRAKE ADJUSTER KIT (PASSENGER SIDE) (INCL ITEMS 94, 95).....	1
94	*						ADJUSTER	1
95	*						TEFLON WASHER.....	2
96	17083-G2						BOLT, 5/16 - 24 X 1" LG	8
97	15126-G1						LOCK NUT, 5/16 - 24	8
98	21809-G1						INNER BRAKE DRUM WASHER, 1 5/16" OD X 1" ID X 1/32"	2
99								
100	21807-G2						BRAKE DRUM ASSEMBLY (INCLUDES ITEMS 101 - 102).....	2
101	*						BRAKE DRUM.....	1
102	19862-G2						LUG BOLT, 1/2 - 20 X 1 11/16" LG	4
103								
104	24939-G2						SPINDLE CAP ADAPTER.....	1
105	21830-G1						OUTER BRAKE DRUM WASHER	2
106	00518-G8						SLOTTED NUT, 3/4 - 16.....	2
107	10387-G1						COTTER PIN, 1/8" X 1 1/2" LG	2
108	12091-G1						SPINDLE CAP.....	2
109								
110	75870-G01						BRAKE CABLE BRACKET (PASSENGER SIDE).....	1
111	75870-G02						BRAKE CABLE BRACKET (DRIVER SIDE)	1

CAB (FLAT WINDSHIELD)

CAB COMPONENTS

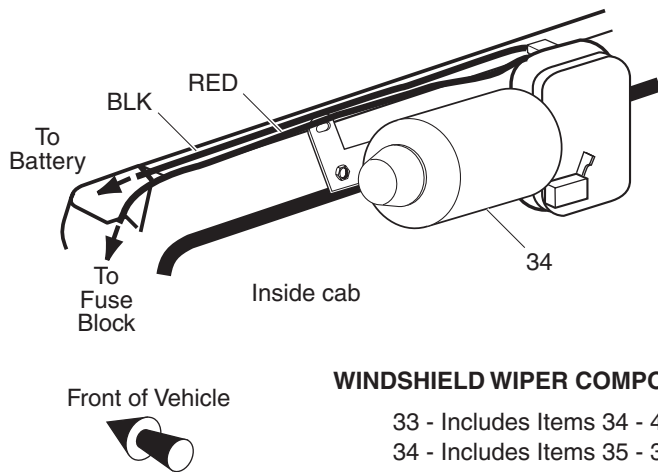
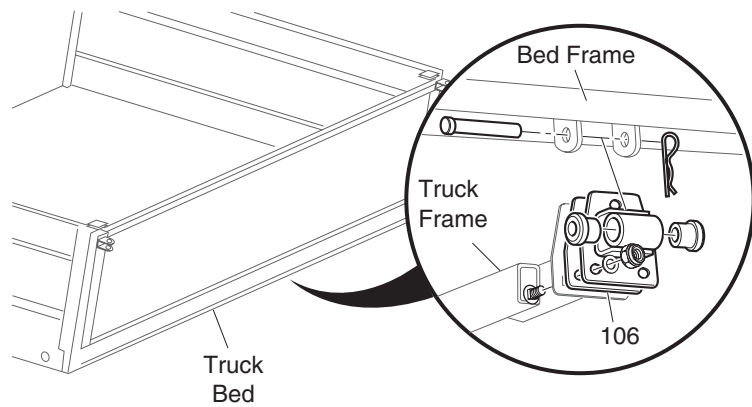
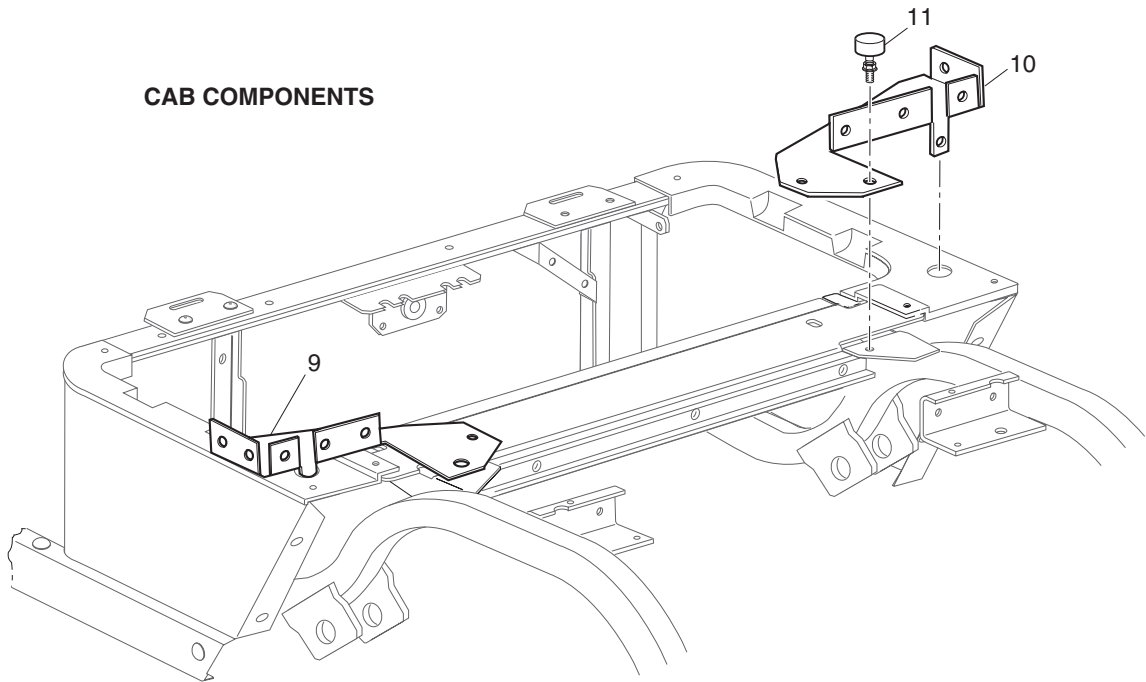
105 - Includes Items 2 - 3, 7 - 42, 106 - 108



Ref Cbo 9-1

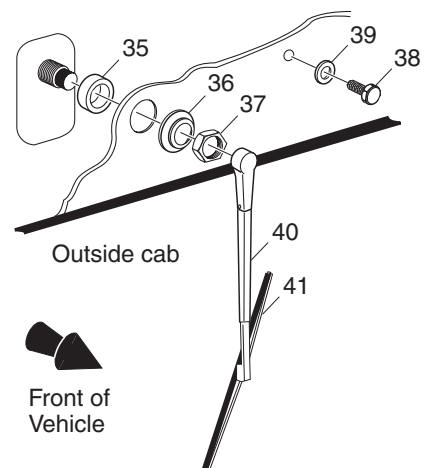
CAB (FLAT WINDSHIELD)

CAB COMPONENTS



WINDSHIELD WIPER COMPONENTS

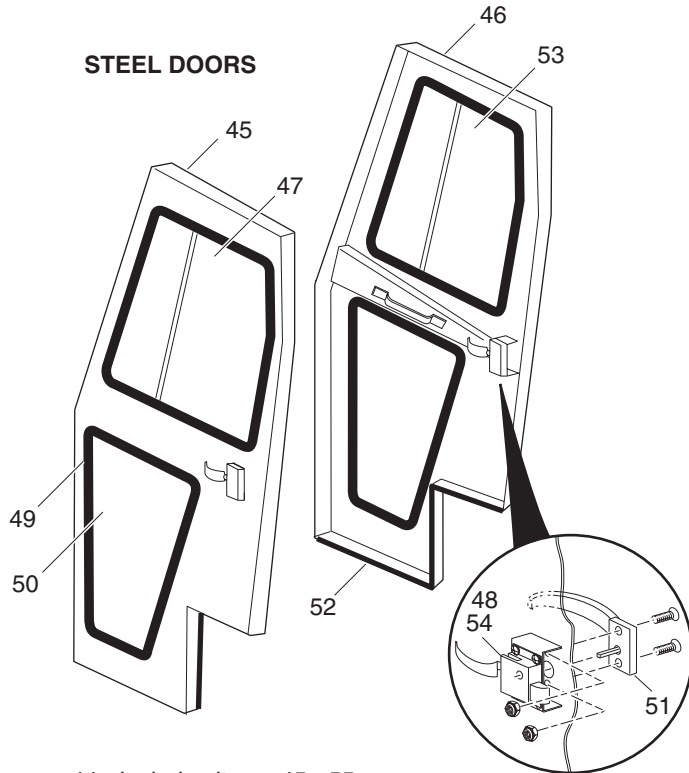
- 33 - Includes Items 34 - 42
- 34 - Includes Items 35 - 39



Ref Cbo 9-2

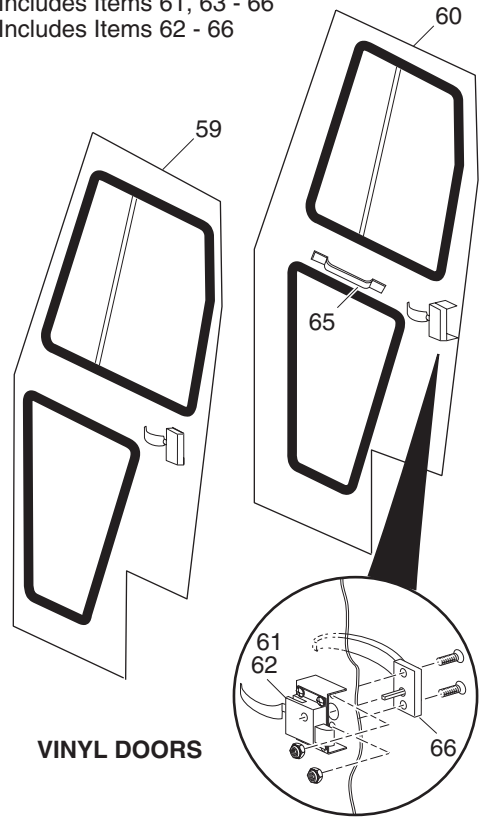
CAB (FLAT WINDSHIELD)

STEEL DOORS

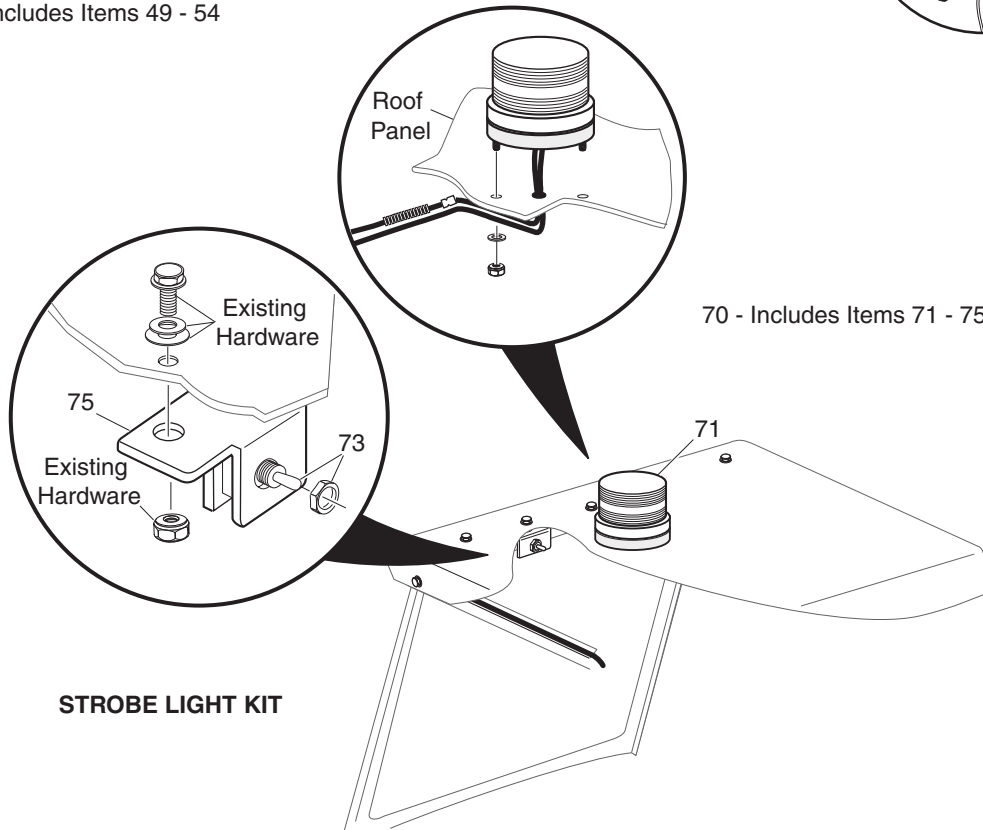


- 44 - Includes Items 45 - 55
- 45 - Includes Items 47 - 52
- 46 - Includes Items 49 - 54

- 58 - Includes Items 59 - 66
- 59 - Includes Items 61, 63 - 66
- 60 - Includes Items 62 - 66



VINYL DOORS



- 70 - Includes Items 71 - 75

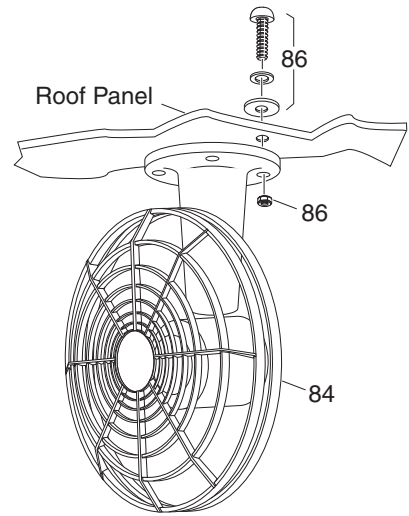
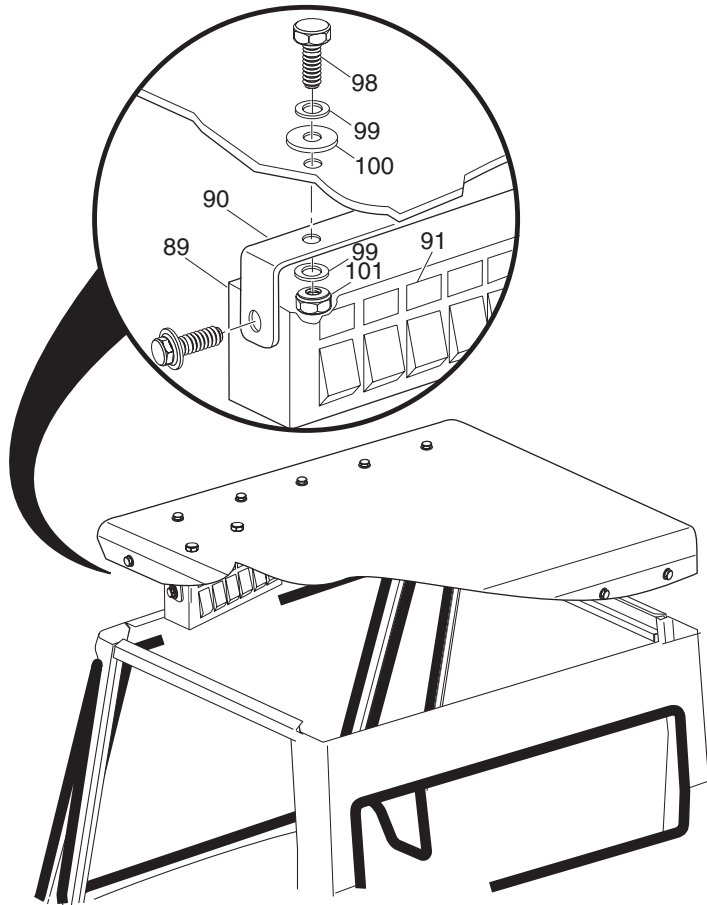
STROBE LIGHT KIT

Ref Cbo 9-3

CAB (FLAT WINDSHIELD)

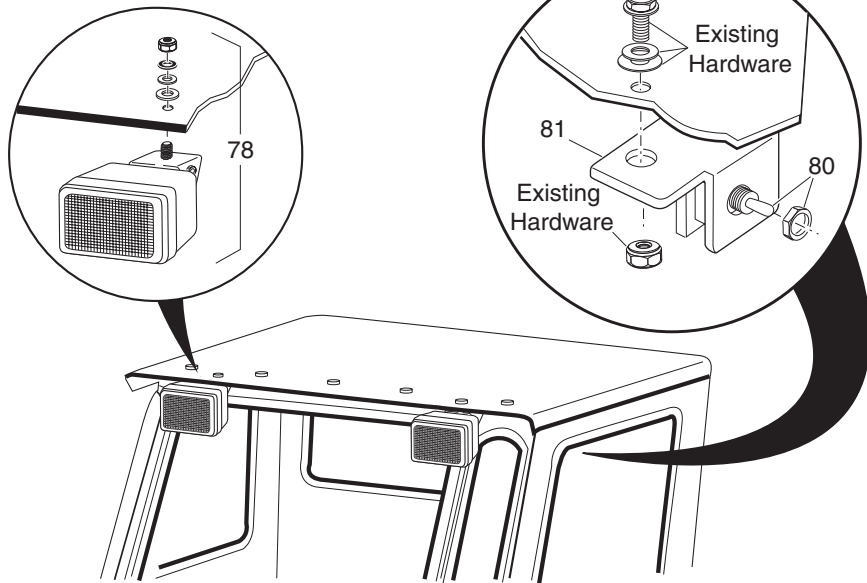
SWITCH PANEL KIT

88 - Includes Items 89 - 103



DEFROSTER / COOLING FAN KIT

83 - Includes Items 84 - 86



WORKLIGHT KIT

77 - Includes Items 78 - 81

Ref Cbo 9-4

CAB (FLAT WINDSHIELD)

THE USE OF NON U.L. PARTS WILL VOID ANY U.L. LISTING.

When ordering parts, please specify the model and serial number of the product.

* Indicates a component that is not available as an individual part.

G** Indicates consult Customer Service Department for additional information.

ITEM	PART NO.	1 2 3 4 5	DESCRIPTION	QTY.
1	*		STEEL CAB (WITHOUT DOORS) (NO LONGER AVAILABLE, REPLACED BY 75854-G**, SEE PAGE E-9).....	1
2	74228-G0*A		ROOF PANEL	1
3	74228-G0*B		REAR PANEL.....	1
4	74227-G0*C		WINDSHIELD PANEL	1
5	74227-G0*D		FRONT CORNER PANEL (PASSENGER SIDE)	1
6	74227-G0*E		FRONT CORNER PANEL (DRIVER SIDE).....	1
7	74228-G0*F		RECEIVER (DRIVER SIDE).....	1
8	74228-G0*G		RECEIVER (PASSENGER SIDE)	1
9	74228-G0*H		LOWER MOUNTING BRACKET (DRIVER SIDE)	1
10	74228-G0*I		LOWER MOUNTING BRACKET (PASSENGER SIDE).....	1
11	70113-G01		ADJUSTABLE BUMPER	2
12	1P004A		FRONT PANEL COWL SEAL GASKET (85" LG)	1
13	1P004D		ROOF TRIM (50" LG).....	1
14				
15	6E03		FRONT WINDSHIELD MOUNTING GASKET	1
16	6E03A		BOLT, 3/8 - 16 X 7/8" LG	44
17	6E03B		LOCK NUT, 3/8 - 16	44
18	6E03C		WASHER, 3/8"	44
19	6E03D		NYLON WASHER, 3/8"	26
20	6E03E		FRONT WINDSHIELD GLASS	1
21	6E03H		FRONT CORNER PANEL MOUNTING GASKET	2
22	6E03J		REAR PANEL WINDOW MOUNTING GASKET	1
23	6E03S		ALLEN BUTTON HEAD BOLT	4
24				
25	6E03U		BOLT, 1/4 - 20 X 1 1/2" LG	4
26	6E03V		NYLON SPACER, 1/4"	4
27	6E03W		WASHER, 5/16"	4
28				
29	6E05A		FRONT CORNER PANEL WINDOW (PASSENGER SIDE)	1

CAB (FLAT WINDSHIELD)

THE USE OF NON U.L. PARTS WILL VOID ANY U.L. LISTING.

When ordering parts, please specify the model and serial number of the product.

* Indicates a component that is not available as an individual part.

G** Indicates consult Customer Service Department for additional information.

ITEM	PART NO.	1	2	3	4	5	DESCRIPTION	QTY.
30	6E05B						FRONT CORNER PANEL WINDOW (DRIVER SIDE).....	1
31	6E05C						REAR PANEL WINDOW	1
32								
33	74244-G01						WINDSHIELD WIPER KIT (INCLUDES ITEMS 34 - 42).....	1
34	9PWM85						WIPER MOTOR (INCLUDES ITEMS 35 - 39).....	1
35	*						SPACER	1
36	*						SHAFT COVER (SEAL)	1
37	*						NUT	1
38	*						BOLT	1
39	*						WASHER.....	1
40	9PWA						WIPER ARM	1
41	9PWB						WINDSHIELD WIPER BLADE.....	1
42	9E003						ELECTRICAL HARDWARE KIT (NOT ILLUSTRATED)	1
43								
44	74301-G0*						STEEL DOOR KIT (INCLUDES ITEMS 45 - 55).....	1
45	74301-G0*A						STEEL DOOR (DRIVER SIDE) (INCLUDES ITEMS 47 - 52).....	1
46	74301-G0*B						STEEL DOOR (PASSENGER SIDE) (INCLUDES ITEMS 49 - 54).....	1
47	6E05D						SLIDING DOOR WINDOW ASSEMBLY (DRIVER SIDE)	1
48	9DHSL						INSIDE DOOR LATCH (DRIVER SIDE).....	1
49	6E03P						LOWER DOOR WINDOW MOUNTING GASKET.....	1
50	6E05F						LOWER DOOR WINDOW.....	1
51	9DHOS1						OUTSIDE DOOR HANDLE (KEY LOCKING)	2
52	1P004B						LOWER DOOR SEAL GASKET (43" LG)	1
53	6E05E						SLIDING DOOR WINDOW ASSEMBLY (PASSENGER SIDE)	1
54	9DHSLR						INSIDE DOOR LATCH (PASSENGER SIDE)	1
55	1P004C						DOOR SEAL GASKET (123" LG).....	2
56	9P001A						REPLACEMENT DOOR HINGE KIT (NOT ILLUSTRATED).....	A/R
57								
58	74242-G01						VINYL DOOR KIT (INCLUDES ITEMS 59 - 66).....	1
59	9DVK-L						VINYL DOOR (DRIVER SIDE) (INCLUDES ITEMS 61, 63 - 66).....	1

CAB (FLAT WINDSHIELD)

THE USE OF NON U.L. PARTS WILL VOID ANY U.L. LISTING.

When ordering parts, please specify the model and serial number of the product.

* Indicates a component that is not available as an individual part.

G** Indicates consult Customer Service Department for additional information.

ITEM	PART NO.	1 2 3 4 5	DESCRIPTION	QTY.
60	9DVK-R		VINYL DOOR (PASSENGER SIDE) (INCLUDES ITEMS 62 - 66)	1
61	9DHSL		INSIDE DOOR LATCH (DRIVER SIDE)	1
62	9DHSLR		INSIDE DOOR LATCH (PASSENGER SIDE)	1
63	9DCK		DOOR CHECK (NOT ILLUSTRATED)	1
64	9DSTK1		DOOR STRIKER (NOT ILLUSTRATED)	1
65	9DGH1		DOOR GRAB HANDLE	1
66	9DHOS1		OUTSIDE DOOR HANDLE (KEY LOCKING)	1
67	9PSSHL		REPLACEMENT DOOR HINGE (DRIVER SIDE) (NOT ILLUSTRATED)	1
68	9PSSHR		REPLACEMENT DOOR HINGE (PASSENGER SIDE) (NOT ILLUSTRATED) ..	1
69				
70	74245-G01		STROBE LIGHT KIT (INCLUDES ITEMS 71 - 75)	1
71	9PSLRL		STROBE LENS	1
72	9E001		ELECTRICAL HARDWARE KIT (NOT ILLUSTRATED)	1
73	9E002		TOGGLE SWITCH	1
74	9PSLRB		REPLACEMENT BULB (NOT ILLUSTRATED)	1
75	9PB001		BRACKET	1
76				
77	74247-G01		WORK LIGHT KIT (INCLUDES ITEMS 78 - 81)	1
78	9LW1A		WORK LIGHT (INCLUDES HARDWARE)	2
79	9E001		ELECTRICAL HARDWARE KIT (NOT ILLUSTRATED)	1
80	9E002		TOGGLE SWITCH	1
81	9PB001		BRACKET	1
82				
83	74248-G01		DEFROSTER / COOLING FAN KIT (INCLUDES ITEMS 84 - 86)	1
84	9PDF		FAN	1
85	9E001		ELECTRICAL HARDWARE KIT (NOT ILLUSTRATED)	1
86	9PFHK		HARDWARE KIT	1
87				
88	74250-G01		SWITCH PANEL KIT (INCLUDES ITEMS 89 - 103)	1
89	9PSF1-001		SWITCH PANEL	1

CAB (FLAT WINDSHIELD)

THE USE OF NON U.L. PARTS WILL VOID ANY U.L. LISTING.

When ordering parts, please specify the model and serial number of the product.

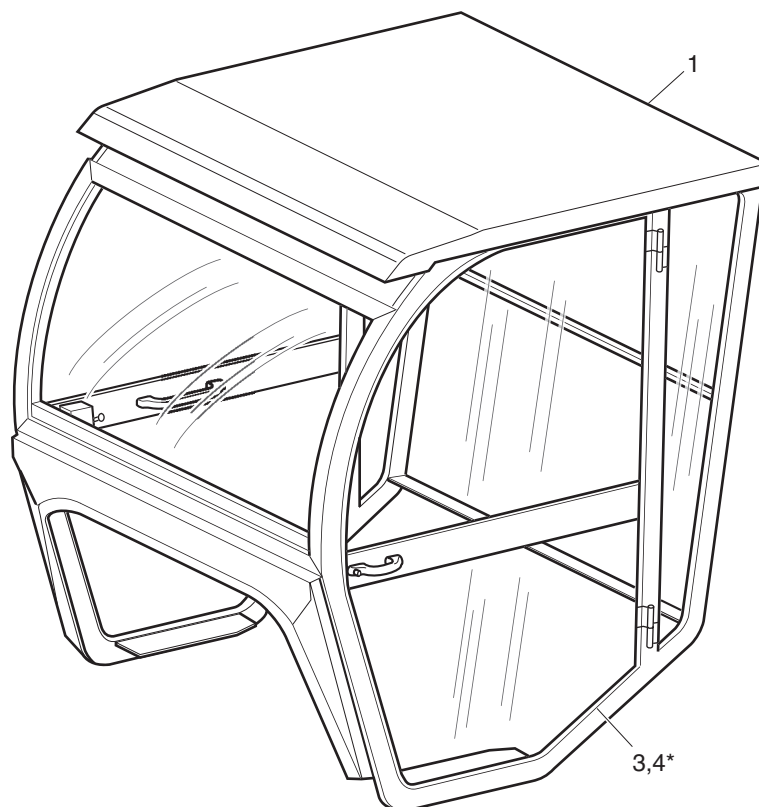
* Indicates a component that is not available as an individual part.

G** Indicates consult Customer Service Department for additional information.

ITEM	PART NO.	1	2	3	4	5	DESCRIPTION	QTY.
90	9PSF1-002						MOUNTING BRACKET AND HARDWARE	1
91	9PSF1-003						ADHESIVE LABELS	1
92	9PSF1-004						3 AMP FUSE (NOT ILLUSTRATED)	2
93	9PSF1-005						5 AMP FUSE (NOT ILLUSTRATED)	3
94	9PSF1-006						7.5 AMP FUSE (NOT ILLUSTRATED)	1
95	9PSF1-007						FLEX LOOM, 5/8" X 10 FT LG (NOT ILLUSTRATED)	1
96	9PSF1-008						4-WAY BASE TIE (NOT ILLUSTRATED).....	6
97	9PSF1-009						WIRE TIE (NOT ILLUSTRATED).....	14
98	9PSF1-010						BOLT, 1/4 - 20 X 7/8" LG.....	2
99	9PSF1-011						WASHER, 1/4"	4
100	9PSF1-012						NYLON WASHER, 1/4".....	2
101	9PSF1-013						LOCK NUT, 1/4 - 20.....	2
102	9PSF1-014						10 GA WIRE (RED 8") (NOT ILLUSTRATED).....	1
103	9PSF1-015						10 GA WIRE (BLACK 8") (NOT ILLUSTRATED).....	1
104								
105								
106	6E03T						BED SPACER	2

CAB (CURVED WINDSHIELD)

ST 350



*Steel Doors Shown

For Cab Accessories, See ACCESSORIES LISTING in Appendix B

Ref Cab 9

CAB (CURVED WINDSHIELD)

THE USE OF NON U.L. PARTS WILL VOID ANY U.L. LISTING.

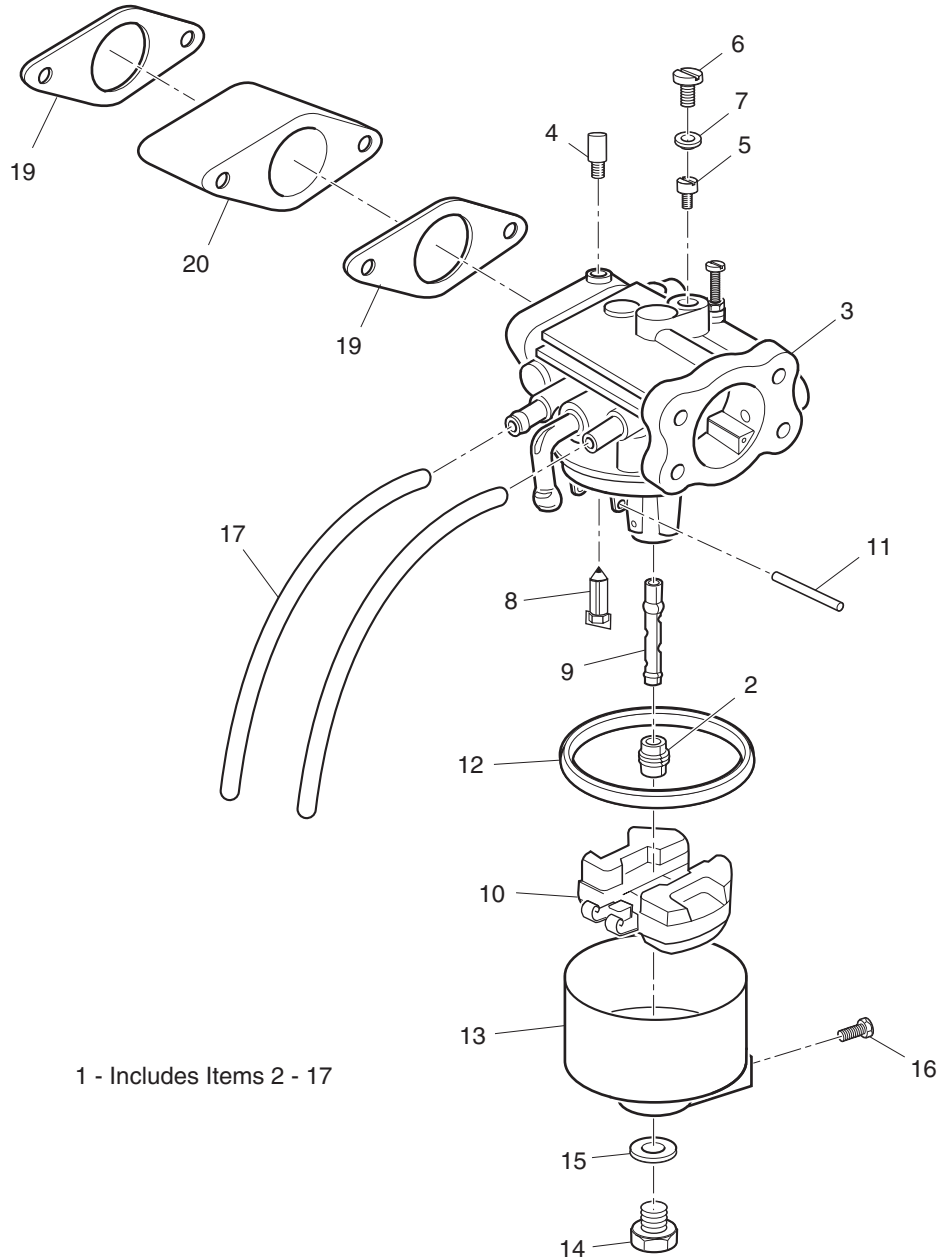
When ordering parts, please specify the model and serial number of the product.

* Indicates a component that is not available as an individual part.

G** Indicates consult Customer Service Department for additional information.

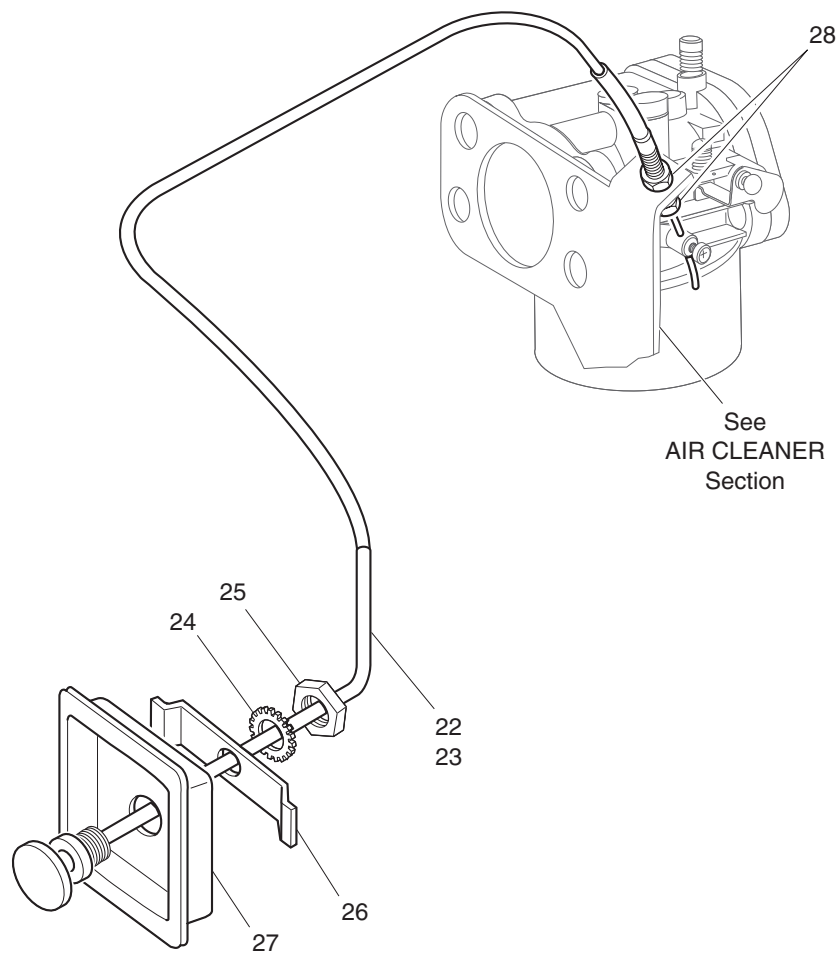
ITEM	PART NO.	1	2	3	4	5	DESCRIPTION	QTY.
1	75854-G**						STEEL CAB (WITHOUT DOORS) REPACEMENT PARTS AND ACCESSORIES MAY BE OBTAINED FROM CURTIS CAB, INC.) (ST 350)	1
2								
3	75855-G01						VINYL DOOR KIT.....	1
4	75856-G**						STEEL DOOR KIT.....	1

CARBURETOR AND CHOKE



Ref Cac 9-1

CARBURETOR AND CHOKE



Ref Cac 9-2

CARBURETOR AND CHOKE

THE USE OF NON U.L. PARTS WILL VOID ANY U.L. LISTING.

When ordering parts, please specify the model and serial number of the product.

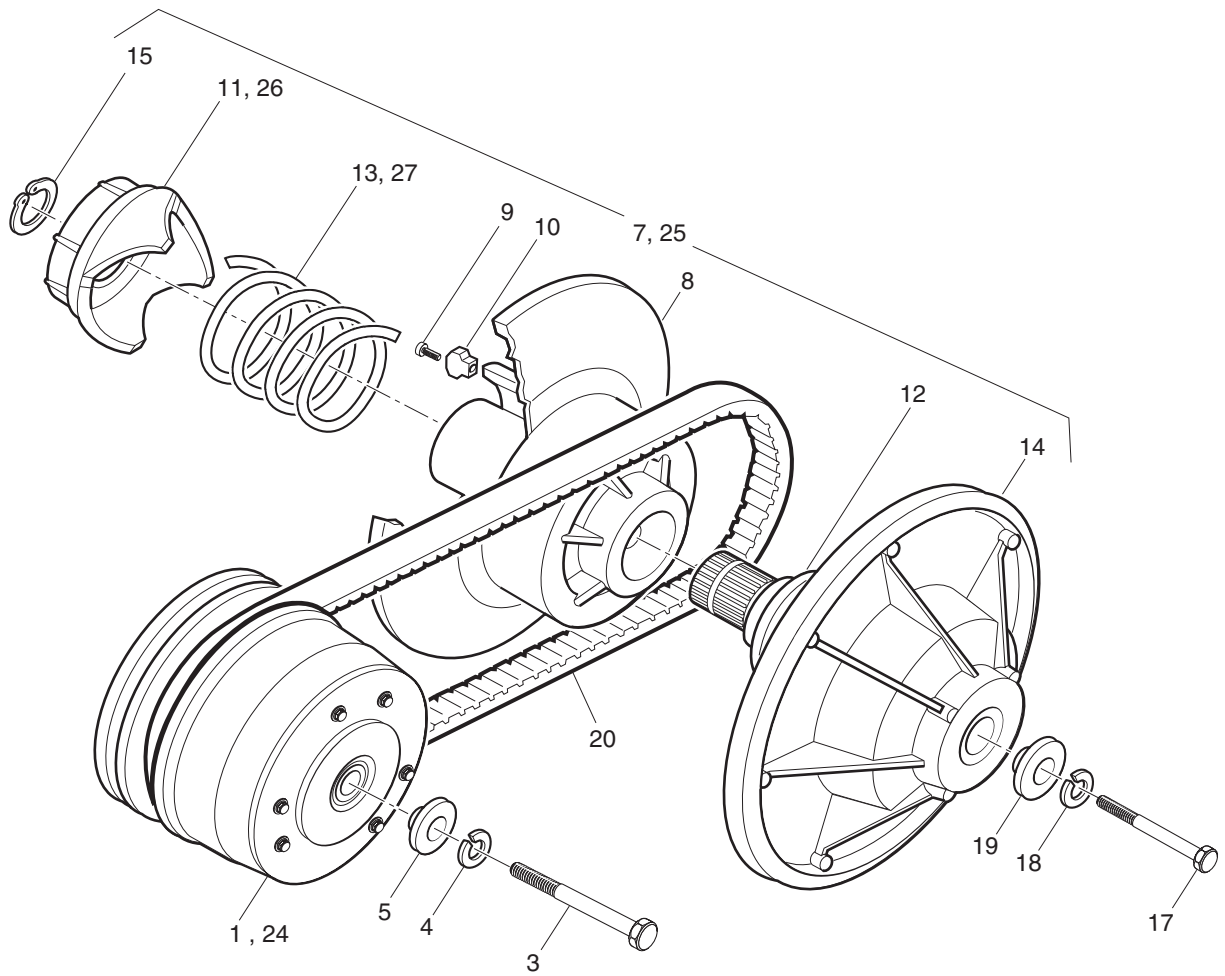
* Indicates a component that is not available as an individual part.

G** Indicates consult Customer Service Department for additional information.

ITEM	PART NO.	1	2	3	4	5	DESCRIPTION	QTY.
1	72558-G05						CARBURETOR ASSEMBLY (FOR FUJI ENGINE P/N EH35CPG5033) (INCLUDES ITEMS 2 - 17).....	1
2	26646-G07						MAIN JET (#90)	1
3	*						CARBURETOR BODY.....	1
4	*						PILOT SCREW	1
5	26649-G05						PILOT JET (#46).....	1
6	26841-G01						PLUG	1
7	72306-G01						GASKET	1
8	72578-G01						NEEDLE VALVE	1
9	*						MAIN NOZZLE	1
10	26648-G01						FLOAT.....	1
11	26840-G01						FLOAT PIN.....	1
12	26843-G01						FLOAT BOWL GASKET	1
13	26844-G01						FLOAT CHAMBER.....	1
14	26839-G01						BOWL SCREW	1
15	26838-G01						BOWL GASKET.....	1
16	*						DRAIN SCREW	1
17	26650-G01						VENT TUBE.....	2
18								
19	26726-G01						CARBURETOR MOUNT GASKET.....	2
20	72311-G01						CARBURETOR INSULATOR	1
21								
22	72401-G02						CHOKE CABLE (WITH NUTS) (ST 350)	1
23	25693-G04						CHOKE CABLE (WITH NUTS) (ST SPORT)	1
24	00568-G4						LOCK WASHER, 9/16".....	1
25	00545-G4						JAM NUT, 9/16 - 18	1
26	72155-G01						RETAINER	1
27	72154-G01						CHOKE CABLE ADAPTER.....	1
28	00544-G4						JAM NUT, 5/16 - 24	2

CARBURETOR AND CHOKE

CLUTCH



Ref Clt 9

CLUTCH

THE USE OF NON U.L. PARTS WILL VOID ANY U.L. LISTING.

When ordering parts, please specify the model and serial number of the product.

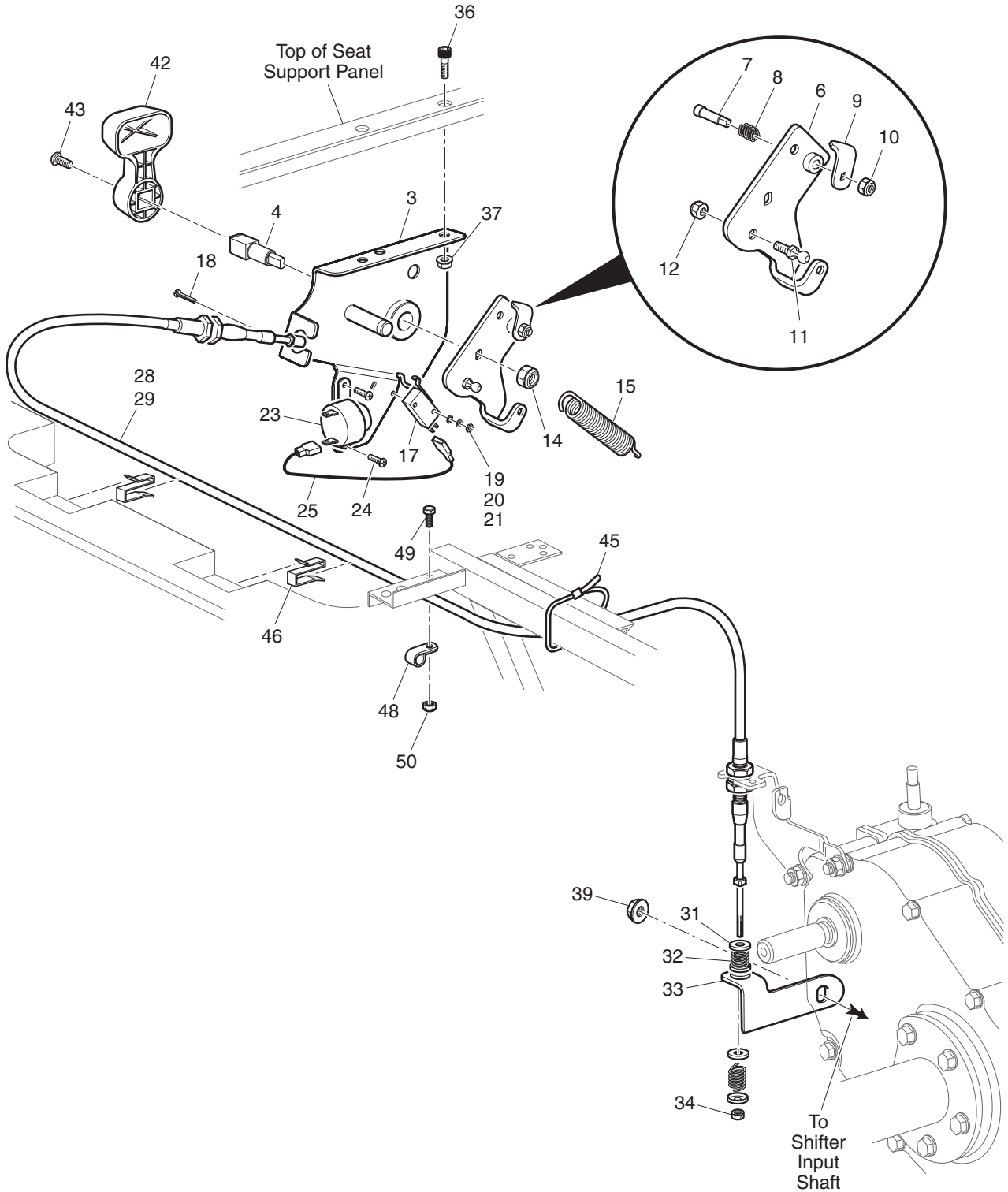
* Indicates a component that is not available as an individual part.

G** Indicates consult Customer Service Department for additional information.

ITEM	PART NO.	1 2 3 4 5	DESCRIPTION	QTY.
1	26952-G01		DRIVE CLUTCH	1
2				
3	00473-G9		BOLT, 7/16 - 20 X 6 1/2" LG	1
4	00566-G2		LOCK WASHER, 7/16"	1
5	25757-G1		PILOT WASHER	1
6				
7	26301-G03		DRIVEN CLUTCH ASSEMBLY (INCLUDES ITEMS 8 - 15)	1
8	*		MOVABLE SHEAVE (INCLUDES ITEMS 9 -10).....	1
9	00979-G01		SCREW, #10 - 24 X 7/8" LG.....	3
10	72324-G01		RAMP BUTTON	3
11	*		CAM	1
12	24600-G1		SPACER, 1 1/2"	1
13	26304-G01		COMPRESSION SPRING	1
14	*		SHEAVE AND POST	1
15	27270-G01		HEAVY DUTY RETAINING RING	1
16				
17	00441-G8		BOLT, 5/16 - 18 X 4" LG	1
18	00565-G8		LOCK WASHER, 5/16"	4
19	25756-G1		RETAINING WASHER	1
20	72328-G01		DRIVE BELT (SEVERE DUTY)	1
21				
22				
23				
24	26952-G02		DRIVE CLUTCH (HIGH ALTITUDE)	1
25	25632-G03		DRIVEN CLUTCH (HIGH ALTITUDE) (INCLUDES ITEMS 8, 12, 14, 15, 26, 27).....	1
26	*		CAM	1
27	25612-G1		COMPRESSION SPRING	1

DIRECTION SELECTOR - SINGLE CABLE

- 1 - Includes Items 3 - 28, 31 - 34 (ST 350)
- 2 - Includes Items 3 - 25, 29 - 34 (ST SPORT)



Ref Dsl 9

DIRECTION SELECTOR - SINGLE CABLE

THE USE OF NON U.L. PARTS WILL VOID ANY U.L. LISTING.

When ordering parts, please specify the model and serial number of the product.

* Indicates a component that is not available as an individual part.

G** Indicates consult Customer Service Department for additional information.

ITEM	PART NO.	1	2	3	4	5	DESCRIPTION	QTY.
1	72721-G03						DIRECTION SELECTOR ASSY (INCLUDES ITEMS 3 - 28, 31 - 34) (ST 350)..	1
2	72721-G02						DIRECTION SELECTOR ASSY (INCLUDES ITEMS 3 - 25, 29 - 34) (SPORT)..	1
3	74456-G01						DIRECTION SELECTOR BRACKET	1
4	70233-G01						DIRECTION SELECTOR SHAFT	1
5								
6	72738-G01						DIRECTION SELECTOR CAM	1
7	72724-G01						NEUTRAL LOCK PIN	1
8	72733-G01						COMPRESSION SPRING, 3/8" X 5/8" LG	1
9	72729-G01						NEUTRAL LOCK LATCH	1
10	00734-G2						LOCK NUT, 1/4 - 28	1
11	72732-G01						BALL STUD	1
12	00734-G5						LOCK NUT, #10 - 32	1
13								
14	14390-G1						LOCK NUT, 3/8 - 24	1
15	28574-G01						EXTENSION SPRING	1
16								
17	72736-G01						MICRO SWITCH	1
18	01062-G01						SCREW, #4 - 40 X 1" LG	2
19	00559-G1						WASHER, #4	2
20	00565-G1						LOCK WASHER, #4	2
21	00526-G2						NUT, #4 - 40	2
22								
23	73290-G03						REVERSE WARNING BUZZER	1
24	01063-G01						SCREW, #6 - 32 X 3/8" LG	2
25	25978-G345						18 GA WIRE (RED 7")	1
26								
27								
28	72734-G03						SHIFTER CABLE (ST 350)	1
29	72734-G02						SHIFTER CABLE (ST SPORT)	1
30								

DIRECTION SELECTOR - SINGLE CABLE

THE USE OF NON U.L. PARTS WILL VOID ANY U.L. LISTING.

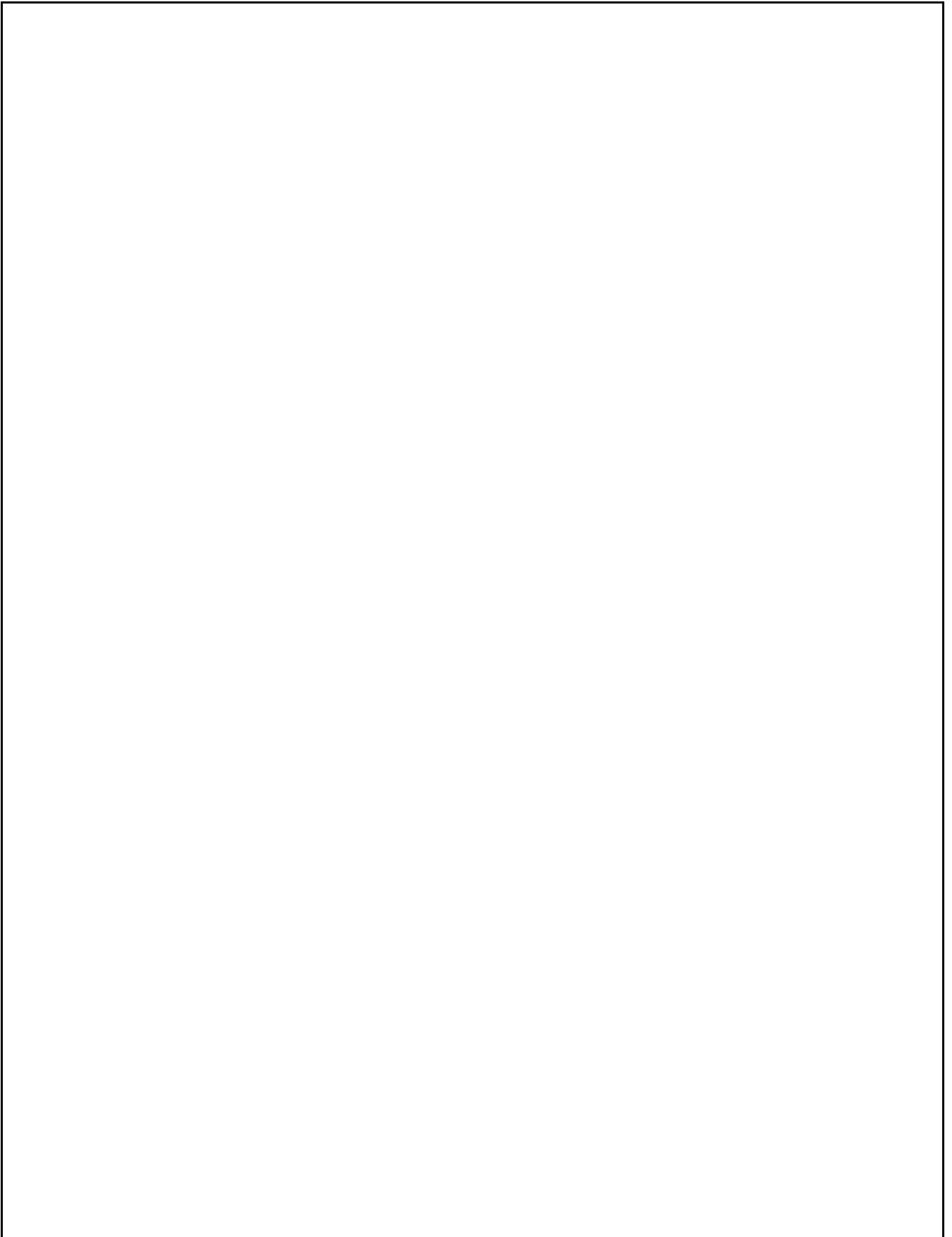
When ordering parts, please specify the model and serial number of the product.

* Indicates a component that is not available as an individual part.

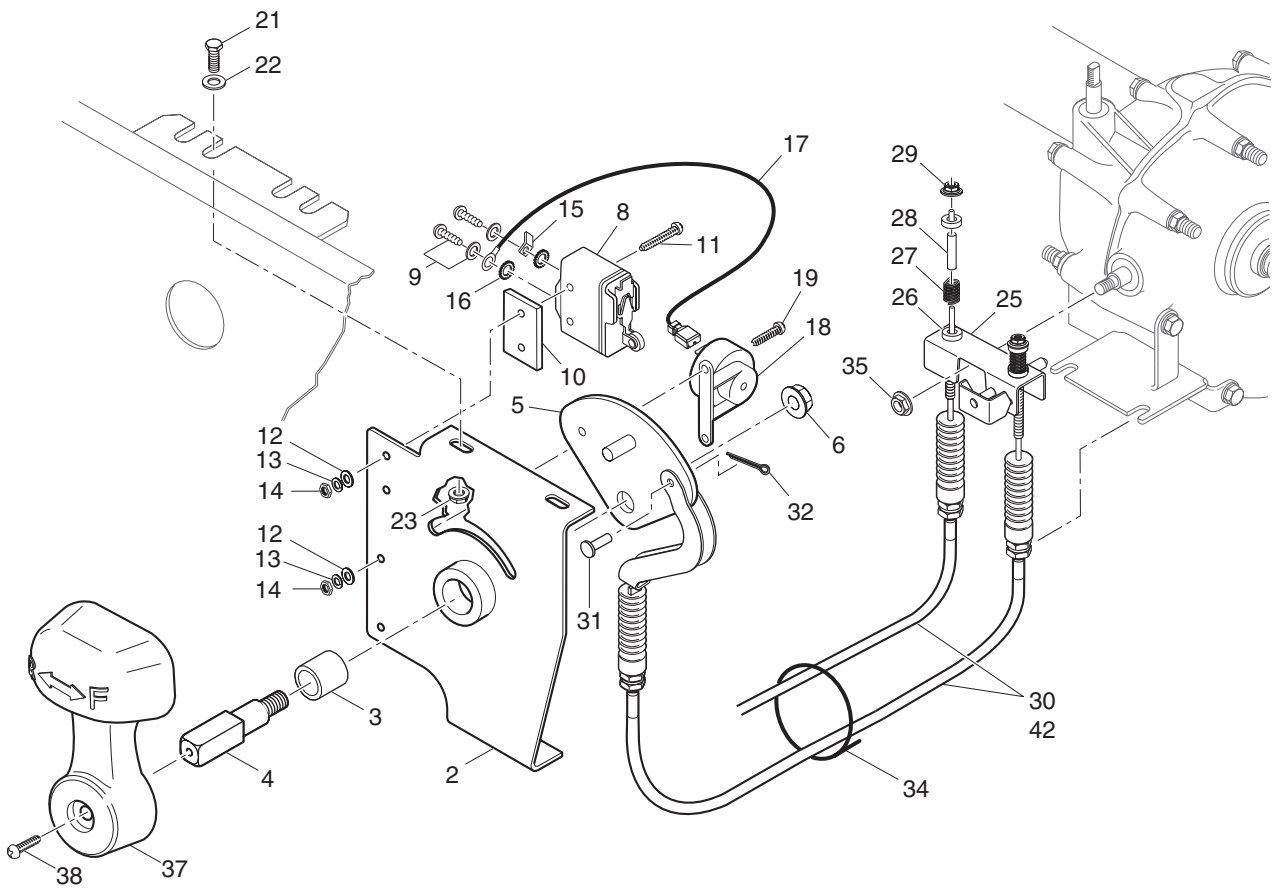
G** Indicates consult Customer Service Department for additional information.

ITEM	PART NO.	1	2	3	4	5	DESCRIPTION	QTY.
31	25727-G01						CUP WASHER, 1/4"	4
32	72735-G01						COMPRESSION SPRING, 19/32" X 1" LG	2
33	74455-G01						SHIFTER ARM WITH BUSHING	1
34	00734-G5						LOCK NUT, #10 - 32	1
35								
36	70227-G01						SCREW, 1/4 - 20 X 7/8" LG	2
37	11027-G2						LOCK NUT, 1/4 - 20	2
38								
39	26830-G01						LOCK NUT, M8 X 1.25 MM	1
40								
41								
42	71205-G01						DIRECTION SELECTOR HANDLE	1
43	00740-G4						SCREW, #10 - 32 X 1/2" LG (STAINLESS STEEL)	1
44								
45	31539-G1						WIRE TIE	1
46	01072-G01						CABLE CLIP	2
47								
48	11845-G5						INSULATED CABLE CLAMP, 3/8" (ST 350)	1
49	00414-G6						BOLT, 1/4 - 20 X 3/4" LG (ST 350)	1
50	14390-G4						LOCK NUT, 1/4 - 20 (ST 350)	1

DIRECTION SELECTOR - SINGLE CABLE



DIRECTION SELECTOR - DUAL CABLE



1 - Includes Items 2 - 32
41 - Includes Items 2 - 29, 31, 32, 42

Ref Dcl 9

DIRECTION SELECTOR - DUAL CABLE

THE USE OF NON U.L. PARTS WILL VOID ANY U.L. LISTING.

When ordering parts, please specify the model and serial number of the product.

* Indicates a component that is not available as an individual part.

G** Indicates consult Customer Service Department for additional information.

ITEM	PART NO.	1	2	3	4	5	DESCRIPTION	QTY.
1	70594-G01						DIRECTION SELECTOR ASSEMBLY (INCLUDES ITEMS 2 - 32) (ST SPORT)	1
2	25684-G01						DIRECTION SELECTOR BRACKET	1
3	25664-G1						BUSHING.....	1
4	27537-G01						DIRECTION SELECTOR SHAFT	1
5	25745-G01						DIRECTION SELECTOR CAM.....	1
6	14390-G1						LOCK NUT, 3/8 - 24	1
7								
8	10606-G1						MICRO SWITCH.....	1
9	*						SCREW AND WASHER ASSEMBLY	2
10	27151-G01						SPACER	1
11	00645-G2						SCREW, #6 - 32 X 1 1/4" LG	2
12	00559-G3						WASHER, #6	4
13	00565-G3						LOCK WASHER, #6	4
14	00525-G5						NUT, #6 - 32.....	4
15	14628-G1						FASTON TAB.....	1
16	00567-G3						LOCK WASHER, #6	2
17	25978-G343						18 GA WIRE (RED 6")	1
18	73290-G03						REVERSE WARNING BUZZER	1
19	00138-G5						SCREW, #6 - 32 X 5/8" LG	2
20								
21	00414-G6						BOLT, 1/4 - 20 X 3/4" LG.....	2
22	01110-G01						WASHER, 1/4" (STAINLESS STEEL).....	2
23	11027-G2						LOCK NUT, 1/4 - 20	2
24								
25	72619-G01						SHIFTER CONTROL PIVOT	1
26	25727-G01						CUP WASHER, 1/4"	4
27	27764-G01						SPRING	2
28	23726-G5						SPACER, 1 1/8"	2
29	11098-G7						LOCK NUT, #10 - 24.....	2
30	25961-G01						SHIFTER CONTROL CABLE (ST SPORT).....	2

DIRECTION SELECTOR - DUAL CABLE

THE USE OF NON U.L. PARTS WILL VOID ANY U.L. LISTING.

When ordering parts, please specify the model and serial number of the product.

* Indicates a component that is not available as an individual part.

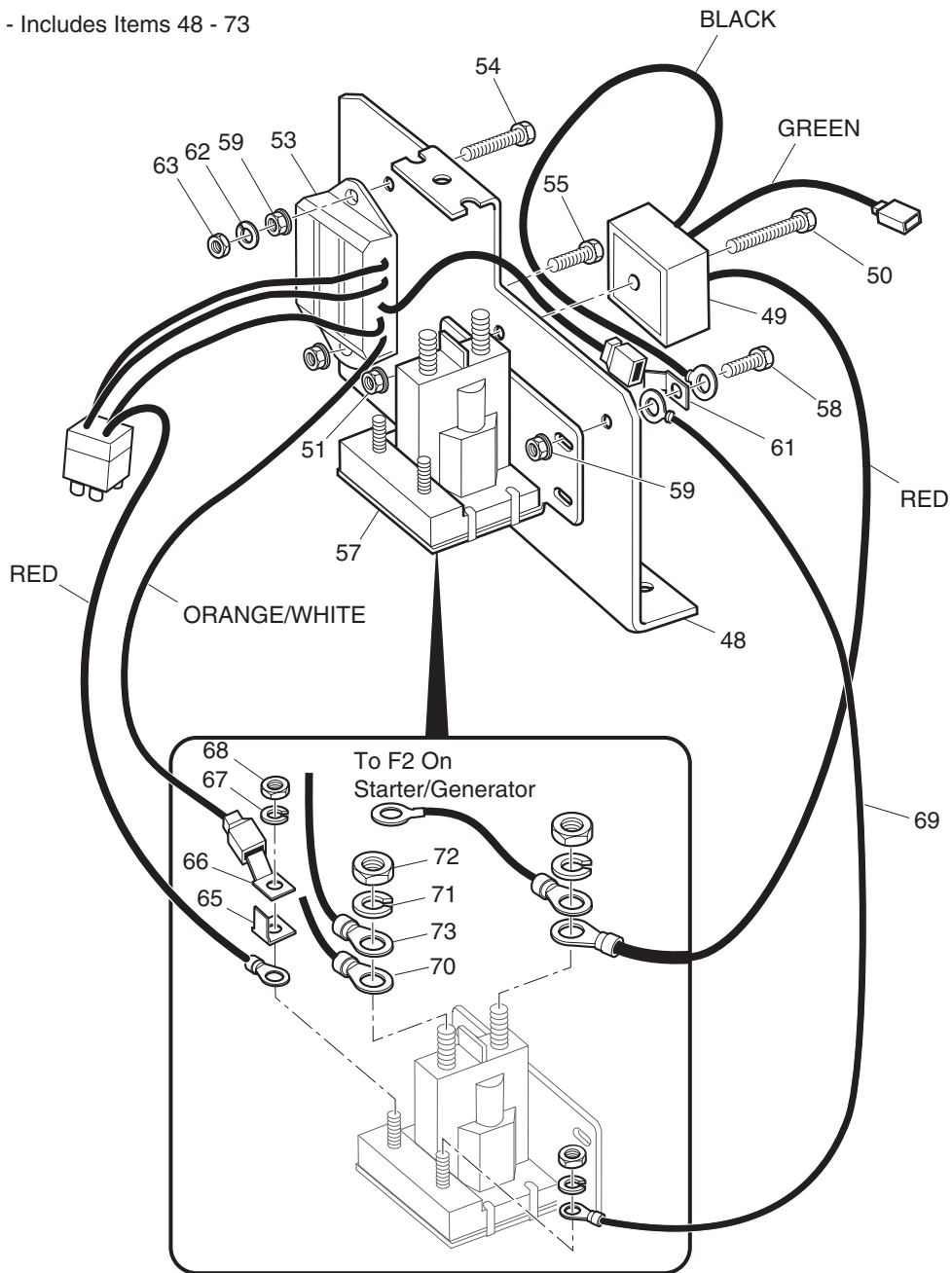
G** Indicates consult Customer Service Department for additional information.

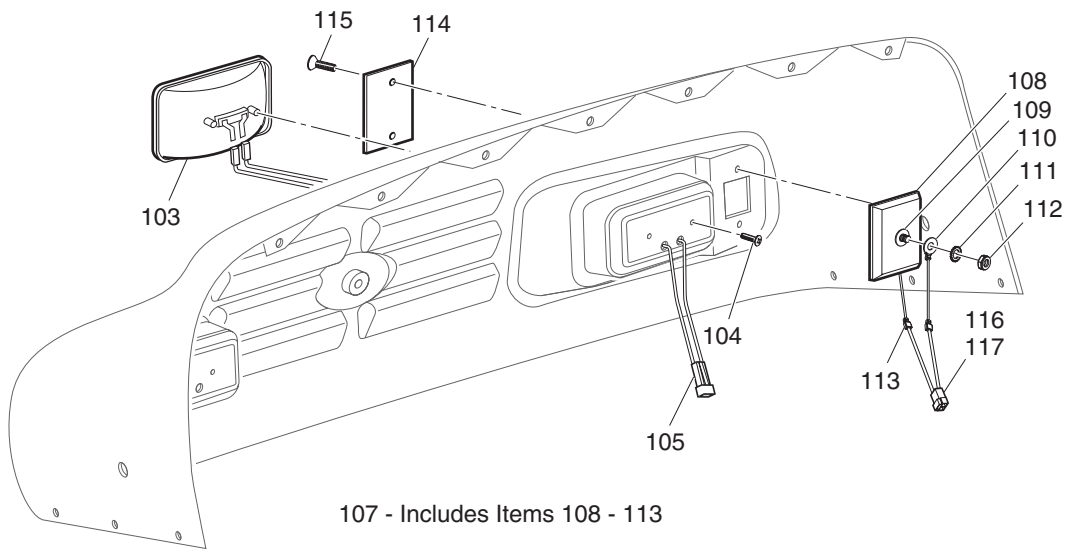
ITEM	PART NO.	1	2	3	4	5	DESCRIPTION	QTY.
31	23176-G1						CLEVIS PIN, 3/16" X 7/16"	2
32	10387-G8						COTTER PIN, 1/16" X 3/4" LG	2
33								
34	17618-G1						WIRE TIE	1
35	26830-G01						LOCK NUT, M8 X 1.25 MM	1
36								
37	71205-G01						DIRECTION SELECTOR HANDLE	1
38	00740-G4						SCREW, #10 - 32 X 1/2" LG (STAINLESS STEEL)	1
39								
40								
41	70594-G02						DIRECTION SELECTOR ASSY (INCL ITEMS 2 - 29, 31, 32, 42 (ST 350)	1
42	72341-G01						SHIFTER CONTROL CABLE (ST 350)	2

DIRECTION SELECTOR - DUAL CABLE

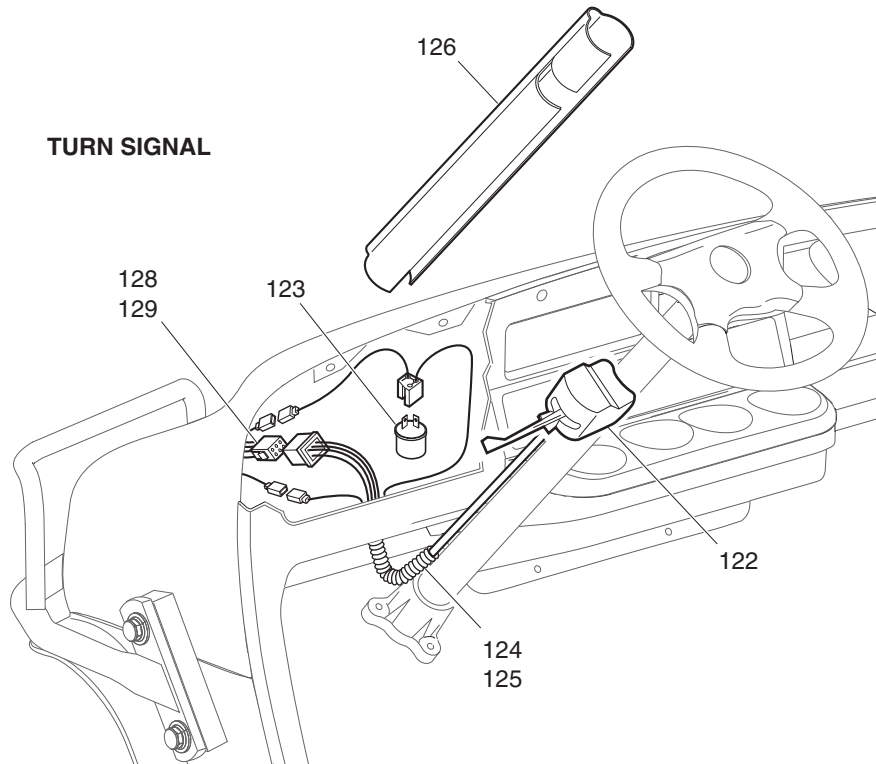
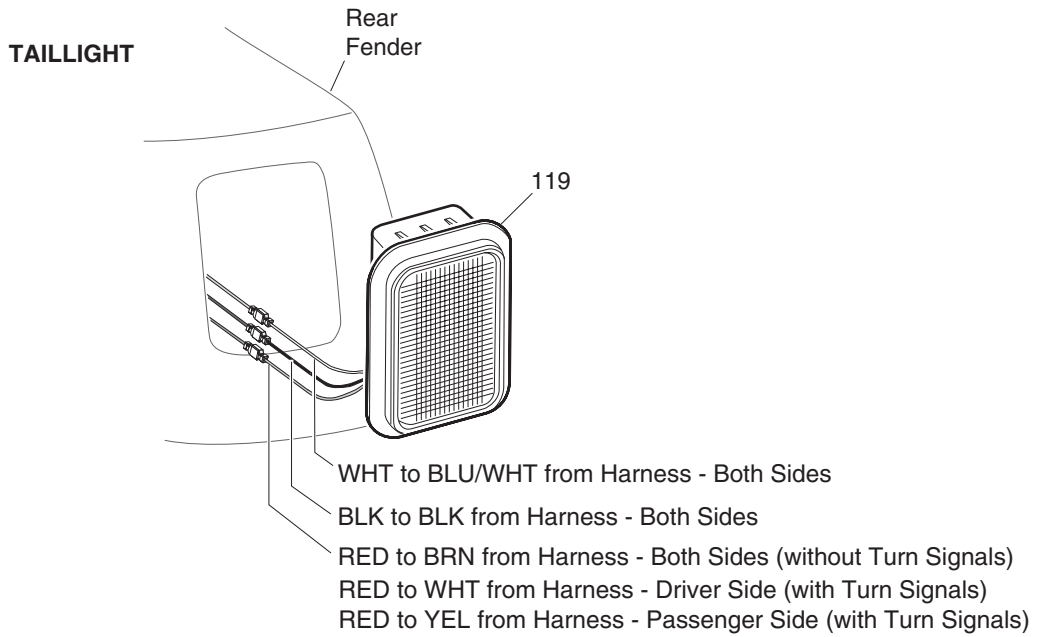
ELECTRICAL SYSTEM

47 - Includes Items 48 - 73



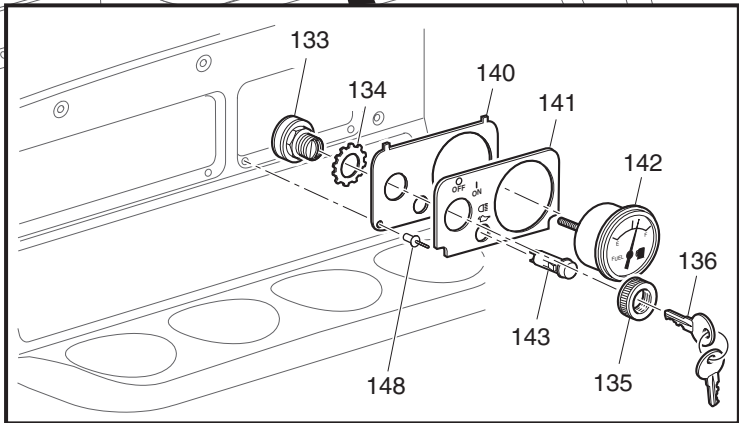
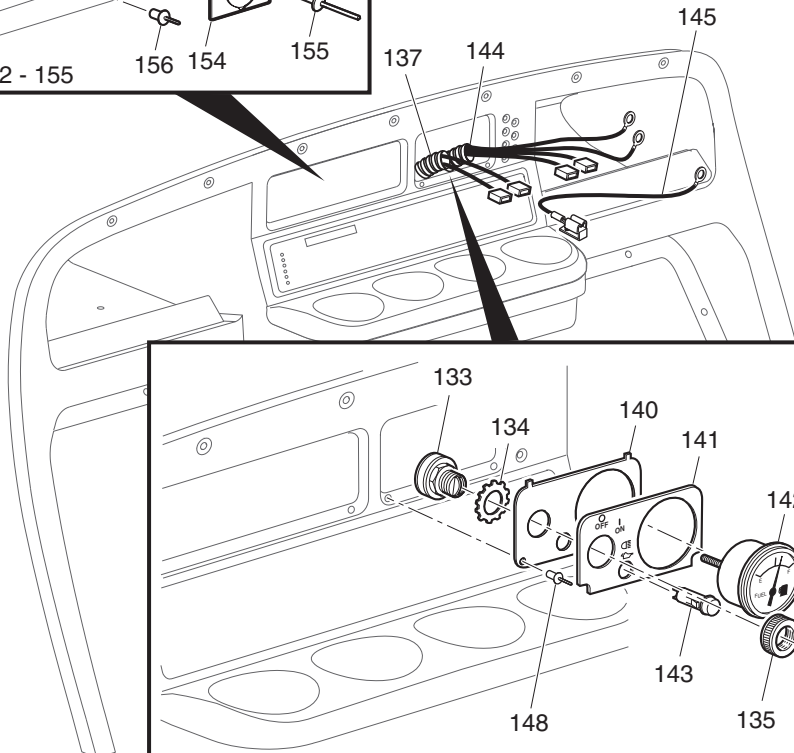
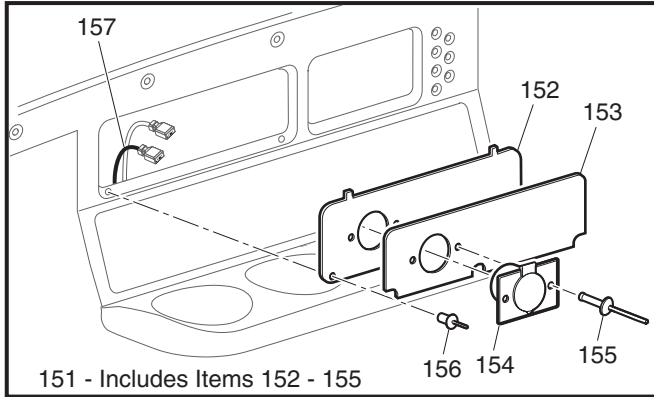


ELECTRICAL SYSTEM



Ref Ele 9-5

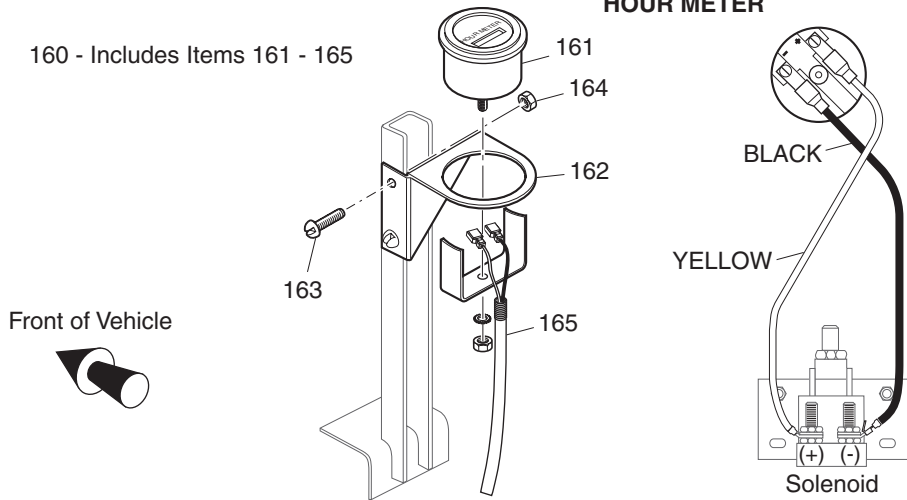
CONSOLE INSERT PLATE (WITH POWER OUTLET SHOWN)



KEY SWITCH, INDICATOR LIGHT(S), AND FUEL GAUGE

HOUR METER

160 - Includes Items 161 - 165



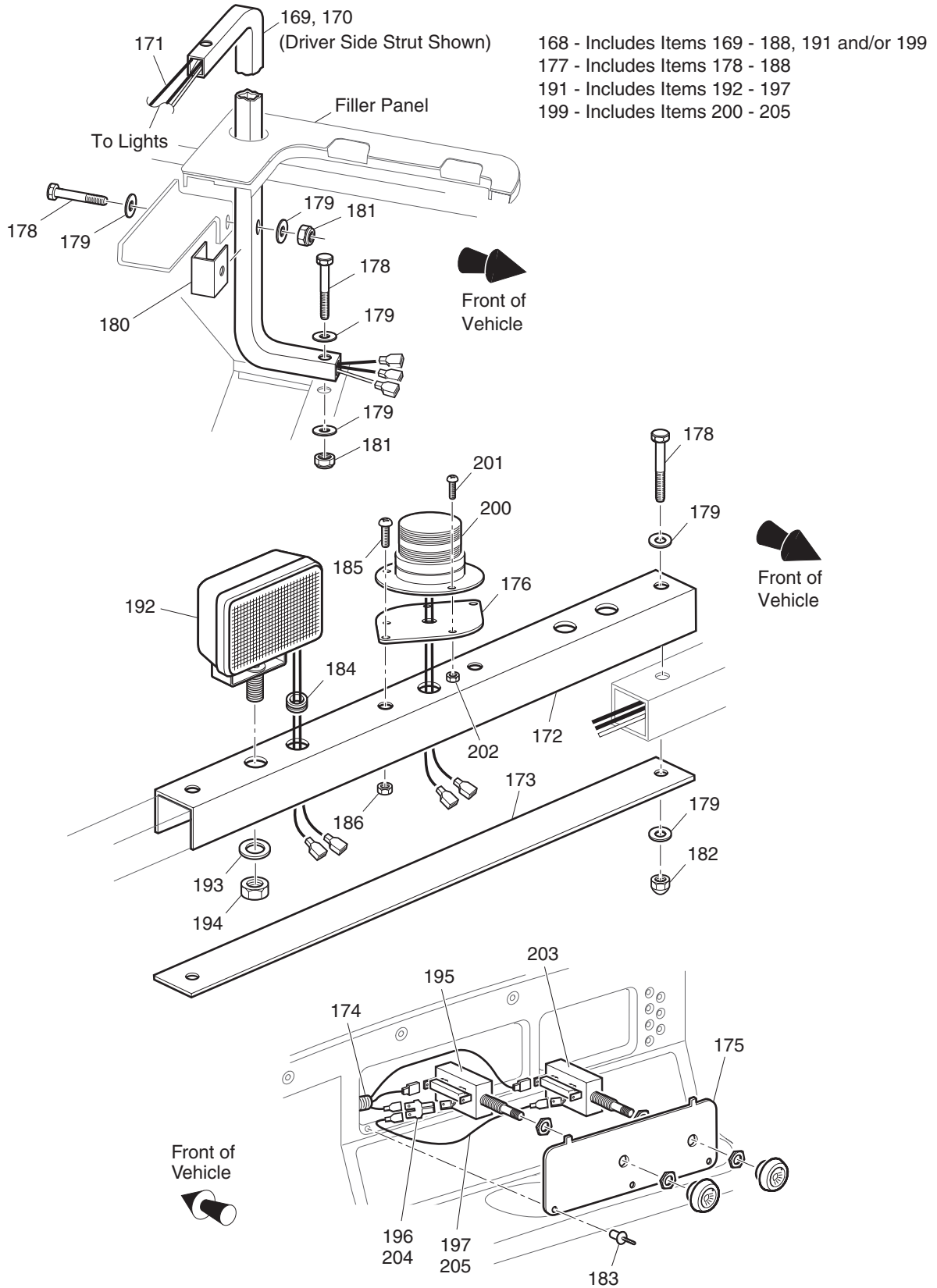
Front of Vehicle



Ref Ele 9-6

ELECTRICAL SYSTEM

WORK AND STROBE LIGHTS



Ref Ele 9-7

ELECTRICAL SYSTEM

THE USE OF NON U.L. PARTS WILL VOID ANY U.L. LISTING.

When ordering parts, please specify the model and serial number of the product.

* Indicates a component that is not available as an individual part.

G** Indicates consult Customer Service Department for additional information.

ITEM	PART NO.	1	2	3	4	5	DESCRIPTION	QTY.
1	26651-G02						IGNITION PICKUP ASSEMBLY (INCLUDES ITEM 2).....	1
2	26707-G01						BOLT AND WASHER ASSEMBLY, M5 X .8 X 10 MM LG	1
3								
4								
5	26652-G01						IGNITION COIL ASSEMBLY (INCLUDES ITEMS 6 - 10)	1
6	*						IGNITION COIL.....	1
7	*						SPACER	1
8	*						LOCK WASHER	1
9	*						NUT.....	1
10	*						SCREW.....	1
11	13632-G1						NUT, M6 X 1	2
12								
13	25887-G01						6 GA WIRE (BLACK 6", F1 - A2).....	1
14	25682-G1						TERMINAL COVER	3
15								
16								
17	24775-G*						BATTERY, 12V	1
18	00962-G1						BOLT, 5/16 - 18 X 1 1/4" LG	2
19	00993-G01						LOCK WASHER, 5/16" (SILICON BRONZE)	2
20	00994-G01						NUT, 5/16 - 18 (SILICON BRONZE)	2
21								
22	72101-G01						BATTERY HOLD DOWN.....	1
23	00438-G6						BOLT, 5/16 - 18 X 3/4" LG	1
24	00565-G8						LOCK WASHER, 5/16".....	1
25	01110-G03						WASHER, 5/16" (STAINLESS STEEL)	1
26								
27	28520-G01						GROUND CABLE (ST 350).....	1
28	00715-G2						BOLT, 5/16 - 18 X 4/5" LG	1
29	27044-G03						GROUND CABLE (ST SPORT)	1
30	25976-G19						14 GA WIRE (BLACK 6")	1

ELECTRICAL SYSTEM

THE USE OF NON U.L. PARTS WILL VOID ANY U.L. LISTING.

When ordering parts, please specify the model and serial number of the product.

* Indicates a component that is not available as an individual part.

G** Indicates consult Customer Service Department for additional information.

ITEM	PART NO.	1	2	3	4	5	DESCRIPTION	QTY.
31	00438-G6						BOLT, 5/16 - 18 X 3/4" LG	2
32	11027-G1						LOCK NUT, 5/16 - 18	2
33	26676-G01						BOLT, M6 X 1 X 23 MM LG	1
34								
35	25972-G58						6 GA WIRE (BLACK 26", F2 - SOL) (ST 350).....	1
36	25972-G85						6 GA WIRE (BLACK 23", F2 - SOL) (ST SPORT)	1
37	74519-G01						HARNESS (CONTROL) - SINGLE CABLE DIRECTION SELECTOR (ST 350) ..	1
38	70596-G01						HARNESS (CONTROL) - DUAL CABLE DIRECTION SELECTOR (ST 350)	1
39	70899-G01						HARNESS (CONTROL) - SINGLE CABLE DIRECTION SELECTOR (SPORT)	1
40	70595-G01						HARNESS (CONTROL) - DUAL CABLE DIRECTION SELECTOR) (SPORT) ..	1
41								
42	73049-G01						COVER.....	1
43	16469-G1						WASHER, 1/4"	1
44	00114-G6						SCREW, 1/4 - 14 X 3/4" LG.....	1
45								
46								
47	73059-G01						ELECTRICAL PLATE ASSEMBLY (INCLUDES ITEMS 48 - 73)	1
48	73057-G01						BRACKET	1
49	27739-G01						VOLTAGE REGULATOR	1
50	00415-G2						BOLT, 1/4 - 20 X 1 1/4" LG.....	1
51	11027-G2						LOCK NUT, 1/4 - 20	1
52								
53	27746-G01						IGNITOR	1
54	00661-G8						BOLT, 1/4 - 20 X 1" LG (STAINLESS STEEL)	1
55	00414-G5						BOLT, 1/4 - 20 X 5/8" LG.....	1
56								
57	27153-G01						SOLENOID	1
58	00414-G5						BOLT, 1/4 - 20 X 5/8" LG.....	1
59	11027-G2						LOCK NUT, 1/4 - 20	3
60								

ELECTRICAL SYSTEM

THE USE OF NON U.L. PARTS WILL VOID ANY U.L. LISTING.

When ordering parts, please specify the model and serial number of the product.

* Indicates a component that is not available as an individual part.

G** Indicates consult Customer Service Department for additional information.

ITEM	PART NO.	1	2	3	4	5	DESCRIPTION	QTY.
61	12914-G2						FASTON TAB, 1/4" X 1/4"	1
62	00664-G7						LOCK WASHER, 1/4" (STAINLESS STEEL)	1
63	00532-G1						NUT, 1/4 - 20.....	1
64								
65	73446-G01						FASTON TAB, 90°	1
66	12914-G1						FASTON TAB, #10 X 1/4"	1
67	00565-G5						LOCK WASHER, #10	2
68	00526-G4						NUT, #10 - 32.....	2
69	25978-G56						18 GA WIRE (BLACK 5 3/4").....	1
70	22585-G3						IN-LINE FUSE HOLDER	1
71	00565-G8						LOCK WASHER, 5/16"	2
72	00544-G4						JAM NUT, 5/16 - 24.....	2
73	25972-G33						6 GA WIRE (BLACK 24", B+ - SOL).....	1
74								
75	25974-G22						10 GA WIRE (WHITE 34") (ST 350).....	1
76	35211-G01						FUSE BLOCK (ST 350).....	1
77	12914-G1						FASTON TAB	1
78	00567-G5						LOCK WASHER, #10	1
79	00526-G4						NUT, #10 - 32	1
80	35212-G01						FUSE, 15 AMP	1
81	00379-G2						SCREW, #10 - 24 X 1 1/4" LG.....	2
82	00559-G5						WASHER, #10.....	2
83	14390-G10						LOCK NUT, #10 - 24	2
84								
85	22674-G1						FUSE BLOCK (ST SPORT)	1
86	01041-G01						RIVET, 1/8" X 13/16" LG	2
87	18392-G1						15 AMP FUSE	3
88								
89	32860-G1						HORN.....	1
90	00414-G5						BOLT, 1/4 - 20 x 5/8" LG.....	1

ELECTRICAL SYSTEM

THE USE OF NON U.L. PARTS WILL VOID ANY U.L. LISTING.

When ordering parts, please specify the model and serial number of the product.

* Indicates a component that is not available as an individual part.

G** Indicates consult Customer Service Department for additional information.

ITEM	PART NO.	1	2	3	4	5	DESCRIPTION	QTY.
91	01110-G01						WASHER, 1/4" (STAINLESS STEEL)	1
92	00654-G2						LOCK NUT, 1/4 - 20 (STAINLESS STEEL)	1
93								
94	17318-G1						HORN SWITCH.....	1
95	17318-G2						HORN SWITCH CAP AND NUT	1
96	27068-G01						HORN SWITCH BOOT	1
97	19233-G1						HORN SWITCH LABEL	1
98	71055-G01						RIVET, 3/16" X 1" LG (STAINLESS STEEL)	2
99								
100	73214-G01						HORN HARNESS (ST 350)	1
101	25977-G40						16 GA WIRE (BLACK 17")	1
102								
103	20209-G3						HEADLIGHT (INCLUDES ITEM 104).....	2
104	00906-G6						SCREW, #10 - 16 X 1" LG	2
105	74337-G01						HEADLIGHT JUMPER	2
106								
107	20570-G3						TURN SIGNAL LIGHT (INCLUDES ITEMS 108 - 113)	2
108	20574-G3						TURN SIGNAL LIGHT	1
109	00660-G7						WASHER, 1/4" (STAINLESS STEEL).....	1
110	20606-G1						WIRE ASSEMBLY	1
111	00567-G7						LOCK WASHER, 1/4"	1
112	00532-G1						NUT, 1/4 - 20.....	1
113	18995-G1						PUSH-ON MALE TERMINAL	1
114	20574-G5						LENS, AMBER	1
115	00118-G5						SCREW, #6 - 18 X 5/8" LG.....	2
116	74056-G01						TURN SIGNAL JUMPER, RED/BLACK (PASSENGER SIDE)	1
117	74056-G02						TURN SIGNAL JUMPER, GREEN/BLACK (DRIVER SIDE)	1
118								
119	32739-G2						TAILLIGHT ASSEMBLY (COMPLETE)	2
120								

ELECTRICAL SYSTEM

THE USE OF NON U.L. PARTS WILL VOID ANY U.L. LISTING.

When ordering parts, please specify the model and serial number of the product.

* Indicates a component that is not available as an individual part.

G** Indicates consult Customer Service Department for additional information.

ITEM	PART NO.	1	2	3	4	5	DESCRIPTION	QTY.
121								
122	17867-G1						TURN SIGNAL (WITH MOUNTING HARDWARE) (INCLUDES ITEM 123)	1
123	21640-G1						TURN SIGNAL FLASHER	1
124	32307-G3						FLEX LOOM, 3/8" X 8" LG	1
125	17618-G1						WIRE TIE	2
126	20965-G3						STEERING COLUMN COVER.....	1
127								
128	72228-G01						WIRE HARNESS (ACCESSORY) (ST SPORT)	1
129	74042-G01						HARNESS (LIGHTS) (ST 350).....	1
130	35212-G01						FUSE, 15 AMP	1
131								
132								
133	33639-G**						IGNITION SWITCH (WITH LIGHTS).....	1
134	00568-G6						LOCK WASHER, 3/4".....	1
135	17137-G1						FACE NUT, 3/4 - 20.....	1
136	17063-G1						IGNITION KEY (SET).....	1
137	73041-G01						WIRE HARNESS (KEY SWITCH).....	1
138								
139								
140	73030-G04						PLATE (FUEL GAUGE AND OIL LIGHT).....	1
141	71131-G01						LABEL (OIL LIGHT AND FUEL GAUGE WITH HEADLIGHTS)	1
142	21553-G1						FUEL GAUGE	1
143	23474-G1						INDICATOR LIGHT	1
144	74311-G01						HARNESS (OIL LIGHT/FUEL GAUGE) (ST 350)	1
145	25978-G122						18 GA WIRE (RED 6").....	1
146								
147								
148	33623-G02						DRIVE RIVET, 3/16" X 3/8" LG	2
149								
150								

ELECTRICAL SYSTEM

THE USE OF NON U.L. PARTS WILL VOID ANY U.L. LISTING.

When ordering parts, please specify the model and serial number of the product.

* Indicates a component that is not available as an individual part.

G** Indicates consult Customer Service Department for additional information.

ITEM	PART NO.	1 2 3 4 5	DESCRIPTION	QTY.
151	74444-G**		CONSOLE INSERT ASSEMBLY (WITH OR W/O POWER OUTLET) (INCLUDES ITEMS 152 - 155).....	1
152	71077-G**		CONSOLE INSERT PLATE	1
153	35966-G**		DECAL (CONSOLE INSERT PLATE).....	1
154	71078-G01		POWER OUTLET (12 VOLT).....	1
155	14601-G10		RIVET, 3/16" X 7/16" LG	2
156	33623-G01		DRIVE RIVET, 5/32" X 5/16" LG	3
157	71081-G01		WIRE HARNESS (POWER OUTLET)	1
158				
159				
160	75114-G02		HOUR METER KIT (INCLUDES ITEMS 161 - 165).....	1
161	21573-G1		HOUR METER ASSEMBLY.....	1
162	74019-G01		HOUR METER BRACKET.....	1
163	00150-G4		SCREW, #10 - 24 X 1/2" LG	2
164	11098-G7		LOCK NUT, #10 - 24.....	2
165	75117-G01		WIRE HARNESS (HOUR METER).....	1
166				
167				
168	71323-G**		LIGHT BAR (INCLUDES ITEMS 169 - 188, 191 AND/OR 199) (ST 350).....	1
169	75838-G01		STRUT (PASSENGER SIDE)	1
170	75838-G02		STRUT (DRIVER SIDE).....	1
171	75346-G01		WIRE HARNESS (WORK LIGHT)	1
172	71294-G01		BRACE.....	1
173	71293-G01		COVER PLATE	1
174	75347-G01		SWITCH HARNESS	1
175	71077-G**		CONSOLE INSERT PLATE	1
176	33201-G02		STROBE LIGHT MOUNT (USED ONLY WITH STROBE LIGHT).....	1
177	75365-G01		HARDWARE KIT (INCLUDES ITEMS 178 - 188).....	1
178	00685-G7		BOLT, 5/16 - 18 X 1 3/4" LG (STAINLESS STEEL).....	6
179	00660-G8		WASHER, 5/16" (STAINLESS STEEL)	12

ELECTRICAL SYSTEM

THE USE OF NON U.L. PARTS WILL VOID ANY U.L. LISTING.

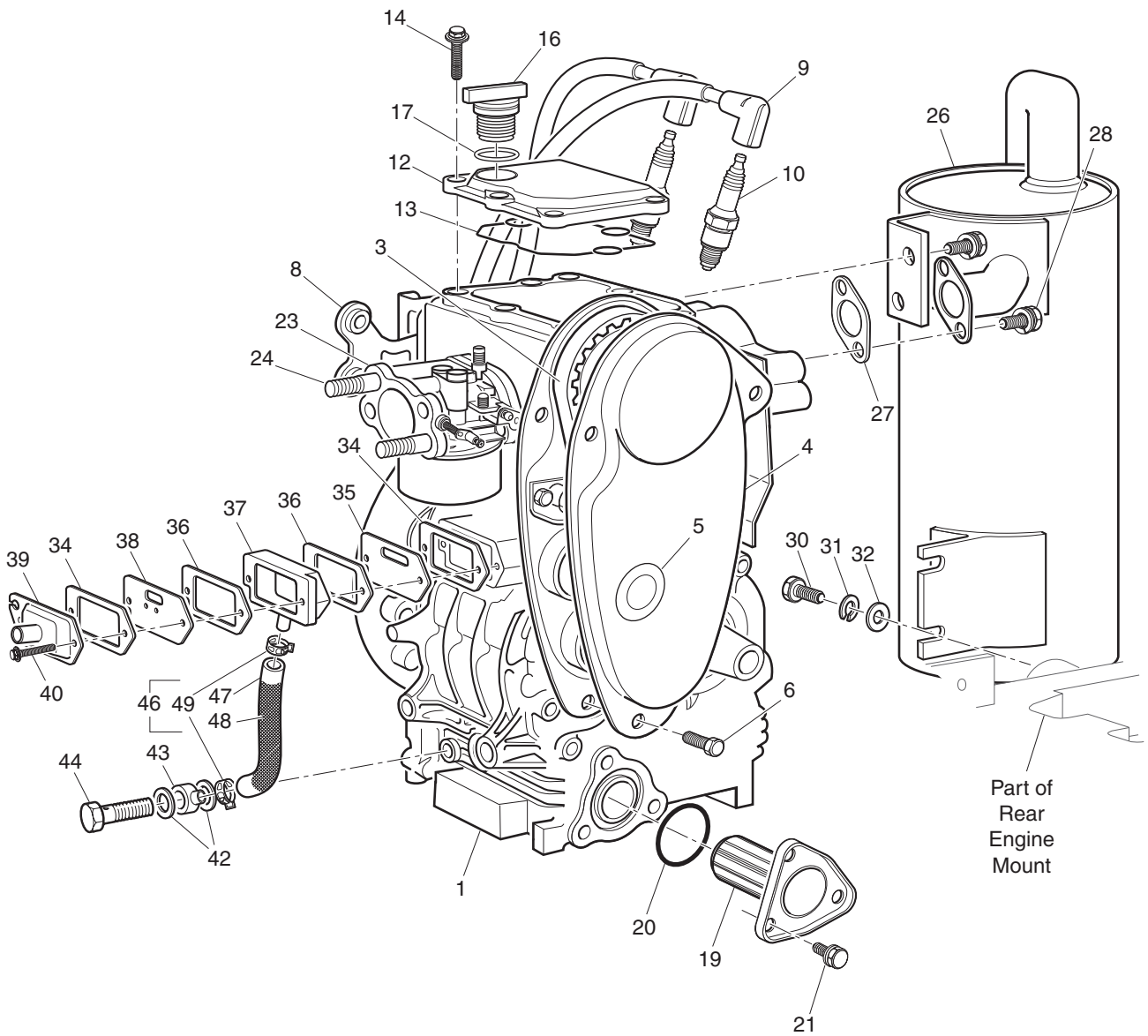
When ordering parts, please specify the model and serial number of the product.

* Indicates a component that is not available as an individual part.

G** Indicates consult Customer Service Department for additional information.

ITEM	PART NO.	1	2	3	4	5	DESCRIPTION	QTY.
180	74537-G01						BRACKET, REAR STRUT SUPPORT.....	2
181	01109-G01						LOCK NUT, 5/16 - 18 (STAINLESS STEEL)	4
182	00918-G3						ACORN NUT, 5/16 - 18	2
183	33623-G02						DRIVE RIVET, 3/16" X 7/16" LG.....	3
184	20367-G1						GROMMET.....	2
185	16705-G3						SCREW, 1/4 - 20 X 3/4" LG (STAINLESS STEEL)	2
186	14390-G4						LOCK NUT, 1/4 - 20	2
187	17314-G1						FLEX LOOM, 3/8" X 24" LG	1
188	17618-G1						WIRE TIE	3
189								
190								
191	20383-G2						WORK LIGHT KIT (INCLUDES ITEMS 192 - 197).....	1
192	20209-G2						WORK LIGHT (RECTANGULAR)	2
193	00566-G3						LOCK WASHER, 1/2"	2
194	00533-G1						NUT, 1/2 - 13	2
195	17317-G1						LIGHT SWITCH.....	1
196	17902-G1						TAB ADAPTER.....	1
197	20053-G1						16 GA WIRE (RED 5 3/8").....	1
198								
199	20385-G2						STROBE LIGHT KIT (INCLUDES ITEMS 200 - 205)	1
200	20394-G1						STROBE LIGHT	1
201	00379-G4						SCREW, #10 - 24 x 1/2" LG	3
202	11098-G7						LOCK NUT, #10 - 24	3
203	17317-G1						LIGHT SWITCH.....	1
204	17902-G1						TAB ADAPTER.....	1
205	20053-G1						16 GA WIRE (RED 5 3/8").....	1

ENGINE AND MUFFLER



Ref Emf 9

ENGINE AND MUFFLER

THE USE OF NON U.L. PARTS WILL VOID ANY U.L. LISTING.

When ordering parts, please specify the model and serial number of the product.

* Indicates a component that is not available as an individual part.

G** Indicates consult Customer Service Department for additional information.

ITEM	PART NO.	1	2	3	4	5	DESCRIPTION	QTY.
1	72650-G02						ENGINE, 350 CC	1
2								
3	26626-G01						TIMING BELT	1
4	26630-G01						TIMING BELT COVER	1
5	26631-G01						TIMING BELT COVER GROMMET.....	1
6	26678-G01						BOLT, M6 X 1 X 12 MM LG	3
7								
8	26657-G01						IGNITION COIL BRACKET	1
9	26733-G01						SPARK PLUG WIRE SET (2 WITH BOOTS)	1
10	25523-G4						SPARK PLUG (NGK BPR5ES)	2
11								
12	26600-G01						VALVE COVER.....	1
13	26719-G01						VALVE COVER GASKET	1
14	26676-G01						FLANGED BOLT, M6 X 1 X 23 MM LG	6
15								
16	26601-G01						OIL FILLER CAP	1
17	26720-G01						OIL FILLER 'O' RING	1
18								
19	26591-G01						OIL FILTER	1
20	26710-G01						OIL FILTER 'O' RING	1
21	26680-G01						BOLT AND WASHER, M6 X 1 X 12 MM LG	3
22								
23	XXXXX-XX						CARBURETOR (SEE CARBURETOR SECTION).....	X
24	26667-G01						STUD.....	2
25								
26	72019-G01						MUFFLER	1
27	25531-G1						EXHAUST GASKET	1
28	25532-G1						BOLT AND WASHER, M8 X 1.25 X 18 MM LG	4
29								
30	00438-G8						BOLT, 5/16 - 18 X 1" LG	1

ENGINE AND MUFFLER

THE USE OF NON U.L. PARTS WILL VOID ANY U.L. LISTING.

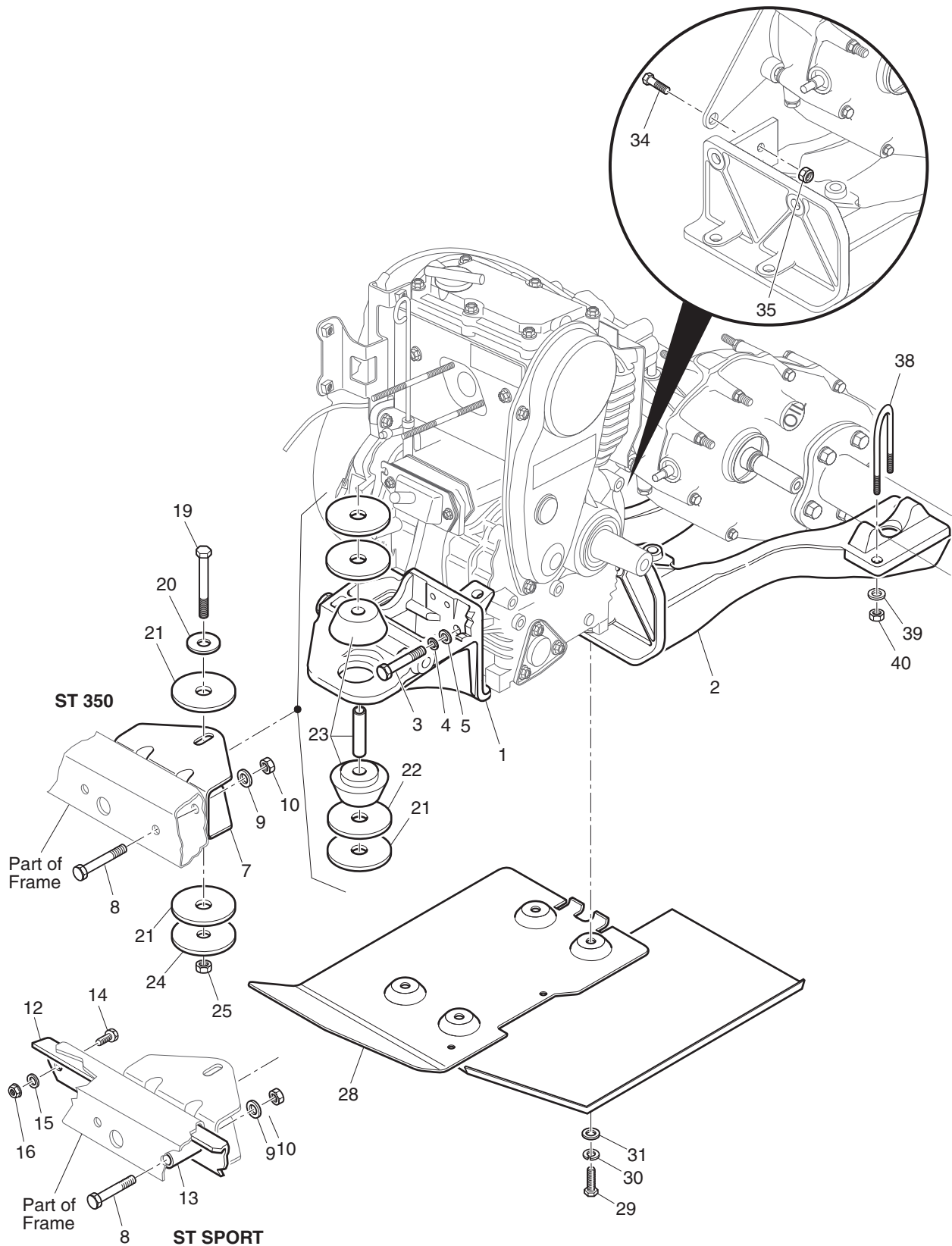
When ordering parts, please specify the model and serial number of the product.

* Indicates a component that is not available as an individual part.

G** Indicates consult Customer Service Department for additional information.

ITEM	PART NO.	1 2 3 4 5	DESCRIPTION	QTY.
31	00565-G8		LOCK WASHER, 5/16"	1
32	00642-G8		WASHER, 5/16"	1
33				
34	72555-G01		BREATHER COVER GASKET (THICK).....	2
35	72657-G01		INNER BREATHER PLATE (LONG SLOT).....	1
36	72554-G01		BREATHER COVER GASKET (THIN).....	2
37	72658-G01		BREATHER BOX.....	1
38	72676-G01		OUTER BREATHER PLATE (SHORT SLOT)	1
39	72659-G01		BREATHER COVER	1
40	72680-G01		FLANGED BOLT, M6 X 1 X 70 MM LG	2
41				
42	72656-G01		ALUMINUM GASKET.....	2
43	72655-G01		BANJO UNION.....	1
44	72654-G01		BANJO BOLT	1
45				
46	72653-G01		RUBBER RETURN HOSE (INCLUDES ITEMS 47 - 49)	1
47	72677-G01		RUBBER HOSE, 6 MM ID X 12 MM OD X 145 MM LG	1
48	72678-G01		MESH PROTECTIVE COVER.....	1
49	72679-G01		HOSE CLAMP	2

ENGINE MOUNTING



Ref Emt 9

ENGINE MOUNTING

THE USE OF NON U.L. PARTS WILL VOID ANY U.L. LISTING.

When ordering parts, please specify the model and serial number of the product.

* Indicates a component that is not available as an individual part.

G** Indicates consult Customer Service Department for additional information.

ITEM	PART NO.	1	2	3	4	5	DESCRIPTION	QTY.
1	72010-G01						FRONT ENGINE MOUNT	1
2	72011-G01						REAR ENGINE MOUNT	1
3	00463-G4						BOLT, 7/16 - 14 X 1 1/2" LG	4
4	00566-G2						LOCK WASHER, 7/16"	4
5	00922-G3						WASHER, 7/16"	4
6								
7	72044-G01						MOUNT BRACKET (ST 350)	1
8	00428-G6						BOLT, 3/8 - 16 X 2 3/4" LG	2
9	00643-G1						WASHER, 3/8"	2
10	11098-G5						LOCK NUT, 3/8 - 16	2
11								
12	70269-G01						CROSSMEMBER BRACE (ST SPORT)	1
13	72016-G01						SPACER	2
14	00438-G7						BOLT, 5/16 - 18 X 7/8"	2
15	01110-G03						WASHER, 5/16" (STAINLESS STEEL)	2
16	01109-G01						LOCK NUT, 5/16 - 18 (STAINLESS STEEL)	2
17								
18								
19	00430-G4						BOLT, 3/8 - 16 X 4 1/2" LG	1
20	15121-G1						WASHER, 1 1/4" X 3/8"	1
21	72050-G01						PLASTIC WASHER, 5/8" X 2 1/4"	4
22	72051-G01						WASHER, 2 1/2" X 5/8"	2
23	72015-G01						ISOLATION MOUNT	1
24	72051-G02						WASHER, 3/8"	1
25	11098-G5						LOCK NUT, 3/8 - 16	1
26								
27								
28	72719-G01						ENGINE GUARD	1
29	00463-G4						BOLT, 7/16 - 14 X 1 1/2" LG	4
30	00566-G2						LOCK WASHER, 7/16"	4

ENGINE MOUNTING

THE USE OF NON U.L. PARTS WILL VOID ANY U.L. LISTING.

When ordering parts, please specify the model and serial number of the product.

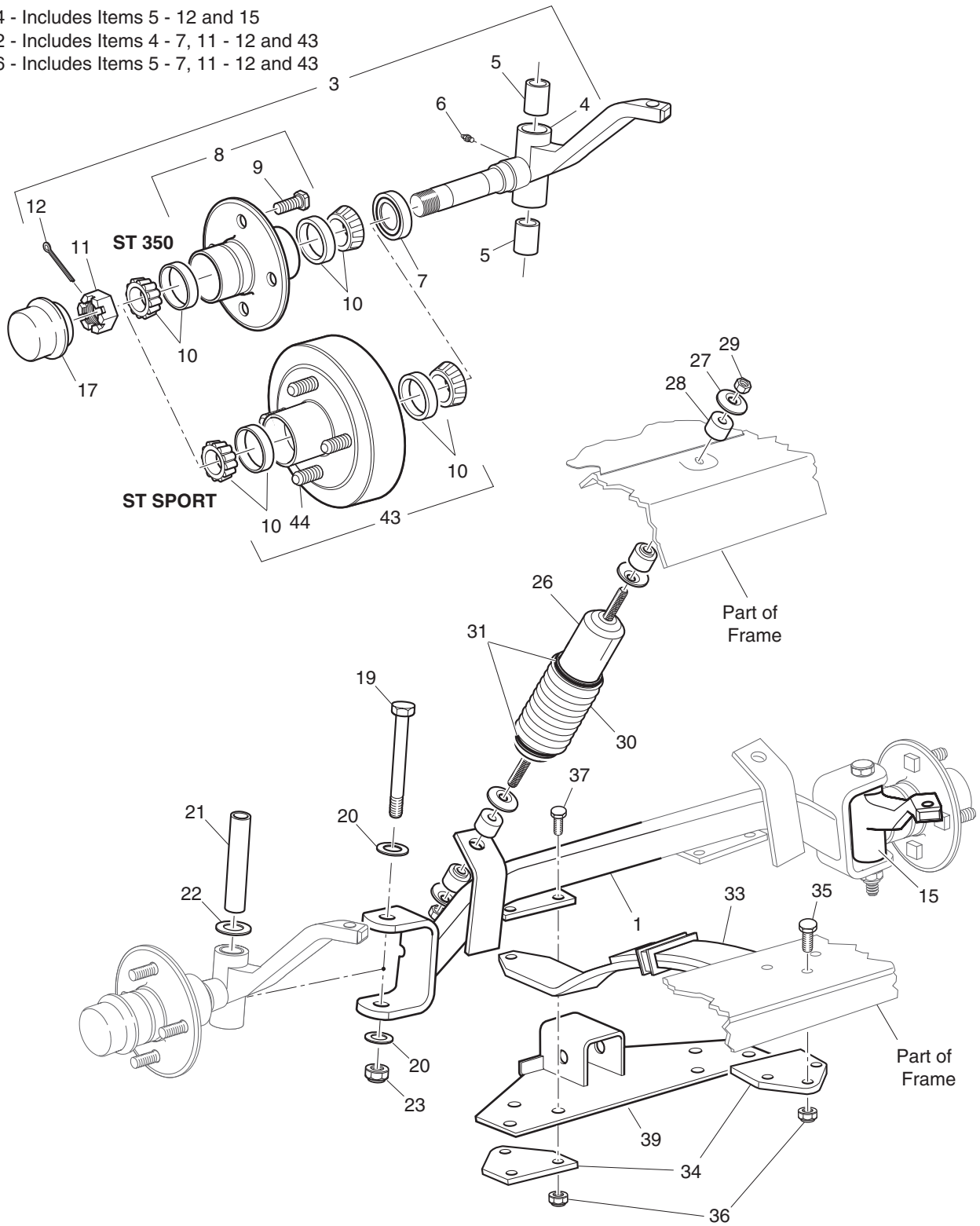
* Indicates a component that is not available as an individual part.

G** Indicates consult Customer Service Department for additional information.

ITEM	PART NO.	1 2 3 4 5	DESCRIPTION	QTY.
31	00922-G3		WASHER, 7/16"	4
32				
33				
34	00439-G1		BOLT, 5/16 - 18 X 1 1/8" LG	1
35	01109-G01		LOCK NUT, 5/16 - 18 (STAINLESS STEEL)	1
36				
37				
38	72035-G01		'U' BOLT, 7/16 - 14 X 3 7/16" X 3 9/16" LG	2
39	00922-G3		WASHER, 7/16"	4
40	00734-G1		LOCK NUT, 7/16 - 14	4

FRONT SUSPENSION

- 14 - Includes Items 5 - 12 and 15
- 42 - Includes Items 4 - 7, 11 - 12 and 43
- 46 - Includes Items 5 - 7, 11 - 12 and 43



Ref Fsp 9

FRONT SUSPENSION

THE USE OF NON U.L. PARTS WILL VOID ANY U.L. LISTING.

When ordering parts, please specify the model and serial number of the product.

* Indicates a component that is not available as an individual part.

G** Indicates consult Customer Service Department for additional information.

ITEM	PART NO.	1 2 3 4 5	DESCRIPTION	QTY.
1	70515-G01		FRONT AXLE	1
2				
3	70535-G03		SPINDLE ASSEMBLY (DRIVER SIDE) (INCLUDES ITEMS 4 - 12).....	1
4	*		SPINDLE (DRIVER SIDE)	1
5	16623-G1		BEARING.....	2
6	10389-G3		GREASE FITTING, STRAIGHT	1
7	25146-G1		GREASE SEAL.....	1
8	35886-G01		WHEEL HUB ASSEMBLY WITH RACES (INCLUDES ITEMS 9)	1
9	19862-G1		LUG BOLT, 1/2 - 20 X 1 3/16" LG.....	4
10	50892-G1		BEARING AND RACE ASSEMBLY (COMPLETE).....	2
11	12093-G1		SLOTTED NUT, 1 - 14	1
12	00798-G8		COTTER PIN, 5/32" X 1 3/4" LG	1
13				
14	70534-G03		SPINDLE ASSEMBLY (PASSENGER SIDE) (INCL ITEMS 5 - 12, 15)	1
15	*		SPINDLE (PASSENGER SIDE).....	1
16				
17	12091-G2		SPINDLE CAP.....	2
18				
19	01040-G01		BOLT, 1/2 - 13 X 5" LG	2
20	00571-G5		WASHER, 1/2"	4
21	70328-G01		KING PIN TUBE	2
22	16982-G1		THRUST WASHER, 7/8"	2
23	14390-G6		LOCK NUT, 1/2 - 13	2
24				
25				
26	70630-G01		SHOCK ABSORBER.....	2
27	10435-G1		SHOCK ABSORBER WASHER.....	8
28	10194-G1		RUBBER BUSHING	8
29	00532-G6		NUT, 3/8 - 24	4
30	70509-G01		SHOCK ABSORBER BOOT	2

FRONT SUSPENSION

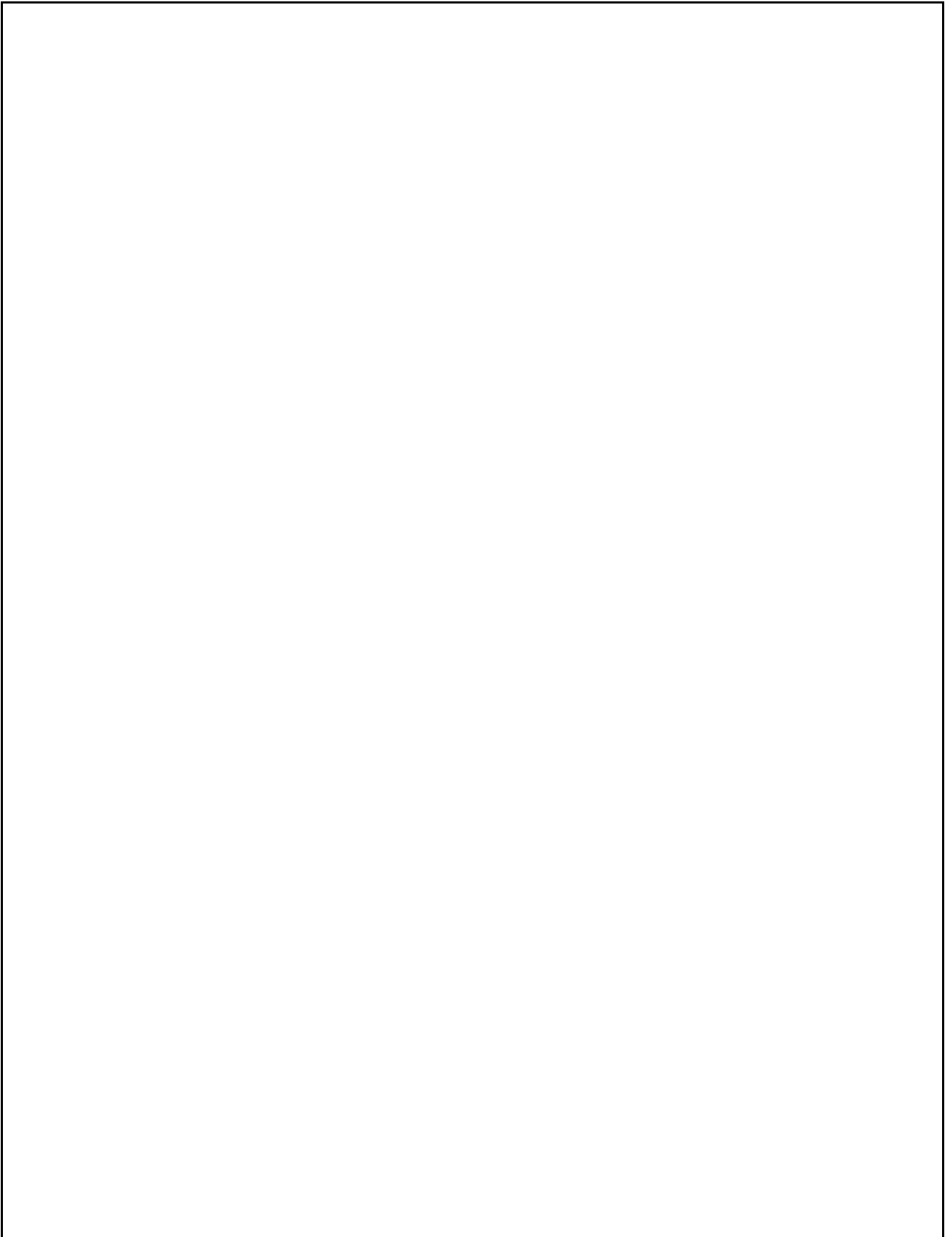
THE USE OF NON U.L. PARTS WILL VOID ANY U.L. LISTING.

When ordering parts, please specify the model and serial number of the product.

* Indicates a component that is not available as an individual part.

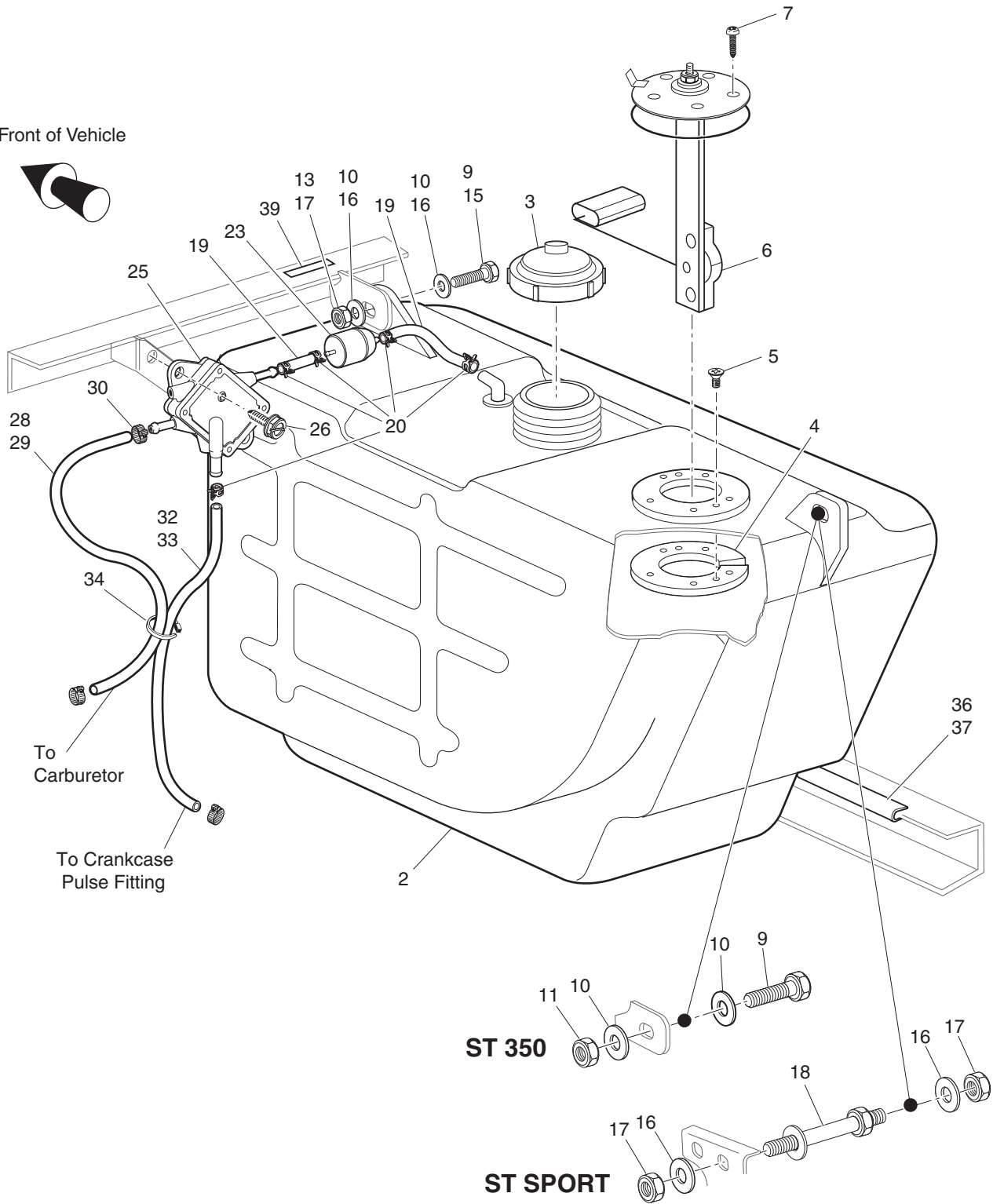
G** Indicates consult Customer Service Department for additional information.

ITEM	PART NO.	1 2 3 4 5	DESCRIPTION	QTY.
31	31539-G1		WIRE TIE	4
32				
33	70422-G01		LEAF SPRING (HEAVY DUTY).....	2
34	70163-G02		SPRING PLATE	4
35	00463-G6		BOLT, 7/16 - 14 X 1 3/4" LG	6
36	00734-G1		LOCK NUT, 7/16 - 14	12
37	00463-G6		BOLT, 7/16 - 14 X 1 3/4" LG	6
38				
39	74255-G01		WINCH RECEIVER.....	1
40				
41				
42	70535-G02		SPINDLE ASSEMBLY (DRIVER SIDE) (INCLUDES ITEMS 4 - 7, 11 - 12, 43) (ST SPORT)	1
43	72590-G01		WHEEL HUB ASSEMBLY (INCLUDES ITEMS 10, 44) (ST SPORT).....	1
44	*		SET SCREW, 1/2 - 20 X 2" LG.....	4
45				
46	70534-G02		SPINDLE ASSEMBLY (PASSENGER SIDE) (INCLUDES ITEMS 5 - 7, 11 - 12, 15, 43) (ST SPORT)	1



FUEL SYSTEM

Front of Vehicle



Ref Fsy 9

FUEL SYSTEM

THE USE OF NON U.L. PARTS WILL VOID ANY U.L. LISTING.

When ordering parts, please specify the model and serial number of the product.

* Indicates a component that is not available as an individual part.

G** Indicates consult Customer Service Department for additional information.

ITEM	PART NO.	1 2 3 4 5	DESCRIPTION	QTY.
1	72231-G01		FUEL TANK ASSEMBLY (INCLUDES ITEMS 2 - 7)	1
2	72092-G02		FUEL TANK (FOR ELECTRIC GAUGE / WARNING LIGHT)	1
3	72282-G01		FUEL TANK CAP	1
4	72229-G01		FUEL LEVEL SENDER ADAPTER.....	1
5	72230-G01		SCREW, #6 - 32 X 1/2" LG	2
6	20048-G2		FUEL LEVEL SENDER (ELECTRIC FUEL GAUGE)	1
7	72232-G01		SCREW, #10 - 32 X 3/4"	5
8				
9	00439-G1		BOLT, 5/16 - 18 X 1 1/8" LG (ST 350)	2
10	00559-G8		WASHER, 5/16" (ST 350)	4
11	01109-G01		LOCK NUT, 5/16 - 18 (STAINLESS STEEL) (ST 350)	2
12				
13				
14				
15	00438-G8		BOLT, 5/16 - 18 X 1" LG (ST SPORT).....	1
16	00559-G8		WASHER, 5/16" (ST SPORT)	4
17	01109-G01		LOCK NUT, 5/16 - 18 (STAINLESS STEEL) (ST SPORT).....	3
18	70483-G01		SPACER (ST SPORT).....	1
19				
20	17470-G1		FUEL SYSTEM TUBE, 1/4" ID X 1/2" OD (BULK), 3 1/4" LG	2
21	18292-G1		CLAMP	5
22				
23	72084-G01		FUEL FILTER	1
24				
25	72021-G01		FUEL PUMP.....	1
26	00114-G6		SCREW, 1/4 - 14 X 3/4" LG.....	2
27				
28	17470-G1		FUEL SYSTEM TUBE, 1/4" ID X 1/2" OD (BULK), 26" LG (ST 350)	1
29	17470-G1		FUEL SYSTEM TUBE, 1/4" ID X 1/2" OD (BULK), 16" LG (ST SPORT).....	1
30	11391-G4		HOSE CLAMP, 1/4"	3

FUEL SYSTEM

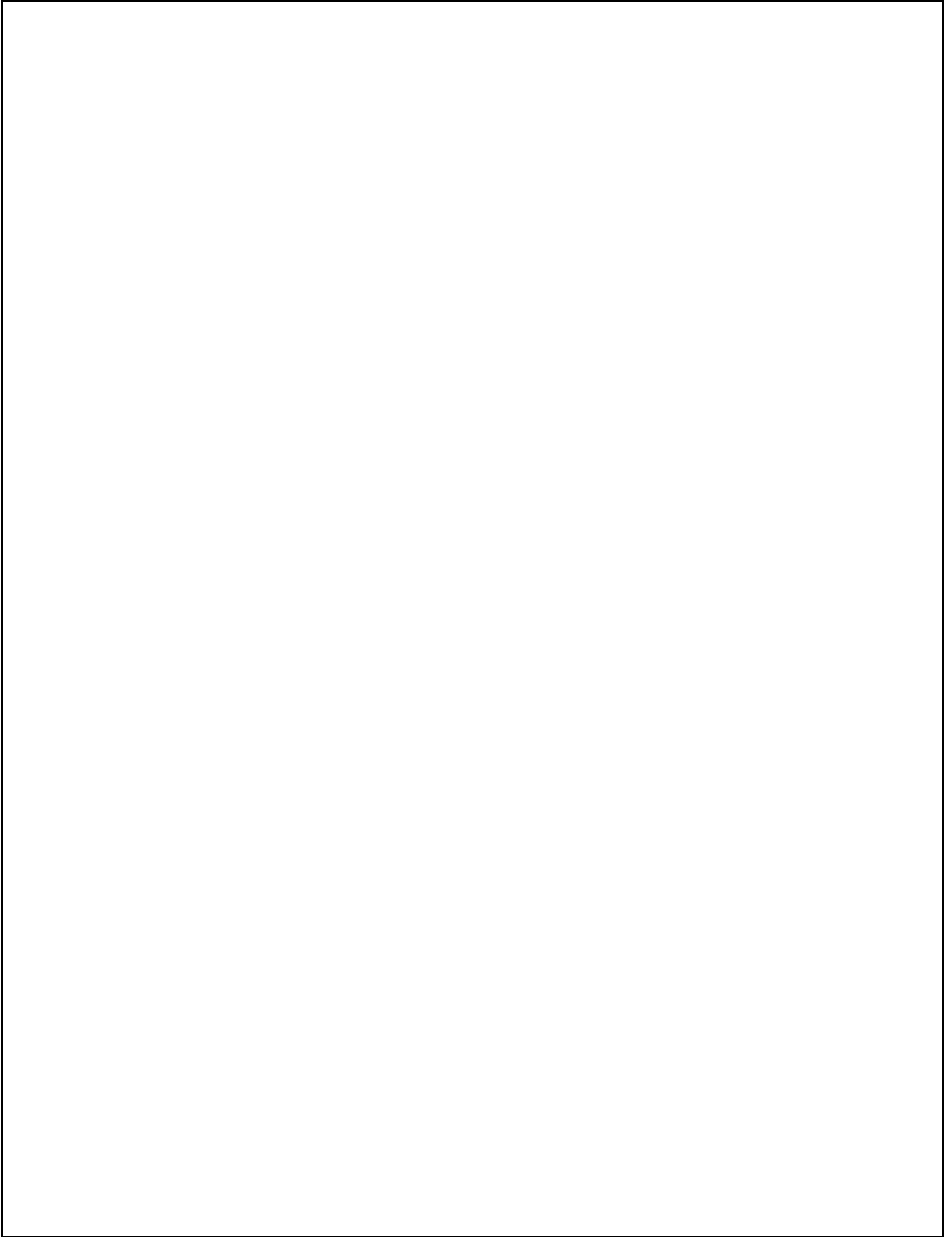
THE USE OF NON U.L. PARTS WILL VOID ANY U.L. LISTING.

When ordering parts, please specify the model and serial number of the product.

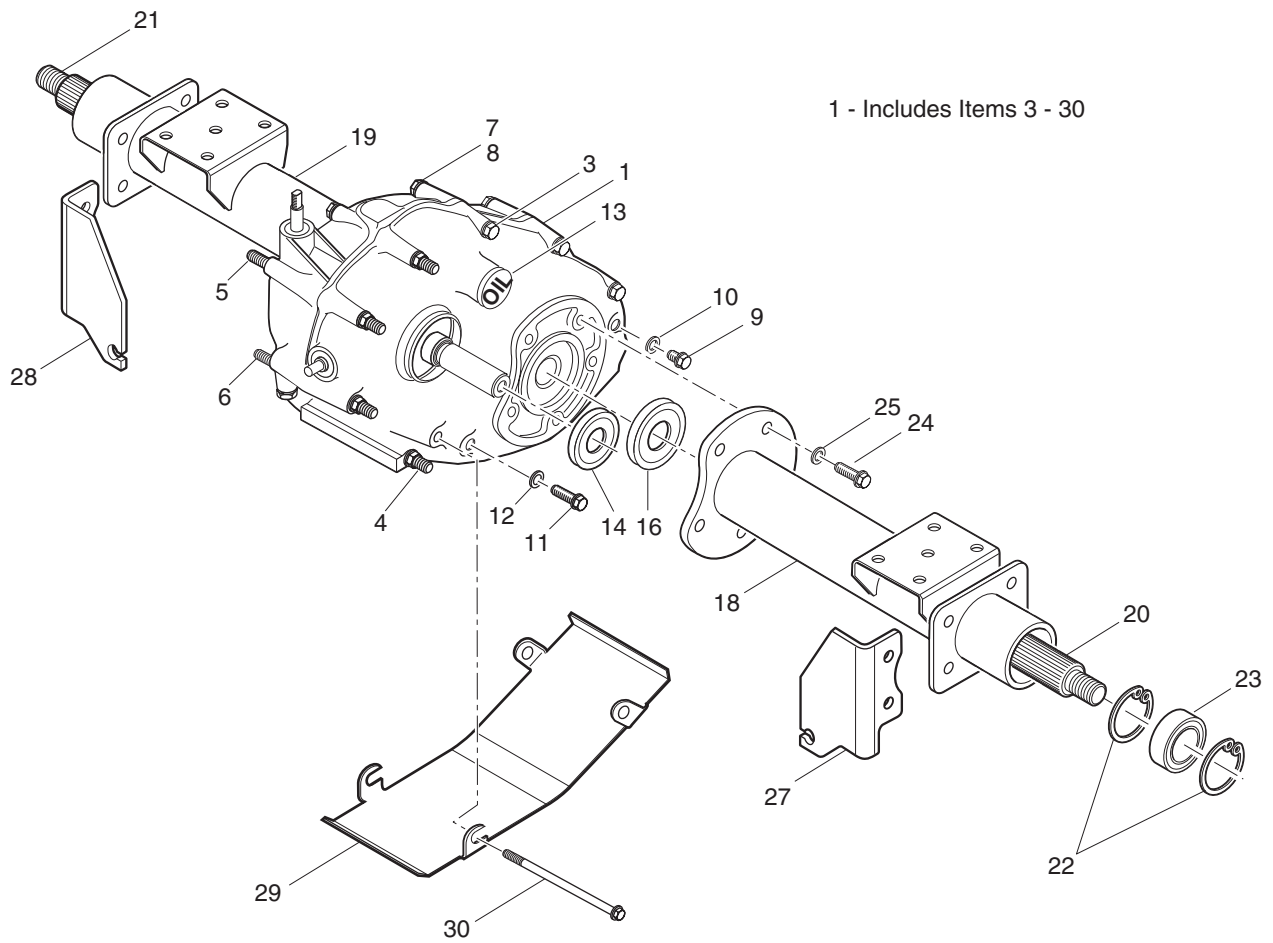
* Indicates a component that is not available as an individual part.

G** Indicates consult Customer Service Department for additional information.

ITEM	PART NO.	1 2 3 4 5	DESCRIPTION	QTY.
31				
32	27183-G01		TUBE, 1/4" ID X 1/2" OD (BULK), 26" LG (ST 350)	1
33	27183-G01		TUBE, 1/4" ID X 1/2" OD (BULK), 16" LG (ST SPORT).....	1
34	17618-G1		WIRE TIE	3
35				
36	22280-G1		VINYL TRIM - BLACK (BULK), 14" LG (ST 350)	1
37	22280-G1		VINYL TRIM - BLACK (BULK), 6 1/4" LG (ST SPORT)	1
38				
39	26459-G01		LABEL (UNLEADED GASOLINE ONLY)	1



REAR AXLE - SINGLE CABLE SHIFTER



Ref Rax 9

REAR AXLE - SINGLE CABLE SHIFTER

THE USE OF NON U.L. PARTS WILL VOID ANY U.L. LISTING.

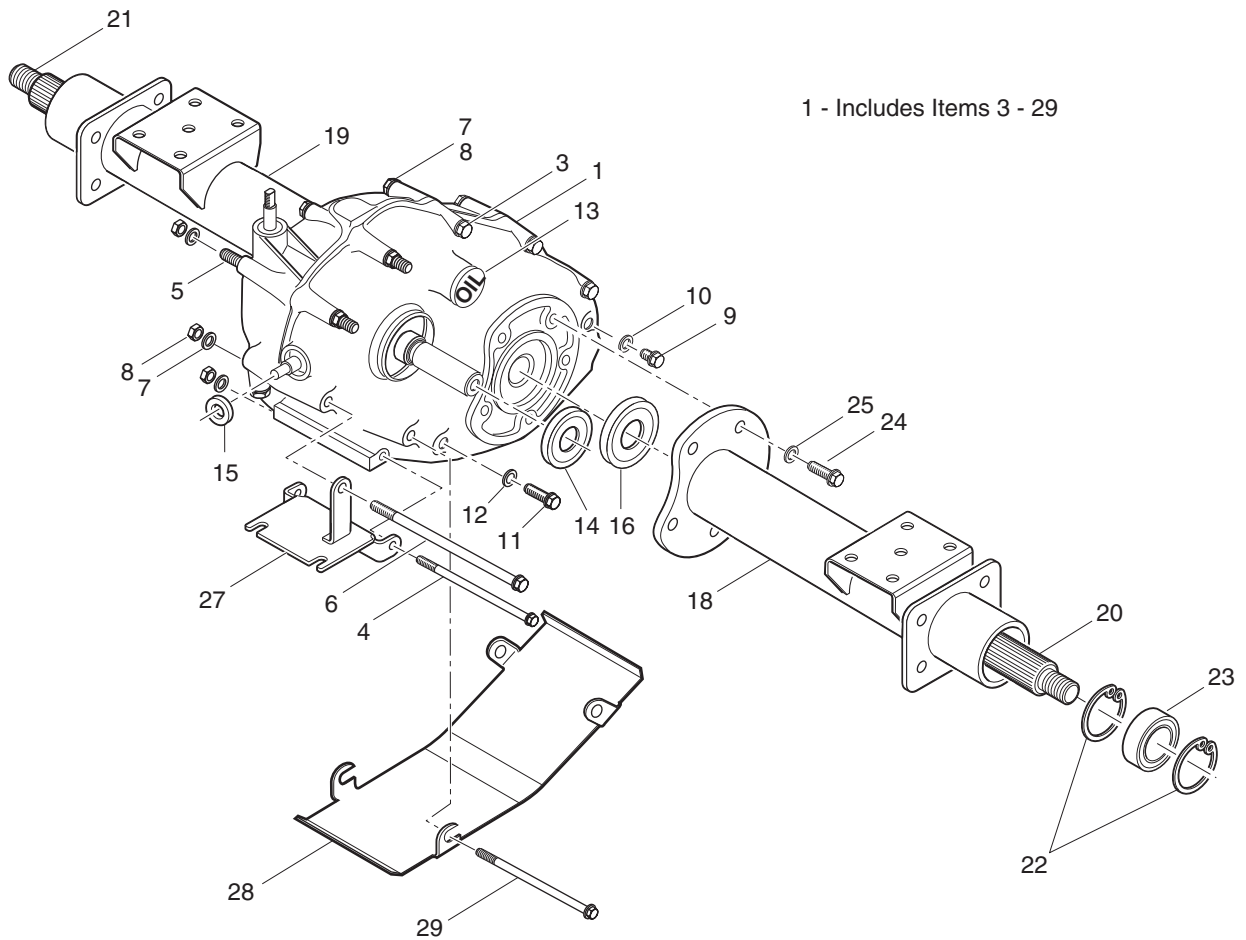
When ordering parts, please specify the model and serial number of the product.

* Indicates a component that is not available as an individual part.

G** Indicates consult Customer Service Department for additional information.

ITEM	PART NO.	1	2	3	4	5	DESCRIPTION	QTY.
1	74545-G01						REAR AXLE ASSEMBLY (13.32:1) (INCLUDES ITEMS 3 - 30).....	1
2								
3	26823-G01						FLANGED BOLT, M8 X 1.25 X 100 MM LG.....	7
4	26824-G01						FLANGED BOLT, M8 X 1.25 X 110 MM LG.....	1
5	72053-G01						FLANGED BOLT, M8 X 1.25 X 120 MM LG.....	1
6	72052-G01						FLANGED BOLT, M8 X 1.25 X 130 MM LG.....	1
7	26826-G01						LOCK WASHER, 8 MM	4
8	26827-G01						NUT, M8 X 1.25 MM.....	4
9	26768-G01						OIL CHECK PLUG.....	1
10	26769-G01						GASKET, 8 MM.....	1
11	26770-G01						OIL DRAIN PLUG	1
12	26771-G01						GASKET, 14 MM.....	1
13	26772-G01						OIL FILLER PLUG	1
14	26761-G01						INPUT SHAFT SEAL	1
15	26762-G01						SHIFTER SHAFT SEAL.....	1
16	26766-G01						AXLE SHAFT SEAL.....	2
17								
18	72058-G01						AXLE TUBE (DRIVER SIDE).....	1
19	72059-G01						AXLE TUBE (PASSENGER SIDE)	1
20	72056-G01						AXLE SHAFT (DRIVER SIDE).....	1
21	72057-G01						AXLE SHAFT (PASSENGER SIDE)	1
22	26814-G01						RETAINING RING.....	4
23	26811-G01						BALL BEARING	2
24	72260-G01						FLANGED BOLT, M10 X 1.5 X 23 MM LG.....	10
25	26828-G01						WASHER, 10 MM	10
26								
27	75870-G01						BRAKE CABLE BRACKET (DRIVER SIDE).....	1
28	75870-G02						BRAKE CABLE BRACKET (PASSENGER SIDE)	1
29	72349-G01						DIFFERENTIAL SKID PLATE	1
30	72053-G01						FLANGED BOLT, M8 X 1.25 X 110 MM LG.....	2

REAR AXLE - DUAL CABLE SHIFTER



Ref Rxd 9

REAR AXLE - DUAL CABLE SHIFTER

THE USE OF NON U.L. PARTS WILL VOID ANY U.L. LISTING.

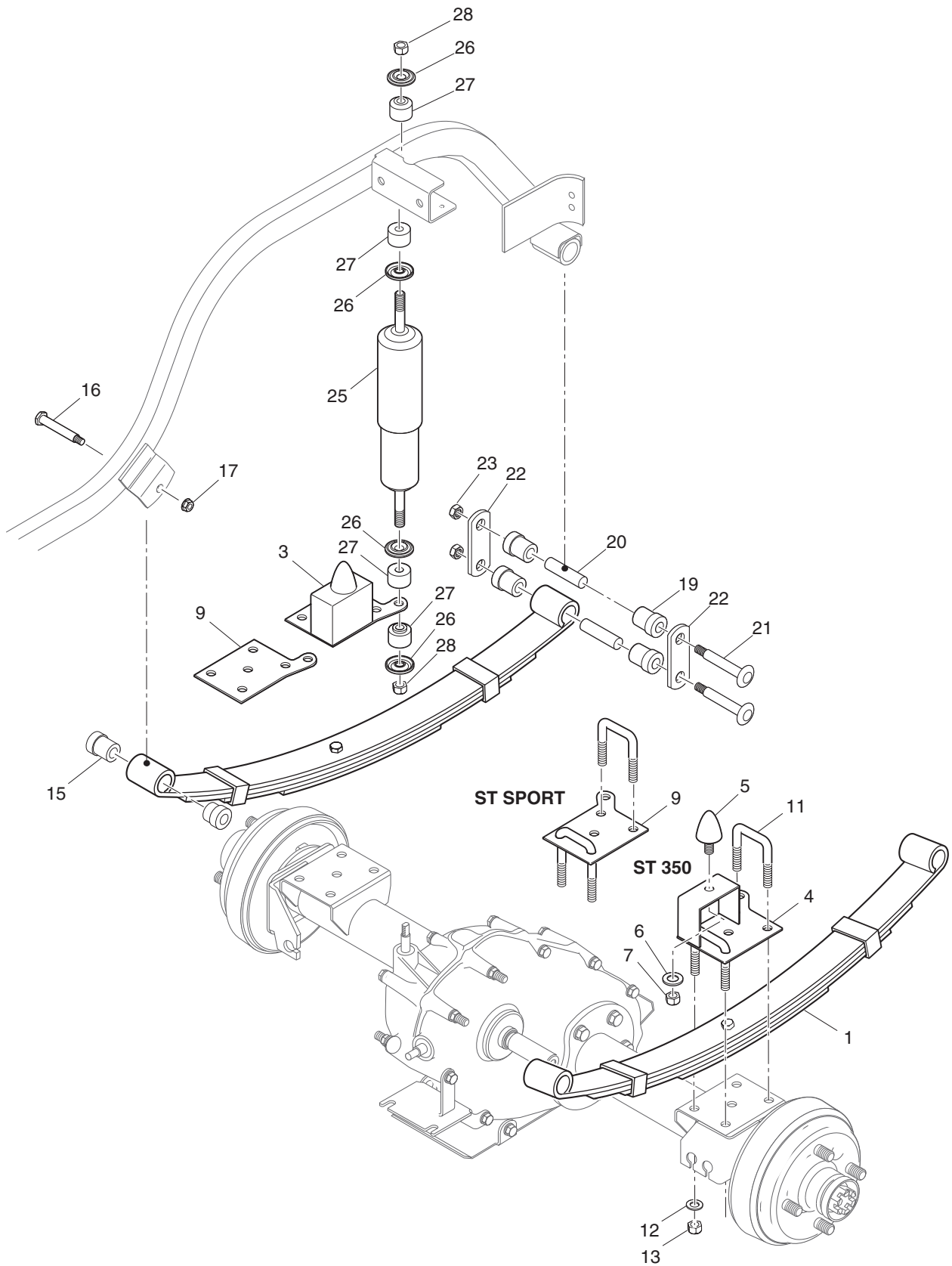
When ordering parts, please specify the model and serial number of the product.

* Indicates a component that is not available as an individual part.

G** Indicates consult Customer Service Department for additional information.

ITEM	PART NO.	1	2	3	4	5	DESCRIPTION	QTY.	
1	72408-G01							REAR AXLE ASSEMBLY (13.32:1) (INCLUDES ITEMS 3 - 29).....	1
2									
3	26823-G01							FLANGED BOLT, M8 X 1.25 X 100 MM LG.....	7
4	26824-G01							FLANGED BOLT, M8 X 1.25 X 110 MM LG.....	1
5	72053-G01							FLANGED BOLT, M8 X 1.25 X 120 MM LG.....	1
6	72052-G01							FLANGED BOLT, M8 X 1.25 X 130 MM LG.....	1
7	26826-G01							LOCK WASHER, 8 MM	4
8	26827-G01							NUT, M8 X 1.25 MM.....	4
9	26768-G01							OIL CHECK PLUG.....	1
10	26769-G01							GASKET, 8 MM.....	1
11	26770-G01							OIL DRAIN PLUG	1
12	26771-G01							GASKET, 14 MM.....	1
13	26772-G01							OIL FILLER PLUG	1
14	26761-G01							INPUT SHAFT SEAL	1
15	26762-G01							SHIFTER SHAFT SEAL.....	1
16	26766-G01							AXLE SHAFT SEAL.....	2
17									
18	72058-G01							AXLE TUBE (DRIVER SIDE).....	1
19	72059-G01							AXLE TUBE (PASSENGER SIDE)	1
20	72056-G01							AXLE SHAFT (DRIVER SIDE).....	1
21	72057-G01							AXLE SHAFT (PASSENGER SIDE)	1
22	26814-G01							RETAINING RING.....	4
23	26811-G01							BALL BEARING	2
24	72260-G01							FLANGED BOLT, M10 X 1.5 X 23 MM LG.....	10
25	26828-G01							WASHER, 10 MM	10
26									
27	26815-G01							SHIFTER CABLE BRACKET.....	1
28	72349-G01							DIFFERENTIAL SKID PLATE	1
29	72053-G01							FLANGED BOLT, M8 X 1.25 X 110 MM LG.....	2

REAR SUSPENSION



Ref Rsp 9

REAR SUSPENSION

THE USE OF NON U.L. PARTS WILL VOID ANY U.L. LISTING.

When ordering parts, please specify the model and serial number of the product.

* Indicates a component that is not available as an individual part.

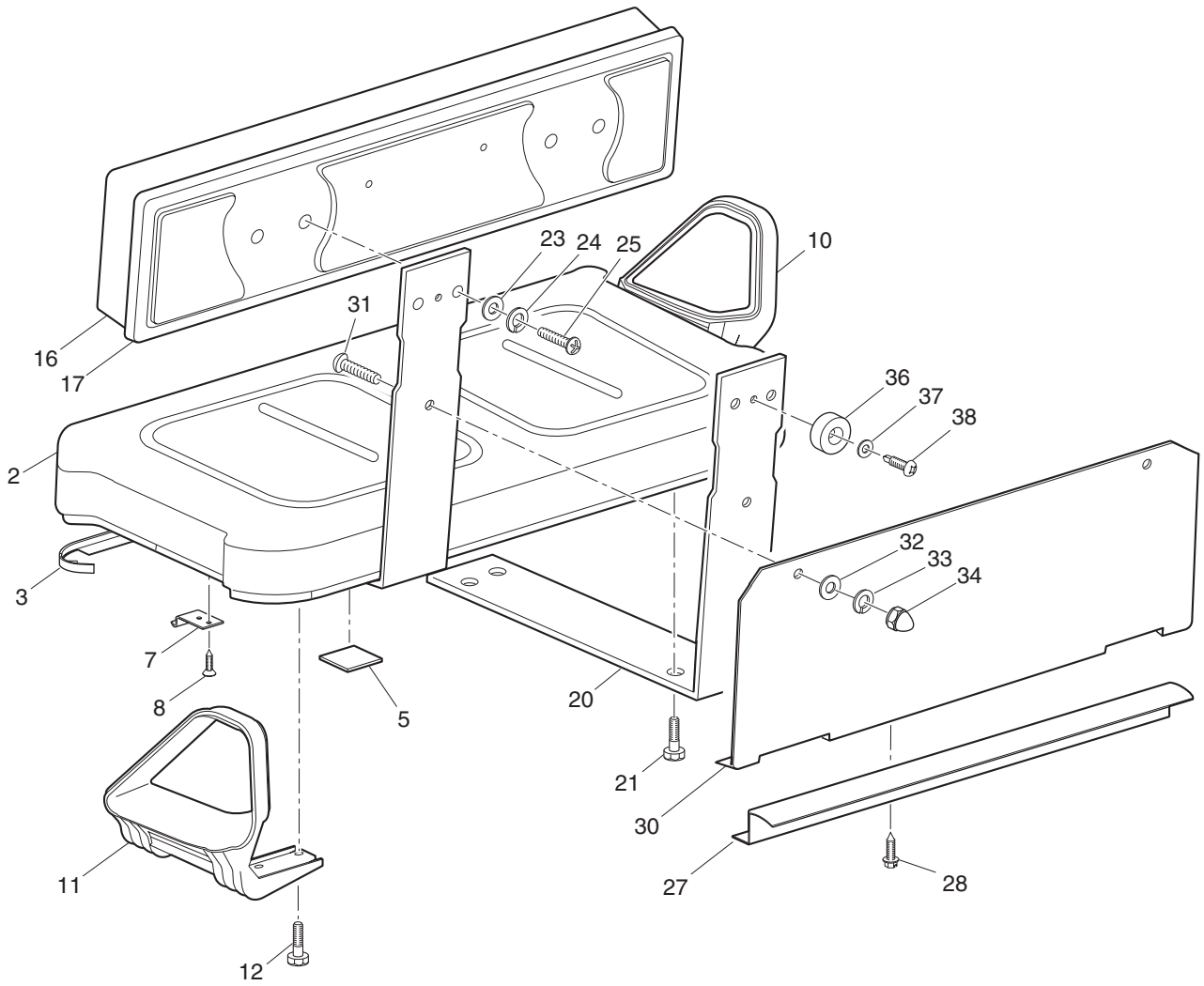
G** Indicates consult Customer Service Department for additional information.

ITEM	PART NO.	1 2 3 4 5	DESCRIPTION	QTY.
1	74207-G01		HEAVY DUTY LEAF SPRING	2
2				
3	72360-G01		SHOCK/STOP MOUNT (PASSENGER SIDE) (ST 350)	1
4	72360-G02		SHOCK/STOP MOUNT (DRIVER SIDE) (ST 350)	1
5	70492-G01		RUBBER BUMPER (ST 350)	2
6	00968-G01		LOCK WASHER, 10 MM (ST 350)	2
7	00974-G01		NUT, M10 X 1.5 (ST 350)	2
8				
9	72357-G02		SPRING PLATE (ST SPORT)	2
10				
11	72618-G02		'U' BOLT, 3/8 - 16 X 2" X 2 1/8" LG	4
12	00560-G1		WASHER, 3/8"	8
13	11098-G5		LOCK NUT, 3/8 - 16	8
14				
15	70291-G01		FLANGED BUSHING	4
16	14158-G1		SHOULDER BOLT, 3/8 - 16 X 3 1/4" LG	2
17	12262-G1		LOCK NUT, 3/8 - 16	2
18				
19	70291-G01		FLANGED BUSHING	8
20	70289-G02		SPACER	4
21	00665-G9		BOLT, 3/8 - 16 X 3 1/2" LG (STAINLESS STEEL)	4
22	70290-G01		SHACKLE PLATE	4
23	11098-G5		LOCK NUT, 3/8 - 16	4
24				
25	70324-G01		SHOCK ABSORBER	2
26	10435-G1		SHOCK ABSORBER WASHER	8
27	10194-G1		RUBBER SHOCK ABSORBER BUSHING	8
28	00532-G6		NUT, 3/8 - 24	4

SEATING

ST 350

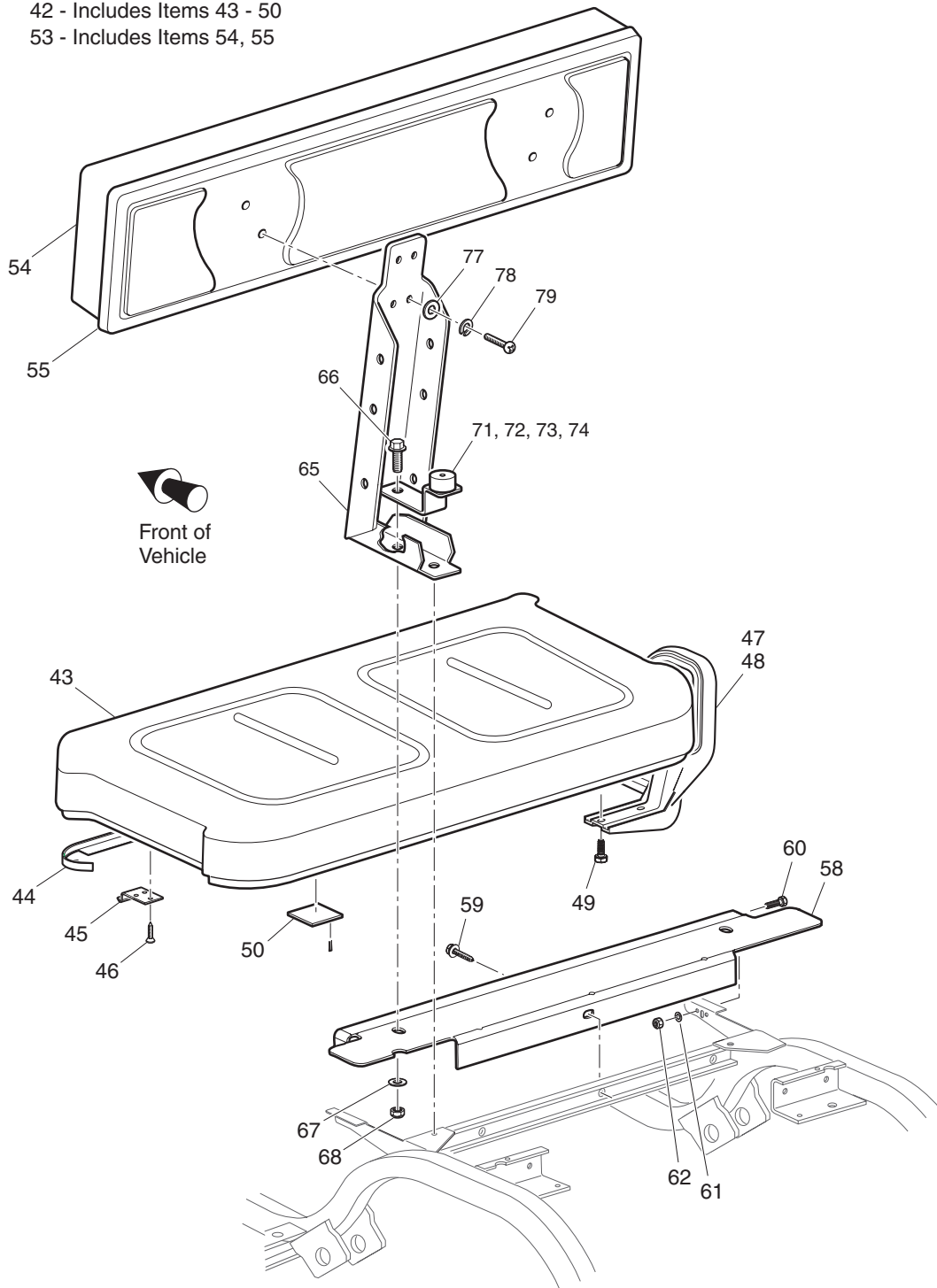
1 - Includes Items 2, 3
15 - Includes Items 16, 17



Ref Sea 9-1

ST SPORT

42 - Includes Items 43 - 50
53 - Includes Items 54, 55



Ref Sea 9-2

SEATING

THE USE OF NON U.L. PARTS WILL VOID ANY U.L. LISTING.

When ordering parts, please specify the model and serial number of the product.

* Indicates a component that is not available as an individual part.

G** Indicates consult Customer Service Department for additional information.

ITEM	PART NO.	1 2 3 4 5	DESCRIPTION	QTY.
1	71664-G**		SEAT BOTTOM ASSEMBLY (INCLUDES ITEMS 2, 3)	1
2	71602-G**		VINYL SEAT BOTTOM COVER	1
3	71012-G01		VINYL TRIM (SEAT BOTTOM)	1
4				
5	17074-G1		RUBBER PAD	2
6				
7	71610-G01		SEAT HINGE	2
8	00720-G08		SCREW, #12 - 14 X 1" LG (STAINLESS STEEL)	6
9				
10	71701-G01		HIP RESTRAINT (PASSENGER SIDE)	1
11	71702-G01		HIP RESTRAINT (DRIVER SIDE)	1
12	71204-G01		BOLT, 1/4 - 20 X 7/8" LG	8
13				
14				
15	27546-G**		SEAT BACK ASSEMBLY (INCLUDES ITEMS 16, 17)	1
16	18144-G**		VINYL SEAT BACK COVER	1
17	18868-G3		PLASTIC SEAT BACK COVER (BLACK)	1
18				
19				
20	71662-G01		SEAT BACK SUPPORT BRACKET	2
21	71204-G01		BOLT, 1/4 - 20 X 7/8" LG	8
22				
23	01110-G01		WASHER, 1/4" (STAINLESS STEEL)	4
24	00664-G7		LOCK WASHER, 1/4" (STAINLESS STEEL)	4
25	16705-G1		SCREW, 1/4 - 20 X 1" LG (STAINLESS STEEL)	4
26				
27	71762-G02		SEAL	1
28	00114-G6		SCREW, 1/4 - 14 X 3/4" LG	2
29				
30	71783-G01		SEAT SHIELD	1

SEATING

THE USE OF NON U.L. PARTS WILL VOID ANY U.L. LISTING.

When ordering parts, please specify the model and serial number of the product.

* Indicates a component that is not available as an individual part.

G** Indicates consult Customer Service Department for additional information.

ITEM	PART NO.	1 2 3 4 5	DESCRIPTION	QTY.
31	16705-G3		SCREW, 1/4 - 20 X 3/4" LG (STAINLESS STEEL)	2
32	01110-G01		WASHER, 1/4" (STAINLESS STEEL)	2
33	00664-G7		LOCK WASHER, 1/4" (STAINLESS STEEL)	2
34	15158-G1		ACORN NUT, 1/4 - 20	2
35				
36	13728-G1		RUBBER BUMPER	2
37	00650-G7		WASHER, 1/4"	2
38	74384-G01		SCREW, 1/4 - 20 X 5/8" LG.....	2
39				
40				
41				
42	71611-G**		SEAT BOTTOM ASSEMBLY (INCLUDES ITEMS 43 - 50)	1
43	71602-G**		VINYL SEAT BOTTOM COVER	1
44	71012-G01		VINYL TRIM (SEAT BOTTOM)	1
45	71610-G01		SEAT HINGE	2
46	00720-G08		SCREW, #12 - 14 X 1" LG (STAINLESS STEEL).....	6
47	71701-G01		HIP RESTRAINT (PASSENGER SIDE).....	1
48	71702-G01		HIP RESTRAINT (DRIVER SIDE)	1
49	71204-G01		BOLT, 1/4 - 20 X 7/8" LG	8
50	17074-G1		RUBBER PAD	2
51				
52				
53	71274-G**		SEAT BACK ASSEMBLY (INCLUDES ITEMS 54, 55).....	1
54	18144-G**		VINYL SEAT BACK COVER	1
55	18868-G4		PLASTIC SEAT BACK COVER (BLACK)	1
56				
57				
58	71262-G01		SEAT BACK SUPPORT	1
59	00715-G2		BOLT, 5/16 - 18 X 4/5" LG	1
60	00438-G8		BOLT, 5/16 - 18 X 1" LG	2

SEATING

THE USE OF NON U.L. PARTS WILL VOID ANY U.L. LISTING.

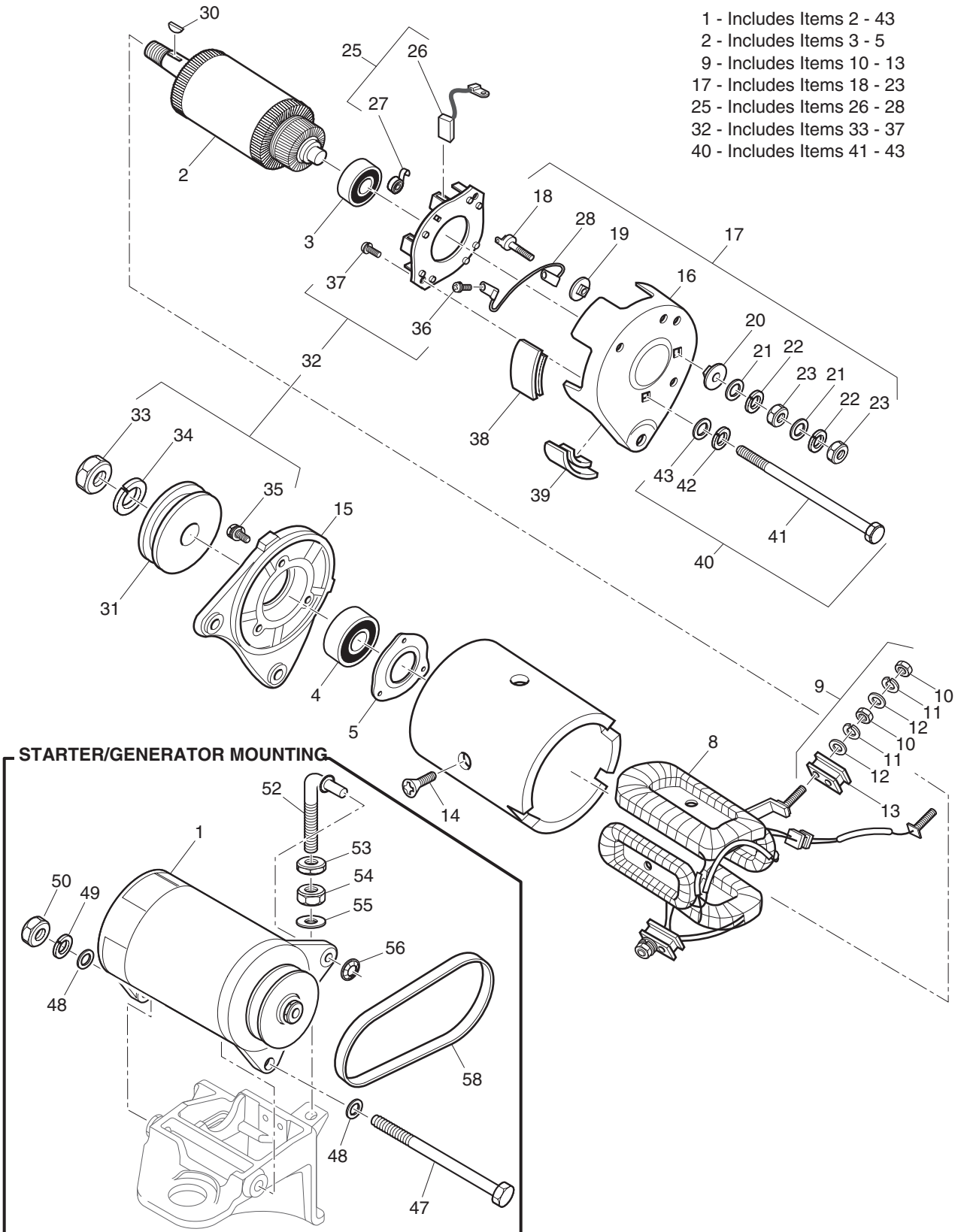
When ordering parts, please specify the model and serial number of the product.

* Indicates a component that is not available as an individual part.

G** Indicates consult Customer Service Department for additional information.

ITEM	PART NO.	1 2 3 4 5	DESCRIPTION	QTY.
61	00642-G8		WASHER, 5/16"	2
62	01109-G01		LOCK NUT, 5/16 - 18 (STAINLESS STEEL)	2
63				
64				
65	75900-G01		SEAT BACK SUPPORT BRACKET	2
66	01006-G1		BOLT, 3/8 - 16 X 1 1/4" LG	4
67	00560-G1		WASHER, 3/8"	2
68	11098-G5		LOCK NUT, 3/8 - 16	2
69				
70				
71	75901-G01		BED BUMPER BRACKET	2
72	13728-G1		RUBBER BUMPER	2
73	00559-G5		WASHER,	2
74	14601-G1		RIVET, 3/16" X 13/16" LG (ALUMINUM)	2
75				
76				
77	16705-G1		SCREW, 1/4 - 20 X 1" LG (STAINLESS STEEL)	4
78	00664-G7		LOCK WASHER, 1/4" (STAINLESS STEEL)	4
79	01110-G01		WASHER, 1/4" (STAINLESS STEEL)	4

STARTER / GENERATOR



Ref Stg 9

STARTER / GENERATOR

THE USE OF NON U.L. PARTS WILL VOID ANY U.L. LISTING.

When ordering parts, please specify the model and serial number of the product.

* Indicates a component that is not available as an individual part.

G** Indicates consult Customer Service Department for additional information.

ITEM	PART NO.	1	2	3	4	5	DESCRIPTION	QTY.
1	27065-G01						STARTER / GENERATOR (INCLUDES ITEMS 2 - 43).....	1
2	26870-G01						ARMATURE (INCLUDES ITEMS 3 - 5)	1
3	26871-G01						REAR BALL BEARING	1
4	26872-G01						FRONT BALL BEARING	1
5	26873-G01						BEARING HOLDER	1
6								
7								
8	26875-G01						FIELD COIL	1
9	26876-G01						INSULATING BRUSH ASSEMBLY ('F') (INCLUDES ITEMS 10 - 13).....	2
10	*						NUT	2
11	*						LOCK WASHER	2
12	*						WASHER	2
13	*						INSULATOR	1
14	26877-G01						POLE CORE SETSCREW.....	4
15	26878-G01						FRONT COVER.....	1
16	27879-G01						REAR COVER	1
17	26880-G01						TERMINAL ASSEMBLY ('A') (INCLUDES ITEMS 18 - 23).....	2
18	*						TERMINAL	2
19	*						INSULATOR	2
20	*						INSULATOR	2
21	*						WASHER.....	4
22	*						LOCK WASHER	4
23	*						NUT	4
24								
25	26881-G01						BRUSH HOLDER ASSEMBLY (INCLUDES ITEMS 26 - 28)	1
26	26658-G01						BRUSH.....	4
27	26882-G01						BRUSH SPRING	4
28	26883-G01						BRUSH CONNECTOR.....	2
29								
30	26884-G01						KEY.....	1

STARTER / GENERATOR

THE USE OF NON U.L. PARTS WILL VOID ANY U.L. LISTING.

When ordering parts, please specify the model and serial number of the product.

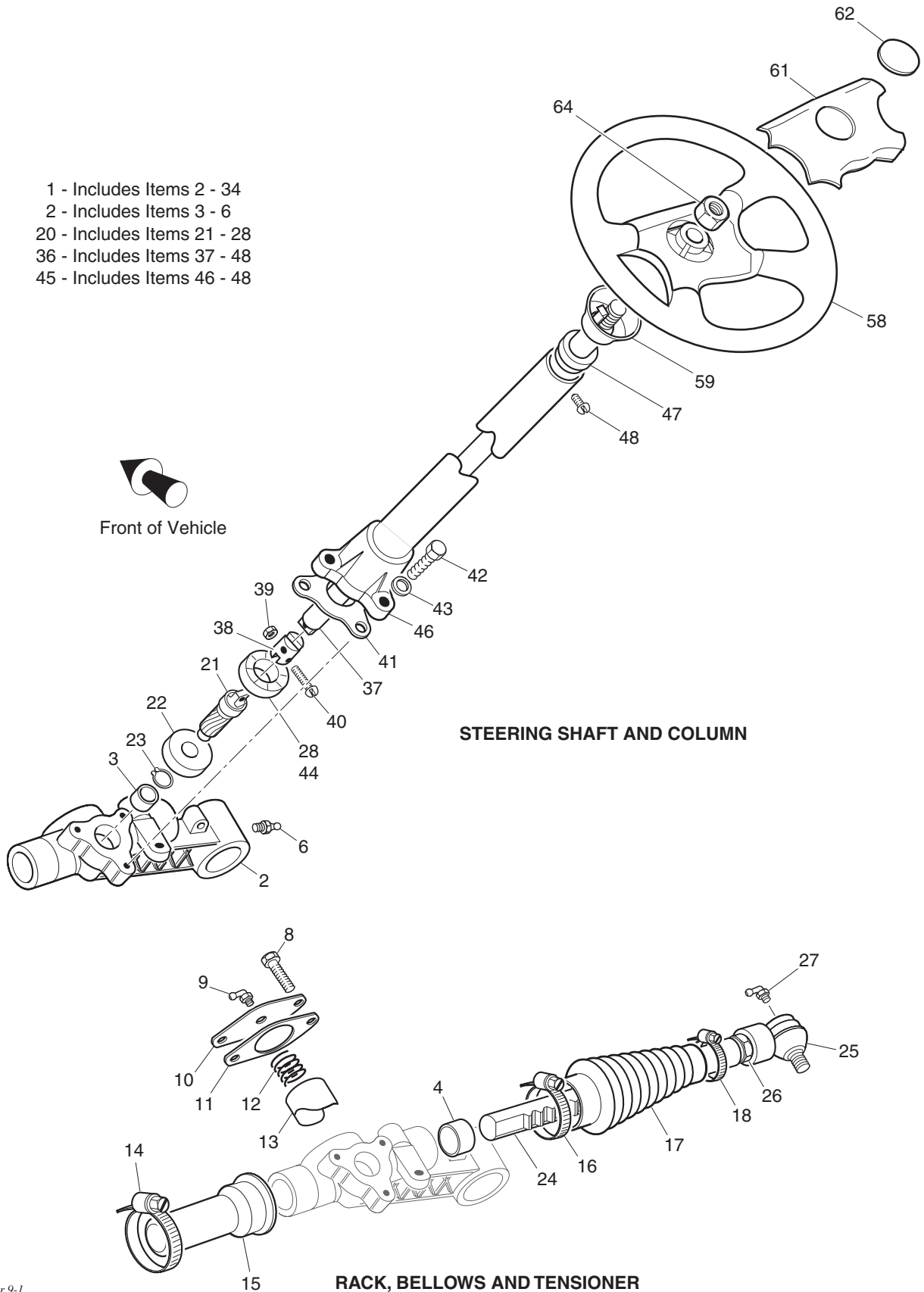
* Indicates a component that is not available as an individual part.

G** Indicates consult Customer Service Department for additional information.

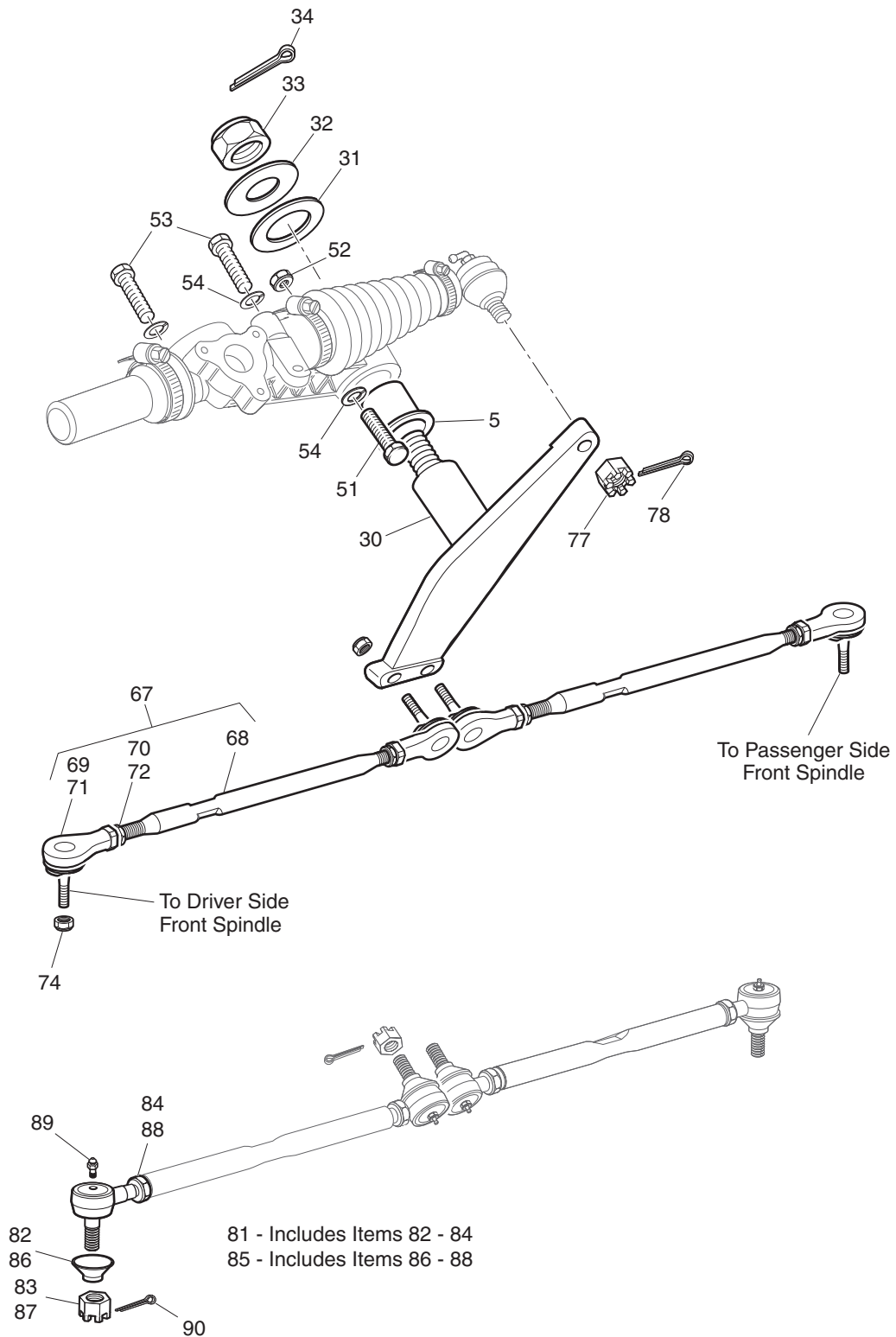
ITEM	PART NO.	1	2	3	4	5	DESCRIPTION	QTY.
31	*						PULLEY	1
32	26886-G01						BRUSH AND PULLEY HARDWARE KIT (INCLUDES ITEMS 33 - 37).....	1
33	*						NUT	1
34	*						LOCK WASHER.....	1
35	*						SCREW	3
36	*						SCREW	4
37	*						SCREW	2
38	26887-G01						BRUSH 1 COVER.....	3
39	26888-G01						BRUSH 2 COVER.....	2
40	26889-G01						HOUSING HARDWARE KIT (INCLUDES ITEMS 41 - 43).....	2
41	*						BOLT	2
42	*						LOCK WASHER.....	2
43	*						WASHER.....	2
44								
45								
46								
47	00938-G4						BOLT, 1/2 - 13 X 8" LG	1
48	00560-G3						WASHER, 1/2"	2
49	00566-G3						LOCK WASHER, 1/2".....	1
50	00533-G1						NUT, 1/2 - 13	1
51								
52	28617-G01						STARTER / GENERATOR ADJUSTER.....	1
53	00544-G5						JAM NUT, 3/8 - 16	1
54	00532-G5						NUT, 3/8 - 16	1
55	00560-G1						WASHER, 3/8"	1
56	12064-G4						PUSH NUT, 5/16"	1
57								
58	26414-G01						STARTER / GENERATOR BELT.....	1

STEERING

- 1 - Includes Items 2 - 34
- 2 - Includes Items 3 - 6
- 20 - Includes Items 21 - 28
- 36 - Includes Items 37 - 48
- 45 - Includes Items 46 - 48



IDLER, TIE RODS AND MOUNTING



Ref Str 9-2

STEERING

THE USE OF NON U.L. PARTS WILL VOID ANY U.L. LISTING.

When ordering parts, please specify the model and serial number of the product.

* Indicates a component that is not available as an individual part.

G** Indicates consult Customer Service Department for additional information.

ITEM	PART NO.	1 2 3 4 5	DESCRIPTION	QTY.
1	70723-G02		STEERING BOX ASSEMBLY (COMPLETE) (INCLUDES ITEMS 2 - 34)	1
2	75364-G01		STEERING HOUSING (INCLUDES ITEMS 3 - 6)	1
3	*		SLEEVE BEARING	1
4	*		SLEEVE BEARING	1
5	*		FLANGED BEARING	1
6	10389-G3		GREASE FITTING, STRAIGHT	1
7				
8	00426-G6		BOLT, 3/8 - 16 X 3/4" LG	2
9	18456-G1		GREASE FITTING, 90°	1
10	70177-G01		RACK GUIDE COVER	1
11	70225-G01		GASKET	1
12	70178-G01		COMPRESSION SPRING	1
13	70179-G01		RACK GUIDE	1
14	11391-G1		HOSE CLAMP, 1 5/16"	1
15	70041-G01		RACK COVER	1
16	11391-G1		HOSE CLAMP, 1 5/16"	1
17	70183-G01		BELLOWS	1
18	11391-G5		HOSE CLAMP, 13/16"	1
19				
20	70724-G01		STEERING GEAR KIT (INCLUDES ITEMS 21 - 28)	1
21	70717-G01		GEAR PINION	1
22	15112-G1		BALL BEARING	1
23	70190-G01		EXTERNAL RETAINING RING	1
24	70718-G01		STEERING RACK	1
25	70192-G01		RACK BALL END	1
26	00544-G8		JAM NUT, 7/16 - 20	1
27	18456-G1		GREASE FITTING, 90°	1
28	70466-G01		RETAINER	1
29				
30	70184-G01		IDLER	1

STEERING

THE USE OF NON U.L. PARTS WILL VOID ANY U.L. LISTING.

When ordering parts, please specify the model and serial number of the product.

* Indicates a component that is not available as an individual part.

G** Indicates consult Customer Service Department for additional information.

ITEM	PART NO.	1 2 3 4 5	DESCRIPTION	QTY.
31	70216-G01		THRUST WASHER, 1 1/2"	1
32	70195-G01		THRUST WASHER, 7/8"	1
33	00734-G6		LOCK NUT, 7/8 - 9	1
34	00798-G8		COTTER PIN, 5/32" X 1 3/4" LG	1
35				
36	70360-G01		STEERING SHAFT/COLUMN KIT (INCLUDES ITEMS 37 - 48)	1
37	14322-G6		STEERING SHAFT	1
38	70558-G01		COUPLING	1
39	00550-G1		LOCK NUT, 1/4 - 20	2
40	70227-G01		BOLT, 1/4 - 20 X 7/8" LG	2
41	70223-G01		GASKET	1
42	00876-G2		BOLT, 3/8 - 16 X 1 1/4" LG WITH PATCHLOCK	3
43	00878-G1		LOCK WASHER, 3/8"	3
44	70466-G01		RETAINER	1
45	28633-G01		STEERING COLUMN KIT (INCLUDES ITEMS 46 - 48)	1
46	*		STEERING COLUMN	1
47	28569-G01		STEERING COLUMN BUSHING	1
48	01022-G01		SCREW, #6 - 20 X 5/16" LG	1
49				
50				
51	00470-G4		BOLT, 7/16 - 20 X 2 1/2" LG	1
52	00734-G3		LOCK NUT, 7/16 - 20	1
53	01033-G01		BOLT, 7/16 - 14 X 1 1/4" LG WITH PATCHLOCK	2
54	00566-G2		LOCK WASHER, 7/16"	3
55				
56				
57				
58	71146-G01		STEERING WHEEL	1
59	71949-G01		HUB COVER	1
60				

STEERING

THE USE OF NON U.L. PARTS WILL VOID ANY U.L. LISTING.

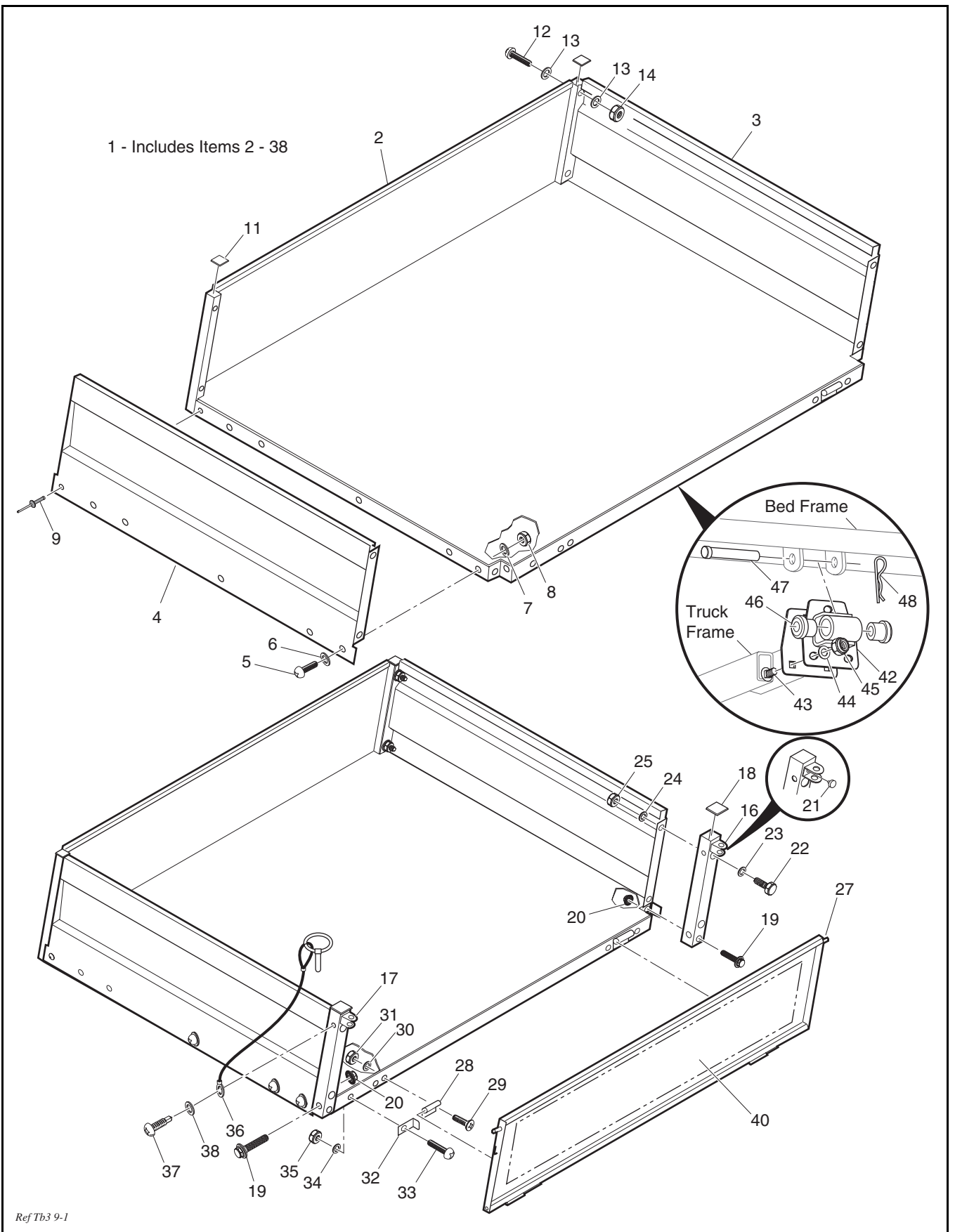
When ordering parts, please specify the model and serial number of the product.

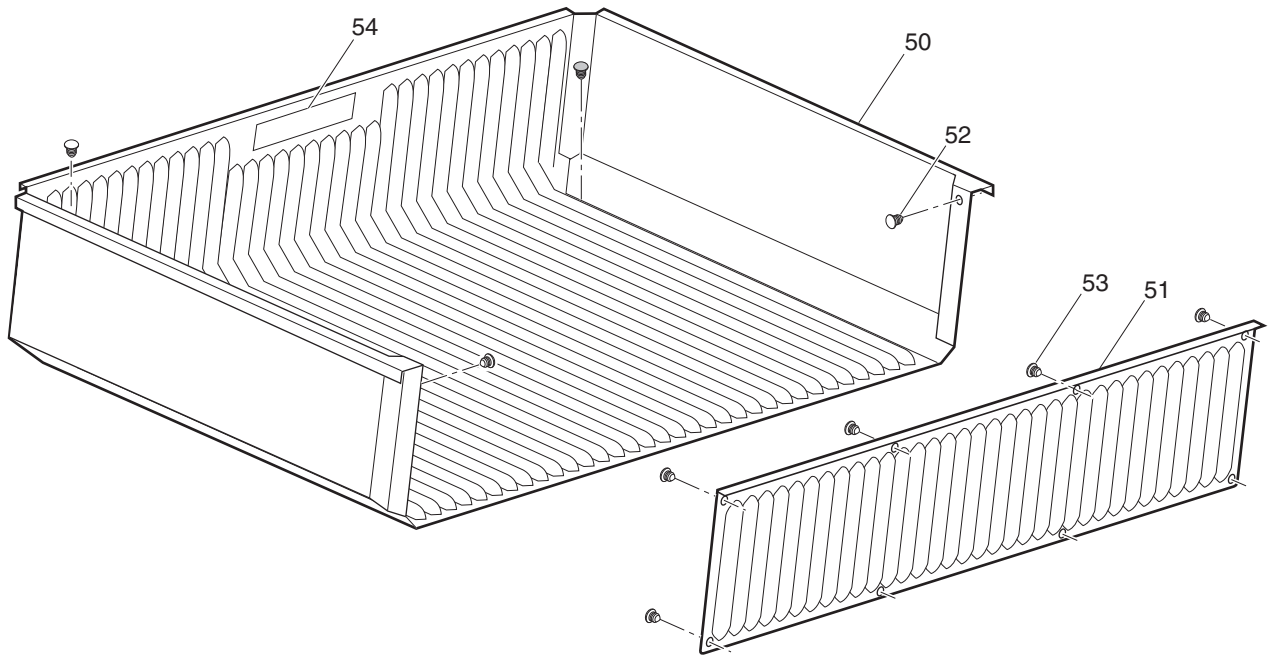
* Indicates a component that is not available as an individual part.

G** Indicates consult Customer Service Department for additional information.

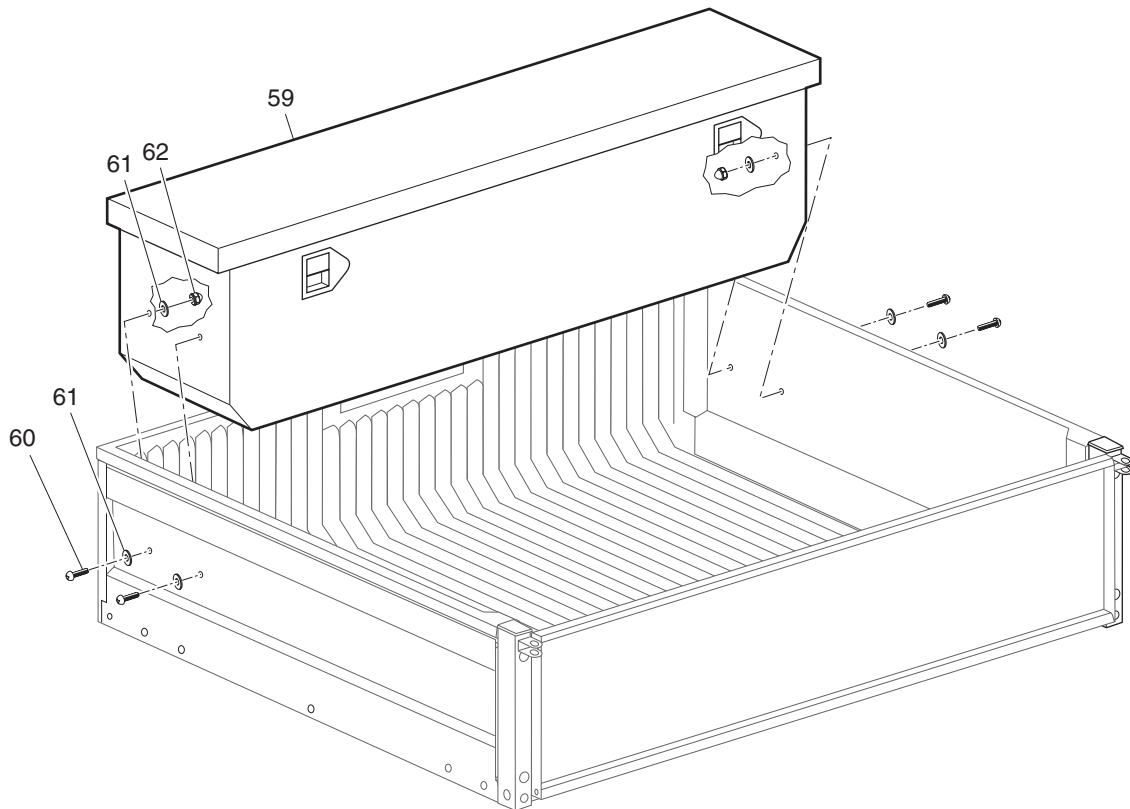
ITEM	PART NO.	1 2 3 4 5	DESCRIPTION	QTY.
61	71147-G01		STEERING WHEEL COVER	1
62	71047-G01		LABEL (E-Z-GO)	1
63				
64	14390-G2		LOCK NUT, 5/8 - 18	1
65				
66				
67	70904-G04		TIE ROD ASSEMBLY (INCLUDES ITEMS 68 - 72)	2
68	70855-G03		THREADED ROD (10 1/8" LG).....	1
69	70902-G01		TIE ROD END (LEFT HAND THREADS)	1
70	01069-G01		JAM NUT, M12 X 1.25-05 (LEFT HAND THREADS).....	1
71	70902-G02		TIE ROD END (RIGHT HAND THREADS).....	1
72	01069-G02		JAM NUT, M12 X 1.25-05 (RIGHT HAND THREADS)	1
73				
74	00734-G1		LOCK NUT, 7/16 - 14	4
75				
76				
77	50209-G2		CASTELLATED NUT, 7/16 - 20	1
78	10387-G2		COTTER PIN, 3/32" X 1" LG	1
79				
80				
81	27205-G01		TIE ROD END (LEFT HAND THREAD) (INCLUDES ITEMS 82 - 84)	1
82	50641-G1		RUBBER BOOT	1
83	50209-G2		CASTELLATED NUT, 7/16 - 20	1
84	18434-G3		JAM NUT, 9/16 - 18 (LEFT HAND THREAD)	1
85	27205-G02		TIE ROD END (RIGHT HAND THREAD) (INCLUDES ITEMS 86 - 88).....	1
86	50641-G1		RUBBER BOOT	1
87	50209-G2		CASTELLATED NUT, 7/16 - 20	1
88	18434-G4		JAM NUT, 9/16 - 18 (RIGHT HAND THREAD)	1
89	10389-G3		GREASE FITTING, STRAIGHT.....	2
90	10387-G2		COTTER PIN, 3/32" X 1" LG	4

TRUCK BEDS - ST 350



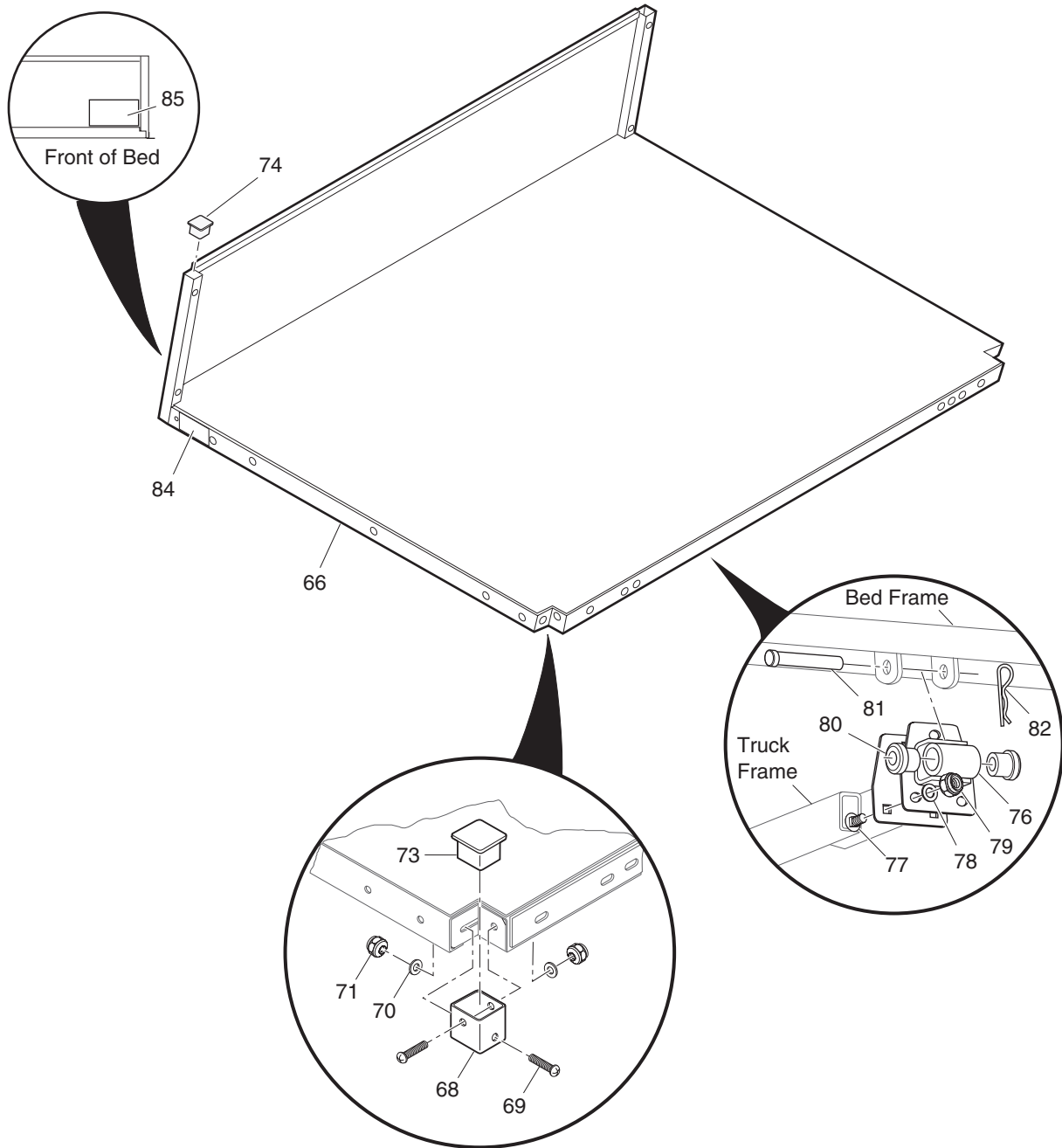


58 - Includes Items 59 - 62

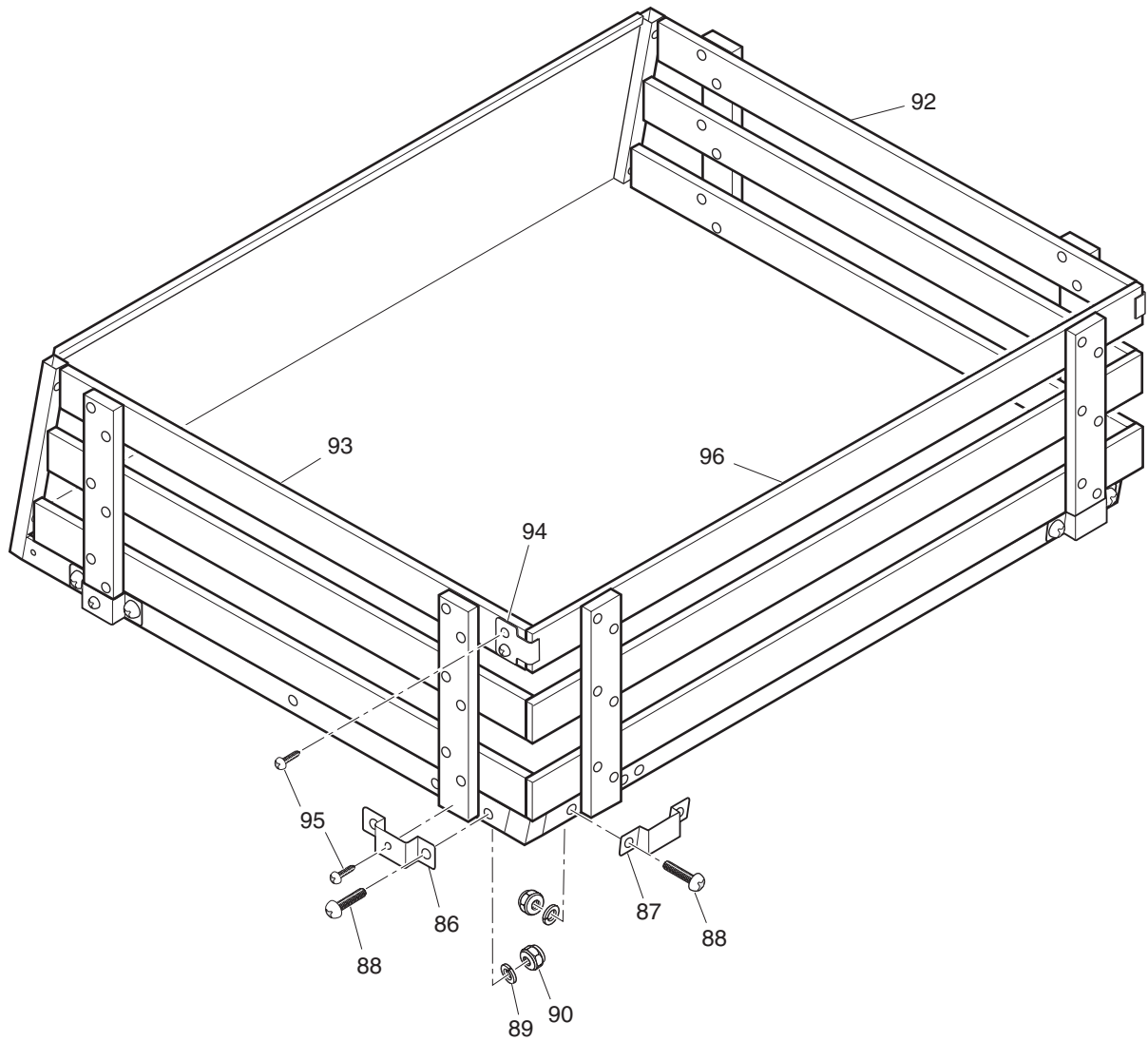


Ref Tb3 9-2

TRUCK BEDS - ST 350

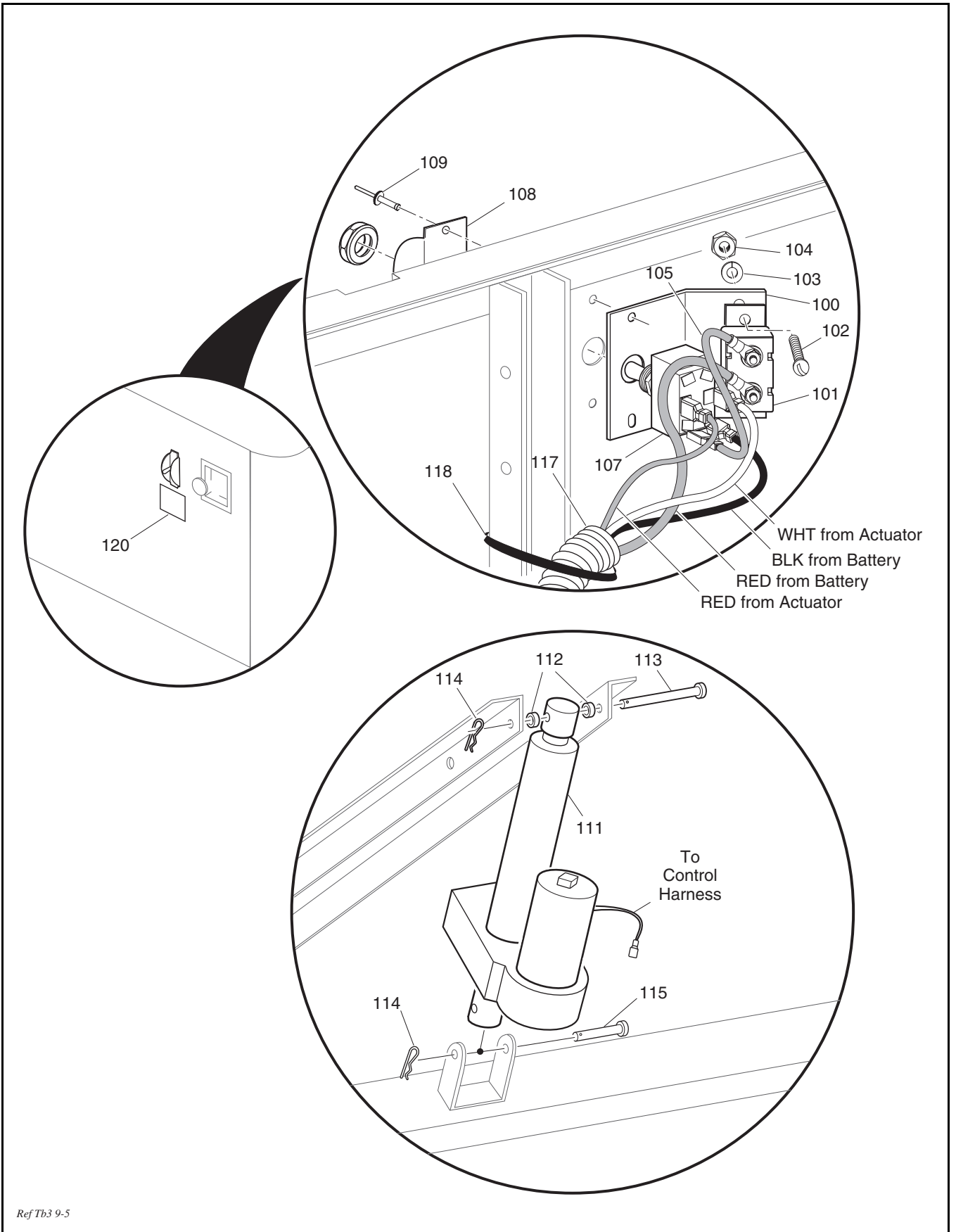


Ref Tb3 9-3

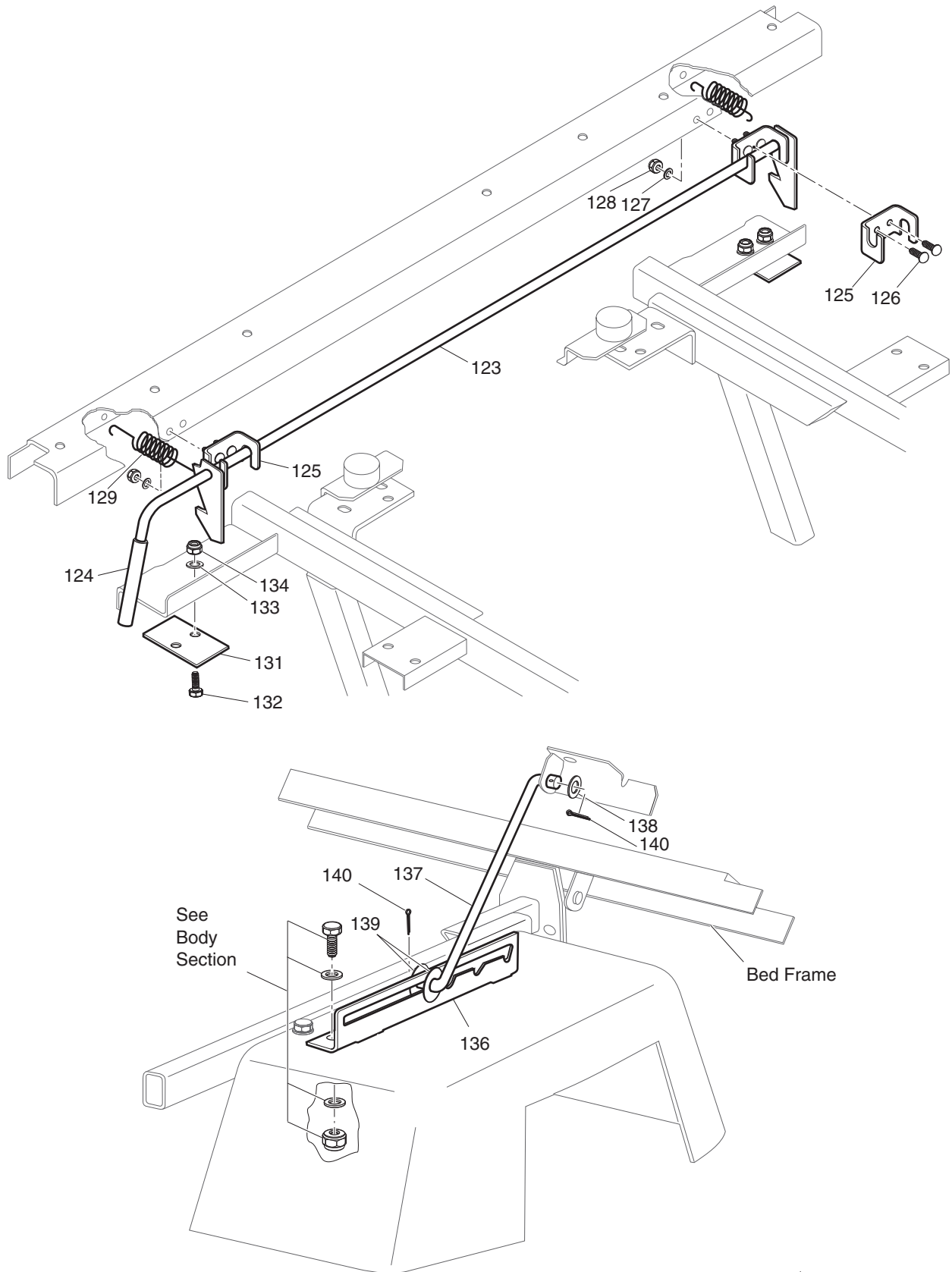


Ref Tb3 9-4

TRUCK BEDS - ST 350



Ref Tb3 9-5



Ref Tb3 9-6

TRUCK BEDS - ST 350

THE USE OF NON U.L. PARTS WILL VOID ANY U.L. LISTING.

When ordering parts, please specify the model and serial number of the product.

* Indicates a component that is not available as an individual part.

G** Indicates consult Customer Service Department for additional information.

ITEM	PART NO.	1 2 3 4 5	DESCRIPTION	QTY.
1	71711-G01		TRUCK BED ASSEMBLY (40") (INCLUDES ITEMS 2 - 38)	1
2	71719-G01		BED FRAME	1
3	71714-G01		SIDE PANEL (PASSENGER SIDE)	1
4	71714-G02		SIDE PANEL (DRIVER SIDE).....	1
5	16705-G3		SCREW, 1/4 - 20 X 3/4" LG (STAINLESS STEEL).....	10
6	00915-G1		BONDED WASHER, 1/4"	10
7	01110-G01		WASHER, 1/4" (STAINLESS STEEL).....	10
8	14390-G4		LOCK NUT, 1/4 - 20	10
9	14601-G8		RIVET, 3/16" X 7/16" LG (ALUMINUM)	2
10				
11	71717-G01		END CAP, 1"	2
12	16705-G6		SCREW, 1/4 - 20 X 1 3/4" LG (STAINLESS STEEL).....	4
13	00915-G1		BONDED WASHER, 1/4"	8
14	14390-G4		LOCK NUT, 1/4 - 20	4
15				
16	71837-G01		POST (PASSENGER SIDE)	1
17	71837-G02		POST (DRIVER SIDE).....	1
18	71718-G01		END CAP, 1 1/2"	2
19	01074-G01		SCREW, 3/8 - 16 X 3/4" LG	4
20	11027-G5		LOCK NUT, 3/8 - 16	4
21	71838-G01		BUMPER.....	2
22	16705-G3		SCREW, 1/4 - 20 X 3/4" LG (STAINLESS STEEL).....	4
23	00915-G1		BONDED WASHER, 1/4"	4
24	01110-G01		WASHER, 1/4" (STAINLESS STEEL).....	4
25	14390-G4		LOCK NUT, 1/4 - 20	4
26				
27	71732-G01		TAILGATE	1
28	27666-G01		HINGE.....	2
29	01002-G08		SCREW, 1/4 - 20 X 1" LG	4
30	01110-G01		WASHER, 1/4" (STAINLESS STEEL).....	4

TRUCK BEDS - ST 350

THE USE OF NON U.L. PARTS WILL VOID ANY U.L. LISTING.

When ordering parts, please specify the model and serial number of the product.

* Indicates a component that is not available as an individual part.

G** Indicates consult Customer Service Department for additional information.

ITEM	PART NO.	1 2 3 4 5	DESCRIPTION	QTY.
31	14390-G4		LOCK NUT, 1/4 - 20	4
32	71748-G01		TAILGATE KEEPER	1
33	16705-G3		SCREW, 1/4 - 20 X 3/4" LG (STAINLESS STEEL).....	1
34	01110-G01		WASHER, 1/4" (STAINLESS STEEL).....	1
35	14390-G4		LOCK NUT, 1/4 - 20	1
36	71083-G01		TAILGATE CABLE	2
37	00106-G6		SELF-THREADING SCREW, #12 - 24 X 3/4" LG.....	2
38	00915-G1		BONDED WASHER, 1/4".....	2
39				
40	35978-G01		LABEL (WORKHORSE).....	1
41				
42	70396-G01		BED PIVOT	2
43	00764-G2		CARRIAGE BOLT, 5/16 - 18 X 1" LG	6
44	00559-G8		WASHER, 5/16"	6
45	01109-G01		LOCK NUT, 5/16 - 18 (STAINLESS STEEL)	6
46	70291-G01		FLANGED BUSHING	4
47	21682-G1		CLEVIS PIN, 1/2" X 2 7/8" LG	2
48	21683-G1		COTTER PIN, 15/32" X 2 13/16" LG	2
49				
50	74234-G01		BED LINER, 40"	1
51	74235-G01		TAILGATE LINER.....	1
52	18436-G1		RIVET, 1/4" X 3/4" LG	4
53	14601-G10		RIVET, 3/16" X 7/16" LG (ALUMINUM)	6
54	71517-G01		BED CAPACITY LABEL	1
55				
56				
57				
58	75454-G02		ALUMINUM TOOLBOX KIT (INCLUDES ITEMS 59 - 62).....	1
59	75493-G01		ALUMINUM TOOLBOX	1
60	16705-G3		SCREW, 1/4 - 20 X 3/4" LG (STAINLESS STEEL).....	4

TRUCK BEDS - ST 350

THE USE OF NON U.L. PARTS WILL VOID ANY U.L. LISTING.

When ordering parts, please specify the model and serial number of the product.

* Indicates a component that is not available as an individual part.

G** Indicates consult Customer Service Department for additional information.

ITEM	PART NO.	1 2 3 4 5	DESCRIPTION	QTY.
61	00915-G1		BONDED WASHER, 1/4"	8
62	00903-G1		ACORN NUT, 1/4 - 20.....	4
63				
64				
65				
66	71719-G01		BED FRAME	1
67				
68	71772-G01		CORNER TUBE	2
69	00762-G9		SCREW, 5/16 - 18 X 2 1/2" LG (STAINLESS STEEL)	4
70	00559-G8		WASHER, 5/16"	4
71	00550-G3		LOCK NUT, 5/16 - 18	4
72				
73	71718-G01		END CAP, 1 1/2".....	2
74	71717-G01		END CAP, 1".....	2
75				
76	70396-G01		BED PIVOT	2
77	00764-G2		CARRIAGE BOLT, 5/16 - 18 X 1" LG	6
78	00559-G8		WASHER, 5/16"	6
79	01109-G01		LOCK NUT, 5/16 - 18 (STAINLESS STEEL)	6
80	70291-G01		FLANGED BUSHING	4
81	21682-G1		CLEVIS PIN, 1/2" X 2 7/8" LG	2
82	21683-G1		COTTER PIN, 15/32" X 2 13/16" LG	2
83				
84	71777-G01		LABEL (WARNING).....	1
85	71200-G01		LABEL (LOAD WARNING).....	1
86	74157-G01		SIDE RAIL SUPPORT	4
87	74161-G01		BACK RAIL SUPPORT	2
88	16705-G1		SCREW, 1/4 - 20 X 1" LG (STAINLESS STEEL)	12
89	01110-G01		WASHER, 1/4" (STAINLESS STEEL)	12
90	14390-G4		LOCK NUT, 1/4 - 20	12

TRUCK BEDS - ST 350

THE USE OF NON U.L. PARTS WILL VOID ANY U.L. LISTING.

When ordering parts, please specify the model and serial number of the product.

* Indicates a component that is not available as an individual part.

G** Indicates consult Customer Service Department for additional information.

ITEM	PART NO.	1	2	3	4	5	DESCRIPTION	QTY.
91								
92	74167-G01						SIDE CARGO RACK (PASSENGER SIDE)	1
93	74167-G02						SIDE CARGO RACK (DRIVER SIDE)	1
94	74079-G01						TAILGATE RETAINER BRACKET	2
95	00666-G6						SCREW, #10 - 12 X 3/4" LG (STAINLESS STEEL)	8
96	74162-G03						REAR CARGO RACK	1
97								
98								
99								
100	74165-G01						CIRCUIT BREAKER MOUNTING BRACKET	1
101	21320-G3						CIRCUIT BREAKER, 30 AMP, 12V	1
102	00150-G4						SCREW, #10 - 24 X 1/2" LG.....	2
103	00565-G5						LOCK WASHER, #10	2
104	00526-G3						NUT, #10 - 24	2
105	25976-G14						14 GA WIRE (RED 5").....	1
106								
107	27680-G01						TOGGLE SWITCH	1
108	27447-G01						TOGGLE GUARD.....	1
109	10570-G9						RIVET, 1/8" X 11/32" LG (ALUMINUM)	2
110								
111	27612-G02						ELECTRIC ACTUATOR, 12V.....	1
112	27613-G01						SPACER.....	2
113	14443-G10						CLEVIS PIN, 1/2" X 2 7/8" LG	1
114	21683-G1						COTTER PIN, 15/32" X 2 13/16" LG	2
115	14443-G11						CLEVIS PIN, 1/2" X 1 3/4" LG	1
116								
117	74163-G01						WIRE HARNESS (CONTROL).....	1
118	17618-G1						WIRE TIE	8
119								
120	71489-G01						LABEL (READ INSTRUCTIONS).....	1

TRUCK BEDS - ST 350

THE USE OF NON U.L. PARTS WILL VOID ANY U.L. LISTING.

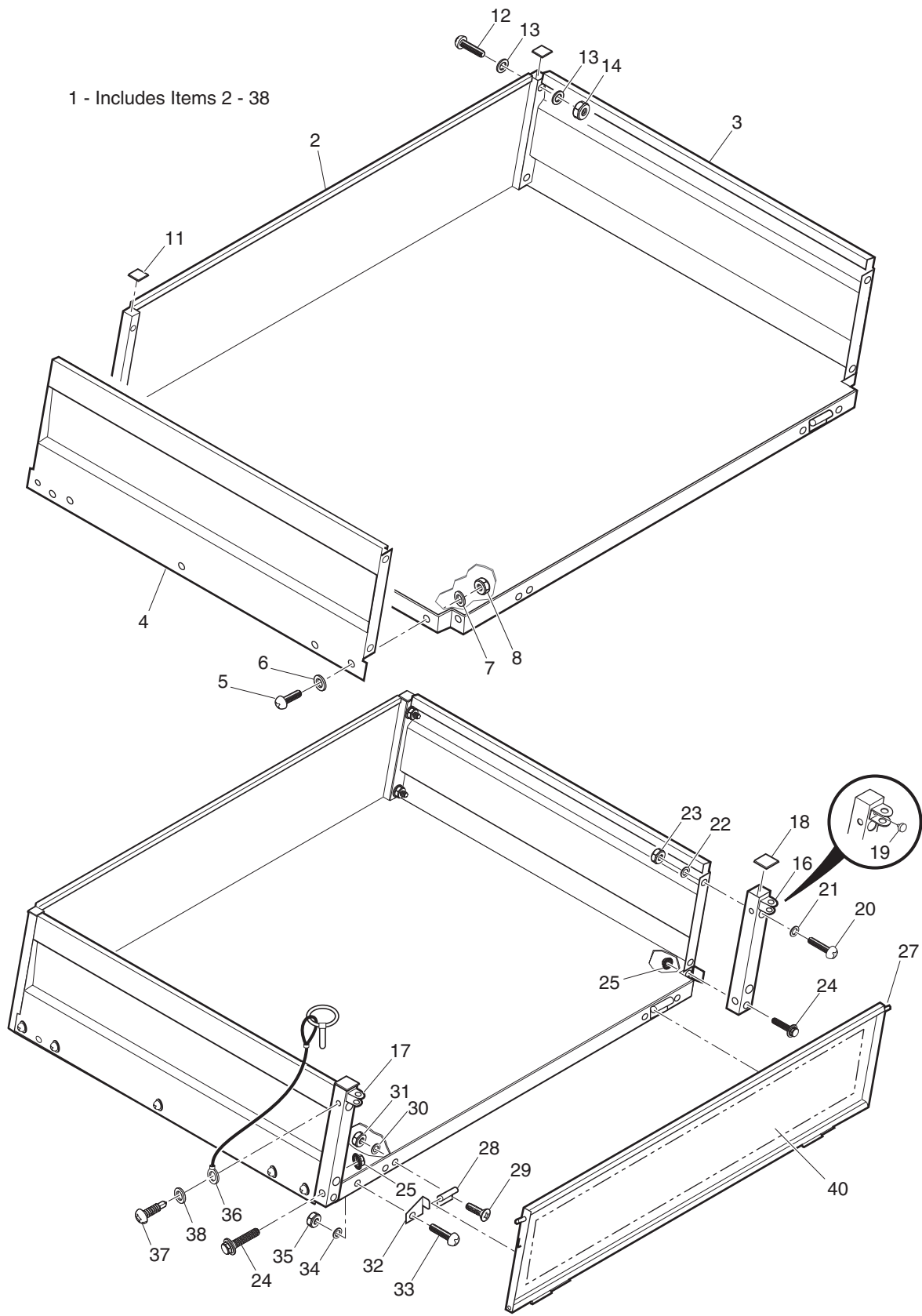
When ordering parts, please specify the model and serial number of the product.

* Indicates a component that is not available as an individual part.

G** Indicates consult Customer Service Department for additional information.

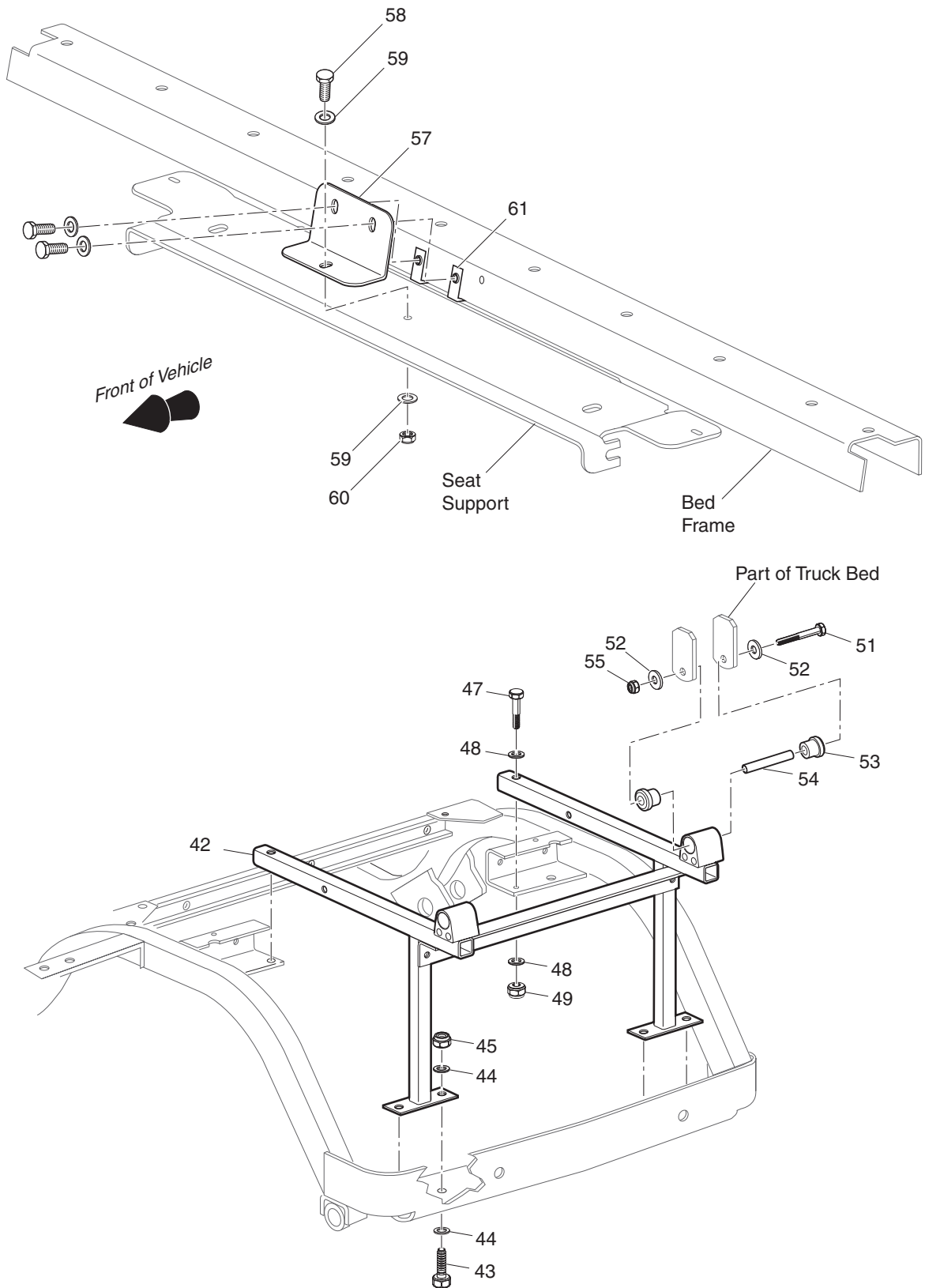
ITEM	PART NO.	1	2	3	4	5	DESCRIPTION	QTY.
121								
122								
123	71831-G01						BED LATCH	1
124	71704-G01						HANDLE GRIP	1
125	71827-G01						LATCH BRACKET	2
126	01014-G03						CARRIAGE BOLT, 1/4 - 20 X 3/4" LG	4
127	01110-G01						WASHER, 1/4" (STAINLESS STEEL)	4
128	14390-G4						LOCK NUT, 1/4 - 20	4
129	71707-G02						EXTENSION SPRING	2
130								
131	71766-G01						CATCH BRACKET	2
132	00414-G6						BOLT, 1/4 - 20 X 3/4" LG	4
133	01110-G01						WASHER, 1/4" (STAINLESS STEEL)	4
134	14390-G4						LOCK NUT, 1/4 - 20	4
135								
136	71673-G01						PROP BRACKET	1
137	71657-G01						PROP ROD	1
138	00560-G1						WASHER, 3/8"	1
139	15121-G1						WASHER, 3/8"	2
140	10387-G3						COTTER PIN, 3/32" X 3/4" LG	2

TRUCK BEDS - ST SPORT



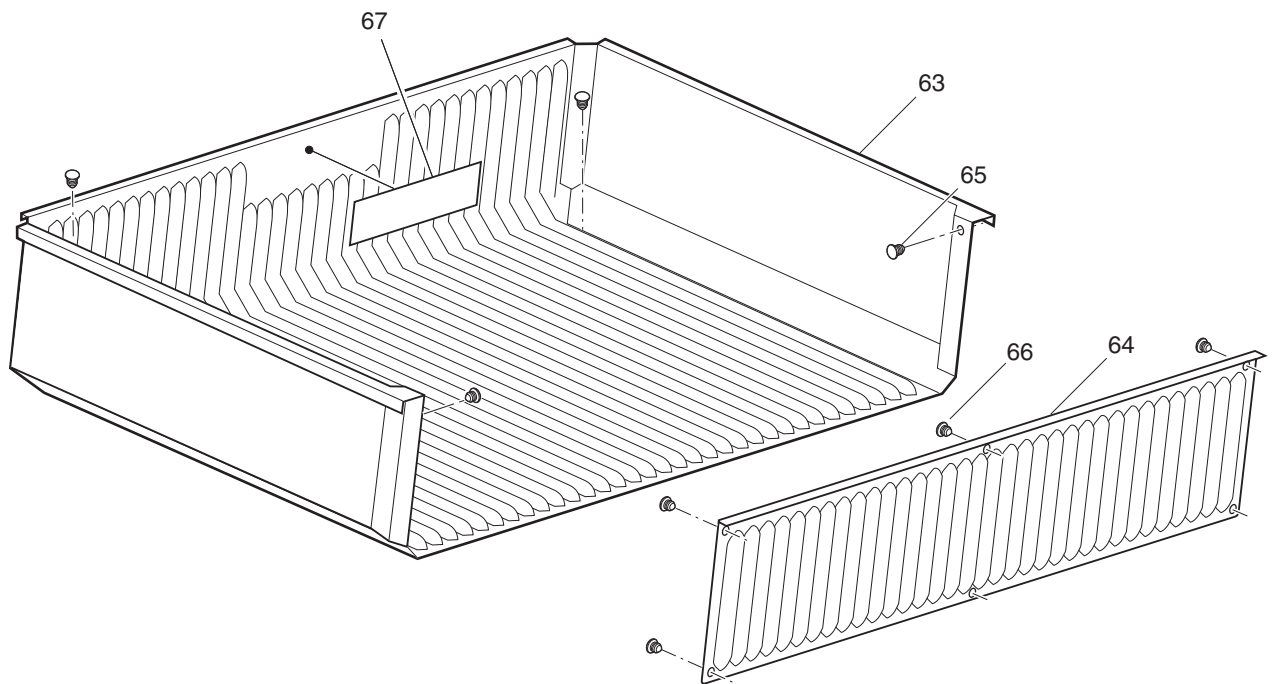
Ref Tbs 9-1

TRUCK BEDS - ST SPORT



Ref Tbs 9-2

TRUCK BEDS - ST SPORT



Ref Tbs 9-3

TRUCK BEDS - ST SPORT

THE USE OF NON U.L. PARTS WILL VOID ANY U.L. LISTING.

When ordering parts, please specify the model and serial number of the product.

* Indicates a component that is not available as an individual part.

G** Indicates consult Customer Service Department for additional information.

ITEM	PART NO.	1	2	3	4	5	DESCRIPTION	QTY.
1	71260-G01						TRUCK BED ASSEMBLY (35") (INCLUDES ITEMS 2 - 38)	1
2	71231-G01						BED (35")	1
3	71248-G01						SIDE PANEL (35") (PASSENGER SIDE)	1
4	71248-G02						SIDE PANEL (35") (DRIVER SIDE)	1
5	16705-G3						SCREW, 1/4 - 20 X 3/4" LG (STAINLESS STEEL)	10
6	00915-G1						BONDED WASHER, 1/4"	10
7	01110-G01						WASHER, 1/4" (STAINLESS STEEL)	10
8	14390-G4						LOCK NUT, 1/4 - 20	10
9								
10								
11	71717-G01						END CAP 1"	2
12	16705-G6						SCREW, 1/4 - 20 X 1 3/4" LG (STAINLESS STEEL)	4
13	00915-G1						BONDED WASHER, 1/4"	8
14	14390-G4						LOCK NUT, 1/4 - 20	4
15								
16	71322-G01						POST (PASSENGER SIDE)	1
17	71322-G02						POST (DRIVER SIDE)	1
18	71718-G01						END CAP 1 1/2"	2
19	71838-G01						RUBBER BUMPER	2
20	16705-G3						SCREW, 1/4 - 20 X 3/4" LG (STAINLESS STEEL)	4
21	00915-G1						BONDED WASHER, 1/4"	4
22	01110-G01						WASHER, 1/4" (STAINLESS STEEL)	4
23	14390-G4						LOCK NUT, 1/4 - 20	4
24	01074-G01						SCREW, 3/8 - 16 X 3/4" LG	4
25	11027-G5						LOCK NUT, 3/8 - 16	4
26								
27	71245-G01						TAILGATE	1
28	27666-G01						HINGE	2
29	01002-G08						BOLT, 1/4 - 20 X 1" LG	4
30	01110-G01						WASHER, 1/4" (STAINLESS STEEL)	4

TRUCK BEDS - ST SPORT

THE USE OF NON U.L. PARTS WILL VOID ANY U.L. LISTING.

When ordering parts, please specify the model and serial number of the product.

* Indicates a component that is not available as an individual part.

G** Indicates consult Customer Service Department for additional information.

ITEM	PART NO.	1 2 3 4 5	DESCRIPTION	QTY.
31	14390-G4		LOCK NUT, 1/4 - 20	4
32	71748-G01		TAILGATE KEEPER	1
33	16705-G3		SCREW, 1/4 - 20 X 3/4" LG (STAINLESS STEEL).....	1
34	01110-G01		WASHER, 1/4" (STAINLESS STEEL).....	1
35	14390-G4		LOCK NUT, 1/4 - 20	1
36	71083-G01		TAILGATE CABLE	2
37	00106-G6		SELF-TAPPING SCREW, #12 - 24 X 3/4" LG	2
38	00915-G1		BONDED WASHER, 1/4".....	2
39				
40	35978-G01		LABEL (WORKHORSE).....	1
41				
42	71258-G01		BED FRAME	1
43	00439-G2		BOLT, 5/16 - 18 X 1 1/4" LG	4
44	00642-G8		WASHER, 5/16"	8
45	01109-G01		LOCK NUT, 5/16 - 18 (STAINLESS STEEL)	4
46				
47	00415-G6		BOLT, 1/4 - 20 X 1 3/4" LG	2
48	00642-G7		WASHER, 1/4"	4
49	00654-G2		LOCK NUT, 1/4 - 20 (STAINLESS STEEL)	2
50				
51	00665-G9		BOLT, 3/8 - 16 X 3 1/2" (STAINLESS STEEL)	2
52	00643-G1		WASHER, 3/8"	4
53	70291-G01		FLANGED BUSHING	4
54	70289-G02		SPACER	2
55	11098-G5		LOCK NUT, 3/8 - 16	2
56				
57	74333-G01		BED BRACKET	1
58	00414-G6		BOLT, 1/4 - 20 X 3/4" LG	3
59	01110-G01		WASHER, 1/4" (STAINLESS STEEL)	4
60	14390-G04		LOCK NUT, 1/4 - 20	1

TRUCK BEDS - ST SPORT

THE USE OF NON U.L. PARTS WILL VOID ANY U.L. LISTING.

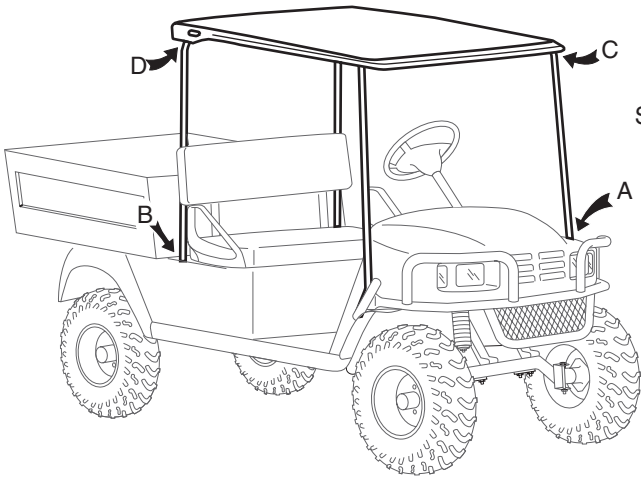
When ordering parts, please specify the model and serial number of the product.

* Indicates a component that is not available as an individual part.

G** Indicates consult Customer Service Department for additional information.

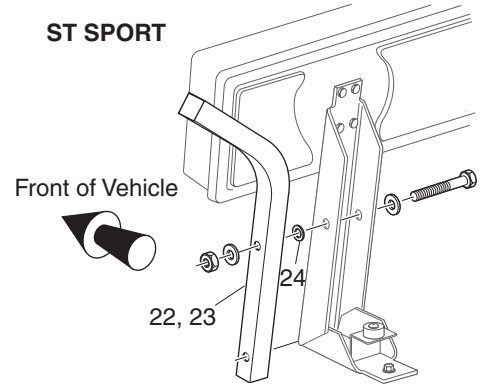
ITEM	PART NO.	1	2	3	4	5	DESCRIPTION	QTY.
61	14776-G1						'J' RETAINER NUT	2
62								
63	74231-G01						BED LINER	1
64	74232-G01						TAILGATE LINER	1
65	18436-G1						RIVET, 1/4" X 3/4" LG	4
66	14601-G10						RIVET, 3/16" X 7/16" LG (ALUMINUM)	6
67	71517-G04						BED CAPACITY LABEL (250 LB)	1

WEATHER PROTECTION

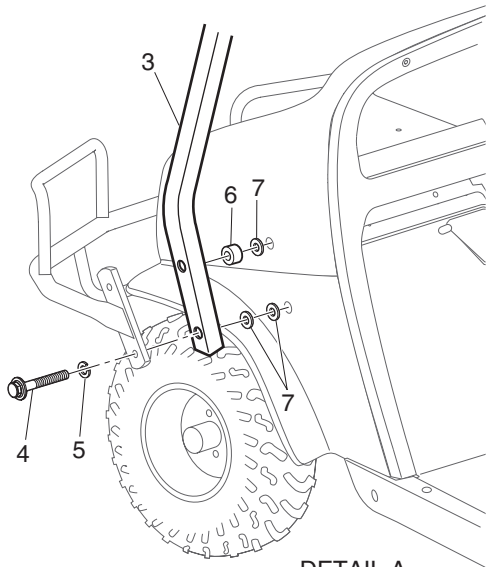
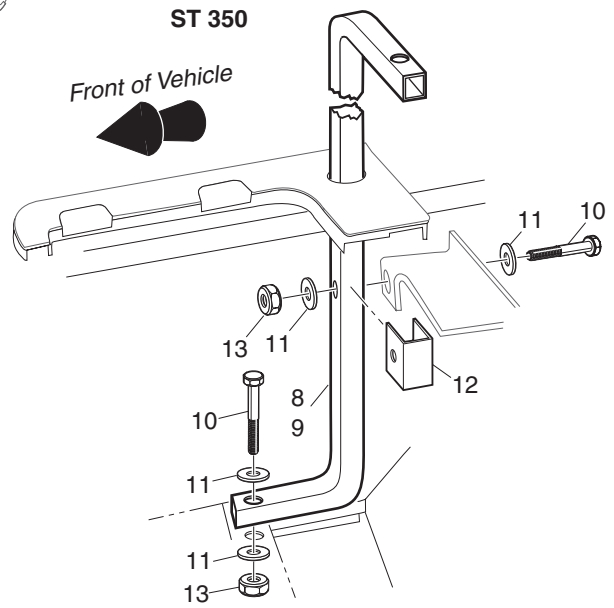


SUN TOP

ST SPORT

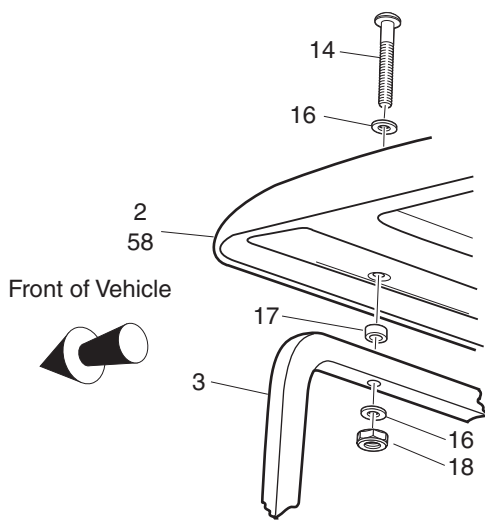


ST 350

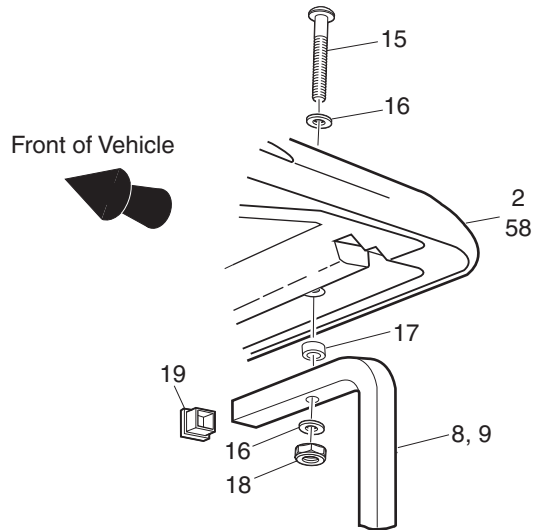


DETAIL A

DETAIL B



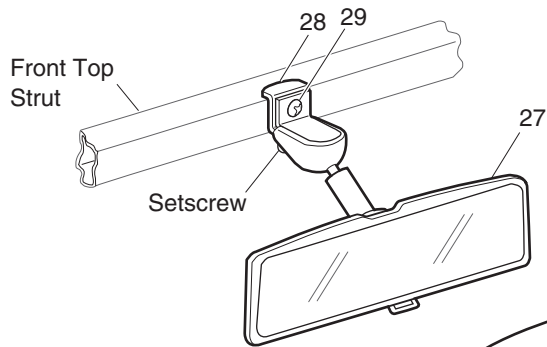
DETAIL C
(FRONT)



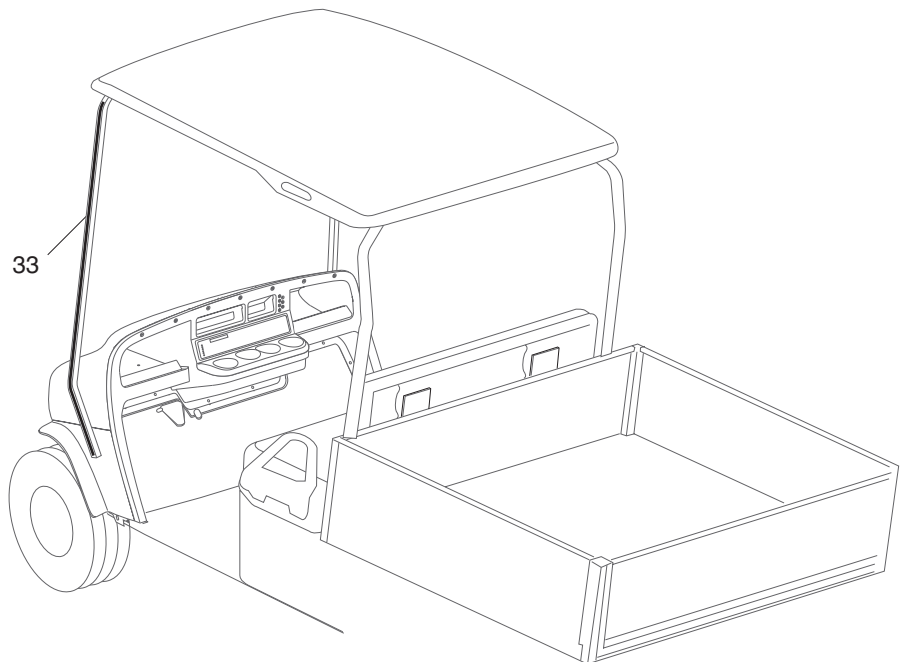
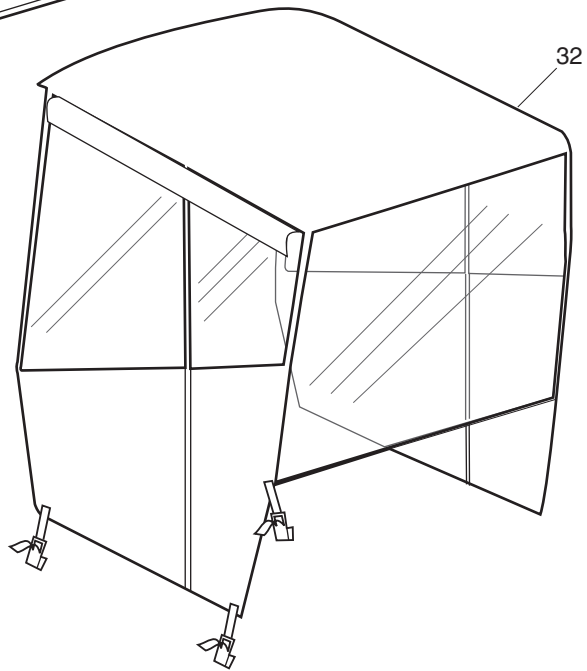
DETAIL D
(REAR)

Ref Wea 9-1

WEATHER PROTECTION



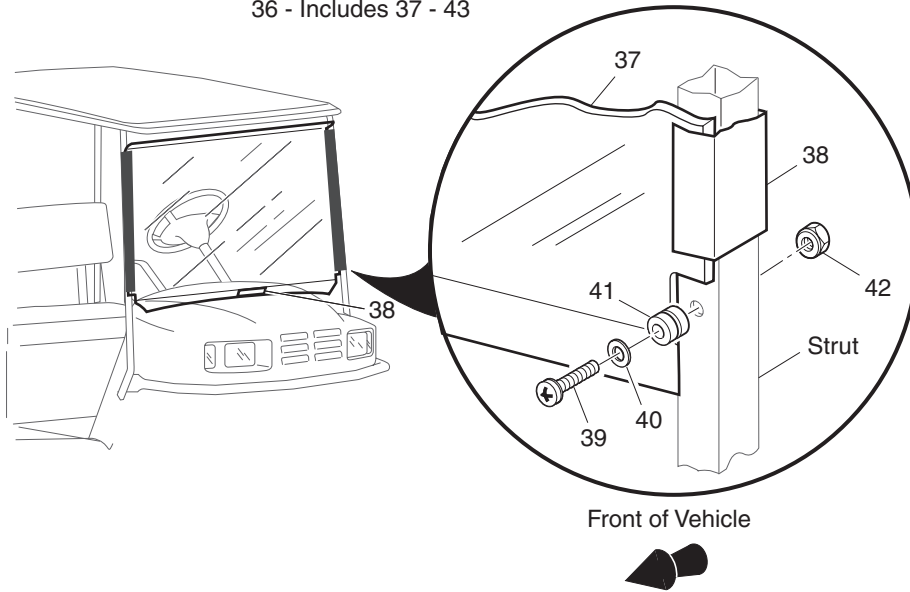
REAR VIEW MIRROR
26 - Includes Items 27 - 29



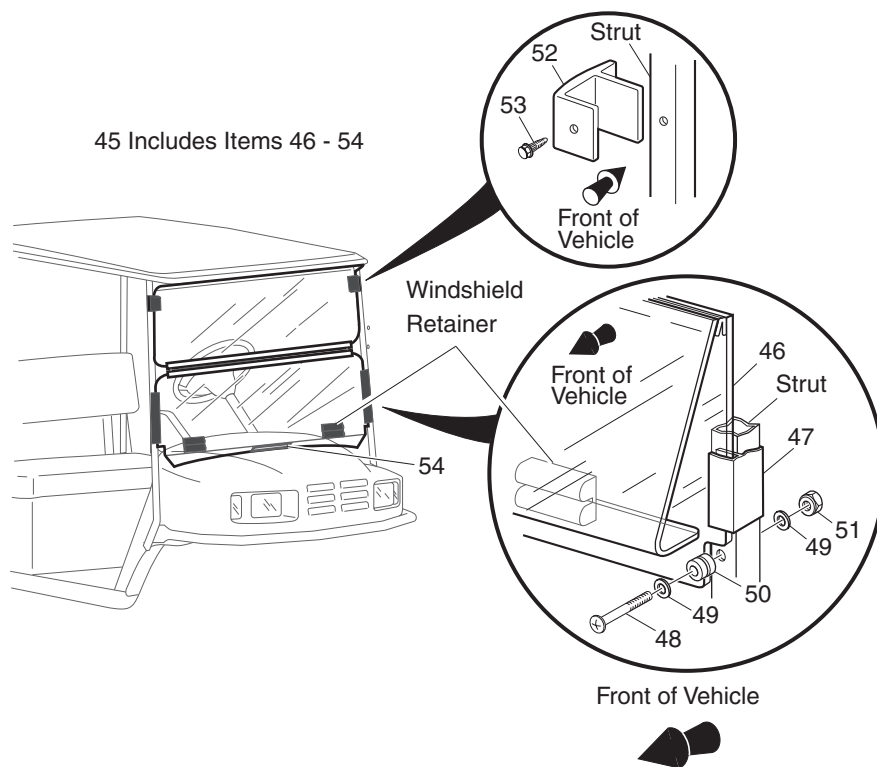
Ref Wea 9-2

WEATHER PROTECTION

36 - Includes 37 - 43

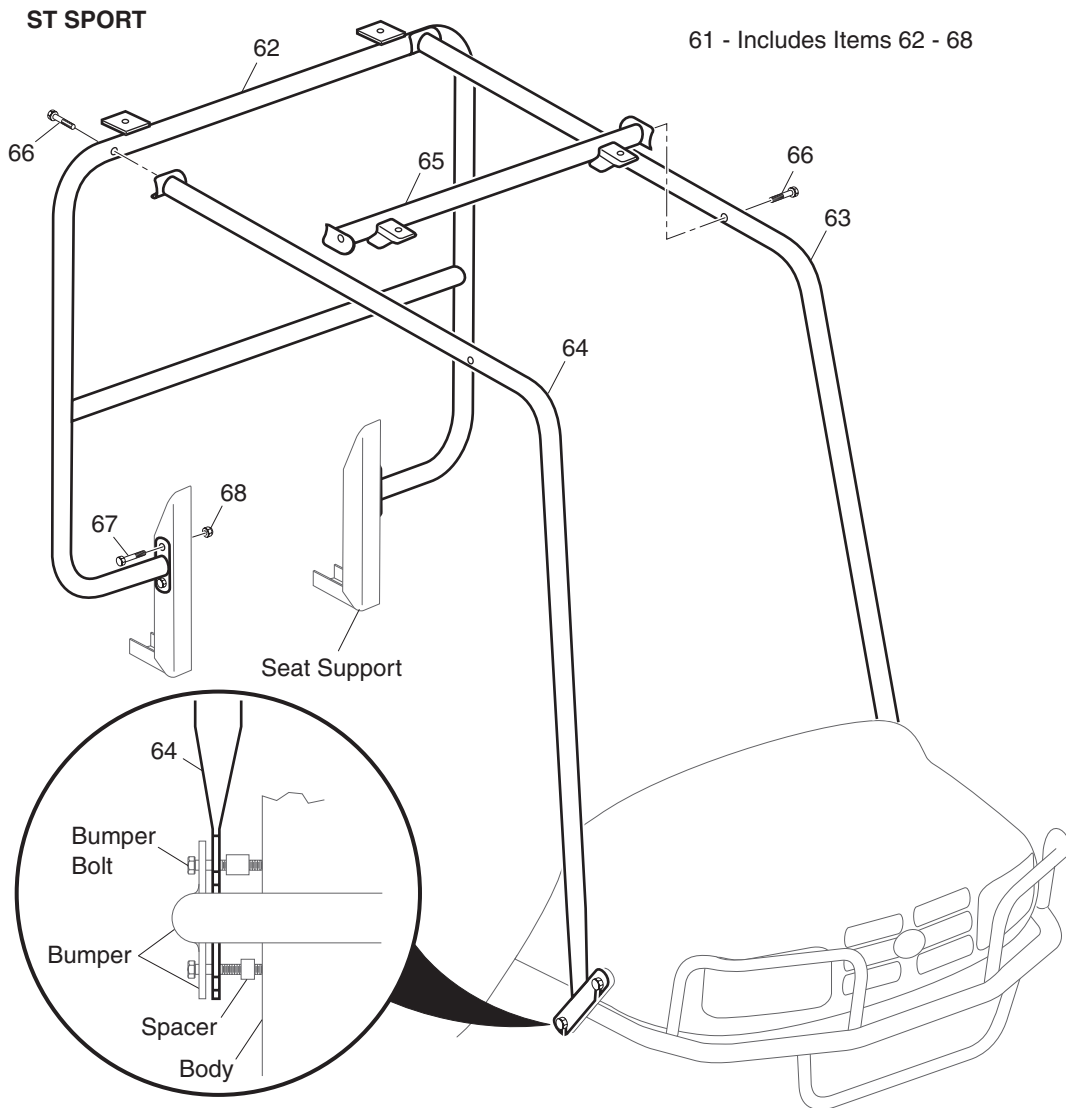


45 Includes Items 46 - 54



Ref Wea 9-3

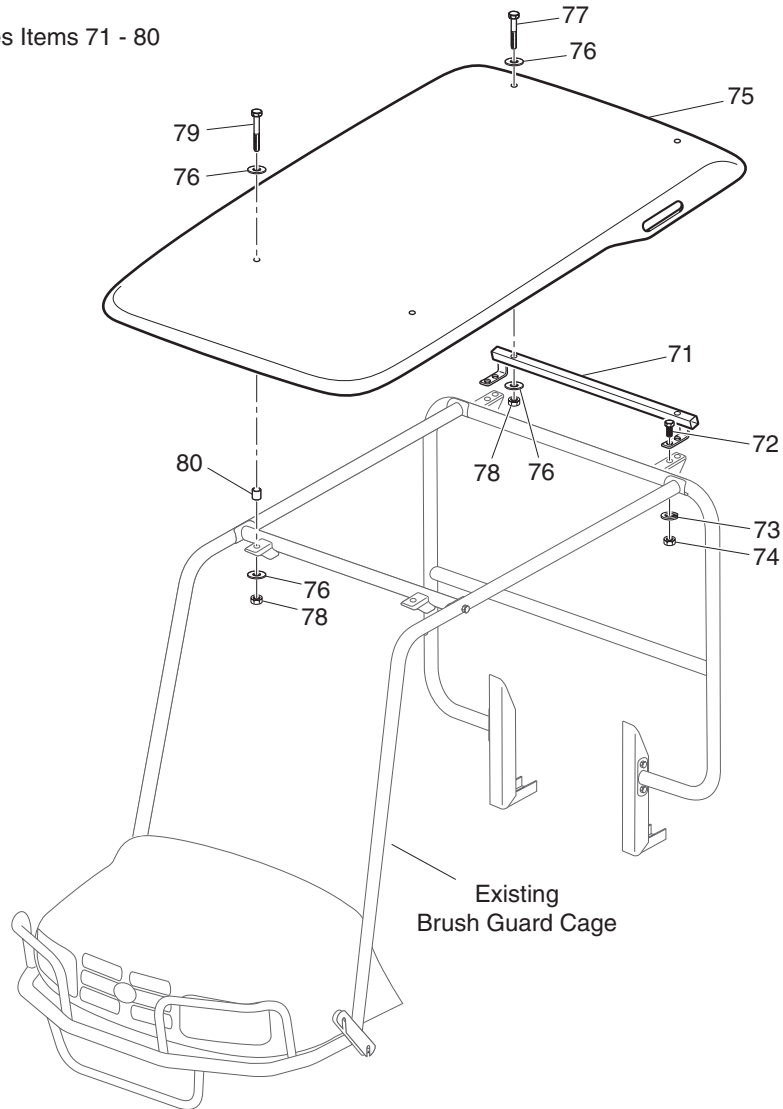
WEATHER PROTECTION



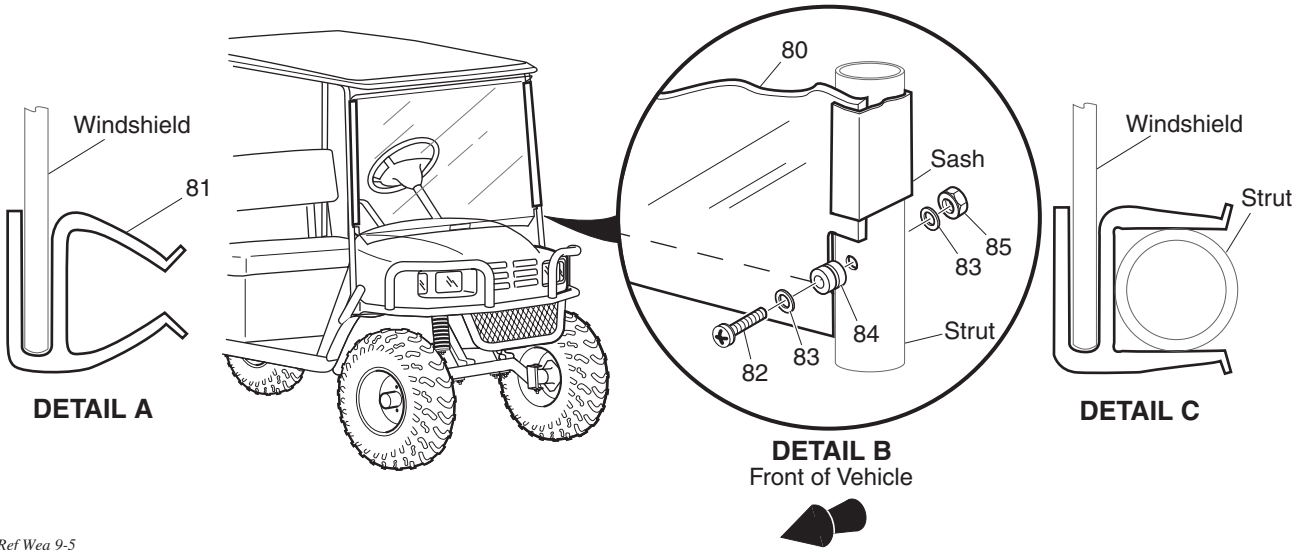
Ref Wea 9-4

WEATHER PROTECTION

70 - Includes Items 71 - 80



79 - Includes Items 80 - 85



Ref Wea 9-5

WEATHER PROTECTION

THE USE OF NON U.L. PARTS WILL VOID ANY U.L. LISTING.

When ordering parts, please specify the model and serial number of the product.

* Indicates a component that is not available as an individual part.

G** Indicates consult Customer Service Department for additional information.

ITEM	PART NO.	1	2	3	4	5	DESCRIPTION	QTY.
1	75350-G02						SUN TOP KIT (INCLUDES ITEMS 2 -19) (ST 350)	1
2	27069-G07						SUN TOP (TAN).....	1
3	75045-G01						FRONT STRUT.....	1
4	01035-G02						BOLT, 5/16 - 18 X 2 1/2" LG.....	4
5	00905-G8						LOCK WASHER, 5/16"	4
6	75048-G01						SPACER, 1/2"	2
7	00570-G2						WASHER, 5/16"	6
8	75343-G01						REAR STRUT (PASSENGER SIDE)	1
9	75343-G02						REAR STRUT (DRIVER SIDE).....	1
10	00685-G7						BOLT, 5/16 - 18 X 1 3/4" LG (STAINLESS STEEL)	4
11	01110-G03						WASHER, 5/16" (STAINLESS STEEL).....	8
12	74537-G01						BRACKET, REAR STRUT SUPPORT	2
13	01109-G01						LOCK NUT, 5/16 - 18 (STAINLESS STEEL).....	4
14	00753-G5						SCREW, 1/4 - 20 X 2" LG (STAINLESS STEEL).....	2
15	00753-G6						SCREW, 1/4 - 20 X 2 1/4" LG (STAINLESS STEEL).....	2
16	01110-G01						WASHER, 1/4" (STAINLESS STEEL).....	8
17	75051-G01						PLASTIC SPACER	4
18	00654-G2						LOCK NUT, 1/4 - 20 (STAINLESS STEEL).....	4
19	19853-G1						END CAP, 1"	2
20								
21	75040-G05						SUN TOP KIT (INCL ITEMS 2 -7, 10 - 11, 13 - 19, 22 - 24) (ST SPORT)	1
22	75838-G01						REAR STRUT (DRIVER SIDE).....	1
23	75838-G02						REAR STRUT (PASSENGER SIDE)	1
24	17255-G1						TEFLON WASHER, 3/8" X 5/8" X 5/16"	4
25								
26	19528-G2						REAR VIEW MIRROR KIT (INCLUDES ITEMS 27 -29)	1
27	19496-G1						REAR VIEW MIRROR	1
28	19502-G2						SUPPORT BRACKET.....	1
29	19527-G1						SCREW, #8 - 32 X 5/8" LG (STAINLESS STEEL).....	1
30								

WEATHER PROTECTION

Replacement parts for the windshield may be obtained from Eagle Parts, Inc. 1811 Wilkinson Rd. Augusta, GA 30904. Telephone (706) 729-9911 or FAX (706) 729-9955

* Indicates a component that is not available as an individual part.

G** Indicates consult Customer Service Department for additional information.

ITEM	PART NO.	1	2	3	4	5	DESCRIPTION	QTY.	
31	75367-G**	3 SIDED SOFT ENCLOSURE KIT (INCLUDES ITEMS 32 - 33).....							1
32	*	ENCLOSURE							1
33	*	VELCRO							AR
34									
35									
36	71966-G01	WINDSHIELD KIT (FULL) (INCLUDES ITEMS 37 - 43) (REQUIRES SUN TOP KIT)							1
37	71954-G01	WINDSHIELD (FULL) (LEXAN).....							1
38	EGWHC12	SASH, 26" LG							2
39	EGWHS12	SCREW, 1/4 - 20 X 1 3/4" LG (STAINLESS STEEL).....							2
40	EGWHW12	WASHER, 1/4" (STAINLESS STEEL)							4
41	EGWHG13	RUBBER GROMMET							2
42	EGWHN12	LOCK NUT, 1/4 - 20 (STAINLESS STEEL)							2
43	EGWHL14	SAFETY LABEL.....							1
44									
45	71966-G02	WINDSHIELD KIT (FOLD DOWN) (INCLUDES ITEMS 46 - 54) (REQUIRES SUN TOP KIT)							1
46	71955-G01	WINDSHIELD (SPLIT) (LEXAN).....							1
47	EGWHC10	SASH, 12" LG							2
48	EGWHS12	SCREW, 1/4 - 20 X 1 3/4" LG (STAINLESS STEEL).....							2
49	EGWHW12	WASHER, 1/4" (STAINLESS STEEL)							4
50	EGWHG13	RUBBER GROMMET							2
51	EGWHN12	LOCK NUT, 1/4 - 20 (STAINLESS STEEL)							2
52	137-010	TOP GRIP							2
53	136-008	GRIP FASTENER							2
54	EGWHL14	SAFETY LABEL.....							1
55									
56									
57	75350-G03	SUN TOP KIT (INCLUDES ITEMS 58, 3 -19) (ST 350).....							1
58	27069-G10	SUN TOP (BROWN).....							1
59									

WEATHER PROTECTION

Replacement parts for the windshield may be obtained from Eagle Parts, Inc. 1811 Wilkinson Rd. Augusta, GA 30904. Telephone (706) 729-9911 or FAX (706) 729-9955

* Indicates a component that is not available as an individual part.

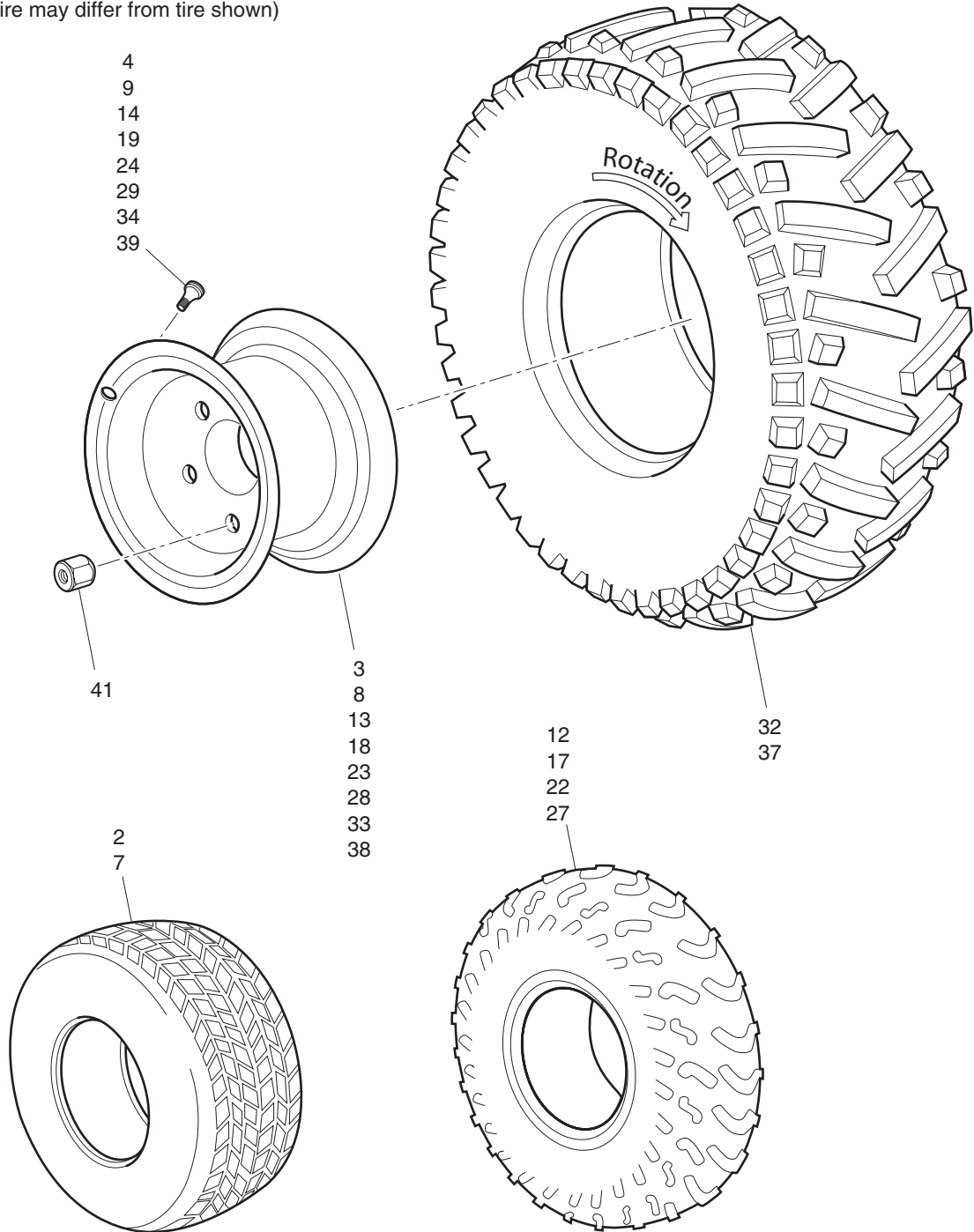
G** Indicates consult Customer Service Department for additional information.

ITEM	PART NO.	1	2	3	4	5	DESCRIPTION	QTY.
60								
61	74479-G01						BRUSH GUARD KIT (ST SPORT).....	1
62	74465-G01						BACK.....	1
63	74459-G01						SIDE (DRIVER SIDE).....	1
64	74460-G01						SIDE (PASSENGER SIDE)	1
65	74462-G01						TOP	1
66	00428-G2						BOLT, 3/8 - 16 X 2 1/4" LG	4
67	00438-G7						BOLT, 5/16 - 18 X 7/8" LG	4
68	01109-G01						LOCK NUT, 5/16 - 18 (STAINLESS STEEL)	4
69								
70	74496-G0*						SUN TOP KIT (WITH BRUSH GUARD).....	1
71	74466-G01						MOUNTING BRACKET	1
72	00438-G5						BOLT, 5/16 - 18 X 5/8" LG	4
73	00565-G8						LOCK WASHER, 5/16"	4
74	00532-G3						NUT, 5/16 - 18.....	4
75	74497-G0*						SUN TOP	1
76	01110-G01						WASHER, 1/4" (STAINLESS STEEL)	8
77	00753-G6						SCREW, 1/4 - 20 X 2 1/4" LG (STAINLESS STEEL).....	2
78	00654-G2						LOCK NUT, 1/4 - 20 (STAINLESS STEEL)	4
79	00753-G7						SCREW, 1/4 - 20 X 2 1/2" LG (STAINLESS STEEL).....	2
80	74469-G01						SPACER	2
81								
82	74542-G01						WINDSHIELD KIT (WITH BRUSH GUARD) (Replacement Parts available from Eagle Parts, 706-790-6687)	1
83	110-735A						WINDSHIELD (POLYCARBONATE)	1
84	EGWHC12						SASH, 26" LG	2
85	110-072E						SCREW, 1/4 - 20 X 1/2" LG (STAINLESS STEEL).....	2
86	EGWHG12						WASHER, 1/4" (STAINLESS STEEL)	4
87	EGWHG13						RUBBER GROMMET	2
88	EGWHN12						LOCK NUT, 1/4 - 20 (STAINLESS STEEL)	2

WHEELS AND TIRES

- 1 - Includes Items 2 - 4
- 6 - Includes Items 7 - 9
- 11 - Includes Items 12 - 14
- 16 - Includes Items 17 - 19
- 21 - Includes Items 22 - 24
- 26 - Includes Items 27 - 29
- 31 - Includes Items 32 - 34
- 36 - Includes Items 37 - 39

(Style of tire may differ from tire shown)



Ref Whl 9

WHEELS AND TIRES

THE USE OF NON U.L. PARTS WILL VOID ANY U.L. LISTING.

When ordering parts, please specify the model and serial number of the product.

* Indicates a component that is not available as an individual part.

G** Indicates consult Customer Service Department for additional information.

ITEM	PART NO.	1	2	3	4	5	DESCRIPTION	QTY.
1	28442-G03						WHEEL AND TIRE ASSEMBLY, TURF SAVER (INCLUDES ITEMS 2 - 4)	
2	28442-G02						TIRE, 20 X 10 - 10 TURF SAVER.....	1
3	15172-G02						WHEEL RIM (BLACK, 4 LUG).....	1
4	11657-G1						VALVE STEM.....	1
5								
6	28442-G04						WHEEL AND TIRE ASSEMBLY, TURF SAVER (INCLUDES ITEMS 7 - 9)	
7	28442-G02						TIRE, 20 X 10 - 10 TURF SAVER.....	1
8	15172-G03						WHEEL RIM (SILVER, 4 LUG)	1
9	11657-G1						VALVE STEM.....	1
10								
11	28513-G04						WHEEL AND TIRE ASSY (PASSENGER SIDE) (INCLUDES ITEMS 12 - 14)	
12	28513-G03						TIRE, 21 X 9 - 10 WORKMATE	1
13	15172-G02						WHEEL RIM (BLACK, 4 LUG).....	1
14	11657-G1						VALVE STEM.....	1
15								
16	28513-G05						WHEEL AND TIRE ASSEMBLY (DRIVER SIDE) (INCLUDES ITEMS 17 - 19)	
17	28513-G03						TIRE, 21 X 9 - 10 WORKMATE	1
18	15172-G02						WHEEL RIM (BLACK, 4 LUG).....	1
19	11657-G1						VALVE STEM.....	1
20								
21	28513-G06						WHEEL AND TIRE ASSY (PASSENGER SIDE) (INCLUDES ITEMS 22 - 24)	
22	28513-G03						TIRE, 21 X 9 - 10 WORKMATE	1
23	15172-G03						WHEEL RIM (SILVER, 4 LUG)	1
24	11657-G1						VALVE STEM.....	1
25								
26	28513-G07						WHEEL AND TIRE ASSEMBLY (DRIVER SIDE) (INCLUDES ITEMS 27 - 29)	
27	28513-G03						TIRE, 21 X 9 - 10 WORKMATE	1
28	15172-G03						WHEEL RIM (SILVER, 4 LUG)	1
29	11657-G1						VALVE STEM.....	1
30								

WHEELS AND TIRES

THE USE OF NON U.L. PARTS WILL VOID ANY U.L. LISTING.

When ordering parts, please specify the model and serial number of the product.

* Indicates a component that is not available as an individual part.

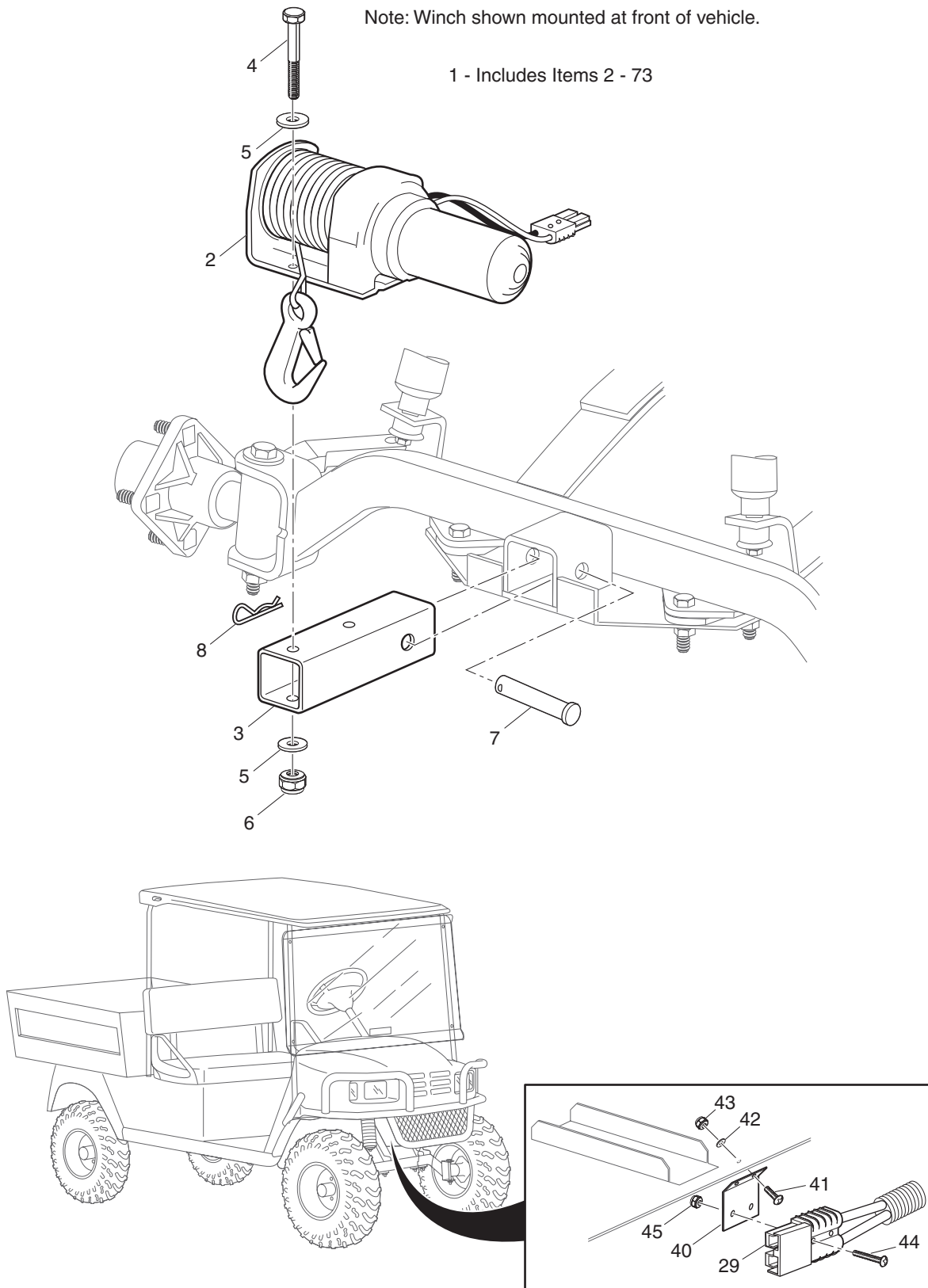
G** Indicates consult Customer Service Department for additional information.

ITEM	PART NO.	1	2	3	4	5	DESCRIPTION	QTY.
31	28630-G04						WHEEL AND TIRE ASSEMBLY (DRIVER SIDE) (INCLUDES ITEMS 32 - 34)	
32	28630-G01						TIRE, 22 X 9 - 10 STRYKER	1
33	15172-G02						WHEEL RIM (BLACK, 4 LUG)	1
34	11657-G1						VALVE STEM	1
35								
36	28630-G05						WHEEL AND TIRE ASSY (PASSENGER SIDE) (INCLUDES ITEMS 37 - 39)	
37	28630-G01						TIRE, 22 X 9 - 10 STRYKER	1
38	15172-G02						WHEEL RIM (BLACK, 4 LUG)	1
39	11657-G1						VALVE STEM	1
40								
41	14723-G1						LUG NUT, 1/2 - 20	AR

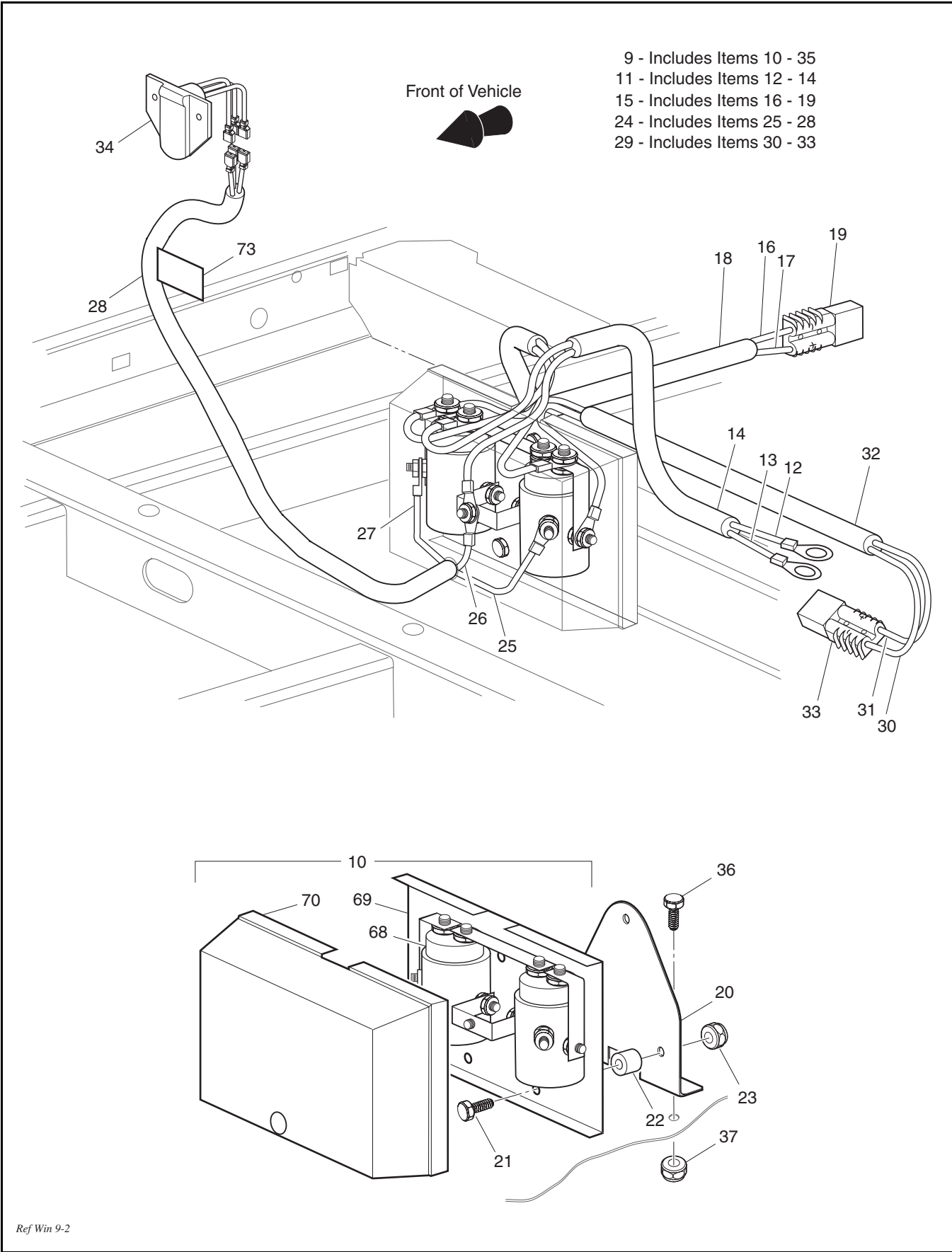
WINCH - ST 350

Note: Winch shown mounted at front of vehicle.

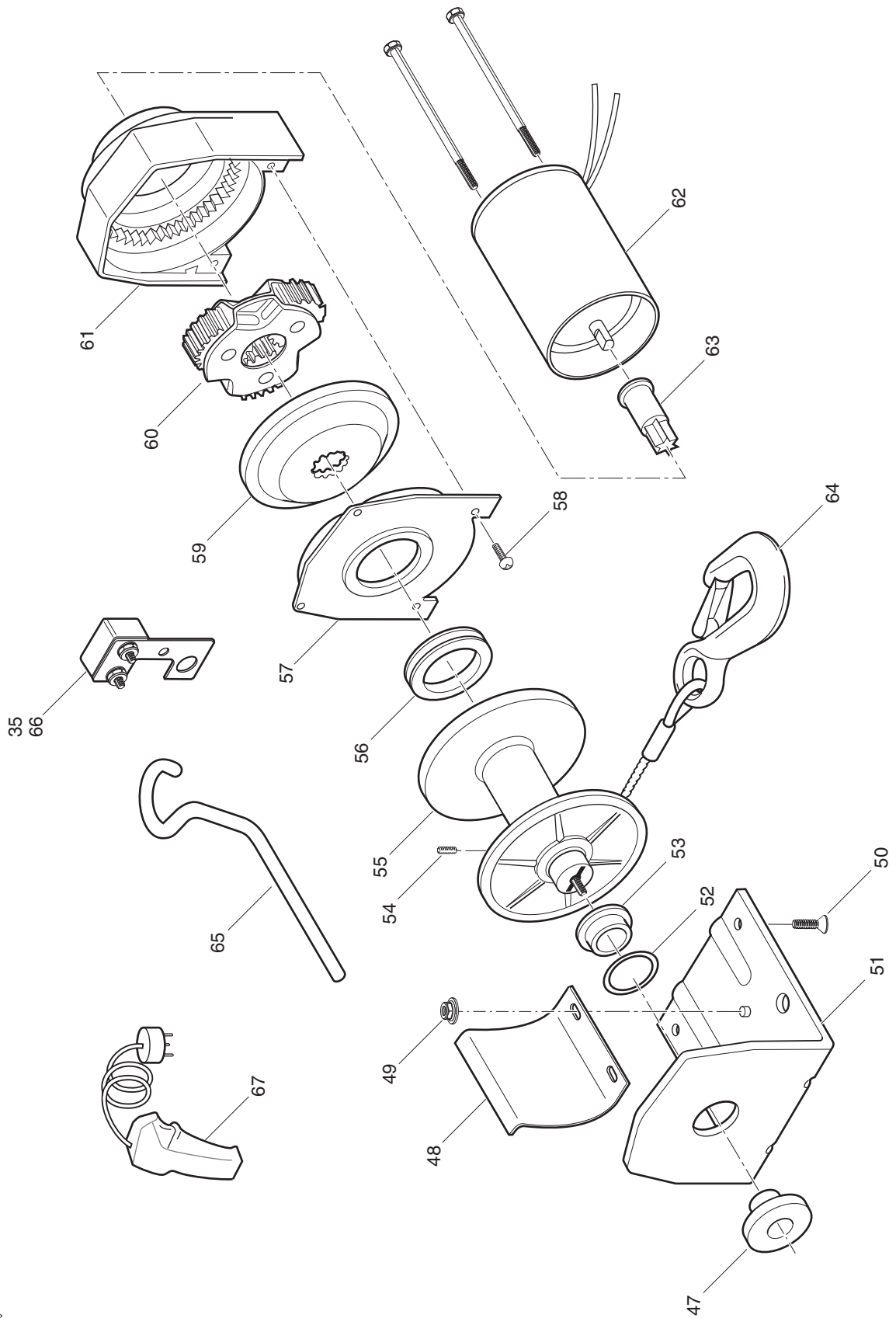
1 - Includes Items 2 - 73



Ref Win 9-1



WINCH - ST 350



Ref Win 9-3

When ordering parts, please specify the model and serial number of the product.

* Indicates a component that is not available as an individual part.

G** Indicates consult Customer Service Department for additional information.

ITEM	PART NO.	1 2 3 4 5	DESCRIPTION	QTY.
1	74259-G02		WINCH KIT (INCLUDES ITEMS 2 - 73) (ST 350).....	1
2	74299-G01		WINCH ASSEMBLY, T1500.....	1
3	74271-G01		WINCH MOUNTING TUBE.....	1
4	00440-G6		BOLT, 5/16 - 18 X 2 3/4" LG.....	2
5	01110-G03		WASHER, 5/16" (STAINLESS STEEL).....	4
6	00891-G3		LOCK NUT, 5/16 - 18.....	2
7	21317-G1		CLEVIS PIN, 5/8" x 3" LG.....	1
8	21683-G1		COTTER PIN, 15/32" X 2 13/16" LG.....	1
9	74286-G02		REMOTE SOLENOID (INCLUDES ITEMS 10 - 35).....	1
10	74256-G02		SOLENOID KIT.....	1
11	74327-G01		WIRE HARNESS (SOLENOID to BATTERY) (INCLUDES 12 - 14).....	1
12	25973-G07		8 GA WIRE (BLACK 30").....	1
13	25973-G08		8 GA WIRE (RED 30").....	1
14	20436-G1		FLEX LOOM (BULK), 13".....	1
15	74328-G01		WIRE HARNESS (SOLENOID to REAR WINCH) (INCLUDES 16 - 19)	1
16	25973-G09		8 GA WIRE (BLACK 67").....	1
17	25973-G10		8 GA WIRE (RED 67").....	1
18	20436-G1		FLEX LOOM (BULK), 49".....	1
19	73235-G01		CONNECTOR.....	1
20	74326-G01		MOUNTING BRACKET.....	1
21	00414-G6		BOLT, 1/4 - 20 X 3/4" LG.....	3
22	23726-G1		SPACER, 1/4".....	3
23	14390-G4		LOCK NUT, 1/4 - 20.....	3
24	74298-G01		WIRE HARNESS (SOLENOID to RECEPTACLE) (INCLUDES 25-28)	1
25	25977-G63		16 GA WIRE (GREEN 14").....	1
26	25977-G64		16 GA WIRE (WHITE 14").....	1
27	25977-G65		16 GA WIRE (BLACK 14").....	1
28	17313-G1		FLEX LOOM (BULK), 4".....	1
29	74329-G01		WIRE HARNESS (SOLENOID to FRONT WINCH) (INCLUDES 30-33)	1
30	25973-G11		8 GA WIRE (BLACK 94").....	1

WINCH - ST 350

When ordering parts, please specify the model and serial number of the product.

* Indicates a component that is not available as an individual part.

G** Indicates consult Customer Service Department for additional information.

ITEM	PART NO.	1	2	3	4	5	DESCRIPTION	QTY.
31	25973-G12						8 GA WIRE (RED 94")	1
32	20436-G1						FLEX LOOM, 75 5/8" (BULK)	1
33	73235-G01						CONNECTOR	1
34	74285-G01						RECEPTACLE WITH LEADS (GREEN, WHITE, BLACK)	1
35	*						CIRCUIT BREAKER WITH BRACKET	1
36	00414-G5						BOLT, 1/4 - 20 X 5/8" LG	2
37	14390-G4						LOCK NUT, 1/4 - 20	2
38								
39								
40	74289-G01						CONNECTOR MOUNT PLATE	1
41	00740-G4						SCREW, #10 - 32 X 1/2" LG (STAINLESS STEEL)	2
42	00559-G5						WASHER, #10	2
43	00921-G8						LOCK NUT, #10 - 32	2
44	00156-G8						SCREW, #10 - 32 X 1" LG	2
45	00526-G4						NUT, #10 - 32	2
46							<p>The following items are replacement components for the winch. For service or replacement parts, contact Superwinch, Inc., Winch Drive, Putnam, CT 06260 Phone: (860) 928-7787, FAX: (860) 928-1143</p> <p>Always provide the following information when requesting information or ordering replacement parts:</p> <p>Winch Part Number: T1500 Serial Number: (found on housing) Part Number and Description</p>	
47	87-10490						KNOB ASSEMBLY, T-SERIES F/W	1
48	87-22381						TENSION PLATE	1
49	87-23149-05						NUT, HEX, FLANGED, M5 X 0.8	2
50	89-22291-01						SCREW, ST HEX SKY FH, M6 X 1 X 20	2
51	87-22394						BASEPLATE ASSEMBLY, T-SERIES	1
52	AS REQ'D						WASHER, .020 OR .030 THICK	A/R
53	87-10466						BUSHING, T-SERIES	1

When ordering parts, please specify the model and serial number of the product.

* Indicates a component that is not available as an individual part.

G** Indicates consult Customer Service Department for additional information.

ITEM	PART NO.	1	2	3	4	5	DESCRIPTION	QTY.
54	87-23309-01						SET SCREW, M5 X 0.8 X 6	1
55	87-22397						DRUM ASSEMBLY	1
56	87-10470						DRUM SUPPORT BUSHING	1
57	87-33257						DRUM SUPPORT PLATE	1
58	87-23030-10						SCREW, ST PAN HEAD, M4 X 0.7 X 10	4
59	87-33251						ROTATOR GEAR, T-SERIES	1
60	87-22380						CARRIER ASSEMBLY, T-SERIES.....	1
61	87-22396						STATIONARY GEAR HOUSING ASSEMBLY, T-SERIES.....	1
62	87-33249						MOTOR, 12 VOLT	1
63	87-22401						MOTOR PINION GEAR	1
64	1535A						WIRE ROPE AND HOOK ASSEMBLY, 5/32" X 25 FEET.....	1
65	89-32300						HANSAVER BAR	1
66	90-22873-03						CIRCUIT BREAKER ASSEMBLY, 12 VOLT, T-SERIES	1
67	90-22117						REMOTE CONTROL ASSEMBLY	1
68	92-20172						SOLENOID, 12 VOLT	2
69	90-32070						SOLENOID BACK PLATE	1
70	90-31079						SOLENOID COVER.....	1
71								
72								
73	71489-G01						LABEL (READ INSTRUCTIONS)	1

SPECIALTY PRODUCTS

SPECIALTY PRODUCTS

SPECIALTY PRODUCTS

SPECIAL TOOLS	PART NO.
HIGH RESISTANCE SPARK PLUG WIRE SET	26733-G02
CLUTCH PULLER (DRIVE)	19779-G2
FLYWHEEL PULLER	27111-G01
CURRENT INDICATOR	16489-G2
DIGITAL MULTI-METER	27481-G01
SLIDE HAMMER (AXLE/HUB REMOVAL)	15947-G1
SLIDE HAMMER (AXLE REMOVAL ONLY)	18753-G1
COMPRESSION TESTER	72524-G01
FEELER GAUGE	72525-G01
TACHOMETER	72526-G01

ENGINE OIL	PART NO.
4 CYCLE ENGINE OIL, 5 GALLON (19 LITER)	25730-G03
4 CYCLE ENGINE OIL, 12 QUART CASE	25730-G04
4 CYCLE ENGINE OIL, 1 QUART BOTTLE (950 ML)	25730-G06

TOUCH UP PAINT	PART NO.
PEN 3 OUNCE (89 ML) - HUNTER GREEN	28432-G02
PEN 3 OUNCE (89 ML) - CHAMPAGNE BEIGE	28432-G01
PEN 3 OUNCE (89 ML) - WHITE	28432-G05
PEN 3 OUNCE (89 ML) - INDUSTRIAL YELLOW	28432-G03
PEN 3 OUNCE (89 ML) - ORANGE	28432-G04
PEN 3 OUNCE (89 ML) - STEEL BLUE PEARL	28432-G**
PEN 3 OUNCE (89 ML) - CAMOUFLAGE PAINT (THREE PENS)	75831-G01
AEROSOL 12 OUNCE (360 ML) - HUNTER GREEN	28140-G09
AEROSOL 12 OUNCE (360 ML) - CHAMPAGNE BEIGE	28140-G15
AEROSOL 12 OUNCE (360 ML) - WHITE	28140-G03
AEROSOL 12 OUNCE (360 ML) - INDUSTRIAL YELLOW	28140-G14
AEROSOL 12 OUNCE (360 ML) - ORANGE	28140-G13
AEROSOL 12 OUNCE (360 ML) - STEEL BLUE PEARL	28140-G**

SPECIALTY PRODUCTS

MAINTENANCE PRODUCTS	PART NO.
FORMULA 40 VINYL-COAT® - WHITE	28166-G01
PLEXUS® CLEANER, 7 OUNCE (210 ML) (FOR WINDSHIELDS)	28433-G01
PLEXUS® CLEANER, 13 OUNCE (380 ML) (FOR WINDSHIELDS)	28433-G02
BATTERY PROTECTOR, 14 OUNCE (410 ML) SPRAY	75500-G01
CARBURETOR & CHOKE CLEANER, 15 OUNCE (440 ML) SPRAY	75501-G01
WHITE LITHIUM GREASE, 14 OUNCE (410 ML) SPRAY	75502-G01
PENETRANT/LUBRICANT, 15 OUNCE (440 ML) SPRAY	75503-G01
MULTI-PURPOSE CLEANER & DEGREASER, 14 OUNCE (410 ML) SPRAY	75504-G01
MULTI-PURPOSE HAND CLEANER, 32 OUNCE (950 ML) LIQUID	75505-G01
BATTERY CLEANER, 32 OUNCE (950 ML) WITH TRIGGER SPRAYER	75506-G01
BIO-DEGRADABLE CLEANER, 32 OUNCE (950 ML) WITH TRIGGER SPRAYER	75507-G01
MULTI-PURPOSE VALUE PACK.....	75508-G01
• BATTERY PROTECTOR, 4 OUNCE (120 ML) SPRAY	
• PENETRANT/LUBRICANT, 4 OUNCE (120 ML) SPRAY	
• WHITE LITHIUM GREASE, 4 OUNCE (120 ML) SPRAY	
• CARBURETOR & CHOKE CLEANER, 4 OUNCE (120 ML) SPRAY	

OPTIONS/ACCESSORIES

OPTIONS/ACCESSORIES

OPTIONS/ACCESSORIES

ITEM	KIT NO.	COMMENTS
ACCESSORY LIST	KIT NO.	LOCATION IN MANUAL
ASHTRAY KIT.....	75109-G02.....	See BODY
BALL HITCH KIT.....	75326-G02.....	See BODY
CARGO BED COVER.....	73521-G01	
CARGO TRAILER (STEEL).....	74486-G01	
CARGO TRAILER (POLY).....	74487-G01	
CONSOLE POWER OUTLET.....	71079-G01.....	See ELECTRICAL SYSTEM
DEFROSTER/COOLING FAN.....	74248-G01.....	See CAB (FLAT WINDSHIELD)
DOME LIGHT.....	20495-G2.....	See CAB (FLAT WINDSHIELD)
DOOR SET (STEEL).....	74301-G0*.....	See CAB (FLAT WINDSHIELD)
DOOR SET (STEEL).....	75856-G0*.....	See CAB (CURVED WINDSHIELD)
DOOR SET (VINYL).....	74242-G01.....	See CAB (FLAT WINDSHIELD)
DOOR SET (VINYL).....	75855-G01.....	See CAB (CURVED WINDSHIELD)
GLOVE BOX DOOR.....	75459-G0*.....	See BODY
GUN HOLDER.....	74365-G01	
HITCH KITS.....	74492-G0*.....	See BODY
HOUR METER KIT.....	75114-G02.....	See ELECTRICAL SYSTEM
RECTANGULAR SIDE MIRROR KIT.....	27924-G01.....	See CAB (FLAT WINDSHIELD)
INSTRUMENT/SWITCH PANEL.....	74250-G01.....	See CAB (FLAT WINDSHIELD)
LIGHT BAR.....	75354-G0*.....	See ELECTRICAL
REAR VIEW MIRROR KIT (REQUIRES SUN TOP KIT).....	19528-G2.....	See WEATHER PROTECTION
SOFT ENCLOSURE (3 SIDED).....	75367-G0*.....	See WEATHER PROTECTION
STEEL CAB, W/O DOORS.....	75854-G0*.....	See CAB (CURVED WINDSHIELD)
STROBE LIGHT.....	74245-G01.....	See CAB (FLAT WINDSHIELD)
SUN TOP KIT (CAMO).....	75378-G0*.....	See WEATHER PROTECTION
SUN TOP KIT (ST 350).....	75350-G02.....	See WEATHER PROTECTION
SUN TOP KIT (ST SPORT).....	75040-G05.....	See WEATHER PROTECTION
TURN SIGNAL KIT.....	75107-G02.....	See ELECTRICAL SYSTEM
WINCH.....	74259-G02.....	See WINCH (ST 350)
WINDSHIELD KIT (REQUIRES SUN TOP KIT).....	71966-G0*.....	See WEATHER PROTECTION
FOLD DOWN WINDSHIELD KIT (REQUIRES SUN TOP KIT).....	71966-G0*.....	See WEATHER PROTECTION
WINDSHIELD WIPER.....	74244-G01.....	See CAB (FLAT WINDSHIELD)

OPTIONS/ACCESSORIES

ITEM	KIT NO.	COMMENTS
WORK LIGHTS	74247-G01	See CAB (FLAT WINDSHIELD)
ALUMINUM TOOLBOX.....	75454-G02.....	See TRUCKBEDS (ST 350)

OPTIONS/ACCESSORIES

ITEM

KIT NO.

COMMENTS

INDEX OF MAJOR COMPONENTS

INDEX OF MAJOR COMPONENTS

BY PART DESCRIPTION



A Textron Company

E-Z-GO Division of Textron, Inc.
P.O. Box 388 Augusta, Georgia 30903-0388 USA
Inside USA Phone: 1-800-241-5855, FAX: 1-800-448-8124
Outside USA Phone: 010-1-706-798-4311, FAX: 010-1-706-771-4609

Copyrighted Material
This manual may not be reproduced in whole or
in part without the express permission of
E-Z-GO Division of Textron, Inc.
Technical Communications Department