



CUSHMAN™

Gasoline Service Parts Manual



624952

ISSUED: SEPTEMBER 2011

REVISED: FEBRUARY 2012

SERVICE PARTS MANUAL

GASOLINE POWERED UTILITY VEHICLE

HAULER 800

STARTING MODEL YEAR 2012

DISCLAIMER: The E-Z-GO Division of Textron Inc. (E-Z-GO) reserves the right to incorporate engineering and design changes to products in this Manual, without obligation to include these changes on units leased/sold previously.

The information contained in this Manual may be revised periodically E-Z-GO, and therefore is subject to change without notice.

E-Z-GO DISCLAIMS LIABILITY FOR ERRORS IN THIS MANUAL, and E-Z-GO SPECIFICALLY DISCLAIMS LIABILITY FOR INCIDENTAL AND CONSEQUENTIAL DAMAGES RESULTING FROM THE USE OF THE INFORMATION AND MATERIALS IN THIS MANUAL.

TO CONTACT US

NORTH AMERICA:

TECHNICAL ASSISTANCE & WARRANTY PHONE: 1-800-774-3946, FAX: 1-800-448-8124

SERVICE PARTS PHONE: 1-888-GET-EZGO (1-888-438-3946), FAX: 1-800-752-6175

INTERNATIONAL: PHONE: 001-706-798-4311, FAX: 001-706-771-4609

E-Z-GO DIVISION OF TEXTRON INC., 1451 MARVIN GRIFFIN RD., AUGUSTA, GEORGIA USA 30906-3852

GENERAL INFORMATION

To obtain a copy of the limited warranty applicable to the vehicle, call or write a local Distributor, authorized Branch or the Warranty Department with vehicle serial number and manufacturer code.

The use of non Original Equipment Manufacturer (OEM) parts may void the warranty.

Overfilling of batteries may void the warranty.

BATTERY PROLONGED STORAGE

All batteries will self discharge over time. The rate of self discharge varies depending on the ambient temperature and the age and condition of the batteries.

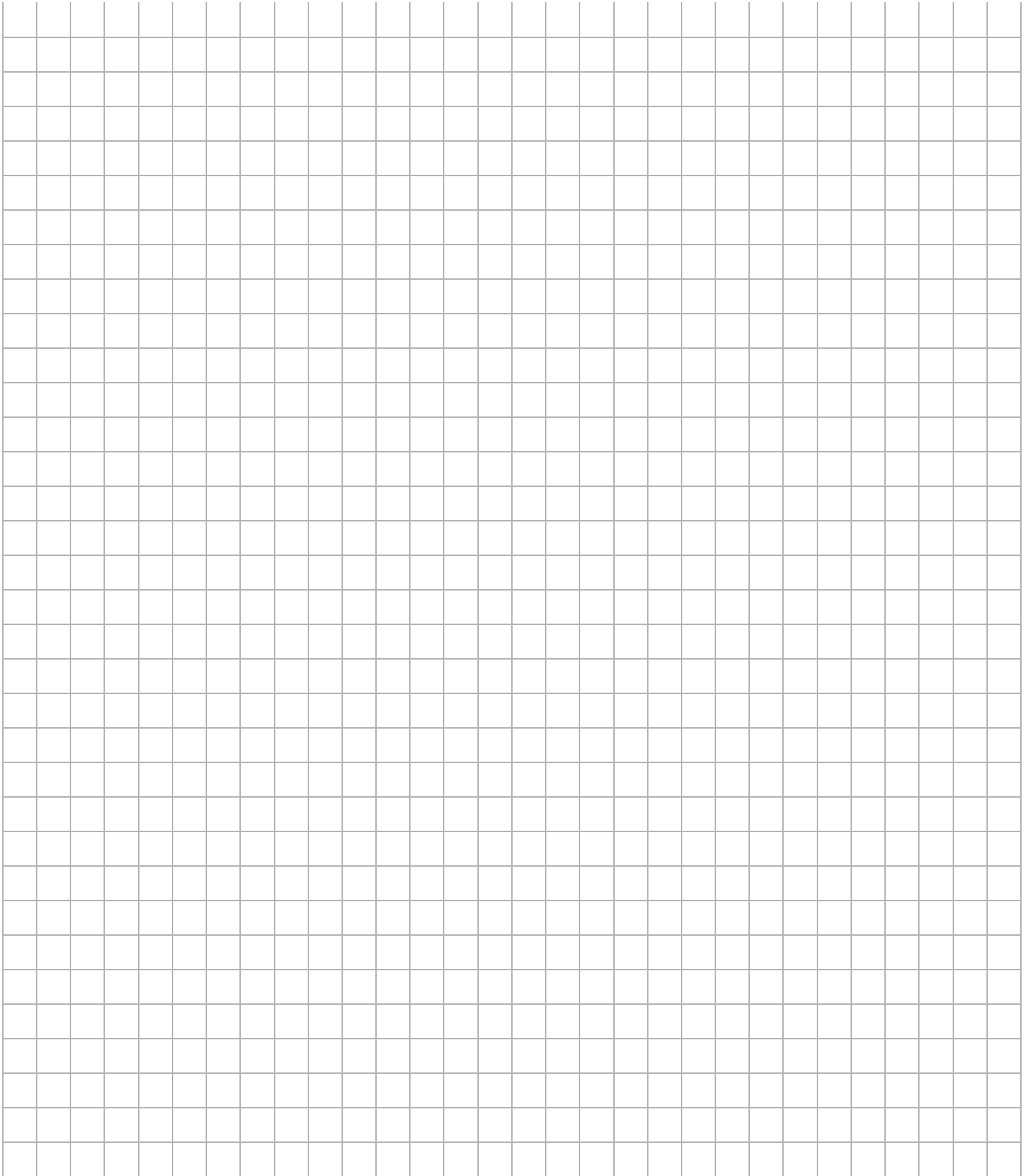
A fully charged battery will not freeze in winter temperatures unless the temperature falls below -75°F (-60°C).

As with all electric vehicles, the batteries must be checked and recharged as required or at a minimum of 30 day intervals.

TABLE OF CONTENTS

SECTION	Page No.
HOW TO USE THE SERVICE PARTS MANUAL	v
ACCELERATOR	A-1
AIR FILTER	B-1
BODY	C-1
BRAKES - MECHANICAL AND FRONT DISC BRAKES	D-1
CAB	E-1
CARBURETOR AND CHOKE	F-1
CLUTCH	G-1
DIRECTION SELECTOR	H-1
ELECTRICAL SYSTEM	J-1
ENGINE MOUNTING	K-1
ENGINE AND MUFFLER	L-1
FRONT SUSPENSION AND STEERING	M-1
FUEL SYSTEM	N-1
REAR AXLE	P-1
REAR SUSPENSION	Q-1
SEATING	R-1
STARTER / GENERATOR	S-1
TRUCK BED - PLASTIC, METAL AND REFRESHER COOLER	T-1
WEATHER PROTECTION	U-1
WHEELS AND TIRES	V-1

NOTES



HOW TO USE THE SERVICE PARTS MANUAL

This manual is divided into several sections:

- GENERAL INFORMATION
- ILLUSTRATED PARTS BREAKDOWN
- APPENDIX

The first section, GENERAL INFORMATION, contains the following information:

- WARRANTY INFORMATION
- GENERAL INDEX
- HOW TO USE THE SERVICE PARTS MANUAL

The second section, ILLUSTRATED PARTS BREAKDOWN, contains illustrations and parts lists for all systems of your vehicle.

The third section, APPENDIX, contains a listing of specialty products and accessories.

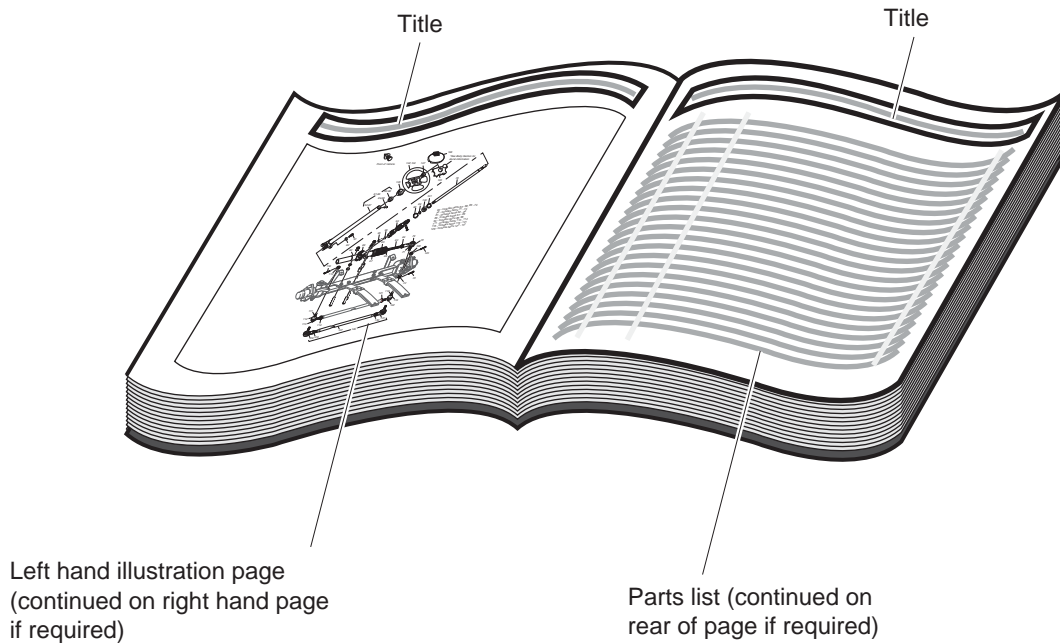
USE OF THE MANUAL

To use this manual, consult the GENERAL INDEX to locate the information or illustration required.

Introduction of some revisions varies due to supply of components; therefore, it is possible that various combinations of components may be found that are not directly reflected by each illustration. Consult the illustration that best suits your situation and then contact the Service Parts Department. It is important that the serial number of your vehicle and its model number be supplied to Service Parts when ordering any replacement components.

Locate the serial number plate (see BODY located in the Illustrated Parts Breakdown section of this manual for its location) and note the complete number shown on the plate.

HOW TO USE THE SERVICE PARTS MANUAL



1. WHEN THE PART NUMBER IS NOT KNOWN

- Determine the function and application of the part required. Turn to the General Index and select the most appropriate title.
- Turn to the page number indicated and locate the desired part on the illustration.
- From the illustration, obtain the item number assigned to the desired part. Refer to the accompanying description for specific information regarding the part.

2. IF YOU KNOW THE PART NUMBER

- Locate the part number or description in the appropriate column on the parts list page.

NOTE: It is suggested that you confirm that the part selected is correct by verifying it with the pictorial representation on the illustrated page.

Should an asterisk (*) appear in the part number column on the parts list page, read upwards until a part number is found. The part number is the lowest assembly sold by Service Parts and the asterisk (*) indicates that the part depicted is not available for purchase.

NOTE: Descriptions are indented under the assembly that they are used on. That assembly is, in turn listed under the assembly that it is used on. This process is repeated until the highest final assembly is reached.

To facilitate the maintenance and repair of the vehicle, a Technician's Repair and Service Manual is available from the Service Parts Department.

HOW TO USE THE SERVICE PARTS MANUAL

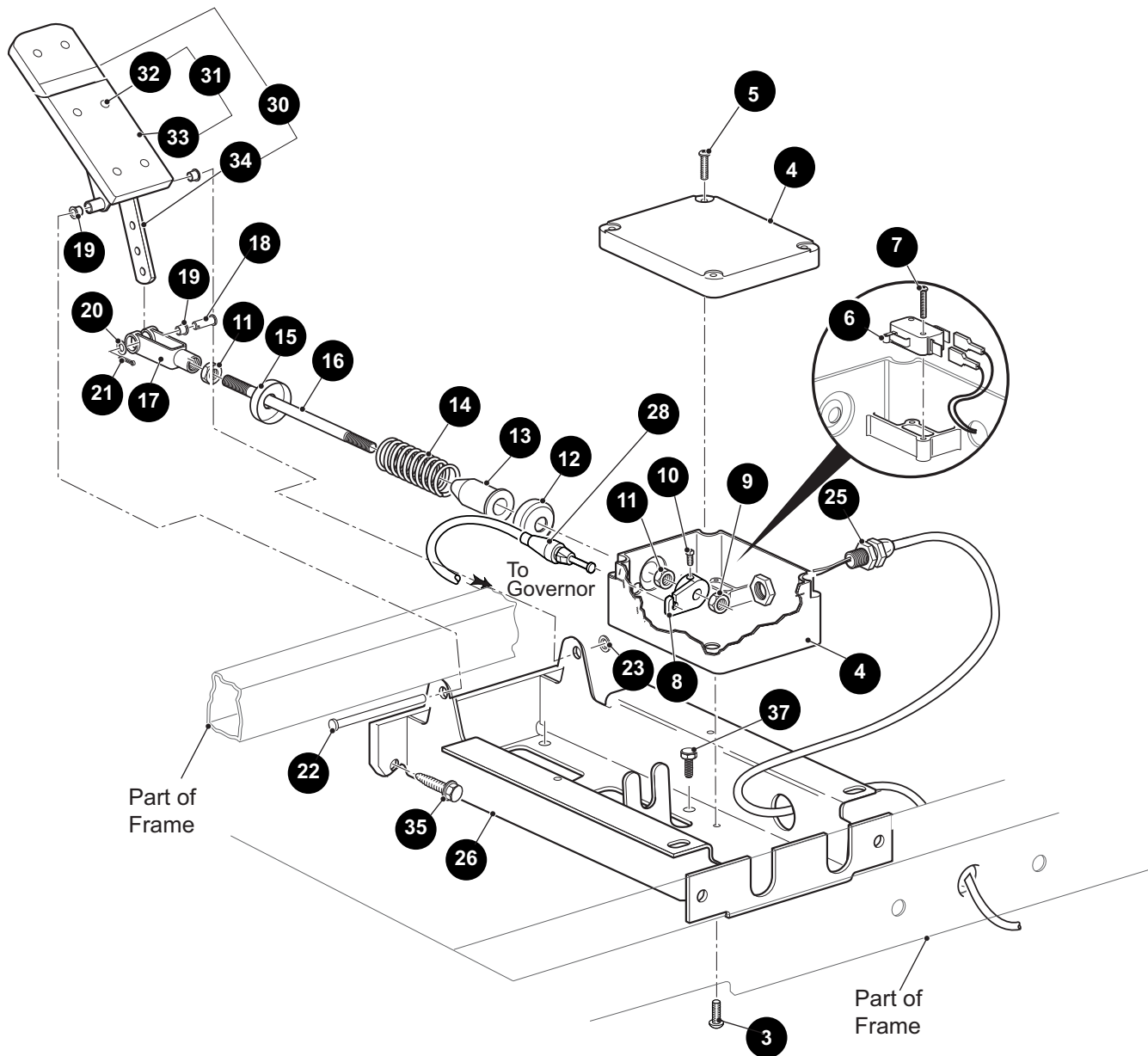
3. COLOR CODE FOR BODY COMPONENTS

The last two digits of the part number for the body part will denote the color code, locate the part number for the cowl, rear body, seat pod, side panel or seat wrap then locate your color in the list below, replace the last ** or XX with the two digit color code.

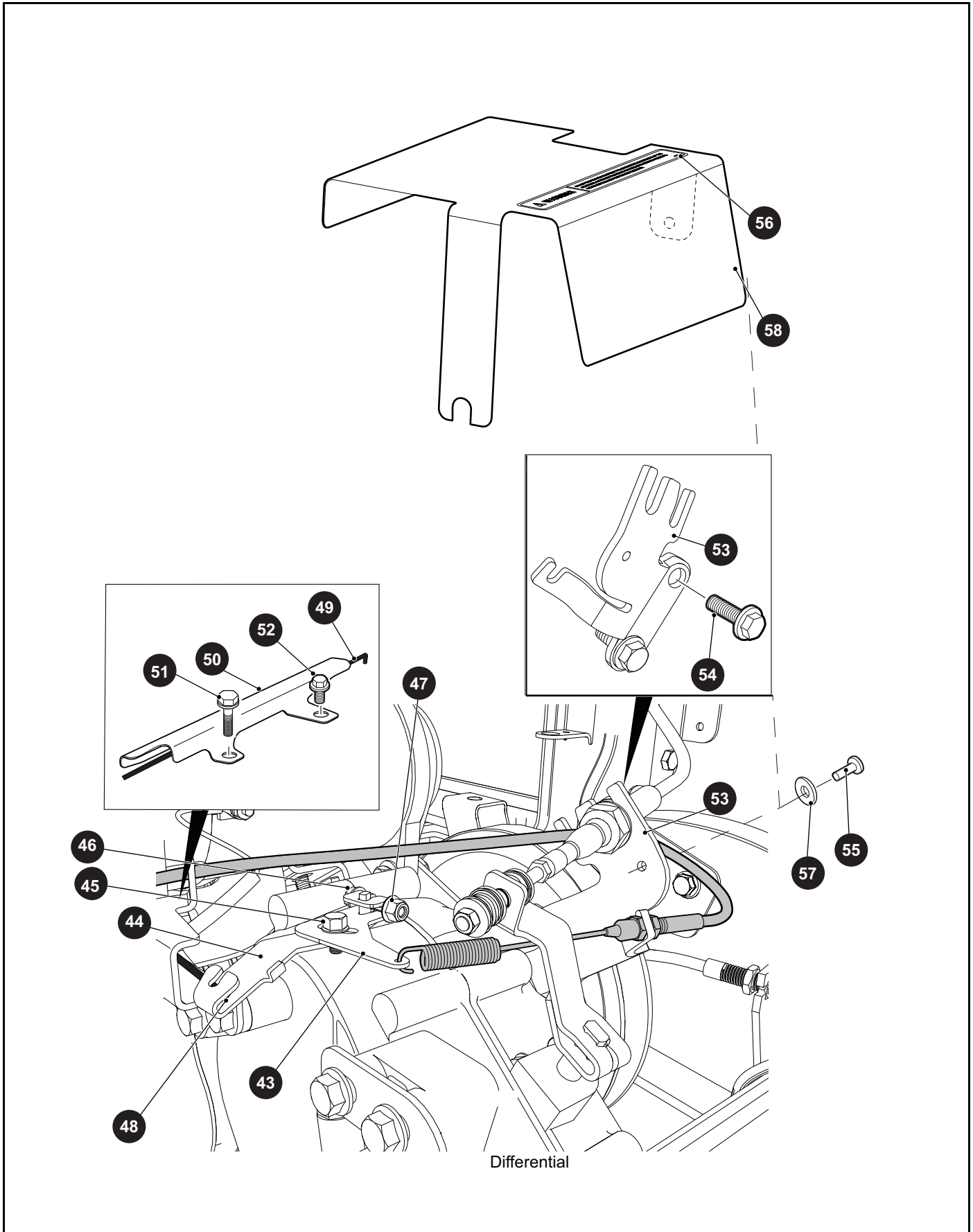
<u>CODE #</u>	<u>DESCRIPTION</u>	<u>CODE #</u>	<u>DESCRIPTION</u>
01	NO PAINT	53	MOSSY OAK NEW BREAK UP - DIPPED
02	SPECIAL COLOR	54	MOSSY OAK OBSESSION - DIPPED
05	JACOBSEN ORANGE	55	REALTREE ADVANTAGE MAX 4 - DIPPED
06	LIGHT GOLD PEARL	56	REALTREE HARDWOOD BROWN - DIPPED
07	SILVER PEARL METALIC	57	REALTREE AP HOT PINK - DIPPED
11	BLACK	58	BLACK / SILVER MARBLE - DIPPED
12	EMERALD GREEN PEARL	59	RED / SILVER MARBLE - DIPPED
13	CLOUD GREY	60	HOT PINK / SILVER MARBLE - DIPPED
14	VIPER BLUE METALLIC	61	REALTREE AP
19	PATRIOT BLUE PEARL	62	REALTREE MAX 4
20	INFERNO RED METALLIC	63	MOSSY OAK BREAKUP
23	ADVANTAGE CLASSIC CAMO	64	MOSSY OAK TREESTAND
24	NATURAL	65	REALTREE APG
25	VIVID NEW HOLLAND BLUE	66	REALTREE MAX 1
26	STEEL BLUE PEARL	67	REALTREE AP PINK
27	BRIGHT SILVER METALLIC	68	REALTREE AP - DIPPED
29	PRIMER ONLY		
30	HD ADVANTAGE CAMO		
31	METALLIC CHARCOAL		
32	LIGHT ALMOND PEARL		
33	TIMBERLINE GREEN		
34	DEEP MOLTEN RED		
35	SAFETY YELLOW		
36	CHAMPAGNE BEIGE		
37	HUNTER GREEN		
38	BRIGHT WHITE		
39	FLAME RED		
40	BLACK		
41	ELECTRIC BLUE		
42	PLATINUM		
43	BURGUNDY		
44	ALMOND		
45	BLACK		
46	FLAME RED		
47	BURLINGTON GREEN		
48	BLACK		
49	FLAME RED		
50	RECON GREEN		
51	SUNBURST ORANGE		
52	BRITISH RACING GREEN		

ACCELERATOR

1 PEDAL BOX ASSEMBLY Includes items 3 - 34



ACCELERATOR



ACCELERATOR

When ordering parts, please specify the model and serial number of the product.

* Indicates a component that is not available as an individual part.

*** Indicates consult Customer Service Department for additional information.

ITEM	PART NO.	1 2 3 4 5	DESCRIPTION	QTY.
1	606990		PEDAL BOX ASSEMBLY (INCLUDES ITEMS 2 - 34)	1
2	70116G02		ACCELERATOR PEDAL BRACKET	1
3	01051G01		SCREW, #8 - 16 X 1/2" LG	4
4	25853G03		PEDAL BOX AND COVER	1
5	00684G6		SCREW, #8 - 32 X 3/4" LG (STAINLESS STEEL)	2
6	25861G01		MICRO SWITCH	1
7	01050G01		SCREW, #4 - 20 X 5/8" LG	2
8	72716G01		MICRO SWITCH CAM	1
9	15126G1		LOCK NUT, 5/16 - 24	1
10	00487G3		SETSCREW, 1/4 - 20 X 3/8" LG	1
11	00532G4		NUT, 5/16 - 24	2
12	17677G1		SPRING RETAINER	1
13	17979G1		ACCELERATOR ROD BUSHING	1
14	73046G01		COMPRESSION SPRING	1
15	17677G2		SPRING RETAINER	1
16	72072G01		ACCELERATOR ROD	1
17	10385G4		CLEVIS YOKE (ADJUSTABLE)	1
18	10386G3		CLEVIS PIN, 5/16" X 13/16" LG	1
19	17838G1		NYLON BUSHING	3
20	17255G1		TEFLON WASHER, 5/16"	1
21	10387G3		COTTER PIN, 3/32" X 3/4" LG	1
22	74432G01		PEDAL PIVOT PIN	1
23	12064G6		PUSH NUT, 9/32"	1
24	12730G1		WHEEL BEARING GREASE (NOT ILLUSTRATED)	A/R
25	72201G04		WIRE HARNESS (PEDAL BOX)	1
26				
27				
28	608608		ACCELERATOR CABLE	1
29				
30	25799G03		ACCELERATOR PEDAL ASSEMBLY (INCLUDES ITEMS 31- 33)	1
31	27844G01		ACCELERATOR PEDAL PAD KIT (INCLUDES ITEMS 32- 33)	1

ACCELERATOR

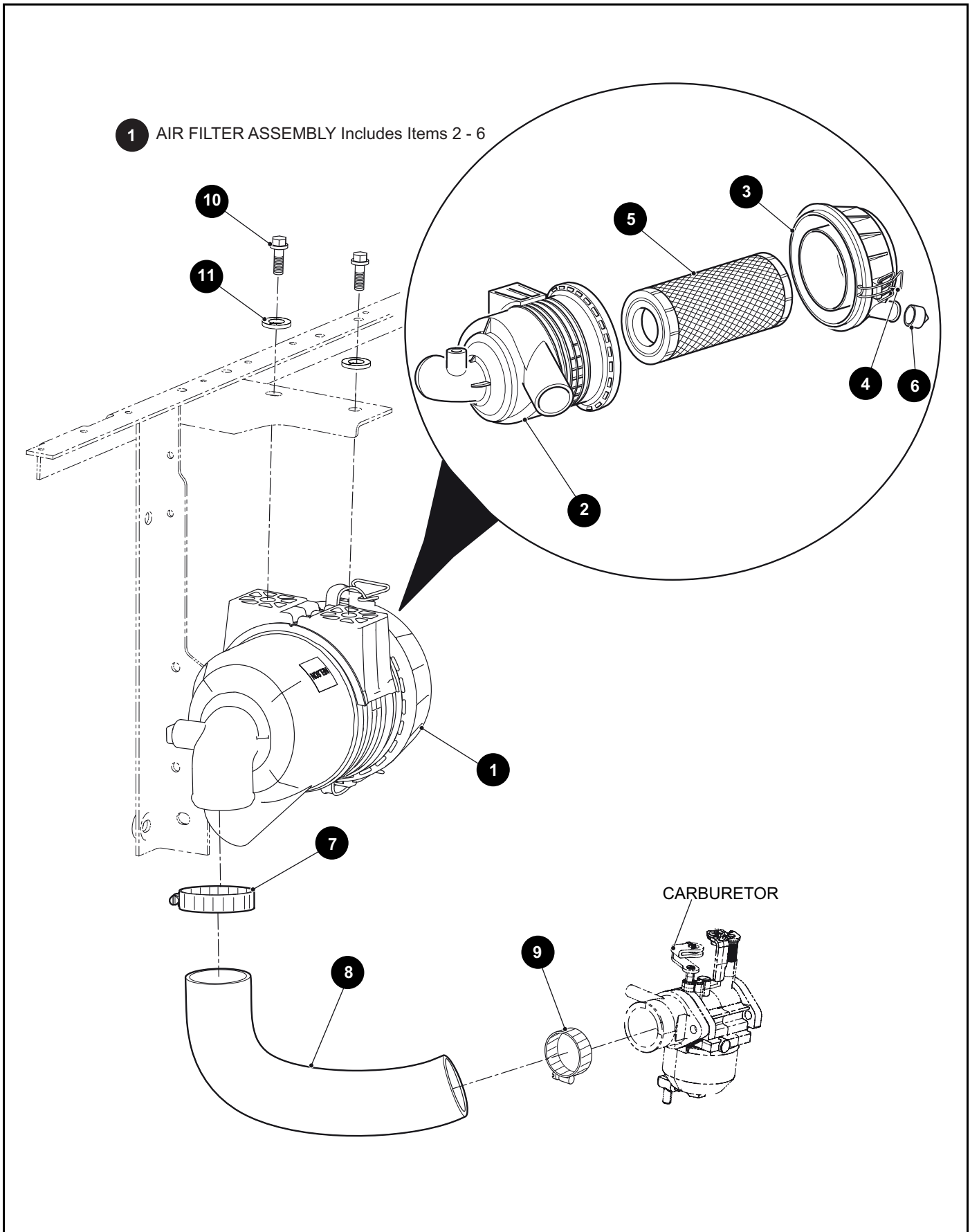
When ordering parts, please specify the model and serial number of the product.

* Indicates a component that is not available as an individual part.

*** Indicates consult Customer Service Department for additional information.

ITEM	PART NO.	1 2 3 4 5	DESCRIPTION	QTY.
32	16409G1		OVAL RIVET, 3/16" X 7/16" LG	6
33	27512-G01		ACCELERATOR PEDAL PAD	1
34	*		ACCELERATOR PEDAL	
35	00715G2		BOLT, 5/16 -18 X 4/5" LG.....	4
36				
37				
38				
39				
40				
41				
42				
43	606083		UPPER GOVERNOR BRACKET.....	1
44	606005		LOWER GOVERNOR BRACKET	1
45	606265		BOLT, M6 - 1 X 12.....	1
46	606421		BOLT, M6 - 1 X 30.....	1
47	450452		NUT, M6 - 1.0.....	1
48	606283		GOVERNOR LEVER BUSHING	1
49	606284		GOVERNOR ROD	1
50	603890		GOVERNOR ROD GUARD	1
51	606264		BOLT, M6 - 1 X 20.....	1
52	606262		BOLT, M8 - 1.25 X 16.....	1
53	606074		GOVERNOR CABLE / DIRECTION SELECTOR BRACKET	1
54	606256		BOLT, M10 - 1.25 X 16.....	2
55	14601G11		RIVET, 3/16 X 9/16"	1
56	608527		GOVERNOR WARNING DECAL.....	1
57	00915G1		WASHER (BONDED SEAL) , 1/4 I.D.....	1
58	606199		GOVERNOR COVER	1
59	17618G1		NYLON CLAMP	2

AIR FILTER



AIR FILTER

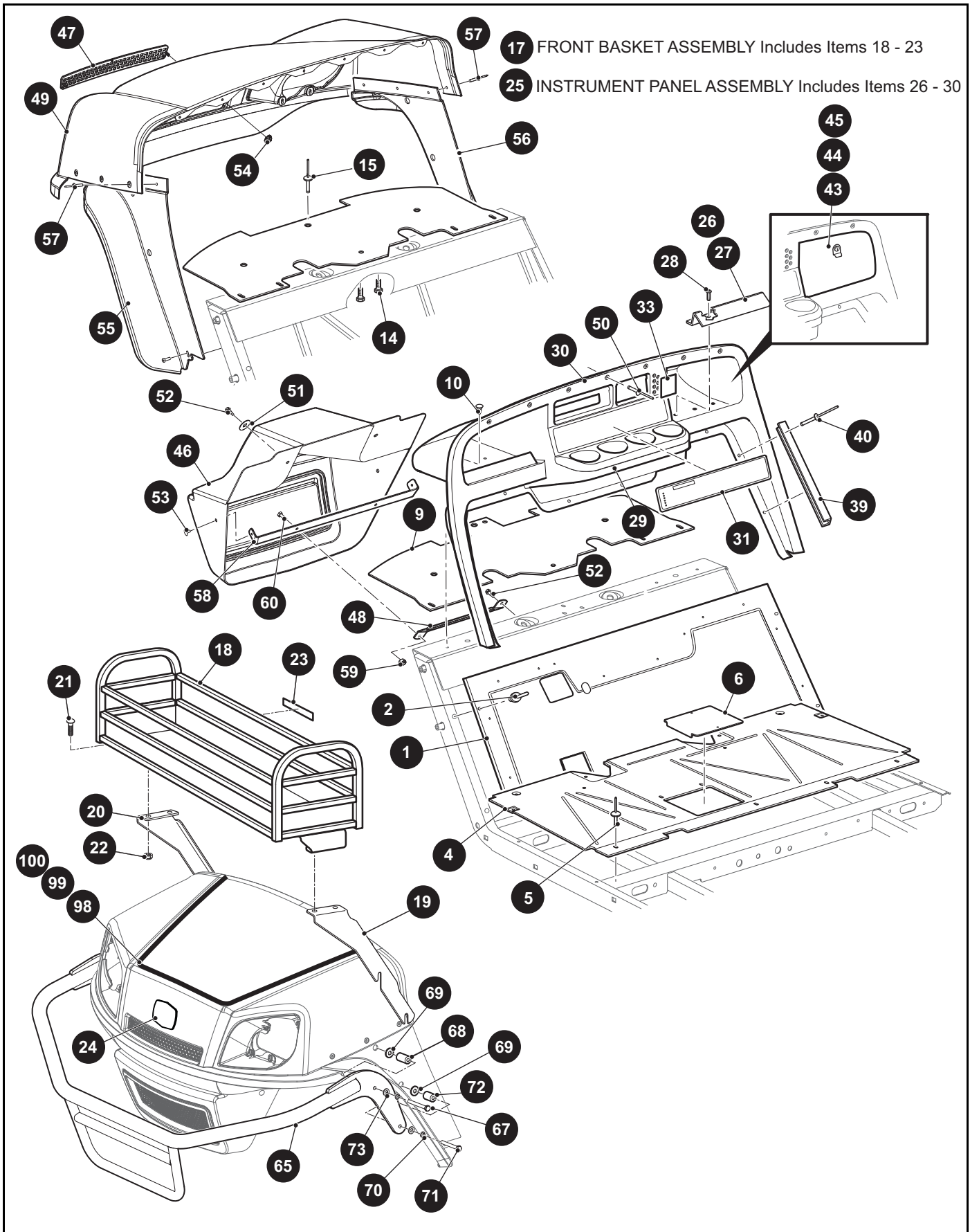
When ordering parts, please specify the model and serial number of the product.

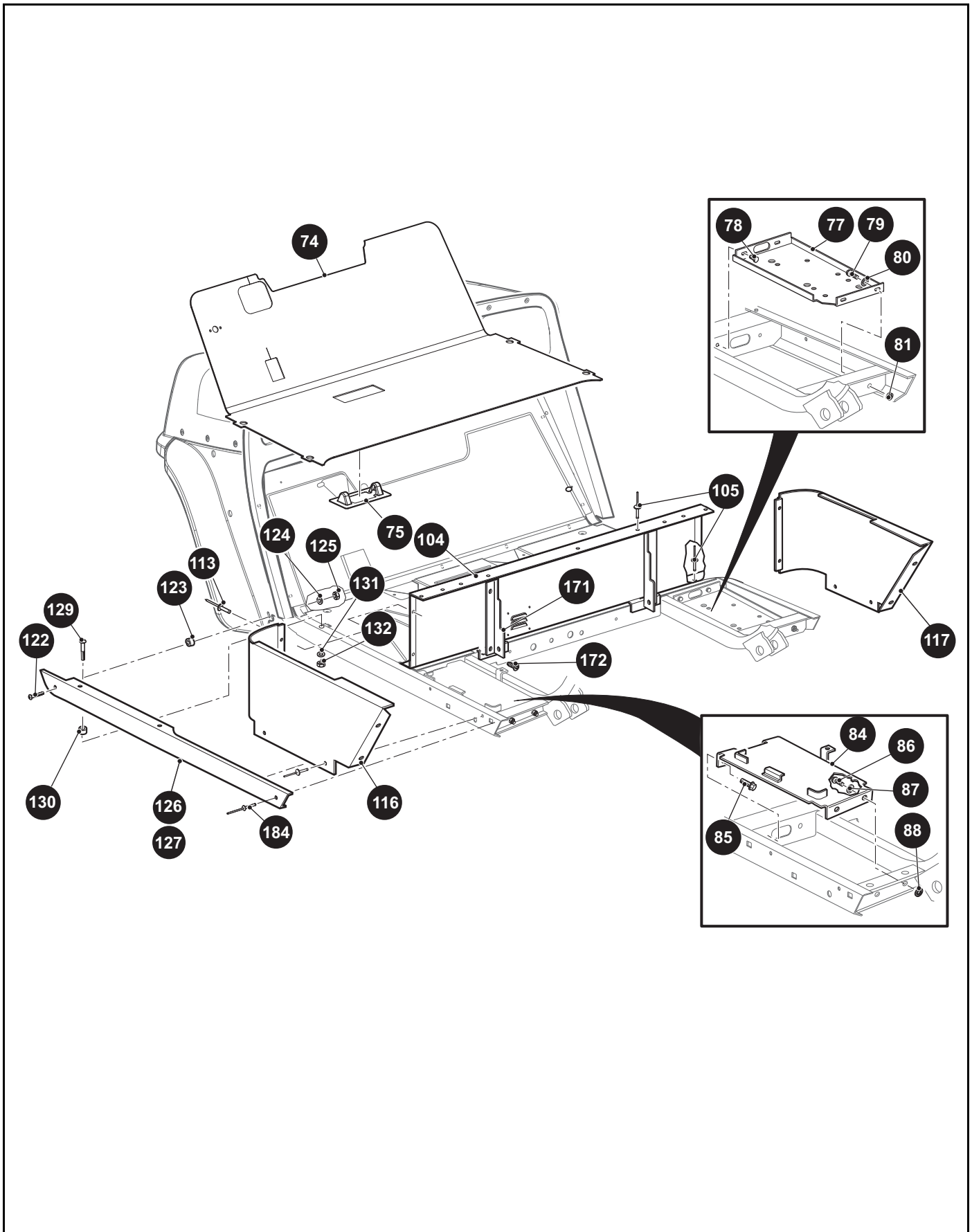
* Indicates a component that is not available as an individual part.

*** Indicates consult Customer Service Department for additional information.

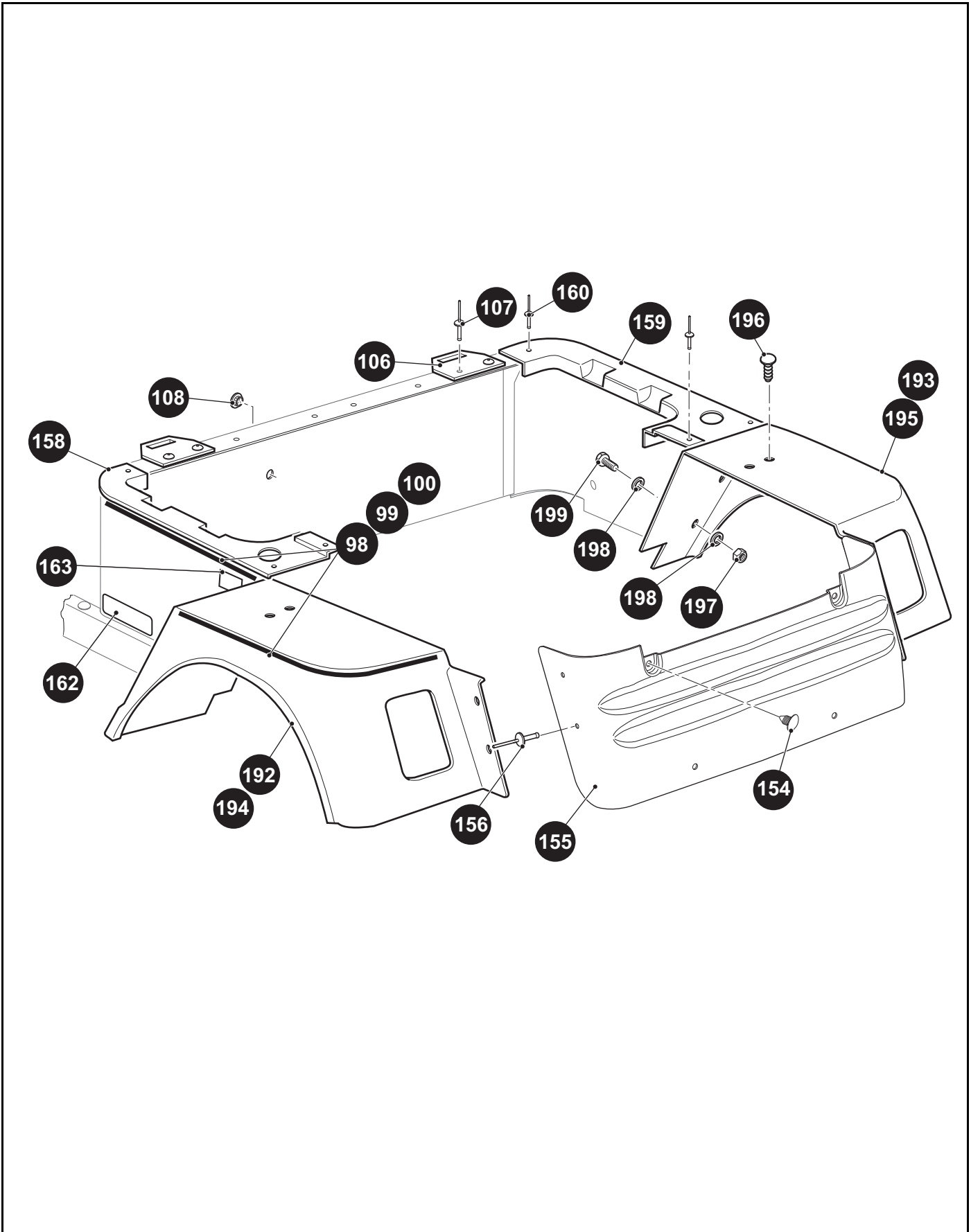
ITEM	PART NO.	1 2 3 4 5	DESCRIPTION	QTY.
1	614852		AIR CLEANER (INCLUDES ITEMS 2 - 6)	1
2	615390		AIR CLEANER BODY	1
3	72599G01		AIR CLEANER COVER	1
4	72604G01		AIR CLEANER CLIP	2
5	28463G01		AIR FILTER ELEMENT	1
6	28462G01		DUST EJECTOR VALVE	1
7	11391G7		HOSE CLAMP	1
8	607950		HOSE	1
9	11391G1		HOSE CLAMP	1
10	606271		BOLT M8 - 1.25 X 20	2
11	606272		LOCK WASHER, 8 MM	2

BODY



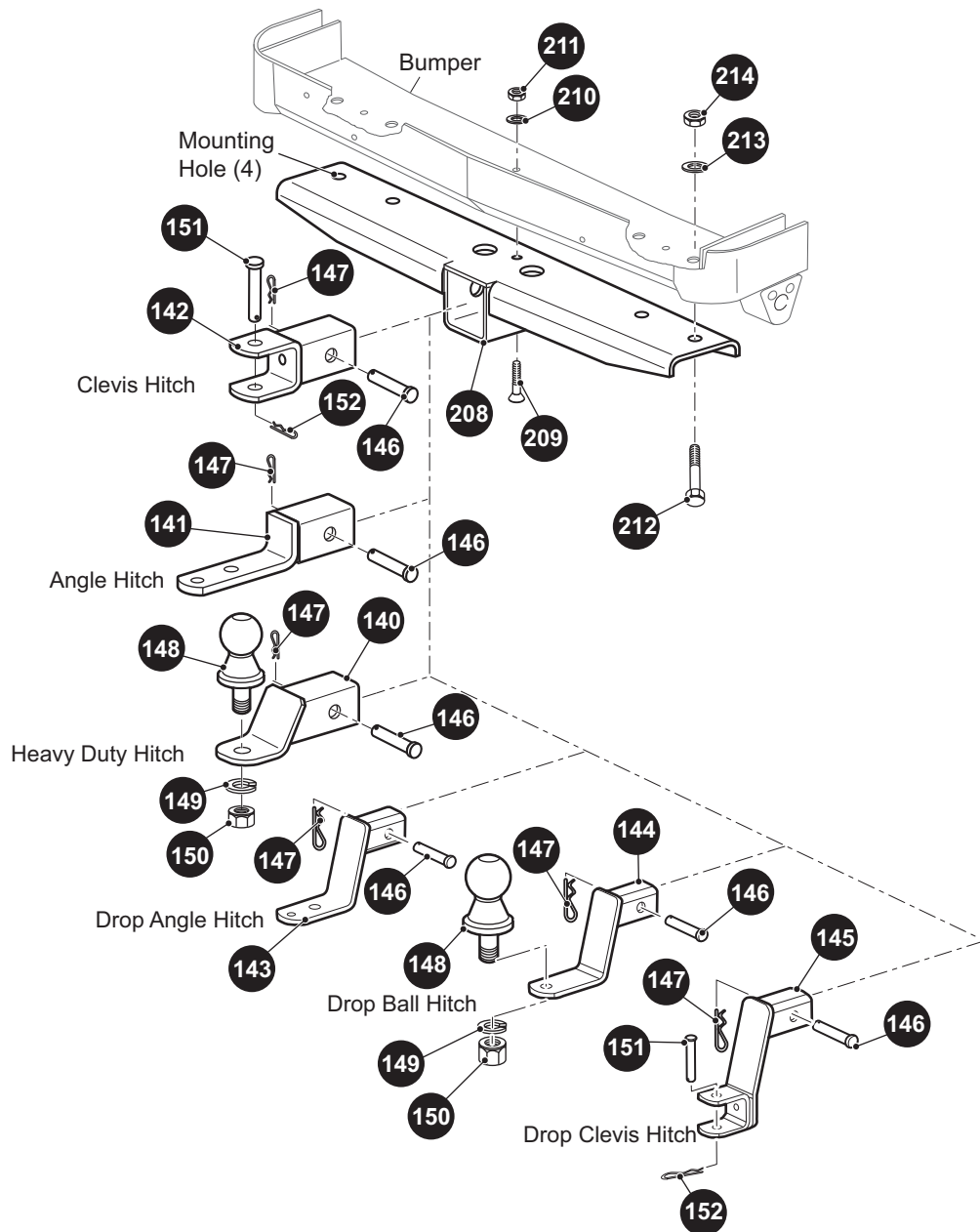


BODY

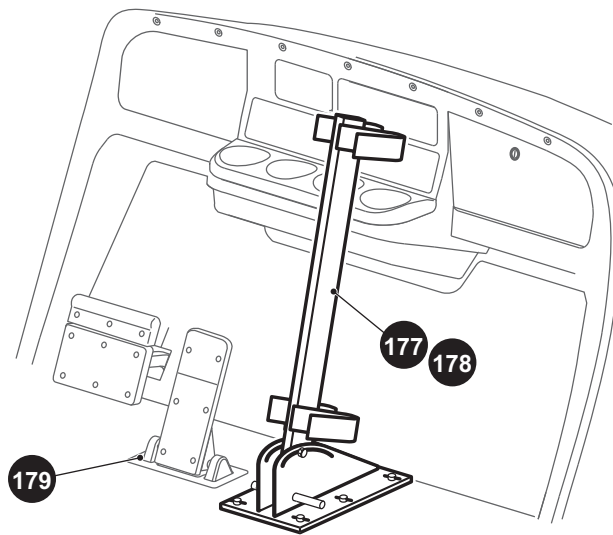
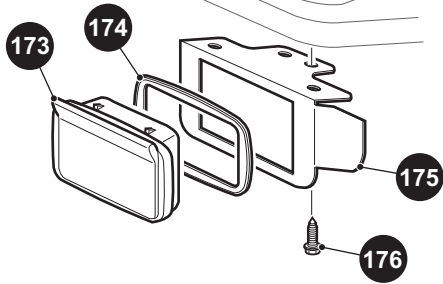


HITCHES

- 134** HEAVY DUTY HITCH KIT Includes items 140, 146 - 150
- 135** ANGLE HITCH KIT Includes items 141, 146 - 147
- 136** CLEVIS HITCH KIT Includes items 142, 146 - 147, 151 - 152
- 137** DROP ANGLE HITCH KIT Includes items 143, 146 - 147
- 138** DROP BALL HITCH KIT Includes items 144, 146 - 150
- 139** DROP CLEVIS HITCH KIT Includes items 145 - 147, 151 - 152



ASHTRAY



FLOOR MOUNT
GUN HOLDER

When ordering parts, please specify the model and serial number of the product.

* Indicates a component that is not available as an individual part.

*** Indicates consult Customer Service Department for additional information.

ITEM	PART NO.	1 2 3 4 5	DESCRIPTION	QTY.
1	70662G01		UPPER FLOORPAN	1
2	14601G11		ALUMINUM RIVET, 3/16" X 9/16" LG	9
3				
4	70451G01		LOWER FLOORPAN	1
5	14601G11		ALUMINUM RIVET, 3/16" X 9/16" LG	7
6	70452G01		ACCESS COVER.....	1
7				
8				
9	71413G01		SPLASH PANEL	1
10	16816G2		RATCHET FASTENER, 1/4" X 3/4" LG.....	4
11				
12				
13				
14	71102G02		SELF TAPPING SCREW, 1/4 - 20 X 1/2" LG.....	3
15	71055G01		ALUMINUM RIVET, 3/16" X 1 1/8" LG	1
16				
17	74521G02		FRONT BASKET ASSEMBLY (Includes Items 18 - 23).....	1
18	74523G01		FRONT BASKET	1
19	74522G01		BASKET MOUNTING BRACKET (DRIVER SIDE)	1
20	74522G02		BASKET MOUNTING BRACKET (PASSENGER SIDE)	1
21	00725G1		CARRIAGE BOLT, 3/8 - 16 X 1" LG (STAINLESS STEEL)	4
22	00891G1		LOCK NUT, 3/8 - 16.....	4
23	71931G01		WARNING LABEL, FRONT BASKET.....	1
24	619135		CUSHMAN COWL DECAL	1
25	71151G01		INSTRUMENT PANEL ASSEMBLY (Includes Items 26 - 30)	1
26	71153G01		DEFLECTOR (PASSENGER SIDE)	1
27	71154G01		DEFLECTOR (DRIVER SIDE).....	1
28	00614G5		SCREW, #8 - 18 X 5/8" LG.....	4
29	71158G01		INSTRUMENT PANEL INSERT (FOUR CUP)	1
30	71152G01		INSTRUMENT PANEL.....	1
31	601781		SAFETY LABEL	1

BODY

When ordering parts, please specify the model and serial number of the product.

* Indicates a component that is not available as an individual part.

*** Indicates consult Customer Service Department for additional information.

ITEM	PART NO.	1	2	3	4	5	DESCRIPTION	QTY.
32								
33	35968G01						LABEL (T-HOLDER COVER)	1
34								
35								
36								
37								
38								
39	71115G01						VINYL TRIM	2
40	71055G01						ALUMINUM RIVET, 3/16" X 1" LG	10
41								
42								
43	75459G01						GLOVE BOX DOORS (BOTH SIDES)	1
44	75459G02						GLOVE BOX DOOR (DRIVER SIDE)	1
45	75459G03						GLOVE BOX DOOR (PASSENGER SIDE)	1
46	613273						FRONT FASCIA	1
47	617643						COWL GRILL COVER.....	1
48	70725G02						FRONT SHIELD BRACE.....	2
49	613036G**						COWL (See COLOR CODE in HOW TO USE Section of Manual)	1
50	71055G01						ALUMINUM RIVET, 3/16" X 1" LG	7
51	16469G1						FENDER WASHER, 9/32"	2
52	01038G01						SCREW, 1/4" - 20 X 1.25" LG	4
53	15058G1						ALUMINUM RIVET, .87"	2
54	71597G01						SELF THREADING NUT, 5 X 10 X 15mm.....	2
55	614378						FENDER FLARE (DRIVER SIDE).....	1
56	613274						FENDER FLARE (PASSENGER SIDE)	1
57	71055G01						ALUMINUM RIVET, 3/16" X 1" LG	6
58	618653						FASCIA BRACKET.....	1
59	14390G4						NUT, 1/4 - 20	2
60	300646						HEX HEAD BOLT, 1/4 -20 X 3/4 (GRADE 5).....	2
61								
62								

When ordering parts, please specify the model and serial number of the product.

* Indicates a component that is not available as an individual part.

*** Indicates consult Customer Service Department for additional information.

ITEM	PART NO.	1 2 3 4 5	DESCRIPTION	QTY.
63				
64				
65	617620		BRUSHGUARD.....	1
66				
67	00440G6		CAP HEAD SCREW, 5/16-18 X 2-3/4"	2
68	75048G02		SPACER, .328 X 1.31,	2
69	00570G2		FLAT WASHER, 5/16"	2
70	00905G8		LOCK WASHER, 5/16"	4
71	00440G2		SCREW, 5/16 - 18 X 2-3/4"	4
72	75048G04		SPACER.....	2
73	00559G8		FLAT WASHER, 5/16"	4
74	70663G04		FLOOR MAT W/HORN HOLES	1
75	70135G01		PEDAL PIVOT COVER.....	1
76				
77	70244G03		SPLASH PANEL	1
78	00715G2		BOLT, 5/16 - 18 X 4/5" LG.....	4
79	00438G8		BOLT, 5/16 - 18 X 1" LG.....	2
80	00559G8		FLAT WASHER, 5/16"	2
81	11098G6		LOCK NUT, 5/16 - 18 (STAINLESS STEEL).....	2
82				
83				
84	600496		BATTERY TRAY.....	1
85	00715G2		BOLT, 5/16 - 18 X 4/5" LG.....	AR
86	00438G6		BOLT, 5/16 - 18 X 3/4" LG.....	3
87	00571G2		FLAT WASHER, 5/16"	1
88	00565G8		LOCK WASHER, 5/16"	1
89				
90				
91				
92				
93				

BODY

When ordering parts, please specify the model and serial number of the product.

* Indicates a component that is not available as an individual part.

*** Indicates consult Customer Service Department for additional information.

ITEM	PART NO.	1	2	3	4	5	DESCRIPTION	QTY.
94								
95								
96								
97								
98	603728						PEWTER PINSTRIPING TAPE, 6.4mm X 45.7M LG	1
99	75372G04						BLACK PINSTRIPING TAPE, 5/16 X 150' LG	1
100	75372G08						SILVER PINSTRIPING TAPE, 5/16 X 150' LG	1
101								
102								
103								
104	609143G**						SEAT WRAP W/LOUVERS (See COLOR CODE in HOW TO USE Section)	1
105	10570G10						RIVET, 5/32" X 9/16" LG (STAINLESS STEEL)	8
106	71609G01						SEAT HINGE PLATE	2
107	10570G11						RIVET, 3/16" X 3/4" LG (STAINLESS STEEL)	4
108	20271G02						HOLE PLUG	1
109								
110								
111								
112								
113	10570G10						RIVET, 5/32" X 9/16" LG (STAINLESS STEEL)	4
114								
115								
116	609047G1**						SIDE PANEL (DRIVER) (See COLOR CODE in HOW TO USE Section)	1
117	609047G2**						SIDE PANEL (PASSENGER) (See COLOR CODE in HOW TO USE Section)	1
118								
119								
120	71440G03						BRACE (DRIVER SIDE)	1
121	71440G04						BRACE (PASSENGER SIDE)	1
122	00789G2						SCREW, #10 - 24 X 1 1/4" LG	2
123	23726G2						SPACER, 1/4"	4
124	00660G5						FLAT WASHER, #10 (STAINLESS STEEL)	2

When ordering parts, please specify the model and serial number of the product.

* Indicates a component that is not available as an individual part.

*** Indicates consult Customer Service Department for additional information.

ITEM	PART NO.	1 2 3 4 5	DESCRIPTION	QTY.
125	14390G10		LOCK NUT, #10 - 24	4
126	618358		ROCKER PANEL, DRIVER SIDE	1
127	618359		ROCKER PANEL, PASSENGER SIDE.....	1
128				
129	16705G1		SCREW, 1/4 - 20 X 1" LG (STAINLESS STEEL).....	4
130	23726G2		SPACER, 1/4"	4
131	00559G7		FLAT WASHER, 1/4"	4
132	14390G4		LOCK NUT, 1/4 - 20	4
133				
134	74492G02		HEAVY DUTY BALL HITCH KIT (Includes Items 140, 146 -150)	1
135	74492G04		ANGLE HITCH KIT (Includes Items 141, 146 -147).....	1
136	74492G06		CLEVIS HITCH KIT (Includes Items 142, 146 -147, 151 - 152).....	1
137	74492G08		DROP ANGLE HITCH KIT (Includes Items 143, 146 - 147)	1
138	74492G10		DROP BALL HITCH KIT (Includes Items 144, 146 -150).....	1
139	74492G12		DROP CLEVIS HITCH KIT (Includes Items 145 - 147, 151 - 152)	1
140	74351G02		HEAVY DUTY HITCH.....	1
141	74339G02		ANGLE HITCH	1
142	74338G02		CLEVIS HITCH.....	1
143	74489G02		DROP ANGLE HITCH	1
144	74491G02		DROP BALL HITCH	1
145	74495G02		DROP CLEVIS HITCH	1
146	21317G1		CLEVIS PIN, 5/8" X 3" LG	1
147	21683G1		COTTER PIN, 15/32" X 2 11/16" LG	1
148	31757G1		HITCH BALL, 1 7/8".....	1
149	00566G6		LOCK WASHER, 3/4"	1
150	00702G11		HEX NUT, 5/16 -18	1
151	14443G7		CLEVIS PIN, 1/2" X 2 1/2" LG	1
152	19314G1		COTTER PIN, 2 1/2" LG	1
153				
154	16816G2		RATCHET FASTENER, 1/4" X 3/4" LG.....	8
155	74890G01		REAR PANEL.....	1

BODY

When ordering parts, please specify the model and serial number of the product.

* Indicates a component that is not available as an individual part.

*** Indicates consult Customer Service Department for additional information.

ITEM	PART NO.	1 2 3 4 5	DESCRIPTION	QTY.
156	71055G01		ALUMINUM RIVET, 3/16" X 1" LG.....	4
157				
158	74891G01		SEAT FILLER PANEL (DRIVER SIDE)	1
159	74891G02		SEAT FILLER PANEL (PASSENGER SIDE)	1
160	10570G10		RIVET, 5/32" X 9/16" LG (STAINLESS STEEL)	6
161				
162	619136		CUSHMAN HAULER 800 LOGO	2
163	74755G01		E SHIELD DECAL	2
164				
165				
166				
167				
168				
169				
170				
171	605694		SEAT FRAME	1
172	00715G2		BOLT, 5/16 - 18 X 4/5" LG	2
173	27731G01		ASH TRAY.....	1
174	27736G01		GASKET	1
175	75108G02		BRACKET.....	1
176	00100G4		SCREW, #10 - 16 X 1/2" LG.....	4
177	74533G01		SWIVEL GUN HOLDER W/BASE PLATE	1
178	74365G01		GUN HOLDER REMOVABLE FLOOR MOUNT	1
179	70135G01		PEDAL PIVOT COVER.....	1
180				
181				
182				
183				
184	15058G6		ALUMINUM RIVET, 3/16" X 15/16" LG	4
185				
186				

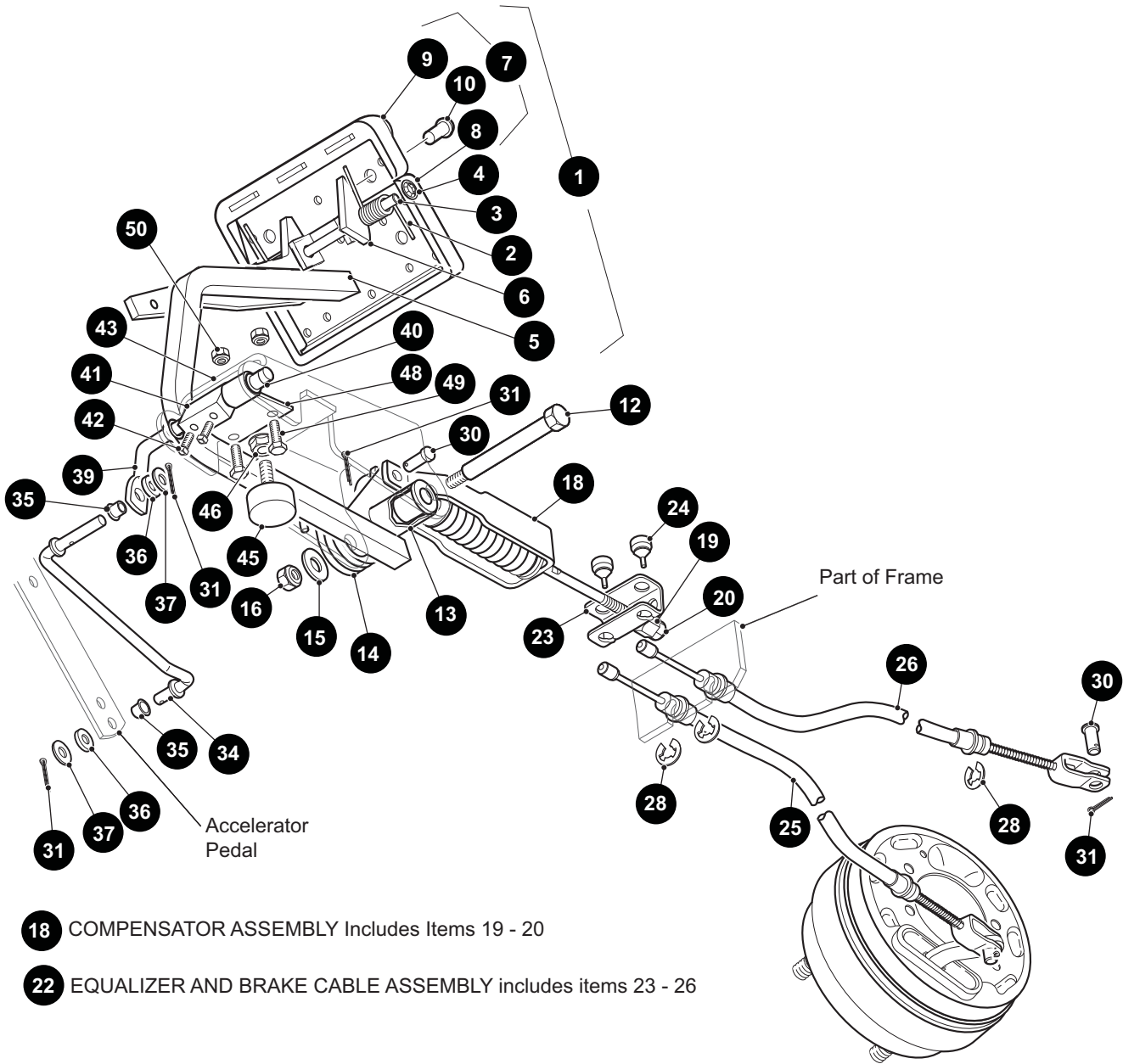
When ordering parts, please specify the model and serial number of the product.

* Indicates a component that is not available as an individual part.

*** Indicates consult Customer Service Department for additional information.

ITEM	PART NO.	1 2 3 4 5	DESCRIPTION	QTY.
187				
188				
189				
190				
191				
192	74892G01		FENDER (DRIVER SIDE).....	1
193	74892G02		FENDER (PASSENGER SIDE)	1
194	74892G03		FENDER W/ TAILLIGHT (DRIVER SIDE).....	1
195	74892G04		FENDER W/ TAILLIGHT (PASSENGER SIDE)	1
196	16816G2		RATCHET FASTENER, 1/4" X 3/4" LG.....	10
197	14390G4		LOCK NUT, 1/4 - 20	4
198	00642G7		FLAT WASHER, 1/4".....	8
199	00414G6		BOLT, 1/4 - 20 X 3/4" LG.....	4
200				
201				
202				
203				
204				
205				
206				
207				
208	74348G02		HITCH RECEIVER.....	1
209	00198G8		BOLT, 5/16 - 18 X 1" LG.....	1
210	00571G2		FLAT WASHER, 5/16".....	1
211	11098G6		LOCK NUT, 5/16 - 18 (STAINLESS STEEL).....	1
212	00463G4		BOLT, 7/16 - 14 X 1 1/2" LG.....	4
213	00922G3		FLAT WASHER, 7/16".....	4
214	00734G1		LOCK NUT, 7/16 - 14	4
215				
216				
217				

BRAKES

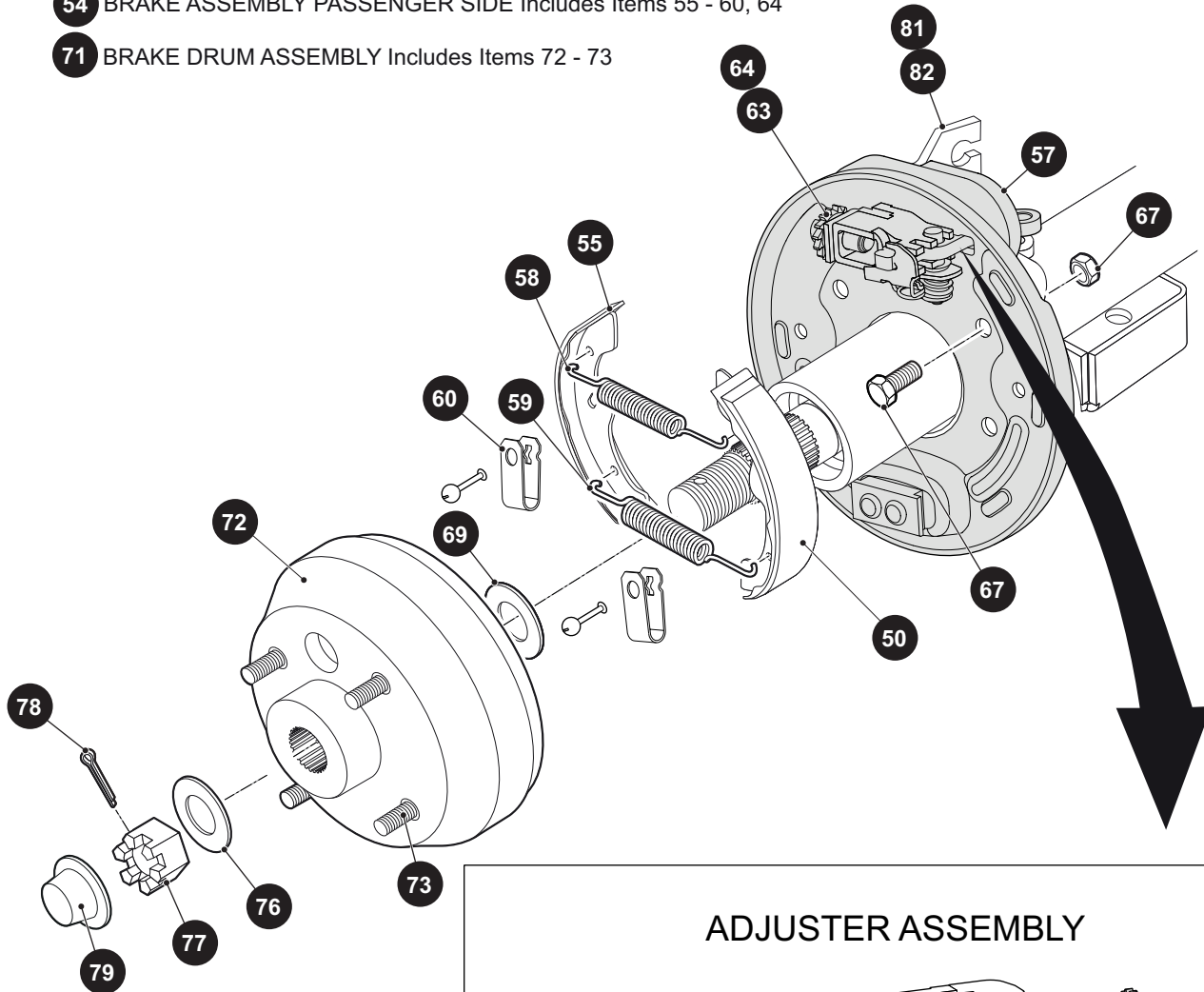


18 COMPENSATOR ASSEMBLY Includes Items 19 - 20

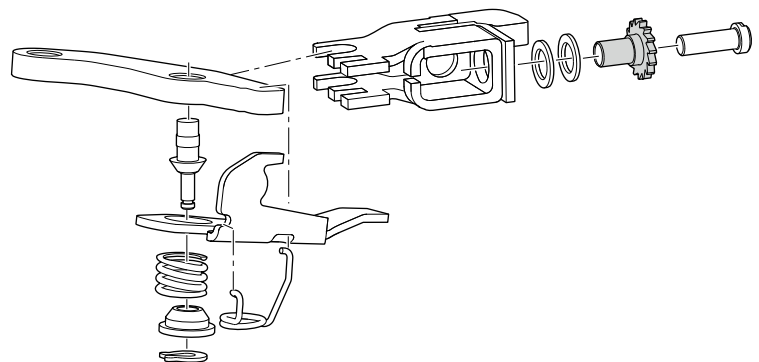
22 EQUALIZER AND BRAKE CABLE ASSEMBLY includes items 23 - 26

TOP PULL

- 53 BRAKE ASSEMBLY DRIVER SIDE Includes Items 55 - 60, 63
- 54 BRAKE ASSEMBLY PASSENGER SIDE Includes Items 55 - 60, 64
- 71 BRAKE DRUM ASSEMBLY Includes Items 72 - 73

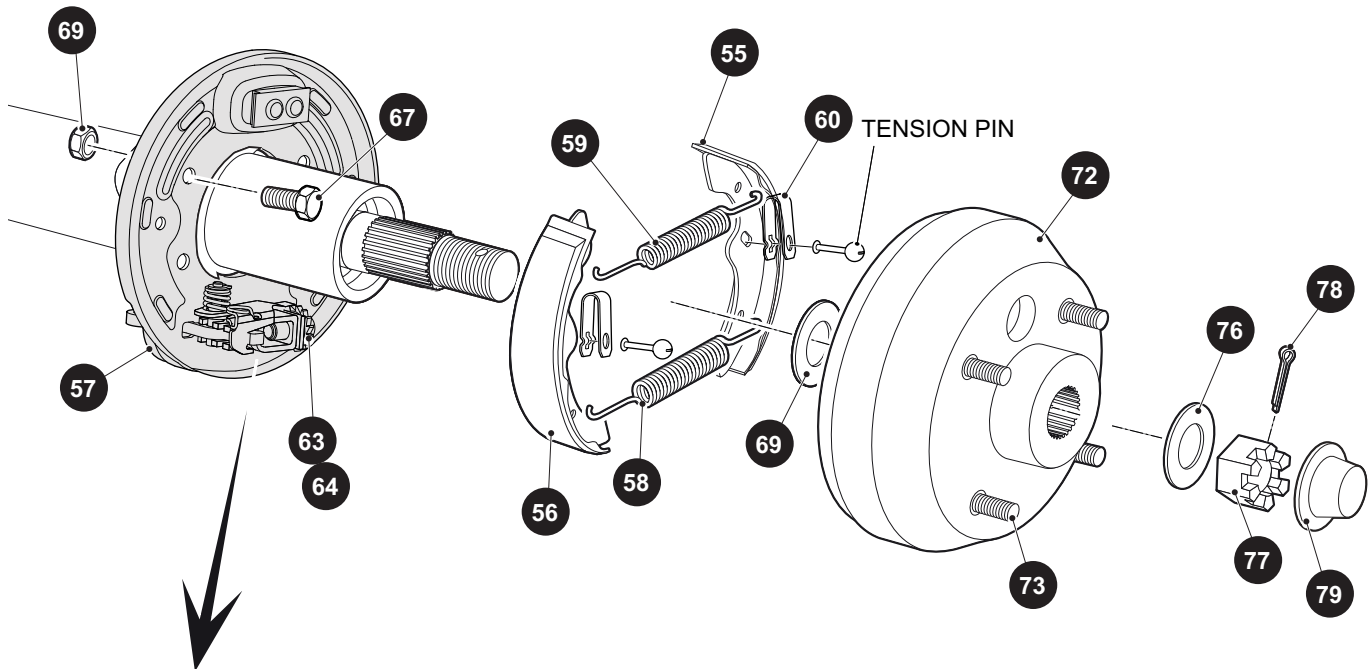


ADJUSTER ASSEMBLY

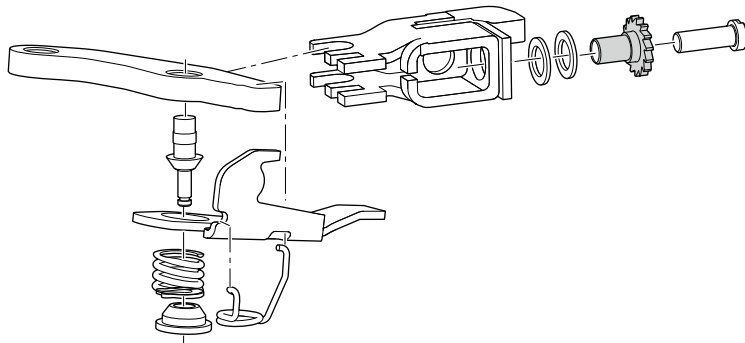


BOTTOM PULL

- 53 BRAKE ASSEMBLY DRIVER SIDE Includes Items 55 - 60, 63
- 54 BRAKE ASSEMBLY PASSENGER SIDE Includes Items 55 - 60, 64
- 71 BRAKE DRUM ASSEMBLY Includes Items 72 - 73



ADJUSTER ASSEMBLY



BRAKES

When ordering parts, please specify the model and serial number of the product.

* Indicates a component that is not available as an individual part.

*** Indicates consult Customer Service Department for additional information.

ITEM	PART NO.	1 2 3 4 5	DESCRIPTION	QTY.
1	70612G02		BRAKE PEDAL ASSEMBLY (WITHOUT BRAKE LIGHTS) (INCLUDES ITEMS 2 - 10)	1
2	70681G01		TORSION SPRING.....	2
3	70682G01		PIVOT PIN.....	1
4	01071G01		PUSHNUT, 5/16"	1
5	70259G02		BRAKE PEDAL.....	1
6	70611G02		PARK BRAKE PEDAL	1
7				
8	70257G01		SERVICE BRAKE PAD.....	1
9	70256G01		PARK BRAKE PEDAL PAD	1
10	16409G1		OVAL RIVET, 3/16" X 3/8" LG	9
11				
12	70582G01		SHOULDER BOLT, 3/8 - 16 X 4" LG (STAINLESS STEEL)	1
13	70581G01		FLANGED BUSHING	2
14	70676G01		TORSION SPRING	1
15	00643G1		FLAT WASHER, 3/8"	1
16	11098G5		LOCK NUT, 3/8 - 16	1
17				
18	612558		COMPENSATOR ASSEMBLY (INCLUDES ITEMS 19, 20).....	1
19	00963G01		SPHERICAL NUT, 5/16 - 24	1
20	11098G9		LOCK NUT, 5/16 - 24.....	1
21				
22	70969G06		EQUALIZER AND BRAKE CABLE ASSEMBLY (INCLUDES ITEMS 23-26)	1
23	28082G01		EQUALIZER BRACKET	1
24	28083G01		BRAKE COMPENSATOR BUMPER	2
25	70968G03		BRAKE CABLE	1
26	607167		BRAKE CABLE 52.81" (LH)	1
27				
28	01111G01		RETAINING RING, 13/32" (STAINLESS STEEL).....	4
29				
30	10386G3		CLEVIS PIN, 5/16" X 13/16" LG.....	3

BRAKES

When ordering parts, please specify the model and serial number of the product.

* Indicates a component that is not available as an individual part.

*** Indicates consult Customer Service Department for additional information.

ITEM	PART NO.	1 2 3 4 5	DESCRIPTION	QTY.
31	10387G3		COTTER PIN, 3/32" X 3/4" LG	5
32				
33				
34	70601G01		KICK-OFF LINK.....	1
35	17838G1		NYLON BUSHING.....	2
36	20835G1		TEFLON WASHER, 3/8"	2
37	00559G8		FLAT WASHER, 5/16"	2
38				
39	70098G01		KICK-OFF CAM PIVOT	1
40	10097G6		FLANGED BEARING	2
41	70587G01		KICK-OFF CAM.....	1
42	71215G01		SETSCREW, 1/4 - 20 X 1/2" LG.....	2
43	14134G4		SPACER	1
44				
45	70113G01		ADJUSTABLE BUMPER	1
46	11027G1		LOCK NUT, 5/16 - 18.....	1
47				
48	70080G02		CATCH BRACKET	1
49	00414G6		BOLT, 1/4 - 20 X 3/4" LG	2
50	14390G4		LOCK NUT, 1/4 - 20 (STAINLESS STEEL)	2
51				
52				
53	612211		BRAKE ASSEMBLY (DRIVER SIDE) (INCLUDES ITEMS 55 - 60, 63)	1
54	612189		BRAKE ASSEMBLY (PASSENGER SIDE) (INCLUDES ITEMS 55 - 60, 64).....	1
55	612411		BRAKE SHOE L.....	2
56	612412		BRAKE SHOE T.....	2
57	612413		DUST COVER.....	2
58	612415		BRAKE SPRING	1
59	612414		BRAKE SPRING	1
60	612416		SHOE CLAMP.....	2
61				

BRAKES

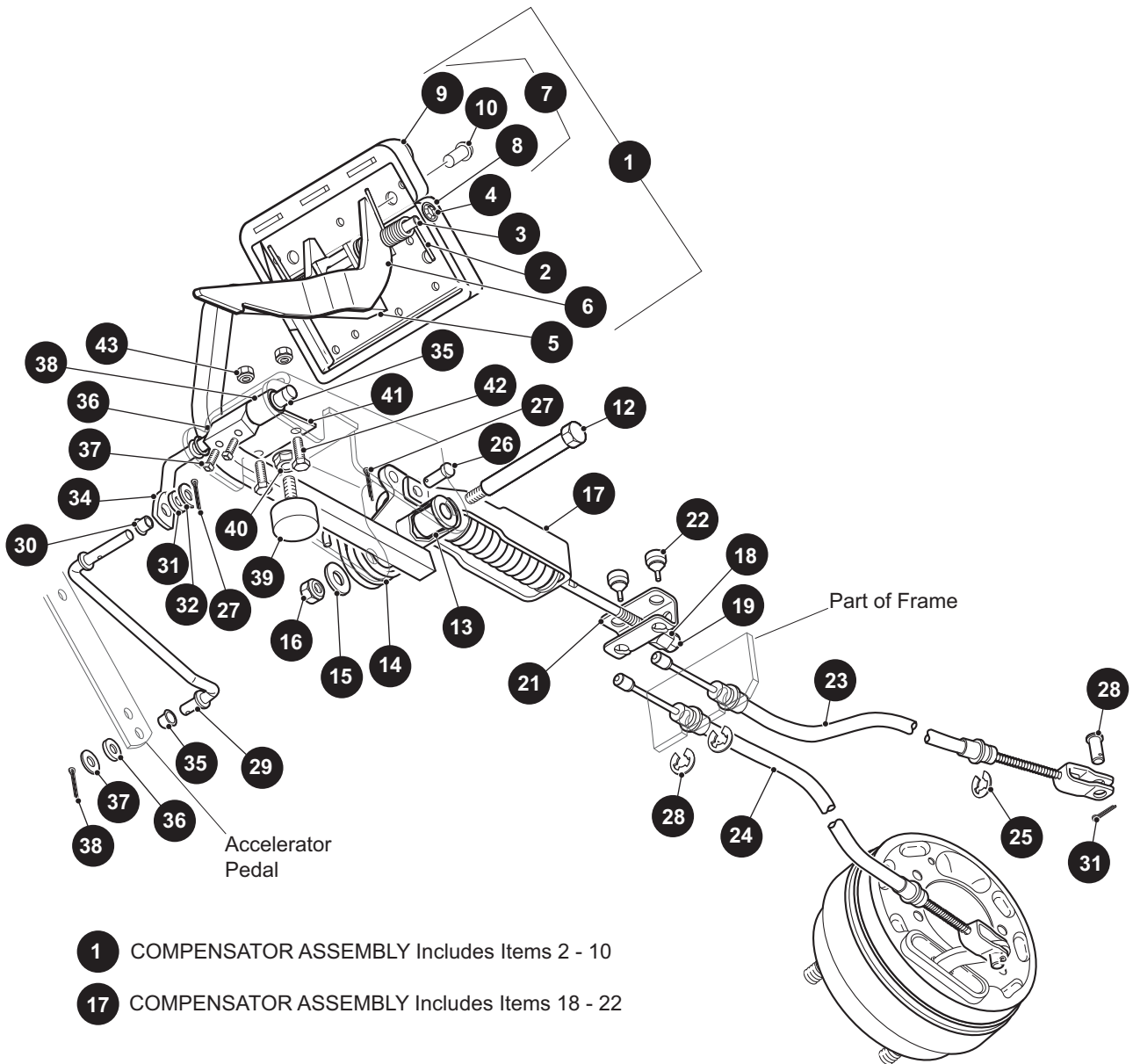
When ordering parts, please specify the model and serial number of the product.

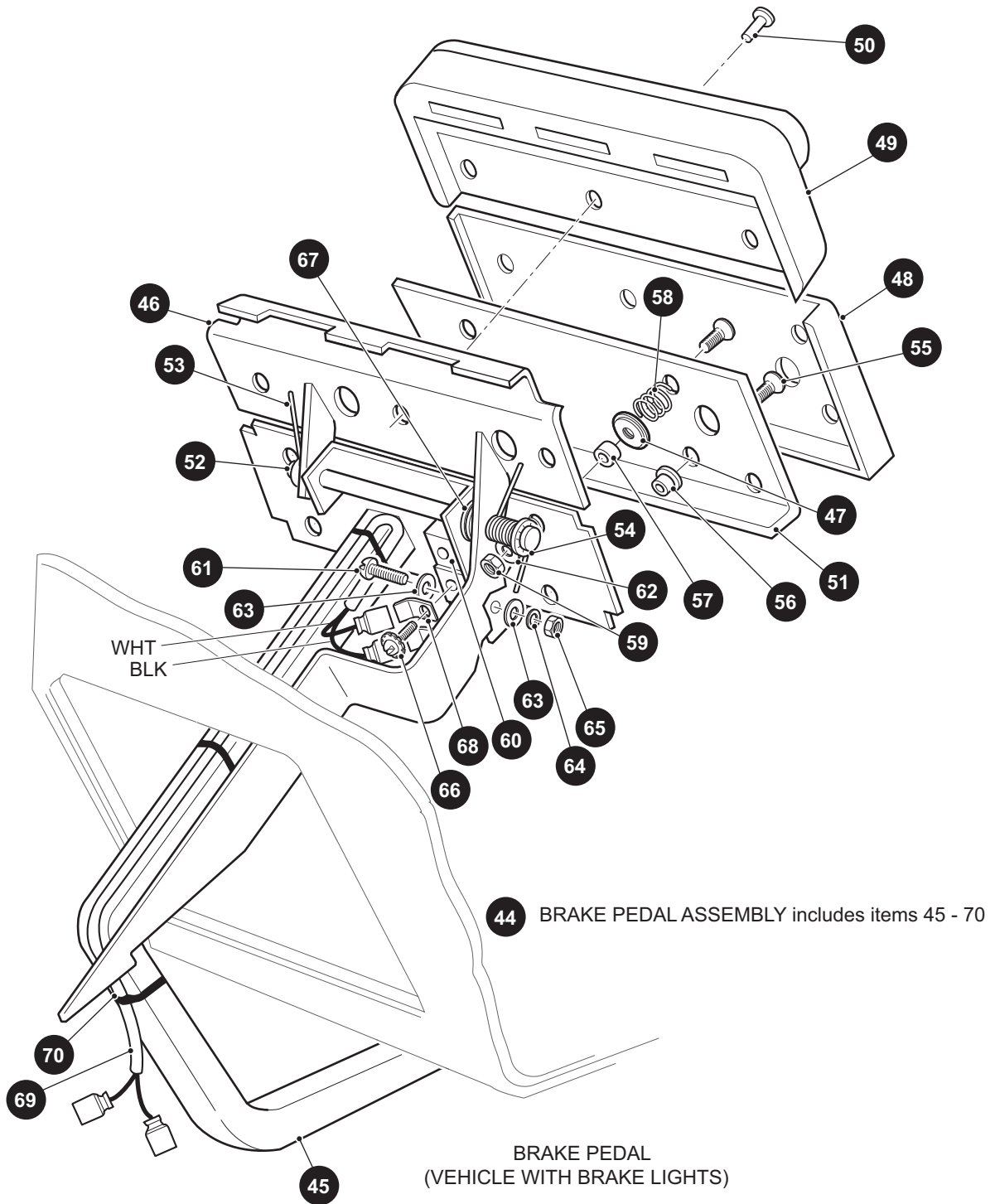
* Indicates a component that is not available as an individual part.

*** Indicates consult Customer Service Department for additional information.

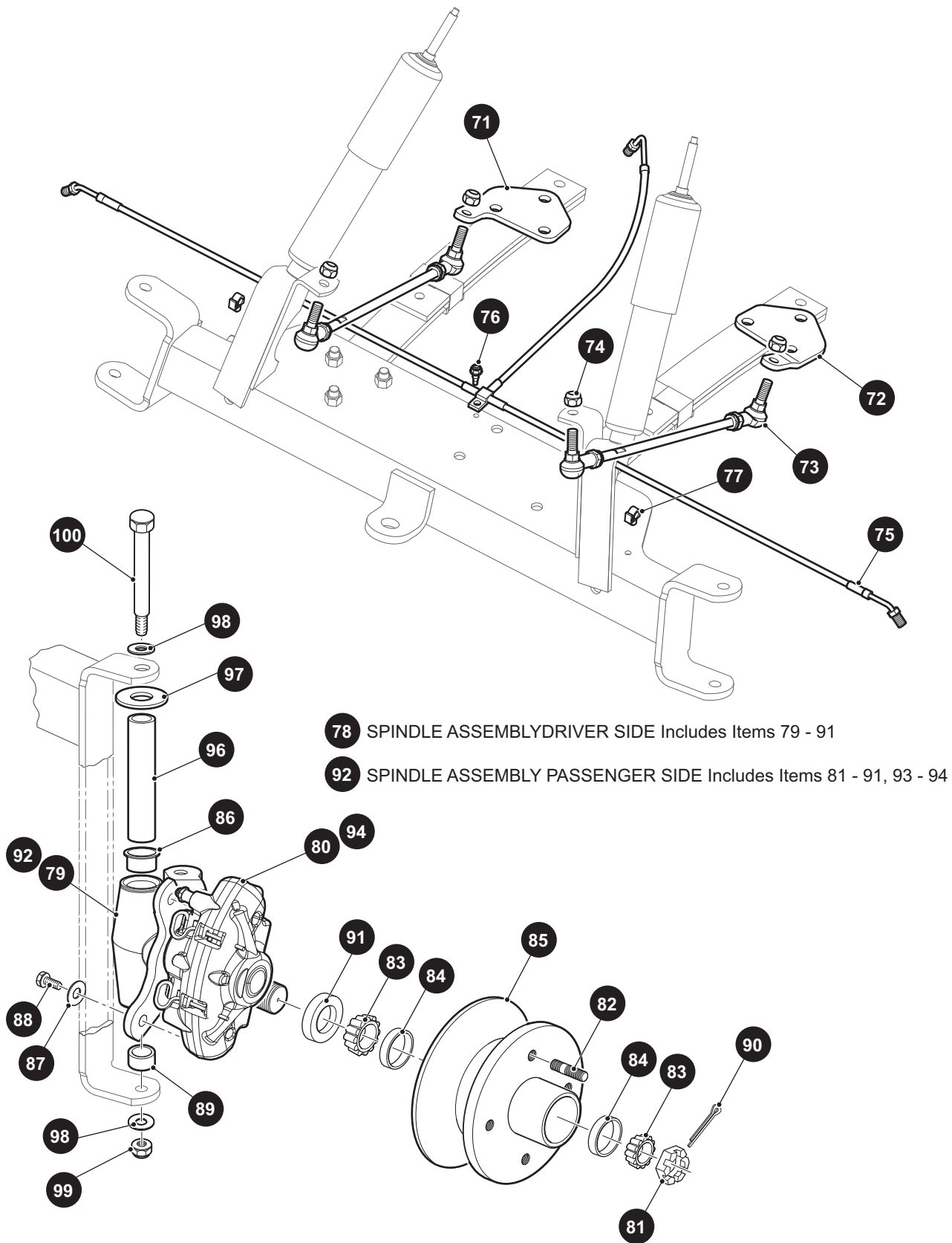
ITEM	PART NO.	1 2 3 4 5	DESCRIPTION	QTY.
62				
63	612418		GEAR ADJUSTER	1
64	612417		GEAR ADJUSTER	1
65				
66				
67	17083G2		BOLT, 5/16 - 24 X 1" LG.....	8
68	15126G1		LOCK NUT, 5/16 - 24	8
69	21809G1		INNER BRAKE DRUM WASHER, 1 5/16" OD X 1" ID X 1/32".....	2
70				
71	21807G2		BRAKE DRUM ASSEMBLY (INCLUDES ITEMS 72 - 73)	2
72	*		BRAKE DRUM.....	1
73	19862G2		LUG BOLT, 1/2 - 20 X 1 3/16" LG.....	4
74				
75				
76	606945		OUTER BRAKE DRUM WASHER.....	2
77	606403		SLOTTED NUT, M22 X 1.5	2
78	10387G1		COTTER PIN, 1/8" X 1 1/2" LG.....	2
79	74175G01		SPINDLE CAP	2
80				
81	608200		BRAKE CABLE BRACKET (PASSENGER SIDE)	1
82	608201		BRAKE CABLE BRACKET (DRIVER SIDE).....	1

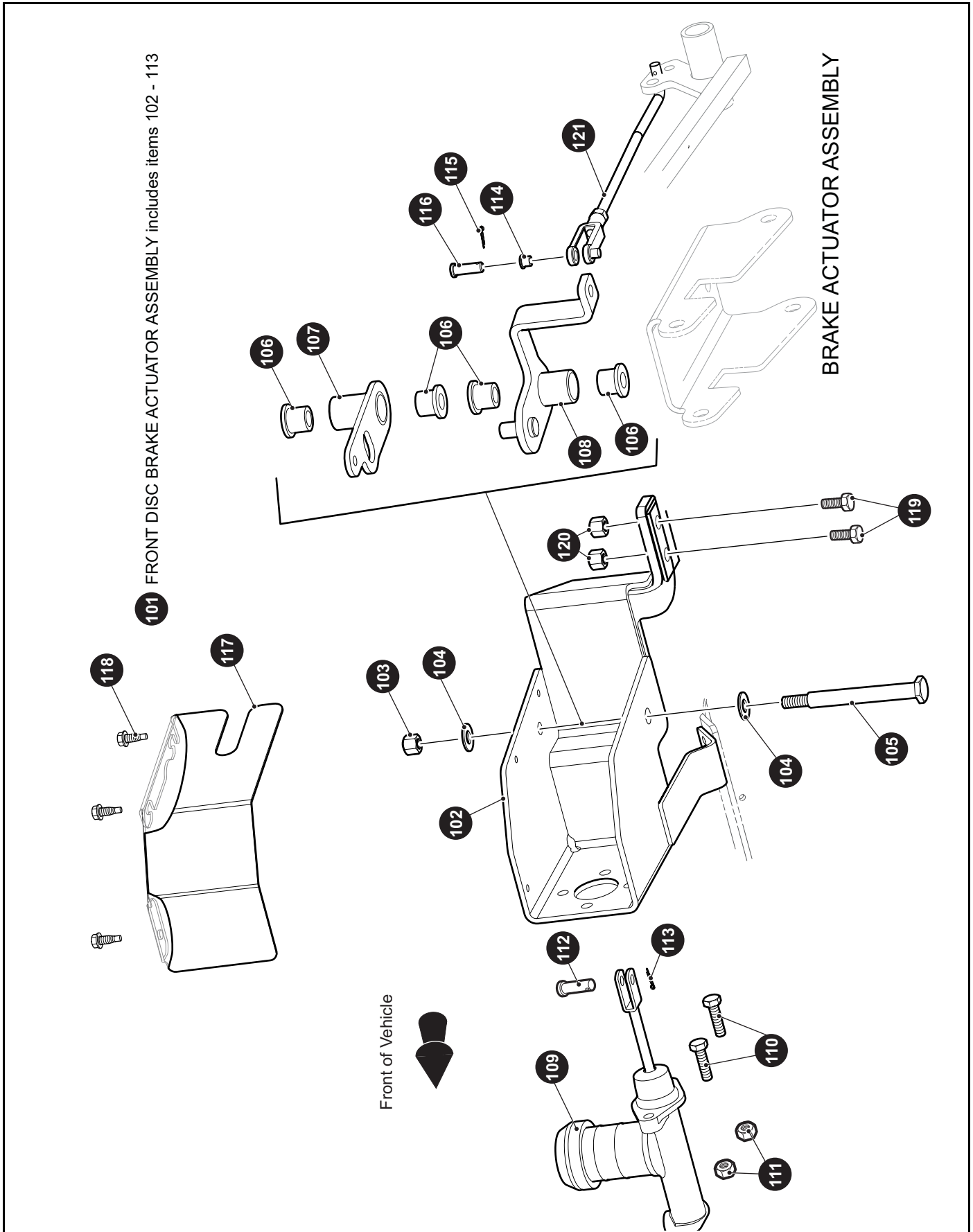
BRAKES - FRONT DISC





BRAKES - FRONT DISC





BRAKES - FRONT DISC

When ordering parts, please specify the model and serial number of the product.

* Indicates a component that is not available as an individual part.

*** Indicates consult Customer Service Department for additional information.

ITEM	PART NO.	1 2 3 4 5	DESCRIPTION	QTY.
1	74723G01		BRAKE PEDAL ASSEMBLY (INCLUDES ITEM 2 - 10)	1
2	70681G01		TORSION SPRING	2
3	70682G01		PIVOT PIN	1
4	01071G01		PUSHNUT, 5/16"	2
5	74721G01		BRAKE PEDAL	1
6	74724G01		PARK BRAKE PEDAL.....	1
7	70274G01		BRAKE/PARK BRAKE PEDAL PAD KIT (INCLUDES ITEMS 8 - 10)	1
8	*		SERVICE BRAKE PAD.....	1
9	*		PARK BRAKE PEDAL PAD	1
10	16409G1		OVAL RIVET, 3/16" X 15/32" LG	9
11				
12	70582G01		SHOULDER BOLT, 3/8 - 16 X 4" LG	1
13	70581G01		FLANGED BUSHING	2
14	70676G01		TORSION SPRING	1
15	00643G1		FLAT WASHER, 3/8"	1
16	11098G5		LOCK NUT, 3/8 - 16.....	1
17	612558		COMPENSATOR ASSEMBLY (INCLUDES ITEMS 18 - 22)	1
18	00963G01		SPHERICAL NUT, 5/16 - 24.....	1
19	11098G9		LOCK NUT, 5/16 - 24	1
20				
21	28082G01		EQUALIZER BRACKET	1
22	28083G01		BRAKE COMPENSATOR BUMPER.....	2
23	70968G08		BRAKE CABLE (DRIVER SIDE)	1
24	70968G09		BRAKE CABLE (PASSENGER SIDE).....	1
25	01111G01		RETAINING RING, S.S.	4
26	10386G3		CLEVIS PIN, 5/16" X 1" LG	5
27	10387G3		COTTER PIN, 3/32" X 3/4" LG	3
28				
29	70601G01		KICK-OFF LINK.....	1
30	17838G1		NYLON BUSHING.....	2

BRAKES - FRONT DISC

When ordering parts, please specify the model and serial number of the product.

* Indicates a component that is not available as an individual part.

*** Indicates consult Customer Service Department for additional information.

ITEM	PART NO.	1 2 3 4 5	DESCRIPTION	QTY.
31	20835G1		FLAT WASHER, 3/8".....	2
32	00559G8		FLAT WASHER, 5/16".....	2
33				
34	70098G01		KICK-OFF CAM PIVOT.....	1
35	10097G6		FLANGED BEARING.....	2
36	70587G01		KICK-OFF CAM.....	1
37	71215G01		SETSCREW, 1/4 - 20 X 1/2" LG.....	2
38	14134G4		SPACER.....	1
39	70113G01		ADJUSTABLE BUMPER.....	1
40	11027G1		LOCK NUT, 5/16 - 18.....	1
41	70080G02		CATCH BRACKET.....	1
42	00414G8		BOLT, 1/4 - 20 X 3/4" LG.....	2
43	14390G4		LOCK NUT, 1/4 - 20.....	2
44	74874G01		BRAKE PEDAL ASSEMBLY (WITH BRAKE LIGHTS) (INCLUDES ITEMS 45 - 70).....	1
45	74870G01		BRAKE PEDAL.....	1
46	607395		PARK BRAKE PEDAL.....	1
47	00642G8		FLAT WASHER, 5/16".....	1
48	70257G01		SERVICE BRAKE PAD.....	1
49	70256G01		PARK BRAKE PAD.....	1
50	16409G1		OVAL RIVET, 3/16" X 15/32" LG.....	9
51	70258G03		BRAKE PEDAL PLATE.....	1
52	70682G01		PIVOT PIN.....	1
53	70681G01		TORSION SPRING.....	2
54	01071G01		PUSHNUT, 5/16".....	2
55	00737G8		SCREW, #10 - 24 X 1" LG.....	4
56	00739G1		RUBBER NUT, #10 - 24.....	2
57	74535G01		BRAKE PEDAL STANDOFF.....	2
58	27137G01		CONICAL SPRING.....	2
59	14390G10		LOCK NUT, #10 - 24.....	2
60	10606G8		MICRO SWITCH.....	1

BRAKES - FRONT DISC

When ordering parts, please specify the model and serial number of the product.

* Indicates a component that is not available as an individual part.

*** Indicates consult Customer Service Department for additional information.

ITEM	PART NO.	1	2	3	4	5	DESCRIPTION	QTY.
61	00645-G2						SCREW, #6 - 32 X 1 1/4" LG	2
62	00559G5						FLAT WASHER, #10	2
63	00559G3						FLAT WASHER, #6	4
64	00565G3						LOCK WASHER, #6	2
65	00525G5						NUT, #6 - 32	2
66	13514G1						SCREW AND LOCK WASHER, #6	2
67	20835G1						WASHER, TEFLON, 3/8"	2
68	14628G1						FASTON TAB	2
69	24605G1						WIRE HARNESS (BRAKE LIGHT)	1
70	17618G1						WIRE TIE	3
71	74731G02						SPRING PLATE (PASSENGER SIDE)	1
72	74731G01						SPRING PLATE (DRIVER SIDE)	1
73	74730G01						FOUR LINK ROD	2
74	01084G01						LOCK NUT, M10 -1.25	4
75	74736G01						BRAKE LINE	1
76	01038G01						BOLT, 1/4 - 20 X 1/2" LG	1
77	74875G01						WIRE RETAINER	2
78	602281						SPINDLE ASSEMBLY (DRIVER SIDE) (INCLUDES ITEMS 79 - 91)	1
79	602176						DISC BRAKE SPINDLE (DRIVER SIDE)	1
80	74733G02						CALIPER (DRIVER SIDE)	1
81	12093G1						SLOTTED HEX NUT, 17/32"	1
82	74864G01						DRIVE FLANGE STUD	4
83	11750G2						ROLLER BEARING	2
84	51141G1						BEARING RACE	2
85	74673G01						DISC BRAKE HUB	1
86	70648G01						FLANGED BEARING	1
87	00566G1						WASHER, 3/8"	2
88	00426G6						BOLT, 3/8 - 16 X 1	2
89	70749G01						BEARING	1
90	00798G8						COTTER PIN, 5/32 X 1-3/4	1
91	25146G1						GREASE SEAL	1

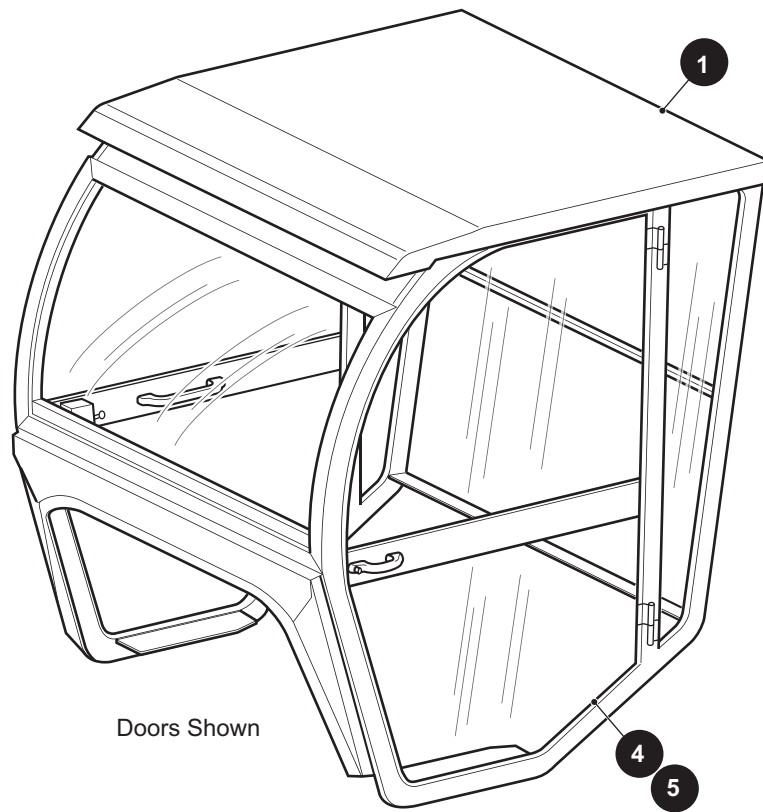
BRAKES - FRONT DISC

When ordering parts, please specify the model and serial number of the product.

* Indicates a component that is not available as an individual part.

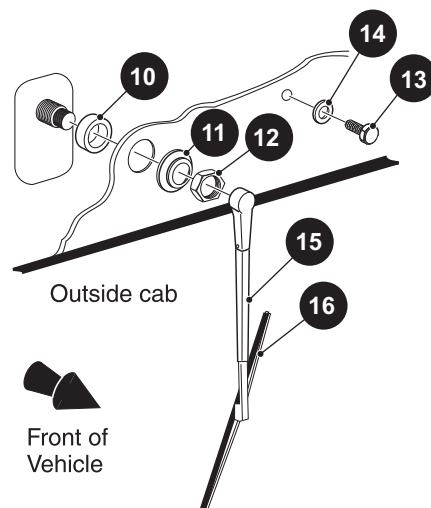
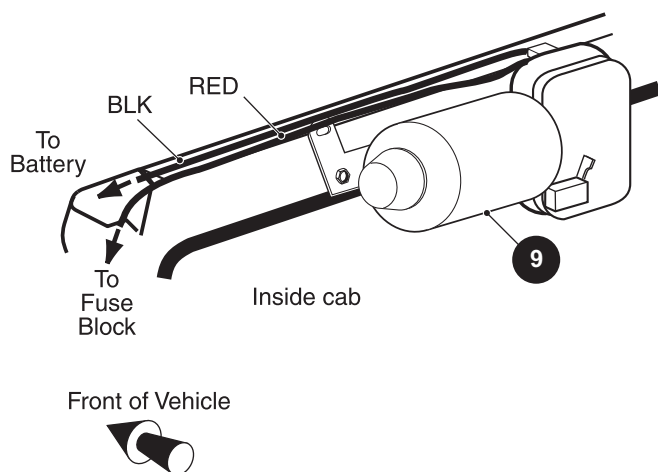
*** Indicates consult Customer Service Department for additional information.

ITEM	PART NO.	1 2 3 4 5	DESCRIPTION	QTY.
92	602288		SPINDLE ASSEMBLY (INCLUDES ITEMS 81 - 91, 93, 94).....	1
93	602158		DISC BRAKE SPINDLE (PASSENGER SIDE).....	1
94	74733G01		CALIPER (PASSENGER SIDE)	1
95				
96	70745G01		KINGPIN TUBE.....	2
97	70754G01		THRUST WASHER.....	2
98	00560G3		FLAT WASHER, 1/2".....	4
99	14390G6		LOCKNUT, 1/2 - 13	2
100	00407G6		CAPSCREW, 1/2 - 13 X 6" LG.....	2
101	608706		FRONT DISC BRAKE BRAKE ACTUATOR ASSEMBLY (INCLUDES ITEMS 102 - 113).....	1
102	612706		MASTER CYLINDER WELDMENT	1
103	11098G5		PLASTIC LOCK NUT, 3/8 - 16.....	1
104	00679G1		FLAT WASHER (STAINLESS STEEL), 3/8".....	1
105	74711G01		ACTUATOR PIVOT BOLT	1
106	70581G02		ACETAL BUSHING.....	4
107	608122		UPPER BRAKE WELDMENT BRACKET	1
108	608118		LOWER BRAKE WELDMENT BRACKET	1
109	887364		MASTER CYLINDER	1
110	00439G1		HEX HEAD CAP SCREW 5/16 - 18	2
111	11098G6		LOCK NUT, 5/16 - 18"	2
112	10386G3		CLEVIS PIN, 5/16 X 1" LG	1
113	10387G3		COTTER PIN, 3/32" X 3/4" LG	1
114	17838G1		BUSHING.....	4
115	10387G3		COTTER PIN, 3/32" X 3/4" LG.....	2
116	10386G3		CLEVIS PIN, 5/16" X 1" LG.....	4
117	612704		ACTUATOR COVER.....	1
118	01038G01		BOLT, 1/4 - 20 X 1/2" LG.....	3
119	00414G8		BOLT, 1/4 - 20 X 1 1/4" LG.....	4
120	00891G2		LOCKNUT, 1/4 - 20	4
121	608943		ACTUATOR LINKAGE	1

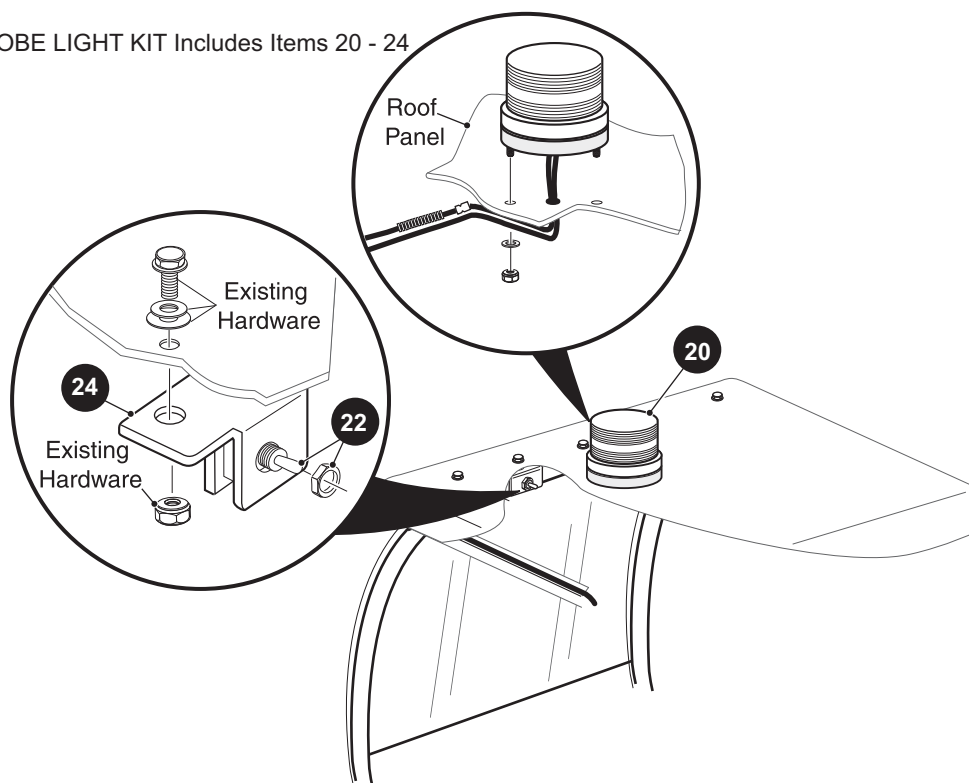


Doors Shown

8 WINDSHIELD WIPER KIT Includes Items 9 - 17

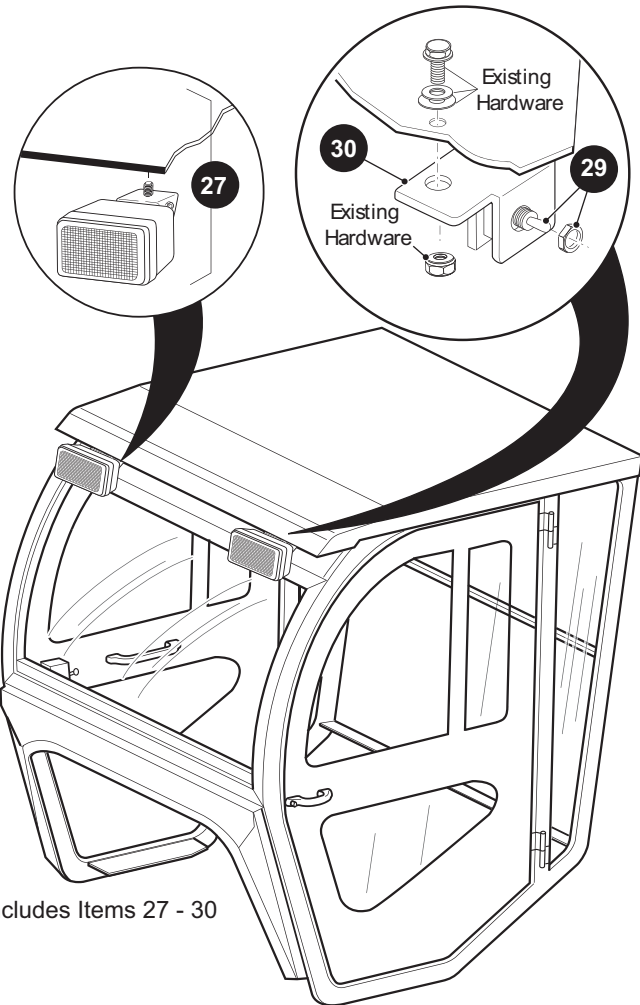
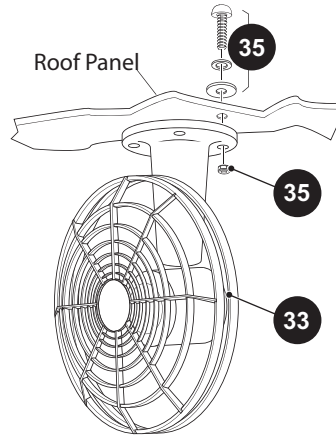
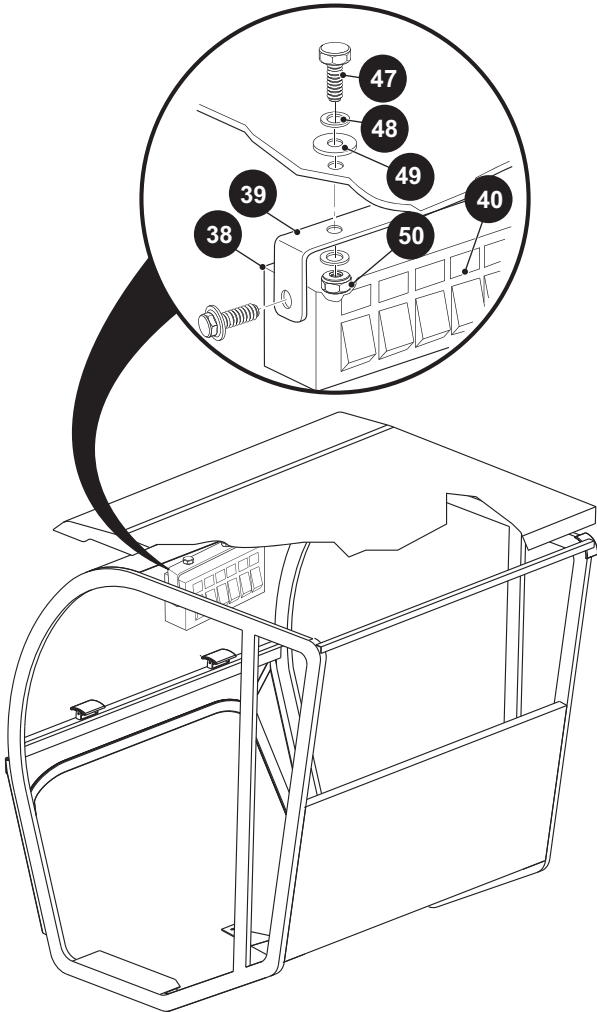


19 STROBE LIGHT KIT Includes Items 20 - 24



37 SWITCH PANEL KIT Includes Items 38 - 52

32 DEFROSTER / COOLING FAN KIT Includes Items 33 - 35



26 WORK LIGHT KIT Includes Items 27 - 30

When ordering parts, please specify the model and serial number of the product.

* Indicates a component that is not available as an individual part.

*** Indicates consult Customer Service Department for additional information.

ITEM	PART NO.	1 2 3 4 5	DESCRIPTION	QTY.
1	72684G**		STEEL CAB (WITHOUT DOORS) REPACEMENT PARTS AND ACCESSORIES MAY BE OBTAINED FROM CURTIS CAB, INC.)	1
2				
3				
4	75856G**		STEEL DOOR KIT	1
5	75855G01		VINYL DOOR SET, TAN	1
6				
7				
8	74244G01		WINDSHIELD WIPER KIT (INCLUDES ITEMS 9 -17)	1
9	9PWM85		WIPER MOTOR (INCLUDES ITEMS 10 - 14).....	1
10	*		SPACER.....	1
11	*		SHAFT COVER (SEAL)	1
12	*		NUT	1
13	*		BOLT	1
14	*		WASHER	1
15	9PWA		WIPER ARM.....	1
16	9PWB		WINDSHIELD WIPER BLADE	1
17	9E003		ELECTRICAL HARDWARE KIT (NOT ILLUSTRATED).....	1
18				
19	74245G01		STROBE LIGHT KIT (INCLUDES ITEMS 20 - 24)	1
20	9PSLRL		STROBE LENS	1
21	9E001		ELECTRICAL HARDWARE KIT (NOT ILLUSTRATED).....	1
22	9E002		TOGGLE SWITCH.....	1
23	9PSLRB		REPLACEMENT BULB (NOT ILLUSTRATED)	1
24	9PB001		BRACKET.....	1
25				
26	74247G01		WORK LIGHT KIT (INCLUDES ITEMS 27 - 30)	1
27	9LW1A		WORK LIGHT (INCLUDES HARDWARE)	2
28	9E001		ELECTRICAL HARDWARE KIT (NOT ILLUSTRATED).....	1
29	9E002		TOGGLE SWITCH.....	1
30	9PB001		BRACKET.....	1

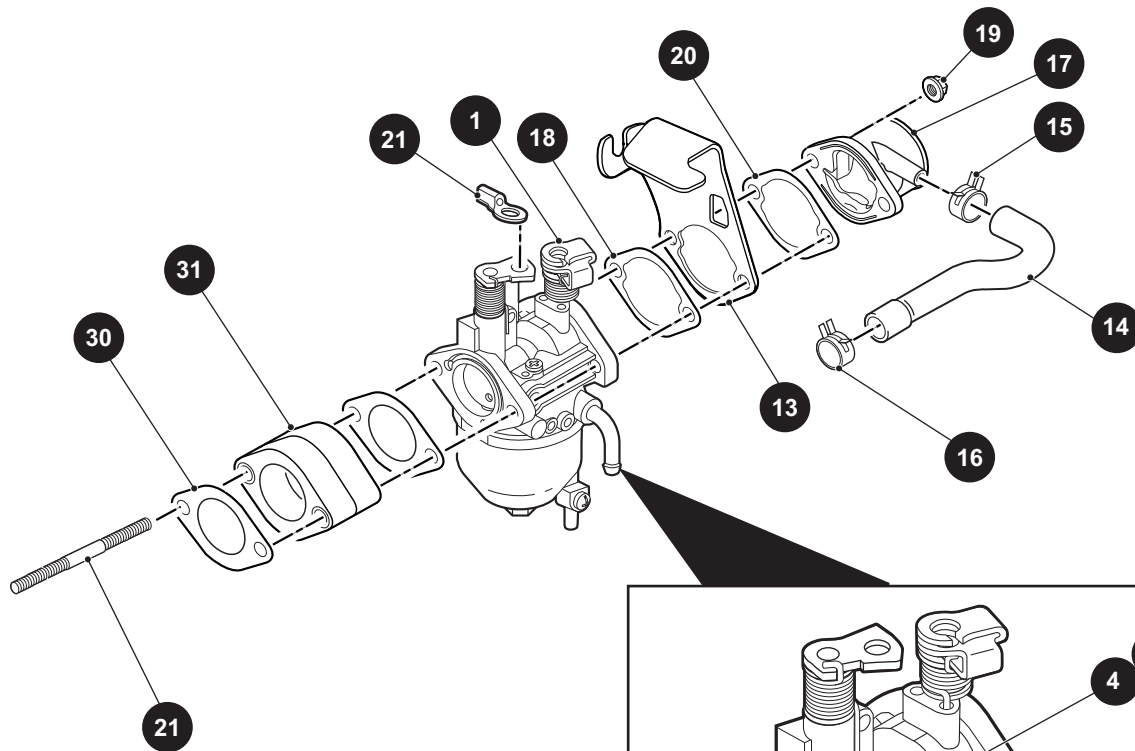
When ordering parts, please specify the model and serial number of the product.

* Indicates a component that is not available as an individual part.

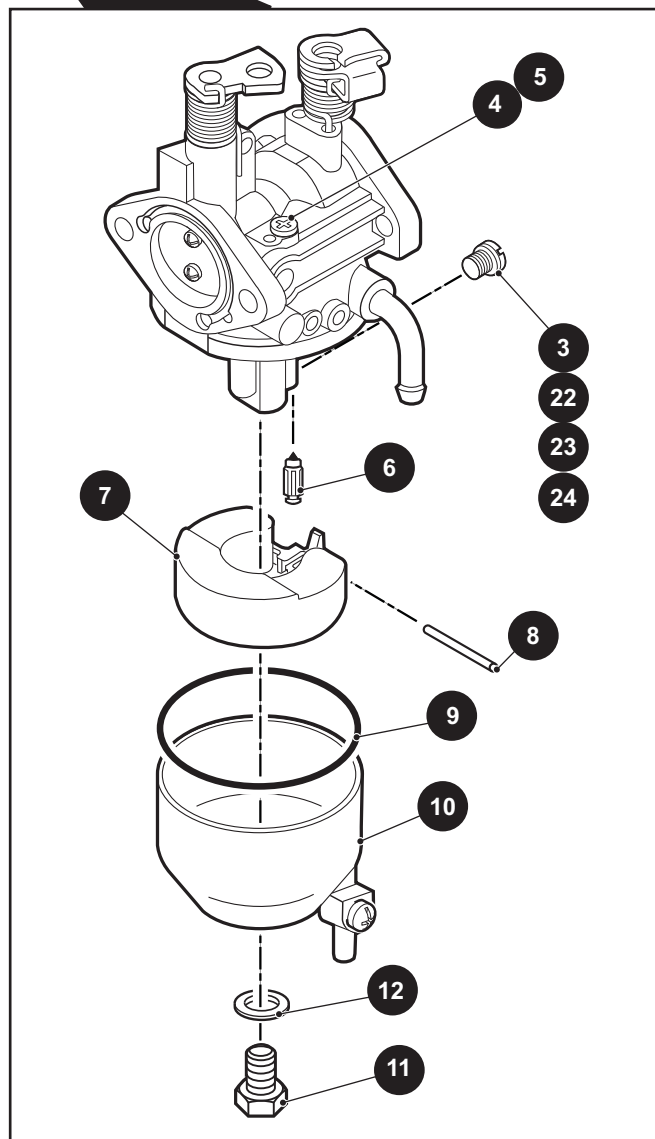
*** Indicates consult Customer Service Department for additional information.

ITEM	PART NO.	1	2	3	4	5	DESCRIPTION	QTY.
31								
32	74248G01						DEFROSTER / COOLING FAN KIT (INCLUDES ITEMS 33 - 35)	1
33	9PDF						FAN	1
34	9E001						ELECTRICAL HARDWARE KIT (NOT ILLUSTRATED)	1
35	9PFHK						HARDWARE KIT.....	1
36								
37	74250G01						SWITCH PANEL KIT (INCLUDES ITEMS 38 - 52)	1
38	9PSF1001						SWITCH PANEL	1
39	9PSF1002						MOUNTING BRACKET AND HARDWARE	1
40	9PSF1003						ADHESIVE LABELS	1
41	9PSF1004						3 AMP FUSE (NOT ILLUSTRATED).....	2
42	9PSF1005						5 AMP FUSE (NOT ILLUSTRATED).....	3
43	9PSF1006						7.5 AMP FUSE (NOT ILLUSTRATED).....	1
44	9PSF1007						FLEX LOOM, 5/8" X 10 FT LG (NOT ILLUSTRATED).....	1
45	9PSF1008						4-WAY BASE TIE (NOT ILLUSTRATED).....	6
46	9PSF1009						WIRE TIE (NOT ILLUSTRATED).....	14
47	9PSF1010						BOLT, 1/4 - 20 X 7/8" LG.....	2
48	9PSF1011						WASHER, 1/4"	4
49	9PSF1012						NYLON WASHER, 1/4".....	2
50	9PSF1013						LOCK NUT, 1/4 - 20	2
51	9PSF1014						10 GA WIRE (RED 8") (NOT ILLUSTRATED)	1
52	9PSF1015						10 GA WIRE (BLACK 8") (NOT ILLUSTRATED).....	1

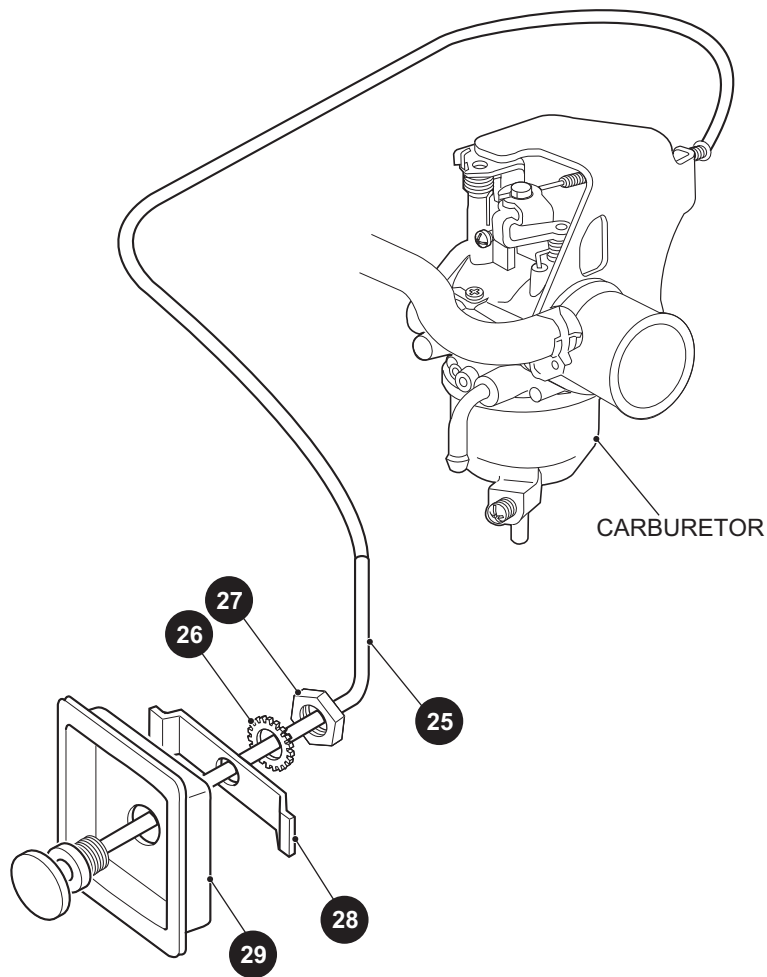
CARBURETOR AND CHOKE



1 CARBURETOR Includes Items 3 - 22



CARBURETOR AND CHOKE



CARBURETOR AND CHOKE

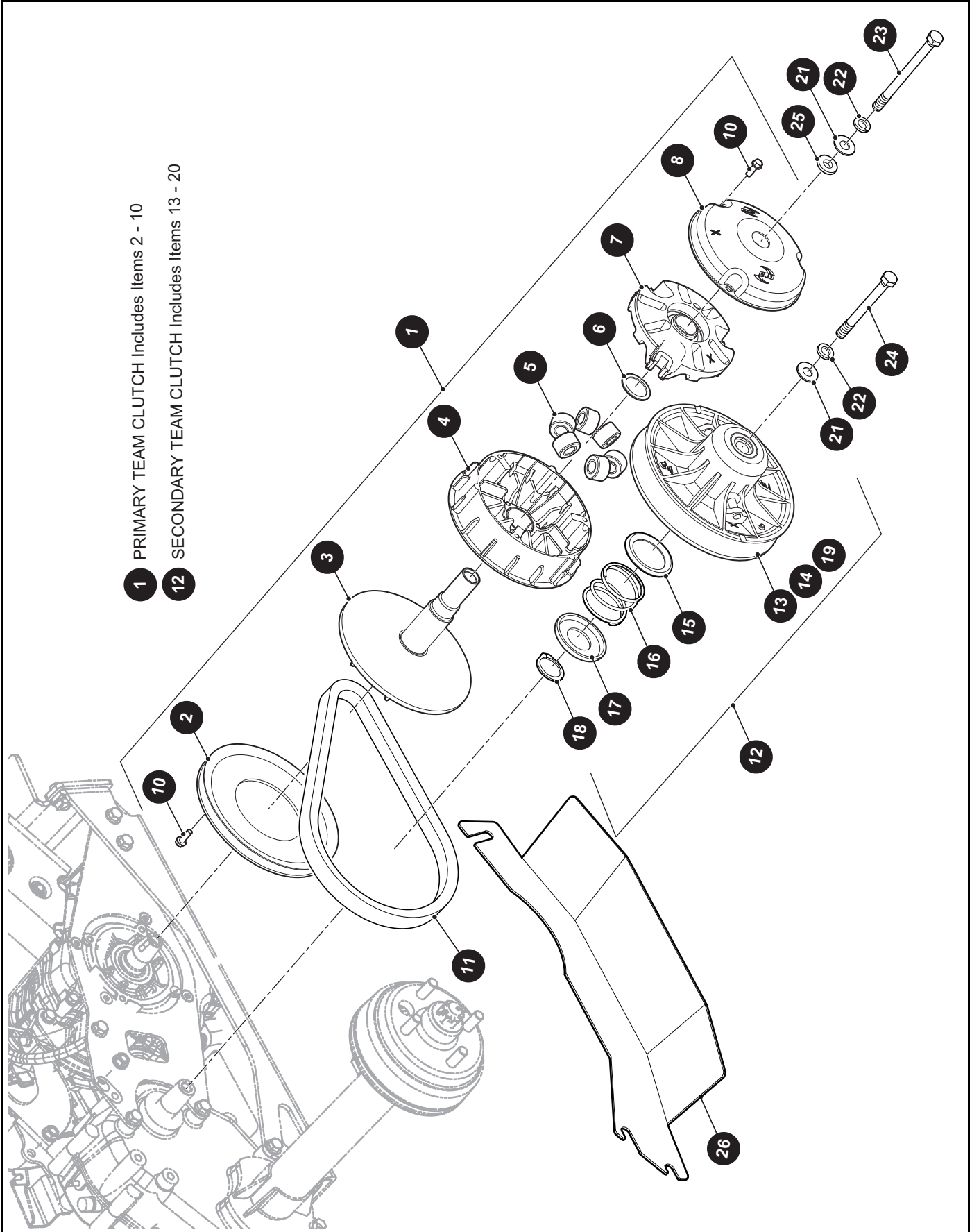
When ordering parts, please specify the model and serial number of the product.

* Indicates a component that is not available as an individual part.

*** Indicates consult Customer Service Department for additional information.

ITEM	PART NO.	1 2 3 4 5	DESCRIPTION	QTY.
1	607955		CARBURETOR (INCLUDES ITEMS 3 - 22).....	1
2				
3	607683		MAIN JET (#104)	1
4	607021		PILOT JET (#44)	1
5	603585		PLUG	1
6	603586		NEEDLE VALVE.....	1
7	603587		FLOAT.....	1
8	603588		FLOAT PIN.....	1
9	603589		FLOAT BOWL GASKET.....	1
10	603590		FLOAT CHAMBER.....	1
11	603592		BOWL SCREW	1
12	603591		BOWL GASKET	1
13	603583		CHOKE BRACKET	1
14	603598		BREATHER TUBE	1
15	603596		CLAMP, INTAKE TUBE	1
16	603597		CLAMP CYLINDER HEAD TUBE	1
17	603594		INTAKE TUBE.....	1
18	603593		CHOKE GASKET.....	2
19	603595		NUT, M6 X 1.0.....	2
20	608023		THROTTLE ROD ATTACHMENT BUSHING.....	1
21	603584		STUD BOLT, 6 x 105.....	2
22	607389		MAIN JET (#102) (FOR ELEVATIONS OF 3000 FT UPWARDS)	1
23	607684		MAIN JET (#102) (FOR ELEVATIONS OF 6000 FT - 10000 FT).....	1
24	607983		MAIN JET (#104) (FOR ELEVATIONS OF 3000 FT - 6000 FT).....	1
25	605868		CHOKE CABLE (SWB)	1
26	00568G4		LOCK WASHER, 9/16"	1
27	00545G4		JAM NUT, 9/16 - 18	1
28	72155G01		RETAINER.....	1
29	72154G01		CHOKE CABLE ADAPTER.....	1
30	603580		CARBURETOR MOUNT GASKET.....	2
31	603580		CARBURETOR INSULATOR	1

CLUTCH



When ordering parts, please specify the model and serial number of the product.

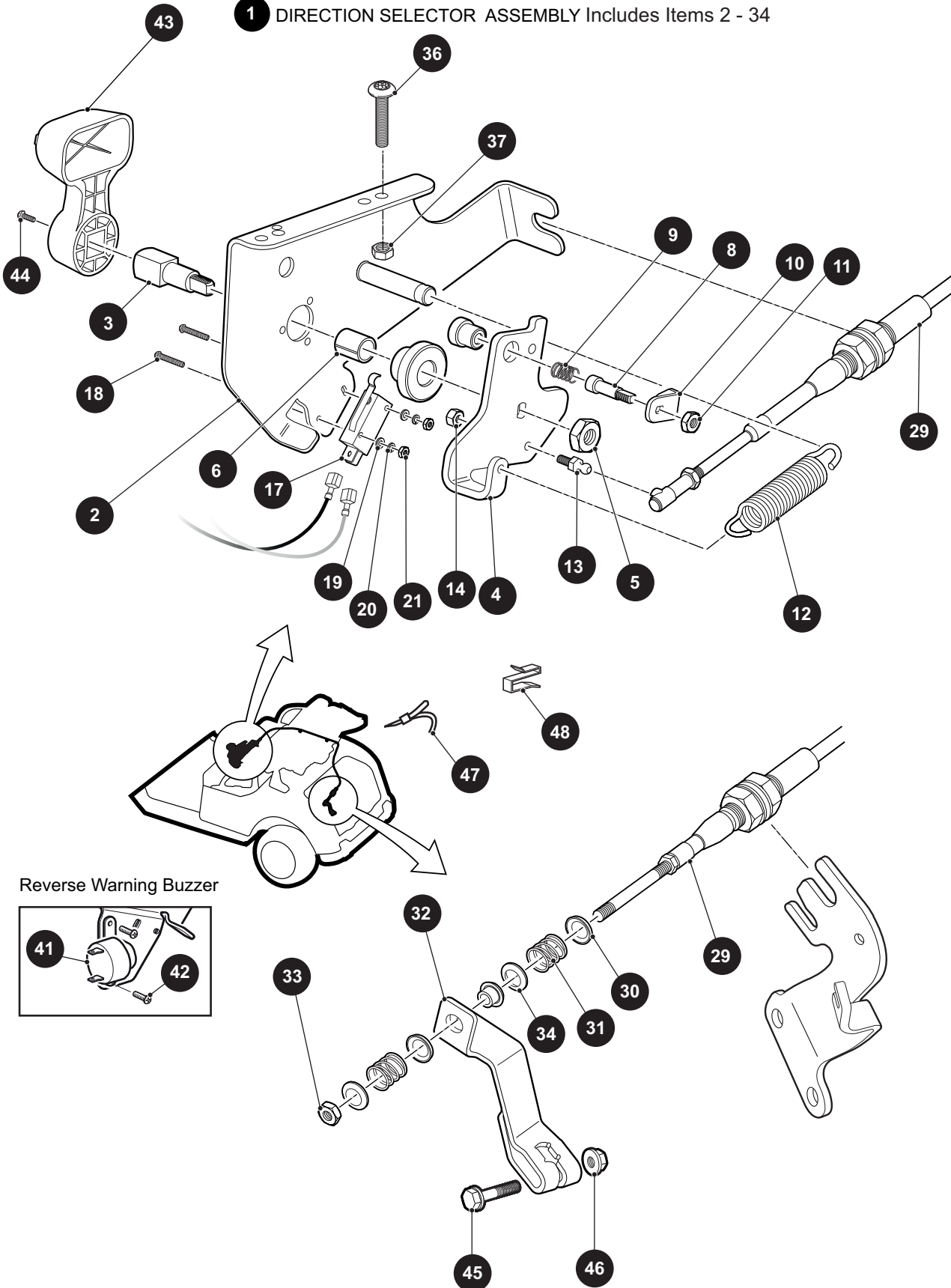
* Indicates a component that is not available as an individual part.

*** Indicates consult Customer Service Department for additional information.

ITEM	PART NO.	1 2 3 4 5	DESCRIPTION	QTY.
1	623948		PRIMARY TEAM CLUTCH (INCLUDES ITEMS 2 - 10)	1
2	619333		PRIMARY STARTER PULLY, 195 - SVC.....	1
3	619334		STATIONARY ASSEMBLY	1
4	619335		MOVEABLE PRIMARY ASSEMBLY	1
5	624112		SHIFT ROLLER ASSEMBLY.....	6
6	619337		SHIM, 39.5 X 31.75	1
7	619338		PRIMARY SPIDER ASSEMBLY	1
8	619339		PRIMARY DUST COVER ASSEMBLY.....	1
9				
10	619332		BOLT, 1/4 - 20 X.75	7
11	618630		DRIVE BELT	1
12	623949		SECONDARY TEAM CLUTCH (INCLUDES ITEMS 13 - 20).....	1
13	*		SECONDARY STATIONARY, 9.5.....	1
14	*		MOVEABLE SECONDARY, 9.5.....	1
15	619327		INNER RETAINER SPRING.....	1
16	624111		COMPRESSION SPRING, 2.70 OD.....	1
17	619329		OUTER SPRING RETAINER	1
18	619330		RETAINER RING.....	1
19	619331		THRUST WASHER, 1.530 x 1.830 x 1.....	1
20				
21	606239		CONICAL WASHER, M12	2
22	00566G3		SPRING TYPE LOCK WASHER	2
23	606245		HEX BOLT, M12 - 1.25 X 160	1
24	606243		HEX BOLT, M12 - 1.25 X 120	1
25	606230		CLUTCH WASHER.....	1
26	605950		CLUTCH BELT SHIELD.....	1

DIRECTION SELECTOR

1 DIRECTION SELECTOR ASSEMBLY Includes Items 2 - 34



DIRECTION SELECTOR

When ordering parts, please specify the model and serial number of the product.

* Indicates a component that is not available as an individual part.

*** Indicates consult Customer Service Department for additional information.

ITEM	PART NO.	1 2 3 4 5	DESCRIPTION	QTY.
1	603416		DIRECTION SELECTOR ASSEMBLY (INCLUDES ITEMS 2 - 34)	1
2	606077		DIRECTION SELECTOR BRACKET.....	1
3	70233G01		DIRECTION SELECTOR SHAFT	1
4	603700		DIRECTION SELECTOR CAM.....	1
5	14390G1		LOCK NUT, 3/8 - 24.....	1
6	25664G2		BUSHING	1
7				
8	72724G01		NEUTRAL LOCK PIN	1
9	72733G01		COMPRESSION SPRING, 3/8" X 5/8" LG	1
10	72729G01		NEUTRAL LOCK LATCH.....	1
11	00734G2		LOCK NUT, 1/4 - 28.....	1
12	28574G01		EXTENSION SPRING	1
13	72732G01		BALL STUD, 1/4"	1
14	00734G5		LOCK NUT, #10 - 32.....	1
15				
16				
17	72736G01		MICRO SWITCH	1
18	01062G01		SCREW, #4 - 40 X 1" LG.....	2
19	00559G1		FLAT WASHER, #4	2
20	00565G1		LOCK WASHER, #4	2
21	00526G2		NUT, #4 - 40	2
22				
23				
24				
25				
26				
27				
28				
29	603615		PUSH/PULL CABLE	1
30	25727G01		CUP WASHER, 1/4"	4
31	72735G01		COMPRESSION SPRING, 19/32" X 1" LG	2

DIRECTION SELECTOR

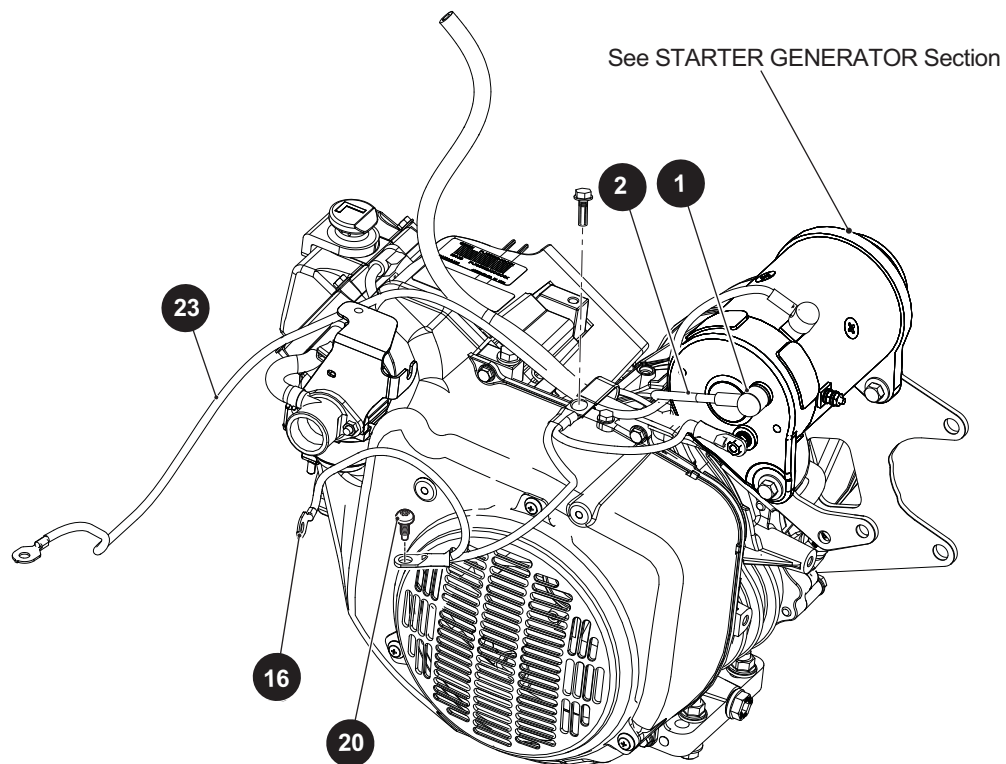
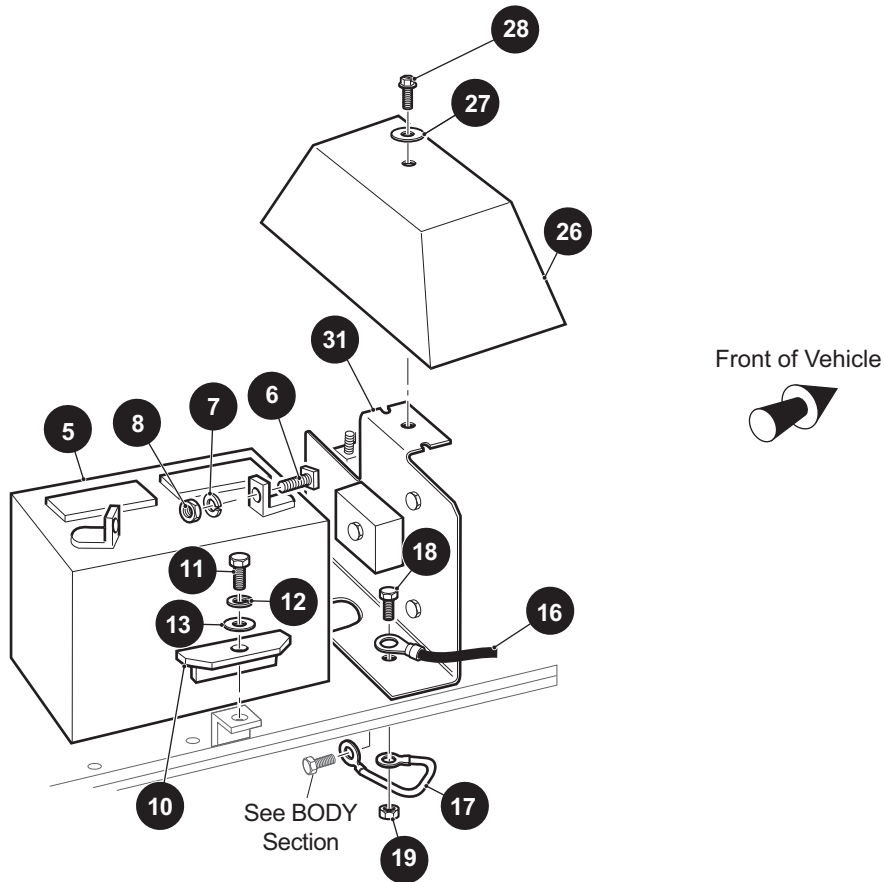
When ordering parts, please specify the model and serial number of the product.

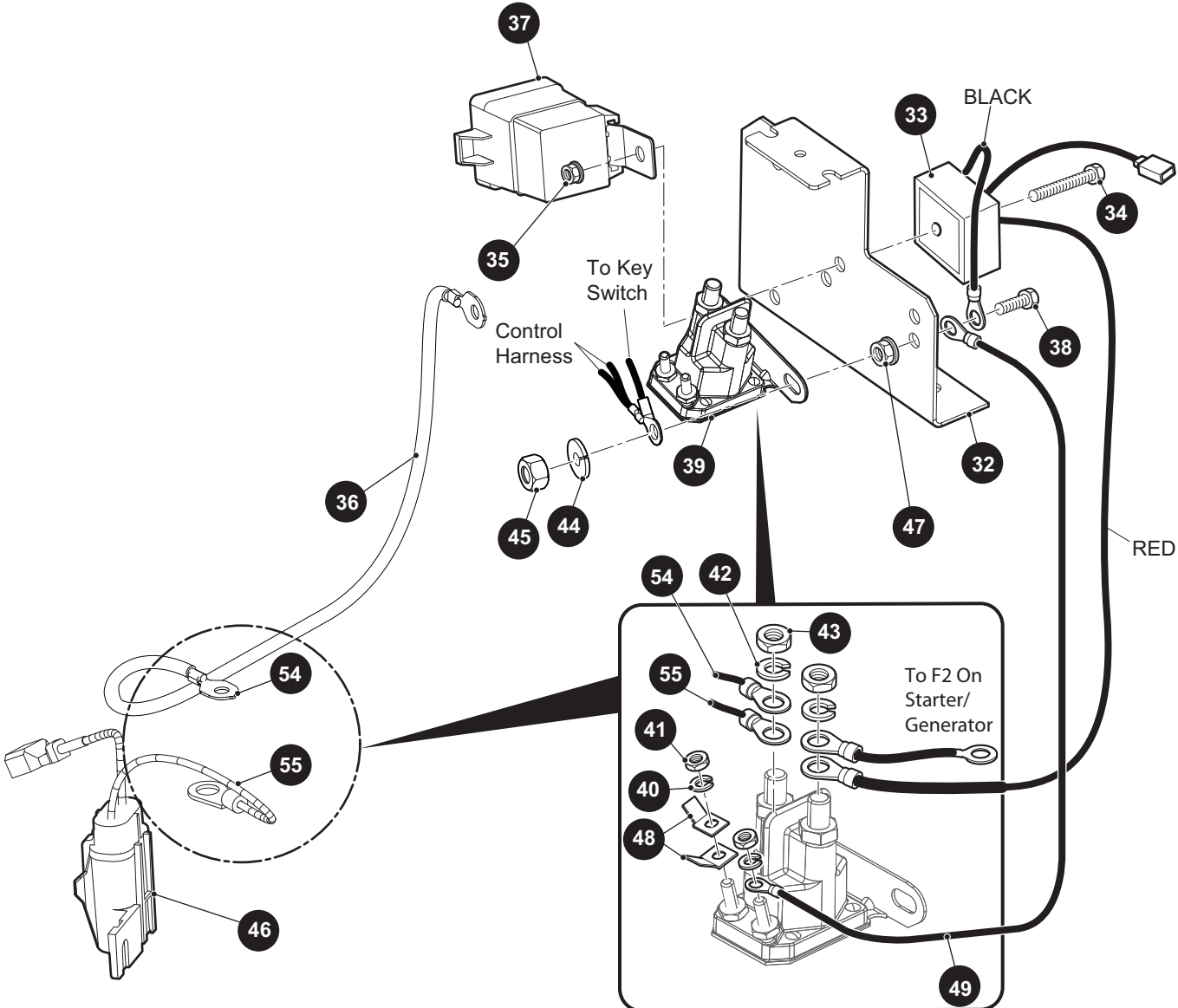
* Indicates a component that is not available as an individual part.

*** Indicates consult Customer Service Department for additional information.

ITEM	PART NO.	1	2	3	4	5	DESCRIPTION	QTY.
32	606014						PIVOT BRACKET WITH BUSHING.....	1
33	00734G5						LOCK NUT, #10 - 32	1
34	22754G4						BUSHING, FLIP LOK, .250	1
35								
36	70227G01						SCREW, 1/4 - 20 X 7/8" LG.....	2
37	11027G2						LOCK NUT, 1/4 - 20.....	2
38								
39								
40								
41	73290G03						REVERSE WARNING BUZZER.....	1
42	01063G01						SCREW, #6 - 32 X 3/8" LG.....	2
43	71205G01						DIRECTION SELECTOR HANDLE	1
44	00740G4						SCREW, #10 - 32 X 1/2" LG (STAINLESS STEEL)	1
45	606421						BOLT, M6-1 X 30	1
46	450452						NUT, M6 -1.00 HSF	1
47	31539G1						WIRE TIE.....	1
48	01072G01						CABLE CLIP.....	1

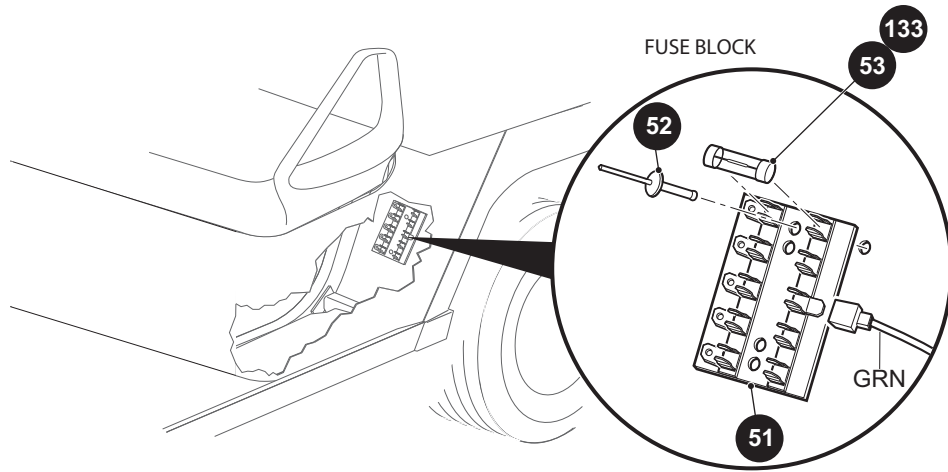
ELECTRICAL SYSTEM



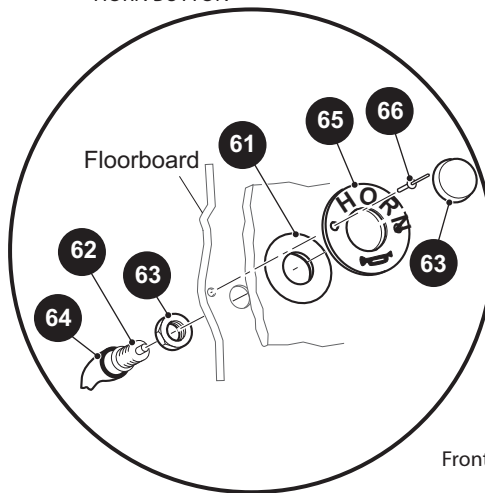


31 ELECTRIC PLATE ASSEMBLY Includes Items 32 - 49

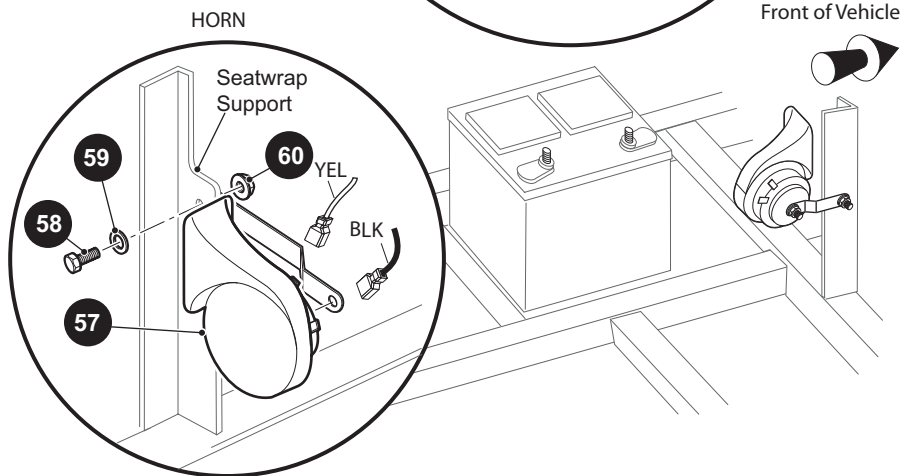
ELECTRICAL SYSTEM

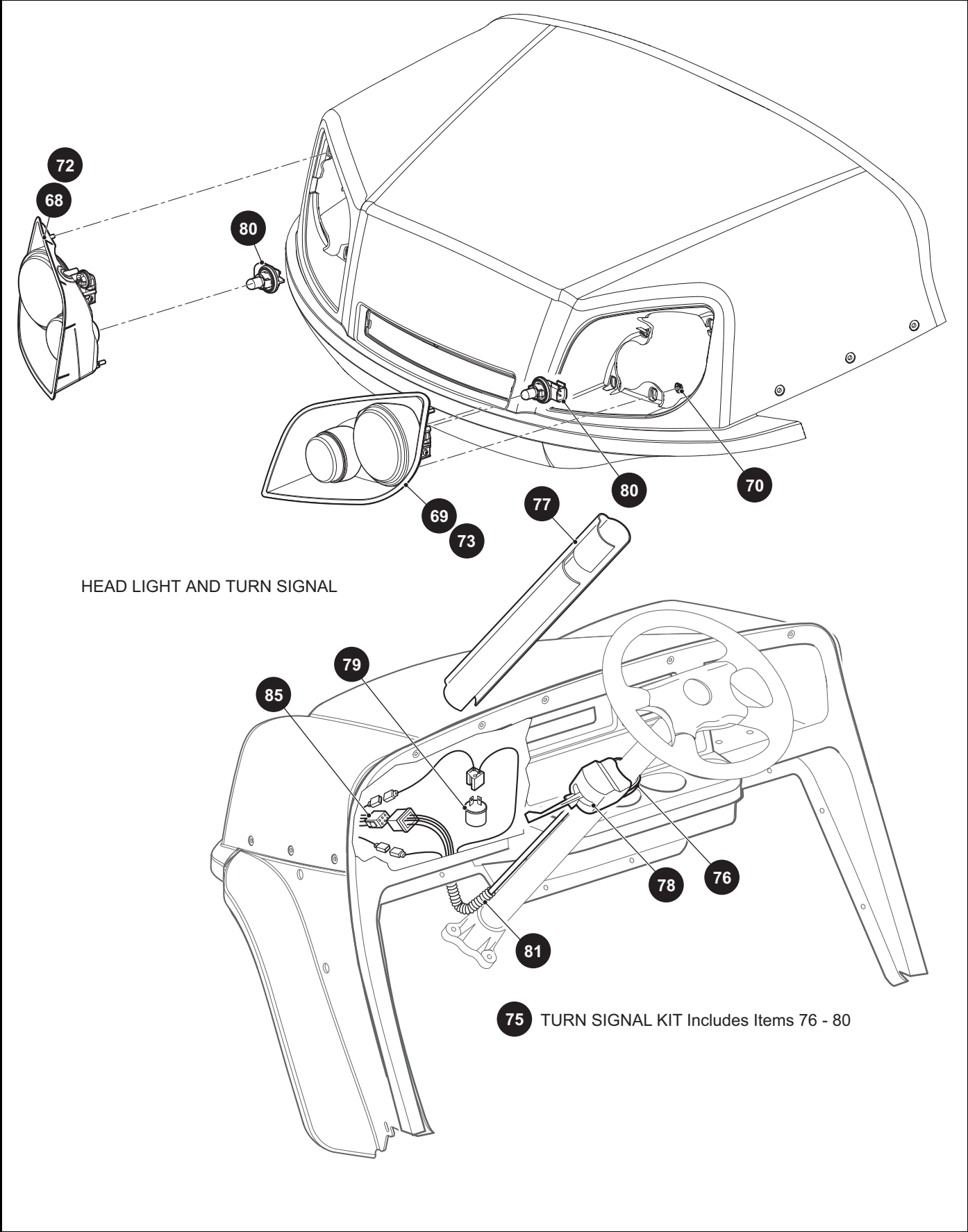


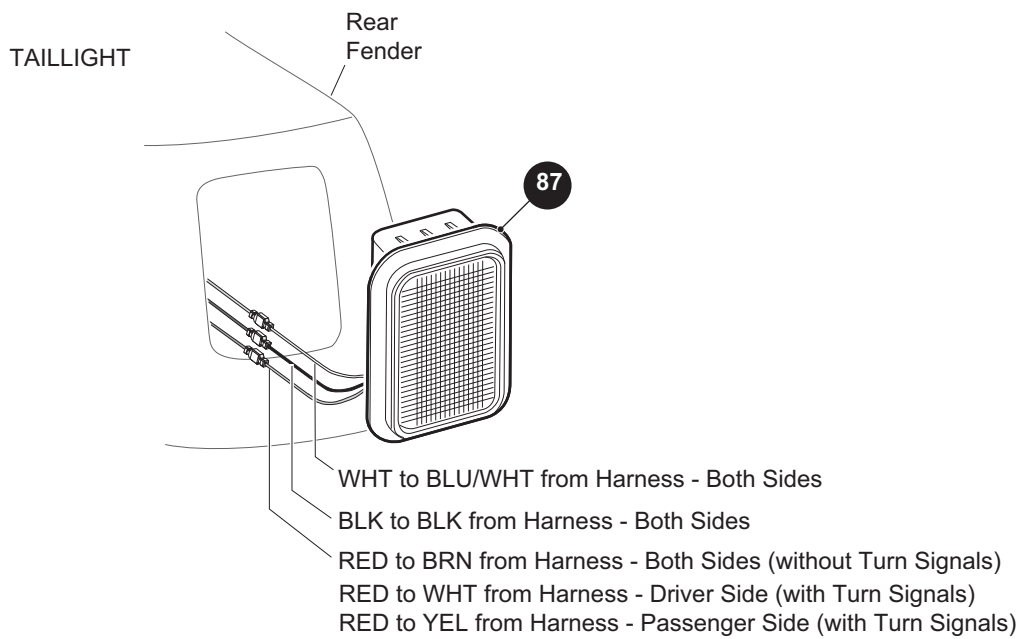
HORN BUTTON

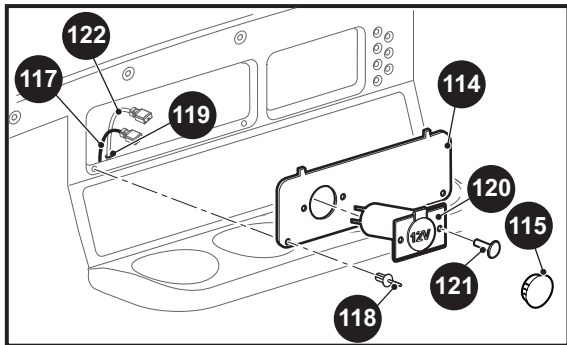


HORN



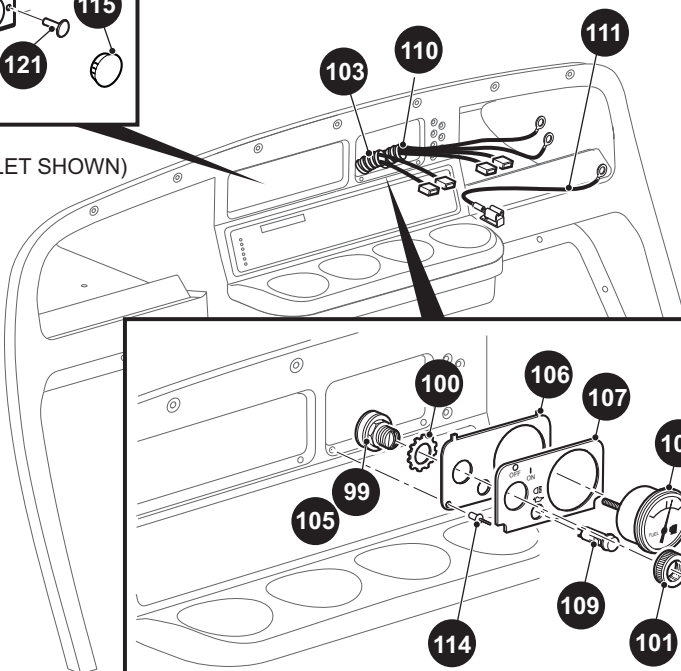






CONSOLE INSERT PLATE (WITH POWER OUTLET SHOWN)

- 112 CONSOLE PLATE WITHOUT OUTLET Includes Items 113, 119
- 113 CONSOLE INSERT ASSY WITH PLUG Includes Items 114, 115
- 116 12 V OUTLET KIT Includes Items 117 - 121
- 123 POWER OUTLET 12V Includes Items 116 - 117, 123, 132 - 133
- 124 CONSOLE INSERT ASSY WITH POWER OUTLET Includes Items 114, 120 - 121

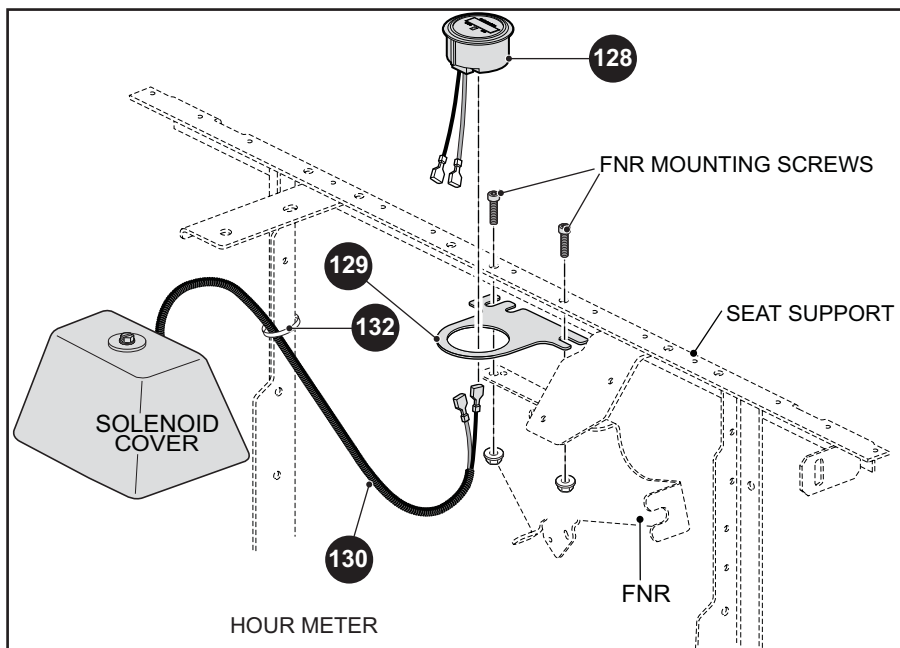


KEY SWITCH, INDICATOR LIGHT(S), AND FUEL GAUGE

Front of Vehicle



- 127 HOUR METER KIT Includes Items 128 - 130



ELECTRICAL SYSTEM

When ordering parts, please specify the model and serial number of the product.

* Indicates a component that is not available as an individual part.

*** Indicates consult Customer Service Department for additional information.

ITEM	PART NO.	1 2 3 4 5	DESCRIPTION	QTY.
1	607053		6 GA WIRE (BLACK 6", F1 - A2)	1
2	25682G01		TERMINAL COVER	3
3				
4				
5	24775G*		BATTERY, 12V	1
6	*		BOLT, 5/16 - 18 X 1 1/4" LG	2
7	*		LOCK WASHER, 5/16" (SILICON BRONZE)	2
8	*		NUT, 5/16 - 18 (SILICON BRONZE)	2
9				
10	72101G02		BATTERY HOLD DOWN	1
11	00438G6		BOLT, 5/16 - 18 X 3/4" LG	3
12	00565G8		LOCK WASHER, 5/16"	1
13	00571G2		FLAT WASHER, 5/16" (STAINLESS STEEL)	1
14				
15				
16	27044G03		GROUND CABLE	1
17	25976G19		14 GA WIRE (BLACK 6")	1
18	00438G6		BOLT, 5/16 - 18 X 3/4" LG	2
19	11027G1		LOCK NUT, 5/16 - 18	2
20	26676G01		FLANGED BOLT, M6 X 1.0 X 23MM	1
21				
22				
23	25972G85		6 GA WIRE (BLACK 23", F2 - SOL)	1
24	605560		WIRE HARNESS (CONTROL)	1
25	17618G1		WIRE TIE (NOT ILLUSTRATED)	AR
26	73049G01		COVER FNR	1
27	16469G1		FENDER WASHER, 1/4"	1
28	00114G6		SCREW, 1/4 - 14 X 3/4" LG	1
29				
30				
31	605563		ELECTRICAL PLATE ASSEMBLY (INCLUDES ITEMS 32 - 49)	1
32	73057G01		BRACKET	1
33	27739G01		VOLTAGE REGULATOR	1
34	00415G4		BOLT, 1/4 - 20 X 1 1/4" LG	1

ELECTRICAL SYSTEM

When ordering parts, please specify the model and serial number of the product.

* Indicates a component that is not available as an individual part.

*** Indicates consult Customer Service Department for additional information.

ITEM	PART NO.	1 2 3 4 5	DESCRIPTION	QTY.
35	11027G2		LOCK NUT, 1/4 - 20.....	1
36	25972G33		WIRE ASSEMBLY 6 GA.....	1
37	603282		RELAY	1
38	00661G8		BOLT, 1/4 - 20 X 1" LG	1
39	612813		SOLENOID	1
40	*		LOCK WASHER, #10.....	2
41	*		NUT, #10 - 32	2
42	*		LOCK WASHER, 5/16"	2
43	*		NUT, 5/16 - 24.....	2
44	00664G7		LOCK WASHER - SS - .255/.263	1
45	00532G1		NUT, 1/4 - 20.....	1
46	600418G01		FUSE HOLDER ASSEMBLY.....	1
47	11027G2		LOCK NUT, 1/4 - 20.....	1
48	73446G01		FASTON TAB, 90°	2
49	25978G56		18 GA WIRE (BLACK 5 3/4").....	1
50				
51	22674G1		FUSE BLOCK	1
52	01041G01		RIVET, 1/8" X 13/16" LG	2
53	18392G1		15 AMP FUSE.....	3
54	25972G33		#6 GA WIRE ASSEMBLY	1
55	20216G1		16 GA WIRE (RED).....	1
56				
57	32860G1		HORN.....	1
58	00414G5		BOLT, 1/4 - 20 x 5/8" LG	1
59	00559G7		FLAT WASHER, 1/4" (STAINLESS STEEL)	1
60	14390G4		LOCK NUT, 1/4 - 20	1
61	608397		HORN PLATE	1
62	17318G1		HORN SWITCH	1
63	17318G2		HORN SWITCH CAP AND NUT	1
64	27068G01		HORN SWITCH BOOT	1
65	19233G1		HORN SWITCH LABEL	1
66	71055G01		ALUMINUM RIVET, 3/16" X 1" LG	2
67				

ELECTRICAL SYSTEM

When ordering parts, please specify the model and serial number of the product.

* Indicates a component that is not available as an individual part.

*** Indicates consult Customer Service Department for additional information.

ITEM	PART NO.	1 2 3 4 5	DESCRIPTION	QTY.
68	614497		RIGHT HEAD LIGHT ASSEMBLY	1
69	614501		LEFT HEADLIGHT ASSEMBLY	1
70	71597G01		SEL FTHREADING NUT	8
71	71781G02		VINYL TAPE	2
72	618556		LED HEADLIGHT W/O TURN SIGNAL (RH ASSEMBLY)	1
73	618555		LED HEADLIGHT W/O TURN SIGNAL (LH ASSEMBLY)	1
74				
75	622712		TURN SIGNAL KIT (INCLUDES ITEMS 76 - 81)	1
76	17618G1		NYLON CLAMP	2
77	20965G3		STEERING COLUMN COVER	1
78	611810		TURN SIGNAL SWITCH ASSEMBLY (INCLUDES ITEM 79)	1
79	21640G1		TURN SIGNAL FLASHER	1
80	619102		TURN SIGNAL ASSEMBLY BULB	2
81	32307G3		FLEX ZIP LOOM, 3/8"	1
82				
83				
84				
85				
86				
87	32739G2		TAILLIGHT ASSEMBLY (COMPLETE)	1
88				
89				
90				
91				
92				
93				
94				
95				
96				
97				
98	619091		WIRE HARNESS, LONG (ACCESSORY)	1
99	33639G01		IGNITION SWITCH	1
100	00568G6		LOCK WASHER, 3/4"	1
101	17137G1		FACE NUT, 3/4 - 20	1

ELECTRICAL SYSTEM

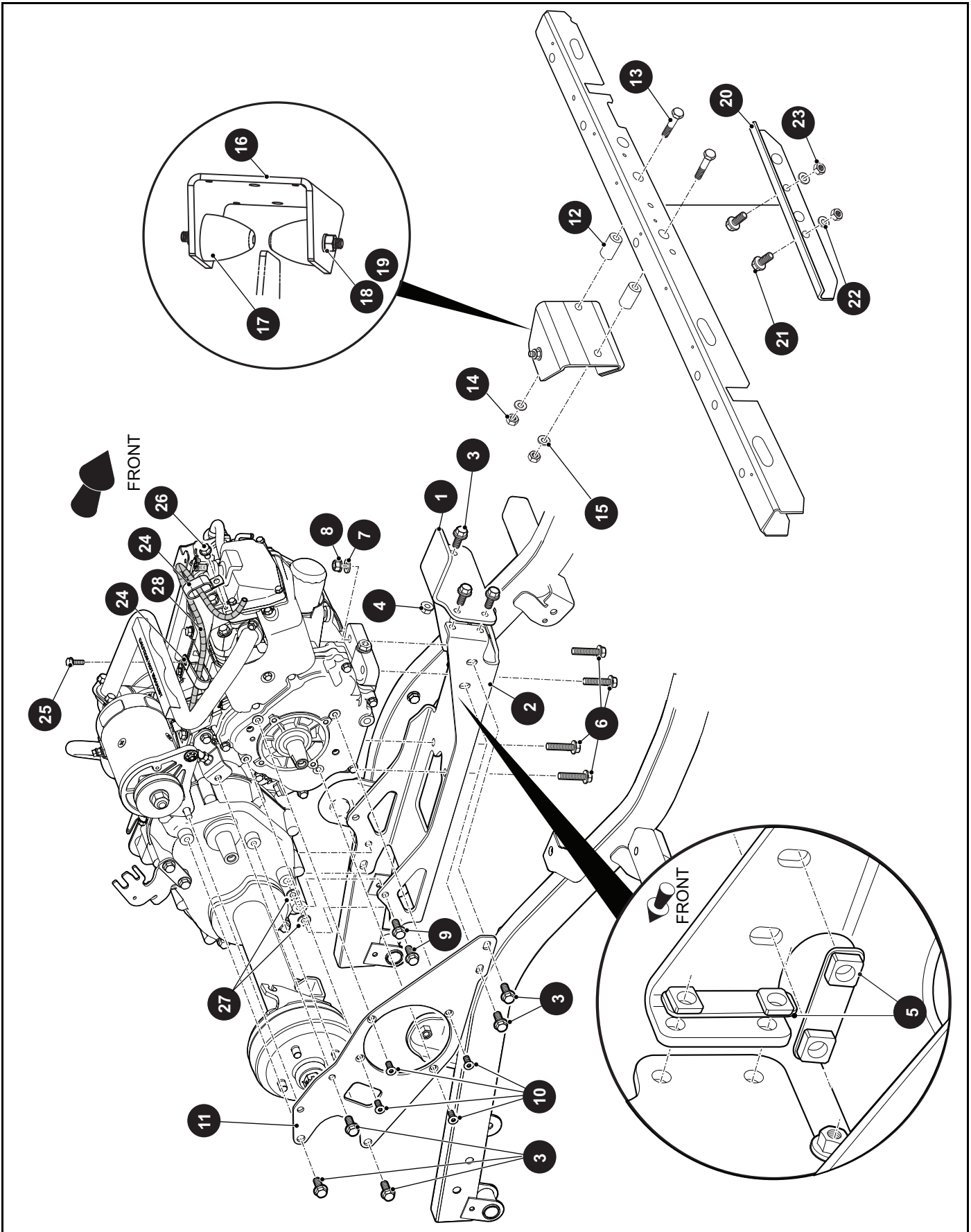
When ordering parts, please specify the model and serial number of the product.

* Indicates a component that is not available as an individual part.

*** Indicates consult Customer Service Department for additional information.

ITEM	PART NO.	1 2 3 4 5	DESCRIPTION	QTY.
102	17063G1		IGNITION KEY	1
103	605639		WIRE HARNESS (KEY SWITCH).....	1
104				
105	33639G03		IGNITION SWITCH (WITH LIGHTS)	1
106	601015		PLATE (FUEL GAUGE AND OIL LIGHT)	1
107	71181G01		LABEL (OIL LIGHT AND FUEL GAUGE WITH HEADLIGHTS)	1
108				
109				
110				
111				
112	71079G08		CONSOLE PLATE WITHOUT OUTLET (INCLUDES ITEMS 113, 118)	1
113	74693G02		CONSOLE INSERT ASSY, W/PLUG (INCLUDES ITEMS 114, 115).....	1
114	73522G03		CONSOLE PLATE (E-COAT).....	1
115	20271G10		HOLE PLUG, 1.00 DIA	1
116	71079G10		12 V OUTLET KIT (INCLUDES ITEMS 117 - 122)	1
117	71081G01		WIRE HARNESS, POWER OUTLET 12V.....	1
118	33623G02		DRIVE RIVET, 0.188 DIA	3
119	17618G1		NYLON CLAMP.....	5
120	71078G01		POWER OUTLET,12V	1
121	14601G10		ALUMINIUM RIVET (BLACK), 5/32"	2
122	35212G01		FUSE, AUTOMTIVE ATC TYPE, 15A	1
123	71079G11		POWER OUTLET 12V (INCLUDES ITEMS 117 -119, 124 - 125)	1
124	74693G01		CONSOLE INSERT ASSY (INCLUDES ITEMS 114, 120 - 121).....	1
125	18392G01		GLASS FUSE, 3AG - 15AMP	1
126	606254		WIRE HARNESS (HOUR METER)	1
127	607285		HOUR METER KIT (INCLUDES ITEMS 128 - 130).....	1
128	617074		HOUR METER	1
129	603721		HOUR METER BRACKET	1
130	606254		WIRE HARNESS (HOUR METER)	1
131				
132	31539G1		NYLON CLAMP 15.5" (NOT ILLUSTRATED).....	AR
133	73290G03		CONTINOUS TONE BUZZER (NOT SHOWN)	1

ENGINE MOUNTING



ENGINE MOUNTING

When ordering parts, please specify the model and serial number of the product.

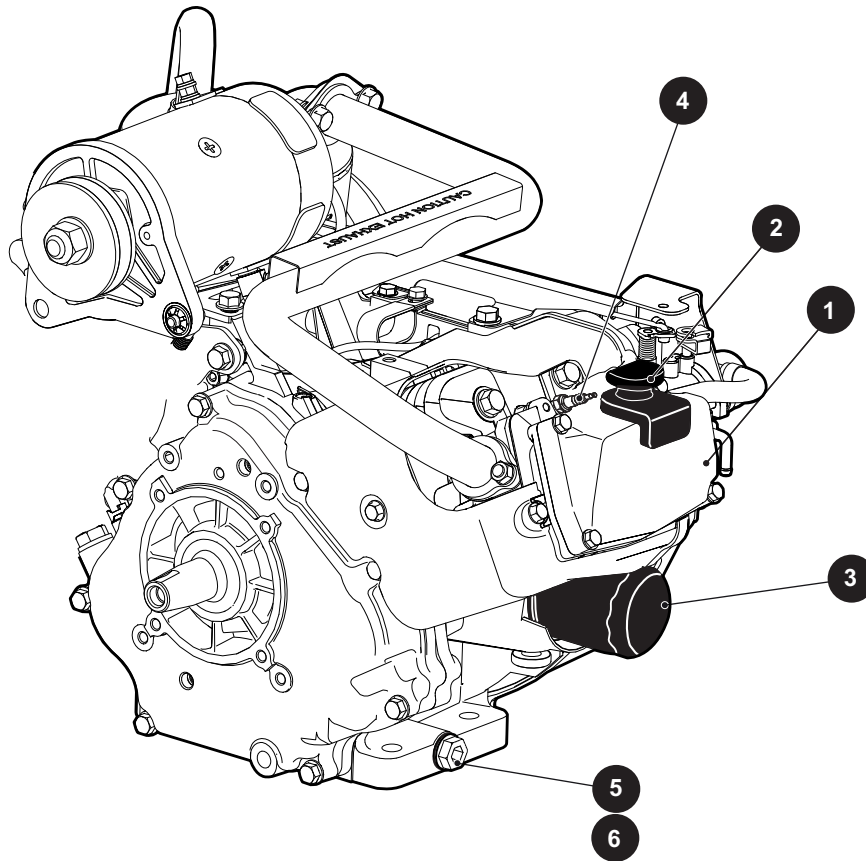
* Indicates a component that is not available as an individual part.

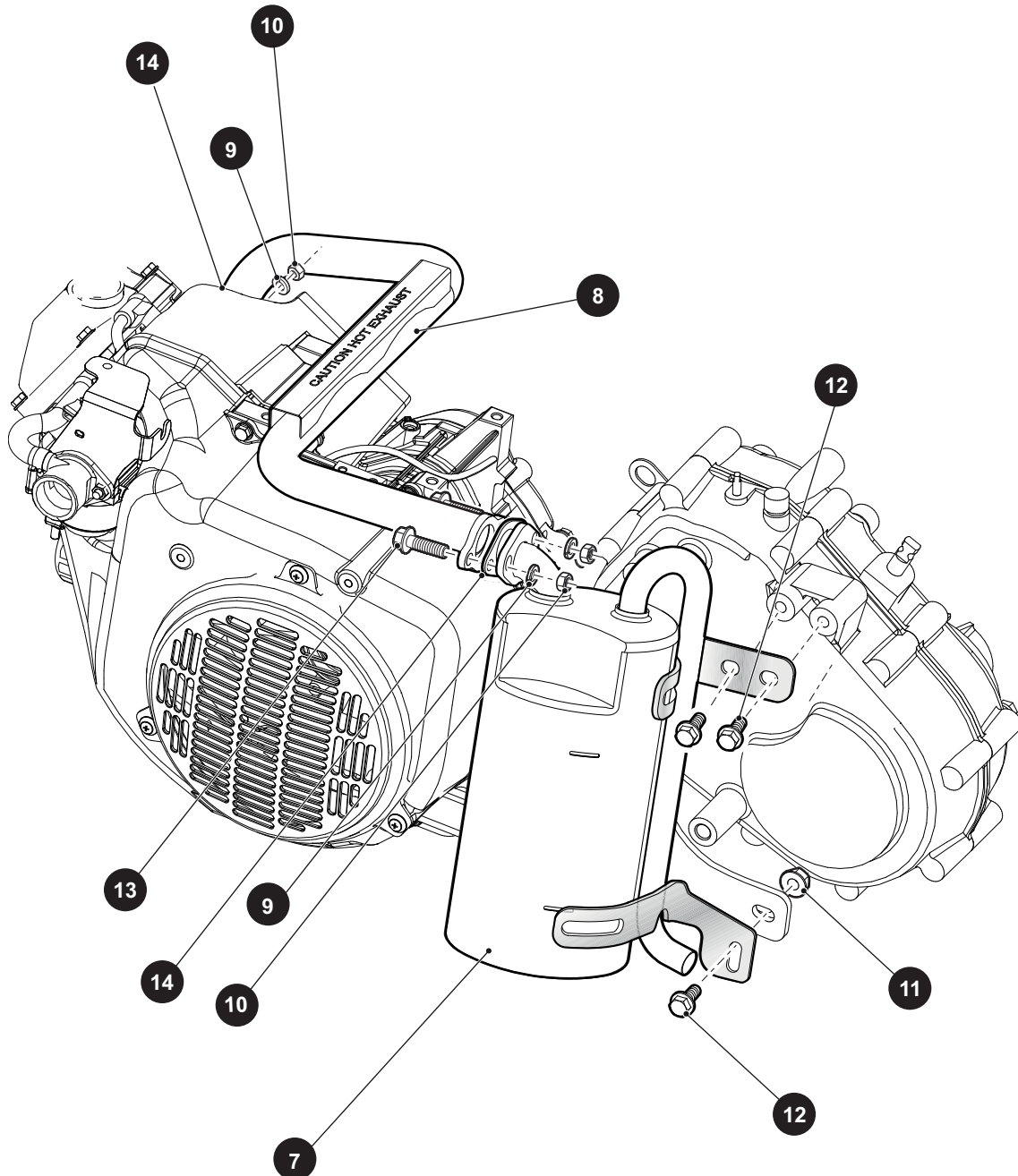
*** Indicates consult Customer Service Department for additional information.

ITEM	PART NO.	1 2 3 4 5	DESCRIPTION	QTY.
1	606007		FRONT ENGINE MOUNT	1
2	603101		ENGINE PAN MOUNT	1
3	606256		BOLT, M10 - 1.25 X 25.....	8
4	606279		NUT, M10 - 1.25.....	1
5	606096		NUT PLATE.....	2
6	606259		BOLT, M10 - 1.25 X 45.....	4
7	603823		FLAT WASHER, M10 X 22 - 2.5	4
8	606279		NUT, M10 - 1.25.....	4
9	608020		BOLT, M10 - 1.25 X 34.....	4
10	606246		FLAT HEAD SCREW, 5/16" - 18 X 4"	4
11	602146		DIFFERENTIAL PLATE	1
12	72016G01		TUBE SPACER	2
13	00428G8		HEX HEAD 3/8 - 16 X 2.75".....	2
14	11098G5		PLASTIC INSERT LOCK NUT, 3/8 -16".....	2
15	00643G1		FLAT WASHER, 3/8" X 1.0 X .63.....	2
16	605995		TS2 FRONT MOUNT BRACKET	1
17	605757		RUBBER BUMPER.....	2
18	00974G01		HEX NUT, M10 X 1.5	2
19	00968G01		LOCK WASHER, M10.....	2
20	70269G02		CROSSMEMBER BRACE	1
21	00438G7		HEX HEAD BOLT, 5/16 - 18 x 7/8	2
22	01110G3		FLAT WASHER, 5/16".....	2
23	01109G01		PLASTIC INSERT LOCK NUT, 5/16 -18	2
24	606962		TUBE CLAMP, DBL - 0.72	2
25	606264		BOLT, HXFL M6 - 1 X 20.....	1
26	606265		BOLT, HXFL M6 - 1 X 12.....	1
27	00560G2		B TYPE NARROW FLAT WASHER, 7/16" X .25	2
28	27184G12		TUBE, (FUEL SYSTEM).....	1

ENGINE AND MUFFLER

1 GAS ENGINE Includes Items 2 - 6





ENGINE AND MUFFLER

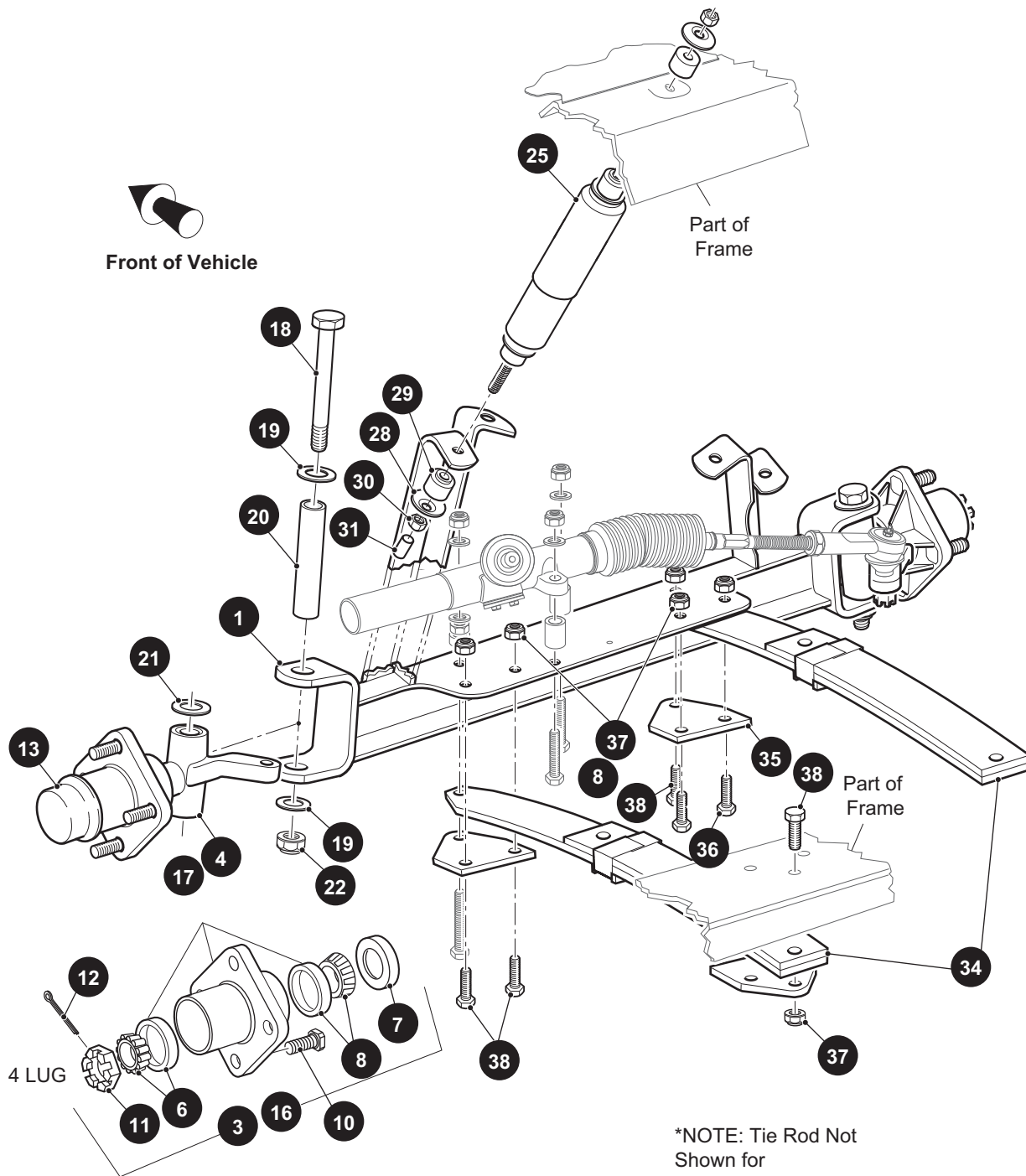
When ordering parts, please specify the model and serial number of the product.

* Indicates a component that is not available as an individual part.

*** Indicates consult Customer Service Department for additional information.

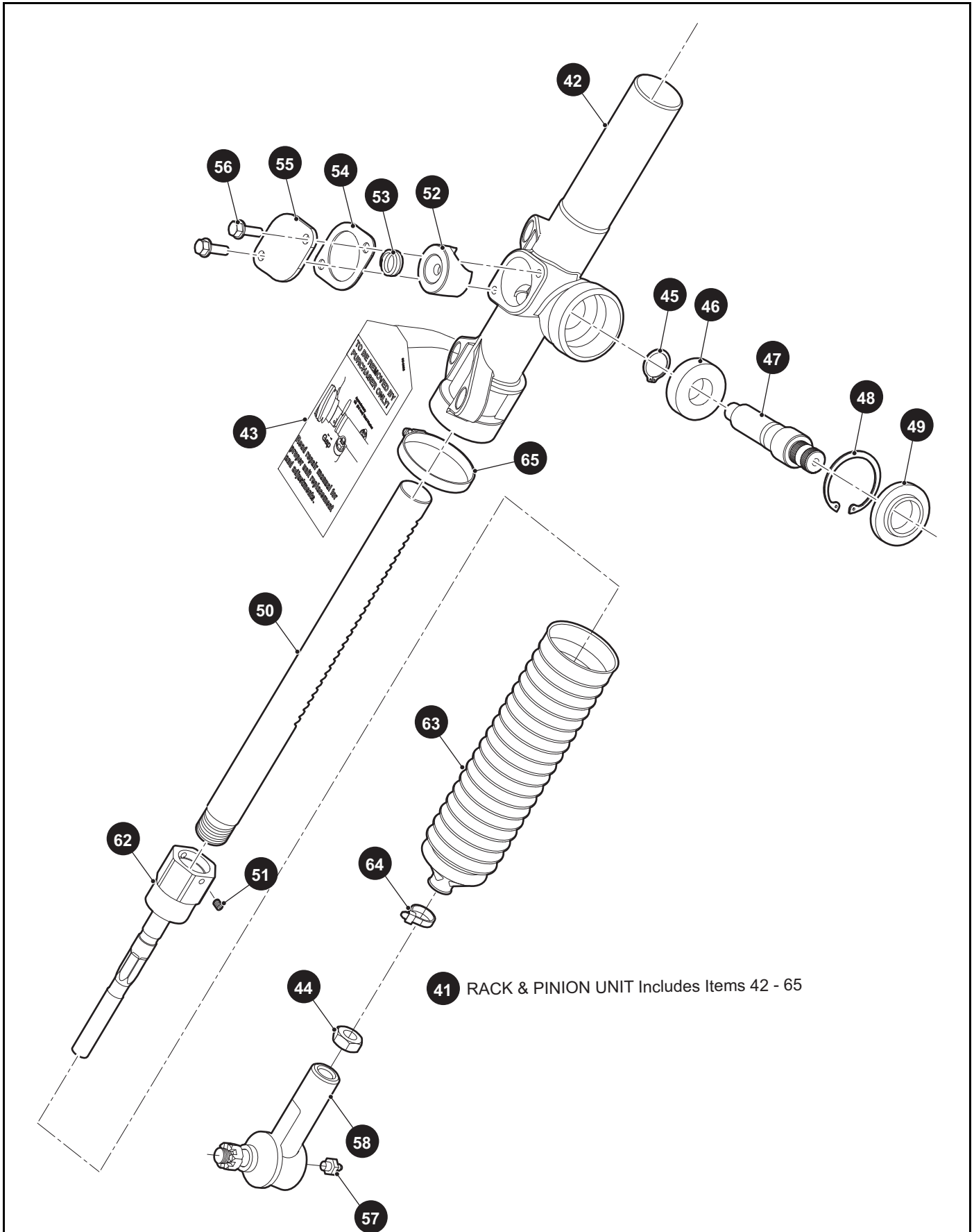
ITEM	PART NO.	1 2 3 4 5	DESCRIPTION	QTY.
1	607154		ENGINE, GAS, 13HP, NON-GOLF (INCLUDES ITEMS 2 - 6).....	1
2	606390		DIP STICK.....	1
3	607454		OIL FILTER	1
4	607462		SPARK PLUG (BPR2ES).....	1
5	603557		OIL DRAIN PLUG	1
6	603562		'O' RING, 16MM	1
7	612266		MUFFLER.....	1
8	606982		EXHAUST PIPE	1
9	606272		LOCK WASHER, 8MM	4
10	606267		NUT, M8 X 1.25	4
11	606279		NUT, M10 - 1.25	1
12	606256		BOLT, M10 - 1.25 X 25	3
13	602330		BOLT, M8 - 1.25 X 30	2
14	603599		EXHAUST GASKET	2

FRONT SUSPENSION AND STEERING



- 3** SPINDLE & HUB ASSEMBLY (Passenger side) Includes Items 4 -13
- 9** WHEEL HUB ASSEMBLY Includes Item 10
- 16** SPINDLE & HUB ASSEMBLY (Driver side) Includes Items 7 - 13, 17

FRONT SUSPENSION AND STEERING

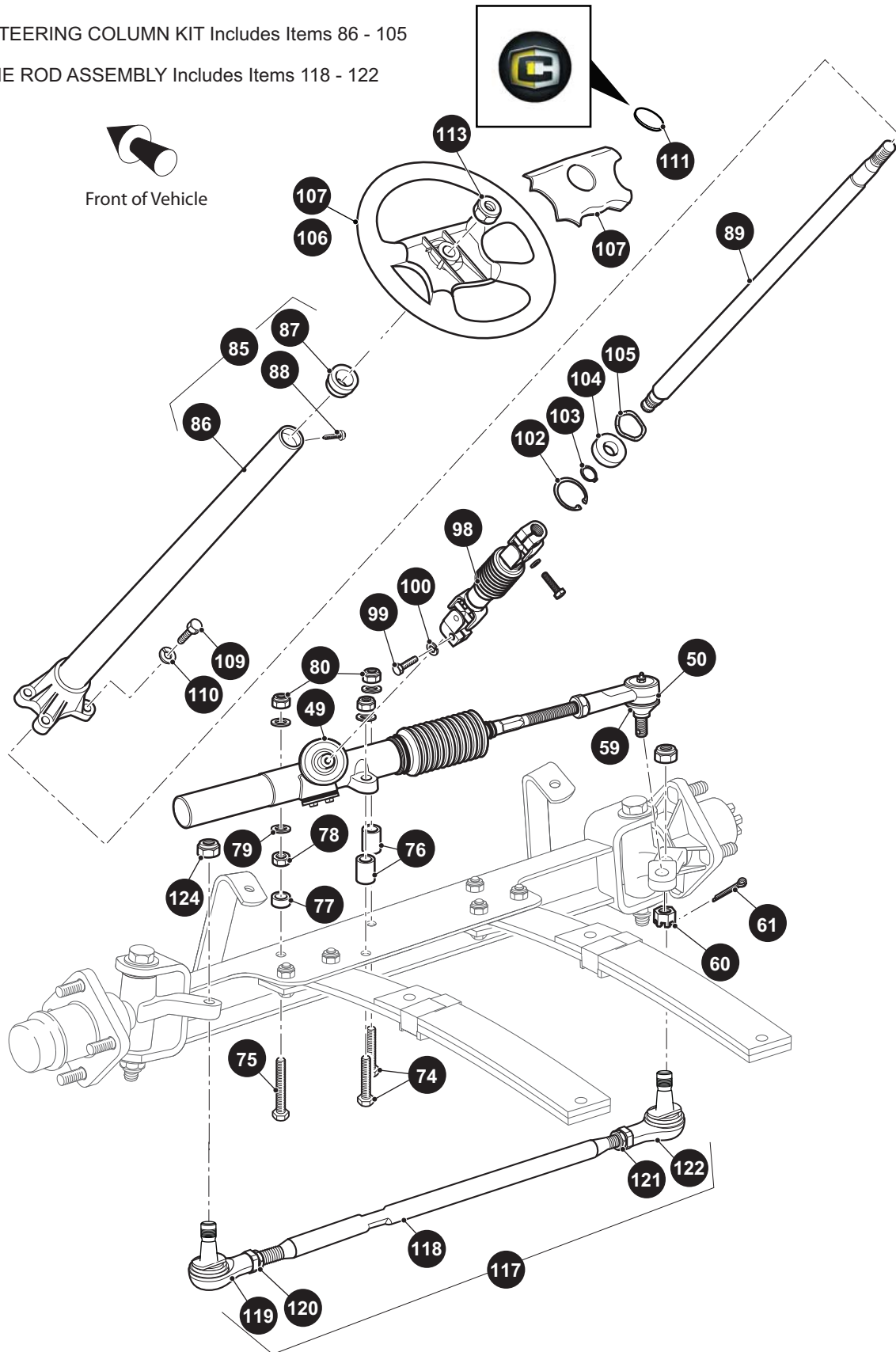


FRONT SUSPENSION AND STEERING

58 RACK BALL JOINT ASSEMBLY Includes Items 59 - 61

85 STEERING COLUMN KIT Includes Items 86 - 105

117 TIE ROD ASSEMBLY Includes Items 118 - 122



FRONT SUSPENSION AND STEERING

When ordering parts, please specify the model and serial number of the product.

* Indicates a component that is not available as an individual part.

*** Indicates consult Customer Service Department for additional information.

ITEM	PART NO.	1 2 3 4 5	DESCRIPTION	QTY.
1	602513		FRONT AXLE.....	1
2				
3	70942G03		SPINDLE AND HUB ASSEMBLY, 4 LUG (PASSENGER SIDE) (INCLUDES ITEMS 4 - 13)	1
4	70940G04		SPINDLE ASSEMBLY (PASSENGER SIDE) (INCLUDES ITEMS 5 - 6)	1
5	70648G01		BEARING	1
6	70749G01		BEARING, DP4	1
7	25146G1		GREASE SEAL	1
8	50892G1		ROLLER BEARING AND RACE ASSEMBLY	2
9	70589G1		WHEEL HUB ASSEMBLY WITH RACES, 4 LUG (INCLUDES ITEM 10)	1
10	19862G1		LUG BOLT, 1/2 - 20 X 1 7/32" LG	4
11	12093G1		SLOTTED NUT, 1 - 14.....	1
12	00798G8		COTTER PIN, 5/32" X 1 3/4" LG	1
13	12091G2		SPINDLE CAP.....	2
14				
15				
16	70673G03		SPINDLE AND HUB ASSEMBLY, 4 LUG (DRIVER SIDE) (INCLUDES ITEMS 7 - 13 & 17)	1
17	70742G02		SPINDLE ASSEMBLY (DRIVER SIDE) (INCLUDES ITEMS 5 - 6).....	1
18	00407G6		BOLT, 1/2 - 13 X 6" LG.....	2
19	00560G3		FLAT WASHER, 1/2".....	4
20	70745G01		KING PIN TUBE.....	2
21	70754G01		THRUST WASHER (STAINLESS STEEL).....	2
22	14390G6		LOCK NUT, 1/2 - 13	2
23				
24				
25	76419G01		SHOCK ABSORBER	2
26				
27				
28	10435G1		SHOCK ABSORBER WASHER.....	8
29	10194G1		RUBBER SHOCK ABSORBER BUSHING	8

FRONT SUSPENSION AND STEERING

When ordering parts, please specify the model and serial number of the product.

* Indicates a component that is not available as an individual part.

*** Indicates consult Customer Service Department for additional information.

ITEM	PART NO.	1	2	3	4	5	DESCRIPTION	QTY.
30	00532G6						NUT, 3/8 - 24	4
31	10044G01						VINYL CAP	2
32								
33								
34	70664G03						LEAF SPRING (HEAVY DUTY) (SEE PART NUMBER ON SPRING)	2
35	70163G03						SPRING PLATE	4
36								
37	00734G1						LOCK NUT, 7/16 - 14.....	11
38	00463G11						BOLT, 7/16 - 14 X 1 3/4" LG	11
39								
40								
41	70964G02						RACK AND PINION UNIT (COMPLETE) (INCLUDES ITEMS 42 - 65)	1
42	70965G01						STEERING RACK COVER & BEARING	1
43	*						STEERING BOX INSTALLATION TAG	1
44	*						JAM NUT, 1/2 - 20.....	1
45	70750G01						RETAINING RING (EXTERNAL)	1
46	15115G1						BALL BEARING	1
47	70603G01						PINION.....	1
48	70751G01						RETAINING RING (INTERNAL).....	1
49	70638G01						SEAL PINION.....	1
50	70604G01						RACK STEERING.....	1
51	01053G01						SOCKET HEAD SCREW, #10- 32	1
52	70590G01						RACK LOADER	1
53	70666G01						SPRING COMPRESSION	1
54	70645G01						GASKET RACK LOADER.....	1
55	70591G01						COVER RACK LOADER.....	1
56	71102G01						CAP HEX HEAD BOLT, 1/4 - 20	2
57	10389G3						GREASE FITTING, STRAIGHT	1
58	70695G01						RACK BALL JOINT (INCLUDES ITEMS 59 - 61)	1
59	50641G1						RUBBER BOOT	1

FRONT SUSPENSION AND STEERING

When ordering parts, please specify the model and serial number of the product.

* Indicates a component that is not available as an individual part.

*** Indicates consult Customer Service Department for additional information.

ITEM	PART NO.	1 2 3 4 5	DESCRIPTION	QTY.
60	50209G2		SLOTTED NUT, 7/16 - 20	1
61	10387G2		COTTER PIN, 3/32" X 1" LG.....	1
62	74694G01		ROD END (INNER)	1
63	7096-G01		RACK BOOT	1
64	12416G2		WIRE TIE.....	1
65	11391G8		WIRE TIE.....	1
66				
67				
68				
69				
70				
71				
72				
73				
74	00464G6		BOLT, 7/16 - 14 X 2 3/4" LG.....	2
75	01068G01		BOLT, 7/16 - 14 X 3 1/2" LG.....	1
76	70667G02		SPACER.....	2
77	70667G03		SPACER (SHORT).....	1
78	00532G7		NUT, 7/16 - 14.....	1
79	00560G2		FLAT WASHER, 7/16".....	7
80	00734G1		LOCK NUT, 7/16 - 14	3
81				
82				
83				
84				
85	70758G05		STEERING COLUMN KIT (INCLUDES ITEMS 86 - 105).....	1
86	70610G03		STEERING COLUMN.....	1
87	28569G01		STEERING COLUMN BUSHING	1
88	01022G01		SCREW, #6 - 20 X 5/16" LG.....	1
89	70607G01		STEERING SHAFT	1

FRONT SUSPENSION AND STEERING

When ordering parts, please specify the model and serial number of the product.

* Indicates a component that is not available as an individual part.

*** Indicates consult Customer Service Department for additional information.

ITEM	PART NO.	1	2	3	4	5	DESCRIPTION	QTY.
90								
91								
92								
93								
94								
95								
96								
97								
98	70580G01						INTERMEDIATE SHAFT.....	1
99	01055G01						BOLT, M8 - 1.25 X 30mm.....	2
100	00565G8						LOCK WASHER, 5/16".....	2
101								
102	70751G01						RETAINING RING (INTERNAL).....	1
103	70888G01						RETAINING RING (EXTERNAL).....	1
104	15112G1						BALL BEARING.....	1
105	70887G01						WAVE WASHER.....	1
106	602980						STEERING WHEEL PREMIUM (OPTIONAL).....	1
107	71147G01						STEERING WHEEL COVER.....	1
108	602979						STEERING WHEEL.....	1
109	01006G01						BOLT, 3/8 - 16 X 1 1/4" LG WITH PATCHLOCK.....	4
110	00879G1						LOCK WASHER, 3/8".....	4
111	618086						STEERING WHEEL DECAL (CUSHMAN).....	1
112								
113	14390G2						LOCK NUT, 5/8 - 18.....	1
114								
115								
116								
117	70876G02						TIE ROD ASSEMBLY (INCLUDES ITEMS 118 - 122).....	1
118	70807G01						THREADED ROD (24" LG).....	1
119	70902G01						TIE ROD END (LEFT HAND THREADS).....	1

FRONT SUSPENSION AND STEERING

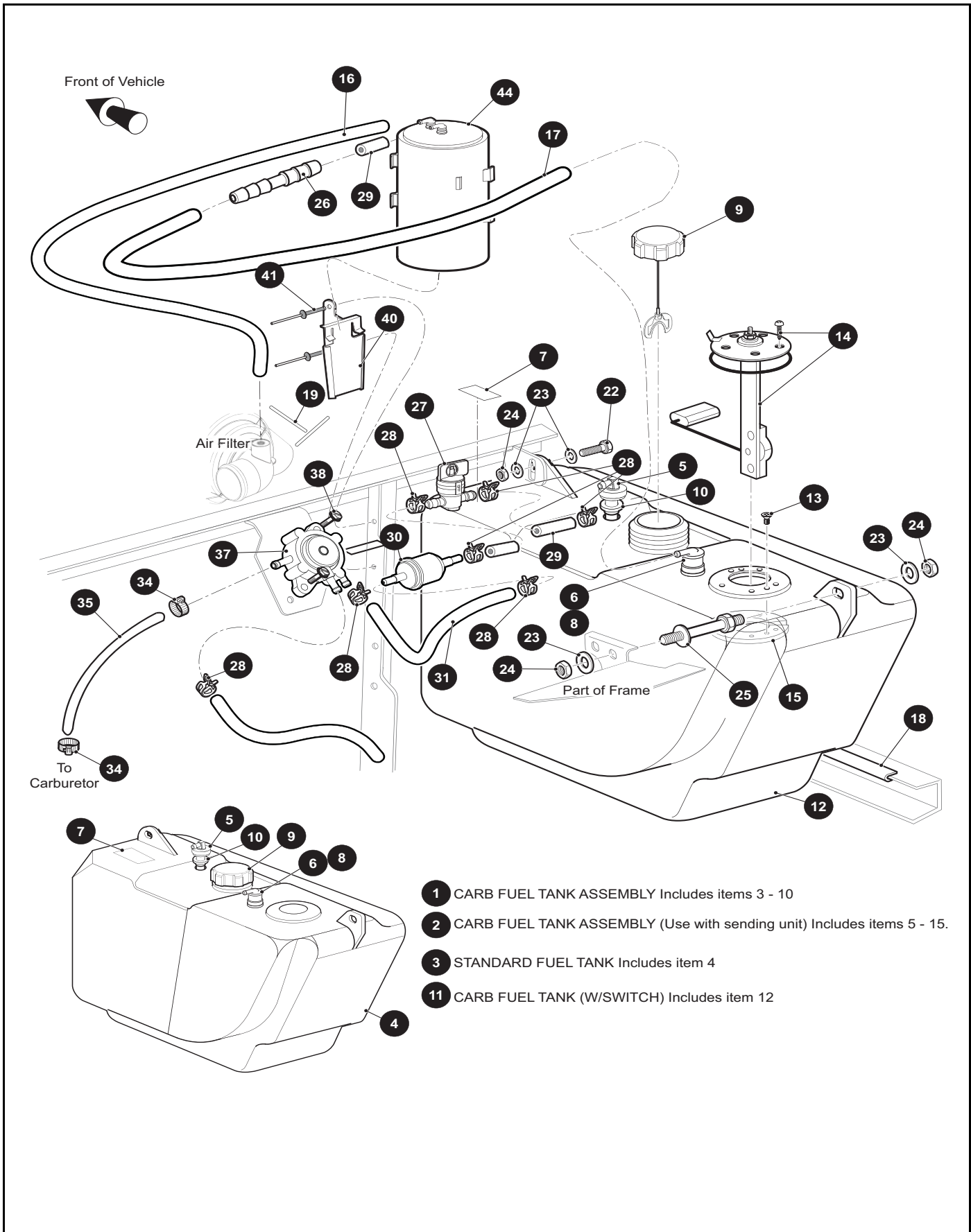
When ordering parts, please specify the model and serial number of the product.

* Indicates a component that is not available as an individual part.

*** Indicates consult Customer Service Department for additional information.

ITEM	PART NO.	1 2 3 4 5	DESCRIPTION	QTY.
120	01069G01		JAM NUT, M12 X 1.25-05 (LEFT HAND THREADS)	1
121	70902G02		TIE ROD END (RIGHT HAND THREADS)	1
122	01069G02		JAM NUT, M12 X 1.25-05 (RIGHT HAND THREADS).....	1
123				
124	00734G1		LOCK NUT, 7/16 - 14	2

FUEL SYSTEM



- 1 CARB FUEL TANK ASSEMBLY Includes items 3 - 10
- 2 CARB FUEL TANK ASSEMBLY (Use with sending unit) Includes items 5 - 15.
- 3 STANDARD FUEL TANK Includes item 4
- 11 CARB FUEL TANK (W/SWITCH) Includes item 12

FUEL SYSTEM

When ordering parts, please specify the model and serial number of the product.

* Indicates a component that is not available as an individual part.

*** Indicates consult Customer Service Department for additional information.

ITEM	PART NO.	1 2 3 4 5	DESCRIPTION	QTY.
1	620180		CARB FUEL TANK ASSEMBLY (Includes items 3 - 10)	1
2	620181		CARB FUEL TANK ASSEMBLY (Use with sending unit) (Includes items 5 - 15)	1
3	620179		STANDARD FUEL TANK (CARB III) (Includes item 4).....	1
4	618668		FUEL TANK, W/O SENDER UNIT	1
5	18287G3		SIPHON TUBE ASSEMBLY	1
6	606068		ROLLOVER VALVE GROMMET	1
7	617886		EPA FUEL TANK LABEL	1
8	606067		ROLLOVER VALVE	1
9	617885		FUEL TANK CAP (RATCHET).....	1
10	70988G01		SIPHON TUBE GROMMET	1
11	607479		CARB FUEL TANK, (W/SWITCH) (Includes item 12).....	1
12	618669		FUEL TANK, W/ SENDER UNIT	1
13	72230G01		FLAT HEAD MACHINE SCREW	2
14	20048G2		FUEL LEVEL SENDER	1
15	72229G01		FUEL TANK ADAPTER	1
16	606966		LOW PRESSURE FUEL HOSE, 3/16 I.D. X 3/8 O.D. X 34.00 LONG.....	1
17	607546		LOW PRESSURE FUEL HOSE, 3/16 I.D. X 3/8 O.D. X 17.00 LONG.....	1
18	32372G6		BLACK TRIM, 6.25 LONG	1
19	17618G1		NYLON CLAMP	2
20				
21				
22	00438G8		HEX HEAD BOLT, 5/16 - 18 X 1	1
23	00559G8		FLAT WASHER, 5/16	4
24	11098G6		LOCK NUT, 5/16 - 18	3
25	70483G01		SPACER BOLT, 5/16 - 18.....	1
26	615346		HOSE REDUCER-ID 1/4 X 3/16.....	1
27	611181		FUEL SHUT-OFF VALVE.....	1
28	18292G1		HOSE CLAMP,.50 DIAMETER	7
29	615350		FUEL SYSTEM HOSE 6.35 I.D X12.7 O.D X 2.00" LONG.....	3
30	72084G01		FUEL LINE FILTER.....	1
31	606969		FUEL SYSTEM HOSE,.25 I.D. X.50 O.D. X 8.00 LONG	1

FUEL SYSTYEM

When ordering parts, please specify the model and serial number of the product.

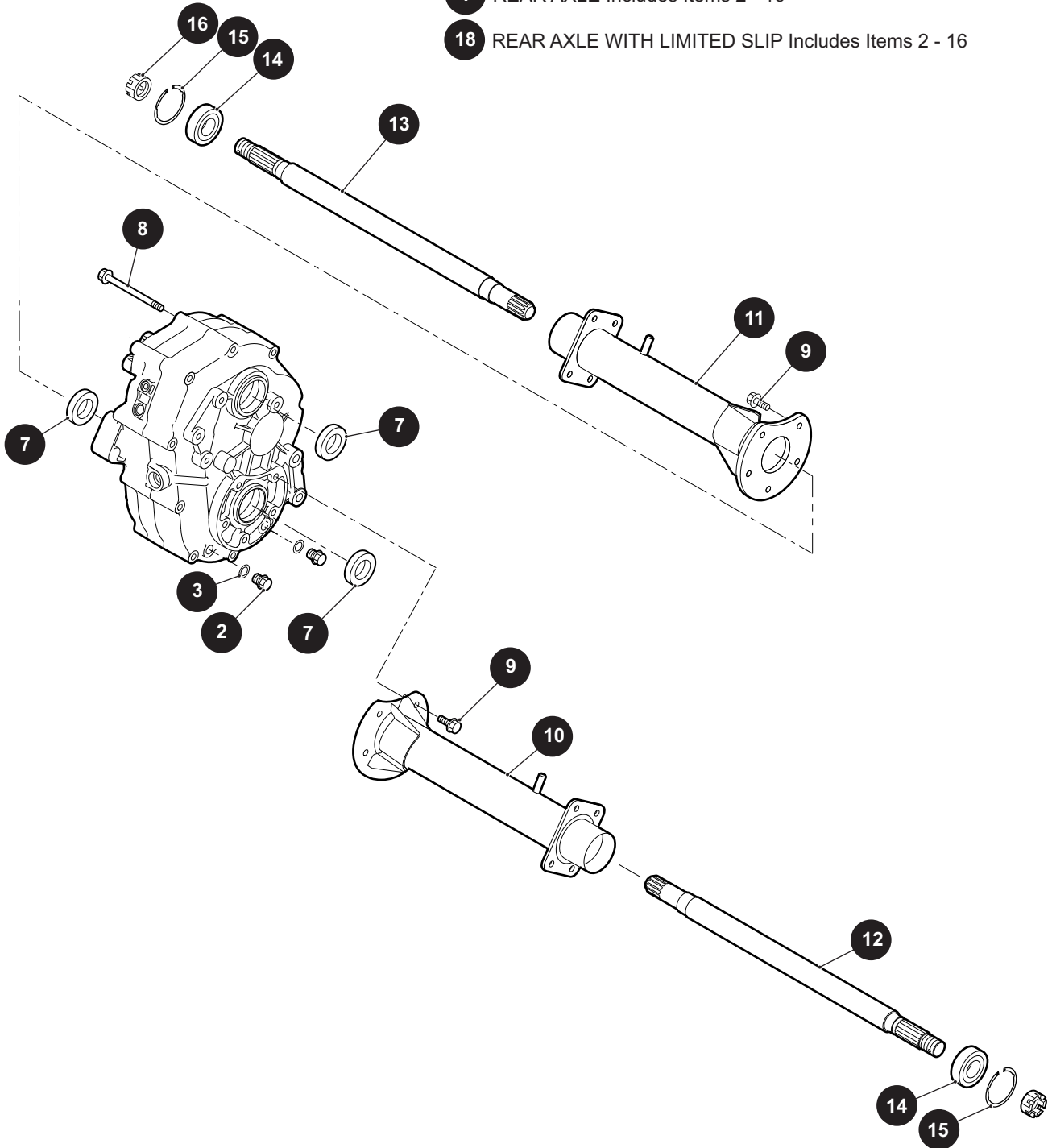
* Indicates a component that is not available as an individual part.

*** Indicates consult Customer Service Department for additional information.

ITEM	PART NO.	1 2 3 4 5	DESCRIPTION	QTY.
32				
33				
34	11391G4		HOSE CLAMP, .25 - .63 DIA	2
35	604597		CARB FUEL SYSTEM HOSE,.25 I.D. X.50 O.D. X 26.00 LONG	1
36				
37	602061		FUEL PUMP	1
38	00114G6		HEX WASHER HEAD SLOTTED TAPPING SCREW, 1/4 - 14 X .75.....	2
39				
40	606310		CARBON CANISTER MOUNTING BRACKET	1
41	10570G11		RIVET, 3/16 DIA X .70	2
42				
43				
44	606071		CARBON CANISTER	1

REAR AXLE

- 1** REAR AXLE Includes Items 2 - 16
- 18** REAR AXLE WITH LIMITED SLIP Includes Items 2 - 16



REAR AXLE

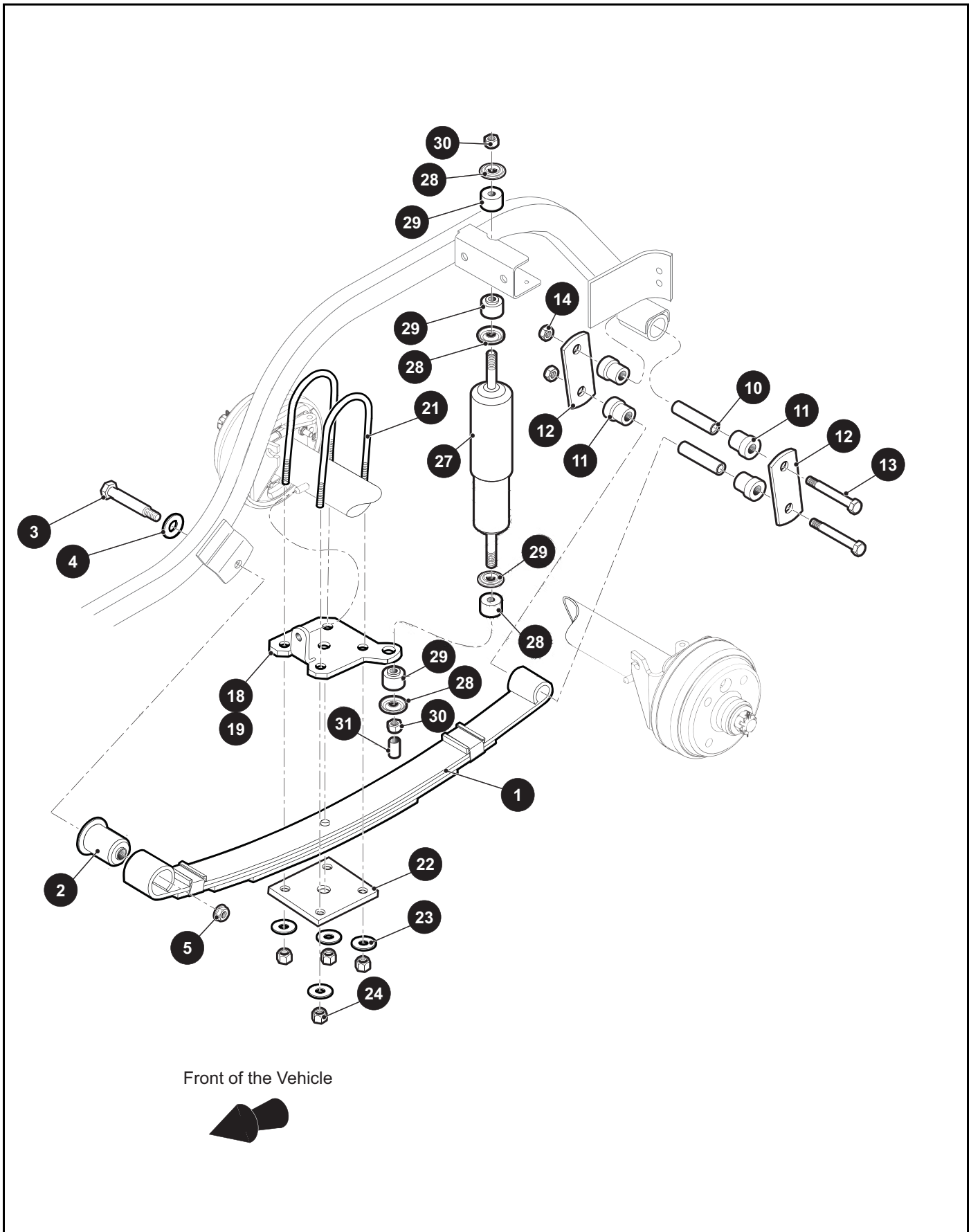
When ordering parts, please specify the model and serial number of the product.

* Indicates a component that is not available as an individual part.

*** Indicates consult Customer Service Department for additional information.

ITEM	PART NO.	1 2 3 4 5	DESCRIPTION	QTY.
1	605891		REAR AXLE (INCLUDES ITEMS 2 - 16)	1
2	26770-G01		OIL DRAIN PLUG	2
3	26771-G01		GASKET	2
4				
5				
6				
7	72259-G01		OIL SEAL 28 X 47 X 9	3
8	26823-G01		FLANGE BOLT M8 X 1.25 X 100	10
9	72260-G01		FLANGE BOLT M10 X 1.5 X 23	10
10	607940		AXLE TUBE (PASSENGER SIDE)	1
11	607939		AXLE TUBE (DRIVER SIDE)	1
12	607988		AXLE SHAFT (PASSENGER SIDE)	1
13	607987		AXLE SHAFT (DRIVER SIDE)	1
14	26811-G01		BALL BEARING	2
15	26814-G01		SNAP RING	2
16	606403		SLOTTED NUT	2
17				
18	617488		REAR AXLE WITH LIMITED SLIP (INCLUDES ITEMS 2 - 16)	1

REAR SUSPENSION



REAR SUSPENSION

When ordering parts, please specify the model and serial number of the product.

* Indicates a component that is not available as an individual part.

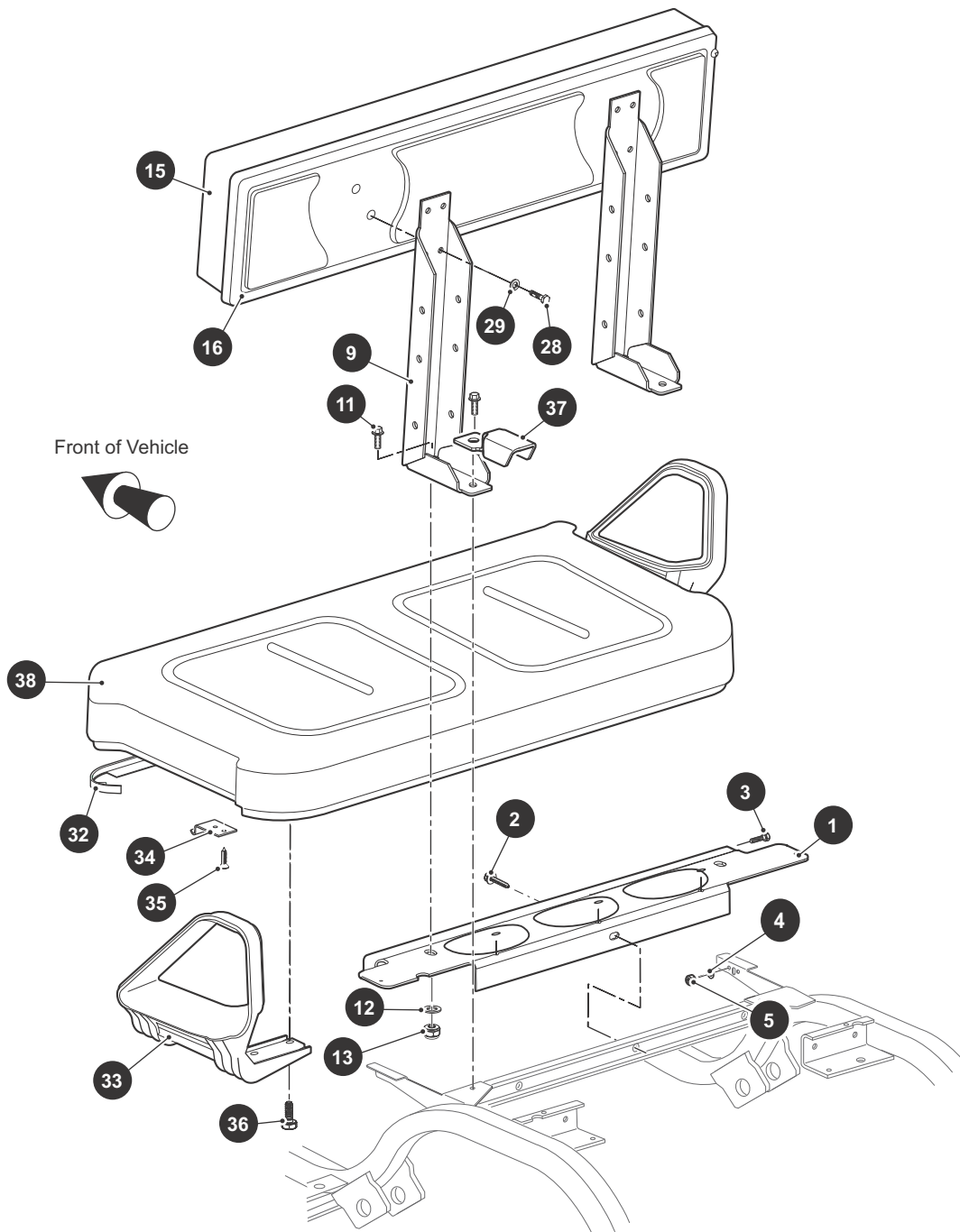
*** Indicates consult Customer Service Department for additional information.

ITEM	PART NO.	1 2 3 4 5	DESCRIPTION	QTY.
1	605721		HEAVY DUTY LEAF SPRING.....	2
2	605445		LEAF SPRING BUSHING, FRONT.....	2
3	00665G9		HEX HEAD BOLT, SS 3/8 - 16 X 3.5 LG.....	2
4	00643G1		FLAT WASHER, .411 I.D. X 1.00 O.D. X .06.....	2
5	12262G1		FLANGED LOCK NUT, 3/8 - 16.....	2
6				
7				
8				
9				
10	70289G02		SPLIT STEEL SPACER.....	4
11	70291G01		FLANGED URETHANE BUSHING.....	8
12	70270G02		SHACKLE PLATE.....	4
13	00665G9		HEX HEAD BOLT, SS 3/8 - 16 X 3.5 LG.....	4
14	11098G5		LOCK NUT, 3/8 - 16.....	4
15				
16				
17				
18	605938		AXLE BRACKET, DRIVER SIDE.....	1
19	605958		AXLE BRACKET, PASSTENGER SIDE.....	1
20				
21	32195G3		U-BOLT.....	4
22	605956		REAR SUSPENSION PLATE.....	2
23	00643G1		FLAT WASHER, .411 I.D. X 1.00 O.D. X .06.....	8
24	11098G5		LOCK NUT, 3/8 - 16.....	8
25				
26				
27	70248G01		SHOCK ABSORBER.....	2
28	10435G1		SHOCK ABSORBER WASHER.....	8
29	10194G1		RUBBER SHOCK BUSHING.....	8
30	00532G6		HEX NUT, 3/8 - 24.....	4
31	10044G01		VINYL CAP.....	2

SEATING

14 SEAT BACK ASSEMBLY Includes Items 15 -16

30 SEAT BOTTOM ASSEMBLY Includes Items 31 - 38



When ordering parts, please specify the model and serial number of the product.

* Indicates a component that is not available as an individual part.

*** Indicates consult Customer Service Department for additional information.

ITEM	PART NO.	1 2 3 4 5	DESCRIPTION	QTY.
1	71262G03		SEAT BACK SUPPORT	1
2	00715G2		BOLT, 5/16 - 18 X 13/16" LG.....	1
3	00438G8		BOLT, 5/16 - 18 X 3/4" LG.....	2
4	00642G8		FLAT WASHER, 5/16".....	2
5	11098G6		LOCK NUT, 5/16 - 18	2
6	74947G01		BED BUMPER BRACKET	2
7				
8				
9	624486		SEAT BACK SUPPORT BRACKET.....	2
10				
11	00427G2		BOLT, 3/8 - 16 X 1 1/4" LG.....	4
12	00560G1		WASHER, 3/8"	2
13	11098G5		LOCK NUT, 3/8 - 16	2
14	***		SEAT BACK ASSEMBLY (INCLUDES ITEMS 15 - 16) 71274G04 GRAY 71274G03 WHITE 71274G02 TAN 71274G01 OYSTER	
15	***		BACK REST COVER 18144G5 GRAY 18144G2 WHITE 18144G4 TAN 18144G6 OYSTER	
16	74889G01		PLASTIC SEAT BACK COVER	1
17				
18				
19				
20				
21				
22				
23				
24				
25				
26				

SEATING

When ordering parts, please specify the model and serial number of the product.

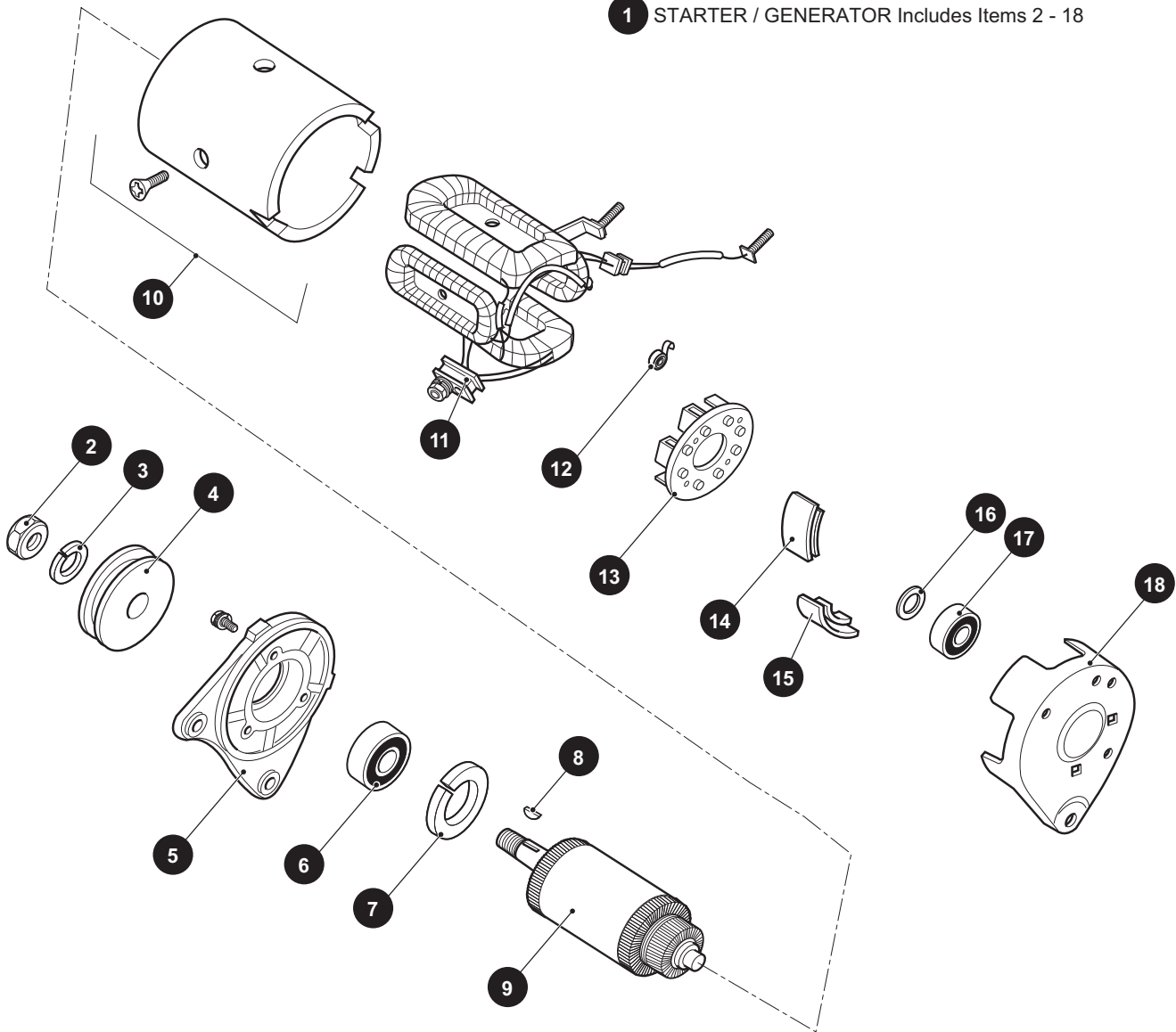
* Indicates a component that is not available as an individual part.

*** Indicates consult Customer Service Department for additional information.

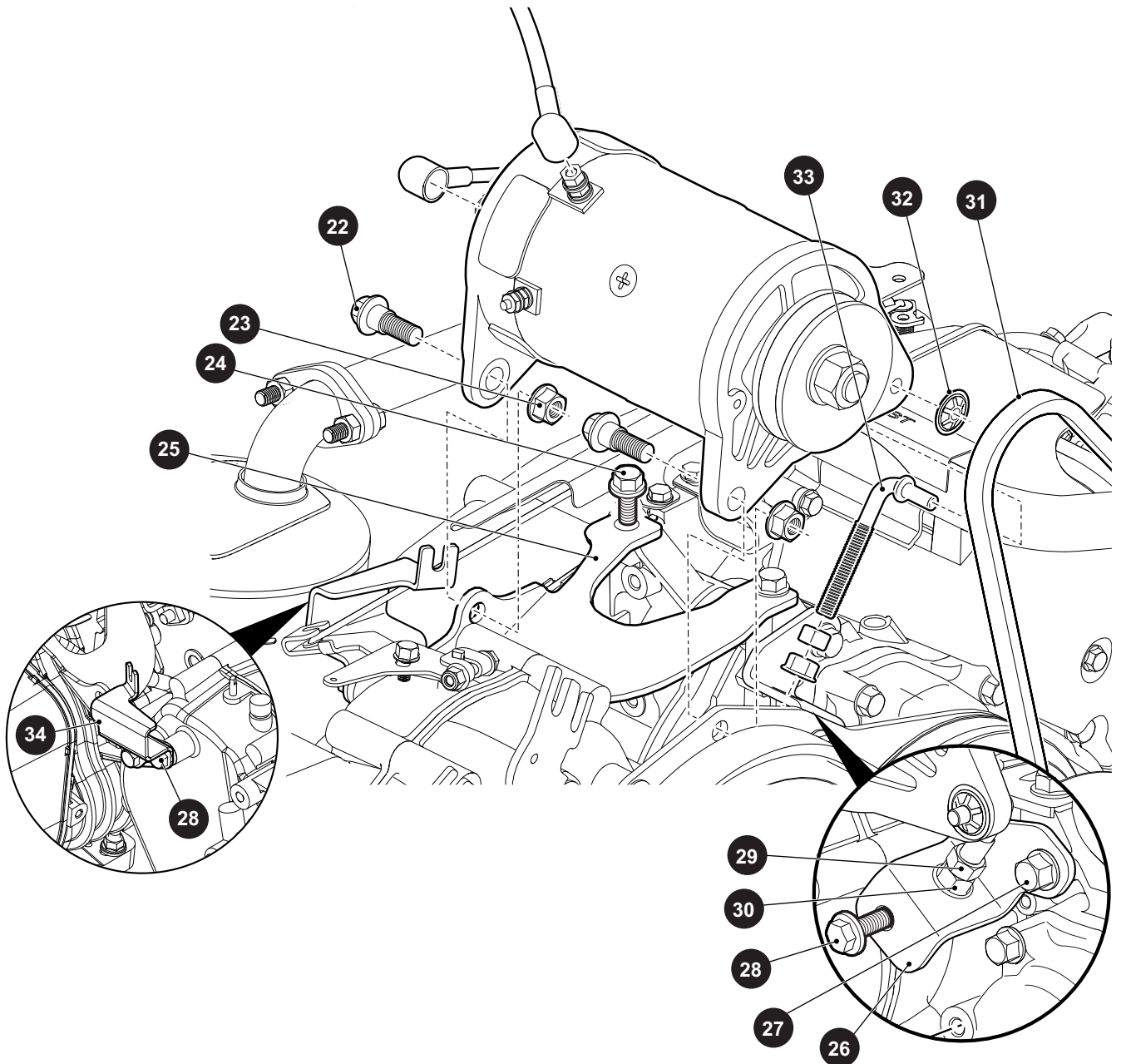
ITEM	PART NO.	1	2	3	4	5	DESCRIPTION	QTY.
27								
28	605056						SCREW HEX HEAD, 1/4 - 20 X 1" W/PATCH LOCK	4
29	00664G7						LOCK WASHER, 1/4" (STAINLESS STEEL).....	4
30	***						SEAT BOTTOM ASSEMBLY (INCLUDES ITEMS 31 - 38) 71611G01 WHITE 71611G07 TAN 71611G05 OYSTER 71611G03 GRAY	
31								
32	71012G01						VINYL TRIM (SEAT BOTTOM)	1
33	71702G01						HIP RESTRAINT (DRIVER SIDE)	1
34	71610G01						SEAT HINGE.....	2
35	00720G08						SCREW, #12 - 14 X 1" LG.....	6
36	71204G01						BOLT, 1/4 - 20 X 7/8" LG.....	1
37	71701G01						HIP RESTRAINT (PASSENGER SIDE).....	1
38	***						SEAT BOTTOM COVER 71602G01 WHITE 71602G04 TAN 71602G03 OYSTER 71602G02 GRAY	

STARTER GENERATOR

1 STARTER / GENERATOR Includes Items 2 - 18



STARTER GENERATOR



STARTER GENERATOR

When ordering parts, please specify the model and serial number of the product.

* Indicates a component that is not available as an individual part.

*** Indicates consult Customer Service Department for additional information.

ITEM	PART NO.	1 2 3 4 5	DESCRIPTION	QTY.
1	617120		STARTER / GENERATOR (Includes Items 2 - 18).....	1
2	612029		NUT, AMD	1
3	612030		LOCK WASHER, AMD.....	1
4	617172		PULLEY	1
5	612032		FRONT COVER.....	1
6	612033		BEARING	1
7	612034		RETAINING RING.....	1
8	612035		KEY	1
9	612036		ARMATURE ASSEMBLY	1
10	612037		FRAME & FIELD ASSEMBLY	1
11	612038		BRUSH LEAD & TERMINAL PKG.....	1
12	612039		BRUSH SPRING.....	1
13	612040		BRUSH BOX ASSEMBLY.....	1
14	612041		BRUSH 1 COVER.....	2
15	612042		BRUSH 2 COVER.....	2
16	612043		WAVY WASHER	1
17	612044		BEARING.....	1
18	612045		REAR COVER	1
19				
20				
21				
22	606235		BOLT, HXFL SHLDR - M10 - 1.25 X 20.....	2
23	606279		NUT, M10 - 1.25	2
24	606261		BOLT, M8 - 1.25 X 20	3
25	602141		STARTER / GENERATOR BRACKET.....	1
26	602145		TENSIONER BRACKET.....	1
27	606261		BOLT, M8 - 1.25 X 20	1
28	606256		BOLT, M10 - 1.25 X 25	9
29	606255		NUT, M10 - 1.25	1
30	606274		NUT, M10 - 1.25	1
31	16548G1		STARTER / GENERATOR BELT	1

STARTER GENERATOR

When ordering parts, please specify the model and serial number of the product.

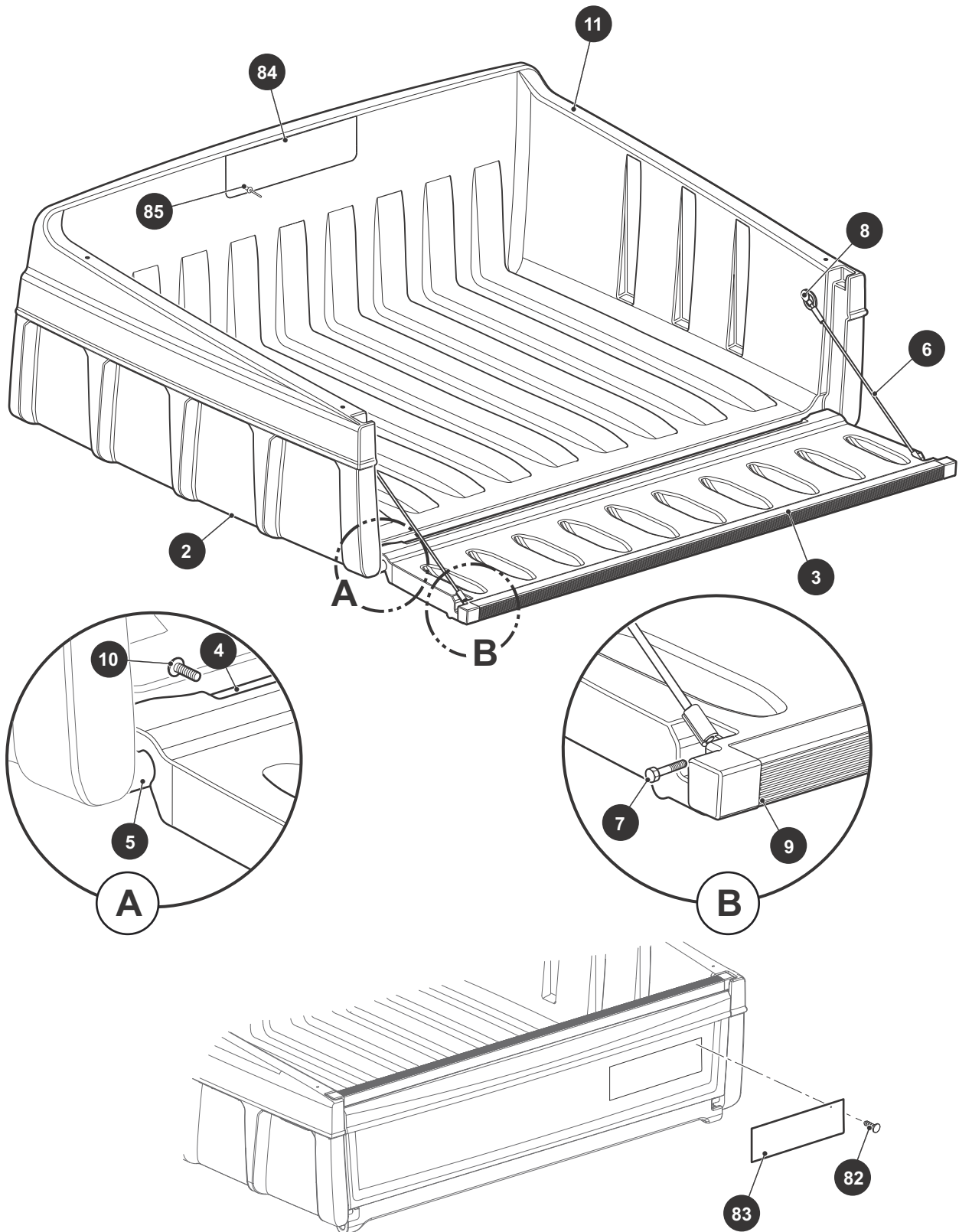
* Indicates a component that is not available as an individual part.

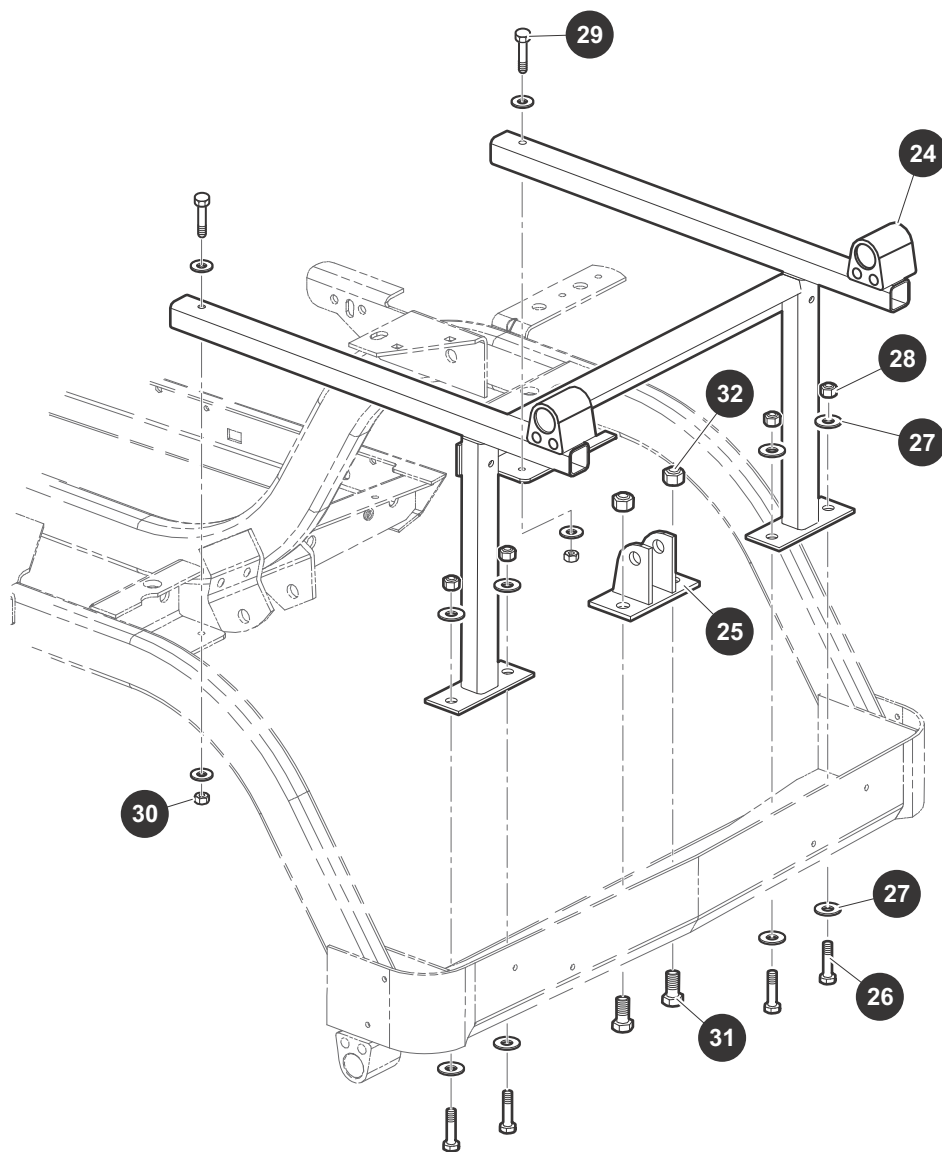
*** Indicates consult Customer Service Department for additional information.

ITEM	PART NO.	1 2 3 4 5	DESCRIPTION	QTY.
32	12064G6		PUSH NUT, 5/16"	1
33	625705		TENSIONER BOLT	1
34	603884		CABLE GUIDE BRACKET	1

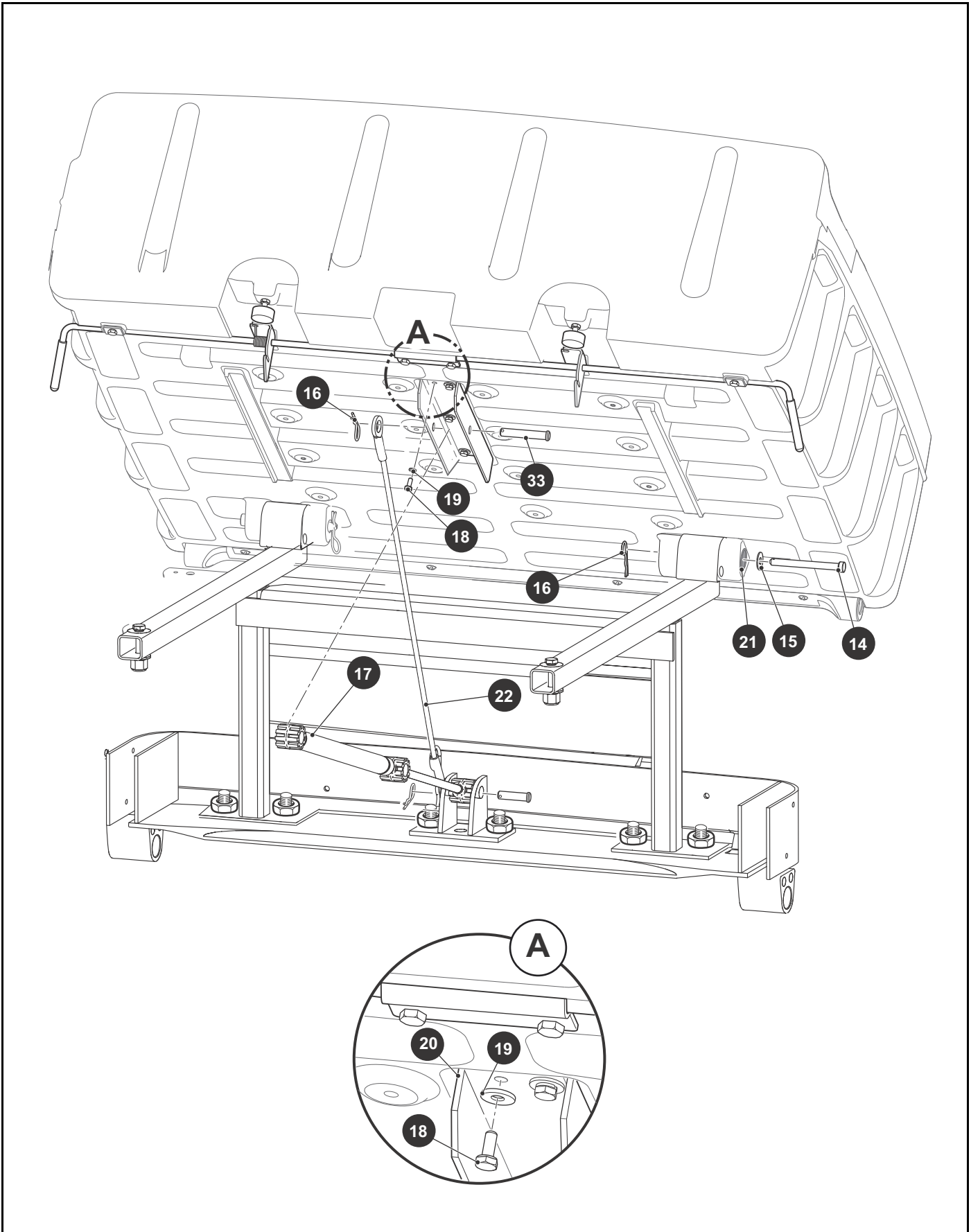
TRUCK BED - PLASTIC

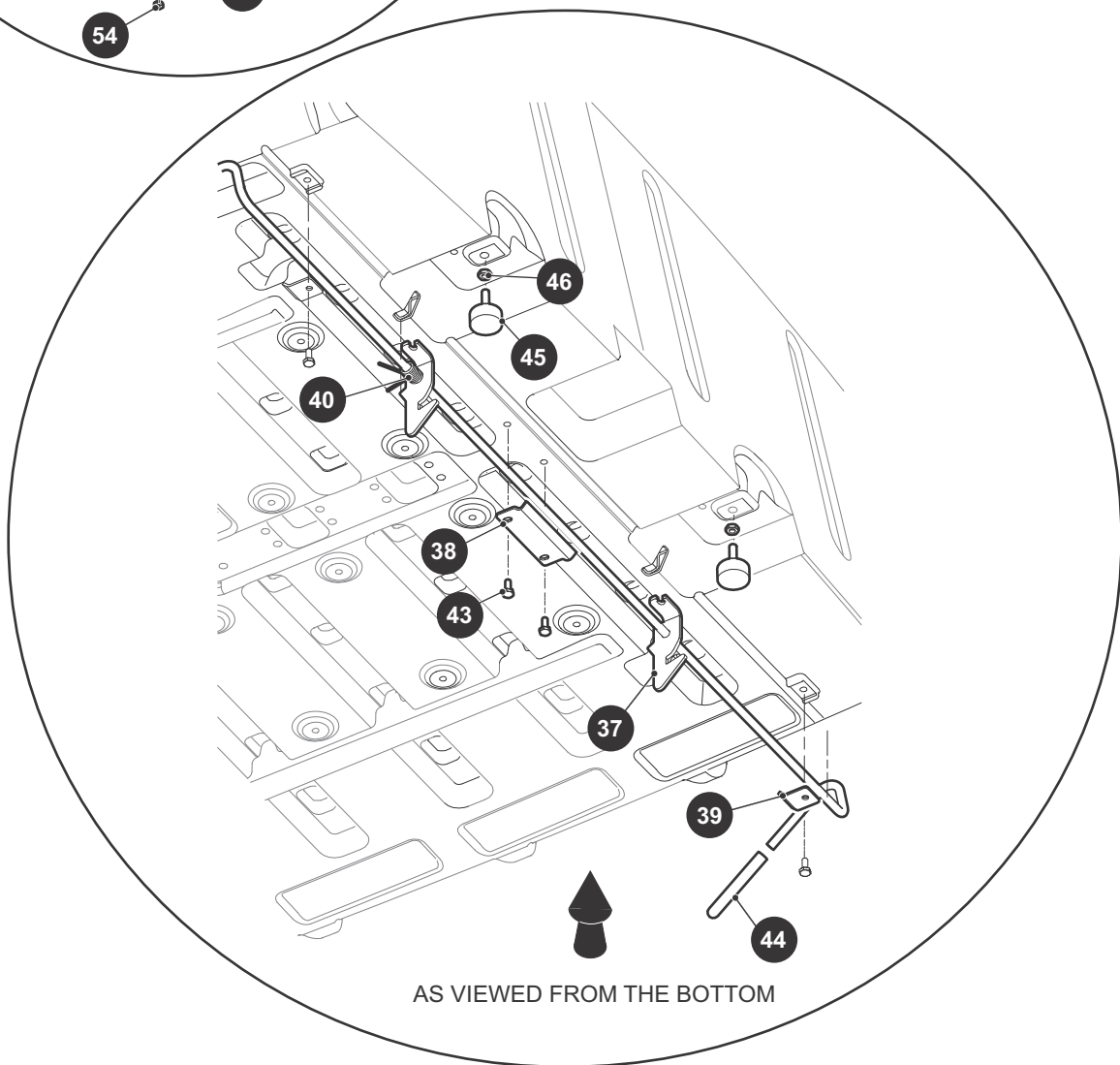
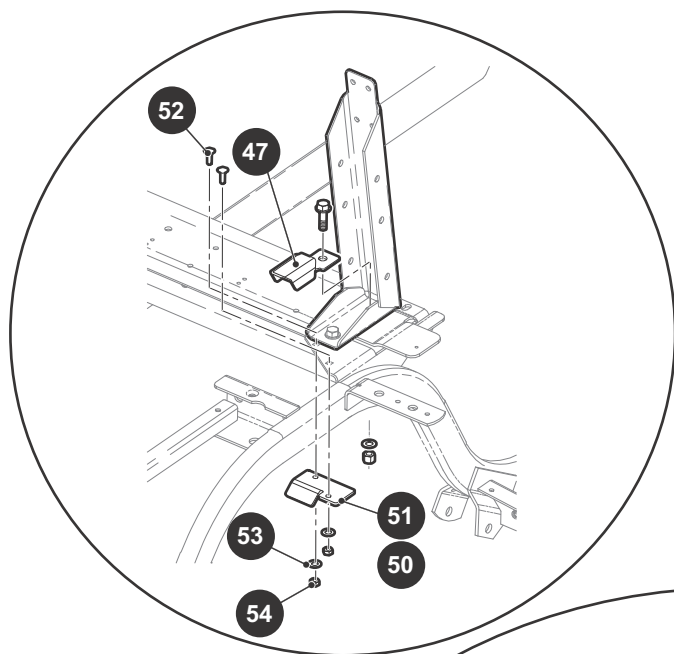
1 36" PLASTIC BED ASSEMBLY Includes Items 2 - 11





TRUCK BED - PLASTIC

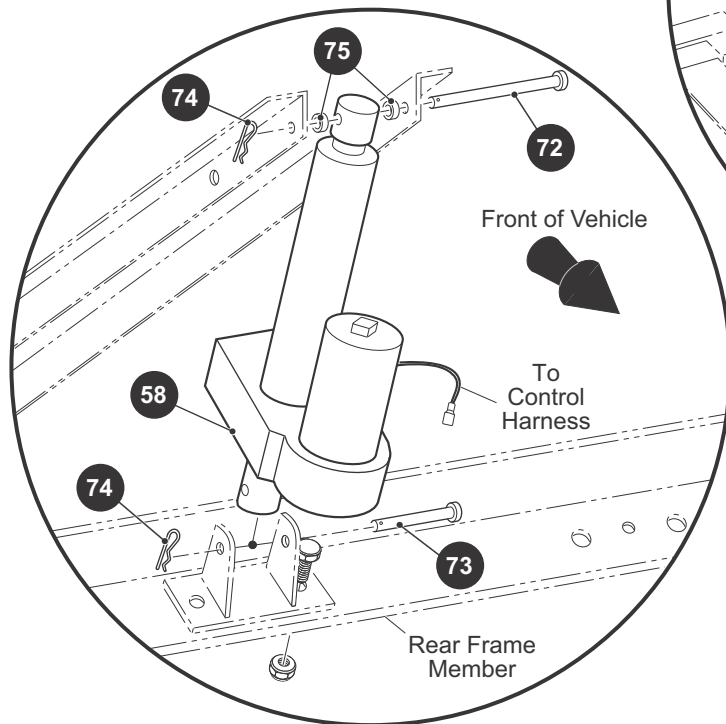
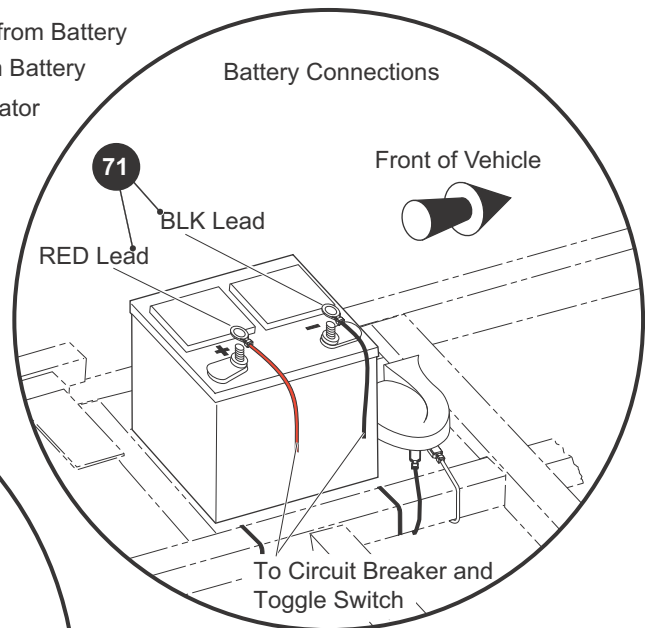
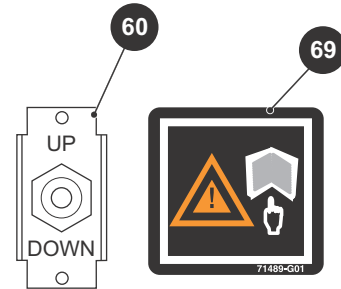
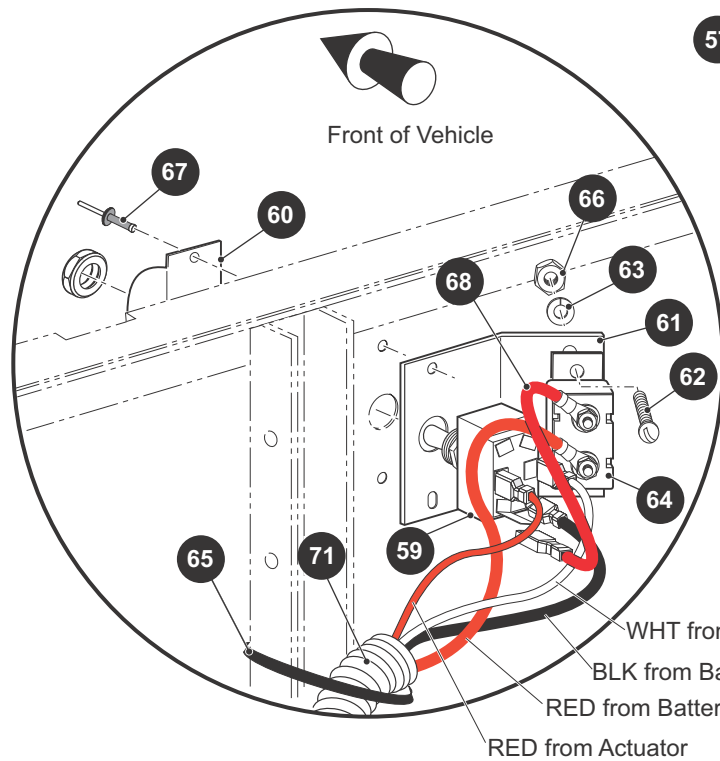


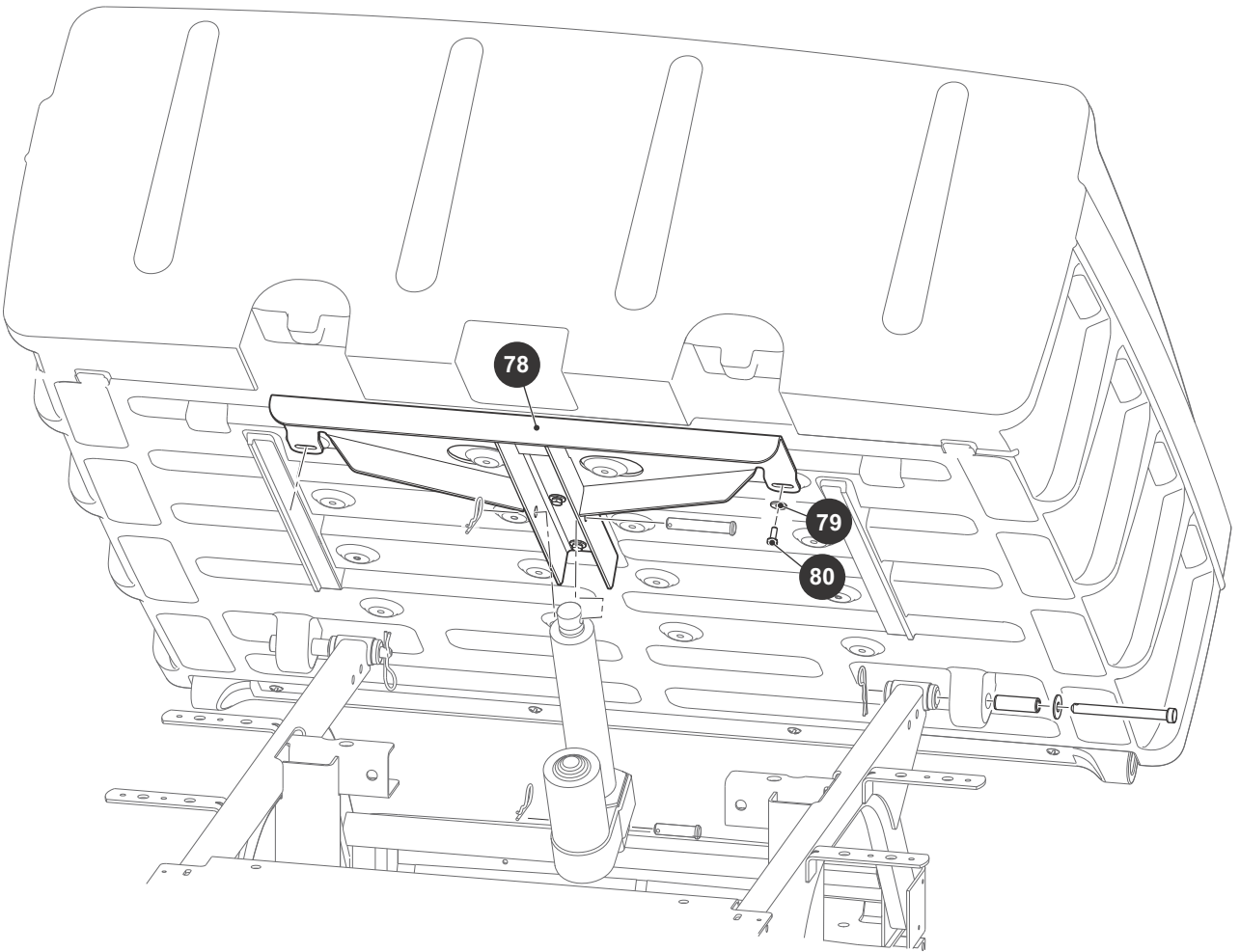


AS VIEWED FROM THE BOTTOM

TRUCK BED - PLASTIC

57 ELECTRIC DUMP KIT Includes Items 58 - 75





TRUCK BED - PLASTIC

When ordering parts, please specify the model and serial number of the product.

* Indicates a component that is not available as an individual part.

*** Indicates consult Customer Service Department for additional information.

ITEM	PART NO.	1 2 3 4 5	DESCRIPTION	QTY.
1	72647G01		36" PLASTIC TRUCK BED ASSEMBLY (INCLUDES ITEMS 2 - 11).....	1
2	72648G01		36" PLASTIC BED	1
3	72649G01		36" PLASTIC TAILGATE	1
4	73450G01		BOWED ANGLE	1
5	73454G01		PIVOT SHAFT.....	2
6	73455G02		TAILGATE CABLE ASSEMBLY	2
7	00415G2		HEX HEAD BOLT, 1/4 - 20 X 1.25" LG	2
8	73460G01		PHILLIPS SHOULDER SCREW, 1/4 - 20 X .75"	2
9	73449G01		TAILGATE CAP	1
10	16705G2		PAN HEAD PHILLIPS SCREW, 1/4 - 2 X .62" LG	4
11	16816G5		RACHET FASTENER	4
12				
13				
14	71571G01		CLEVIS PIN, .50 DIA X 5.25" LG	2
15	00571G5		WIDE FLAT WASHER, 1/2".....	2
16	21683G1		HAIRPIN COTTER	2
17	71537G02		GAS SPRING	1
18	01118G01		HEX HEAD BOLT W/PATCHLOCK, 1/4 - 20 X .62" LG.....	8
19	00642G7		FLAT WASHER, 1/4"	8
20	71569G02		GAS SPRING CHANNEL	1
21	70291G01		FLANGED URETHANE BUSHING	4
22	602904		CABLE ASSEMBLY	1
23				
24	76423G01		TRUCK BED FRAME	1
25	71283G02		ELECTRIC LIFT BRACKET	1
26	00439G2		HEX HEAD BOLT, 5/16 - 18 X 1.25" LG	4
27	00642G8		FLAT WASHER, 5/16"	8
28	11098G6		LOCK NUT, 5/16 - 18.....	2
29	00415G6		HEX HEAD BOLT, 1/4 - 20 X 1.75" LG	2
30	00891G2		LOCK NUT, 1/4 - 20.....	2
31	00462G7		HEX HEAD BOLT, 7/16 - 14 X .875" LG	2

TRUCK BED - PLASTIC

When ordering parts, please specify the model and serial number of the product.

* Indicates a component that is not available as an individual part.

*** Indicates consult Customer Service Department for additional information.

ITEM	PART NO.	1 2 3 4 5	DESCRIPTION	QTY.
32	00734G1		NUT, 7/16 - 14.....	2
33	14443G10		CLEVIS PIN, .50 DIA X 3" LG.....	1
34	14443G12		CLEVIS PIN, .50 DIA X 2.2" LG.....	1
35				
36				
37	74962G01		LATCH BED WELDMENT.....	1
38	71477G02		BRACKET.....	1
39	71099G02		LATCH PLATE.....	2
40	71538G01		TORSION SPRING.....	1
41				
42				
43	01118G01		SCREW, 1/4 - 2 X 5/8" LG.....	4
44	71704G01		HANDLE GRIP.....	2
45	70113G01		ADJUSTABLE BUMPER.....	2
46	11027G1		LOCK NUT, 5/16 - 18.....	2
47	74947G01		BUMPER BRACKET.....	2
48				
49				
50	602977		LATCH PLATE (DRIVER SIDE).....	1
51	602978		LATCH PLATE (PASSENGER SIDE).....	1
52	01014G03		CARRIAGE BOLT, 1/4 - 20 X .75" LG.....	4
53	00559G7		FLAT WASHER, 1/4".....	4
54	14390G4		LOCK NUT, 1/4 - 20.....	4
55				
56				
57	74164G04		ELECTRIC DUMP KIT (INCLUDES ITEMS 58 - 75).....	1
58	27612G02		ELECTRIC ACTUATOR.....	1
59	27680G01		TOGGLE SWITCH.....	1
60	27447G01		TOGGLE GUARD.....	1
61	74165G02		CIRCUIT BREAKER MOUNTING BRACKET.....	1
62	00150G4		SCREW, 10 - 24 X .50" LG.....	2

TRUCK BED - PLASTIC

When ordering parts, please specify the model and serial number of the product.

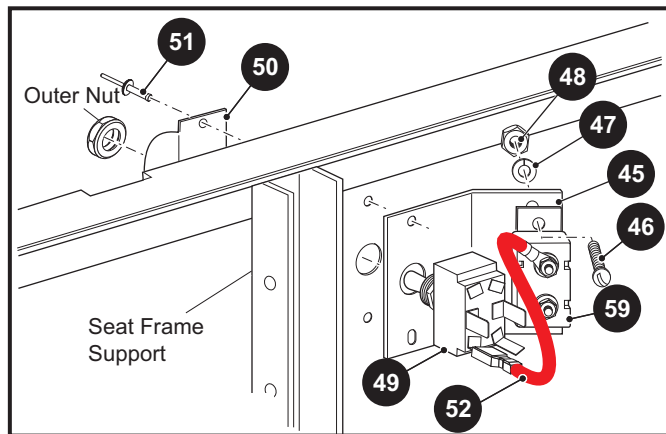
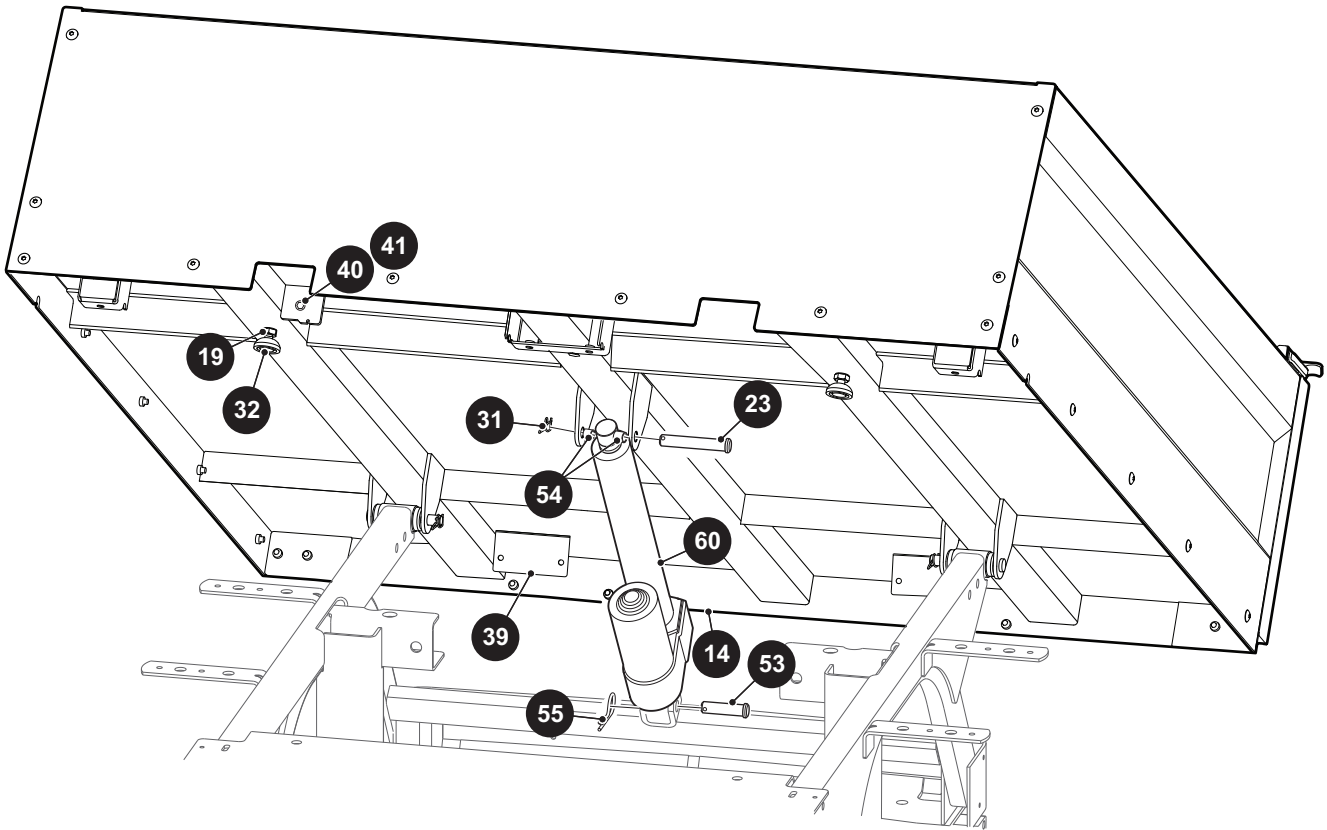
* Indicates a component that is not available as an individual part.

*** Indicates consult Customer Service Department for additional information.

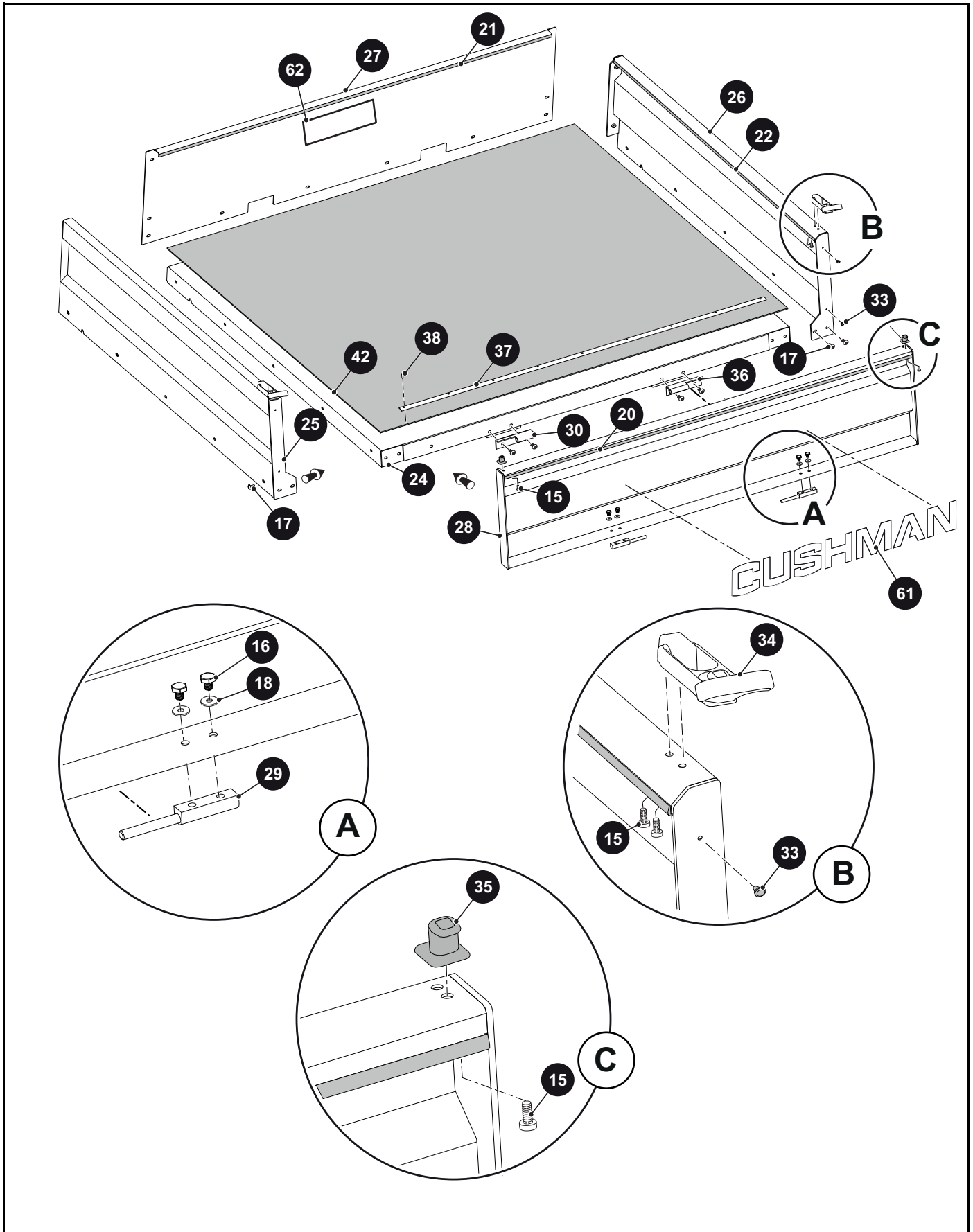
ITEM	PART NO.	1	2	3	4	5	DESCRIPTION	QTY.
63	00565G5						LOCK WASHER, #10.....	2
64	21320G3						CIRCUIT BREAKER 30A 12V.....	1
65	17618G1						WIRE TIE	8
66	00526G3						NUT, #10 - 24.....	2
67	10570G9						RIVET, 5/32 X .55.....	2
68	25976G14						14 GA WIRE ASSEMBLY (RED 5").....	1
69	71489G01						READ INSTRUCTIONS DECAL	1
70								
71	74163G01						WIRE HARNESS, ELECTRIC DUMP	1
72	14443G10						CLEVIS PIN, .50" DIA X 2.88" LG.....	1
73	14443G11						CLEVIS PIN, .50" DIA X 1.75" LG.....	1
74	21683G1						COTTER PIN, 15/32" X 2 13/16" LG.....	2
75	27613G01						SPACER.....	2
76								
77								
78	71547G02						OUTRIGGER CHANNEL.....	1
79	00642G7						WASHER, 1/4".....	8
80	01118G01						HEX HEAD BOLT, 1/4 - 20 X .62" LG.....	8
81								
82	16812G2						RATCHET FASTENER.....	2
83	619207						CUSHMAN TAILGATE DECAL.....	
84	74821G05						BED CAPACITY LABEL (250 LB)	1
85	71055G01						RIVET, 3/16"	5

TRUCK BED - METAL

1 ALUMINUM BED, ELECTRIC LIFT Includes Items 14, 43 - 60



TRUCK BED - METAL



TRUCK BED - METAL

When ordering parts, please specify the model and serial number of the product.

* Indicates a component that is not available as an individual part.

*** Indicates consult Customer Service Department for additional information.

ITEM	PART NO.	1 2 3 4 5	DESCRIPTION	QTY.
1	620482		ALUMINUM BED, ELECTRIC LIFT (Includes Items 14, 43 - 60)	1
2				
3				
4				
5				
6				
7				
8				
9				
10				
11				
12				
13				
14	612612		ALUMINUM BED, LARGE (Includes Items 15 - 42).....	1
15	612957		PAN HEAD SCREW, 10 - 24 X 1/2" LG.....	6
16	612958		HEX HEAD BOLT, 1/4 - 20 X 3/8" LG.....	4
17	612959		TORX SCREW, 1/4 -20 X 1/2".....	28
18	612960		FLAT WASHER, 1/4"	4
19	612961		HEX NUT, 3/8 -16	2
20	612962		EDGE PROTECTOR.....	1
21	612963		EDGE PROTECTOR.....	1
22	612964		EDGE PROTECTOR.....	2
23	612965		CLEVIS PIN, 1/2" X 3" LG.....	3
24	612966		BED BOTTOM WELDMENT	1
25	612967		SIDE PANEL WELDMENT (DRIVER SIDE).....	1
26	612968		SIDE PANEL WELDMENT (PASSENGER SIDE)	1
27	612969		FRONT PANEL.....	1
28	612970		TAILGATE.....	1
29	612971		PIVOT PIN.....	2
30	612972		TAILGATE HINGE (DRIVER SIDE).....	1
31	612973		RUE PIVOT RING CLIP	3

TRUCK BED - METAL

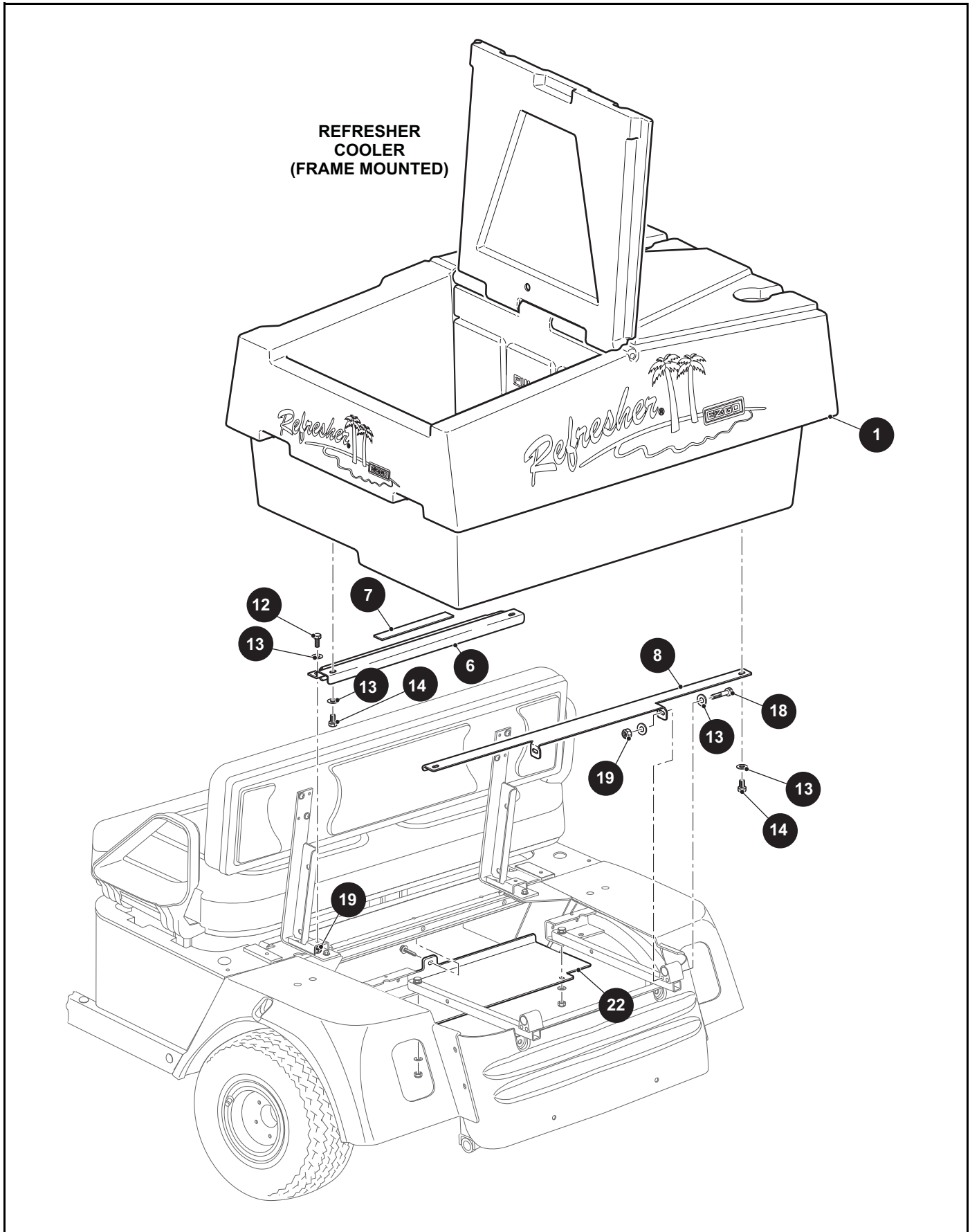
When ordering parts, please specify the model and serial number of the product.

* Indicates a component that is not available as an individual part.

*** Indicates consult Customer Service Department for additional information.

ITEM	PART NO.	1	2	3	4	5	DESCRIPTION	QTY.
32	612974						LEVELING PAD	2
33	612975						BUMPER INSERT,RUBBER	4
34	612976						DRAW LATCH ASSY	2
35	612977						DRAW LATCH KEEPER	2
36	612978						TAILGATE HINGE, (PASSENGER SIDE)	1
37	614440						MAT RETAINER	1
38	614445						RIVET, 3/16"	9
39	614444						HINGE SUPPORT	2
40	614565						HEX NUT,#10 - 24.....	2
41	614564						HEX BOLT, 5/16 -18 X 7/8".....	1
42	620641						RUBBER MAT	1
43	70291G01						FLANGED BUSHING, URETHANE	4
44	17618G1						NYLON CLAMP (NOT SHOWN)	8
45	74165G02						CIRCUIT BREAKER MOUNTING BRACKET	1
46	00150G4						SCREW, #10 - 24 X 1/2" LG	2
47	00565G5						LOCK WASHER, #10	2
48	00526G3						HEXAGONAL NUT, #10 - 24	2
49	27680G01						TOGGLE SWITCH.....	1
50	27447G01						TOGGLE GUARD ASSEMBLY	1
51	10570G9						RIVET, 1/8" X 11/32" LG (ALUMINUM).....	2
52	25976G14						14 GA WIRE (RED 5").....	1
53	14443G11						CLEVIS PIN, 1/2" X 1 3/4" LG	1
54	27613G01						SPACER	2
55	21683G1						COTTER PIN, 15/32" X 2 13/16" LG	1
56	74163G01						DUMP HARNESS (48V) (NOT SHOWN)	1
57	11845G3						INSULATED CABLE CLAMP, 11/16" (NOT SHOWN)	2
58	00532G3						HEX NUT, 5/16 - 18 (NOT SHOWN)	2
59	21320G3						CIRCUIT BREAKER (30 AMP 12V)	1
60	27612G04						ELECTRIC ACTUATOR, 48V	1
61	618088						CUSHMAN REAR BED DECAL.....	1
62	74821G01						BED CAPACITY LABEL.....	1

TRUCK BED - REFRESHER



TRUCK BED - REFRESHER

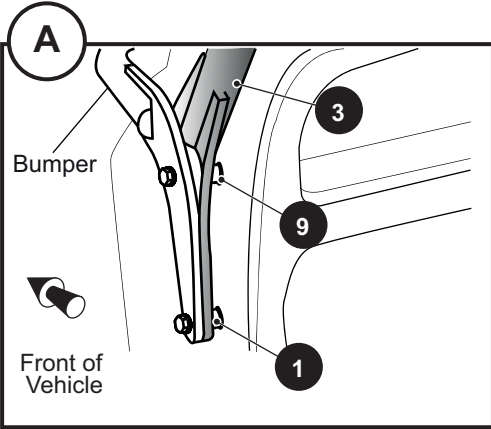
When ordering parts, please specify the model and serial number of the product.

* Indicates a component that is not available as an individual part.

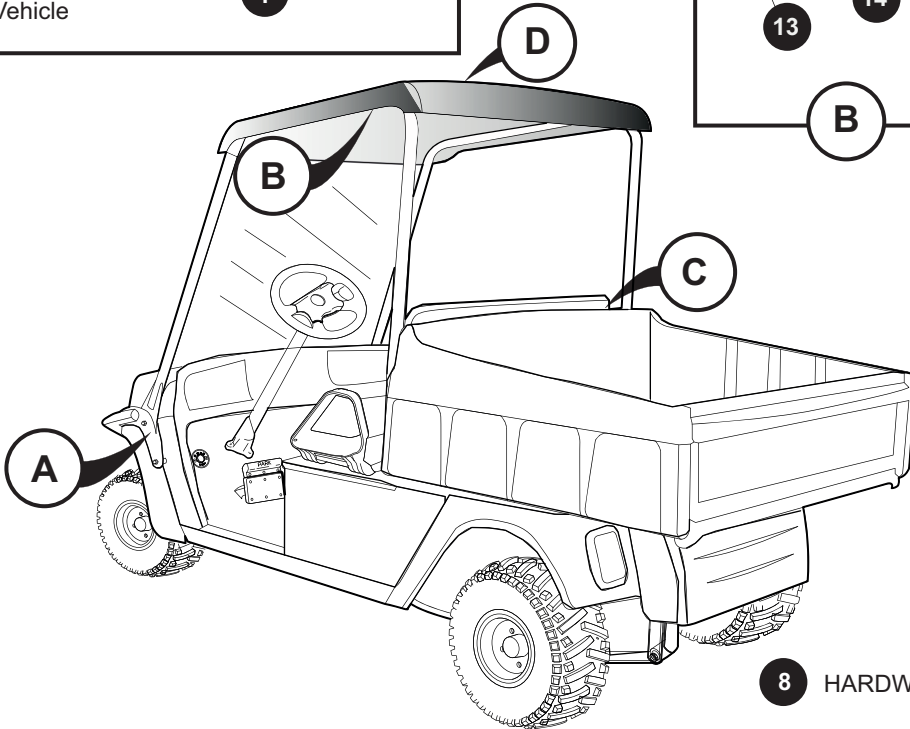
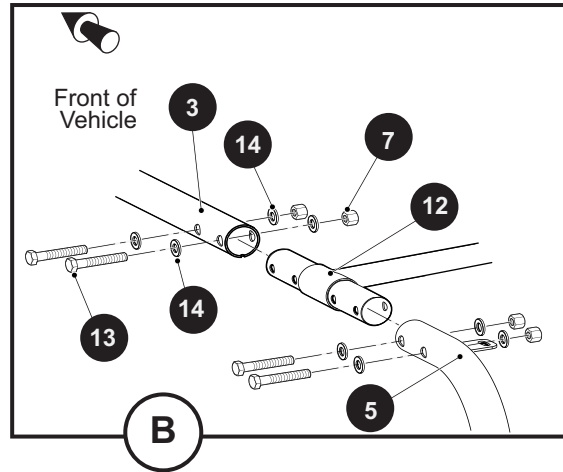
*** Indicates consult Customer Service Department for additional information.

ITEM	PART NO.	1 2 3 4 5	DESCRIPTION	QTY.
1	75663G01		REFRESHER COOLER.....	1
2				
3				
4				
5	75752G02		SUPPORT / DECAL ASSEMBLY (INCLUDES ITEMS 6 -7)	1
6	*		REFRESHER FRONT SUPPORT.....	1
7	75751G01		REFRESHER CAUTION DECAL	1
8	75672G02		REFRESHER REAR SUPPORT.....	1
9				
10				
11				
12	00270G5		BOLT, 5/16 - 18 x 5/8" LG	4
13	00559G8		FLAT WASHER, 5/16".....	10
14	00438G6		BOLT, 5/16 - 18 x 3/4" LG	2
15				
16				
17				
18	00440G4		BOLT, 5/16 - 18 x 2 1/2" LG	2
19	11098G6		LOCK NUT, 5/16 - 18.....	4
20				
21				
22	75749G01		HEAT SHIELD.....	1

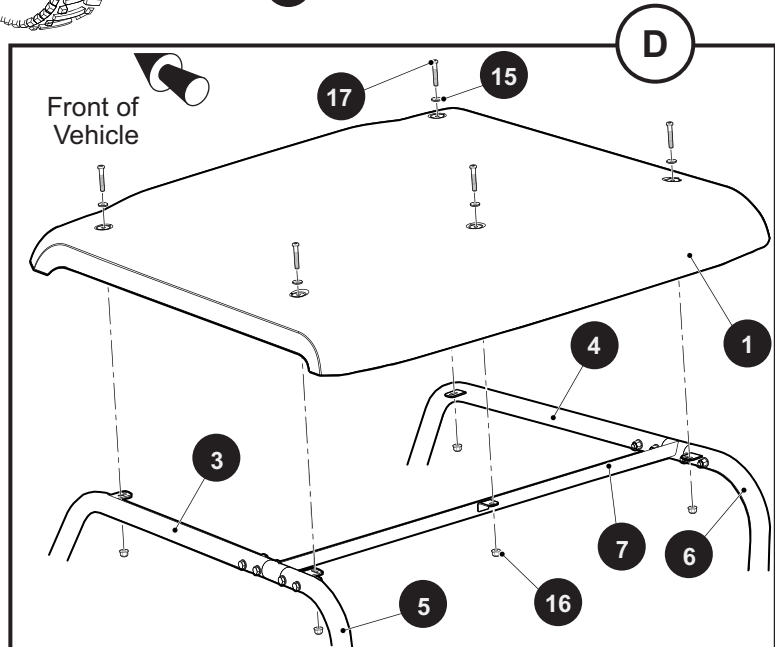
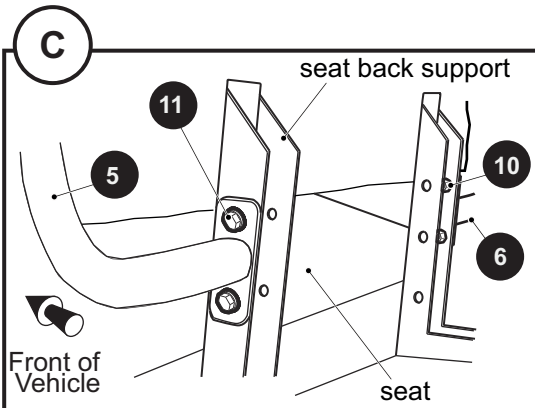
WEATHER PROTECTION



2 CANOPY STRUTS KIT Includes Items 3 - 8



8 HARDWARE KIT Includes Items 9 - 16

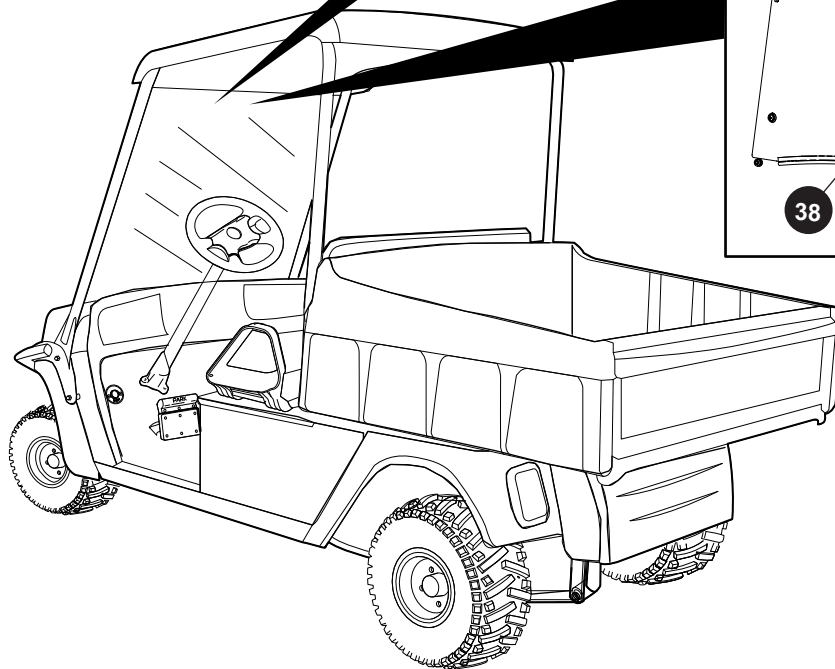
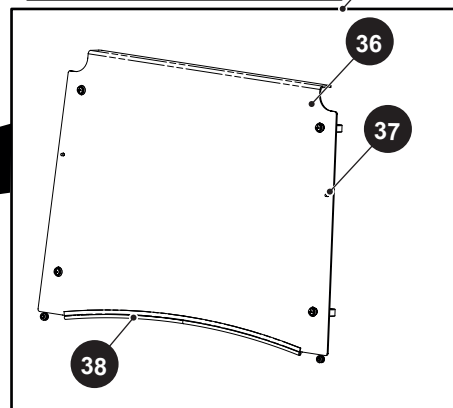
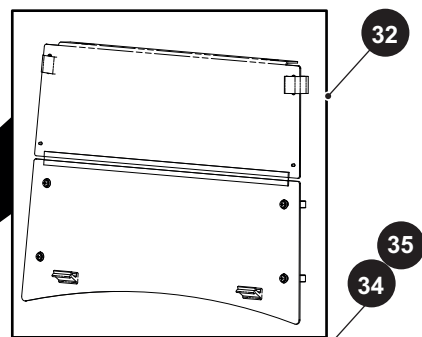
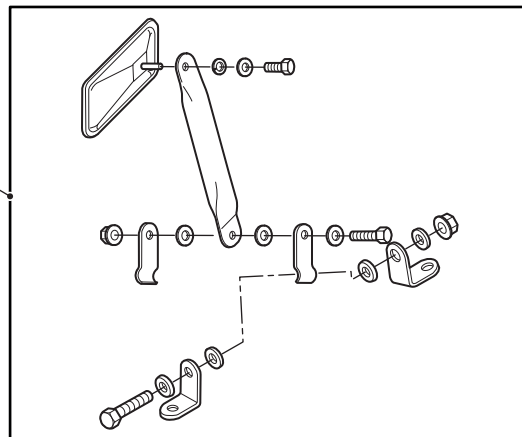
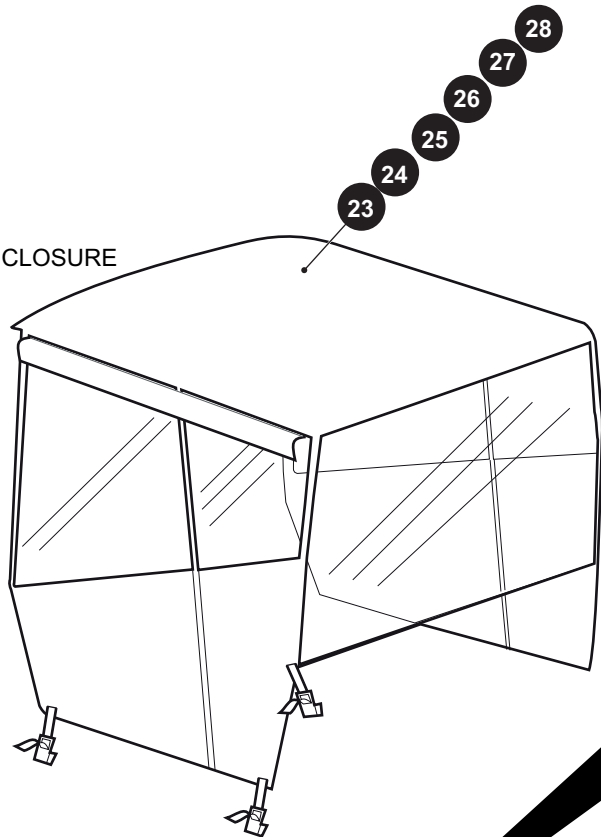


33 FULL WINDSHIELD Assembly Includes Items 34 - 35

35 FULL WINDSHIELD Assembly Includes Items 36 - 38

REAR VIEW MIRROR

ENCLOSURE



WEATHER PROTECTION

When ordering parts, please specify the model and serial number of the product.

* Indicates a component that is not available as an individual part.

*** Indicates consult Customer Service Department for additional information.

ITEM	PART NO.	1 2 3 4 5	DESCRIPTION	QTY.
1	75048G01		SPACER, 1/2"	2
2	624174		CANOPY STRUTS KIT (Includes Items 3 - 8)	1
3	626077		CANOPY SUPPORT, (DRIVER SIDE FRONT)	1
4	626078		CANOPY SUPPORT, (PASSENGER SIDE FRONT).....	1
5	626084		CANOPY SUPPORT, (DRIVER SIDE REAR).....	1
6	626085		CANOPY SUPPORT, (PASSENGER SIDE REAR)	1
7	617641		CANOPY SUPPORT, CROSS TUBE	1
8	624119		HARDWARE KIT (Includes Items 9 - 16).....	1
9	619586		SPACER, 3/4"	2
10	11098G6		PLASTIC INSERT LOCK NUT, 5/16 - 18.....	4
11	00438G7		BOLT, 5/16-18 X 7/8	4
12	11098G5		PLASTIC INSERT LOCK NUT, 3/8-16.....	8
13	00428G2		HEX BOLT, 3/8-16 X 2 - 1/4	8
14	00560G1		FLAT WASHER, 3/8	16
15	00915G1		WASHER (BONDED SEAL), 1/4" I.D	5
16	601476		LOCK NUT, M6-1.....	5
17	624829		BLACK CANOPY.....	1
18	602063		TORX BOLT, M6-1X40	5
19				
20				
21				
22				
23	624829		BLACK TOP ENCLOSURE	1
24	624830		GRAY TOP ENCLOSURE	1
25	624831		GREEN TOP ENCLOSURE	1
26	624832		WHITE TOP ENCLOSURE	1
27	624833		TAN TOP ENCLOSURE	1
28	*		VELCRO.....	AR
29				
30				
31				

WEATHER PROTECTION

When ordering parts, please specify the model and serial number of the product.

* Indicates a component that is not available as an individual part.

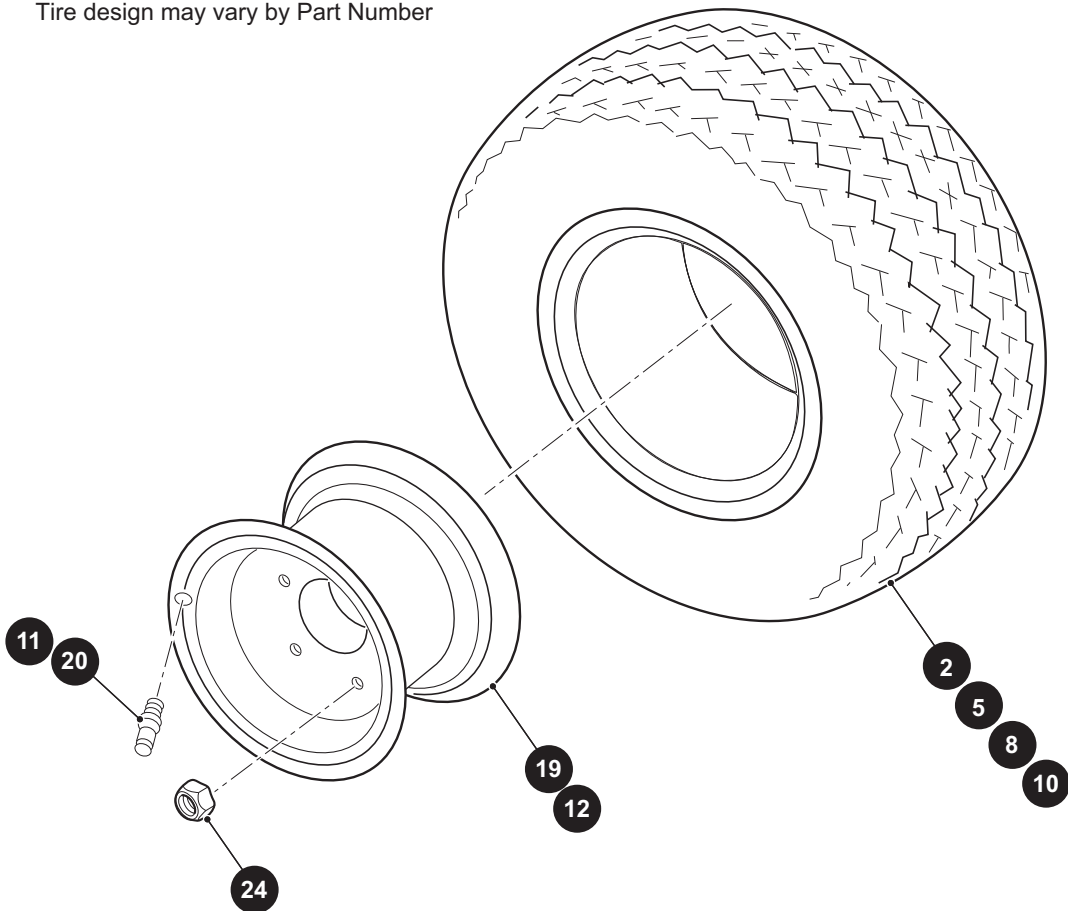
*** Indicates consult Customer Service Department for additional information.

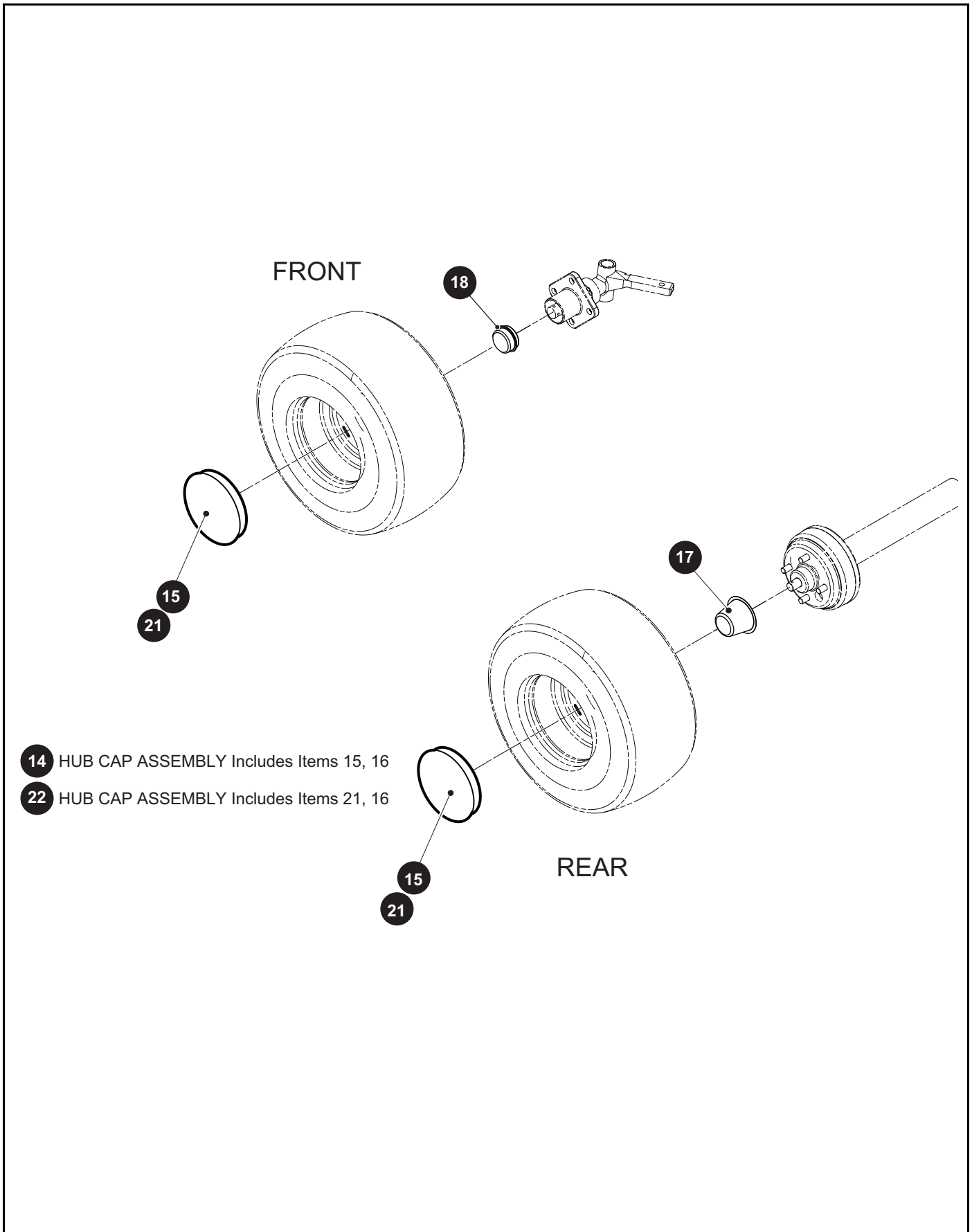
ITEM	PART NO.	1 2 3 4 5	DESCRIPTION	QTY.
32	619075		SPLIT WINDSHIELD.....	1
33	619074		FULL WINDSHIELD (Includes Items 34 - 35).....	1
34	619071		WINDSHIELD HARDWARE KIT.....	2
35	619070		FULL WINDSHIELD ASSEMBLY (Includes Items 36 - 38)	1
36	619072		FULL WINDSHIELD.....	1
37	604115		WINDSHIELD ISOLATOR GROMMET.....	2
38	625100		WINDSHIELD M OLDING.....	1
39				
40	27924G01		MIRROR ASSEMBLY	1

WHEELS AND TIRES

- 1 WHEELS AND TIRE ASSEMBLY (Links) Includes Items 2, 19, 20
- 4 WHEELS AND TIRE ASSEMBLY (Turf saver) Includes Items 5, 19, 20
- 7 WHEELS AND TIRE ASSEMBLY (Sure Trail) Includes Items 8, 19, 20
- 9 WHEELS AND TIRE ASSEMBLY (Turf saver) Includes Items 10, 11, 12

Tire design may vary by Part Number





14 HUB CAP ASSEMBLY Includes Items 15, 16

22 HUB CAP ASSEMBLY Includes Items 21, 16

WHEELS AND TIRES

When ordering parts, please specify the model and serial number of the product.

* Indicates a component that is not available as an individual part.

*** Indicates consult Customer Service Department for additional information.

ITEM	PART NO.	1 2 3 4 5	DESCRIPTION	QTY.
1	28757G01		WHEEL AND TIRE ASSEMBLY, LINKS (INCLUDES ITEMS 2, 19, 20)	1
2	28764G01		CARLISLE TIRE (LINKS 18 X 8.5 - 8, 4 PLY RATED).....	1
3				
4	28757G03		WHEEL AND TIRE ASSEMBLY, TURF SAVER (INCLUDES ITEMS 5, 19, 20)..	1
5	28764G03		CARLISLE TIRE (TURF SAVER 18 X 8.5 - 8, 4 PLY RATED).....	1
6				
7	28842G02		WHEEL AND TIRE ASSEMBLY, SURE TRAIL (INCLUDES ITEMS 8, 19, 20)..	1
8	28764G08		CARLISLE TIRE (USA TRAIL LOAD RANGE C)	1
9	28442G01		WHEEL AND TIRE ASSEMBLY (WHITE RIMS) REAR.....	1
			(INCLUDES ITEMS 10, 11, 12)	
10	28442G02		TIRE (TURF SAVER 20 X 10 - 10)	1
11	11657G1		VALVE STEM	1
12	15172G01		WHEEL RIM (4 LUG).....	1
13				
14	615617		HUB CAP ASSEMBLY, GOLD (INCLUDES ITEMS 15, 16)	1
15	615229		HUBCAP GOLD	1
16	603783		CLIP (NOT SHOWN)	4
17	74175G01		DUST CAP	2
18	12091G2		SPINDLE CAP	2
19	28759G01		WHEEL RIM (4 LUG)	1
20	11657G2		VALVE STEM.....	1
21	615228		HUBCAP SILVER.....	1
22	615617		HUB CAP ASSEMBLY, SILVER (INCLUDES ITEMS 21, 16).....	1
23				
24	14723G1		NUT-LUG-ZP, 1/2-20	A/R



CUSHMAN™



E-Z-GO Division of Textron Inc.

1451 Marvin Griffin Road, Augusta, Georgia 30906 - 3852 USA

TO CONTACT US...

North America:

**Technical Assistance & Warranty
Service Parts**

Phone: 1-800-774-3946, FAX: 1-800-448-8124

Phone: 1-888-GET-E-Z-GO (1-888-438-3946), FAX: 1-800-752-6175

International:

Phone: 001-706-798-4311, FAX: 001-706-771-4609

Service Parts Manuals, as well as Repair and Service Manuals
are available from a local Distributor, an authorized Branch,
Genuine E-Z-GO Parts & Accessories Department or at www.shopezgo.com.

ISO 9001
ISO 14001

BUREAU VERITAS
Certification



Copyrighted Material
This manual may not be reproduced in whole or
in part without the express permission of
E-Z-GO Division of Textron Inc.
Technical Communications Department